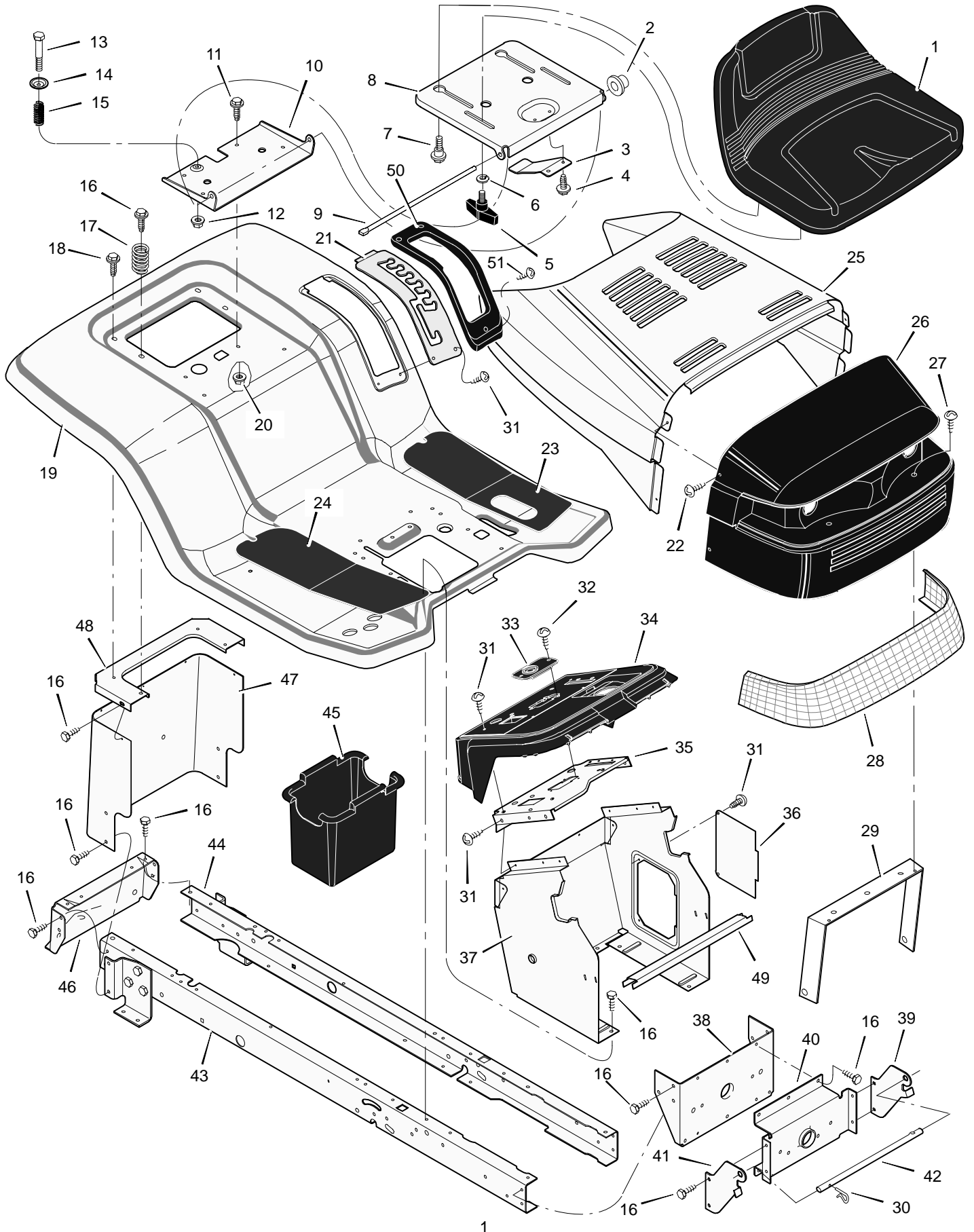


MODEL 42568x50A

REPAIR PARTS CHASSIS & HOOD



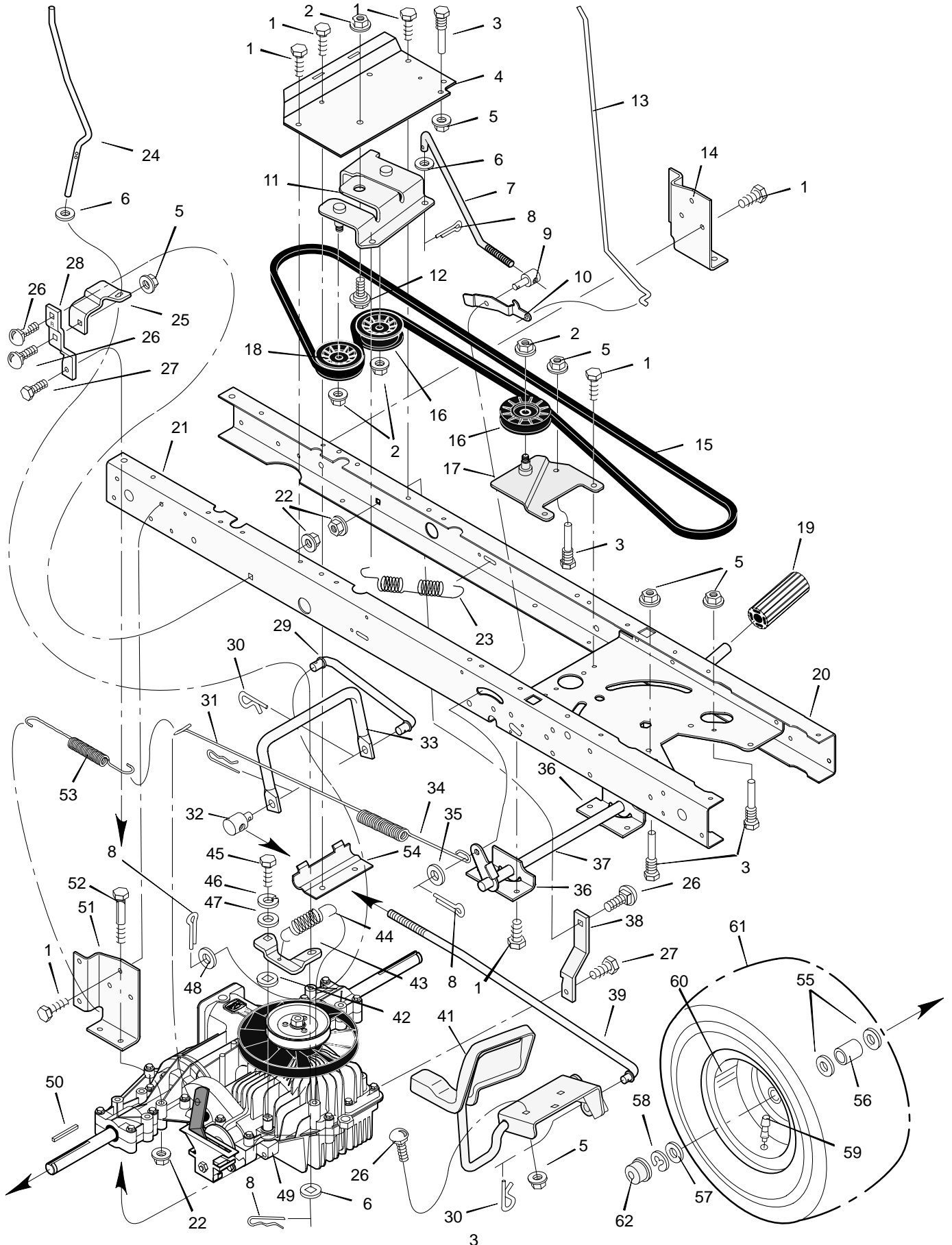
MODEL 42568x50A

REPAIR PARTS CHASSIS & HOOD

Key No.	Description	Part No.	Key No.	Description	Part No.
1	Seat	94803	30	Pin, Hair	31x4
2	Cap, Push On	28x23	31	Screw	26x270
3	Spring	94057	32	Screw	26x238
4	Screw	26x229	33	Bearing, Steering	94219
5	Bolt, Wing	94160	34	Dash	95034
6	Washer	17x47Z	35	Plate, Dash	94221E701
7	Bolt, Shoulder	9x56	36	Panel, Access	93007E717
8	Support, Seat	94154E701	37	Support, Dash	94220E717
9	Rod, Pivot	94156 Z	38	Bracket, Rear Hanger	94013E701
10	Bracket, Pivot	94153E701	39	Support, Left Grille	94213E701
11	Bolt	1x45	40	Axle, Hanger	94007E701
12	Nut	15x89	41	Support, Right Grille	94212E701
13	Bolt, Shoulder	9x55	42	Rod, Pivot	93137Z
14	Washer	94155Z	43	Frame, Right	94000E701
15	Spring	164x31	44	Frame, Left	94001E701
16	Screw	26x249	45	Container, Battery	94069
17	Screw	26x263	46	Plate, Hitch	94002E717
18	Spring	164x30	47	Panel, Rear	94187E717
19	Deck, Seat	94489E245	48	Plate, Rear	94186
20	Nut	15x88	49	Channel	94222E701
21	Plate, Index	94886E701	50	Cover	94490
22	Screw	9x47	51	Screw	26x284
23	Mat, Left	95437	—	Decal, Right Hood	44x6853
24	Mat, Right	95438	—	Decal, Left Hood	44x6854
25	Hood	93215E245	—	Decal, Warning	44x6815
26	Grille Assembly (Includes Lens)	93243E717	—	Book, Instruction	F-97809
27	Screw	26x239	—	Book, Instruction	F-97810
28	Lens	93139	—	Parts List	F-97811
29	Brace, Grille	93190			

MODEL 42568x50A

REPAIR PARTS MOTION DRIVE



MODEL 42568x50A

REPAIR PARTS MOTION DRIVE

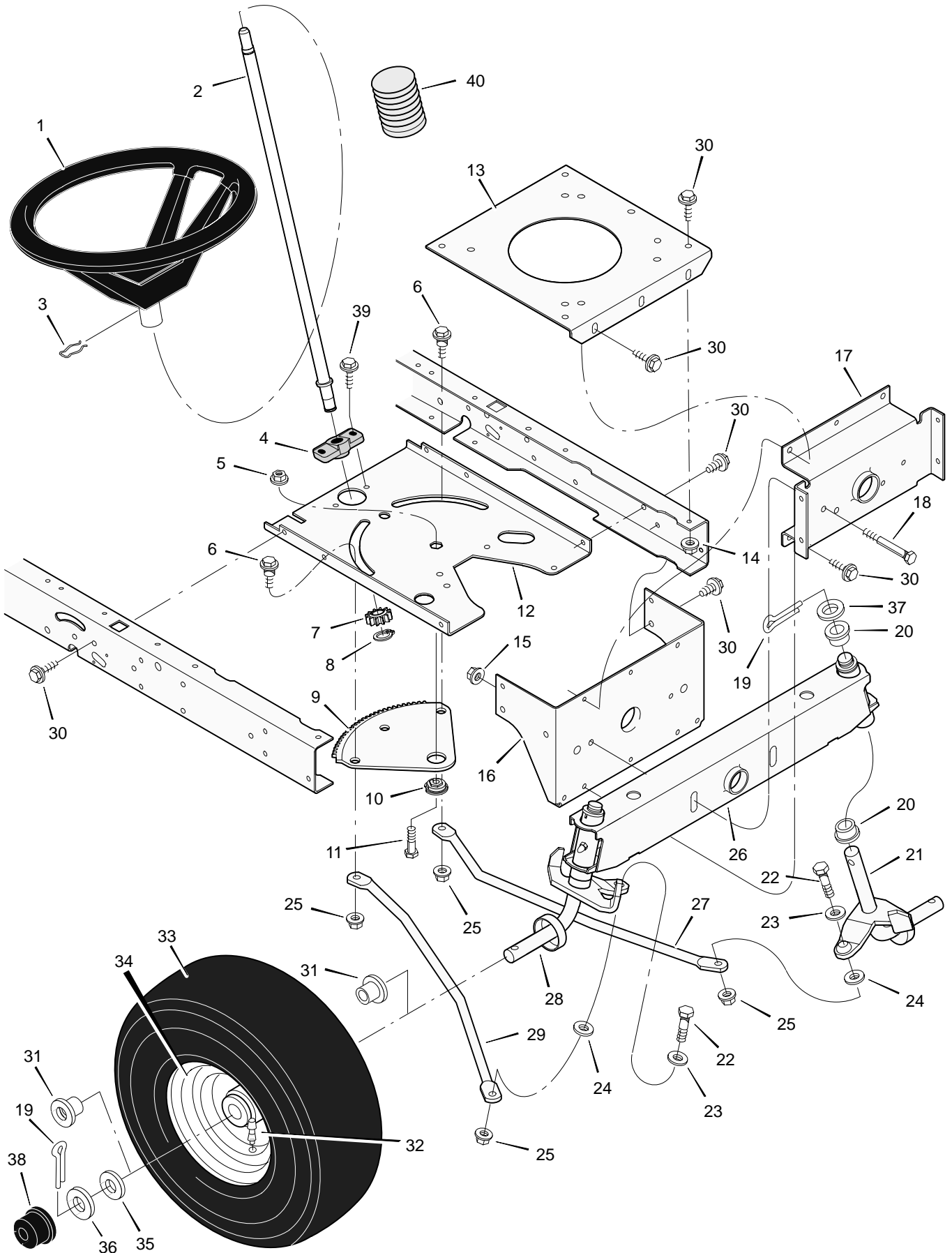
Key No.	Description	Part No.	Key No.	Description	Part No.
1	Screw	26x249	32	Nut, Adjuster	92132
2	Nut, Flange	15x84	33	Rod, Yoke	94425E701
3	Guide, Belt	93349	34	Spring, Extension	165x115
4	Bracket, Idler	94431E701	35	Washer	17x53
5	Locknut	15x79	36	Bracket, Pivot	94035E701
6	Washer	17x47 Z	37	Lever, Clutch/Brake	94038E701
7	Rod, Clutch	94417 Z	38	Strap, Left Torque	94433E701
8	Pin, Cotter	30x20	39	Rod, Link	94424
9	Adjuster	94646	41	Pedal, Speed Control	94422E701
10	Latch, Parking Brake	94045 Z	42	Washer	17x148
11	Bracket Assembly, Idler	94411 Z	43	Arm, Disconnect	94430 Z
12	Bolt, Shoulder	9x39	44	Spring	165x112
13	Rod, Parking Brake	94152 Z	45	Bolt	1x145
14	Bracket, Transaxle	94185E701	46	Lockwasher	18x32
15	Belt	37x61	47	Washer	17x180
16	Pulley, Idler	91179	48	Washer	17x151
17	Arm Assembly, Idler	94409E701	49	Transaxle * *	* *
18	Pulley, Idler	91178	50	Key, Square	21553
19	Pedal	21544	51	Bracket, Right Transaxle	94184E701
20	Frame, Left	94001E701	52	Bolt	1x155
21	Frame, Right	94000E701	53	Spring, Extension	165x92
22	Nut, Flange	15x88	54	Clamp, Transaxle	94434E701
23	Spring, Extension	165x123	55	Washer	17x160
24	Rod, Disconnect	94428 Z	56	Spacer	87x105
25	Bracket, Disconnect	94429E701	57	Washer	17x195
26	Bolt, Carriage	2x53	58	E-Ring	11x3
27	Screw	26x216	59	Valve Stem	24373
28	Strap, Right Torque	94432E701	60	Wheel & Tire Assembly	92290-601
29	Rod, Link	94426E701	61	Tire *	92374
30	Pin, Hair	31x4	—	Tube	407049
31	Pin, Hair	31x6	62	Cap, Hub (Optional)	94618

* When you order a tire, make sure to give the brand name of the tire so that the tread pattern on the tire will match.

** For information on Replacement Parts see the Central Parts Distributor in your area.

MODEL 42568x50A

REPAIR PARTS STEERING



MODEL 42568x50A

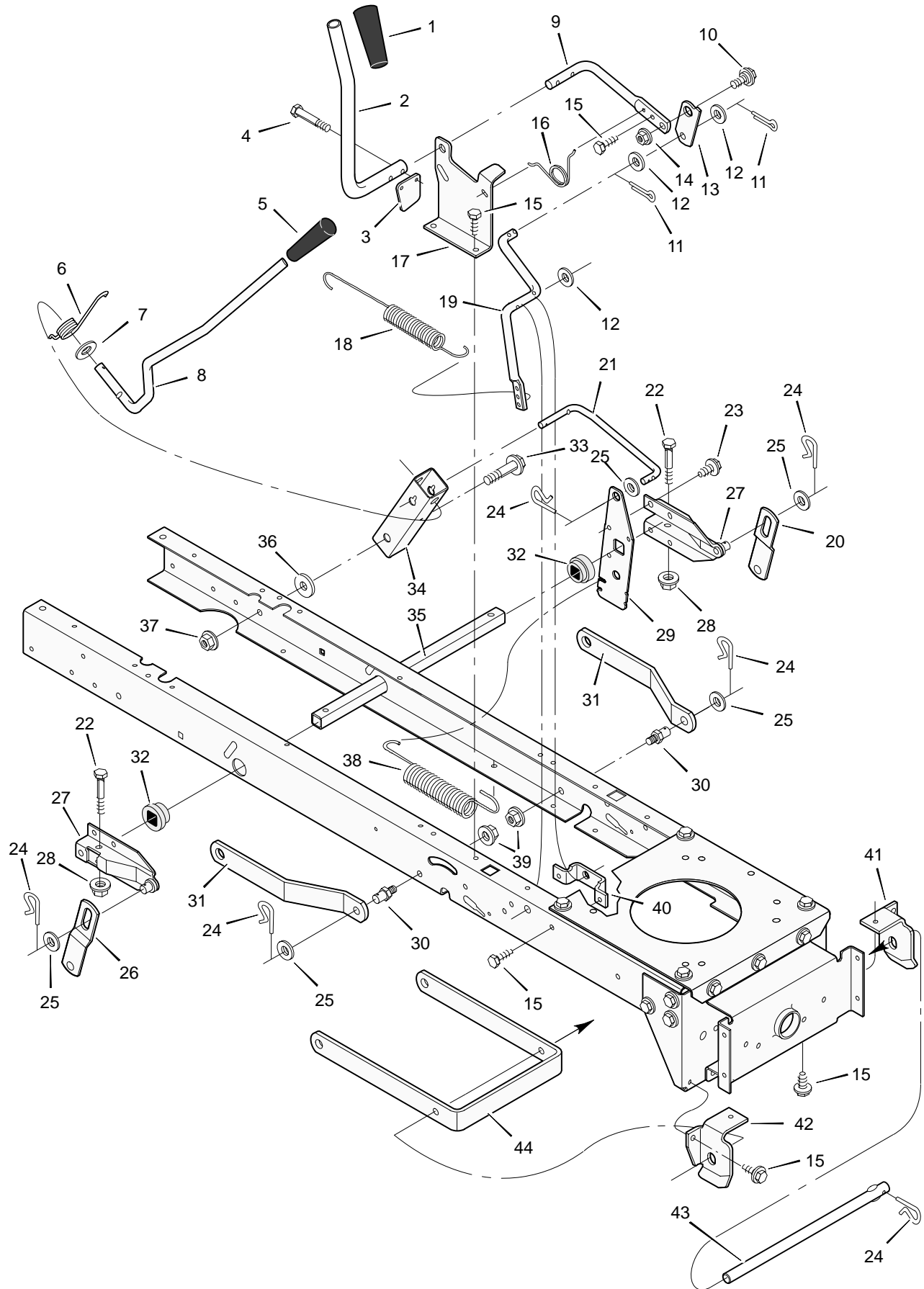
REPAIR PARTS STEERING

Key No.	Description	Part No.
1	Wheel, Steering	95442
2	Post, Steering	94127
3	Clip, Retainer	94131
4	Bearing	94124
5	Nut, Flange	15x113
6	Bolt, Shoulder	9x57
7	Gear, Pinion	94122
8	Ring, Snap	11x25
9	Gear, Sector	94121
10	Bearing	94123
11	Bolt	1x84
12	Plate, Steering	94003E701
13	Plate, Engine	94006E701
14	Nut, Flange	15x88
15	Nut, Flange	15x118
16	Bracket, Hanger	94013E701
17	Axle, Hanger	94007E701
18	Bolt	1x146
19	Pin, Cotter	30x49
20	Bearing	92527
21	Spindle Assembly, Left	94576E701
22	Bolt	1x111
23	Washer	17x104
24	Washer	17x53
25	Nut, Flange	15x84
26	Axle Assembly	94012E701
27	Drag Link, Left	94021E701
28	Spindle Assembly, Right	94575E701
29	Drag Link, Right	94020E701
30	Screw	26x249
31	Bearing, Wheel	91334
32	Stem, Valve	24373
33	Tire *	91912
—	Tube	407047
34	Wheel and Tire Assembly	94579-601
35	Washer	17x195
36	Washer	17x192
37	Washer	17x113
38	Hub Cap (Optional)	94618
39	Screw	26x267
40	Bellows (Optional)	54789

* When you order a tire, make sure to give the brand name of the tire so that the tread pattern on the tire will match.

MODEL 42568x50A

REPAIR PARTS MOWER HOUSING SUSPENSION



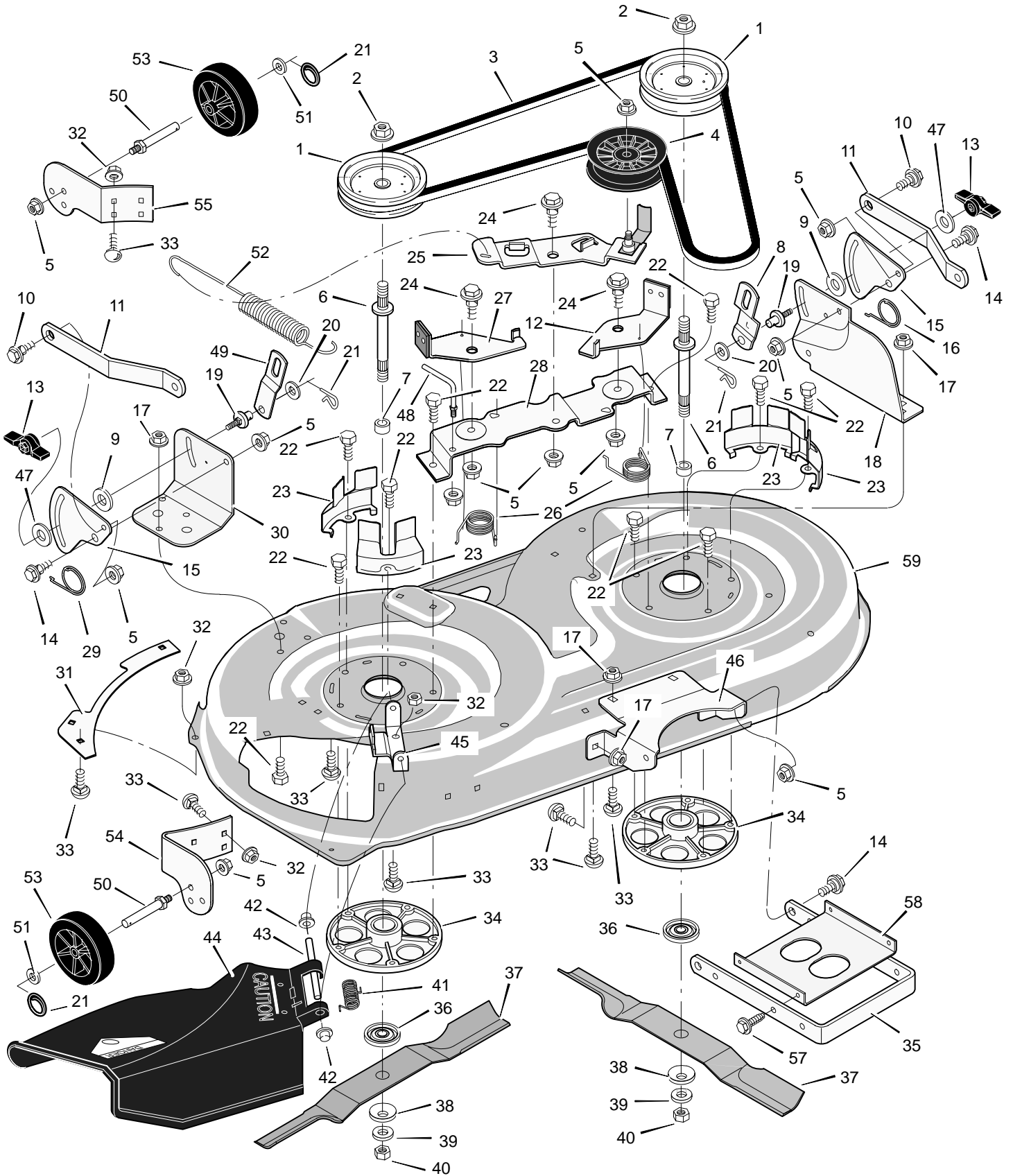
MODEL 42568x50A

REPAIR PARTS MOWER HOUSING SUSPENSION

Key No.	Description	Part No.	Key No.	Description	Part No.
1	Grip	92698	23	Screw	26x49
2	Handle, PTO	94217Z	24	Pin, Hair	31x4
3	Pad, Switch	94022E701	25	Washer	17x91Z
4	Bolt	25x3	26	Link, Right Lift	94053E701
5	Grip	92697	27	Lever Assembly, Lift	94180E701
6	Spring	166x40	28	Nut, Flange	15x118
7	Washer	17x103	29	Plate, Lift Arm	94030E701
8	Lever, Lift	94195Z	30	Pin	94067
9	Lever, PTO	94017Z	31	Bracket, Rear Suspension	94055E701
10	Bolt, Shoulder	9x39	32	Bushing	94065
11	Pin, Cotter	30x20	33	Bolt, Shoulder	9x53
12	Washer	17x57	34	Bracket, Pivot	94015E701
13	Link, PTO	94004Z	35	Tube, Deck Lift	94063E701
14	Nut, Flange	15x84	36	Washer	17x191
15	Screw	26x249	37	Nut, Flange	15x84
16	Spring	166x39	38	Spring	165x117
17	Bracket, PTO	94018	39	Nut, Flange	15x68
18	Spring	165x119	40	Bracket, PTO	94005E701
19	Crank, PTO	94019 D	41	Hanger, Left Deck	94027E701
20	Link, Left Lift	94611E701	42	Hanger, Right Deck	94026E701
21	Link, Lift	94028E701	43	Rod, Hanger	94158Z
22	Bolt	1x74	44	Bracket, Suspension	94058E701

MODEL 42568x50A

REPAIR PARTS MOWER HOUSING



MODEL 42568x50A

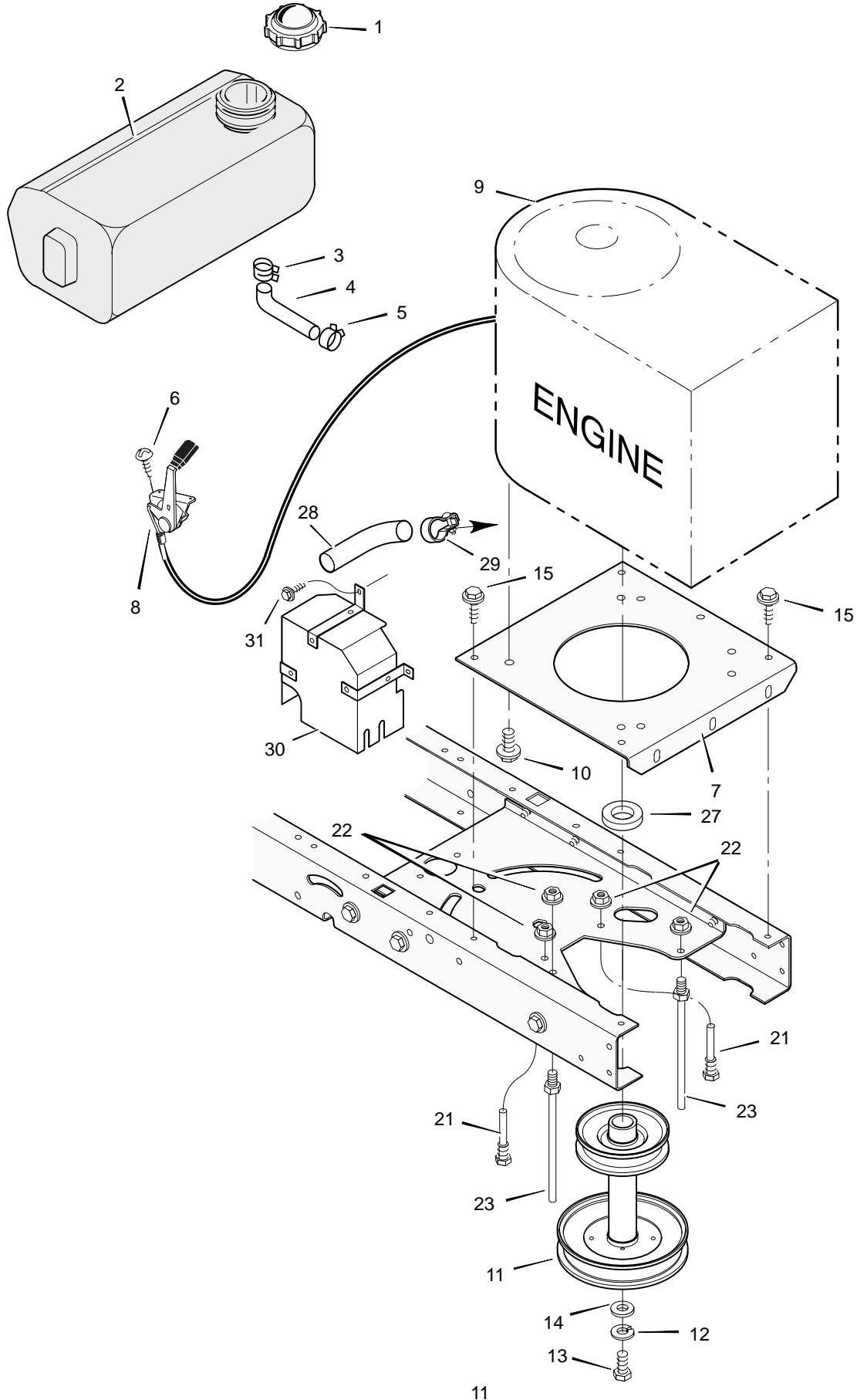
REPAIR PARTS MOWER HOUSING

Key No.	Description	Part No.	Key No.	Description	Part No.
1	Pulley, Jackshaft	94199	31	Plate	92426E701
2	Nut, Hex	15x121	32	Nut, Flange	15x88
3	Belt, Mower Drive	37x88	33	Bolt, Carriage	2x53
4	Pulley, Idler	91801	34	Mandrell Housing	92574
5	Nut, Flange	15x84	35	Bracket, Suspension	94058E701
6	Jackshaft	94129	36	Adapter, Blade	92466
7	Spacer	94130	37	Blade	92419E701
8	Link, Left Lift	94053E701	38	Washer	17x166
9	Pad, Friction	94137	39	Washer	17x165
10	Bolt, Shoulder	9x52	40	Nut	15x100
11	Bracket, Suspension	94055E701	41	Spring	166x4
12	Pad Assembly, Left Brake	94049	42	Cap, Push On	28x23
13	Knob	94068	43	Rod, Pivot	91767 Z
14	Bolt, Shoulder	9x51	44	Deflector	94707
15	Plate, Suspension	94128E701	45	Bracket, Deflector Hinge	91765E701
16	Spring	166x43	46	Bracket, Front Hanger	94190E701
17	Nut, Flange	15x79	47	Washer	17x45
18	Bracket, Suspension	94192E701	48	Guide, Belt	94781
19	Pin, Hanger	94064	49	Link, Right Lift	94611E701
20	Washer	17x103	50	Bolt, Axle	94025
21	Ring, Locking	31x11	51	Washer	17x91 Z
22	Bolt	25x7	52	Spring, Extension	165x119
23	Cover, Pulley	94051E701	53	Wheel, Gage	92683
24	Bolt, Shoulder	9x39	54	Bracket, Right Wheel	92422E701
25	Arm, Idler	94177E701	55	Bracket, Left Wheel	92423E701
26	Spring	166x41	56	Brace, Hanger	94604E701
27	Pad Assembly, Right Brake	94047	57	Screw	26x249
28	Bracket, Brake	94193E701	58	Stiffener	94604E701
29	Spring	166x42	59	Housing, Blade *	94188E701
30	Bracket, Suspension	94191E701	1-59	Complete Mower Housing Assembly	776007

* Includes Key No. 17, 18, 30, 31, 32, 33, 45, 46, 53, 54, 55, and 56.

MODEL 42568x50A

REPAIR PARTS ENGINE MOUNT



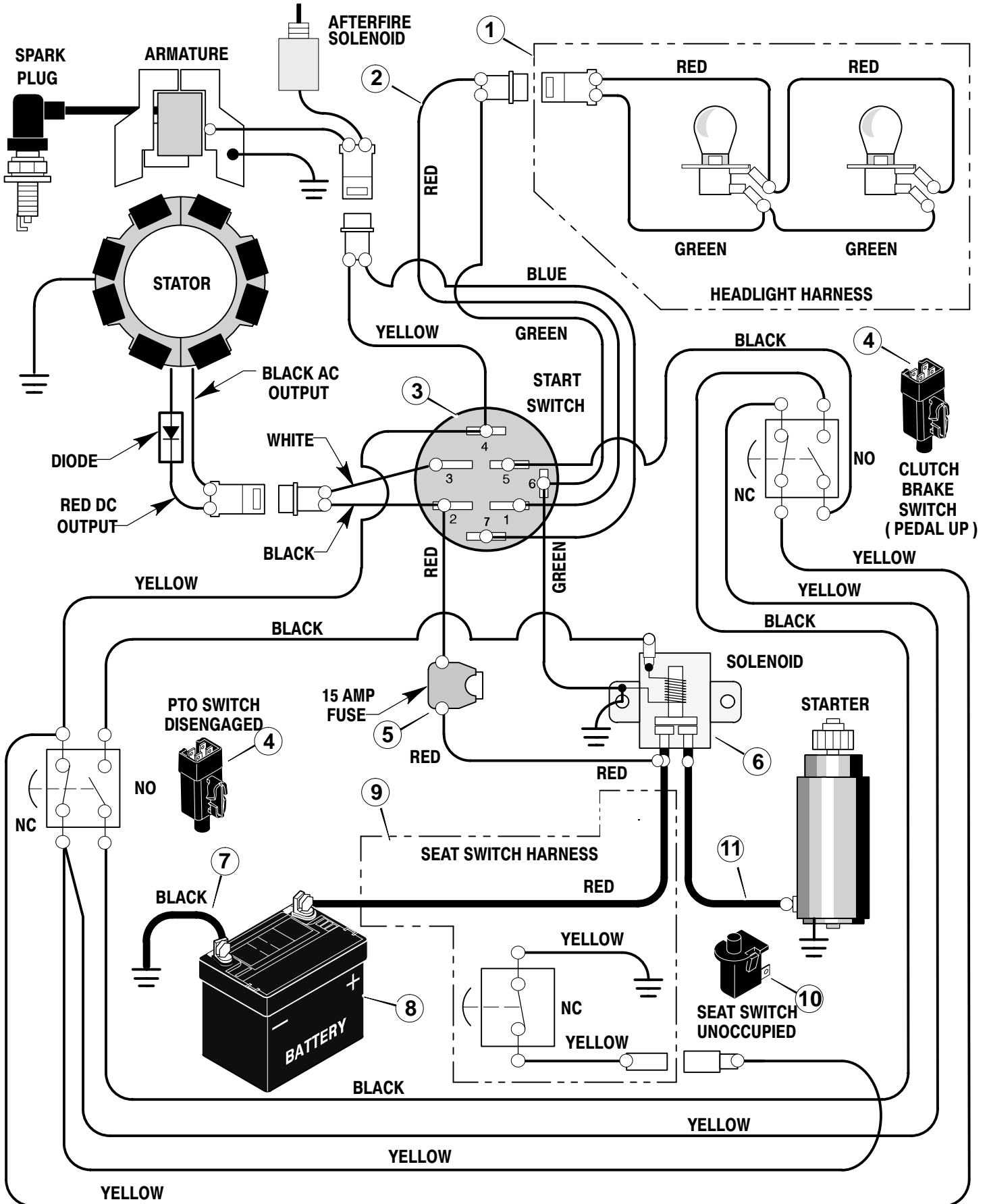
MODEL 42568x50A

REPAIR PARTS ENGINE MOUNT

Key No.	Description	Part No.
1	Fuel Cap	92317
2	Fuel Tank	92597
3	Hose Clamp	91174
4	Fuel Line	90671
5	Hose Clamp	91174
6	Screw	26x201
7	Plate, Engine	94006E701
8	Throttle Control	92371
9	Engine	—
10	Bolt, Engine Mount	25x7
11	Stack Pulley Assembly	94407Z
12	Lockwasher	19x35
13	Bolt, Hex	1x140
14	Washer	17x170
15	Screw	26x249
21	Guide, Belt	93349Z
22	Nut, Flange	15x79Z
23	Guide, Belt	94066Z
27	Spacer	93077
28	Pipe, Exhaust	92855
29	Clamp	92558
30	Shield, Heat	92550 SE
31	Screw	26x263

MODEL 42568x50A

REPAIR PARTS ELECTRICAL SYSTEM



MODEL 42568x50A

REPAIR PARTS ELECTRICAL SYSTEM

Key No.	Description	Part No.
1	Harness, Light Wire	250x68
	Socket, Light	92372
	Bulb, Light	90084
2	Harness, Chassis Wire	250x76
3	Switch, Ignition	92556
	Key, Ignition	20729
	Nut, Hex	91489
	Cap, Ignition	91488
4	Switch, Limit	94136
5	Fuse	54212
	Holder, Fuse	407078
6	Solenoid	94613
	Screw, Mounting	26x229
	Locknut	15x116
7	Cable, Battery Ground	24x32
	Screw, Ground Cable	26x213
8	Battery	21075
	Acid, Battery (Electrolyte)	93292
	Bolt, Carriage	2x82
	Wingnut	14x79
9	Harness, Seat Switch Wire	250x67
10	Switch, Seat Sensor	94159
11	Cable	24x31