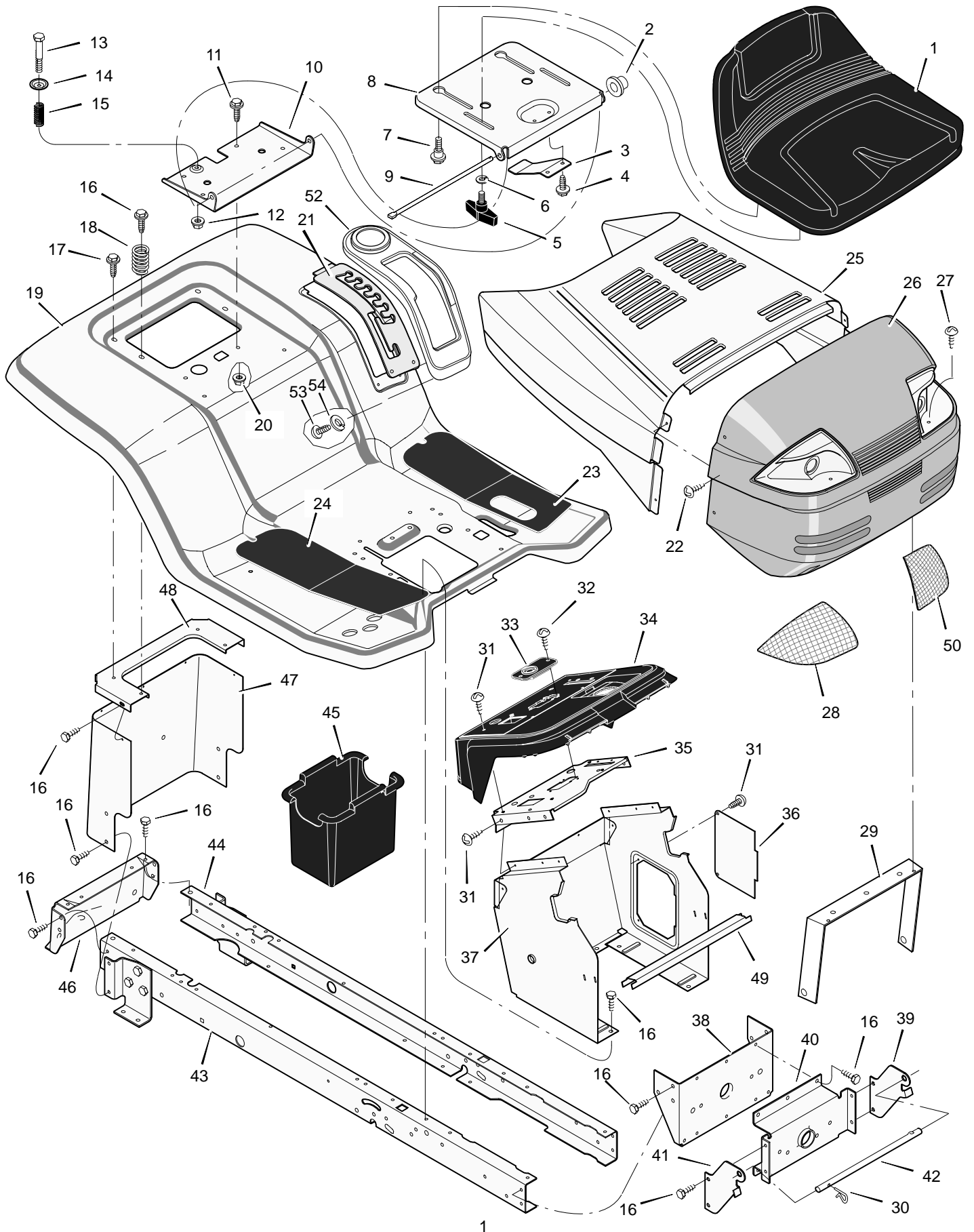


# MODEL 425602x50A

# REPAIR PARTS CHASSIS AND HOOD



# MODEL 425602x50A

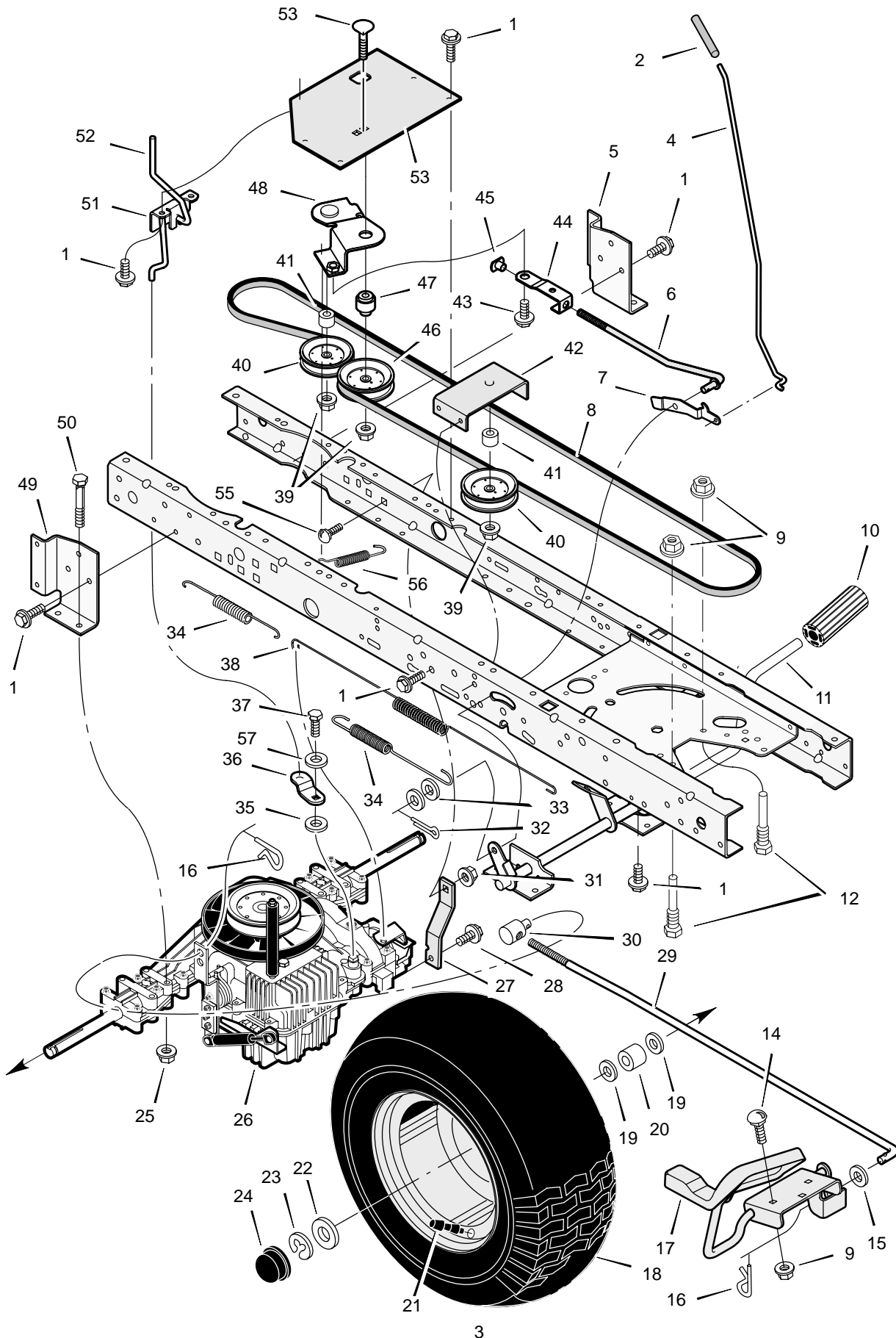
# REPAIR PARTS CHASSIS AND HOOD

Key No.	Description	Part No.	Key No.	Description	Part No.
1	Seat	095236	28	Lens, Right **	092539
2	Cap, Push On	028x23	29	Brace, Grille **	092541
3	Spring	094057	30	Pin, Hair	0031x4
4	Screw	26x229	31	Screw	26x270
5	Bolt, Wing	1001054	32	Screw	26x238
6	Washer	017x47	33	Bearing, Steering	094219
7	Bolt, Shoulder	009x56	34	Dash (Grey)	095034
8	Support, Seat	094154E700	35	Plate, Dash	094221E700
9	Rod, Pivot	094156 Z	36	Panel, Access	093007E700
10	Bracket, Pivot	094153E700	37	Support, Dash	095082E700
11	Bolt	001x45	38	Bracket, Rear Hanger	1001270E700
12	Nut	015x89	39	Support, Left Grille	1001498E700
13	Bolt, Shoulder	009x55	40	Axle, Hanger	094007E700
14	Washer	094155 Z	41	Support, Right Grille	1001497E700
15	Spring	164x31	42	Rod, Pivot	093137 Z
16	Screw	26x249	43	Frame, Right	1001268E701
17	Screw	26x263	44	Frame, Left	1001269E701
18	Spring	164x30	45	Container, Battery	690424
19	Deck, Seat	094629E245	46	Plate, Hitch	1001002E700
20	Nut	015x88	47	Plate, Rear	690218E700
21	Plate, Index	094886E700	48	Top, Rear Plate	094186E700
22	Screw	009x47	49	Channel	095081E700
23	Mat, Left	095437	50	Lens, Left **	092540
24	Mat, Right	095438	52	Cover, Detent (with cup holder)	094491
25	Hood	093215E245	53	Screw	26x284
26	Grille Assembly (Includes Lens)	094869	54	Washer	17x204
27	Screw **	26x239	—	Instruction Book & Parts List	F-020751L

\*\* These parts are included with Key number 26.

# MODEL 425602x50A

# REPAIR PARTS DRIVE ASSEMBLY



# MODEL 425602x50A

# REPAIR PARTS DRIVE ASSEMBLY

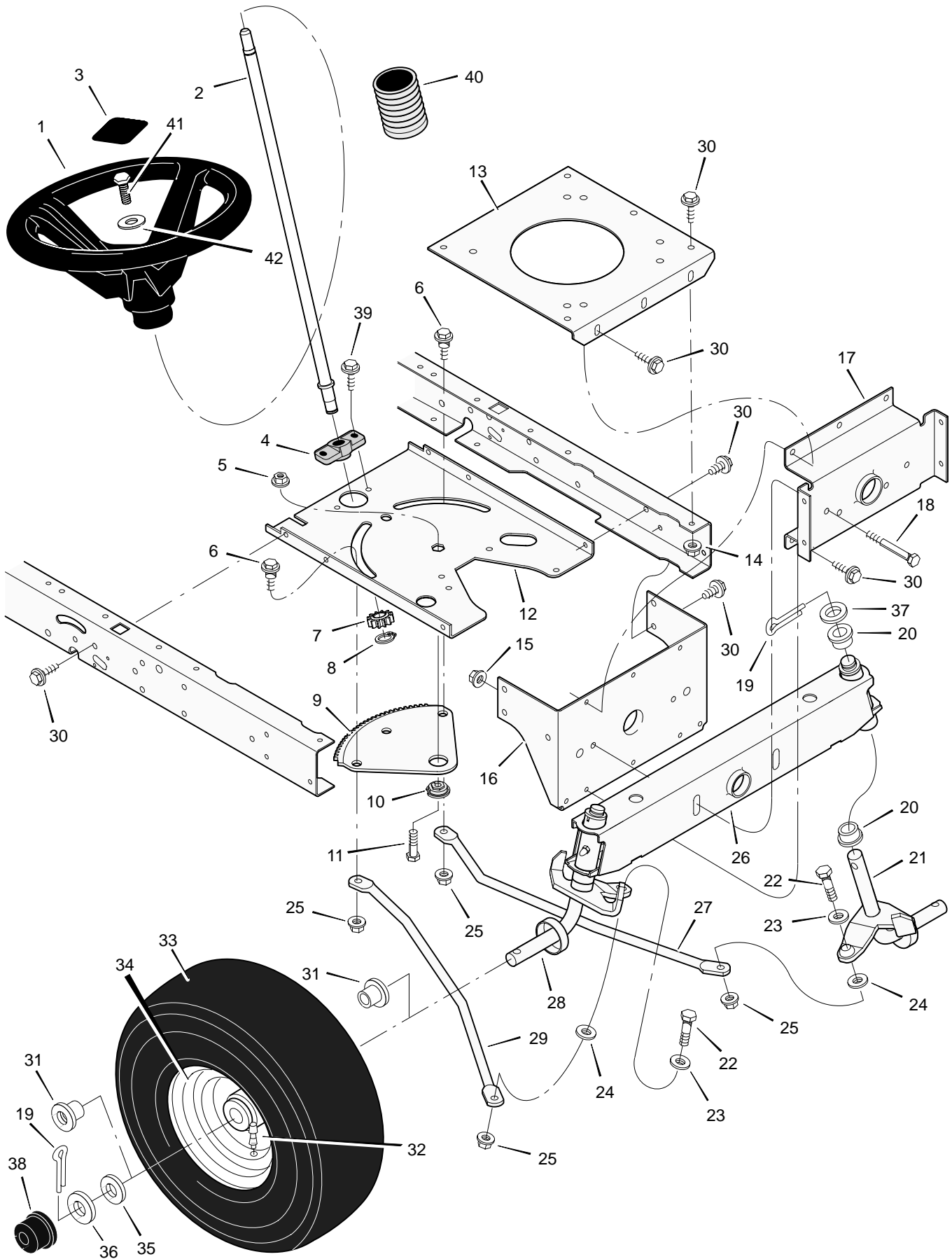
Key No.	Description	Part No.	Key No.	Description	Part No.
1	Screw	26x249	30	Nut, Adjusting	092132
2	Grip, Parking Brake	091079	31	Nut, Centerlock	015x84
4	Rod, Parking Brake	1001271 Z	32	Pin, Cotter	030x20
5	Bracket, Left Transaxle	094185E700	33	Washer	017x48
6	Rod, Clutch	1001013 Z	34	Spring, Extension	165x92
7	Latch, Parking Brake	094045 Z	35	Washer	17x148
8	V-Belt, Drive	37x106	36	Arm, Disconnect	1001086 Z
9	Nut, Flange	015x79	37	Capscrew	06x105
10	Pedal, Brake/Clutch	021544	38	Spring, Brake	165x150
11	Assembly, Brake Pedal	1001011E700	39	Locknut, Flange	015x98
12	Screw, Guide	094384	40	Pulley, Idler	690409
14	Bolt, Carriage	002x53	41	Spacer	690369
15	Washer	017x57	42	Bracket, Idler Assembly	1001097
16	Pin, Hair	0031x4	43	Bolt, Shoulder	009x49
17	Pedal Assembly, Hydro	1001231E700	44	Link, Clutch	1001007 Z
18	Wheel & Tire Ass'y, Rear	092300-601	45	Nut, Tee	1001014
--	Tire ONLY *	024430	46	Pulley, Idler	690410
--	Tube ONLY	407049	47	Bushing, Pivot	1001012
19	Washer	17x160	48	Arm Assembly, Idler	1001018 Z
20	Spacer	690554 Z	49	Bracket, Right Transaxle	094184E700
21	Stem, Valve	024373	50	Bolt, Hex	01x155
22	Washer	17x195	51	Bracket, Disconnect	1001214 Z
23	E-Ring	0011x3	52	Rod, Disconnect	1001215 Z
24	Cap, Hub	094618	53	Bracket, Idler Pivot	1001108
25	Nut, Centerlock	015x88	54	Bolt, Carriage	002x92
26	Transaxle	**	55	Bolt, Carriage	002x78
27	Strap, Torque	1001085	56	Spring, Clutch	165x155
28	Screw	26x216	57	Washer	017x38
29	Rod, Control	1001234 Z			

\* When you order a tire, make sure to give the brand name of the tire so that the tread pattern on the tire will match.

\*\* For information on Replacement Parts see the Central Parts Distributor in your area.

# MODEL 425602x50A

# REPAIR PARTS STEERING



# MODEL 425602x50A

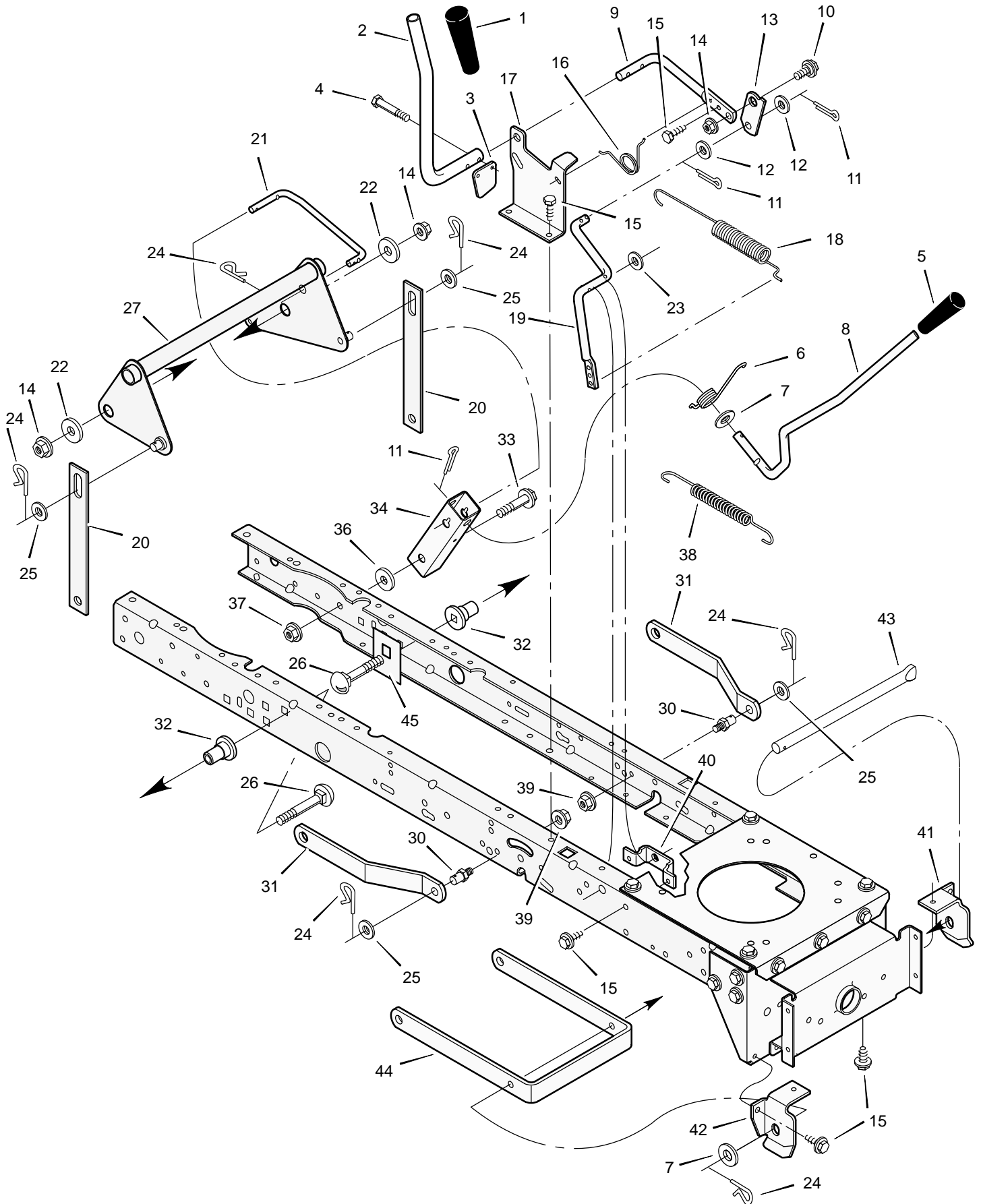
# REPAIR PARTS STEERING

Key No.	Description	Part No.	Key No.	Description	Part No.
1	Wheel, Steering	095184	23	Washer	17x104
2	Post, Steering	690626	24	Washer	017x53 Z
3	Insert, Steering Wheel	711325	25	Nut, Flange	015x84
4	Bearing	094124	26	Axle Assembly	1001460E700
5	Nut, Flange	15x111	27	Drag Link, Left	095329E700
6	Bolt, Shoulder	009x57	28	Spindle Assembly, Right	094575E700
7	Gear, Pinion	690183E700	29	Drag Link, Right	095328E700
8	Ring, Snap	011x25	30	Screw	26x249
9	Gear, Sector	094121E700	31	Bearing, Wheel	091334
10	Bearing	094123	32	Stem, Valve	024373
11	Bolt	001x84	33	Tire *	024380
12	Plate, Steering	1001121E700	—	Tube	407924
13	Plate, Engine	094006E700	34	Wheel and Tire Assembly	094581-601
14	Nut, Flange	015x88	35	Washer	17x195
15	Nut, Flange	15x118	36	Washer	17x192
16	Bracket, Hanger	1001270E700	37	Washer	17x113
17	Axle, Hanger	094007E700	38	Hub Cap	094618
18	Bolt	01x146	39	Screw	26x267
19	Pin, Cotter	030x49	40	Bellows	092059
20	Bearing	690150	41	Bolt	0025x3
21	Spindle Assembly, Left	094576E700	42	Washer	17x146
22	Bolt	01x111			

\* When you order a tire, make sure to give the brand name of the tire so that the tread pattern on the tire will match.

# MODEL 425602x50A

# REPAIR PARTS MOWER HOUSING SUSPENSION



# MODEL 425602x50A

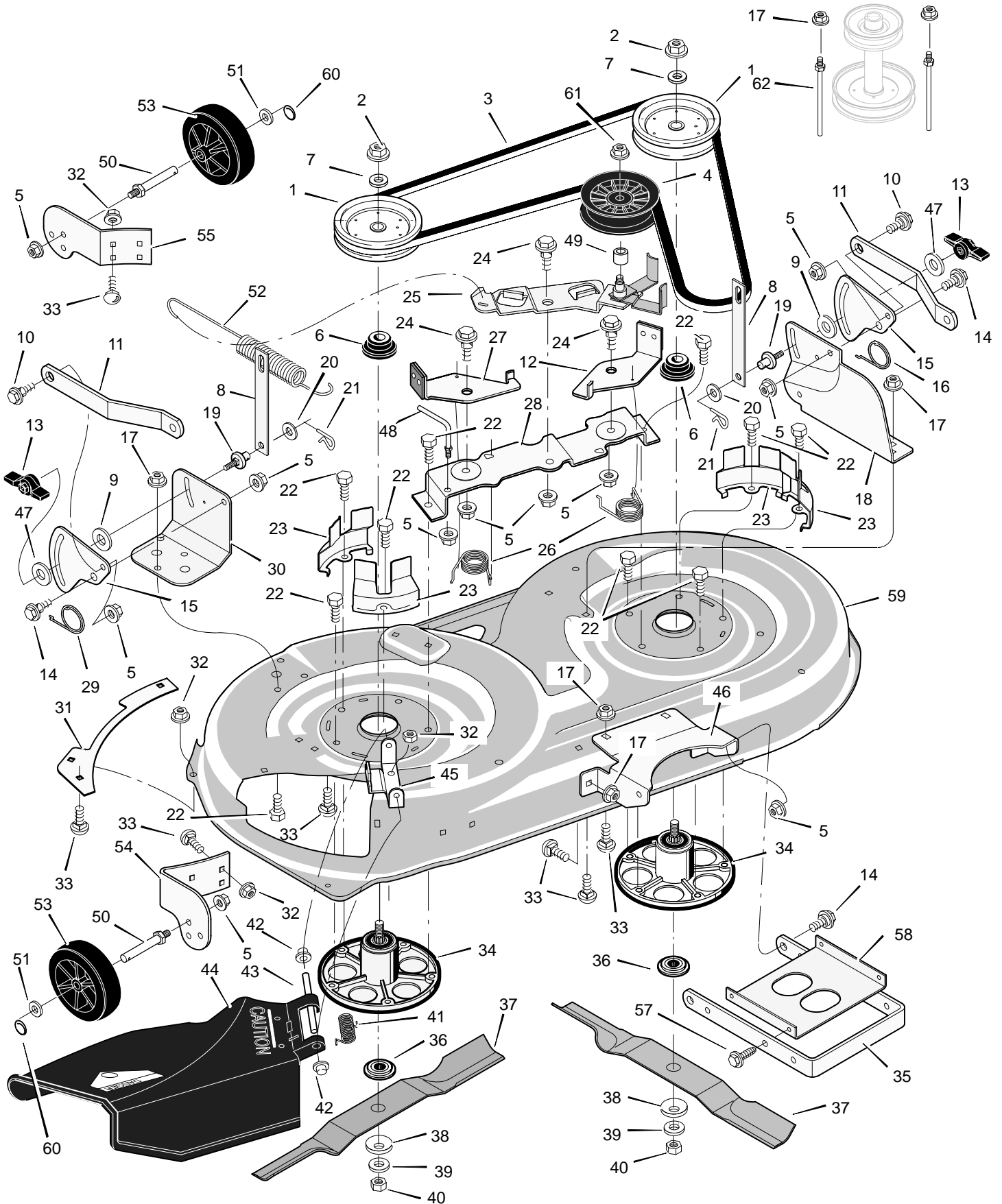
# REPAIR PARTS MOWER HOUSING SUSPENSION

Key No.	Description	Part No.	Key No.	Description	Part No.
1	Grip, PTO	094928	23	Washer	017x57
2	Handle, PTO	094217 Z	24	Pin, Hair	0031x4
3	Pad, Switch	094022 Z	25	Washer	017x91
4	Bolt	0025x3	26	Bolt, Carriage	002x85
5	Grip	092697	27	Lever Assembly, Lift	1001111E700
6	Spring	166x40	30	Pin	094067
7	Washer	17x103	31	Bracket, Rear Suspension	094055E700
8	Handle, Lift	690533	32	Spacer, Lifter	690151
9	Lever, PTO	094017 Z	33	Bolt, Shoulder	009x53
10	Bolt, Shoulder	009x39	34	Bracket, Pivot	094015E700
11	Pin, Cotter	030x20	36	Washer	17x191
13	Link, PTO	094004 Z	37	Nut, Flange	015x84
14	Nut, Flange	015x84	38	Spring	165x131
15	Screw	26x249	39	Nut, Flange	015x68
16	Spring	166x39	40	Bracket, PTO	094005E700
17	Bracket, PTO	094018E700	41	Hanger, Left Deck	094027E700
18	Spring	165x119	42	Hanger, Right Deck	094026E700
19	Crank, PTO	690394E700	43	Rod, Hanger	094158Z
20	Link, Lift	690212E700	44	Bracket, Suspension	690539E700
21	Link, Lift Handle	690122E700	45	Plate, Stiffening	1001098E700
22	Washer	17x168			



# MODEL 425602x50A

# REPAIR PARTS MOWER HOUSING



# MODEL 425602x50A

# REPAIR PARTS MOWER HOUSING

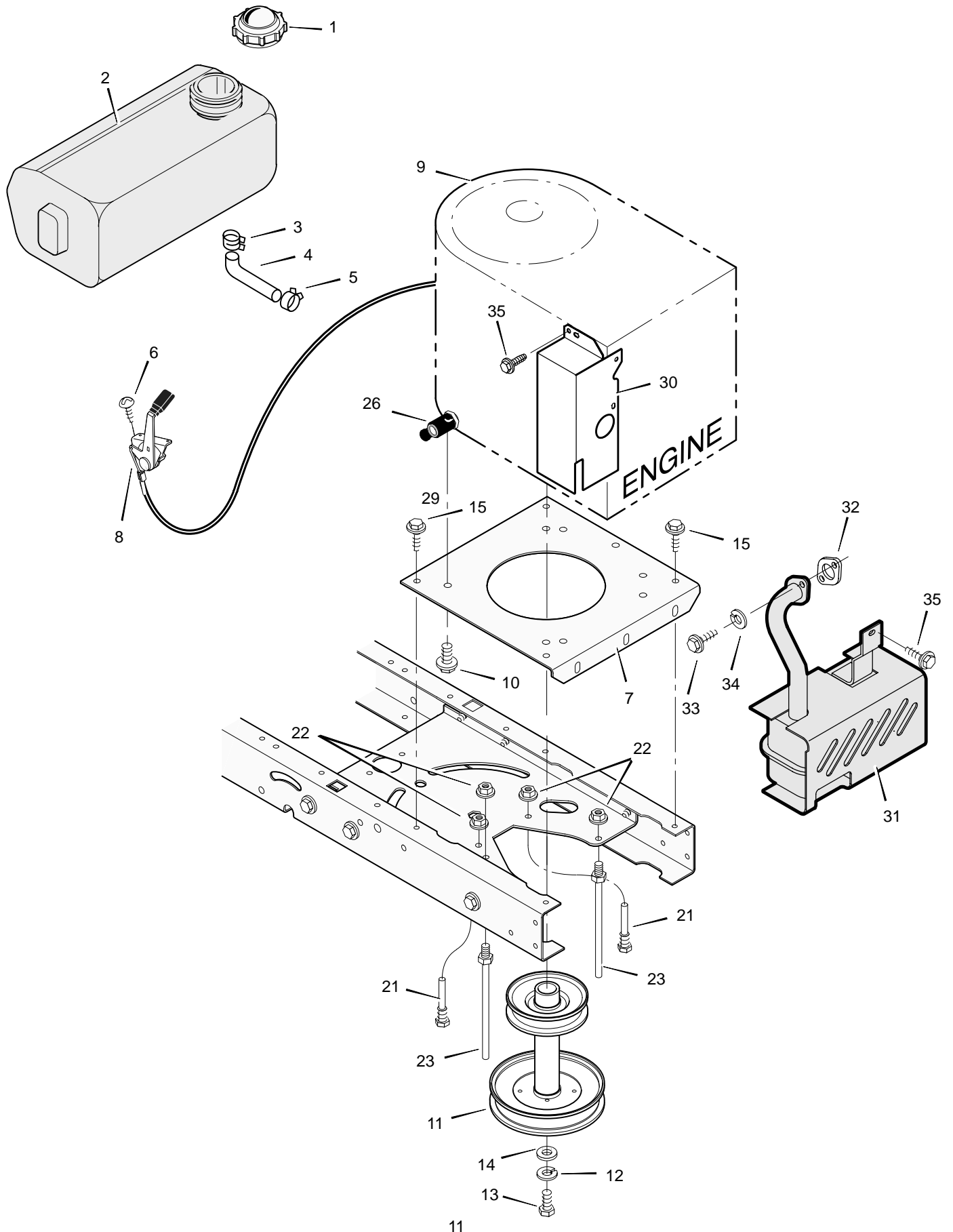
Key No.	Description	Part No.	Key No.	Description	Part No.
1	Pulley, Jackshaft	094199	32	Nut, Flange	015x88
2	Nut, Hex	15x121	33	Bolt, Carriage	002x53
3	Belt, Mower Drive	037x88	34	Mandrell Housing	1001200
4	Pulley, Idler	690387	35	Bracket, Suspension	690539E700
5	Nut, Flange	015x84	36	Adapter, Blade	690411
6	Spacer, Pulley **	1001197	37	Blade	095100E701
7	Washer	017x87	38	Washer	17x166
8	Link, Lift	690212E700	39	Washer	17x165
9	Pad, Friction	094137	40	Nut	15x100
10	Bolt, Shoulder	009x52	41	Spring	166x4
11	Bracket, Suspension	094055E700	42	Cap, Push On	028x23
12	Pad Assembly, Left Brake	094049E700	43	Rod, Deflector	094957 Z
13	Knob	094068	44	Deflector Assembly	094707 SE
14	Bolt, Shoulder	009x51	45	Bracket, Deflector Hinge	094956E700
15	Plate, Suspension	094128E700	46	Bracket, Front Hanger	094686E701
16	Spring	166x43	47	Washer	017x45
17	Nut, Flange	015x79	48	Guide, Belt	094781
18	Bracket, Suspension	094192E700	49	Spacer	690369
19	Pin, Hanger	095194	50	Bolt, Axle	094025
20	Washer	017x91	51	Washer	017x91
21	Pin, Hair	0031x4	52	Spring, Extension	165x119
22	Bolt	0025x7	53	Wheel, Gage	092683
23	Cover, Pulley	094051E700	54	Bracket, Right Wheel	1001260E700
24	Bolt, Shoulder	009x39	55	Bracket, Left Wheel	092423E700
25	Arm, Idler	690408E700	57	Screw	26x249
26	Spring	166x41	58	Stiffener	094604E700
27	Pad Assembly, Right Brake	094047E700	59	Housing, Blade *	094814E700
28	Bracket, Brake	094193E700	60	Ring, Locking	031x11
29	Spring	166x42	61	Nut, Flange	015x98
30	Bracket, Suspension	094191E700	1-61	Complete Mower Housing Assembly	776007
31	Plate	092426E700	62	Guide, Belt	094066

\* Includes Key No. 17, 18, 30, 31, 32, 33, 45, 46, 53, 54, 55, and 56.

\* This part is included when ordering Key number 34.

# MODEL 425602x50A

# REPAIR PARTS ENGINE MOUNT



# MODEL 425602x50A

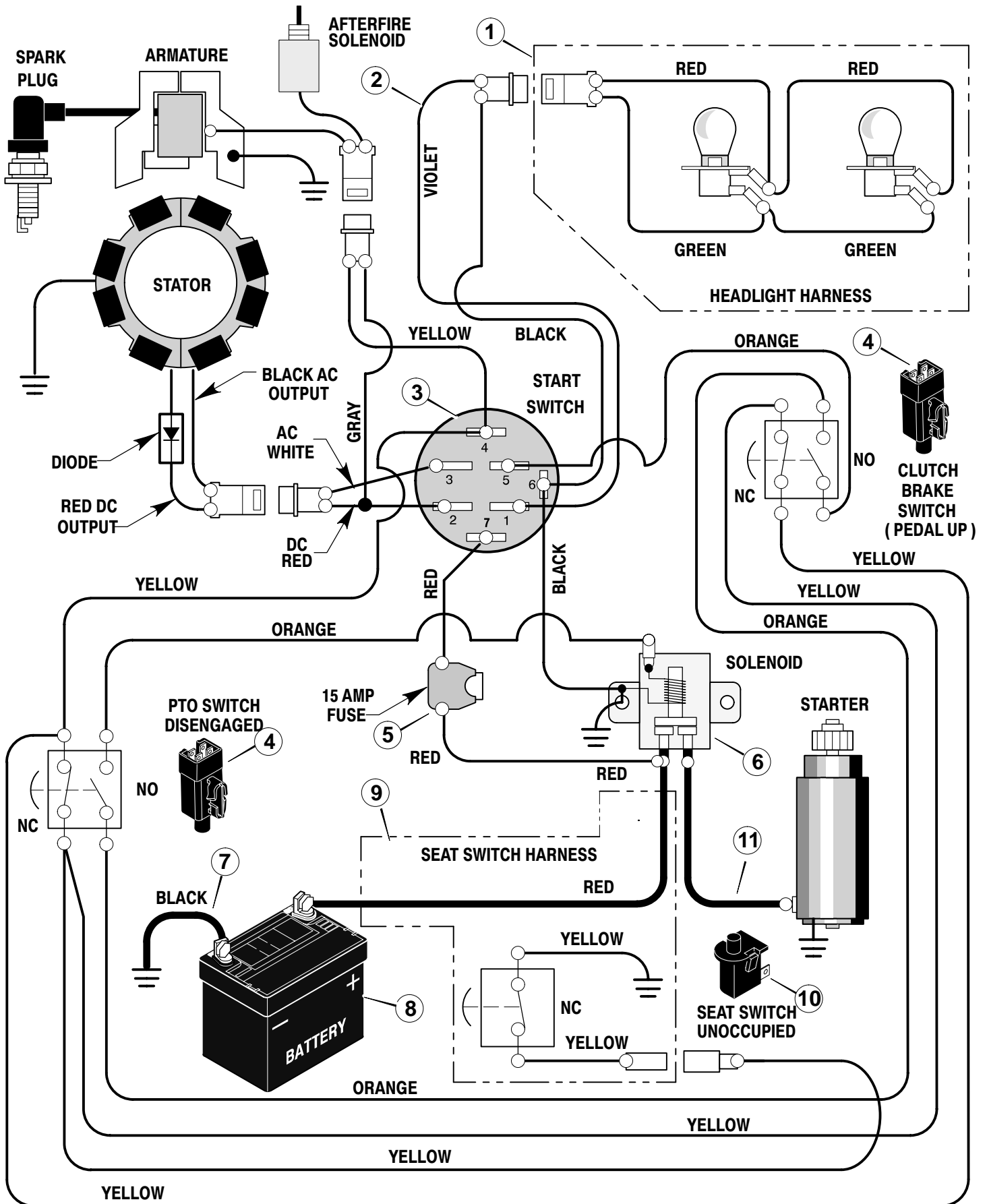
# REPAIR PARTS ENGINE MOUNT

Key No.	Description	Part No.
1	Fuel Cap	092317
2	Fuel Tank	690332
3	Hose Clamp *	095197
4	Fuel Line (18" must cut to length) *	7601033
5	Hose Clamp	095197
6	Screw	26x201
7	Plate, Engine	094006E700
8	Throttle Control	092371
9	Engine	—
10	Bolt, Engine Mount	0025x7
11	Stack Pulley Assembly	690439 Z
12	Lockwasher	019x35
13	Bolt, Hex	01x140
14	Washer	17x170
15	Screw	26x249
21	Guide, Belt	094066
22	Nut, Flange	015x79 Z
23	Guide, Belt	094384
26	Oil Drain Valve	325547
—	Cap, Oil Drain Valve	327422
30	Shield, Heat	1001461E701
31	Muffler	1001432
32	Gasket	091309
33	Screw	06x103
34	Washer	018x15
35	Screw	26x263

\* These parts are included with Key number 2.

# MODEL 425602x50A

# REPAIR PARTS ELECTRICAL SYSTEM



# MODEL 425602x50A

# REPAIR PARTS ELECTRICAL SYSTEM

<b>Key No.</b>	<b>Description</b>	<b>Part No.</b>
1	Harness, Light Wire	250x92
	Socket, Light	092372
	Bulb, Light	090084
2	Harness, Chassis Wire	250x87
3	Switch, Ignition	092556
	Key, Ignition	020729
	Nut, Hex	091489
	Cap, Ignition	091488
4	Switch, Limit	094136
5	Fuse	054212
	Holder, Fuse	407078
6	Solenoid	094613
	Screw, Mounting	26x229
	Locknut	15x116
7	Cable, Battery Ground	024x32
	Screw, Ground Cable	26x213
8	Battery	021075
	Bolt, Carriage	002x82
	Wingnut	014x79
	Boot, Battery –Positive Post	690604
9	Harness, Seat Switch Wire	250x67
10	Switch, Seat Sensor	094159
11	Cable	024x31

<b>Description (Location)</b>	<b>Part No.</b>	<b>Qty.</b>
Cut Finger (Mower Deck –Right Side)	44x5430	1
170/107 Automatic (Hood –Side)	48x1102	1
170/107 Automatic (Hood –Side)	48x1103	1
Warning Symbols (Center Console)	44x6815	1
1–7 Height Adjust–Lift	44x7200	1
No Step (Mower Deck –Left Side)	44x5429	1
Sentinel (Seat Deck –Rear Center)	48x782	1
Deck Level Position –ONLY (Seat Deck –Left Side)	44x7027	1
Brake/Parking Brake (Footrest –Left)	44x5437	1
DANKA	44x8064	1
SENTINEL Logo	48x861	1
Auto Drive (Console –Top Right)	44x6675	1
Dump Valve (Seat Deck – Top Left)	44x6962	1
Warning, Heat Shield	44x5936	1
TUV & GS	44x2929	1
Auto Drive	44x6945	1
Auto Drive	44x6944	1
Drawbar	48x511	
Briggs Logo	44x6777	
Warning, Pinch Point	44x6828	