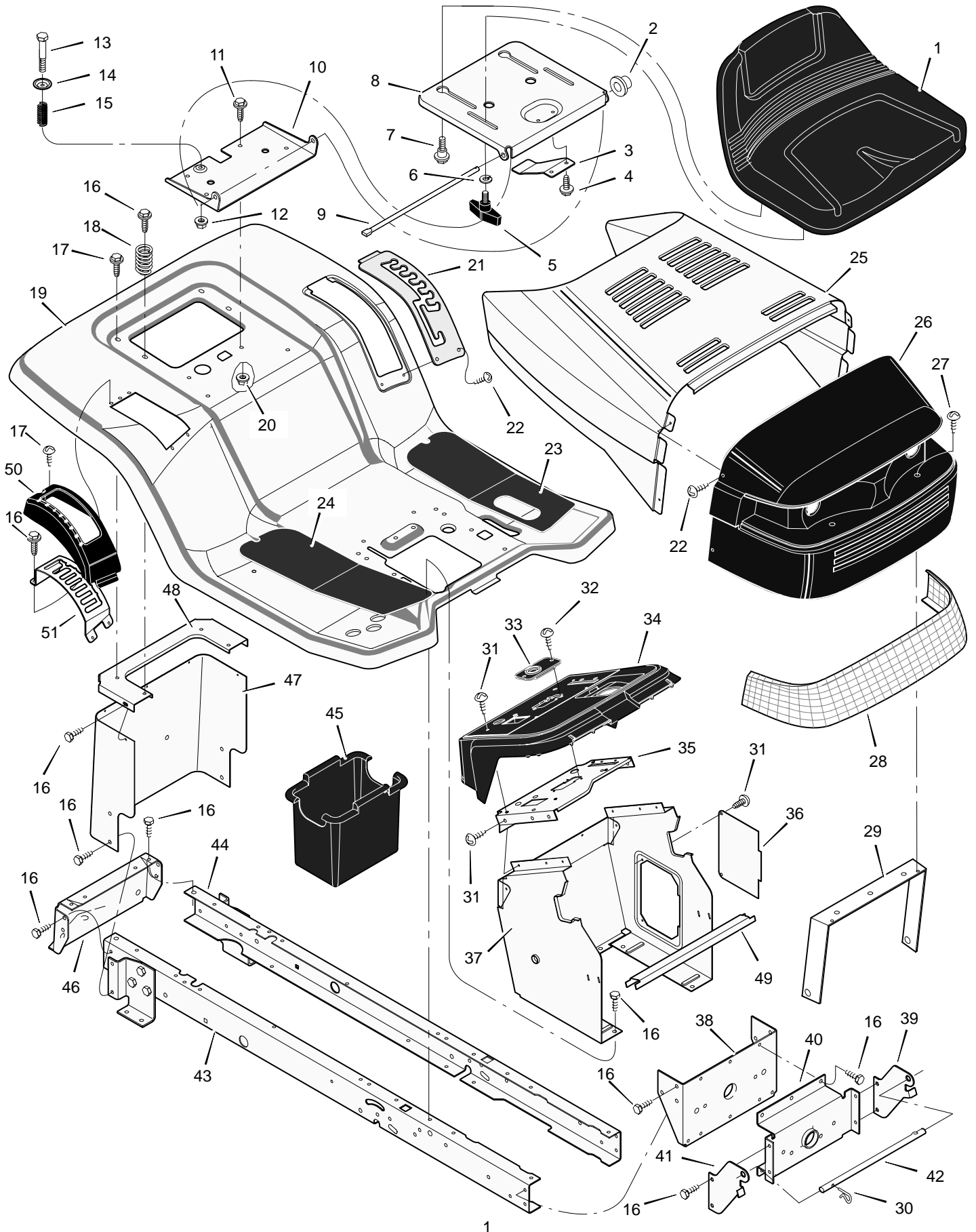


MODEL 42545x29A

REPAIR PARTS CHASSIS & HOOD



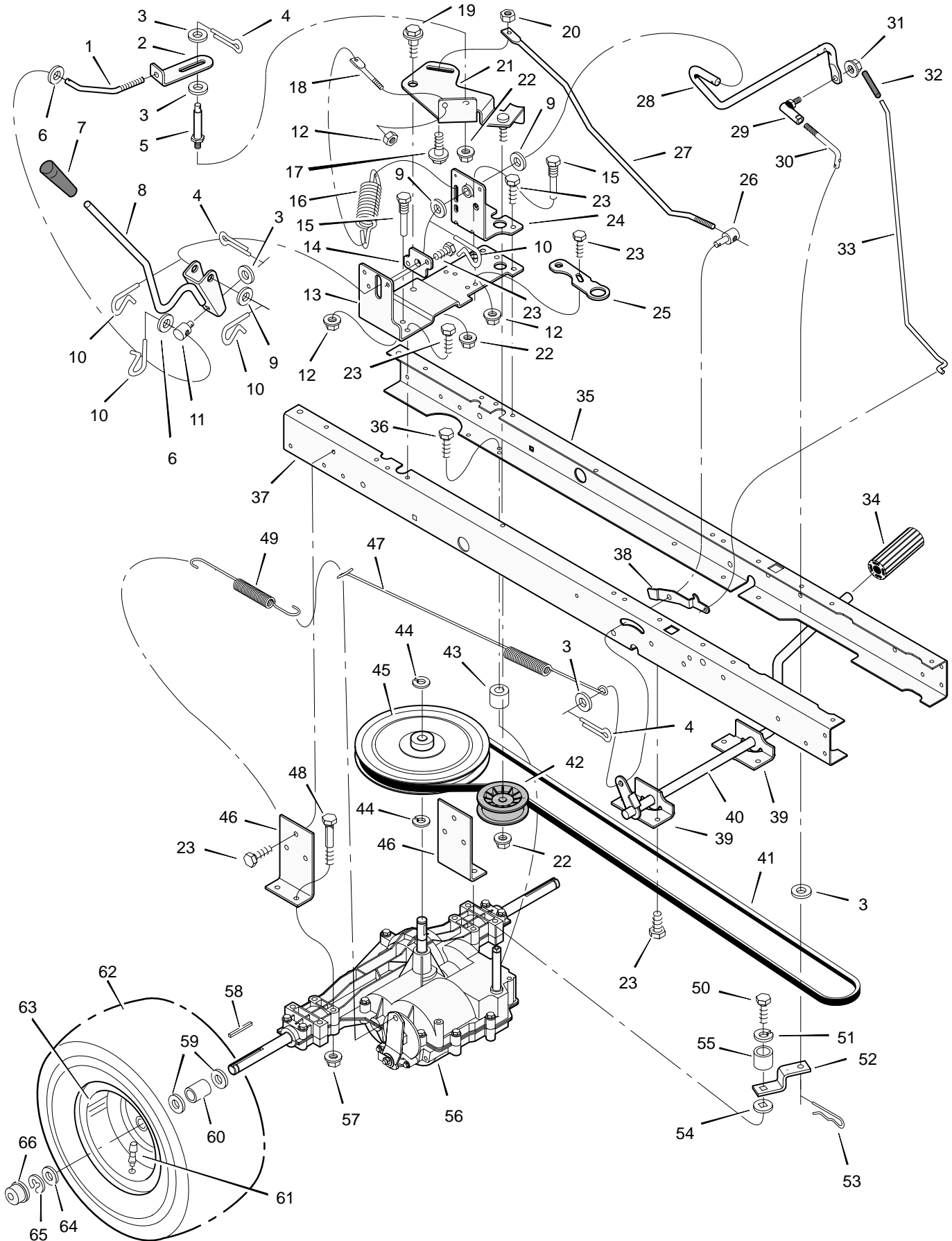
MODEL 42545x29A

REPAIR PARTS CHASSIS & HOOD

Key No.	Description	Part No.	Key No.	Description	Part No.
1	Seat	94845	29	Brace, Grille	93190
2	Cap, Push On	28x23	30	Pin, Hair	31x4
3	Spring	94057	31	Screw	26x270
4	Screw	26x229	32	Screw	26x238
5	Bolt, Wing	94160	33	Bearing, Steering	94219
6	Washer	17x47Z	34	Dash	94223
7	Bolt, Shoulder	9x56	35	Plate, Dash	94221E700
8	Support, Seat	94154E700	36	Panel, Access	93007E700
9	Rod, Pivot	94156 Z	37	Support, Dash	94220E700
10	Bracket, Pivot	94153E700	38	Bracket, Rear Hanger	94013E700
11	Bolt	1x45	39	Support, Left Grille	94213E700
12	Nut	15x89	40	Axle, Hanger	94007E700
13	Bolt, Shoulder	9x55	41	Support, Right Grille	94212E700
14	Washer	94155Z	42	Rod, Pivot	93137Z
15	Spring	164x31	43	Frame, Right	94000E700
16	Screw	26x249	44	Frame, Left	94001E700
17	Screw	26x263	45	Container, Battery	94069
18	Spring	164x30	46	Plate, Hitch	94002E700
19	Deck, Seat	94845E245	47	Panel, Rear	94187E700
20	Nut	15x88	49	Channel	94222E700
21	Plate, Index	94886E700	50	Cover, Shift Gate	94470
22	Screw	9x47	51	Gate, Shift	94476
23	Mat, Left	94109	—	Decal, Right Hood	44x7952
24	Mat, Right	94108	—	Decal, Left Hood	44x7951
25	Hood	93215E245	—	Decal, Warning	44x6815
26	Grille Assembly (Includes Lens)	93149	—	Book, Instruction	F-98938
27	Screw	26x239	—	Book, Instruction	F-98939
28	Lens	93139	—	Parts List	F-98940

MODEL 42545x29A

REPAIR PARTS MOTION DRIVE



MODEL 42545x29A

REPAIR PARTS MOTION DRIVE

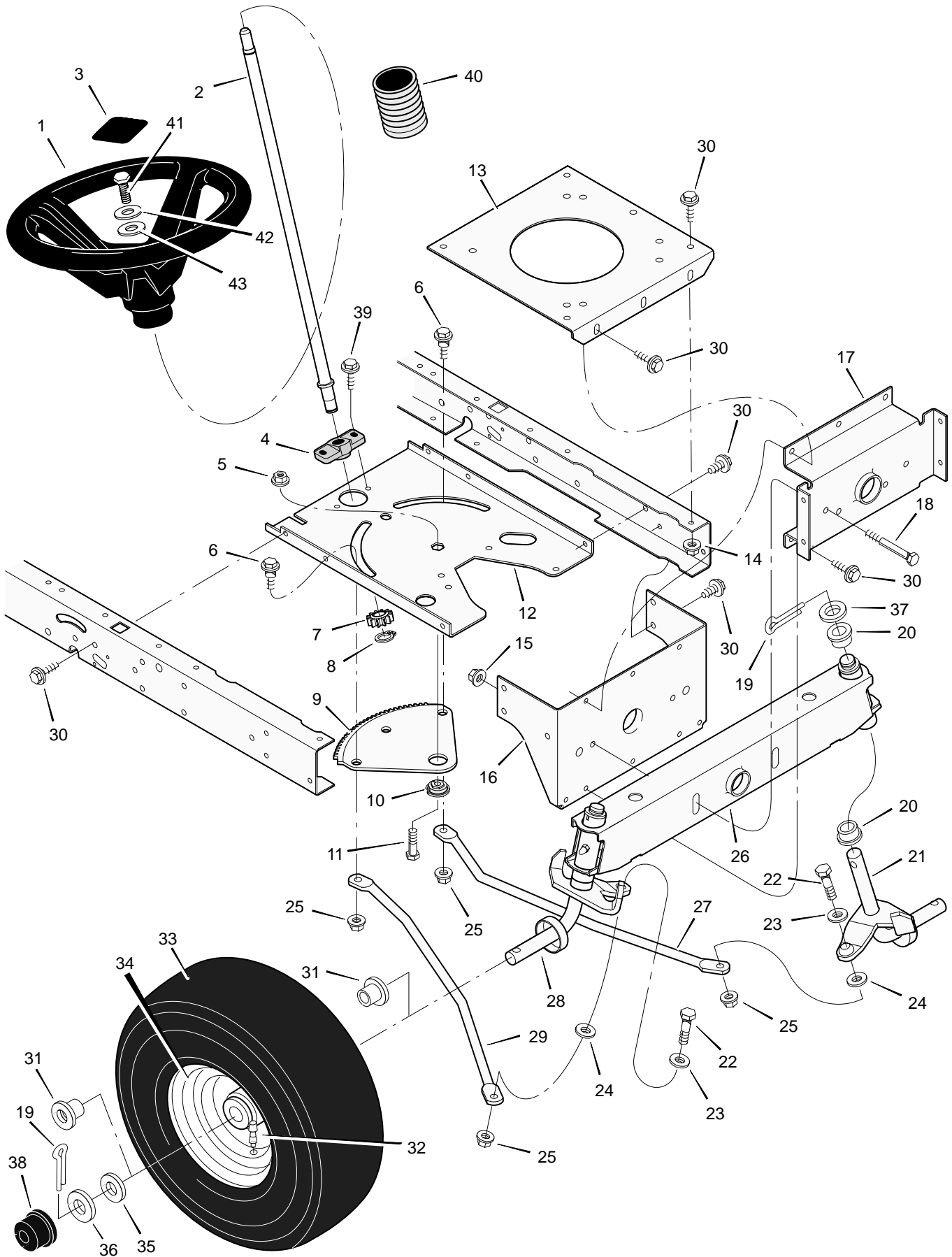
Key No.	Description	Part No.	Key No.	Description	Part No.
1	Rod, Adjuster	94166 Z	35	Frame, Left	94001E700
2	Link, Clutch	94183 Z	36	Screw	25x12
3	Washer	17x104	37	Frame, Right	94000E700
4	Pin, Cotter	30x20	38	Latch, Parking Brake	94045 Z
5	Spacer, Stud	94146	39	Bracket, Pedal	94035E700
6	Washer	17x47 Z	40	Lever, Clutch/Brake	94038E700
7	Grip	94198	41	Belt	37x87
8	Lever, Shift	94170 Z	42	Pulley, Idler	91179
9	Washer	17x102	43	Spacer	94132
10	Pin, Hair	31x4	44	Ring, Snap	11x7
11	Swivel	94147	45	Pulley, Drive	95094
12	Nut, Flange	15x79	46	Bracket, Left Transaxle	94185E700
13	Bracket, Shifter	94033E700	47	Spring, Extension	165x115
14	Plate, Pivot	94164E700	48	Bolt	1x155
15	Guide, Belt	93349	49	Spring, Extension	165x92
16	Spring, Extension	165x116	50	Bolt	1x145
17	Bolt, Shoulder	9x54	51	Lockwasher	18x32
18	Stud, Spring	94042 Z	52	Yoke, Shift	94031 Z
19	Bolt, Shoulder	9x39	53	Pin, Hair	31x6
20	Locknut	15x89	54	Washer	17x148
21	Arm Assembly, Idler	94040 Z	55	Spacer	91889
22	Locknut	15x84	56	Transaxle **	**
23	Screw	26x249	57	Nut, Flange	15x88
24	Bracket, Shift	94034E700	58	Key, Square	21553
25	Plate, Shift	94032E700	59	Washer	17x160
26	Nut, Adjuster	94815	60	Spacer	87x105 Z
27	Rod, Clutch	94041 Z	61	Stem, Valve	24373
28	Rod, Shift	94167 Z	62	Tire *	91414
29	Joint, Ball	21031		Tube	407049
30	Link, Shift	94172 Z	63	Wheel & Tire Assembly	92290-601
31	Locknut	15x87	64	Washer	17x195
32	Grip	92724	65	E-Ring	11x3
33	Rod, Parking Brake	94152 Z	66	Cap, Hub (Optional)	94618
34	Pedal	21544	67	Bracket, Right Transaxle	94184E700

* When you order a tire, make sure to give the brand name of the tire so that the tread pattern on the tire will match.

** For information on Replacement Parts see the Central Parts Distributor in your area.

MODEL 42545x29A

REPAIR PARTS STEERING



MODEL 42545x29A

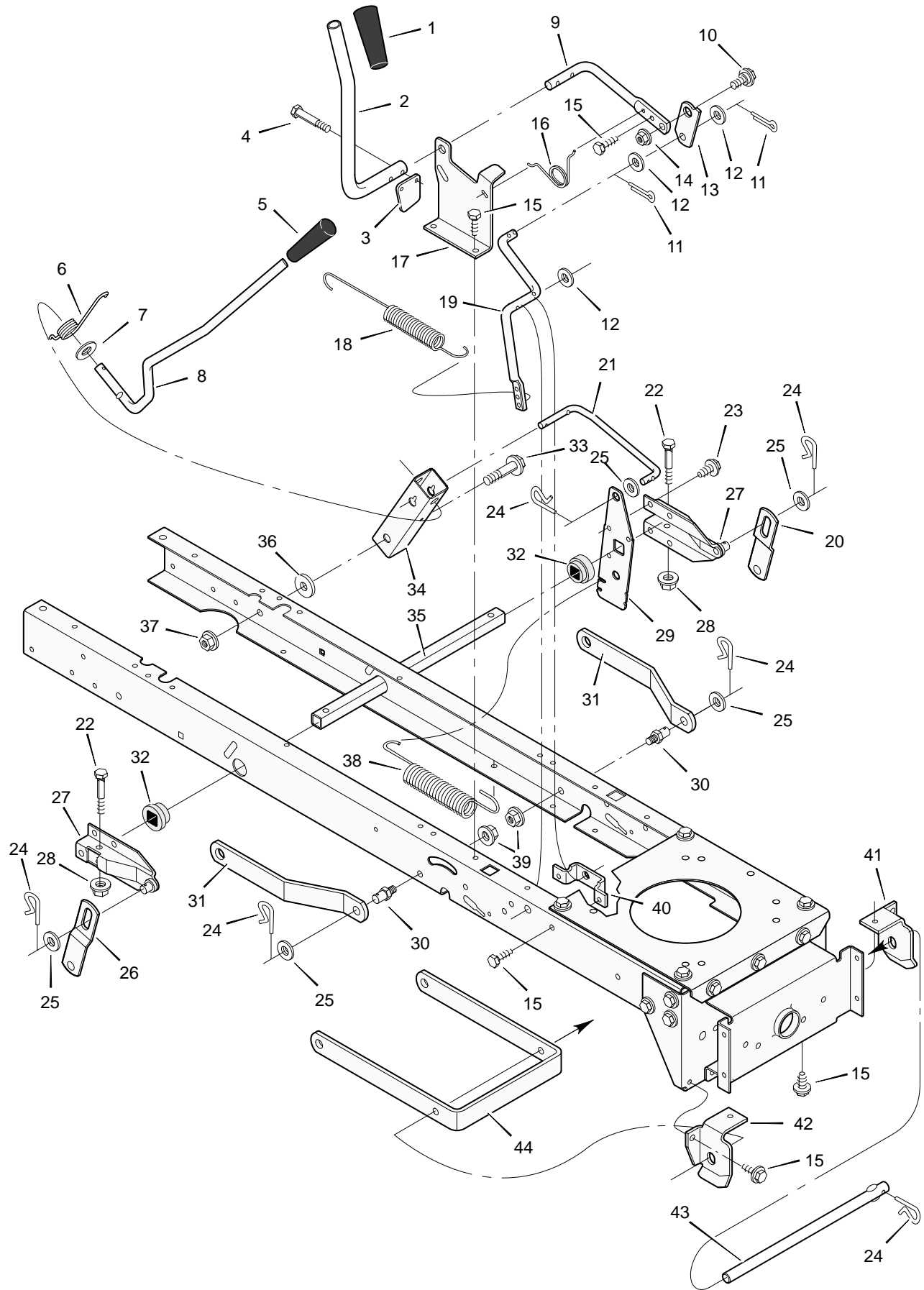
REPAIR PARTS STEERING

Key No.	Description	Part No.	Key No.	Description	Part No.
1	Wheel, Steering	95336	23	Washer	17x104
2	Post, Steering	94520	24	Washer	17x53 Z
3	Insert, Steering Wheel	95338	25	Nut, Flange	15x84
4	Bearing	94124	26	Axle Assembly	94012E700
5	Nut, Flange	15x113	27	Drag Link, Left	94021E700
6	Bolt, Shoulder	9x57	28	Spindle Assembly, Right	94575E700
7	Gear, Pinion	94122E700	29	Drag Link, Right	94020E700
8	Ring, Snap	11x25	30	Screw	26x249
9	Gear, Sector	94121E700	31	Bearing, Wheel	91334
10	Bearing	94123	32	Stem, Valve	24373
11	Bolt	1x84	33	Tire *	91912
12	Plate, Steering	94003E700	—	Tube	407924
13	Plate, Engine	94006E700	34	Wheel and Tire Assembly	94579-601
14	Nut, Flange	15x88	35	Washer	17x195
15	Nut, Flange	15x118	36	Washer	17x192
16	Bracket, Hanger	94013E700	37	Washer	17x113
17	Axle, Hanger	94007E700	38	Hub Cap	94618
18	Bolt	1x146	39	Screw	26x267
19	Pin, Cotter	30x49	40	Bellows	92059
20	Bearing	92527	41	Bolt	1x158
21	Spindle Assembly, Left	94576E700	42	Lockwasher	18x32
22	Bolt	1x111	43	Washer	17x146 Z

* When you order a tire, make sure to give the brand name of the tire so that the tread pattern on the tire will match.

MODEL 42545x29A

REPAIR PARTS MOWER HOUSING SUSPENSION



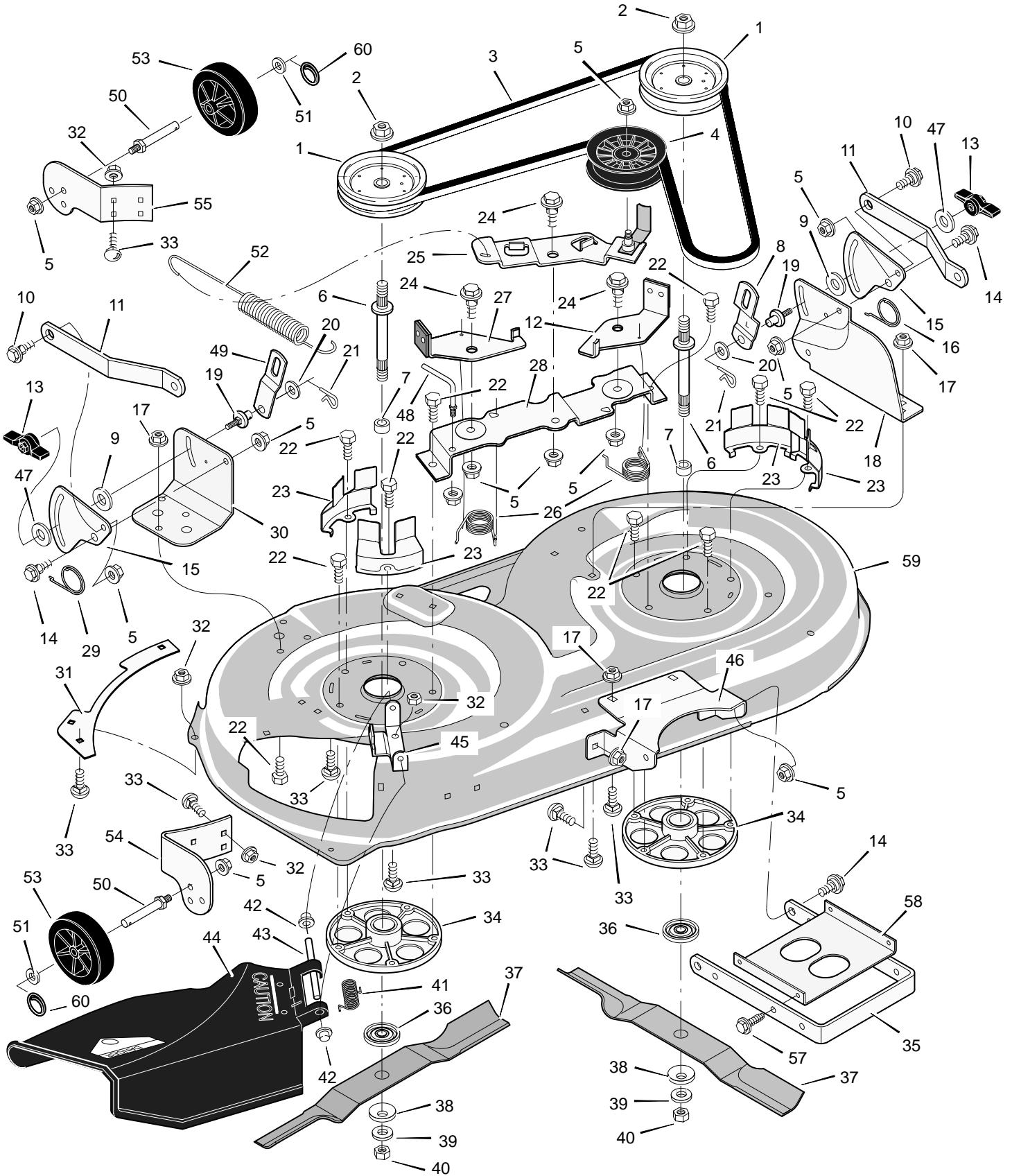
MODEL 42545x29A

REPAIR PARTS MOWER HOUSING SUSPENSION

Key No.	Description	Part No.	Key No.	Description	Part No.
1	Grip	92698	23	Screw	26x49
2	Handle, PTO	94217 Z	24	Pin, Hair	31x4
3	Pad, Switch	94022 Z	25	Washer	17x91 Z
4	Bolt	25x3	26	Link, Right Lift	94053E700
5	Grip	92697	27	Lever Assembly, Lift	94180E700
6	Spring	166x40	28	Nut, Flange	15x118
7	Washer	17x103	29	Plate, Lift Arm	94030E700
8	Lever, Lift	94195 Z	30	Pin	94067
9	Lever, PTO	94017 Z	31	Bracket, Rear Suspension	94055E700
10	Bolt, Shoulder	9x39	32	Bushing	94065
11	Pin, Cotter	30x20	33	Bolt, Shoulder	9x53
12	Washer	17x57	34	Bracket, Pivot	94015E700
13	Link, PTO	94004 Z	35	Tube, Deck Lift	94063E700
14	Nut, Flange	15x84	36	Washer	17x191
15	Screw	26x249	37	Nut, Flange	15x84
16	Spring	166x39	38	Spring	165x117
17	Bracket, PTO	94018E700	39	Nut, Flange	15x68
18	Spring	165x119	40	Bracket, PTO	94005E700
19	Crank, PTO	94019E700	41	Hanger, Left Deck	94027E700
20	Link, Left Lift	94611E700	42	Hanger, Right Deck	94026E700
21	Link, Lift	94028 Z	43	Rod, Hanger	94158 Z
22	Bolt	1x74	44	Bracket, Suspension	94058E700

MODEL 42545x29A

REPAIR PARTS MOWER HOUSING



MODEL 42545x29A

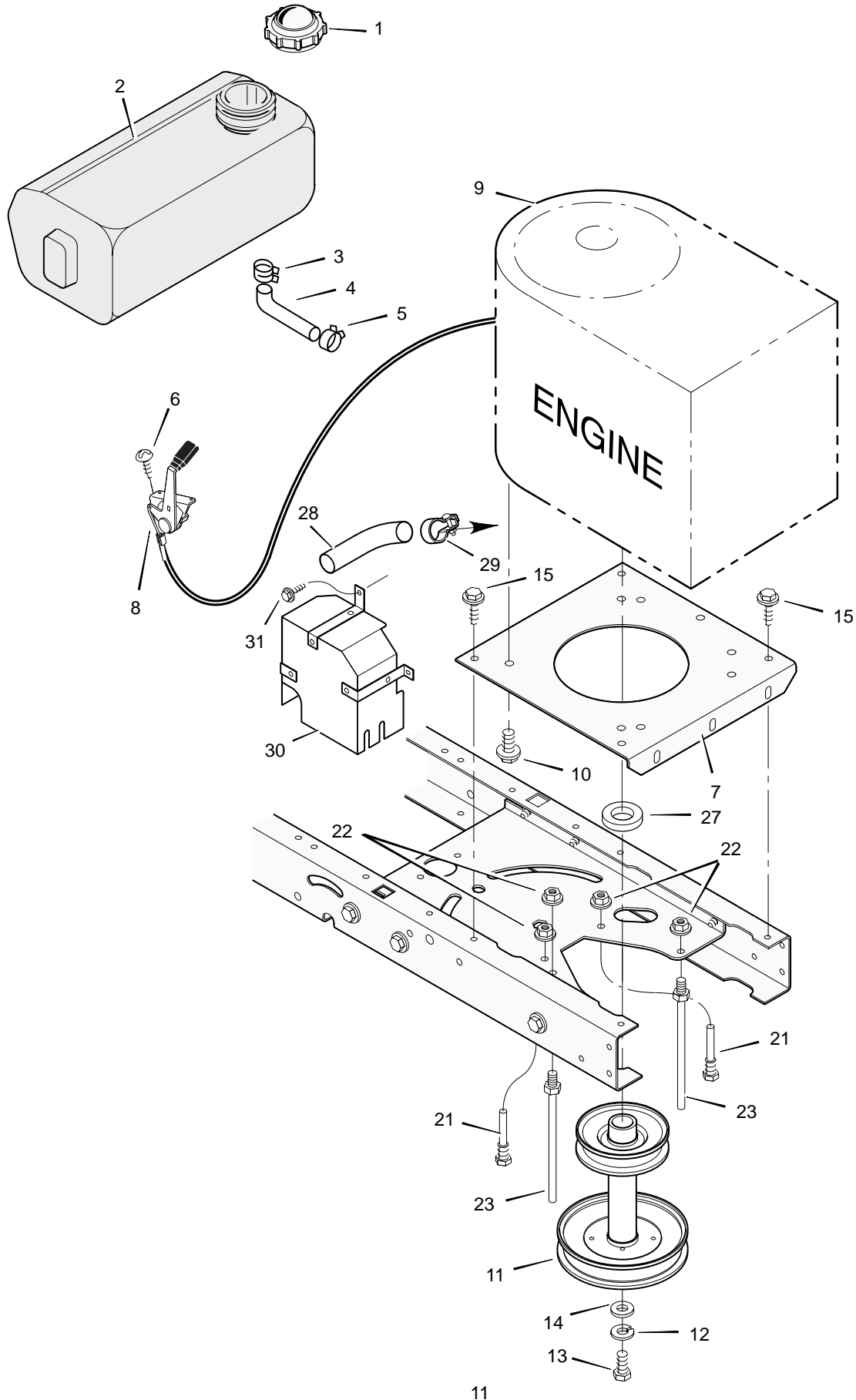
REPAIR PARTS MOWER HOUSING

Key No.	Description	Part No.	Key No.	Description	Part No.
1	Pulley, Jackshaft	94199	31	Plate	92426E700
2	Nut, Hex	15x121	32	Nut, Flange	15x88
3	Belt, Mower Drive	37x88	33	Bolt, Carriage	2x53
4	Pulley, Idler	91801	34	Mandrell Housing	92574
5	Nut, Flange	15x84	35	Bracket, Suspension	94058E700
6	Jackshaft	94129	36	Adapter, Blade	94199
7	Spacer	94130	37	Blade	95102E701
8	Link, Left Lift	94053E700	38	Washer	17x166
9	Pad, Friction	94137	39	Washer	17x165
10	Bolt, Shoulder	9x52	40	Nut	15x100
11	Bracket, Suspension	94055E700	41	Spring	166x4
12	Pad Assembly, Left Brake	94049E700	42	Cap, Push On	28x23
13	Knob	94068	43	Rod, Deflector	94957 Z
14	Bolt, Shoulder	9x51	44	Deflector Assembly	94707 SE
15	Plate, Suspension	94128E700	45	Bracket, Deflector Hinge	94956E700
16	Spring	166x43	46	Bracket, Front Hanger	94686E700
17	Nut, Flange	15x79	47	Washer	17x45 Z
18	Bracket, Suspension	94192E700	48	Guide, Belt	94781
19	Pin, Hanger	95194	49	Link, Right Lift	94611E700
20	Washer	17x103	50	Bolt, Axle	94025
21	Pin, Hair	31x4	51	Washer	17x91 Z
22	Bolt	25x7	52	Spring, Extension	165x119
23	Cover, Pulley	94051E700	53	Wheel, Gage	92683
24	Bolt, Shoulder	9x39	54	Bracket, Right Wheel	92422E700
25	Arm, Idler	94177E700	55	Bracket, Left Wheel	92423E700
26	Spring	166x41	57	Screw	26x249
27	Pad Assembly, Right Brake	94047E700	58	Stiffener	94604E700
28	Bracket, Brake	94193E700	59	Housing, Blade *	94814E700
29	Spring	166x42	60	Ring, Locking	31x11
30	Bracket, Suspension	94191E700	1-60	Complete Mower Housing Assembly	776007

* Includes Key No. 17, 18, 30, 31, 32, 33, 45, 46, 53, 54, 55, and 56.

MODEL 42545x29A

REPAIR PARTS ENGINE MOUNT



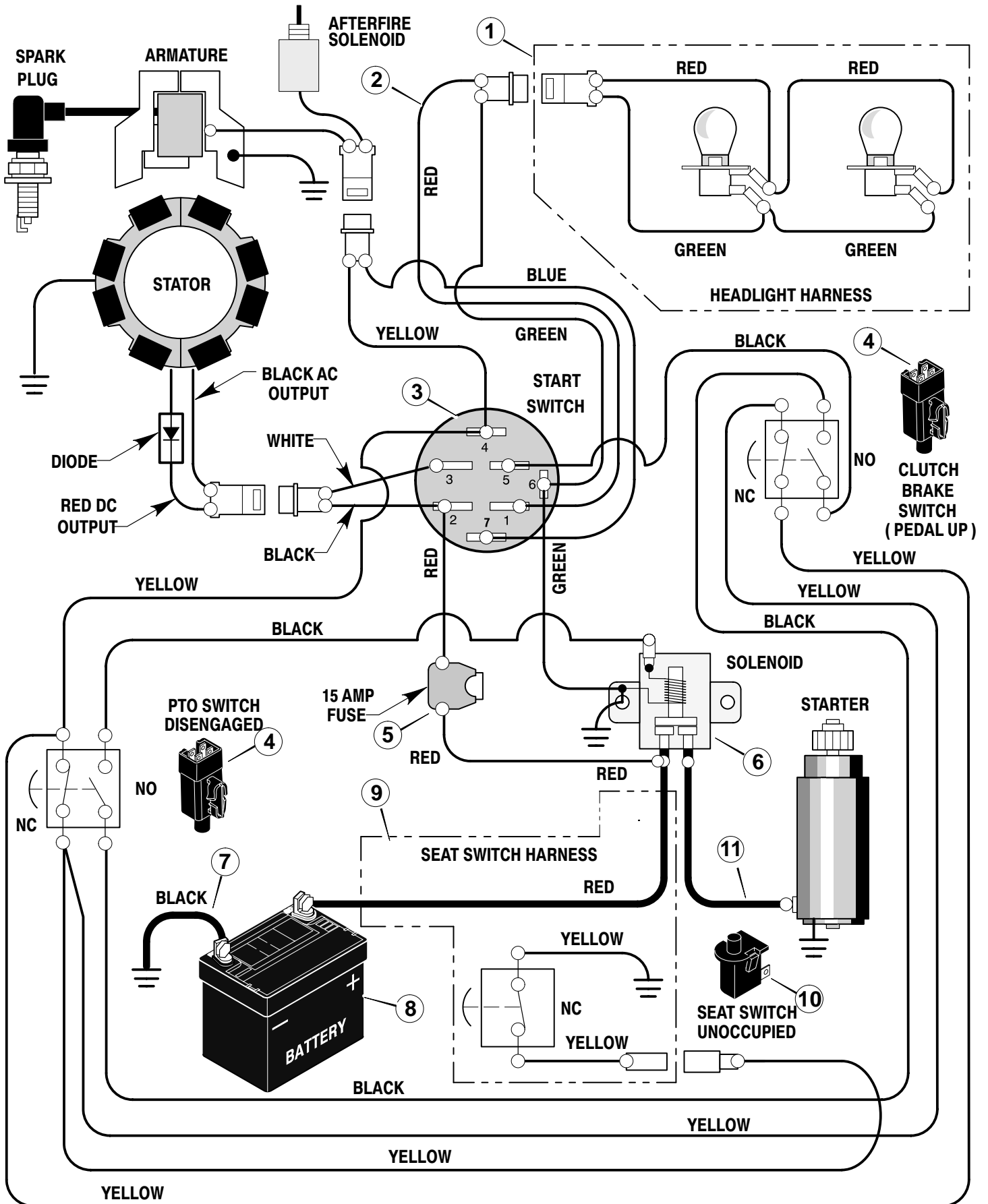
MODEL 42545x29A

REPAIR PARTS ENGINE MOUNT

Key No.	Description	Part No.
1	Fuel Cap	92317
2	Fuel Tank	92597
3	Hose Clamp	95197
4	Fuel Line	90671
5	Hose Clamp	95197
6	Screw	26x201
7	Plate, Engine	94006E700
8	Throttle Control	92371
9	Engine	—
10	Bolt, Engine Mount	25x7
11	Stack Pulley Assembly	94139 Z
12	Lockwasher	19x35
13	Bolt, Hex	1x140
14	Washer	17x170
15	Screw	26x249
21	Guide, Belt	93349
22	Nut, Flange	15x79Z
23	Guide, Belt	94066
27	Spacer	93077
28	Pipe, Exhaust	92855
29	Clamp	92558
30	Shield, Heat	94324
31	Screw	26x263

MODEL 42545x29A

REPAIR PARTS ELECTRICAL SYSTEM



MODEL 42545x29A

REPAIR PARTS ELECTRICAL SYSTEM

Key No.	Description	Part No.
1	Harness, Light Wire	250x68
	Socket, Light	92372
	Bulb, Light	90084
2	Harness, Chassis Wire	250x87
3	Switch, Ignition	92556
	Key, Ignition	20729
	Nut, Hex	91489
	Cap, Ignition	91488
4	Switch, Limit	94136
5	Fuse	54212
	Holder, Fuse	407078
6	Solenoid	94613
	Screw, Mounting	26x229
	Locknut	15x116
7	Cable, Battery Ground	24x32
	Screw, Ground Cable	26x213
8	Battery	21075
	Bolt, Carriage	2x82
	Wingnut	14x79
9	Harness, Seat Switch Wire	250x67
10	Switch, Seat Sensor	94159
11	Cable	24x31