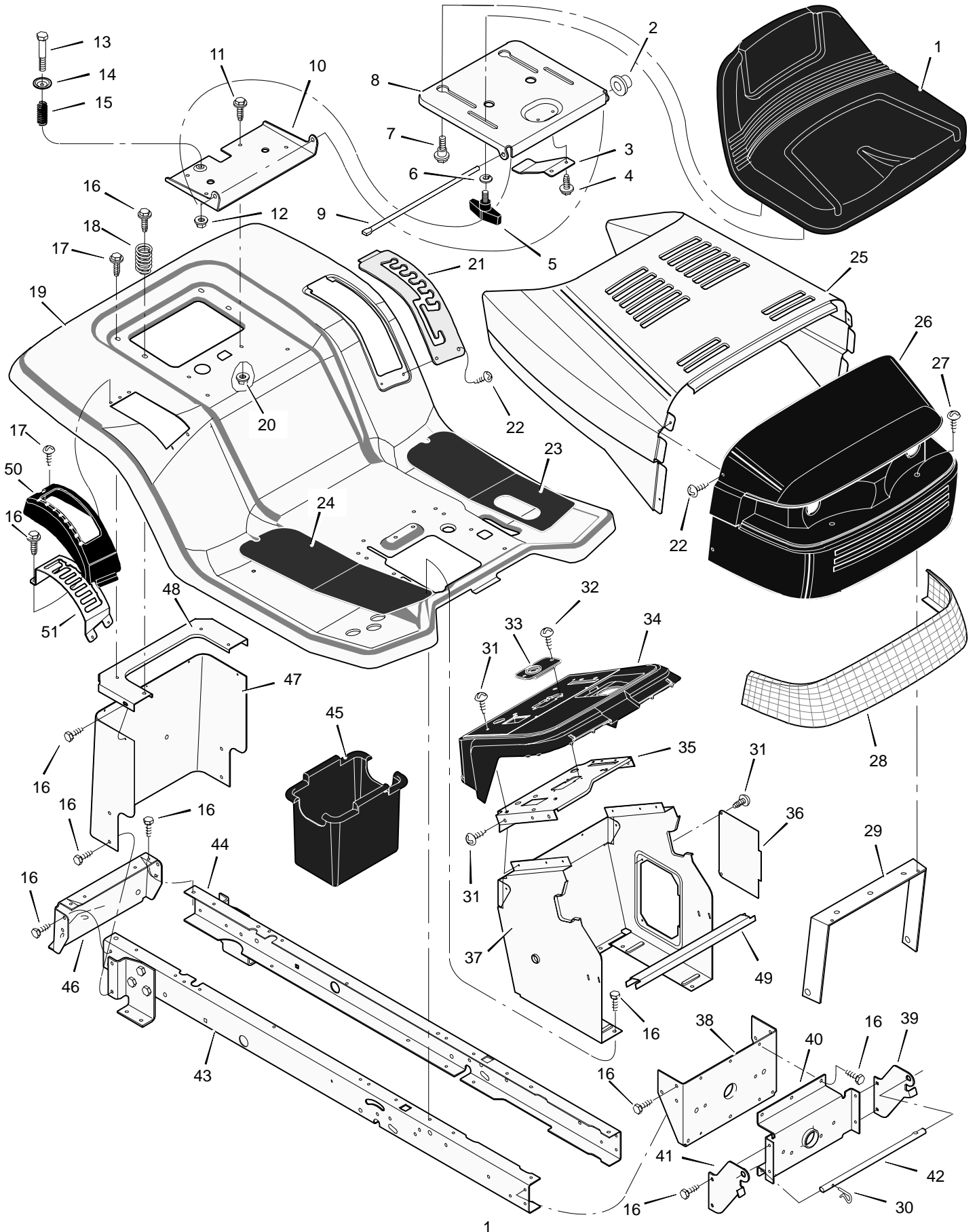


MODEL 42532x50A

REPAIR PARTS CHASSIS & HOOD



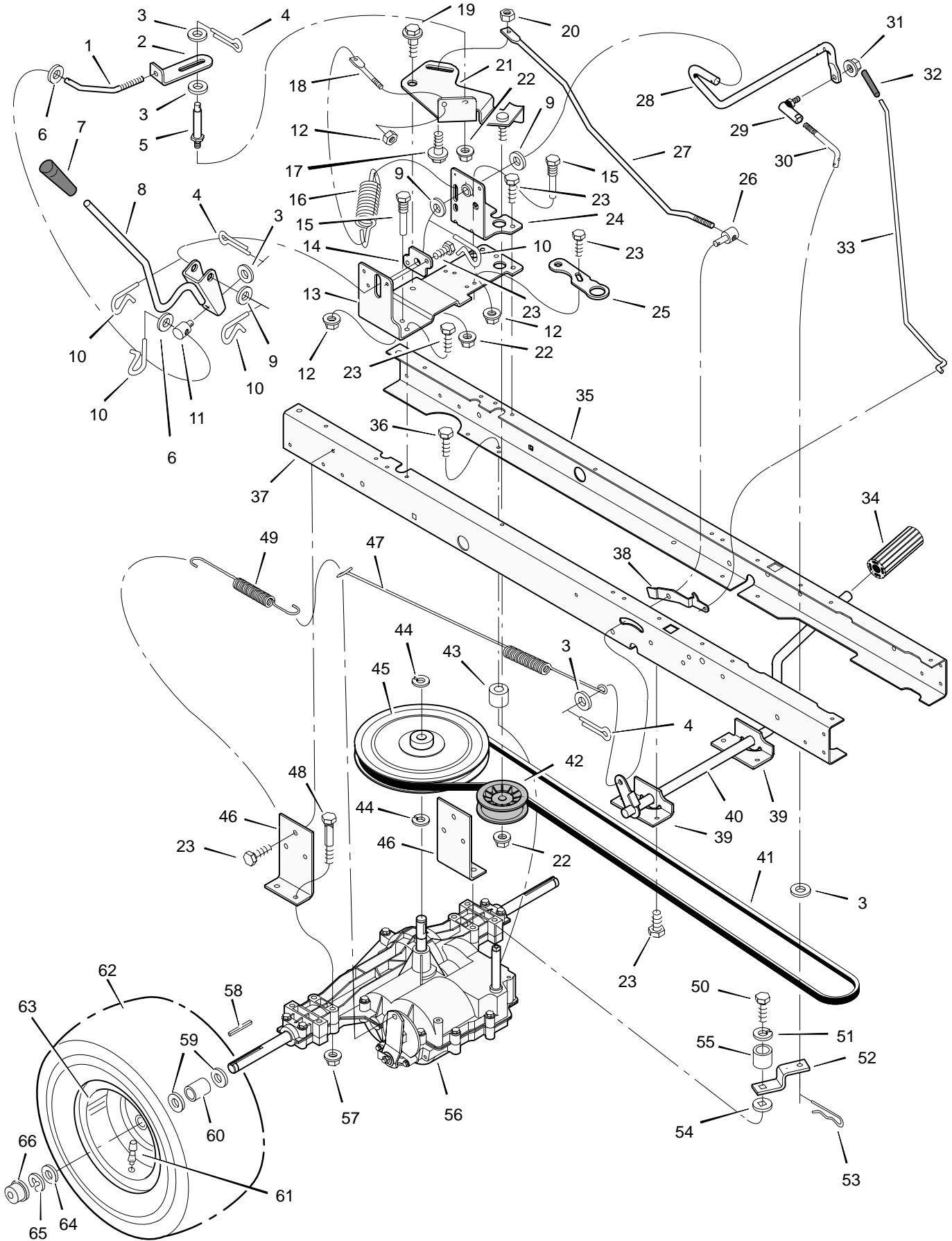
MODEL 42532x50A

REPAIR PARTS CHASSIS & HOOD

Key No.	Description	Part No.	Key No.	Description	Part No.
1	Seat	94804	29	Brace, Grille	93190
2	Cap, Push On	28x23	30	Pin, Hair	31x4
3	Spring	94057	31	Screw	26x270
4	Screw	26x229	32	Screw	26x238
5	Bolt, Wing	94160	33	Bearing, Steering	94219
6	Washer	17x47Z	34	Dash	95034
7	Bolt, Shoulder	9x56	35	Plate, Dash	94221E701
8	Support, Seat	94154E701	36	Panel, Access	93007E717
9	Rod, Pivot	94156 Z	37	Support, Dash	94220E717
10	Bracket, Pivot	94153E701	38	Bracket, Rear Hanger	94013E701
11	Bolt	1x45	39	Support, Left Grille	94213E701
12	Nut	15x89	40	Axle, Hanger	94007E701
13	Bolt, Shoulder	9x55	41	Support, Right Grille	94212E701
14	Washer	94155Z	42	Rod, Pivot	93137Z
15	Spring	164x31	43	Frame, Right	94000E701
16	Screw	26x249	44	Frame, Left	94001E701
17	Screw	26x263	45	Container, Battery	94069
18	Spring	164x30	46	Plate, Hitch	94002E701
19	Deck, Seat	94488E245	47	Panel, Rear	94187E717
20	Nut	15x88	49	Channel	94222E701
21	Plate, Index	94886E701	50	Cover, Shift Gate	94493
22	Screw	9x47	51	Gate, Shift	94476
23	Mat, Left	95437	—	Decal, Right Hood	44x7018
24	Mat, Right	95438	—	Decal, Left Hood	44x7019
25	Hood	93215E245	—	Decal, Warning	44x4247
26	Grille Assembly (Includes Lens)	93243	—	Book, Instruction	F-97825
27	Screw	26x239	—	Book, Instruction	F-97826
28	Lens	93139	—	Parts List	F-97827

MODEL 42532x50A

REPAIR PARTS MOTION DRIVE



MODEL 42532x50A

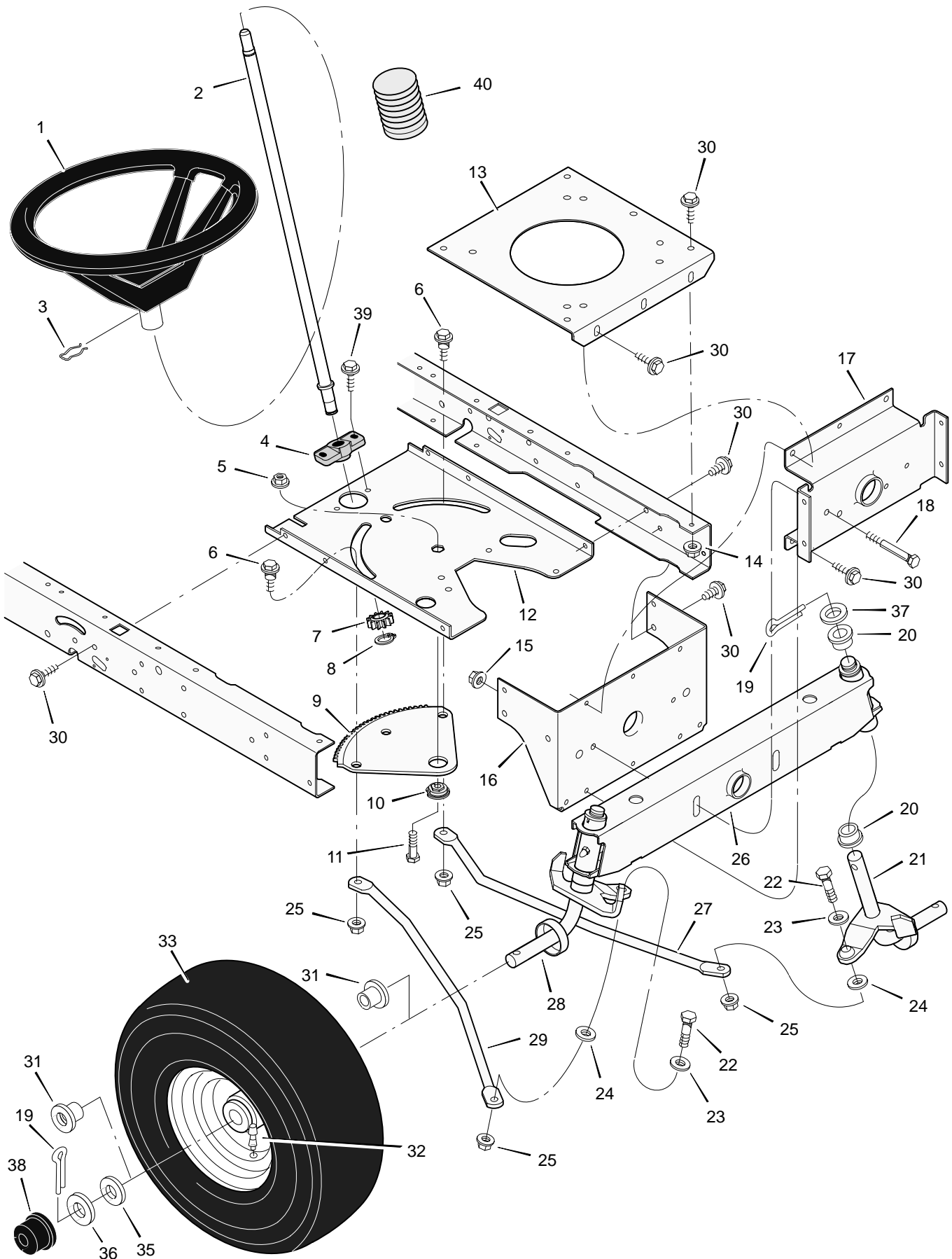
REPAIR PARTS MOTION DRIVE

Key No.	Description	Part No.	Key No.	Description	Part No.
1	Rod, Adjuster	94166Z	35	Frame, Left	94001E701
2	Link, Clutch	94183Z	36	Screw	25x12
3	Washer	17x104	37	Frame, Right	94000E701
4	Pin, Cotter	30x20	38	Latch, Parking Brake	94045Z
5	Spacer, Stud	94146	39	Bracket, Pedal	94035E701
6	Washer	17x47Z	40	Lever, Clutch/Brake	94038E701
7	Grip	94198	41	Belt	37x87
8	Lever, Shift	94170Z	42	Pulley, Idler	91179
9	Washer	17x102	43	Spacer	94132
10	Pin, Hair	31x4	44	Ring, Snap	11x7
11	Swivel	94147	45	Pulley, Drive	91807
12	Nut, Flange	15x79	46	Bracket, Transaxle	94008E701
13	Bracket, Shifter	94033E701	47	Spring, Extension	165x115
14	Plate, Pivot	94164E701	48	Bolt	1x155
15	Guide, Belt	93349	49	Spring, Extension	165x92
16	Spring, Extension	165x116	50	Bolt	1x145
17	Bolt, Shoulder	9x54	51	Lockwasher	18x32
18	Stud, Spring	94042	52	Yoke, Shift	94031Z
19	Bolt, Shoulder	9x39	53	Pin, Hair	31x6
20	Locknut	15x89	54	Washer	17x148
21	Arm Assembly, Idler	94040Z	55	Spacer	91889
22	Locknut	15x84	56	Transaxle	—
23	Screw	26x249	57	Nut, Flange	15x88
24	Bracket, Shift	94034E701	58	Key, Square	21553
25	Plate, Shift	94032E701	59	Washer	17x160
26	Nut, Adjuster	94815	60	Spacer	87x100Z
27	Rod, Clutch	94041Z	61	Stem, Valve	24373
28	Rod, Shift	94167Z	62	Tire *	91414
29	Joint, Ball	21031		Tube	407049
30	Link, Shift	94172Z	63	Wheel & Tire Assembly	92290-601
31	Locknut	15x87	64	Washer	17x195
32	Grip	92724	65	E-Ring	11x3
33	Rod, Parking Brake	94152Z	66	Cap, Hub (Optional)	94618
34	Pedal	21544			

* When you order a tire, make sure to give the brand name of the tire so that the tread pattern on the tire will match.

MODEL 42532x50A

REPAIR PARTS STEERING



MODEL 42532x50A

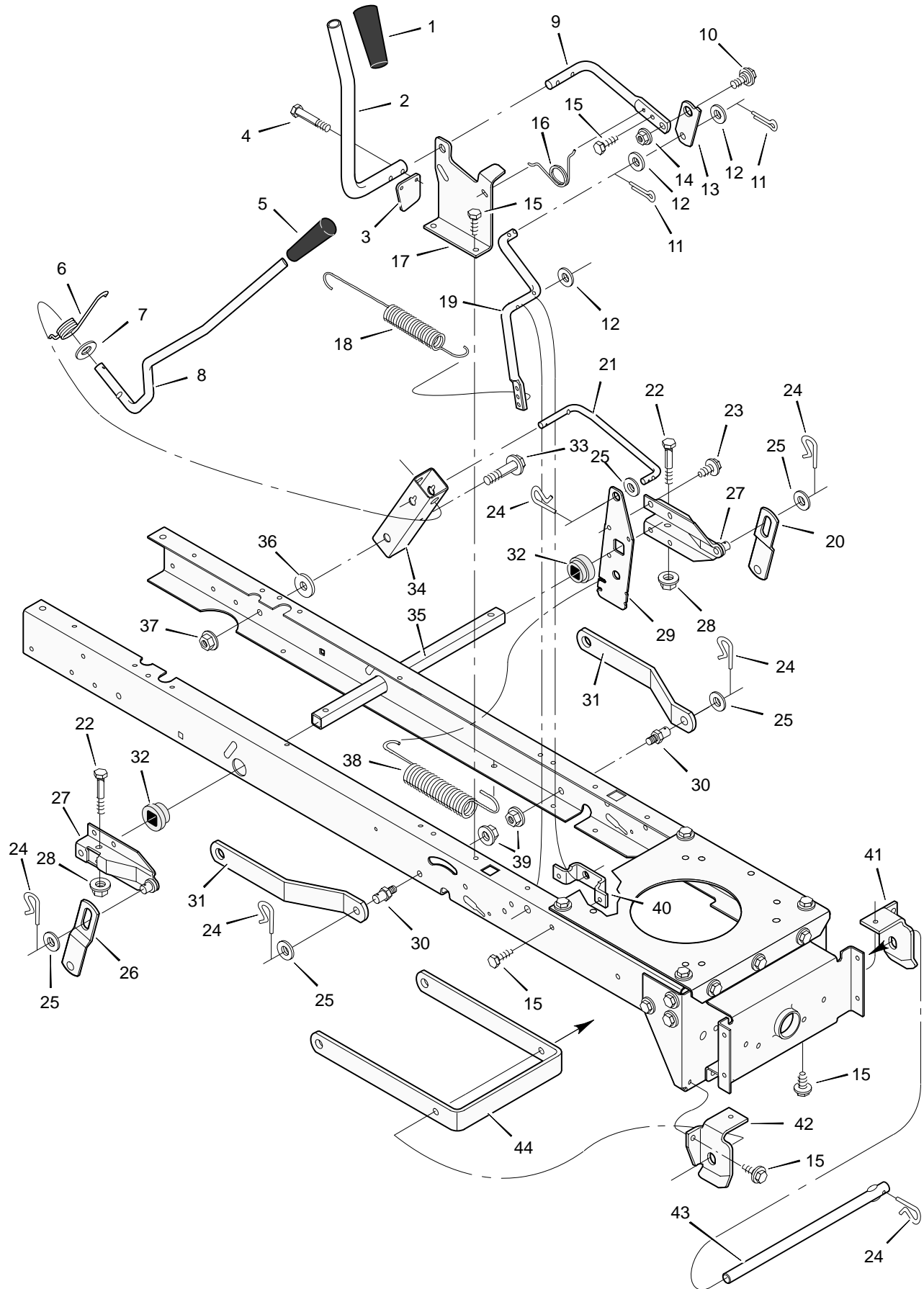
REPAIR PARTS STEERING

Key No.	Description	Part No.
1	Wheel, Steering	95442
2	Post, Steering	94127
3	Clip, Retainer	94131
4	Bearing	94124
5	Nut, Flange	15x113
6	Bolt, Shoulder	9x57
7	Gear, Pinion	94122
8	Ring, Snap	11x25
9	Gear, Sector	94121
10	Bearing	94123
11	Bolt	1x84
12	Plate, Steering	94003E701
13	Plate, Engine	94006E701
14	Nut, Flange	15x88
15	Nut, Flange	15x118
16	Bracket, Hanger	94013E701
17	Axle, Hanger	94007E701
18	Bolt	1x146
19	Pin, Cotter	30x49
20	Bearing	92527
21	Spindle Assembly, Left	94576F200
22	Bolt	1x111
23	Washer	17x104
24	Washer	17x53
25	Nut, Flange	15x84
26	Axle Assembly	94012E701
27	Drag Link, Left	94021E701
28	Spindle Assembly, Right	94575F200
29	Drag Link, Right	94020E701
30	Screw	26x249
31	Bearing, Wheel	91334
32	Stem, Valve	24373
33	Tire *	91912
34	Wheel and Tire Assembly	94579-601
35	Washer	17x195
36	Washer	17x192
37	Washer	17x113
38	Hub Cap (Optional)	94618
39	Screw	26x267
40	Bellows (Optional)	54789

* When you order a tire, make sure to give the brand name of the tire so that the tread pattern on the tire will match.

MODEL 42532x50A

REPAIR PARTS MOWER HOUSING SUSPENSION



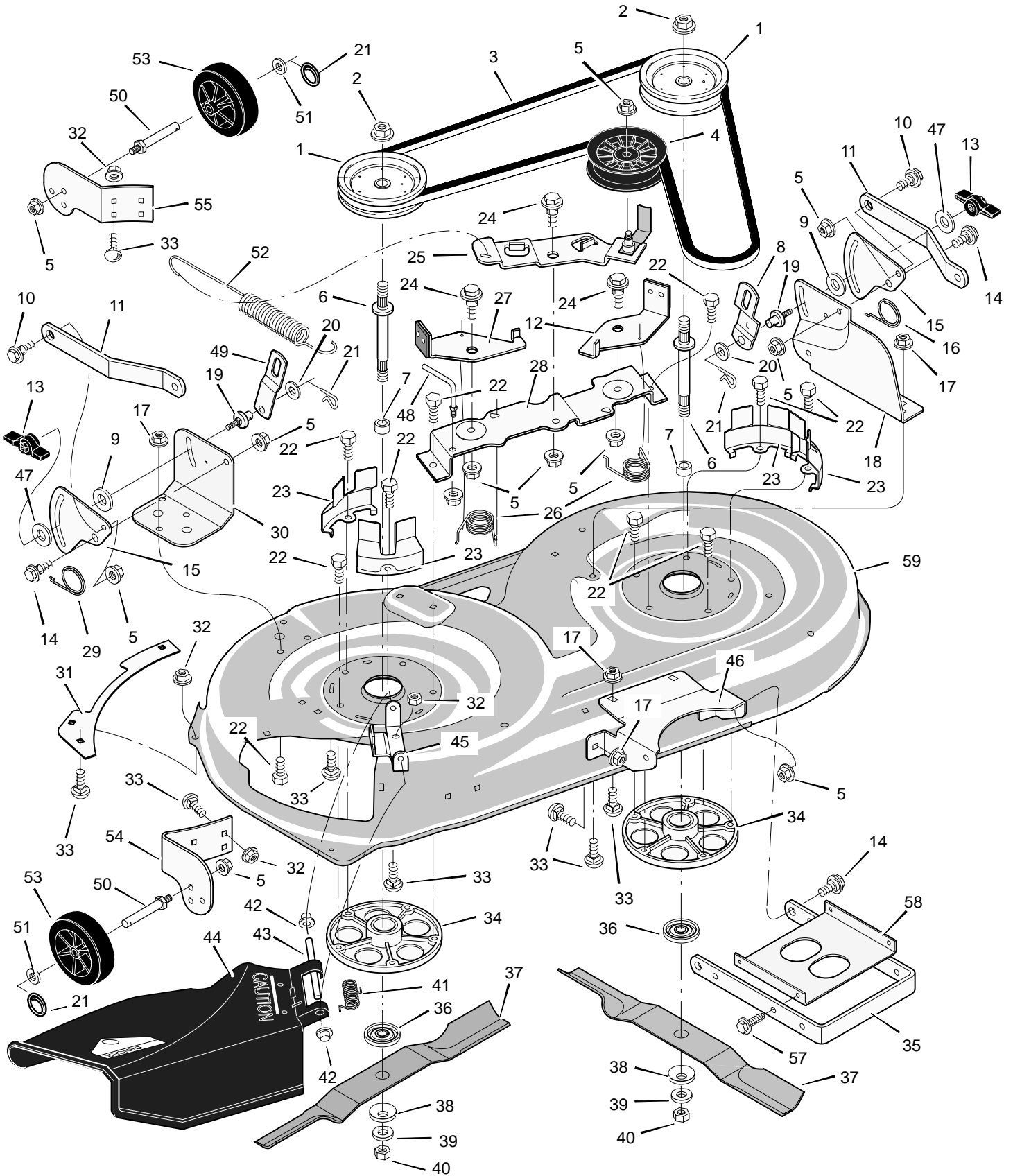
MODEL 42532x50A

REPAIR PARTS MOWER HOUSING SUSPENSION

Key No.	Description	Part No.	Key No.	Description	Part No.
1	Grip	92698	23	Screw	26x49
2	Handle	94196Z	24	Pin, Hair	31x4
3	Pad, Switch	94022E701	25	Washer	17x91Z
4	Bolt	25x3	26	Link, Right Lift	94053E701
5	Grip	92697	27	Lever Assembly, Lift	94180E701
6	Spring	166x40	28	Nut, Flange	15x118
7	Washer	17x103	29	Plate, Lift Arm	94030E701
8	Lever, Lift	94195Z	30	Pin	94067
9	Lever, PTO	94017Z	31	Bracket, Rear Suspension	94055E701
10	Bolt, Shoulder	9x39	32	Bushing	94065
11	Pin, Cotter	30x20	33	Bolt, Shoulder	9x53
12	Washer	17x57	34	Bracket, Pivot	94015E701
13	Link, PTO	94004Z	35	Tube, Deck Lift	94063E701
14	Nut, Flange	15x84	36	Washer	17x191
15	Screw	26x249	37	Nut, Flange	15x84
16	Spring	166x39	38	Spring	165x117
17	Bracket, PTO	94018	39	Nut, Flange	15x68
18	Spring	165x118	40	Bracket, PTO	94005E701
19	Crank, PTO	94019 D	41	Hanger, Left Deck	94027E701
20	Link, Left Lift	94611E701	42	Hanger, Right Deck	94026E701
21	Link, Lift	94028E701	43	Rod, Hanger	94158Z
22	Bolt	1x74	44	Bracket, Suspension	94058E701

MODEL 42532x50A

REPAIR PARTS MOWER HOUSING



MODEL 42532x50A

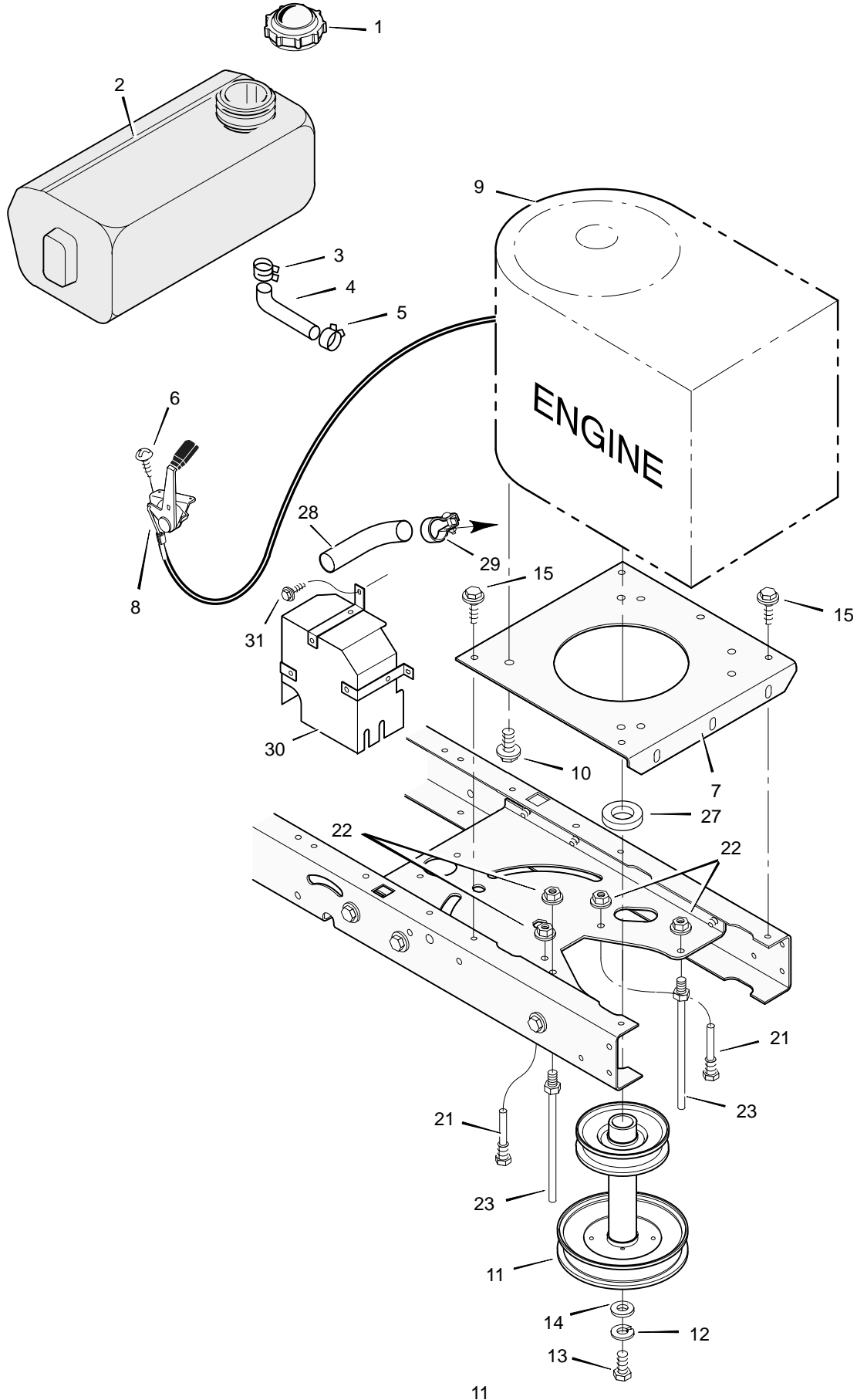
REPAIR PARTS MOWER HOUSING

Key No.	Description	Part No.	Key No.	Description	Part No.
1	Pulley, Jackshaft	94199	31	Plate	92426E701
2	Nut, Hex	15x121	32	Nut, Flange	15x88
3	Belt, Mower Drive	37x88	33	Bolt, Carriage	2x53
4	Pulley, Idler	91801	34	Mandrell Housing	92574
5	Nut, Flange	15x84	35	Bracket, Suspension	94058E701
6	Jackshaft	94129	36	Adapter, Blade	92466
7	Spacer	94130	37	Blade	92419E701
8	Link, Left Lift	94053E701	38	Washer	17x166
9	Pad, Friction	94137	39	Washer	17x165
10	Bolt, Shoulder	9x52	40	Nut	15x100
11	Bracket, Suspension	94055E701	41	Spring	166x4
12	Pad Assembly, Left Brake	94049	42	Cap, Push On	28x23
13	Knob	94068	43	Rod, Pivot	91767 Z
14	Bolt, Shoulder	9x51	44	Deflector	94707
15	Plate, Suspension	94128E701	45	Bracket, Deflector Hinge	91765E701
16	Spring	166x43	46	Bracket, Front Hanger	94190E701
17	Nut, Flange	15x79	47	Washer	17x45
18	Bracket, Suspension	94192E701	48	Guide, Belt	94781
19	Pin, Hanger	94064	49	Link, Right Lift	94611E701
20	Washer	17x103	50	Bolt, Axle	94025
21	Ring, Locking	31x11	51	Washer	17x91 Z
22	Bolt	25x7	52	Spring, Extension	165x119
23	Cover, Pulley	94051E701	53	Wheel, Gage	92683
24	Bolt, Shoulder	9x39	54	Bracket, Right Wheel	92422E701
25	Arm, Idler	94177E701	55	Bracket, Left Wheel	92423E701
26	Spring	166x41	56	Brace, Hanger	94604E701
27	Pad Assembly, Right Brake	94047	57	Screw	26x249
28	Bracket, Brake	94193E701	58	Stiffener	94604E701
29	Spring	166x42	59	Housing, Blade *	94188E701
30	Bracket, Suspension	94191E701	1-59	Complete Mower Housing Assembly	776007

* Includes Key No. 17, 18, 30, 31, 32, 33, 45, 46, 53, 54, 55, and 56.

MODEL 42532x50A

REPAIR PARTS ENGINE MOUNT



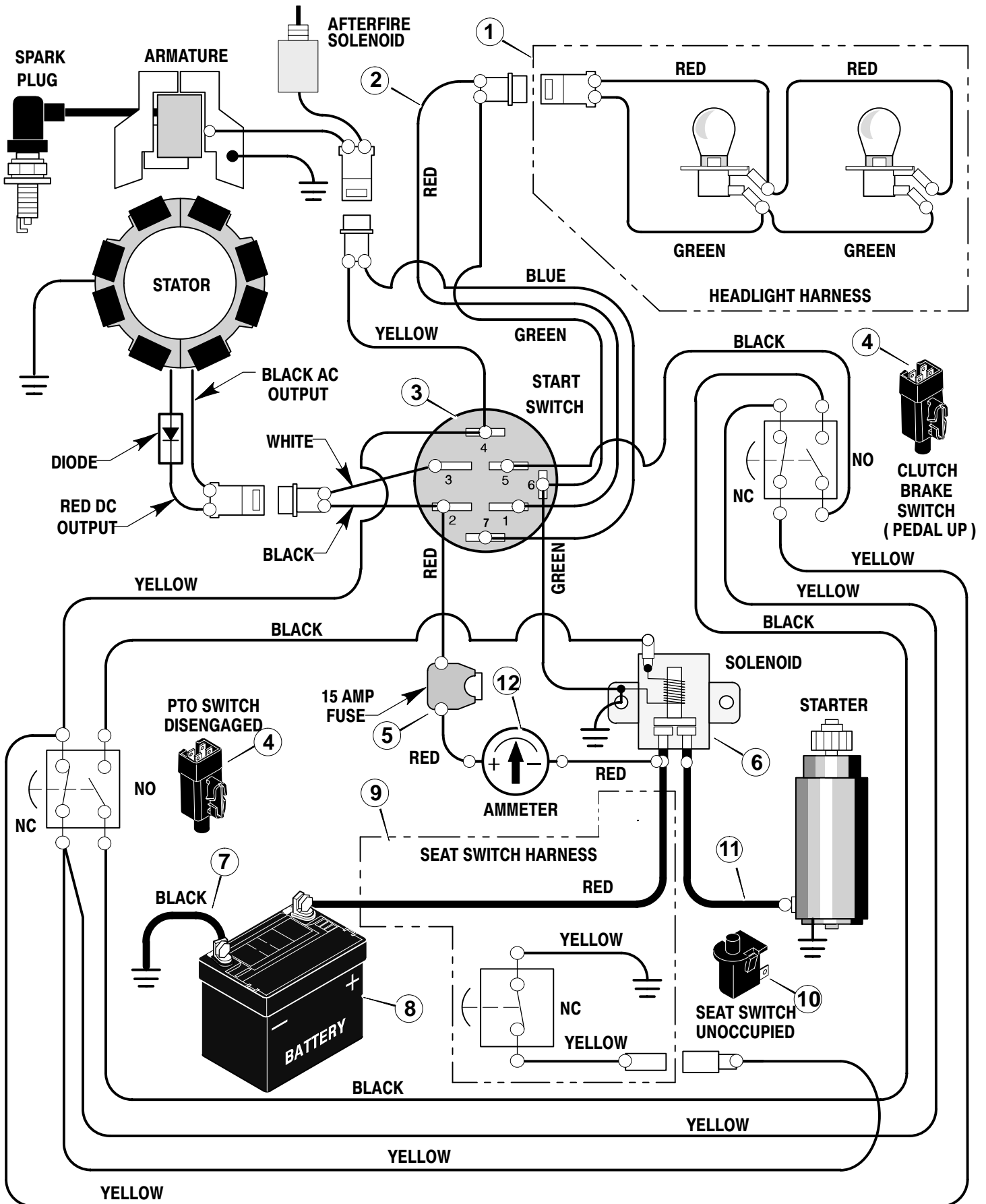
MODEL 42532x50A

REPAIR PARTS ENGINE MOUNT

Key No.	Description	Part No.
1	Fuel Cap	92317
2	Fuel Tank	92597
3	Hose Clamp	91174
4	Fuel Line	90671
5	Hose Clamp	91174
6	Screw	26x201
7	Plate, Engine	94006E701
8	Throttle Control	92371
9	Engine	—
10	Bolt, Engine Mount	25x7
11	Stack Pulley Assembly	94139Z
12	Lockwasher	19x35
13	Bolt, Hex	1x140
14	Washer	17x170
15	Screw	26x249
21	Guide, Belt	93349Z
22	Nut, Flange	15x79Z
23	Guide, Belt	94066Z
27	Spacer	93077
28	Pipe, Exhaust	92855
29	Clamp	92558
30	Shield, Heat	92550 SE
31	Screw	26x263

MODEL 42532x50A

REPAIR PARTS ELECTRICAL SYSTEM



MODEL 42532x50A

REPAIR PARTS ELECTRICAL SYSTEM

Key No.	Description	Part No.
1	Harness, Light Wire	250x68
	Socket, Light	92372
	Bulb, Light	90084
2	Harness, Chassis Wire	250x67
3	Switch, Ignition	92556
	Key, Ignition	20729
	Nut, Hex	91489
	Cap, Ignition	91488
4	Switch, Limit	94136
5	Fuse	54212
	Holder, Fuse	407078
6	Solenoid	94613
	Screw, Mounting	26x229
	Locknut	15x116
7	Cable, Battery Ground	24x32
	Screw, Ground Cable	26x213
8	Battery	21075
	Acid, Battery (Electrolyte)	93292
	Bolt, Carriage	2x82
	Wingnut	14x79
9	Harness, Seat Switch Wire	250x76
10	Switch, Seat Sensor	94159
11	Cable	24x31
12	Ammeter	93156