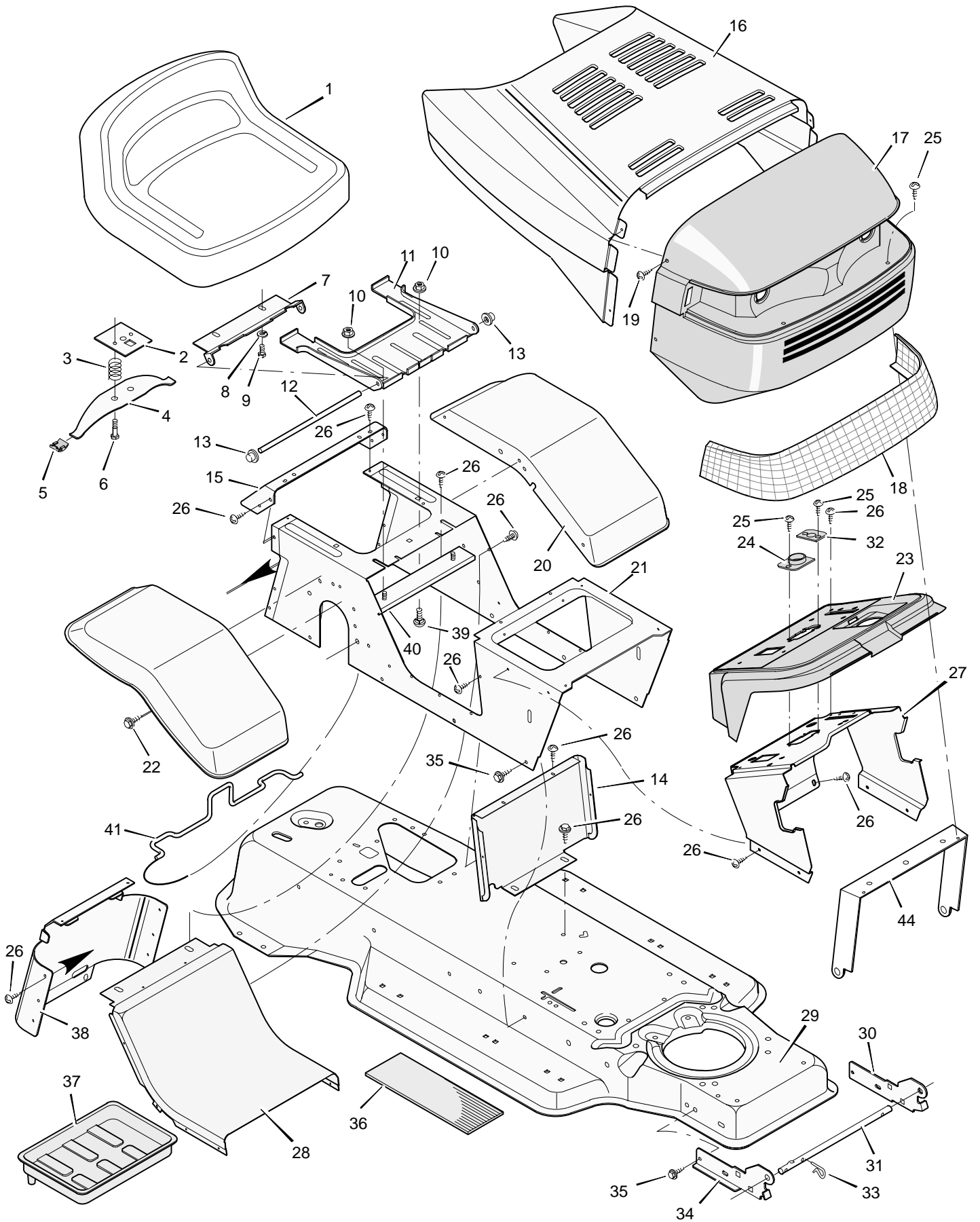


# MODEL 40908x70B

# REPAIR PARTS CHASSIS & HOOD



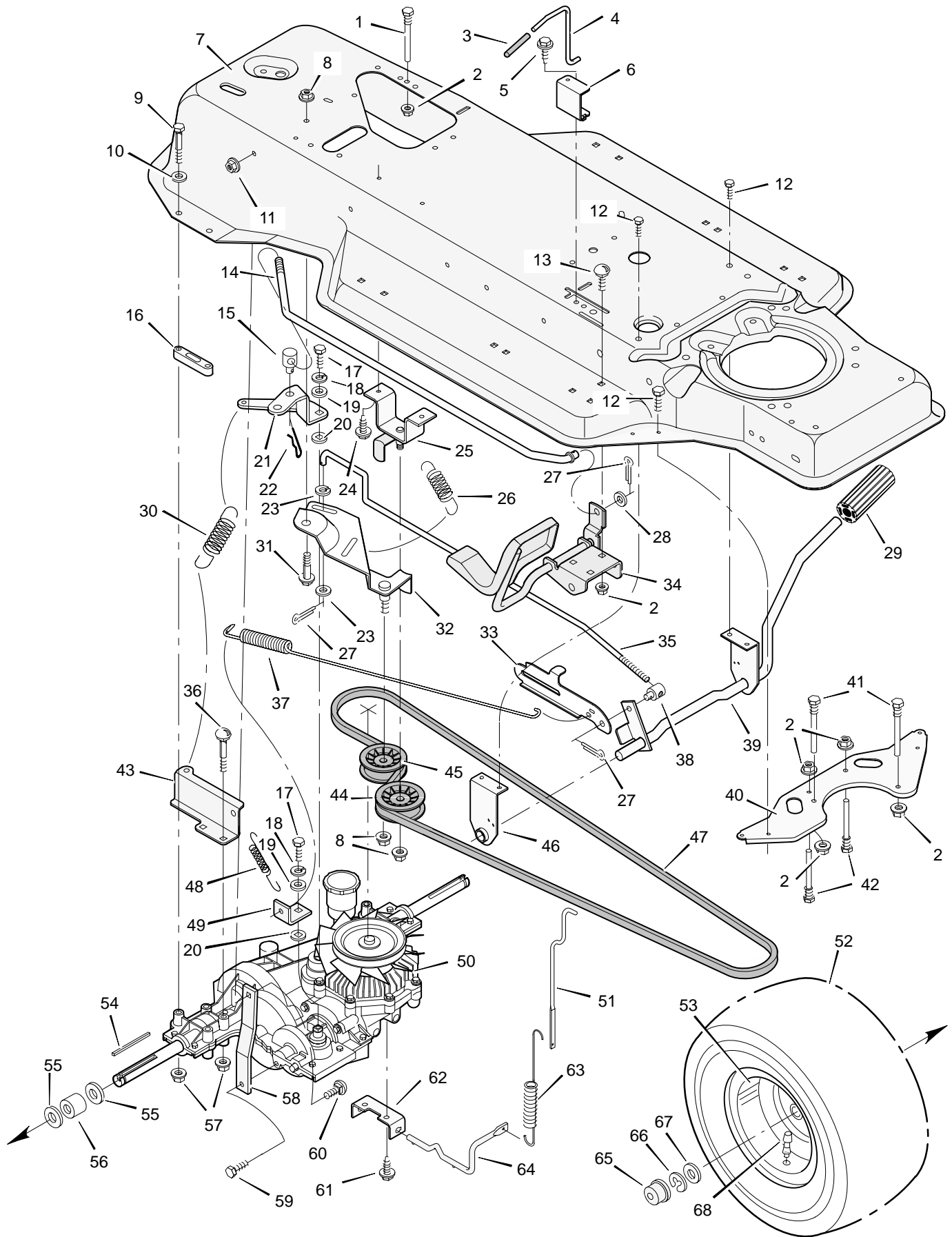
# MODEL 40908x70B

# REPAIR PARTS CHASSIS & HOOD

Key No.	Description	Part No.	Key No.	Description	Part No.
1	Seat	92606	24	Bearing, Steering	93135
2	Plate Assembly, Switch	91963Z	25	Screw	26x239
3	Spring, Compression	164x26	26	Screw	26x270
4	Spring, Seat	91964	27	Support, Dash	93136E701
5	Glide, Spring	91822	28	Insert, Rear	92549E245
6	Bolt, Shoulder	9x38	29	Frame Assembly	92815E245
7	Support, Seat	92334E701	30	Bracket, Left Grille	92347E701
8	Lockwasher	18x16	31	Rod, Pivot	93137Z
9	Bolt, Hex	1x45	32	Bearing	93155
10	Locknut, Flange	15x88	33	Pin, Hair	31x4
11	Bracket, Pivot	92546E701	34	Bracket, Right Grille	92346E701
12	Rod, Pivot	91730E701	35	Screw	26x249
13	Cap, Push On	28x23	36	Mat	91900
14	Insert, Front	92548E245	37	Tray, Battery	91895
15	Fender, Apron	91724E701	38	Cap, Console	92443E245
16	Hood	93215E245	39	Bolt	2x64
17	Grille Assembly (includes Lens)	93149	40	Channel Assembly	91857E701
18	Lens	93139	41	Clamp, Battery	92725Z
19	Screw	9x47	44	Brace, Grille	93190Z
20	Fender	92328E245	—	Book, Instruction	F-96804
21	Console Assembly	92729E245	—	Repair Parts Book	F-96805
22	Screw	26x263	—	Decal, Left Hood	44x4027
23	Dash Panel	93134	—	Decal, Right Hood	44x4026

# MODEL 40908x70B

# REPAIR PARTS MOTION DRIVE



# MODEL 40908x70B

# REPAIR PARTS MOTION DRIVE

Key No.	Description	Part No.	Key No.	Description	Part No.
1	Guide, Belt	92632	36	Carriage Bolt	2x58
2	Nut, Flange	15x79	37	Spring, Extension	165x101
3	Grip	92724	38	Nut, Adjusting	21920
4	Rod, Parking Brake	91727S	39	Pedal Lever Assembly	91862E701
5	Screw	26x214	40	Plate, Belt Guide	92694E701
6	Bracket, Guide	91825E701	41	Screw, Guide	91754Z
7	Frame Assembly	92815E245	42	Screw, Guide	20619Z
8	Nut, Flange	15x84	43	Bracket, Spring Mount	92706Z
9	Bolt	1x118	44	Idler Pulley	91178
10	Washer	17x146	45	Idler Pulley	91179
11	Nut, Flange	15x79	46	Support, Pedal	91713E701
12	Screw	26x249	47	V-Belt	37x80
13	Bolt, Carriage	2x53	48	Spring, Extension	165x92
14	Rod, Control	92631Z	49	Lever, Brake	92569E701
15	Nut, Adjusting	92132	50	Transaxle	‡
16	Spacer, Hydro	92682	51	Rod, Dump Valve	92674Z
17	Bolt	1x82	52	Wheel & Tire Assembly	92289-601
18	Lockwasher	18x32	53	Tire (Included with Key No. 52) *	91914
19	Washer	17x38	—	Tube (Included with Key No. 52)	407049
20	Washer	17x148	54	Square Key	21553
21	Lever, Control	92594Z	55	Washer	17x160
22	Hair Pin	31x4	56	Spacer, Wheel	87x100Z
23	Washer	17x47	57	Nut, Flange	15x115
24	Screw	26x249	58	Strap, Torque	92568E701
25	Idler Mount Assembly	92565E701	59	Screw	26x216
26	Spring, Extension	165x98	60	Carriage Bolt	2x64
27	Cotter Pin	30x20	61	Screw	25x9
28	Washer	17x57	62	Bracket, Dump Valve	92603Z
29	Pedal	21544	63	Spring, Extension	165x104
30	Spring, Extension	165x99	64	Rod, Dump Valve	93247Z
31	Shoulder Bolt	9x39	65	Hub Cap (Optional)	24582
32	Idler Bracket Assembly	92737Z	66	E-Ring	11x3
33	Latch, Parking Brake	91712Z	67	Washer	17x115
34	Pedal Assembly	92676E701	68	Valve Stem	24373
35	Clutch Rod	91808Z			

\* When you order a tire, make sure to give the brand name of the tire so that the tread pattern on the tire will match.

‡ Parts are available from a Authorized Service Center. See the classified pages of the telephone directory



# MODEL 40908x70B

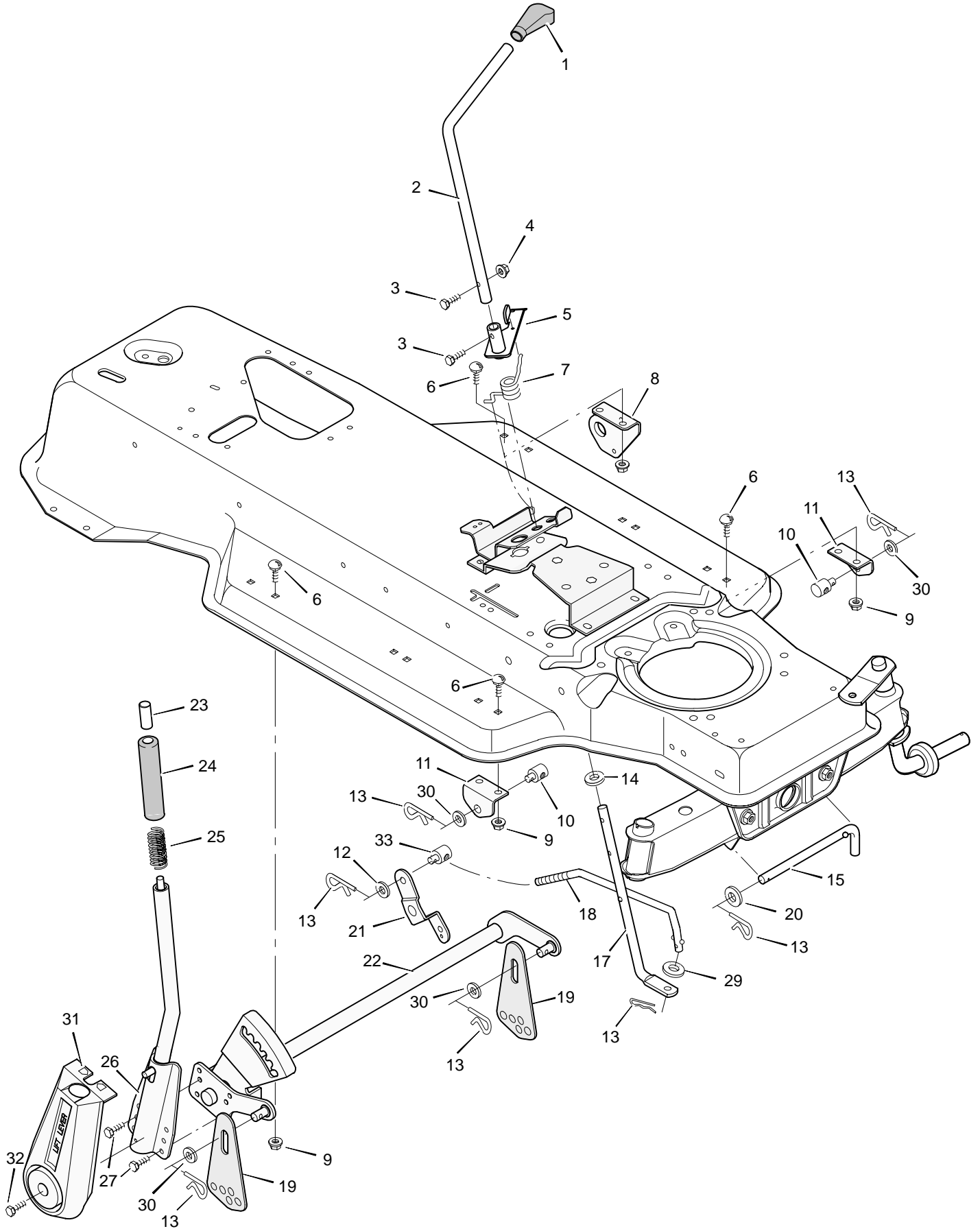
# REPAIR PARTS STEERING

Key No.	Description	Part No.
1	Wheel, Steering	92078
2	Nut, Hex	15x118
3	Bolt, Hex	1x66
4	Post, Steering	91860Z
5	Bolt, Hex	1x74
6	Screw	26x249
7	Bracket, Sector	91716E701
8	Gear, Pinion	92715
9	Bearing	91756
10	Bolt, Hex	1x84
11	Locknut, Flange	15x87
12	Spacer	92564
13	Gear, Sector	92316
14	Bracket, Sector	91708E701
15	Kit, Steering Gear	402075
16	Bolt, Hex	1x146
17	Support, Rear Axle	92529E701
18	Rod, Tie	90038E701
19	Pin, Cotter	30x49
20	Bearing	92527
21	Washer	17x57
22	Pin, Cotter	30x20
23	Washer	17x113
24	Spindle Assembly, Right	91828E701
25	Spindle Assembly, Axle & Left	92519E701
26	Support, Front Axle	92528E701
27	Tire*	91912
—	Tube	407047
28	Stem, Valve	24373
29	Bearing, Wheel	91334
30	Washer	17x115
31	Wheel & Tire Assembly	92638-601
32	Bearing	92097
33	Locknut, Flange	15x113
34	Link, Drag	91749E701
36	Spacer, Pinion Gear	92280
38	Hub Cap (Optional)	24582
39	Bellows	54789

\* When you order a tire, make sure to give the brand name of the tire so that the tread pattern on the tire will match.

# MODEL 40908x70B

# REPAIR PARTS MOWER HOUSING SUSPENSION



# MODEL 40908x70B

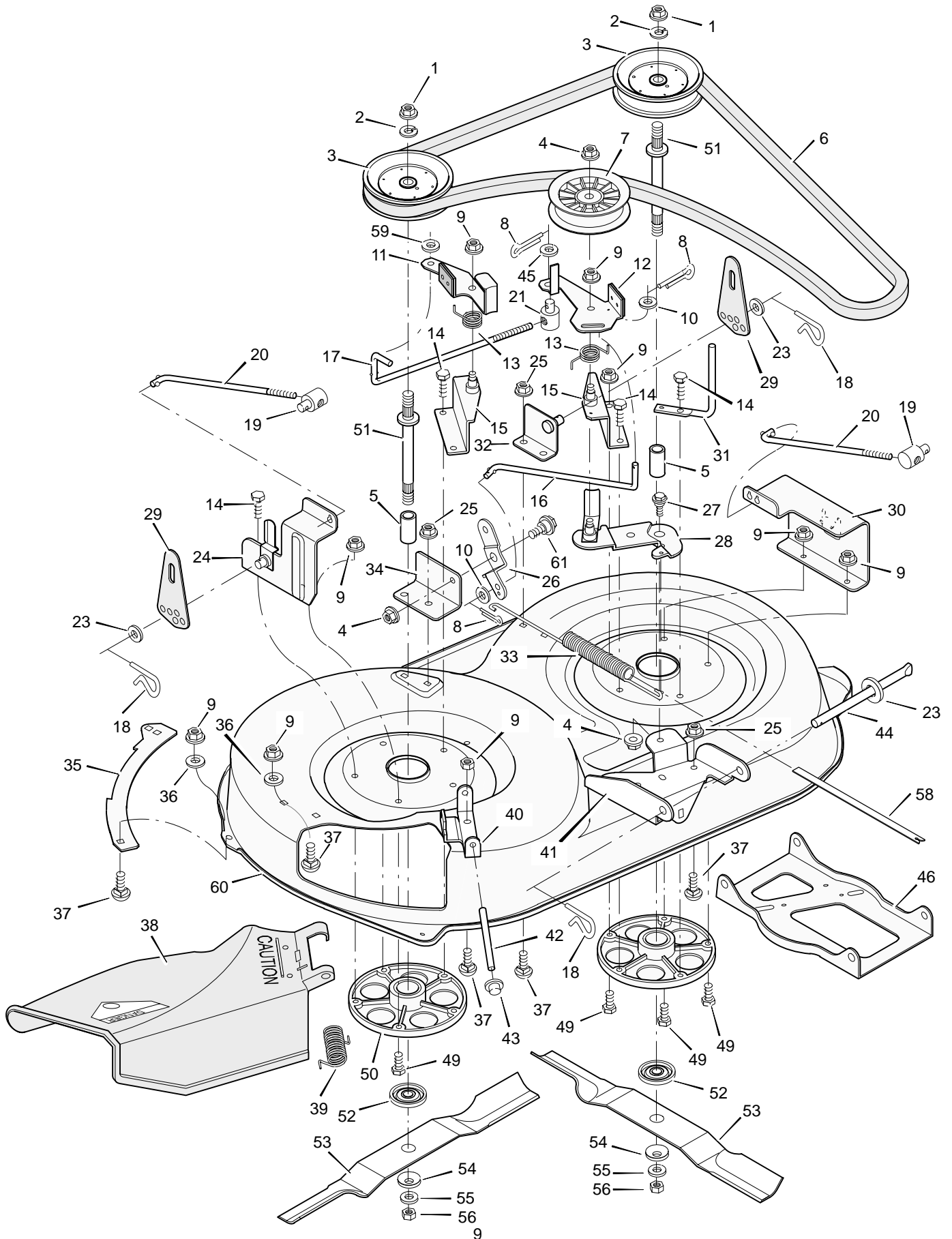
# REPAIR PARTS MOWER HOUSING SUSPENSION

Key No.	Description	Part No.
1	Grip	92698
2	Control, Blade Rotation	92238Z
3	Bolt, Hex	25x3
4	Locknut, Hex	15x67
5	Lever Assembly, Switch	91917E701
6	Bolt, Carriage	2x53
7	Spring, Torsion	166x32
8	Bracket, Rear Hanger	92066E701
9	Nut, Flange	15x79
10	Nut, Adjusting	92131
11	Bracket, Adjuster Rod	92133E701
12	Washer	17x124
13	Pin, Hair	31x4
14	Washer	17x122
15	Pin, Pull	90827Z
17	Lever, Lower Blade Control	91787E701
18	Rod, Blade Control	91795Z
19	Plate, Adjuster (2)	92702E701
20	Washer	17x103
21	Bracket, Pivot	92033E701
22	Lifter Assembly	92065E701
23	Button, Push	92572
24	Grip	92783
25	Spring, Compression	164x21
26	Handle Assembly	91823E701
27	Screw	26x49
29	Washer	17x47Z
30	Washer	17x91Z
31	Cover, Lift Lever (Optional)	92157
32	Screw	26x263
33	Nut, Adjusting	21920



# MODEL 40908x70B

# REPAIR PARTS MOWER HOUSING



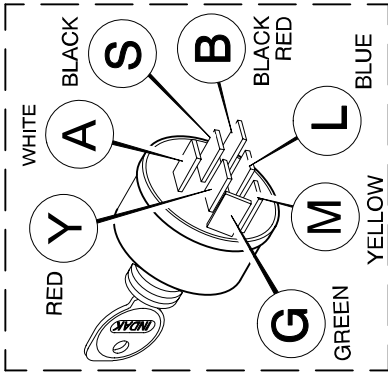
# MODEL 40908x70B

# REPAIR PARTS MOWER HOUSING

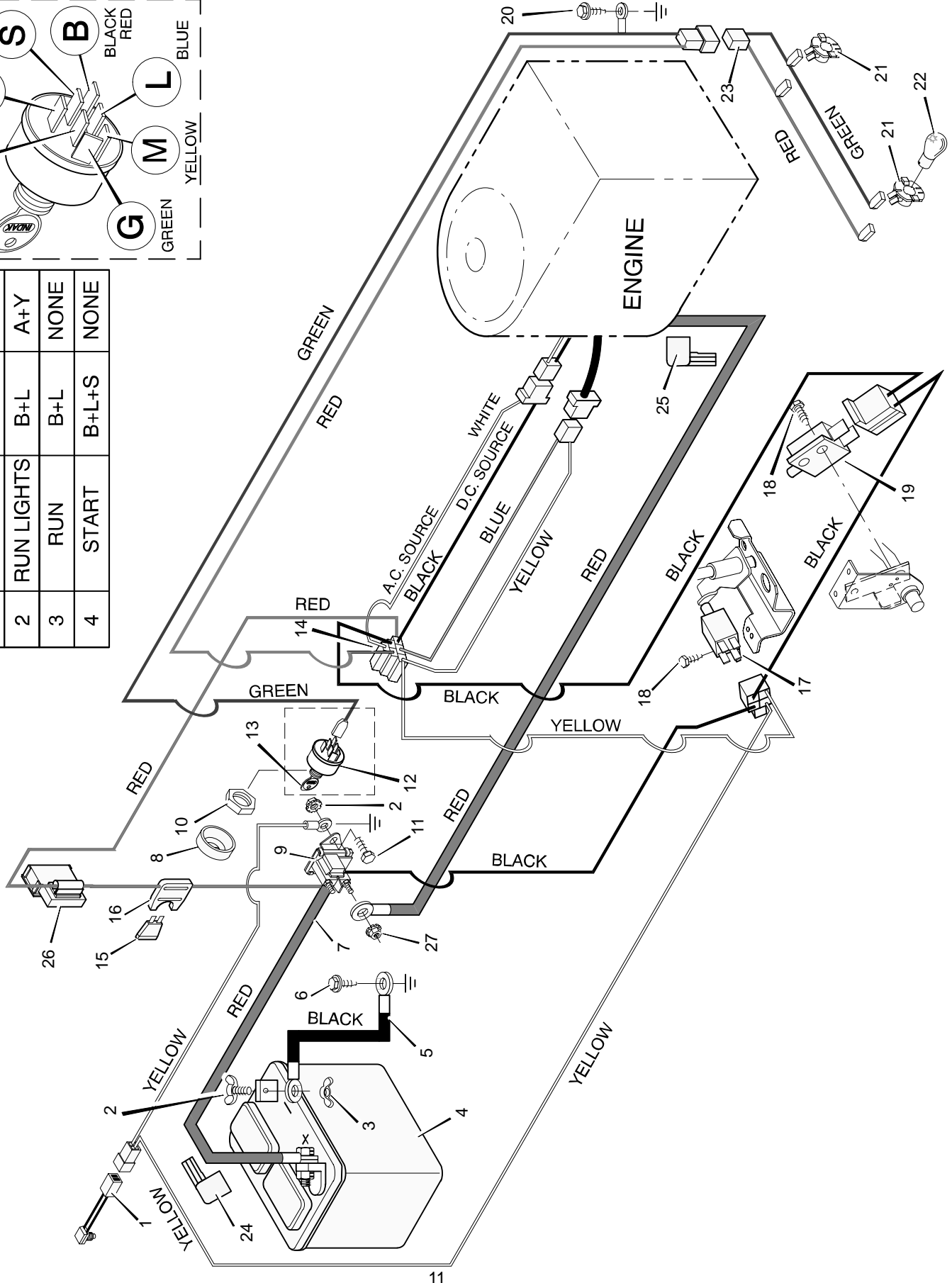
Key No.	Description	Part No.	Key No.	Description	Part No.
1	Nut, Hex	15x100	31	Guide, Belt	91797E701
2	Lockwasher	18x33	32	Bracket Assembly, Left Lifter	91813E701
3	Pulley, Jackshaft	91943	33	Spring, Extension	165x72
4	Locknut, Flange	15x84	34	Bracket, Pivot	91743E701
5	Spacer	91903	35	Plate	91770E701
6	Belt, Blade Drive	37x62	36	Washer	17x57
7	Pulley, Idler	91801	37	Bolt, Carriage	2x53
8	Pin, Cotter	30x20	38	Deflector Assembly, Chute	92465
9	Locknut, Flange	15x88	39	Spring, Torsion	166x4
10	Washer	17x46Z	40	Bracket, Hinge	91765E701
11	Brake Assembly, Right	92186E701	41	Bracket, Front Hanger	91875E701
12	Brake Assembly, Left	92187E701	42	Rod, Deflector	91767Z
13	Spring, Torsion	166x27	43	Cap, Push On	28x23
14	Bolt, Hex	25x7	44	Rod, Hanger	91739Z
15	Bracket Assembly, Brake	92072E701	45	Washer	17x124
16	Rod, Brake	91745Z	46	Hanger, Front	92119E701
17	Rod, Cross Link	92183Z	49	Bolt, Hex	1x84
18	Pin, Hair	31x4	50	Housing, Jackshaft	90905
19	Nut, Adjustable	92131	51	Jackshaft	91922
20	Rod, Adjuster	91872Z	52	Adapter, Blade	92466
21	Nut, Adjustable	21920	53	Blade, 40" (2 required)	92002E701
23	Washer	17x103	54	Washer, Belleville	17x166
24	Bracket Assembly, Right Lifter	92194E701	55	Washer	17x165
25	Nut, Flange	15x79	56	Nut, Hex	15x100
26	Bracket, Pivot	92033E701	58	Indicator, Plastic	92163
27	Bolt, Shoulder	9x39	59	Washer	17x48
28	Arm Assembly, Idler	92032E701	60	Housing, Blade (40")	91907E701
29	Plate, Adjuster	92702E701	61	Bolt, Shoulder	9x42
30	Cover, Pulley	91792E701	1-61	Complete Mower Housing Assembly	403229

# MODEL 40908x70B

# REPAIR PARTS ELECTRICAL SYSTEM



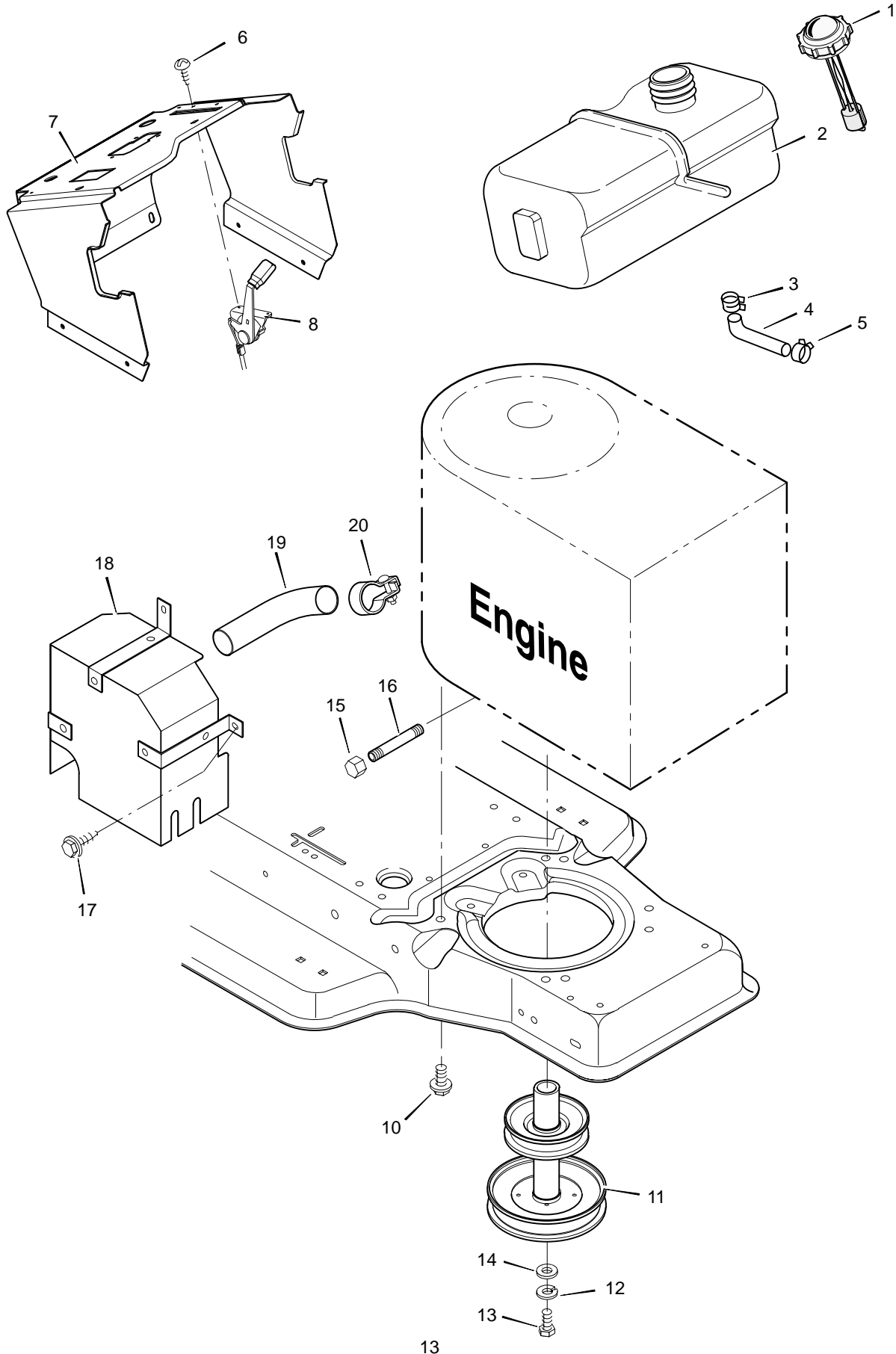
POS.	FUNCTION	CIRCUIT	(MAKE)
1	OFF	G+M+L	NONE
2	RUN LIGHTS	B+L	A+Y
3	RUN	B+L	NONE
4	START	B+L+S	NONE



<b>Key No.</b>	<b>Description</b>	<b>Part No.</b>
1	Switch, Seat Sensor	91031
2	Bolt	6x99
3	Wingnut	14x79
4	Battery	21075
—	Acid, Battery (Electrolyte)	90665
5	Cable, Battery Ground	24x9
6	Screw	26x249
7	Cable, Red Battery	24x29
8	Cap, Ignition	91488
9	Solenoid	24285
10	Nut	91489
11	Screw	26x214
12	Switch, Ignition	92556
13	Key, Ignition	20729
14	Harness, Chassis Wire	250x61
15	Fuse	54212
16	Holder, Fuse	407078
18	Screw	26x233
19	Switch, Clutch	24273
20	Screw	25x2
21	Socket, Light	92372
22	Bulb, Light	90084
23	Harness, Light Wire	250x40
24	Cover, Terminal	54148
25	Cover, (Optional)	24196
26	Ammeter	93156
27	Locknut	15x116

# MODEL 40908x70B

# REPAIR PARTS ENGINE MOUNT



<b>Key No.</b>	<b>Description</b>	<b>Part No.</b>
1	Fuel Cap	91348
2	Fuel Tank	92597
3	Hose Clamp	91174
4	Fuel Line	90671
5	Hose Clamp	91174
6	Screw	26x201
7	Support, Dash	93136E701
8	Throttle Control	92371
9	Engine*	——
10	Bolt, Engine Mount	25x7
11	Stack Pulley Assembly	93244Z
12	Lockwasher	19x35
13	Bolt, Hex	1x140
14	Washer	17x170
15	Cap, Oil Drain	21651
16	Pipe, Oil Drain	24066
17	Screw	26x263
18	Shield, Heat	92550E701
19	Pipe, Exhaust	92855E701
20	Clamp	92558

\* Parts are available from a Briggs & Stratton Authorized Service Center. See "Engines, Gasoline" or "Gasoline Engines" in the yellow pages of the telephone directory.