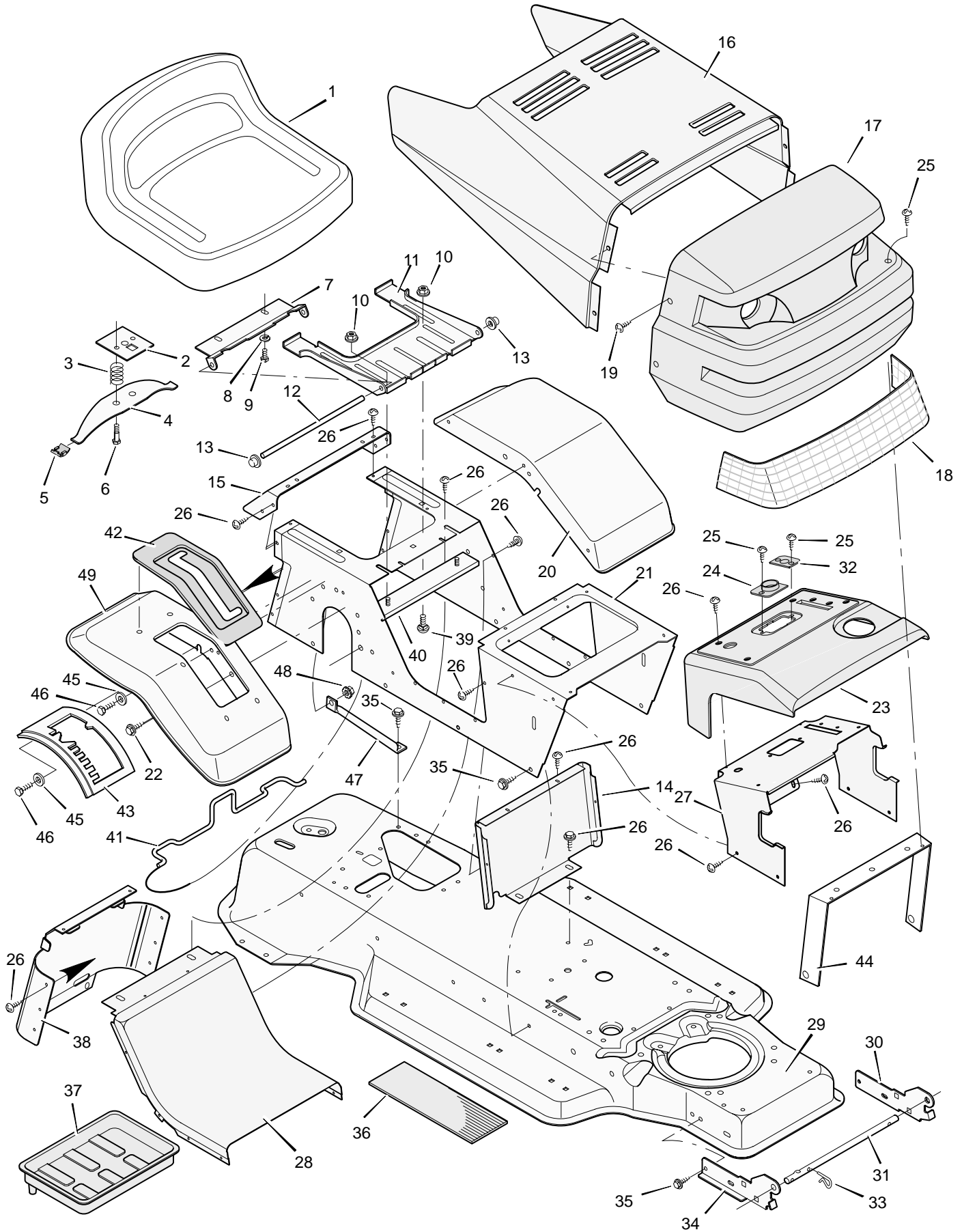


# MODEL 40708x20D

# REPAIR PARTS CHASSIS & HOOD



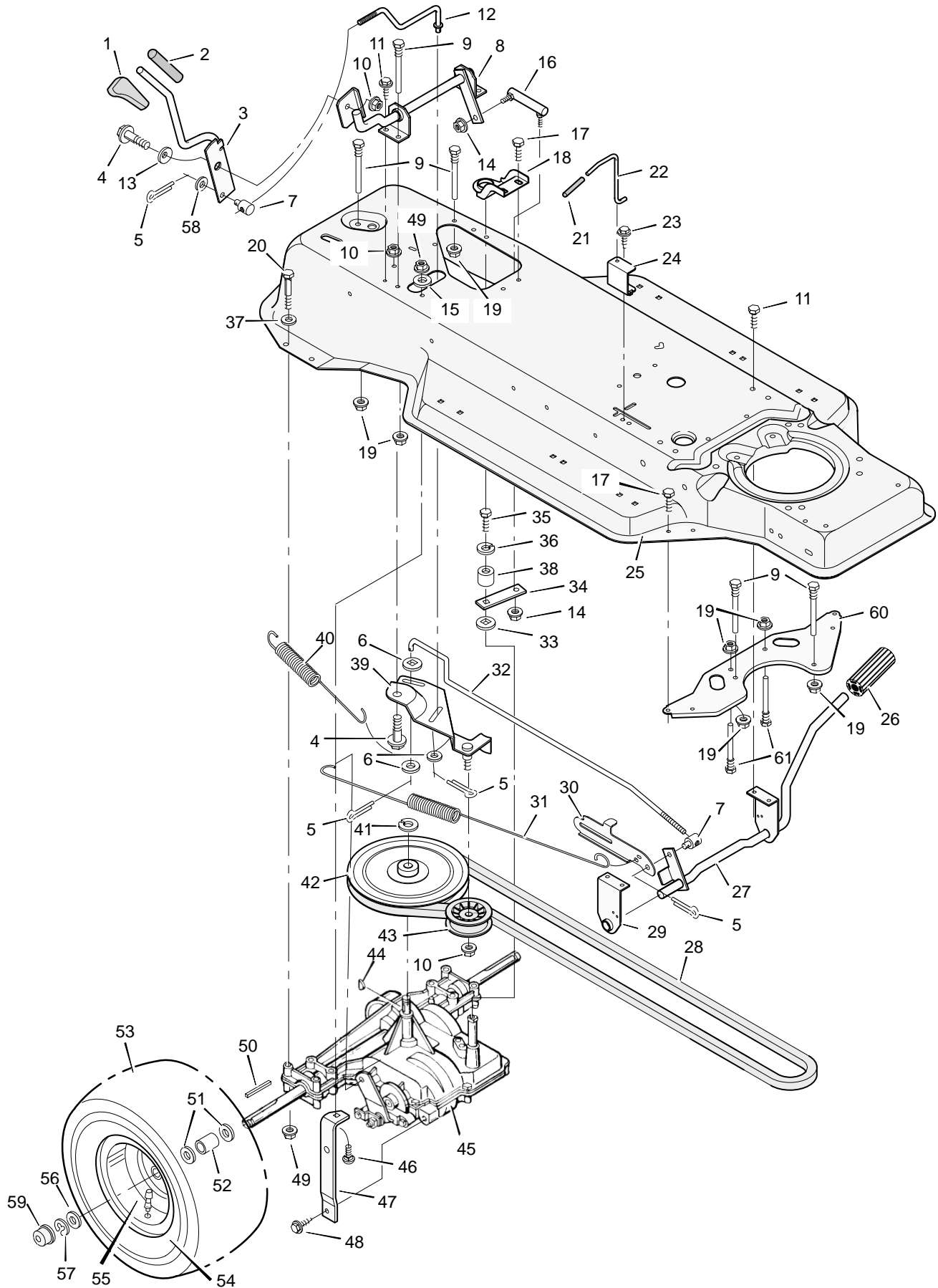
# MODEL 40708x20D

# REPAIR PARTS CHASSIS & HOOD

Key No.	Description	Part No.	Key No.	Description	Part No.
1	Seat	91965	30	Bracket, Left Grille	92347E701
2	Plate Assembly, Switch	91963Z	31	Rod, Pivot	92332Z
3	Spring, Compression	164x26	32	Bearing	92398
4	Spring, Seat	91964	33	Pin, Hair	31x4
5	Glide, Spring	91822	34	Bracket, Right Grille	92346E701
6	Bolt, Shoulder	9x38	35	Screw	26x249
7	Support, Seat	92334E701	36	Mat	91900
8	Lockwasher	18x16	37	Tray, Battery	91895
9	Bolt, Hex	1x45	38	Cap, Console	92443F200
10	Locknut, Flange	15x88	39	Bolt	2x64
11	Bracket, Pivot	92546E701	40	Channel Assembly	91857E701
12	Rod, Pivot	91730E701	41	Clamp, Battery	92725Z
13	Cap, Push On	28x23	42	Cover, Shift	91905
14	Insert, Front	92548F200	43	Gate, Shift	91892
15	Fender, Apron	91724E701	44	Brace, Grille	92448Z
16	Hood	92333F200	45	Washer	17x38Z
17	Grille Assembly (includes Lens)	92350	46	Bolt, Hex	1x38
18	Lens	92344	47	Strut, Shifter	91910E701
19	Screw	9x47	48	Locknut	15x66
20	Fender	92328F200	49	Fender, SOG	92379F200
21	Console Assembly	92729F200	—	Book, Instruction (English)	F-96841
22	Screw	26x263	—	Repair Parts Book	F-96842
23	Dash Panel	92605F200	—	Decal, Left Hood	44x3043
24	Bearing, Steering	92399	—	Decal, Right Hood	44x3042
25	Screw	26x239	—	Decal, Left Console	44x4309
26	Screw	26x270	—	Decal, Right Console	44x5444
27	Support, Dash	92331E701	—	Decal, Warning	44x5940
28	Insert, Rear	92549F200	—	Plaque, Name (Hood)	280x57
29	Frame Assembly	92515F200			

# MODEL 40708x20D

# REPAIR PARTS MOTION DRIVE



# MODEL 40708x20D

# REPAIR PARTS MOTION DRIVE

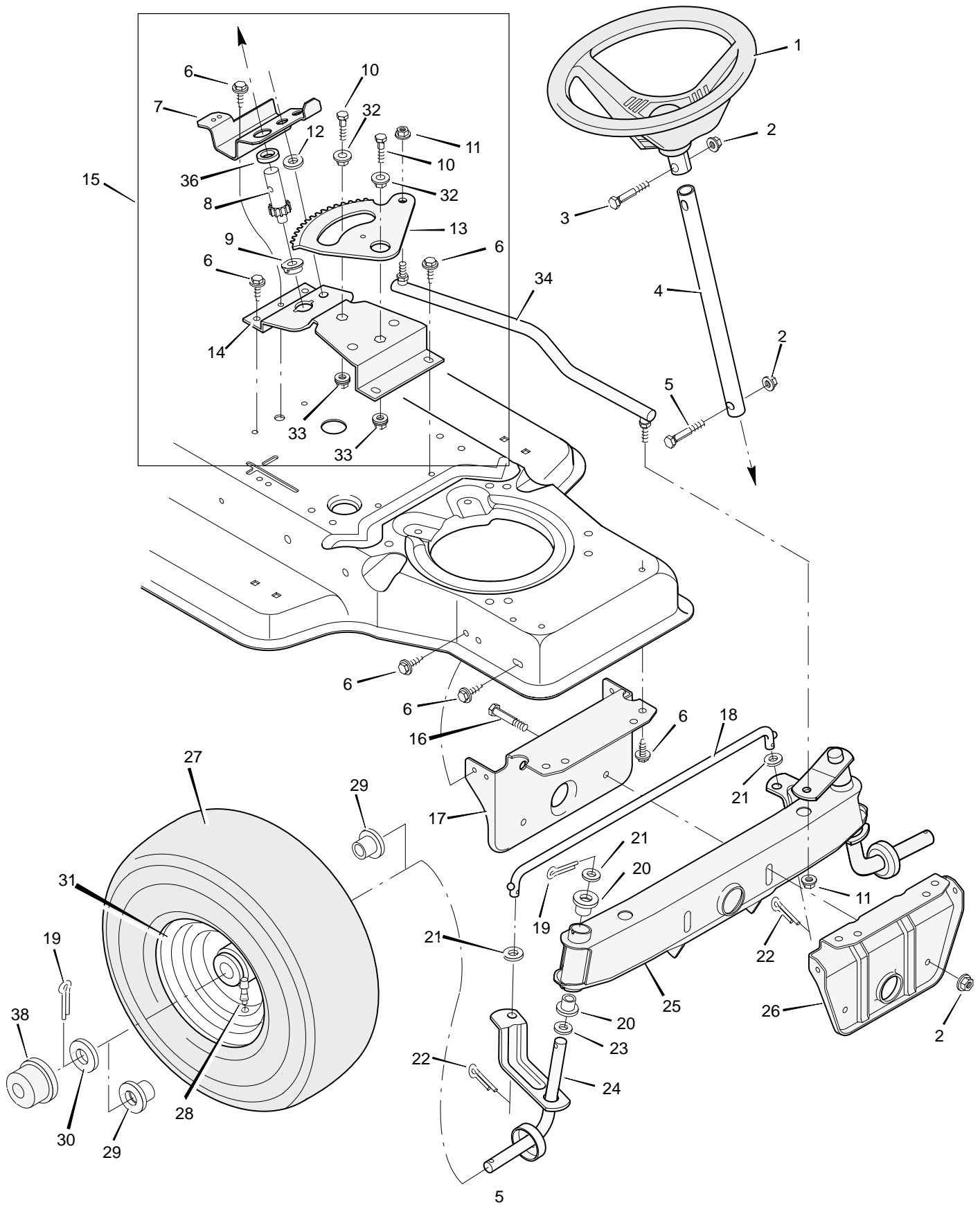
Key No.	Description	Part No.	Key No.	Description	Part No.
1	Grip	92697	33	Washer	17x148
3	Handle, Shift	92031Z	34	Yoke, Shift	92041Z
4	Bolt, Shoulder	9x39	35	Bolt, Hex	1x145
5	Pin, Cotter	30x20	36	Lockwasher	18x32
6	Washer	17x47Z	37	Washer	17x146Z
7	Nut, Adjustable	21920	38	Pilot, Support	91889
8	Shifter Assembly	92043E701	39	Bracket Assembly, Idler	92737Z
9	Guide, Belt	91754	40	Spring, Motion Drive	165x76
10	Locknut, Flange	15x84	41	Ring, Retainer	11x7
11	Screw	26x249	42	Pulley, Motion Drive	91807
12	Link, Clutch	91877	43	Pulley, Backside Idler	91179
13	Washer, Curved	20x1	44	Key, Woodruff	20697
14	Locknut, Flange	15x87	45	Transaxle, Complete (Peerless)	†
15	Washer	17x45	46	Bolt, Carriage	2x64
16	Link Assembly, Shifter	92085	47	Support, Transaxle	91804E701
17	Screw	26x249	48	Screw	26x216
18	Bracket, Support	91899Z	49	Locknut, Flange	15x88
19	Nut, Flange	15x79	50	Key, Square	21553
20	Bolt, Hex	1x124	51	Washer	17x160
21	Grip	92724	52	Spacer, Transaxle	87x100Z
22	Rod, Control	91727E701	53	Tire (Included with Key No. 54) *	91914
23	Screw	26x214	—	Tube (Included with Key No. 54)	407049
24	Guide, Bracket	91825E701	54	Wheel and Tire Assembly	92289–601
25	Frame Assembly	92515F200	55	Valve Stem	24373
26	Pedal, Clutch/Brake	21544	56	Washer	17x115
27	Lever Assembly	91862E701	57	E–Ring	11x3
28	Belt, Motion Drive	37x61	58	Washer	17x53Z
29	Bracket, Lever Support	91713E701	59	Hub Cap (Optional)	24582
30	Latch, Park Brake	91712Z	60	Plate, Belt Guide	92694E701
31	Spring, Brake Extension	165x82	61	Guide, Belt	20619
32	Rod, Clutch	91808Z			

\* When you order a tire, make sure to give the brand name of the tire so that the tread pattern on the tire will match.

† Parts are available from a Tecumseh Authorized Service Center. See “Engines, Gasoline” or “Gasoline Engines” in the yellow pages of the telephone directory.

# MODEL 40708x20D

# REPAIR PARTS STEERING

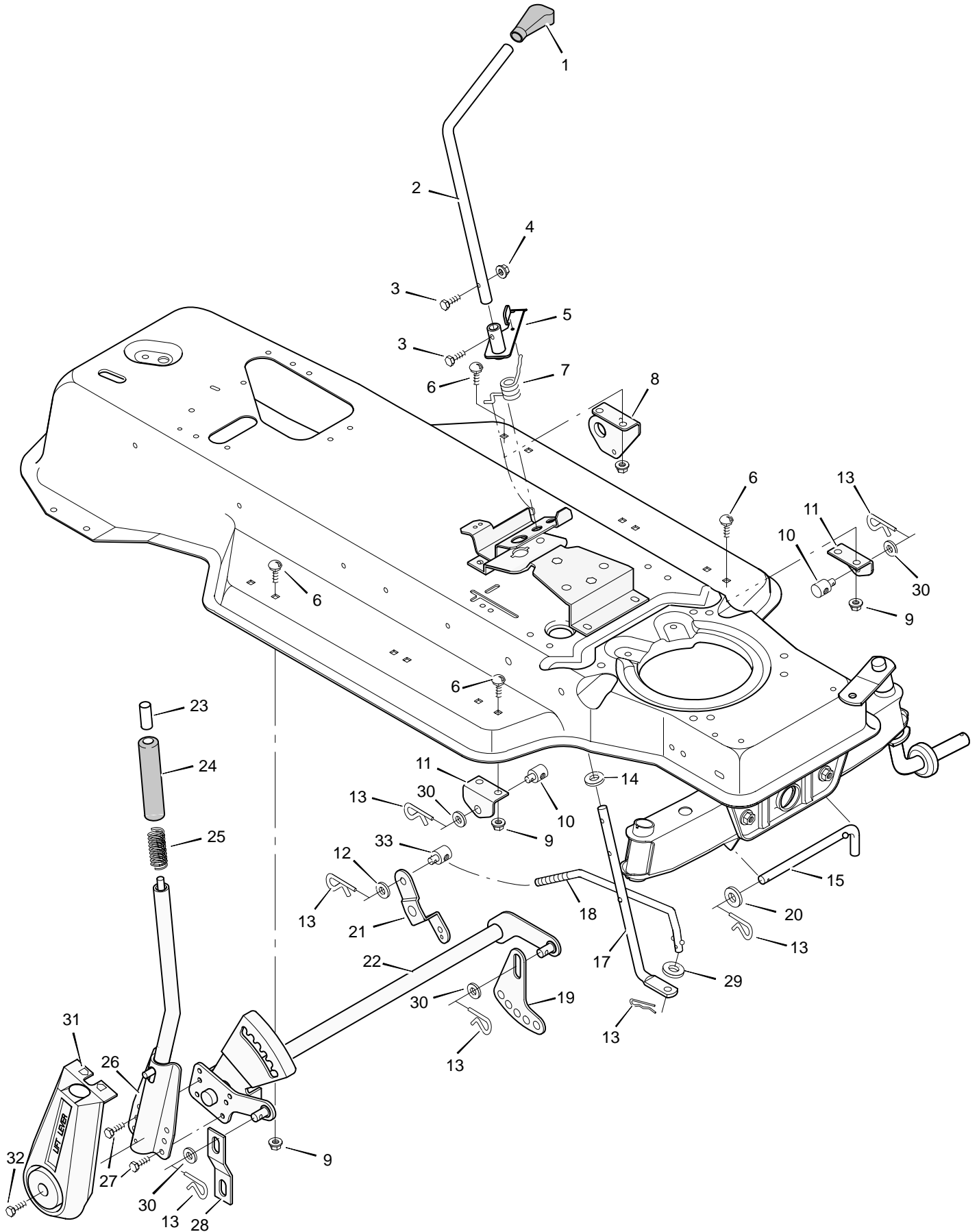


<b>Key No.</b>	<b>Description</b>	<b>Part No.</b>
1	Wheel, Steering	92078
2	Nut, Hex	15x118
3	Bolt, Hex	1x66
4	Post, Steering	91714Z
5	Bolt, Hex	1x74
6	Screw	26x249
7	Bracket, Sector	91716E701
8	Gear, Pinion	92715
9	Bearing	91756
10	Bolt, Hex	1x84
11	Locknut, Flange	15x87
12	Spacer	92564
13	Gear, Sector	92316
14	Bracket, Sector	91708E701
15	Kit, Steering Gear	402075
16	Bolt, Hex	1x146
17	Support, Rear Axle	92529E701
18	Rod, Tie	90038E701
19	Pin, Cotter	30x49
20	Bearing	92527
21	Washer	17x57
22	Pin, Cotter	30x20
23	Washer	17x113
24	Spindle Assembly, Right	91828E701
25	Spindle Assembly, Axle & Left	92518E701
26	Support, Front Axle	92528E701
27	Tire*	91912
—	Tube	407047
28	Stem, Valve	24373
29	Bearing, Wheel	91334
30	Washer	17x115
31	Wheel & Tire Assembly	92287-601
32	Bearing	92097
33	Locknut, Flange	15x113
34	Link, Drag	91749E701
36	Spacer, Pinion Gear	92280
38	Hub Cap (Optional)	24582

\* When you order a tire, make sure to give the brand name of the tire so that the tread pattern on the tire will match.

# MODEL 40708x20D

# REPAIR PARTS MOWER HOUSING SUSPENSION



# MODEL 40708x20D

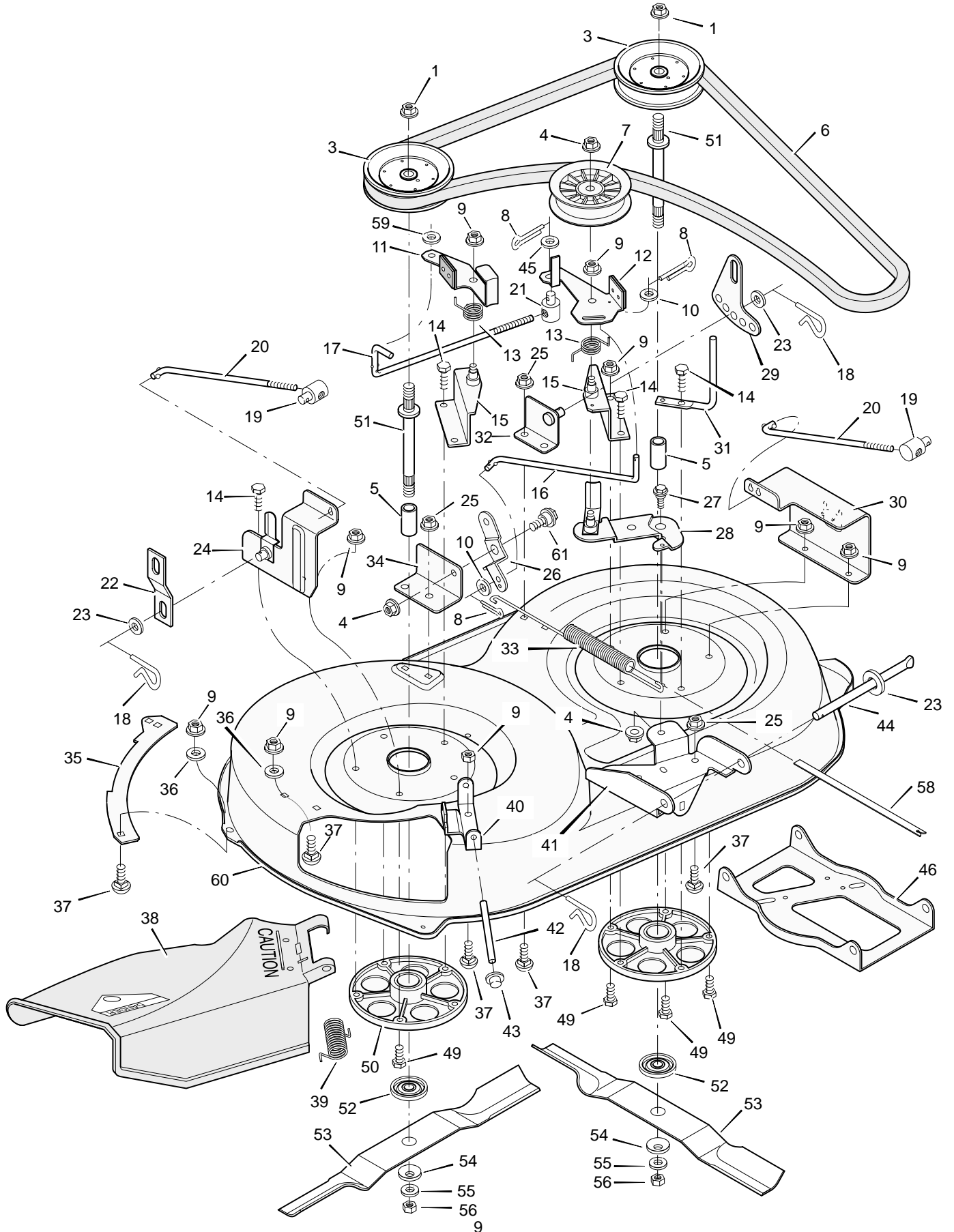
# REPAIR PARTS MOWER HOUSING SUSPENSION

Key No.	Description	Part No.
1	Grip	92698
2	Control, Blade Rotation	91781Z
3	Bolt, Hex	25x3
4	Locknut, Hex	15x67
5	Lever Assembly, Switch	91917E701
6	Bolt, Carriage	2x53
7	Spring, Torsion	166x32
8	Bracket, Rear Hanger	92066E701
9	Nut, Flange	15x79
10	Nut, Adjusting	92131
11	Bracket, Adjuster Rod	92133E701
12	Washer	17x124
13	Pin, Hair	31x4
14	Washer	17x122
15	Pin, Pull	90827Z
17	Lever, Lower Blade Control	91787E701
18	Rod, Blade Control	91795Z
19	Plate, Adjuster	91741E701
20	Washer	17x103
21	Bracket, Pivot	92033E701
22	Lifter Assembly	92065E701
23	Button, Push	92572
24	Grip	92783
25	Spring, Compression	164x21
26	Handle Assembly	91823E701
27	Screw	26x49
28	Link, Suspension	92064E701
29	Washer	17x47Z
30	Washer	17x91Z
31	Cover, Lift Lever (Optional)	92157
32	Screw	26x263
33	Nut, Adjusting	21920



# MODEL 40708x20D

# REPAIR PARTS MOWER HOUSING



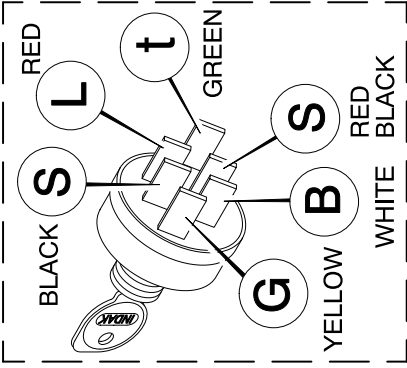
# MODEL 40708x20D

# REPAIR PARTS MOWER HOUSING

Key No.	Description	Part No.	Key No.	Description	Part No.
1	Nut, Hex	15x121	31	Guide, Belt	91797E701
3	Pulley, Jackshaft	92851	32	Bracket Assembly, Left Lifter	91813E701
4	Locknut, Flange	15x84	33	Spring, Extension	165x72
5	Spacer	92850	34	Bracket, Pivot	91743E701
6	Belt, Blade Drive	37x62	35	Plate	91770E701
7	Pulley, Idler	91801	36	Washer	17x57
8	Pin, Cotter	30x20	37	Bolt, Carriage	2x53
9	Locknut, Flange	15x88	38	Deflector Assembly, Chute	92465
10	Washer	17x46Z	39	Spring, Torsion	166x4
11	Brake Assembly, Right	92186E701	40	Bracket, Hinge	91765E701
12	Brake Assembly, Left	92187E701	41	Bracket, Front Hanger	91875E701
13	Spring, Torsion	166x27	42	Rod, Deflector	91767Z
14	Bolt, Hex	25x7	43	Cap, Push On	28x23
15	Bracket Assembly, Brake	92072E701	44	Rod, Hanger	91739Z
16	Rod, Brake	91745Z	45	Washer	17x124
17	Rod, Cross Link	92183Z	46	Hanger, Front	92119E701
18	Pin, Hair	31x4	49	Bolt, Hex	1x84
19	Nut, Adjustable	92131	50	Housing, Jackshaft	90905
20	Rod, Adjuster	91872Z	51	Jackshaft	92849
21	Nut, Adjustable	21920	52	Adapter, Blade	92466
22	Link, Suspension	92064E701	53	Blade, 40" (2 required)	92002E701
23	Washer	17x103	54	Washer, Belleville	17x166
24	Bracket Assembly, Right Lifter	92485E701	55	Washer	17x165
25	Nut, Flange	15x79	56	Nut, Hex	15x100
26	Bracket, Pivot	92033E701	58	Indicator, Plastic	92163
27	Bolt, Shoulder	9x39	59	Washer	17x48
28	Arm Assembly, Idler	92032E701	60	Housing, Blade (40")	91907E701
29	Plate, Adjuster	91741E701	61	Bolt, Shoulder	9x42
30	Cover, Pulley	92083E701	1-61	Complete Mower Housing Assembly	403229

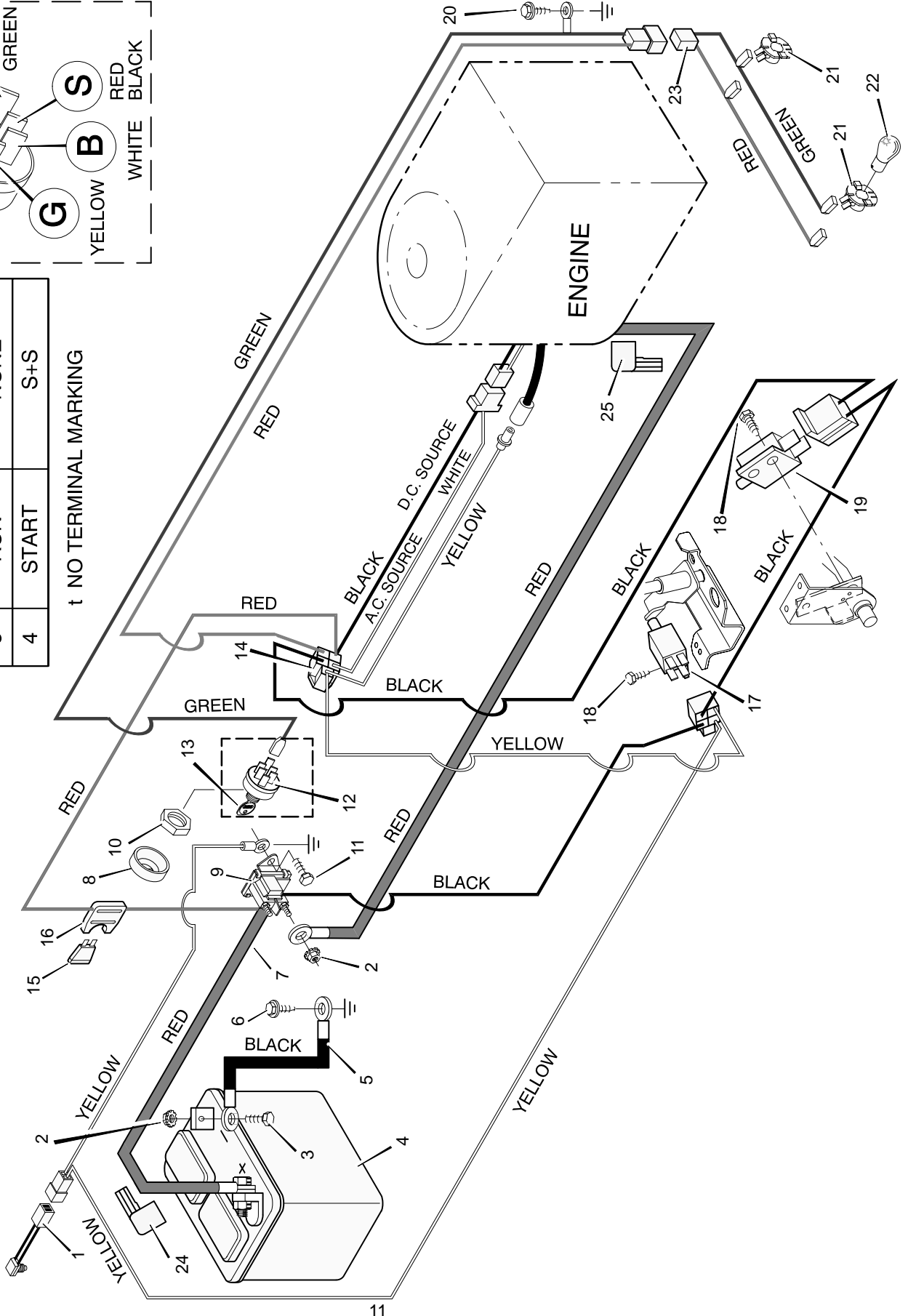
# MODEL 40708x20D

# REPAIR PARTS ELECTRICAL SYSTEM



POS.	FUNCTION	CIRCUIT (MAKE)
1	OFF	G+t
2	RUN LIGHTS	B+L
3	RUN	NONE
4	START	S+S

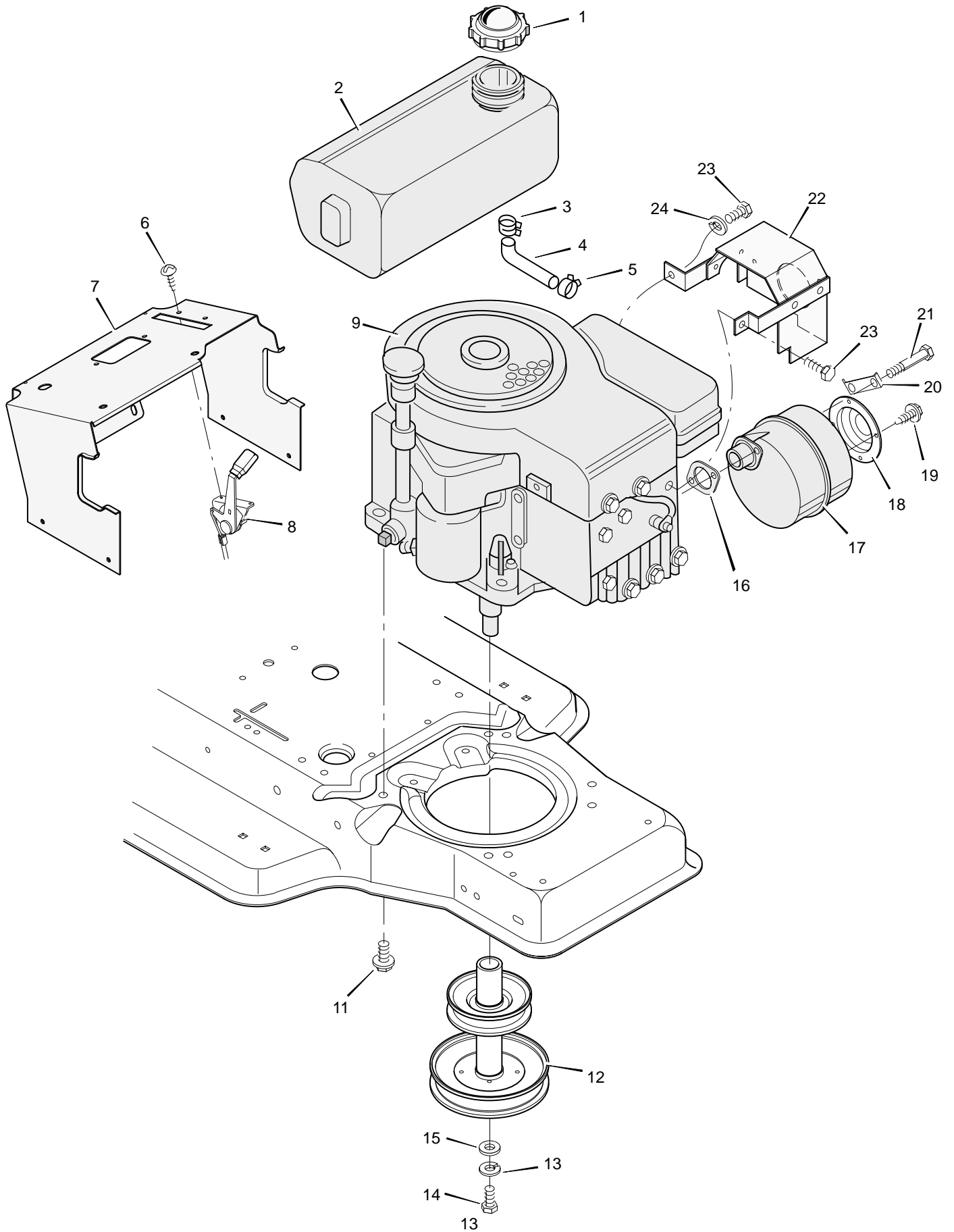
t NO TERMINAL MARKING



<b>Key No.</b>	<b>Description</b>	<b>Part No.</b>
1	Switch, Seat Sensor	91031
2	Locknut	15x116
3	Bolt, Hex	1x38Z
4	Battery	91414
—	Acid, Battery (Electrolyte)	55702
5	Cable, Battery Ground	24x9
6	Screw	26x249
7	Cable, Red Battery	24x29
8	Cap, Ignition	91488
9	Solenoid	24285
10	Nut	91489
11	Screw	26x214
12	Switch, Ignition	92377
13	Key, Ignition	20729
14	Harness, Chassis Wire	250x50
15	Fuse	54212
16	Holder, Fuse	407078
17	Switch, Clutch	91299
18	Screw	26x233
19	Switch, Clutch	24273
20	Screw	25x2
21	Socket, Light	92372
22	Bulb, Light	90084
23	Harness, Light Wire	250x40
24	Cover, Terminal	54148

# MODEL 40708x20D

# REPAIR PARTS ENGINE MOUNT



# MODEL 40708x20D

# REPAIR PARTS ENGINE MOUNT

Key No.	Description	Part No.
1	Fuel Cap	92317
2	Fuel Tank	92342
3	Hose Clamp	91174
4	Fuel Line	23717
5	Hose Clamp	23713
6	Screw	26x201
7	Support, Dash	92331E701
8	Throttle Control	92371
9	Engine*	_____
11	Bolt, Engine Mount	25x7
12	Stack Pulley Assembly	92318
13	Lockwasher	19x35
14	Bolt, Hex	1x140
15	Washer	17x170
16	Gasket	91309
17	Muffler	91271
18	Deflector, Muffler	23740Z
19	Screw	26x208
20	Lock, Screw	92378
21	Bolt	1x134
22	Shield, Heat	92381 SE
23	Bolt	25x2
24	Washer	18x32

\* Parts are available from a Briggs & Stratton Authorized Service Center. See "Engines, Gasoline" or "Gasoline Engines" in the yellow pages of the telephone directory.