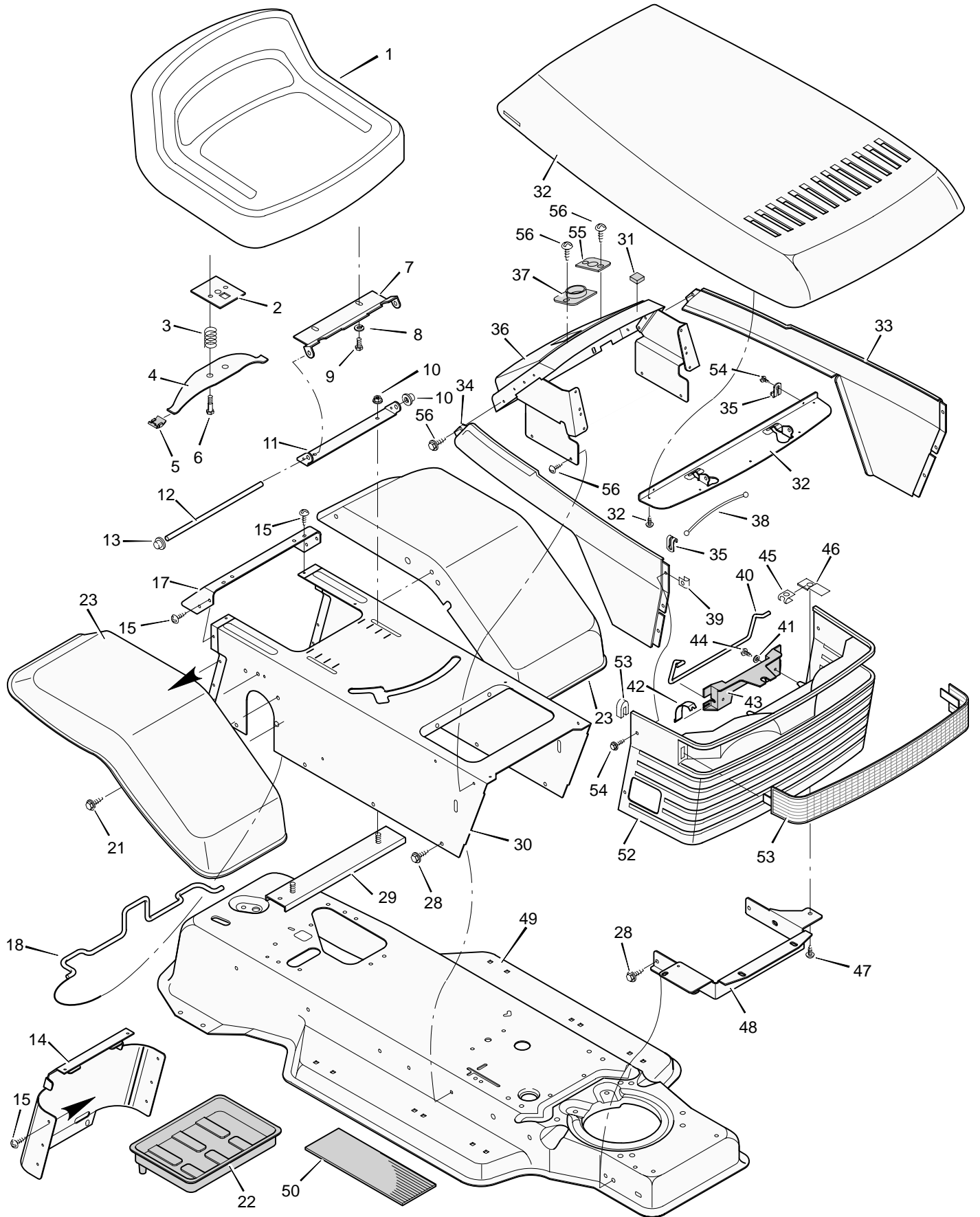


MODEL 40615x66A

REPAIR PARTS CHASSIS & HOOD



MODEL 40615x66A

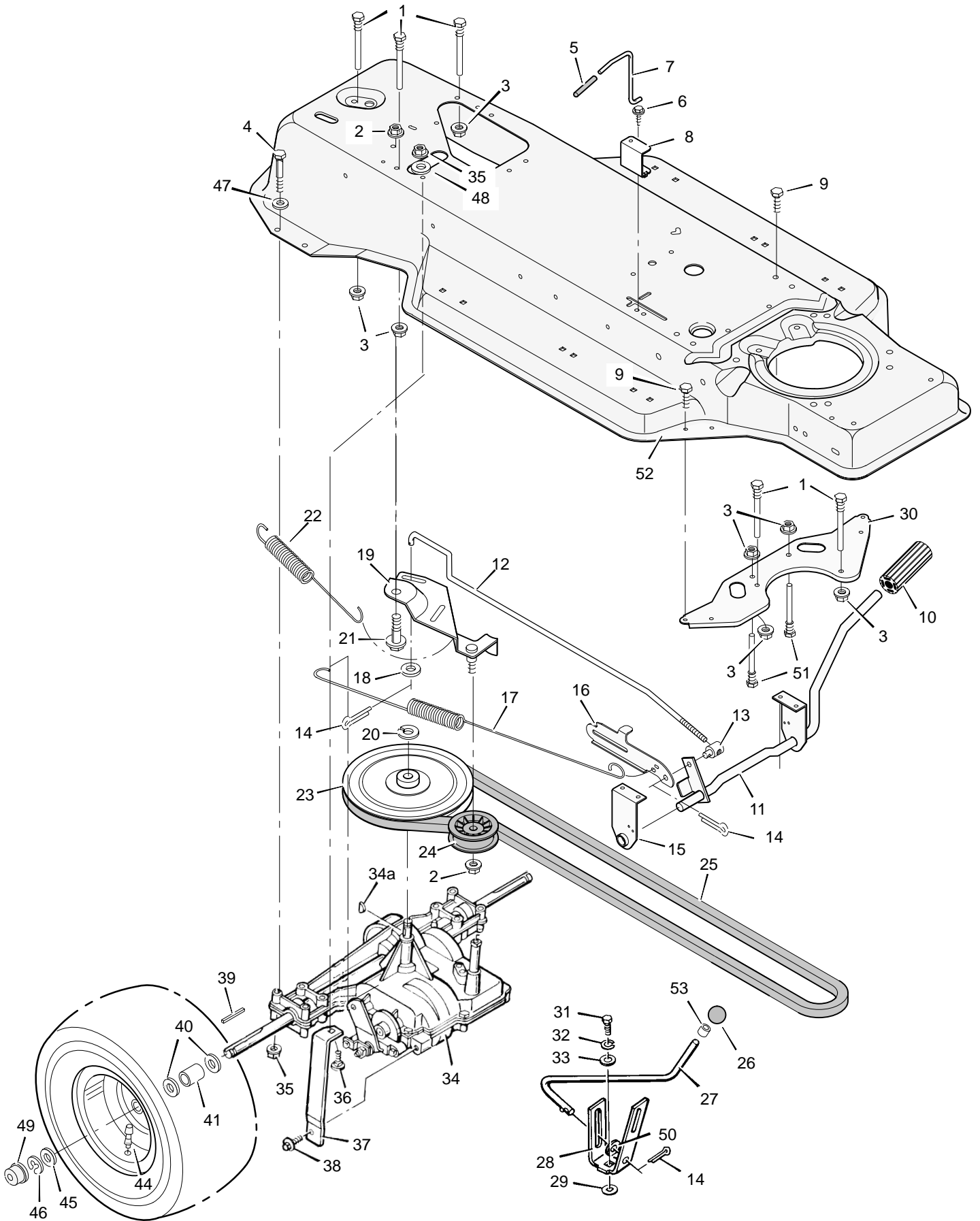
REPAIR PARTS CHASSIS & HOOD

Key No.	Description	Part No.	Key No.	Description	Part No.
1	Seat	92387	37	Bearing, Steering	93135
2	Plate Assembly, Switch	91963	38	Cable	92087
3	Spring, Compression	164x26	39	U-Fastener	28x59
4	Spring, Seat	91964	40	Rod, Hinge	91980Z
5	Glide, Spring	91822	41	Washer	17x38Z
6	Bolt, Shoulder	9x38	42	Spring, Hood	91979
7	Support, Seat	92334E701	43	Bracket, Hood Mount	91978
8	Lockwasher	18x16	44	Screw	26x253
9	Bolt, Hex	1x45	45	Nut, Speed	28x61
10	Locknut, Flange	15x88	46	Shield, Heat	92005Z
11	Bracket, Pivot	91729E701	47	Screw	26x252
12	Rod, Pivot	91730E701	48	Support, Grille	91723E701
13	Cap, Push On	28x23	49	Frame Assembly	92815E701
14	Cap, Console	92443E701	50	Mat	91901
15	Screw	26x270	52	Grille	92284E245
17	Fender, Apron	91724E701	53	Lens *	91850
18	Clamp, Battery	92725	54	Screw	26x220
21	Screw	26x263	55	Bearing	93155
22	Tray, Battery	91895	56	Screw	26x238
23	Fender	91715E245	—	Instruction Book (English)	F-97774
28	Screw	26x249	—	Instruction Book (French)	F-97774FR
29	Channel Assembly	91857E701	—	Instruction Book (German)	F-97774GR
30	Console Assembly	92727E701	—	Repair Parts Book	F-97775
31	Trim, Edge	21765	—	Decal, Left Hood	44x4293
32	Hood Assembly	92089E245	—	Decal, Right Hood	44x4294
33	Panel, Left	93133E701	—	Decal, Left Console	44x6877
34	Panel, Right	91778E701	—	Decal, Right Console	44x6876
35	Clip, Cable	92013	—	Decal, Shift Pattern	44x6606
36	Dash Assembly	93175E701			

* Included with Key No. 52.

MODEL 40615x66A

REPAIR PARTS MOTION DRIVE



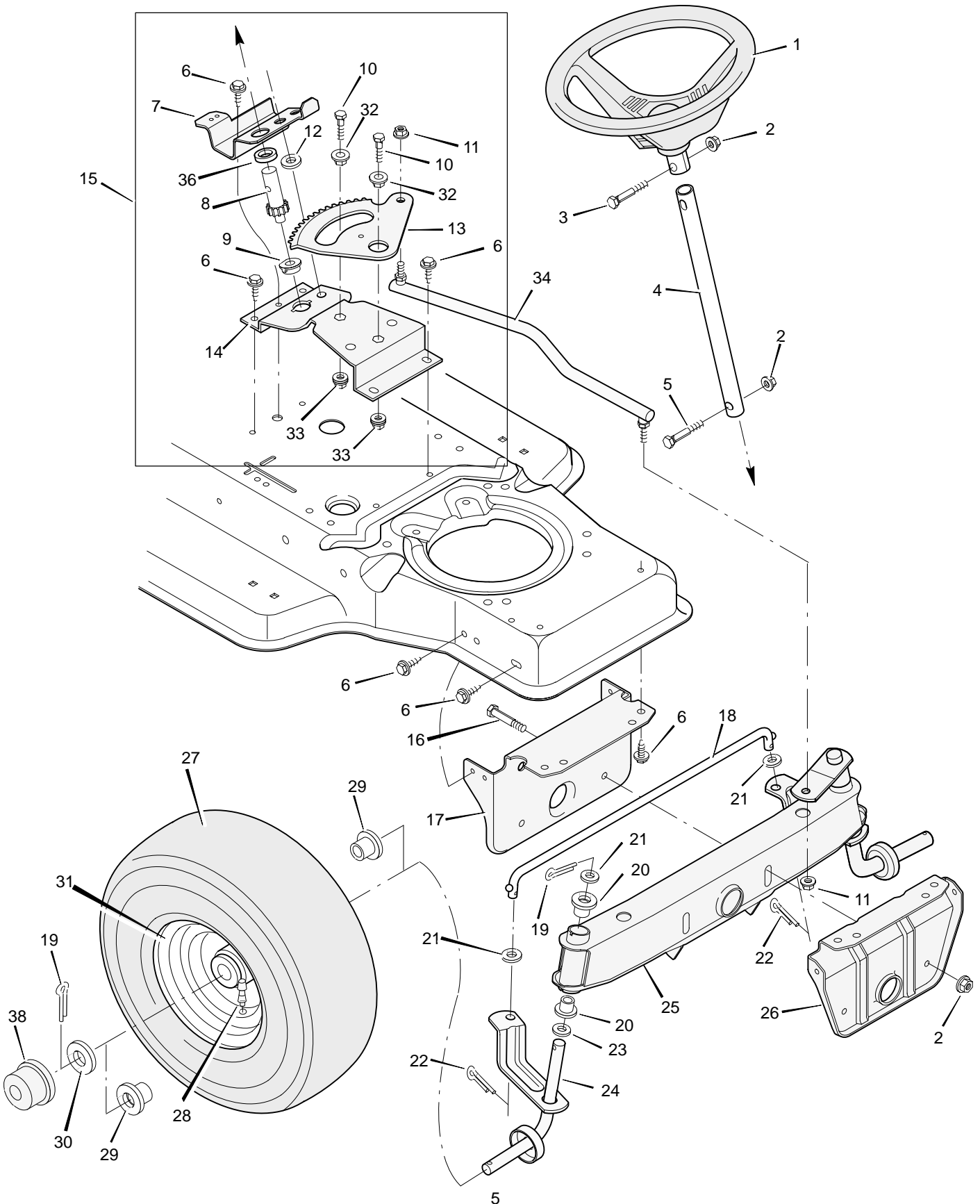
MODEL 40615x66A

REPAIR PARTS MOTION DRIVE

Key No.	Description	Part No.	Key No.	Description	Part No.
1	Guide, Belt	91754Z	29	Washer	17x148
2	Locknut, Flange	15x84	30	Plate, Belt Guide	92694E701
3	Nut, Flange	15x79Z	31	Bolt, Hex	1x145
4	Bolt, Hex	1x124	32	Lockwasher	18x32
5	Grip	92724	33	Washer	17x180
6	Screw	26x214	34	Transaxle – Peerless **	—
7	Rod, Control	91727E701	34a	Woodruff Key No. 9	20697
8	Guide, Bracket	91825E701	35	Nut, Flange	15x88
9	Screw	26x249	36	Bolt, Carriage	2x64
10	Clutch and Brake Pedal	21544	37	Support, Transaxle	91804E701
11	Lever Assembly	91862E701	38	Screw	26x216
12	Rod, Clutch	91808Z	39	Key, Square	21553
13	Nut, Adjustable	21920	40	Washer	17x160
14	Pin, Cotter	30x20	41	Spacer, Transaxle	87x100Z
15	Bracket, Support	91713E701	42	Tire*	91914
16	Latch, Park Brake	91712Z	—	Tube	407049
17	Spring, Brake Extension	165x82	43	Wheel & Tire Assembly	92289–601
18	Washer	17x47Z	44	Stem, Valve	24373
19	Bracket Assembly, Idler	92737Z	45	Washer	17x197
20	Ring, Retainer	11x7	46	E–Ring	11x3
21	Bolt, Shoulder	9x39	47	Washer	17x146Z
22	Spring, Drive Extension	165x76	48	Washer	17x45
23	Pulley, Motion Drive	91807	49	Hub Cap (Optional)	94618
24	Pulley, Backside Idler	91179	50	Washer	17x102
25	Belt, Motion Drive	37x61	51	Guide, Belt	20619
26	Knob, Shift Lever	91995	52	Frame Assembly	92815E701
27	Lever, Shift	91805Z	53	Ring, Tolerance	92008
28	Yoke, Shift	91806Z			

* When you order a tire, make sure to give the brand name of the tire so that the tread pattern on the tire will match.

** For information on Replacement Parts see the Central Parts Distributor in your area.



MODEL 40615x66A

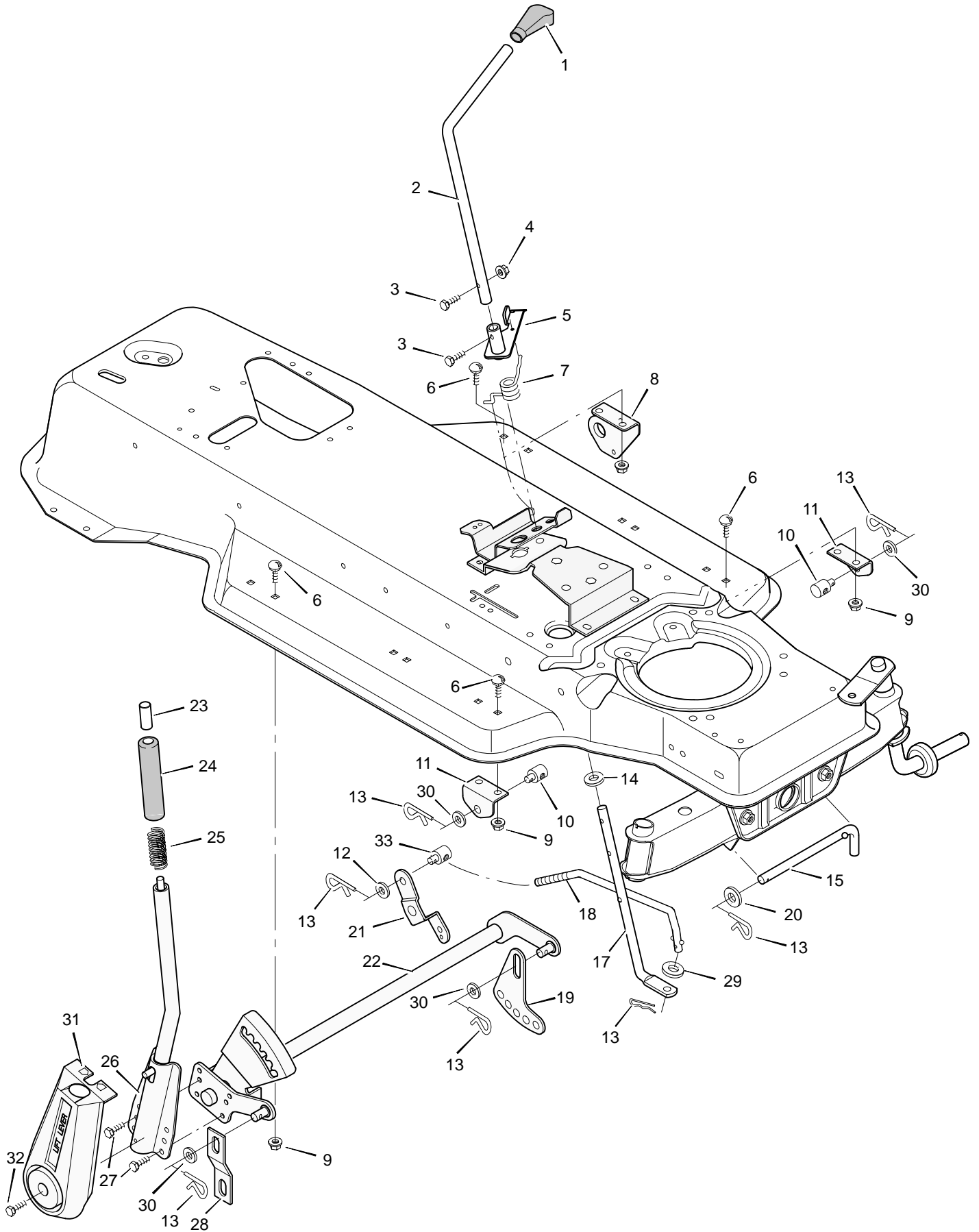
REPAIR PARTS STEERING

Key No.	Description	Part No.
1	Wheel, Steering	92078
2	Nut, Hex	15x118
3	Bolt, Hex	1x66
4	Post, Steering	91714Z
5	Bolt, Hex	1x74
6	Screw	26x249
7	Bracket, Sector	91716E701
8	Gear, Pinion	92715
9	Bearing	92716
10	Bolt, Hex	1x84
11	Locknut, Flange	15x87
12	Spacer	92564
13	Gear, Sector	92316
14	Bracket, Sector	91708E701
15	Kit, Steering Gear	402075
16	Bolt, Hex	1x146
17	Support, Rear Axle	92529E701
18	Rod, Tie	90038E701
19	Pin, Cotter	30x49
20	Bearing	92527
21	Washer	17x57
22	Pin, Cotter	30x20
23	Washer	17x113
24	Spindle Assembly, Right	91828E701
25	Spindle Assembly, Axle & Left	92519E701
26	Support, Front Axle	92528E701
27	Tire*	91912
—	Tube	407047
28	Stem, Valve	24373
29	Bearing, Wheel	91334
30	Washer	17x195
31	Wheel & Tire Assembly	94578-601
32	Bearing	92097
33	Locknut, Flange	15x113
34	Link, Drag	91749E701
36	Spacer, Pinion Gear	92280
38	Hub Cap (Optional)	94618

* When you order a tire, make sure to give the brand name of the tire so that the tread pattern on the tire will match.

MODEL 40615x66A

REPAIR PARTS MOWER HOUSING SUSPENSION



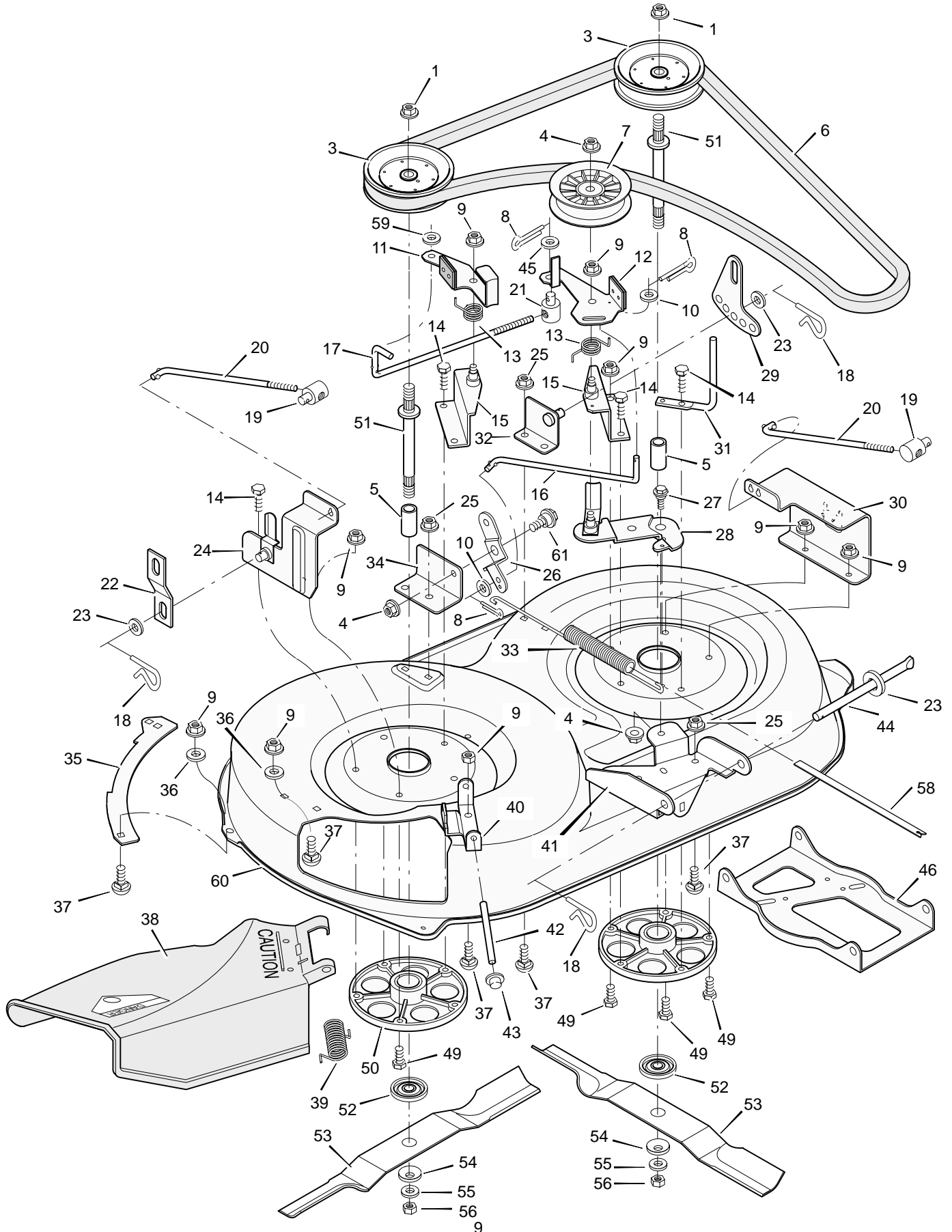
MODEL 40615x66A

REPAIR PARTS MOWER HOUSING SUSPENSION

Key No.	Description	Part No.
1	Grip	92698
2	Control, Blade Rotation	91781Z
3	Bolt, Hex	25x3
4	Locknut, Hex	15x67
5	Lever Assembly, Switch	91917E701
6	Bolt, Carriage	2x53
7	Spring, Torsion	166x32
8	Bracket, Rear Hanger	92066E701
9	Nut, Flange	15x79
10	Nut, Adjusting	92131
11	Bracket, Adjuster Rod	92133E701
12	Washer	17x124
13	Pin, Hair	31x4
14	Washer	17x122
15	Pin, Pull	90827Z
17	Lever, Lower Blade Control	91787E701
18	Rod, Blade Control	91795Z
19	Plate, Adjuster	91741E701
20	Washer	17x103
21	Bracket, Pivot	92033E701
22	Lifter Assembly	92065E701
23	Button, Push	92572
24	Grip	92783
25	Spring, Compression	164x21
26	Handle Assembly	91823E701
27	Screw	26x49
28	Link, Suspension	92064E701
29	Washer	17x47Z
30	Washer	17x91Z
31	Cover, Lift Lever (Optional)	92157
32	Screw	26x263
33	Nut, Adjusting	21920

MODEL 40615x66A

REPAIR PARTS MOWER HOUSING



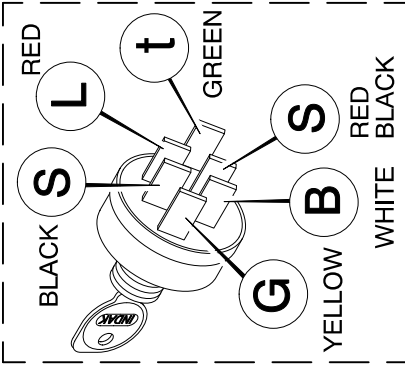
MODEL 40615x66A

REPAIR PARTS MOWER HOUSING

Key No.	Description	Part No.	Key No.	Description	Part No.
1	Nut, Hex	15x121	31	Guide, Belt	91797E701
3	Pulley, Jackshaft	92851	32	Bracket Assembly, Left Lifter	91813E701
4	Locknut, Flange	15x84	33	Spring, Extension	165x72
5	Spacer	92850	34	Bracket, Pivot	91743E701
6	Belt, Blade Drive	37x62	35	Plate	91770E701
7	Pulley, Idler	91801	36	Washer	17x57
8	Pin, Cotter	30x20	37	Bolt, Carriage	2x53
9	Locknut, Flange	15x88	38	Deflector Assembly, Chute	92465
10	Washer	17x46Z	39	Spring, Torsion	166x4
11	Brake Assembly, Right	92186E701	40	Bracket, Hinge	91765E701
12	Brake Assembly, Left	92187E701	41	Bracket, Front Hanger	91875E701
13	Spring, Torsion	166x27	42	Rod, Deflector	91767Z
14	Bolt, Hex	25x7	43	Cap, Push On	28x23
15	Bracket Assembly, Brake	92072E701	44	Rod, Hanger	91739Z
16	Rod, Brake	91745Z	45	Washer	17x124
17	Rod, Cross Link	92183Z	46	Hanger, Front	92119E701
18	Pin, Hair	31x4	49	Bolt, Hex	1x84
19	Nut, Adjustable	92131	50	Housing, Jackshaft	90905
20	Rod, Adjuster	91872Z	51	Jackshaft	92849
21	Nut, Adjustable	21920	52	Adapter, Blade	92466
22	Link, Suspension	92064E701	53	Blade, 40" (2 required)	92002E701
23	Washer	17x103	54	Washer, Belleville	17x166
24	Bracket Assembly, Right Lifter	92485E701	55	Washer	17x165
25	Nut, Flange	15x79	56	Nut, Hex	15x100
26	Bracket, Pivot	92033E701	58	Indicator, Plastic	92163
27	Bolt, Shoulder	9x39	59	Washer	17x48
28	Arm Assembly, Idler	92032E701	60	Housing, Blade (40")	91907E701
29	Plate, Adjuster	91741E701	61	Bolt, Shoulder	9x42
30	Cover, Pulley	92083E701	1-61	Complete Mower Housing Assembly	403229

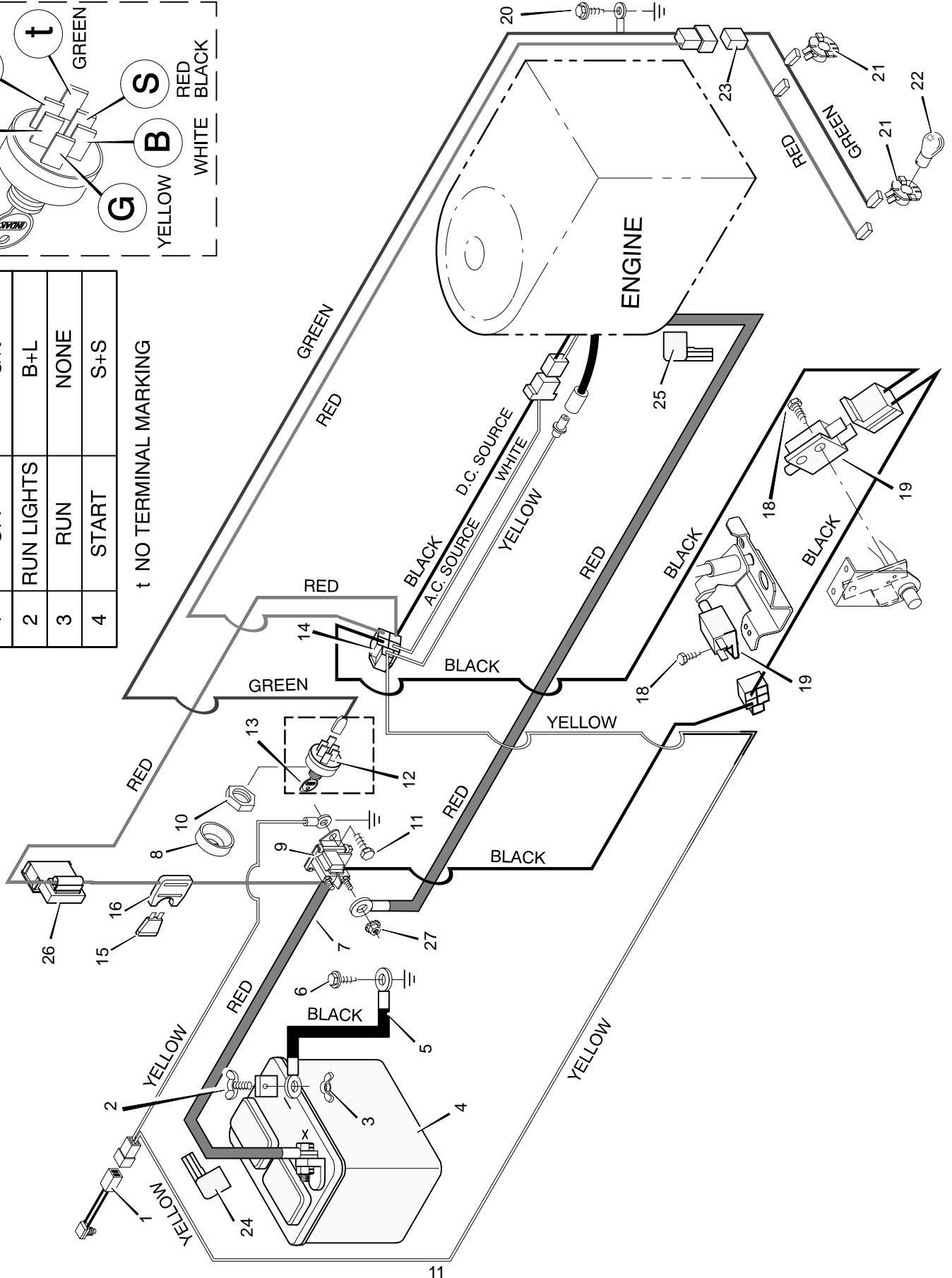
MODEL 40615x66A

REPAIR PARTS ELECTRICAL SYSTEM



POS.	FUNCTION	CIRCUIT (MAKE)
1	OFF	G+t
2	RUN LIGHTS	B+L
3	RUN	NONE
4	START	S+S

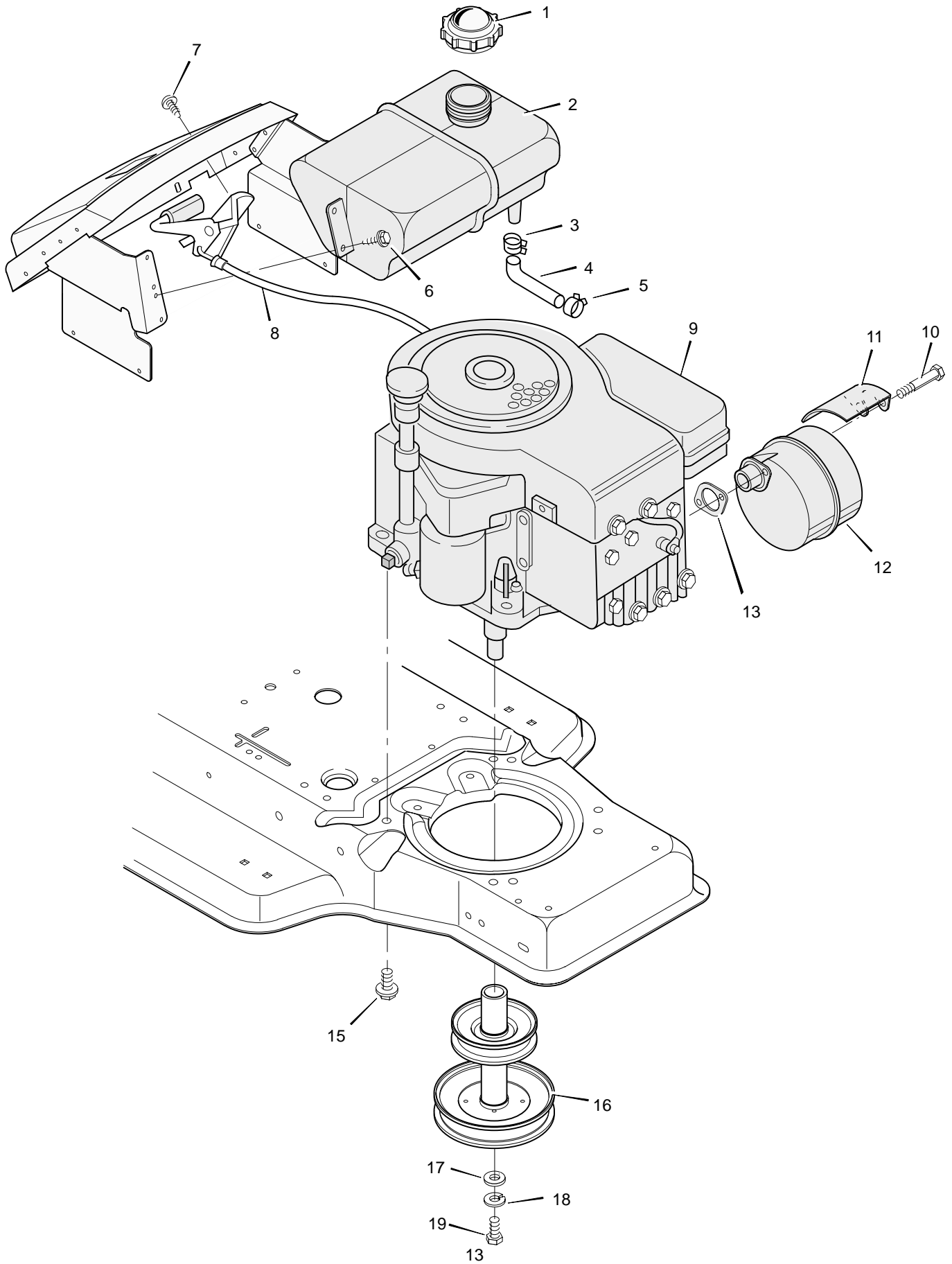
t NO TERMINAL MARKING



Key No.	Description	Part No.
1	Switch, Seat Sensor	91031
2	Bolt	6x99
3	Wingnut	14x79
4	Battery	91414
—	Acid, Battery (Electrolyte)	55702
5	Cable, Battery Ground	24x9
6	Screw	26x249
7	Cable, Red Battery	24x29
8	Cap, Ignition	91488
9	Solenoid	24285
10	Nut	91489
11	Screw	26x214
12	Switch, Ignition	92377
13	Key, Ignition	20729
14	Harness, Chassis Wire	250x50
15	Fuse	54212
16	Holder, Fuse	407078
18	Screw	26x233
19	Switch, Clutch	24273
20	Screw	25x2
21	Socket, Light	92372
22	Bulb, Light	90084
23	Harness, Light Wire	250x40
24	Cover, Terminal	54148
25	Cover, (Optional)	24196
26	Ammeter	93156
27	Locknut	15x116

MODEL 40615x66A

REPAIR PARTS ENGINE MOUNT



MODEL 40615x66A

REPAIR PARTS ENGINE MOUNT

Key No.	Description	Part No.
1	Fuel Cap	92317
2	Fuel Tank	91869
3	Hose Clamp	91174
4	Fuel Line	90671
5	Hose Clamp	23713
6	Screw	26x214
7	Screw	26x201
8	Throttle Control	91983
9	Engine*	—
10	Bolt	1x134
11	Shield, Heat	91277
12	Muffler	91271
13	Gasket	91309
15	Bolt, Engine Mount	25x7
16	Pulley, Stack	92318Z
17	Washer	17x170
18	Lockwasher	19x35
19	Bolt, Hex	1x140

*The engine model, type and code numbers are on the engine. All parts to the engine are available from a Briggs & Stratton Authorized Service Center. See "Engines, Gasoline" or "Gasoline Engines" in the yellow pages of the telephone directory.