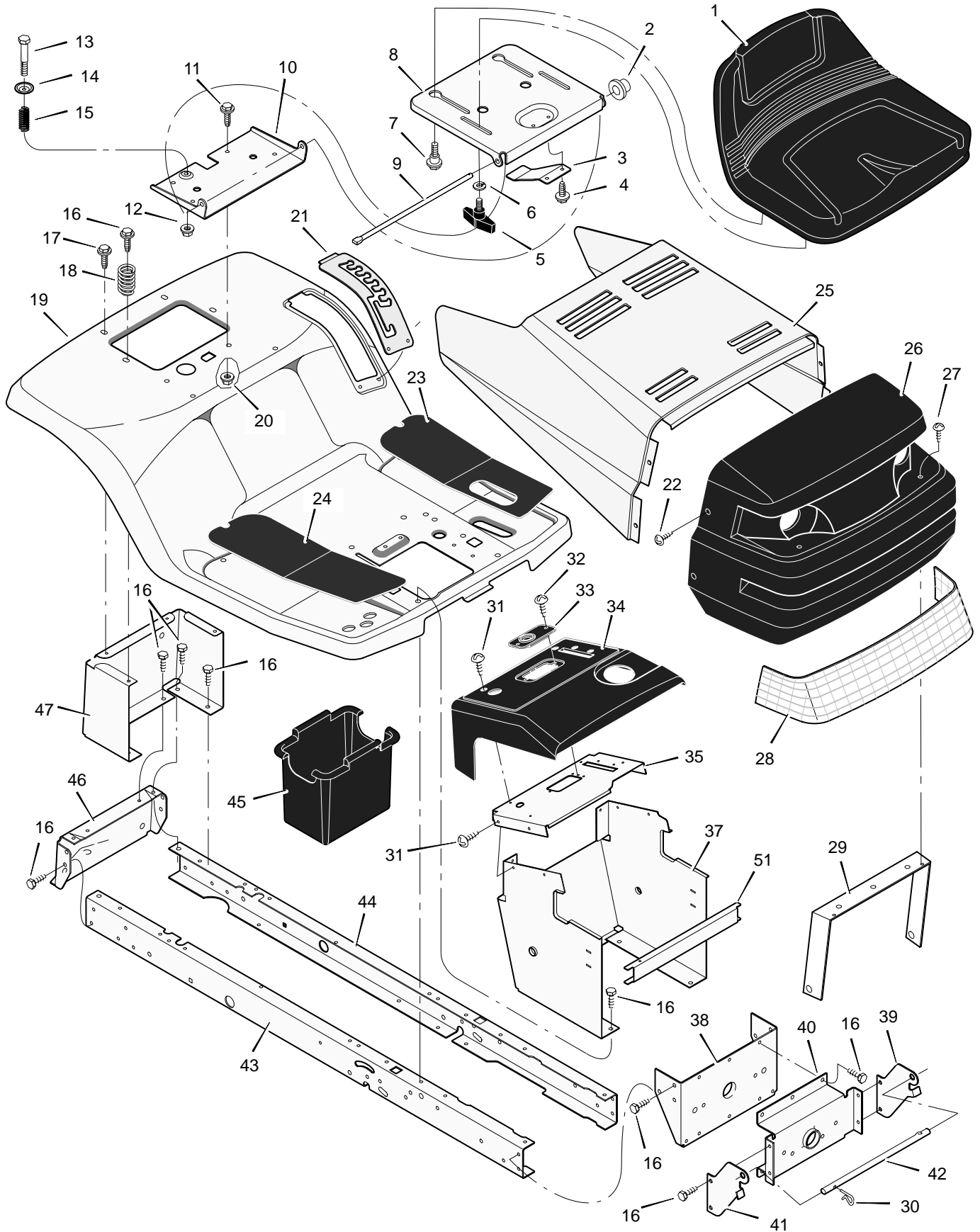


MODEL 40560x50C

REPAIR PARTS CHASSIS & HOOD



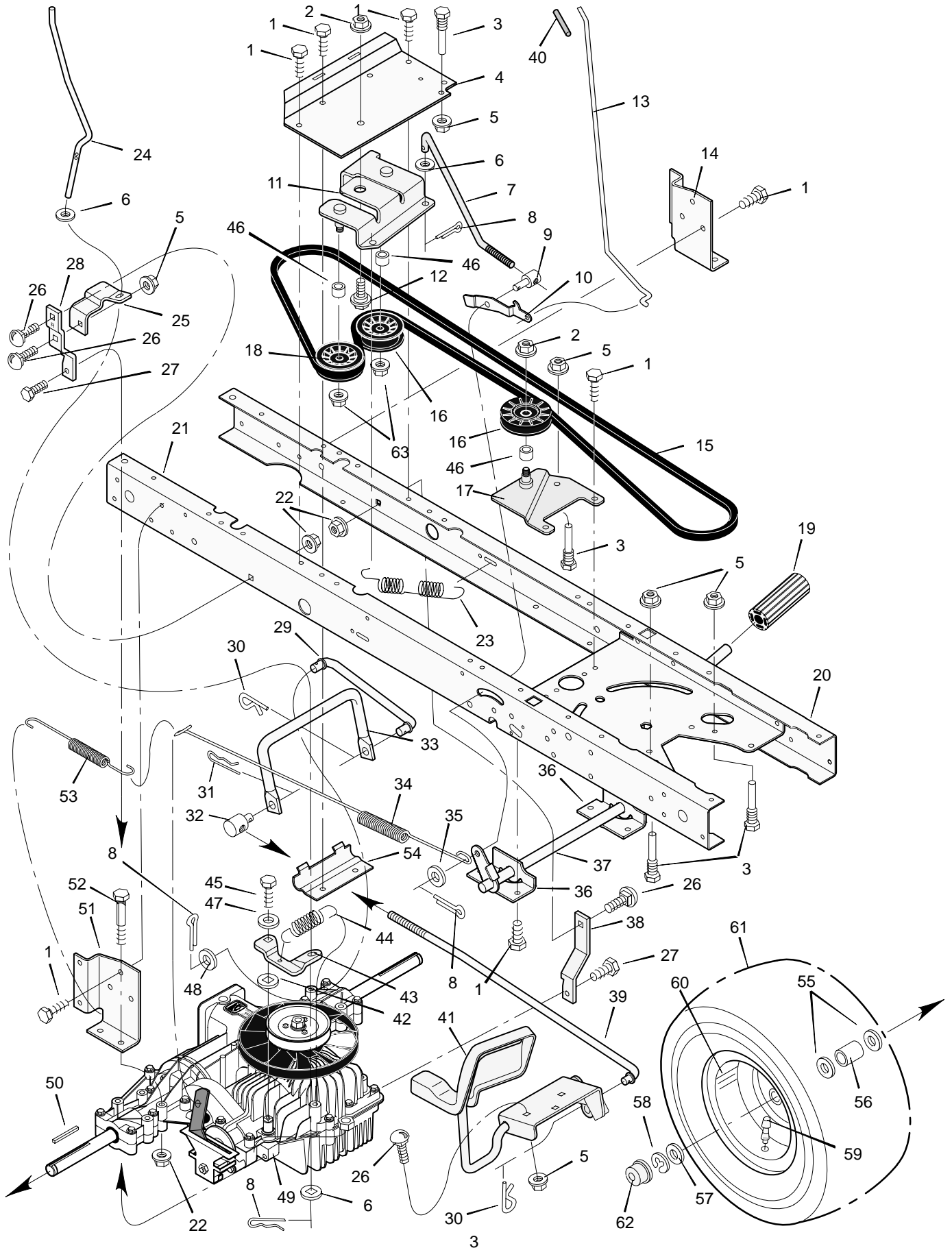
MODEL 40560x50C

REPAIR PARTS CHASSIS & HOOD

| Key No. | Description | Part No. | Key No. | Description | Part No. |
|---------|---------------------------------|-----------|---------|------------------------|-------------|
| 1 | Seat | 690567 | 28 | Lens | 92334 |
| 2 | Cap, Push On | 28x23 | 29 | Brace, Grille | 92448 |
| 3 | Spring | 94057 | 30 | Pin, Hair | 31x4 |
| 4 | Screw | 26x229 | 31 | Screw | 26x270 |
| 5 | Bolt, Wing | 94160 | 32 | Screw | 26x239 |
| 6 | Washer | 17x47 Z | 33 | Bearing, Steering | 94214 |
| 7 | Bolt, Shoulder | 9x56 | 34 | Dash | 95033E700 |
| 8 | Support, Seat | 94154E700 | 35 | Plate, Dash | 94211E700 |
| 9 | Rod, Pivot | 94156 Z | 36 | Panel, Access | 93007E700 |
| 10 | Bracket, Pivot | 94153E700 | 37 | Support, Dash | 95323E700 |
| 11 | Bolt | 1x45 | 38 | Bracket, Rear Hanger | 94013E700 |
| 12 | Nut | 15x89 | 39 | Support, Left Grille | 690544E700 |
| 13 | Bolt, Shoulder | 9x55 | 40 | Axle, Hanger | 94007E700 |
| 14 | Washer | 94155 Z | 41 | Support, Right Grille | 690543E700 |
| 15 | Spring | 164x31 | 42 | Rod, Pivot | 92332 Z |
| 16 | Screw | 26x249 | 43 | Frame, Right | 690206E700 |
| 17 | Screw | 26x263 | 44 | Frame, Left | 690207E700 |
| 18 | Spring | 164x30 | 45 | Container, Battery | 690424 |
| 19 | Deck, Seat | 95122E245 | 46 | Plate, Hitch | 1001002E700 |
| 20 | Nut | 15x88 | 47 | Panel, Rear | 690434E700 |
| 21 | Plate, Index | 94829E700 | 51 | Channel | 94215E700 |
| 23 | Mat, Left | 94371 | — | Decal, Right Hood | 44x7728 |
| 24 | Mat, Right | 94372 | — | Decal, Left Hood | 44x7727 |
| 25 | Hood | 92333E245 | — | Decal, Warning Symbols | 44x6815 |
| 26 | Grille Assembly (Includes Lens) | 94867E700 | — | Book, Instruction | F-000747L |
| 27 | Screw | 26x239 | | | |

MODEL 40560x50C

REPAIR PARTS MOTION DRIVE



MODEL 40560x50C

REPAIR PARTS MOTION DRIVE

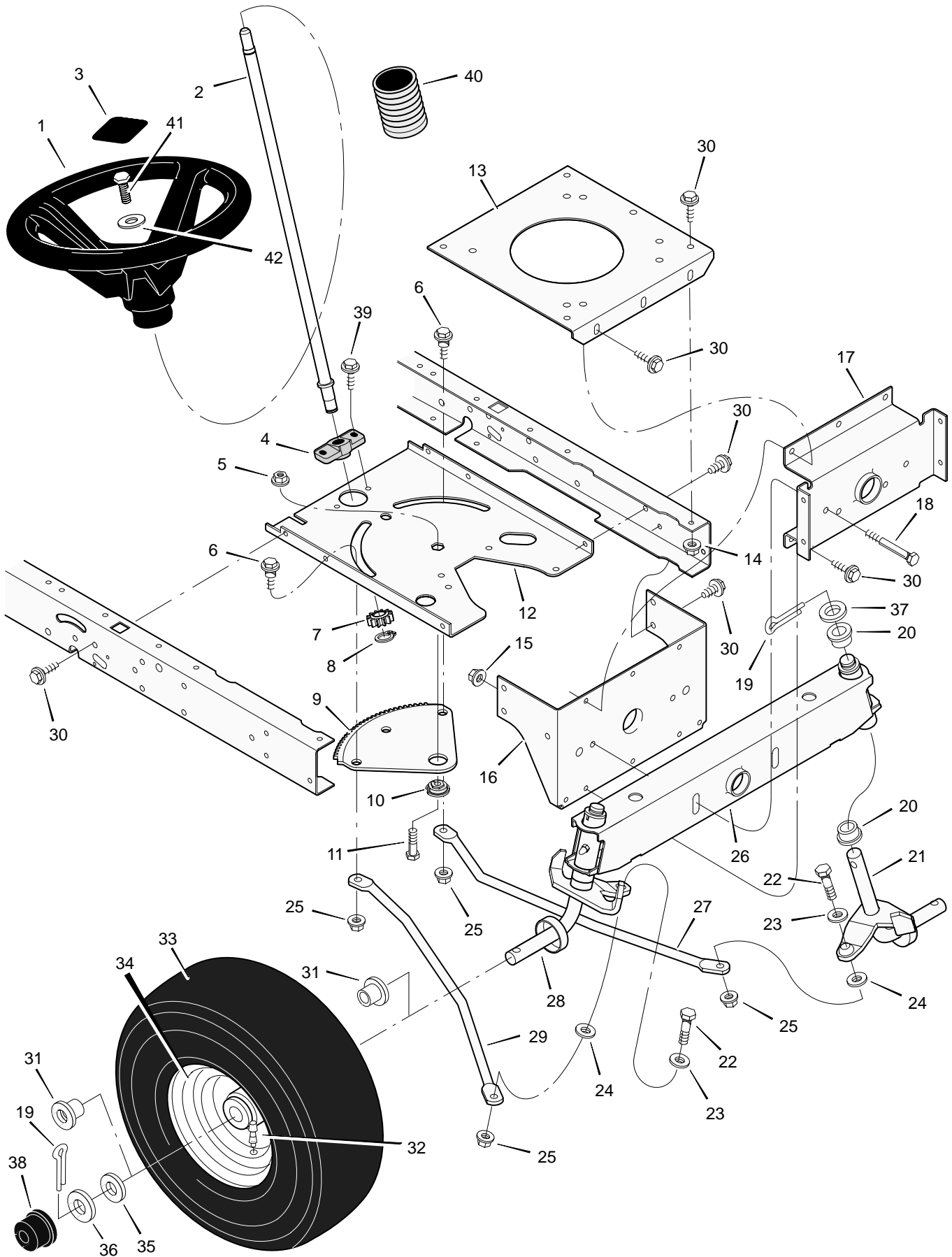
| Key No. | Description | Part No. | Key No. | Description | Part No. |
|---------|-------------------------|------------|---------|-----------------------|-----------|
| 1 | Screw | 26x249 | 33 | Rod, Yoke | 94425E700 |
| 2 | Nut, Flange | 15x84 | 34 | Spring, Extension | 165x115 |
| 3 | Guide, Belt | 93349 | 35 | Washer | 17x169 |
| 4 | Bracket, Idler | 94431E700 | 36 | Bracket, Pivot | 94035E700 |
| 5 | Locknut | 15x79 | 37 | Lever, Clutch/Brake | 94038E700 |
| 6 | Washer | 17x47 Z | 38 | Strap, Left Torque | 94433E700 |
| 7 | Rod, Clutch | 94417 Z | 39 | Rod, Front Control | 95226 Z |
| 8 | Pin, Cotter | 30x20 | 40 | Grip | 91079 |
| 9 | Adjuster | 94815 | 41 | Pedal, Speed Control | 95121E700 |
| 10 | Latch, Parking Brake | 94045 Z | 42 | Washer | 17x148 |
| 11 | Bracket Assembly, Idler | 94411 Z | 43 | Arm, Disconnect | 94430 Z |
| 12 | Bolt, Shoulder | 9x39 | 44 | Spring | 165x112 |
| 13 | Rod, Parking Brake | 95005 Z | 45 | Bolt | 6x105 |
| 14 | Bracket, Transaxle | 94008E700 | 46 | Spacer | 690369 |
| 15 | Belt | 37x61 | 47 | Washer | 17x38 |
| 16 | Pulley, Idler | 690409 | 48 | Washer | 17x169 |
| 17 | Arm Assembly, Idler | 94409 Z | 49 | Transaxle * * | * * |
| 18 | Pulley, Idler | 690410 | 50 | Key, Square | 21553 |
| 19 | Pedal | 21544 | 51 | Bracket, Transaxle | 94008E700 |
| 20 | Frame, Left | 690207E700 | 52 | Bolt | 1x155 |
| 21 | Frame, Right | 690206E700 | 53 | Spring, Extension | 165x92 |
| 22 | Nut, Flange | 15x88 | 54 | Clamp, Transaxle | 94434E700 |
| 23 | Spring, Extension | 165x142 | 55 | Washer | 17x160 |
| 24 | Rod, Disconnect | 94428 Z | 56 | Spacer | 690554 Z |
| 25 | Bracket, Disconnect | 94429E700 | 57 | Washer | 17x195 |
| 26 | Bolt, Carriage | 2x53 | 58 | E-Ring | 11x3 |
| 27 | Screw | 26x216 | 59 | Valve Stem | 24373 |
| 28 | Strap, Right Torque | 94432E700 | 60 | Wheel & Tire Assembly | 92294-601 |
| 29 | Rod, Link | 94426 Z | 61 | Tire * | 24375 |
| 30 | Pin, Hair | 31x4 | — | Tube | 407049 |
| 31 | Pin, Hair | 31x6 | 62 | Cap, Hub | 94618 |
| 32 | Nut, Adjuster | 92132 | | | |

* When you order a tire, make sure to give the brand name of the tire so that the tread pattern on the tire will match.

** For information on Replacement Parts see the Central Parts Distributor in your area.

MODEL 40560x50C

REPAIR PARTS STEERING



MODEL 40560x50C

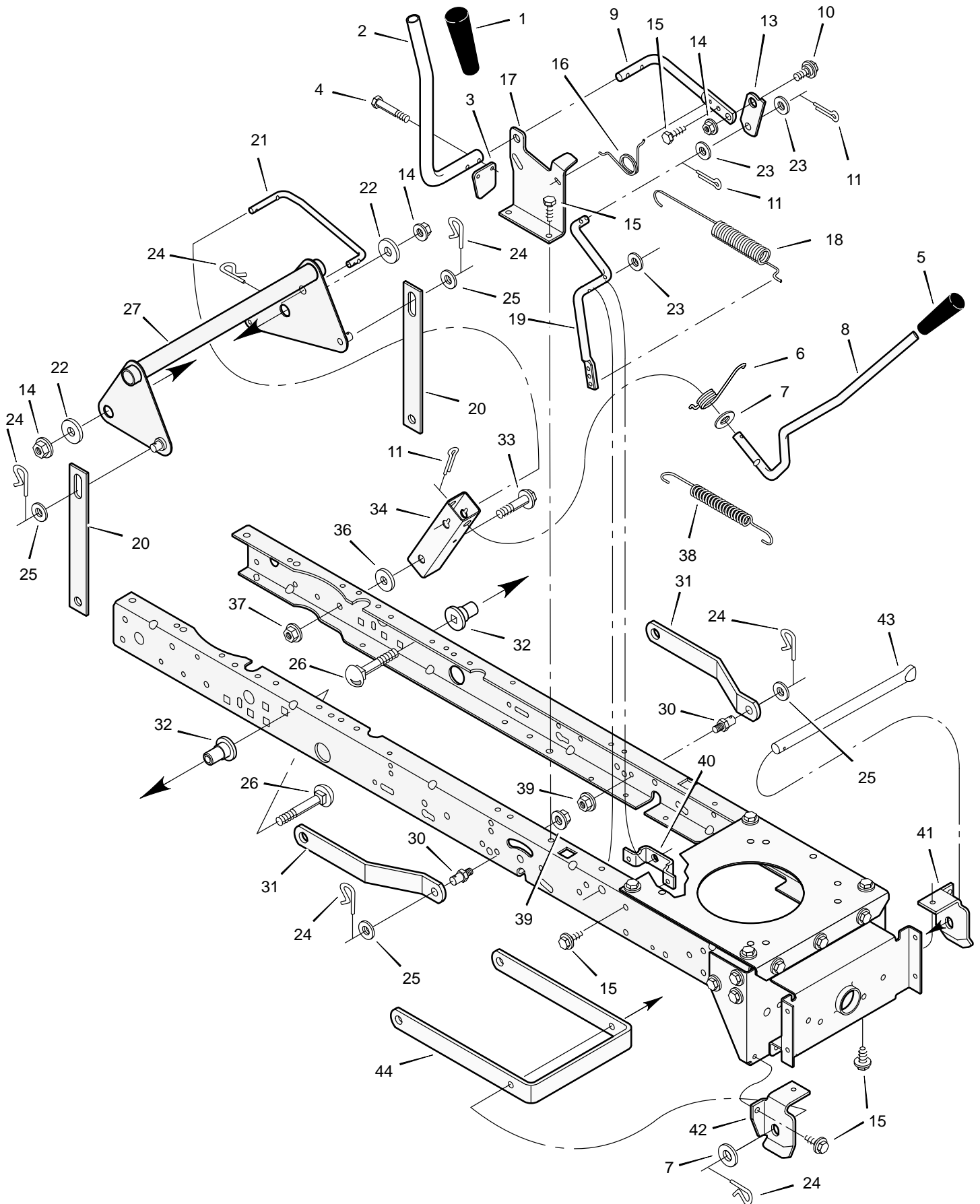
REPAIR PARTS STEERING

| Key No. | Description | Part No. | Key No. | Description | Part No. |
|---------|------------------------|------------|---------|-------------------------|------------|
| 1 | Wheel, Steering | 95184 | 23 | Washer | 17x104 |
| 2 | Post, Steering | 690626 | 24 | Washer | 17x53 Z |
| 3 | Insert, Steering Wheel | 711325 | 25 | Nut, Flange | 15x84 |
| 4 | Bearing | 94124 | 26 | Axle Assembly | 690210E700 |
| 5 | Nut, Flange | 15x111 | 27 | Drag Link, Left | 95329E700 |
| 6 | Bolt, Shoulder | 9x57 | 28 | Spindle Assembly, Right | 94575E700 |
| 7 | Gear, Pinion | 690183E700 | 29 | Drag Link, Right | 95328E700 |
| 8 | Ring, Snap | 11x25 | 30 | Screw | 26x249 |
| 9 | Gear, Sector | 94121E700 | 31 | Bearing, Wheel | 91334 |
| 10 | Bearing | 94123 | 32 | Stem, Valve | 24373 |
| 11 | Bolt | 1x84 | 33 | Tire * | 24380 |
| 12 | Plate, Steering | 690551E700 | — | Tube | 407924 |
| 13 | Plate, Engine | 94006E700 | 34 | Wheel and Tire Assembly | 94581-601 |
| 14 | Nut, Flange | 15x88 | 35 | Washer | 17x195 |
| 15 | Nut, Flange | 15x118 | 36 | Washer | 17x192 |
| 16 | Bracket, Hanger | 94013E700 | 37 | Washer | 17x113 |
| 17 | Axle, Hanger | 94007E700 | 38 | Hub Cap | 94618 |
| 18 | Bolt | 1x146 | 39 | Screw | 26x267 |
| 19 | Pin, Cotter | 30x49 | 40 | Bellows | 54789 |
| 20 | Bearing | 690150 | 41 | Bolt | 25x3 |
| 21 | Spindle Assembly, Left | 94576E700 | 42 | Washer | 17x146 |
| 22 | Bolt | 1x111 | | | |

* When you order a tire, make sure to give the brand name of the tire so that the tread pattern on the tire will match.

MODEL 40560x50C

REPAIR PARTS MOWER HOUSING SUSPENSION



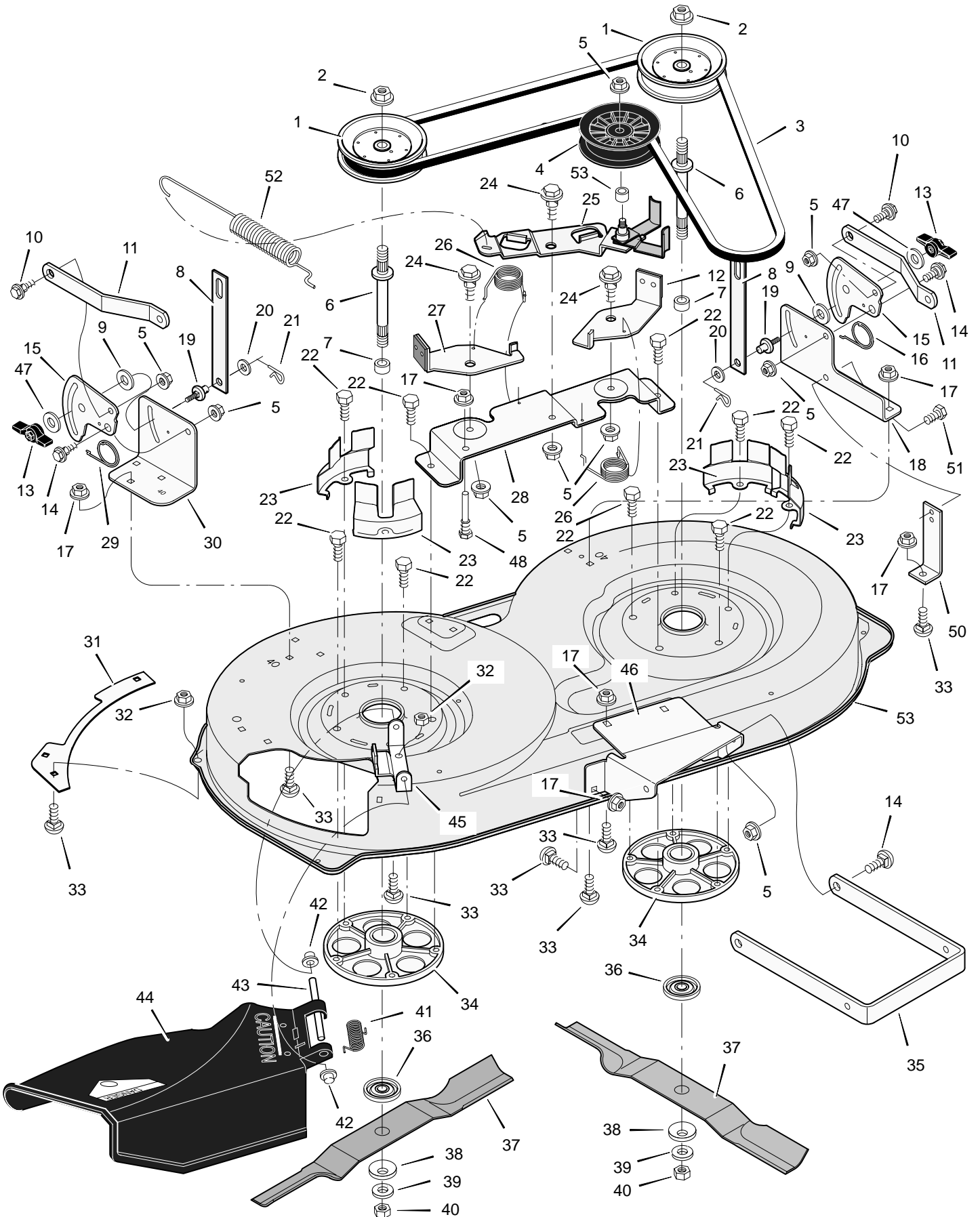
MODEL 40560x50C

REPAIR PARTS MOWER HOUSING SUSPENSION

| Key No. | Description | Part No. | Key No. | Description | Part No. |
|---------|-------------------|------------|---------|--------------------------|------------|
| 1 | Grip | 92698 | 22 | Washer | 17x168 |
| 2 | Handle, PTO | 94346 Z | 23 | Washer | 17x57 |
| 3 | Pad, Switch | 94022 Z | 24 | Pin, Hair | 31x4 |
| 4 | Bolt | 25x3 | 25 | Washer | 17x91 |
| 5 | Grip | 92697 | 26 | Bolt, Carriage | 2x85 |
| 6 | Spring | 166x40 | 27 | Lever Assembly, Lift | 690363E700 |
| 7 | Washer | 17x103 | 30 | Pin | 94067 |
| 8 | Handle, Lift | 690533 | 31 | Bracket, Rear Suspension | 94055E700 |
| 9 | Lever, PTO | 94017 Z | 32 | Spacer, Lifter | 690151 |
| 10 | Bolt, Shoulder | 9x39 | 33 | Bolt, Shoulder | 9x53 |
| 11 | Pin, Cotter | 30x20 | 34 | Bracket, Pivot | 94015E700 |
| 13 | Link, PTO | 94004 Z | 36 | Washer | 17x191 |
| 14 | Nut, Flange | 15x84 | 37 | Nut, Flange | 15x84 |
| 15 | Screw | 26x249 | 38 | Spring | 165x131 |
| 16 | Spring | 166x39 | 39 | Nut, Flange | 15x68 |
| 17 | Bracket, PTO | 94018E700 | 40 | Bracket, PTO | 94005E700 |
| 18 | Spring | 165x119 | 41 | Hanger, Left Deck | 94027E700 |
| 19 | Crank, PTO | 690394E700 | 42 | Hanger, Right Deck | 94026E700 |
| 20 | Link, Lift | 690212E700 | 43 | Rod, Hanger | 94158Z |
| 21 | Link, Lift Handle | 690122E700 | 44 | Bracket, Suspension | 94058E700 |

MODEL 40560x50C

REPAIR PARTS MOWER HOUSING



MODEL 40560x50C

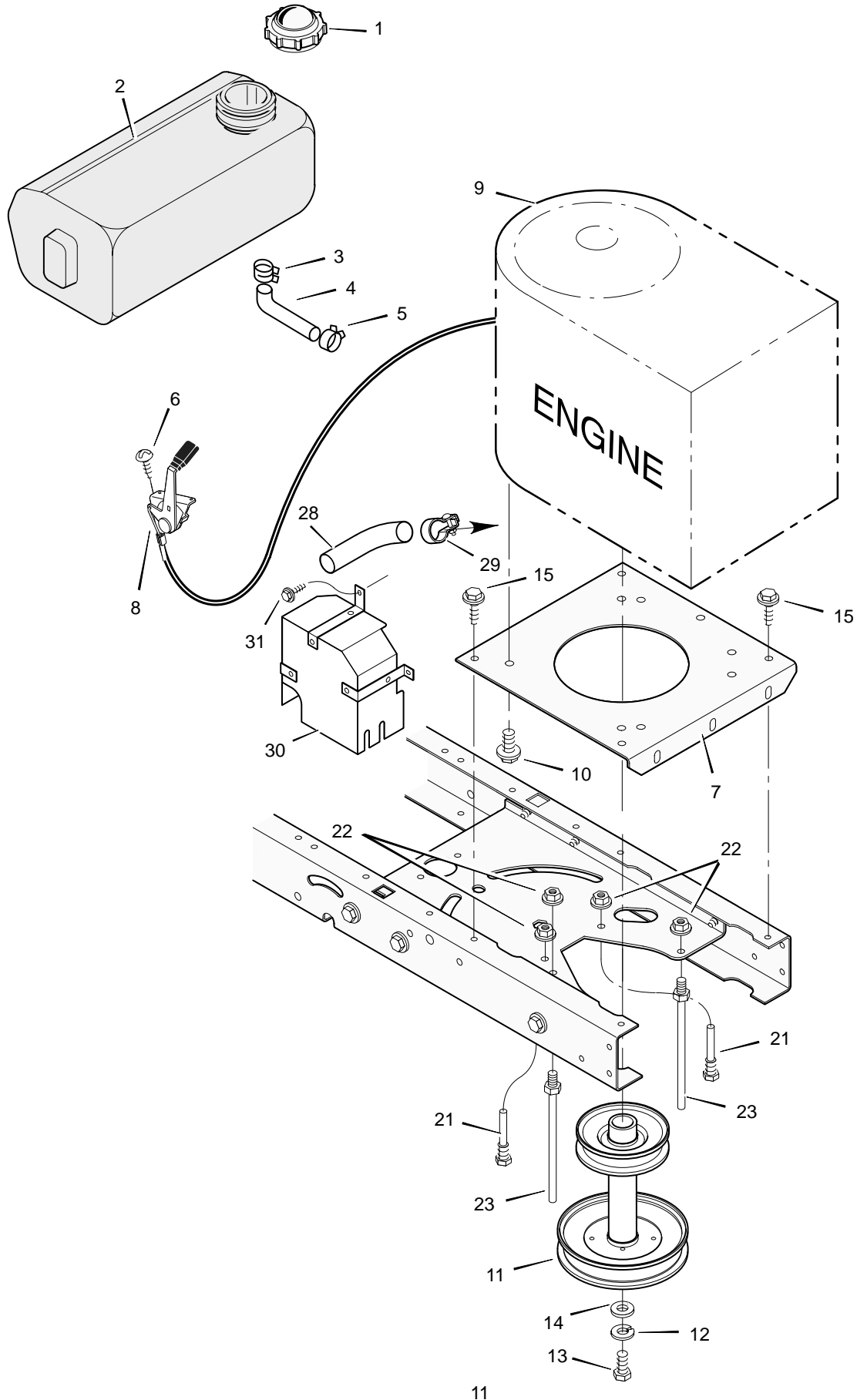
REPAIR PARTS MOWER HOUSING

| Key No. | Description | Part No. | Key No. | Description | Part No. |
|---------|---------------------------|------------|---------|---------------------------------|-----------|
| 1 | Pulley, Jackshaft | 92851 | 28 | Bracket Assembly, Brake | 94145E700 |
| 2 | Nut, Hex | 15x121 | 29 | Spring | 166x42 |
| 3 | Belt, Mower Drive | 37x62 | 30 | Bracket, Suspension | 94142E700 |
| 4 | Pulley, Idler | 690387 | 31 | Plate | 91770E700 |
| 5 | Nut, Flange | 15x84 | 32 | Nut, Flange | 15x88 |
| 6 | Jackshaft | 94129 | 33 | Bolt, Carriage | 2x53 |
| 7 | Spacer | 94130 | 34 | Mandrell | 92574 |
| 8 | Link, Lift | 690212E700 | 35 | Bracket, Suspension | 94058E700 |
| 9 | Pad, Friction | 94137 | 36 | Adapter, Blade | 92466 |
| 10 | Bolt, Shoulder | 9x52 | 37 | Blade | 92002E701 |
| 11 | Bracket, Suspension | 94055E700 | 38 | Washer | 17x166 |
| 12 | Pad Assembly, Left Brake | 94049E700 | 39 | Washer | 17x165 |
| 13 | Knob | 94068 | 40 | Nut | 15x100 |
| 14 | Bolt, Shoulder | 9x51 | 41 | Spring | 166x4 |
| 15 | Plate, Suspension | 94128E700 | 42 | Cap, Push On | 28x23 |
| 16 | Spring | 166x43 | 43 | Rod, Pivot | 94957 Z |
| 17 | Nut, Flange | 15x79 | 44 | Deflector Assembly | 94707 |
| 18 | Bracket, Left Suspension | 94143E700 | 45 | Bracket, Deflector | 94956E700 |
| 19 | Pin, Hanger | 95194 | 46 | Bracket, Front Hanger | 94144E700 |
| 20 | Washer | 17x103 | 47 | Washer | 17x45 Z |
| 21 | Pin, Cotter | 31x4 | 48 | Guide, Belt | 94781 |
| 22 | Bolt | 25x7 | 50 | Bracket, Support | 94681E700 |
| 23 | Cover, Pulley | 94051E700 | 51 | Screw | 26x249 |
| 24 | Bolt, Shoulder | 9x39 | 52 | Spring, Extension | 165x119 |
| 25 | Arm, Idler | 690408E700 | 53 | Spacer | 690369 |
| 26 | Spring | 166x41 | 54 | Housing, Blade * | 94141E700 |
| 27 | Pad Assembly, Right Brake | 94047E700 | 1-54 | Complete Mower Housing Assembly | 776001 |

* Includes Key No. 17, 18, 30, 31, 32, 33, 45, 46, 47 and 51.

MODEL 40560x50C

REPAIR PARTS ENGINE MOUNT



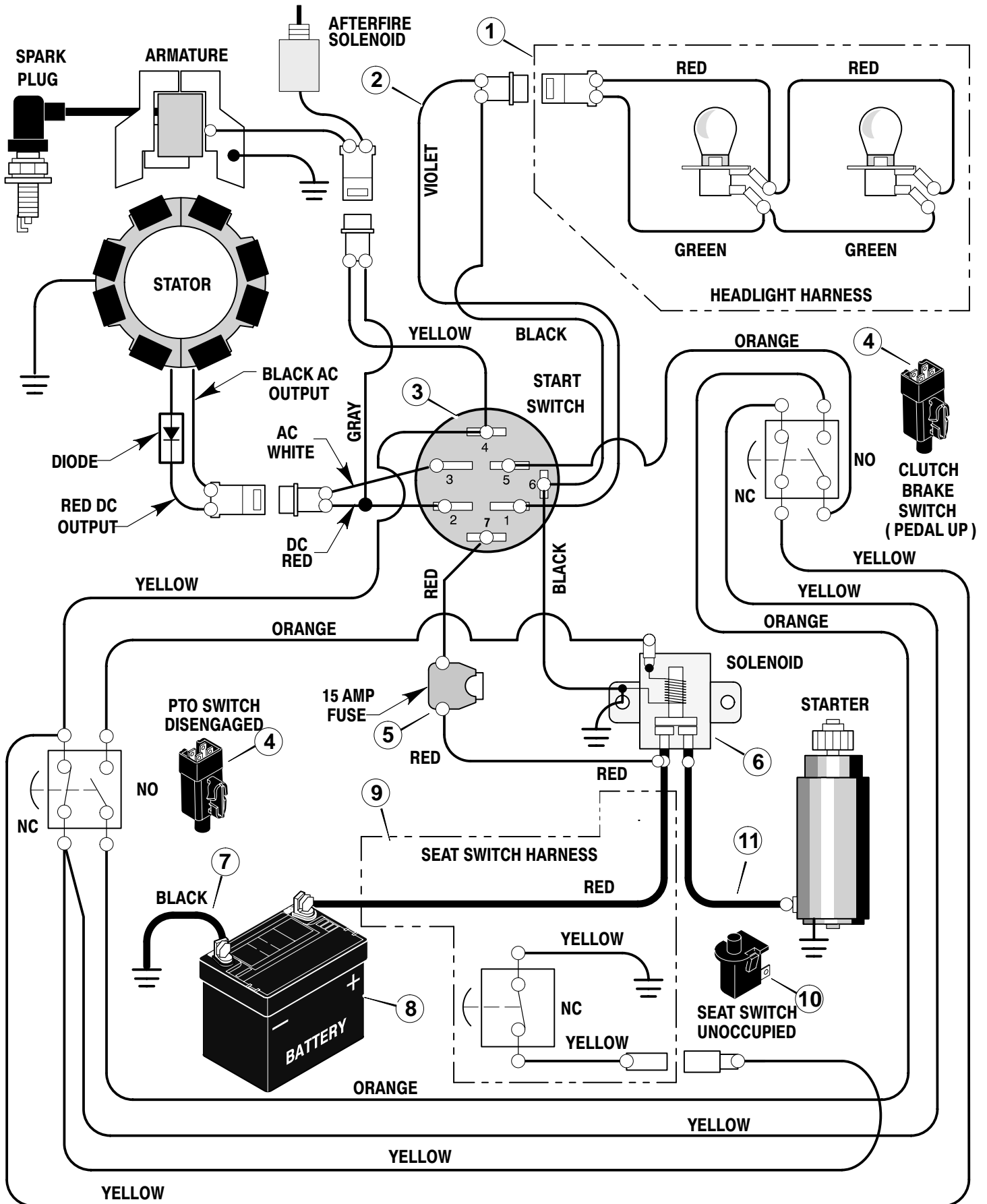
MODEL 40560x50C

REPAIR PARTS ENGINE MOUNT

| Key No. | Description | Part No. |
|---------|-----------------------|-----------|
| 1 | Fuel Cap | 92317 |
| 2 | Fuel Tank | 92342 |
| 3 | Hose Clamp | 95197 |
| 4 | Fuel Line | 23717 |
| 5 | Hose Clamp | 95197 |
| 6 | Screw | 26x201 |
| 7 | Plate, Engine | 94006E700 |
| 8 | Throttle Control | 92371 |
| 9 | Engine | — |
| 10 | Bolt, Engine Mount | 25x7 |
| 11 | Stack Pulley Assembly | 690440 Z |
| 12 | Lockwasher | 19x35 |
| 13 | Bolt, Hex | 1x140 |
| 14 | Washer | 17x170 |
| 15 | Screw | 26x249 |
| 21 | Guide, Belt | 93349 |
| 22 | Nut, Flange | 15x79Z |
| 23 | Guide, Belt | 94066 |
| 28 | Pipe, Exhaust | 92855 |
| 29 | Clamp | 92558 |
| 30 | Shield, Heat | 92550 |
| 31 | Screw | 26x263 |

MODEL 40560x50C

REPAIR PARTS ELECTRICAL SYSTEM



MODEL 40560x50C

REPAIR PARTS ELECTRICAL SYSTEM

| Key No. | Description | Part No. |
|----------------|---------------------------|-----------------|
| 1 | Harness, Light Wire | 250x92 |
| | Socket, Light | 92372 |
| | Bulb, Light | 90084 |
| 2 | Harness, Chassis Wire | 250x87 |
| 3 | Switch, Ignition | 92556 |
| | Key, Ignition | 20729 |
| | Nut, Hex | 91489 |
| | Cap, Ignition | 91488 |
| 4 | Switch, Limit | 94136 |
| 5 | Fuse | 54212 |
| | Holder, Fuse | 407078 |
| 6 | Solenoid | 94613 |
| | Screw, Mounting | 26x229 |
| | Locknut | 15x116 |
| 7 | Cable, Battery Ground | 24x32 |
| | Screw, Ground Cable | 26x213 |
| 8 | Battery | 21075 |
| | Bolt, Carriage | 2x82 |
| | Wingnut | 14x79 |
| 9 | Harness, Seat Switch Wire | 250x67 |
| 10 | Switch, Seat Sensor | 94159 |
| 11 | Cable | 24x31 |