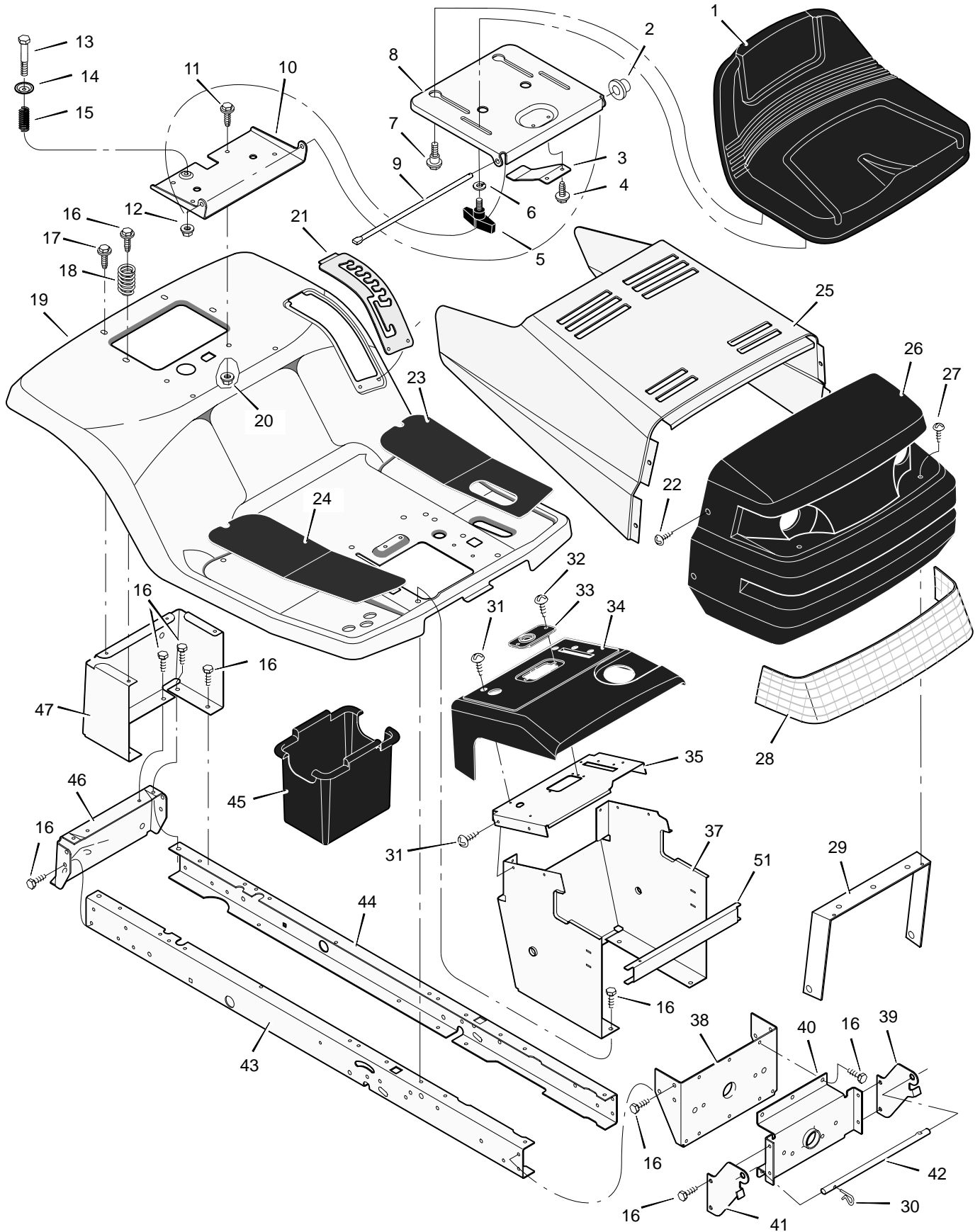


MODEL 40560x50A

REPAIR PARTS CHASSIS & HOOD



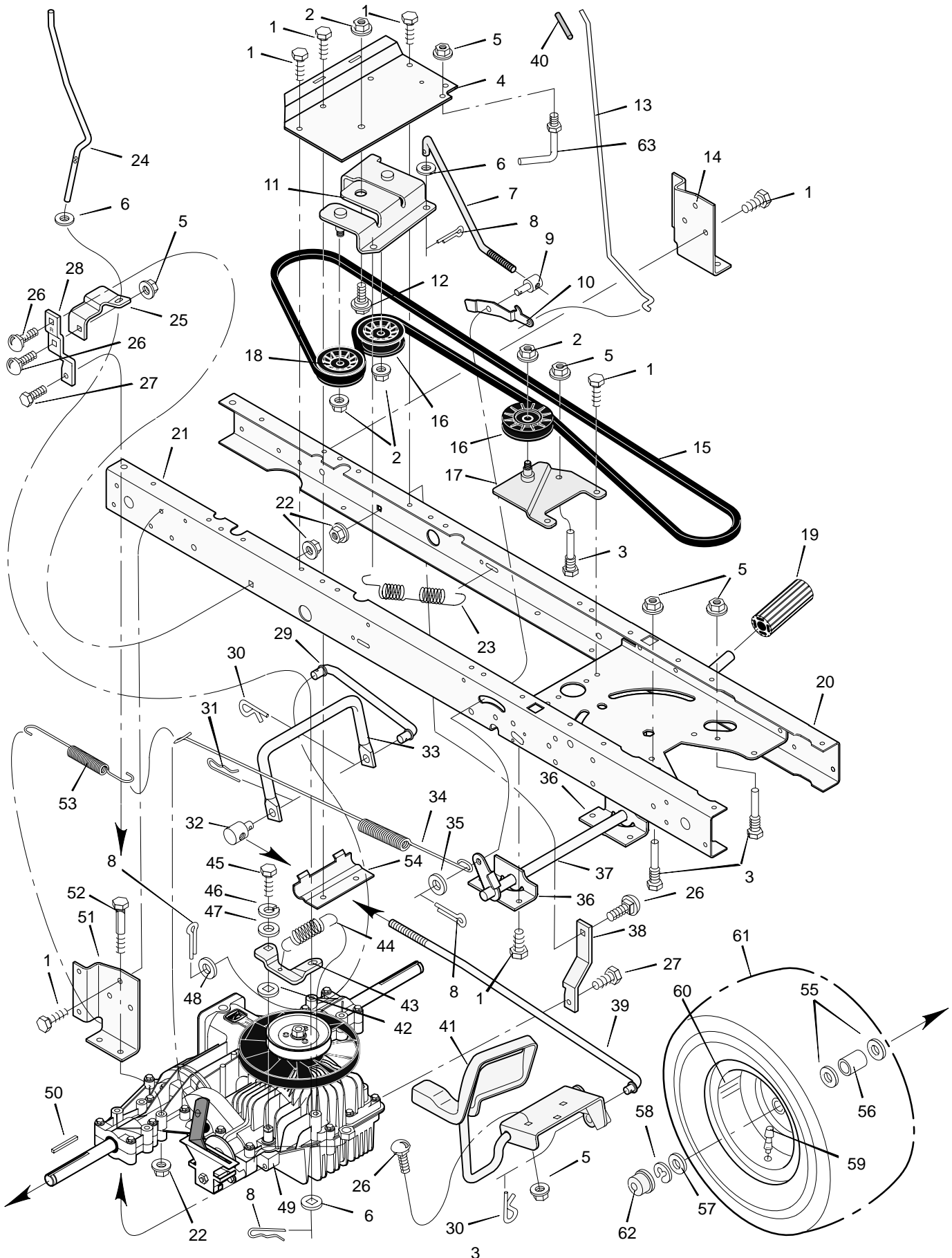
MODEL 40560x50A

REPAIR PARTS CHASSIS & HOOD

Key No.	Description	Part No.	Key No.	Description	Part No.
1	Seat	95334	29	Brace, Grille	92448
2	Cap, Push On	28x23	30	Pin, Hair	31x4
3	Spring	94057	31	Screw	26x270
4	Screw	26x229	32	Screw	26x239
5	Bolt, Wing	94160	33	Bearing, Steering	94214
6	Washer	17x47 Z	34	Dash	95033E700
7	Bolt, Shoulder	9x56	35	Plate, Dash	94211E700
8	Support, Seat	94154E700	36	Panel, Access	93007E700
9	Rod, Pivot	94156 Z	37	Support, Dash	95323E700
10	Bracket, Pivot	94153E700	38	Bracket, Rear Hanger	94013E700
11	Bolt	1x45	39	Support, Left Grille	94213E700
12	Nut	15x89	40	Axle, Hanger	94007E700
13	Bolt, Shoulder	9x55	41	Support, Right Grille	94212E700
14	Washer	94155 Z	42	Rod, Pivot	92332 Z
15	Spring	164x31	43	Frame, Right	94000E700
16	Screw	26x249	44	Frame, Left	94001E700
17	Screw	26x263	45	Container, Battery	94069
18	Spring	164x30	46	Plate, Hitch	94002E700
19	Deck, Seat	95122E245	47	Panel, Rear	94023E700
20	Nut	15x88	51	Channel	94215E700
21	Plate, Index	94829E700	—	Decal, Right Hood	44x7728
23	Mat, Left	94453	—	Decal, Left Hood	44x7727
24	Mat, Right	94454	—	Decal, Warning Symbols	44x6815
25	Hood	92333E245	—	Book, Instruction	F-98758
26	Grille Assembly (Includes Lens)	94867E700	—	Book, Instruction	F-98759
27	Screw	26x239	—	Parts List	F-98760
28	Lens	92334			

MODEL 40560x50A

REPAIR PARTS MOTION DRIVE



MODEL 40560x50A

REPAIR PARTS MOTION DRIVE

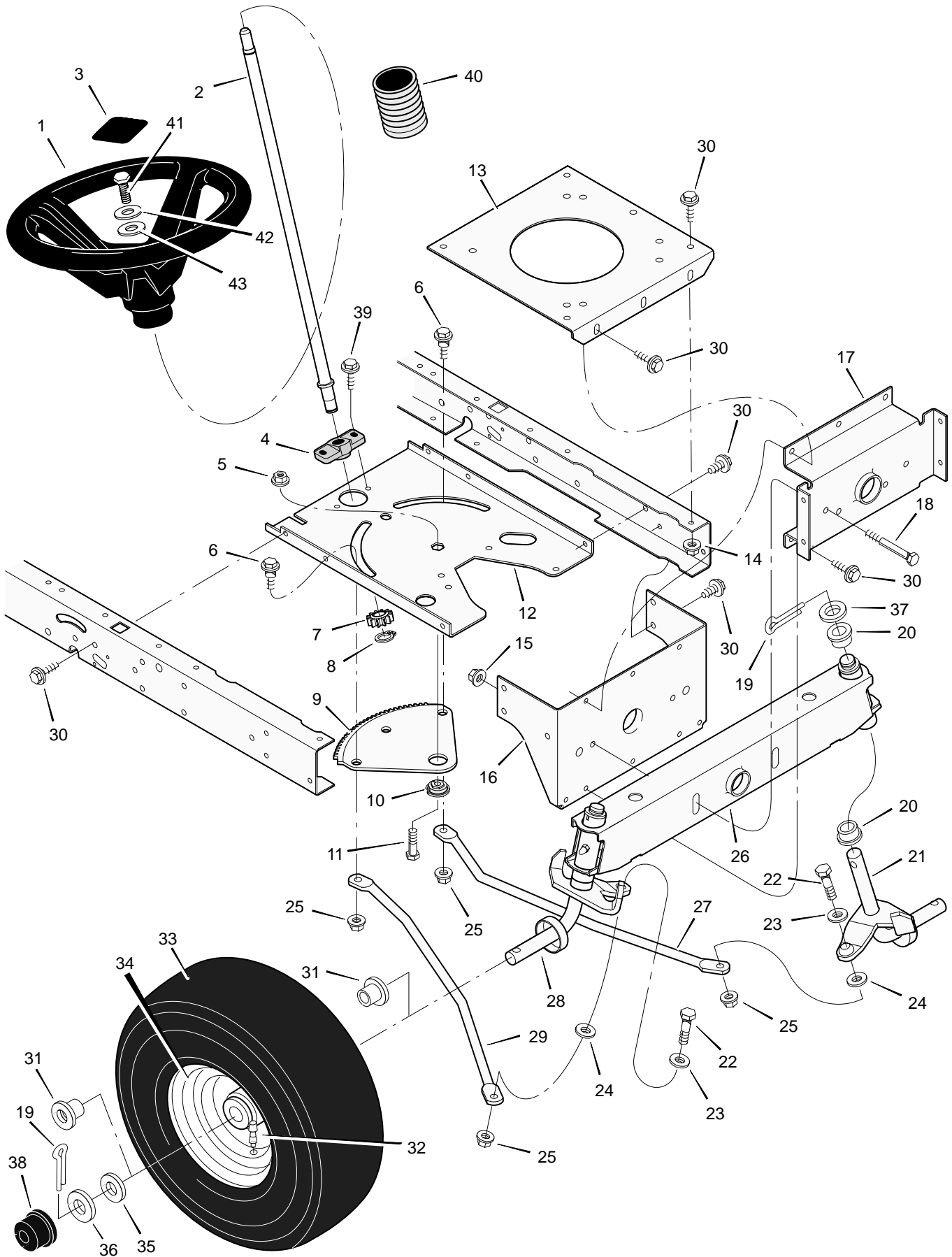
Key No.	Description	Part No.	Key No.	Description	Part No.
1	Screw	26x249	33	Rod, Yoke	94425E700
2	Nut, Flange	15x84	34	Spring, Extension	165x92
3	Guide, Belt	93349	35	Washer	17x169
4	Bracket, Idler	94431E700	36	Bracket, Pivot	94035E700
5	Locknut	15x79	37	Lever, Clutch/Brake	94038E700
6	Washer	17x47 Z	38	Strap, Left Torque	94433E700
7	Rod, Clutch	94417 Z	39	Rod, Link	95226 Z
8	Pin, Cotter	30x20	40	Grip	91079
9	Adjuster	94815	41	Pedal, Speed Control	95121E700
10	Latch, Parking Brake	94045 Z	42	Washer	17x148
11	Bracket Assembly, Idler	94411 Z	43	Arm, Disconnect	94430 Z
12	Bolt, Shoulder	9x39	44	Spring	165x112
13	Rod, Parking Brake	95005 Z	45	Bolt	1x145
14	Bracket, Transaxle	94008E700	46	Lockwasher	18x32
15	Belt	37x61	47	Washer	17x180
16	Pulley, Idler	91179	48	Washer	17x91
17	Arm Assembly, Idler	94409 Z	49	Transaxle * *	* *
18	Pulley, Idler	91178	50	Key, Square	21553
19	Pedal	21544	51	Bracket, Right Transaxle	94008E700
20	Frame, Left	94001E700	52	Bolt	1x155
21	Frame, Right	94000E700	53	Spring, Extension	165x92
22	Nut, Flange	15x88	54	Clamp, Transaxle	94434E700
23	Spring, Extension	165x123	55	Washer	17x160
24	Rod, Disconnect	94428 Z	56	Spacer	87x105 Z
25	Bracket, Disconnect	94429E700	57	Washer	17x195
26	Bolt, Carriage	2x53	58	E-Ring	11x3
27	Screw	26x216	59	Valve Stem	24373
28	Strap, Right Torque	94432E700	60	Wheel & Tire Assembly	92294-601
29	Rod, Link	94426 Z	61	Tire *	24375
30	Pin, Hair	31x4	—	Tube	407049
31	Pin, Hair	31x6	62	Cap, Hub	94618
32	Nut, Adjuster	92132	63	Guide, Belt	94781

* When you order a tire, make sure to give the brand name of the tire so that the tread pattern on the tire will match.

** For information on Replacement Parts see the Central Parts Distributor in your area.

MODEL 40560x50A

REPAIR PARTS STEERING



MODEL 40560x50A

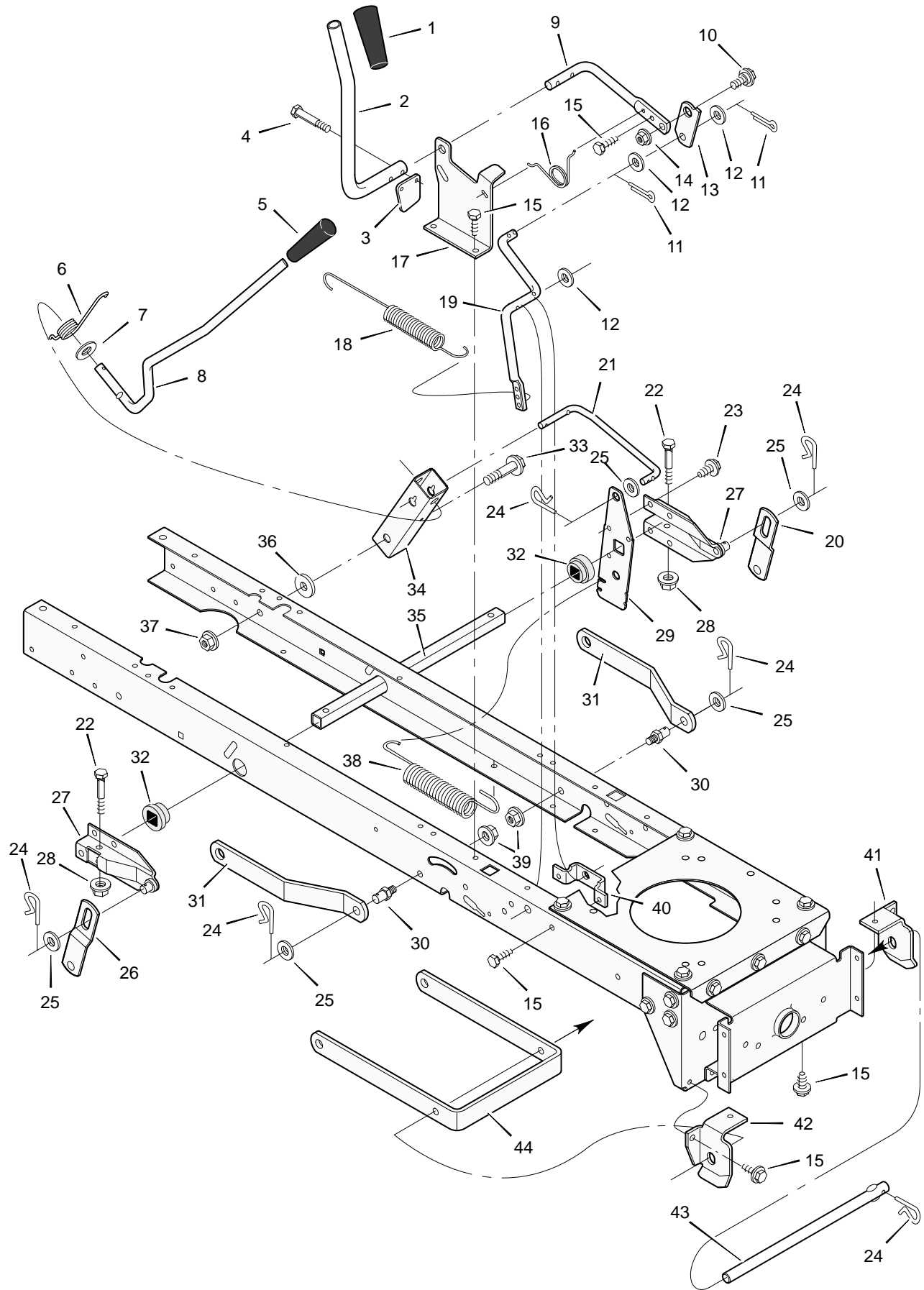
REPAIR PARTS STEERING

Key No.	Description	Part No.	Key No.	Description	Part No.
1	Wheel, Steering	95184	23	Washer	17x104
2	Post, Steering	94520	24	Washer	17x53 Z
3	Insert, Steering Wheel	711325	25	Nut, Flange	15x84
4	Bearing	94124	26	Axle Assembly	94012E700
5	Nut, Flange	15x113	27	Drag Link, Left	94021E700
6	Bolt, Shoulder	9x57	28	Spindle Assembly, Right	94575E700
7	Gear, Pinion	94122E700	29	Drag Link, Right	94020E700
8	Ring, Snap	11x25	30	Screw	26x249
9	Gear, Sector	94121E700	31	Bearing, Wheel	91334
10	Bearing	94123	32	Stem, Valve	24373
11	Bolt	1x84	33	Tire *	24380
12	Plate, Steering	94003E700	—	Tube	407924
13	Plate, Engine	94006E700	34	Wheel and Tire Assembly	94581-601
14	Nut, Flange	15x88	35	Washer	17x195
15	Nut, Flange	15x118	36	Washer	17x192
16	Bracket, Hanger	94013E700	37	Washer	17x113
17	Axle, Hanger	94007E700	38	Hub Cap	94618
18	Bolt	1x146	39	Screw	26x267
19	Pin, Cotter	30x49	40	Bellows	92059
20	Bearing	92527	41	Bolt	1x158
21	Spindle Assembly, Left	94576E700	42	Lockwasher	18x32
22	Bolt	1x111	43	Washer	17x146 Z

* When you order a tire, make sure to give the brand name of the tire so that the tread pattern on the tire will match.

MODEL 40560x50A

REPAIR PARTS MOWER HOUSING SUSPENSION



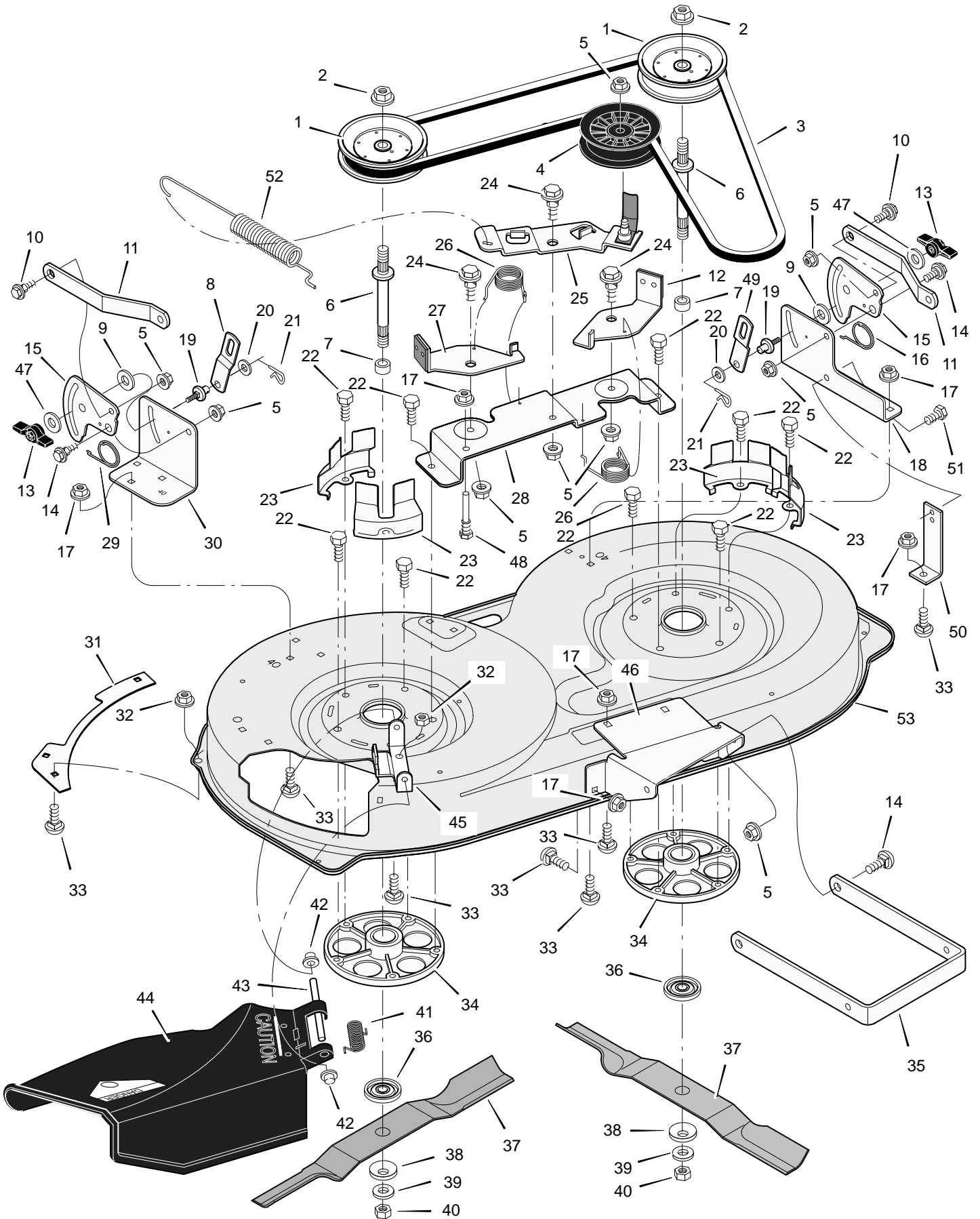
MODEL 40560x50A

REPAIR PARTS MOWER HOUSING SUSPENSION

Key No.	Description	Part No.	Key No.	Description	Part No.
1	Grip	92698	23	Screw	26x49
2	Handle	94217 Z	24	Pin, Hair	31x4
3	Pad, Switch	94022 Z	25	Washer	17x91 Z
4	Bolt	25x3	26	Link, Right Lift	94053E700
5	Grip	92697	27	Lever Assembly, Lift	94180E700
6	Spring	166x40	28	Nut, Flange	15x118
7	Washer	17x103	29	Plate, Lift Arm	94030E700
8	Lever, Lift	94029 Z	30	Pin	94067
9	Lever, PTO	94017 Z	31	Bracket, Rear Suspension	94055E700
10	Bolt, Shoulder	9x39	32	Bushing	94065
11	Pin, Cotter	30x20	33	Bolt, Shoulder	9x53
12	Washer	17x102	34	Bracket, Pivot	94015E700
13	Link, PTO	94004 Z	35	Tube, Deck Lift	94063E700
14	Nut, Flange	15x84	36	Washer	17x191
15	Screw	26x249	37	Nut, Flange	15x84
16	Spring	166x39	38	Spring	165x117
17	Bracket, PTO	94018E700	39	Nut, Flange	15x68
18	Spring	165x118	40	Bracket, PTO	94005E700
19	Crank, PTO	94019E700	41	Hanger, Left Deck	94027E700
20	Link, Left Lift	94611E700	42	Hanger, Right Deck	94026E700
21	Link, Lift	94028 Z	43	Rod, Hanger	94158Z
22	Bolt	1x74	44	Bracket, Suspension	94058E700

MODEL 40560x50A

REPAIR PARTS MOWER HOUSING



MODEL 40560x50A

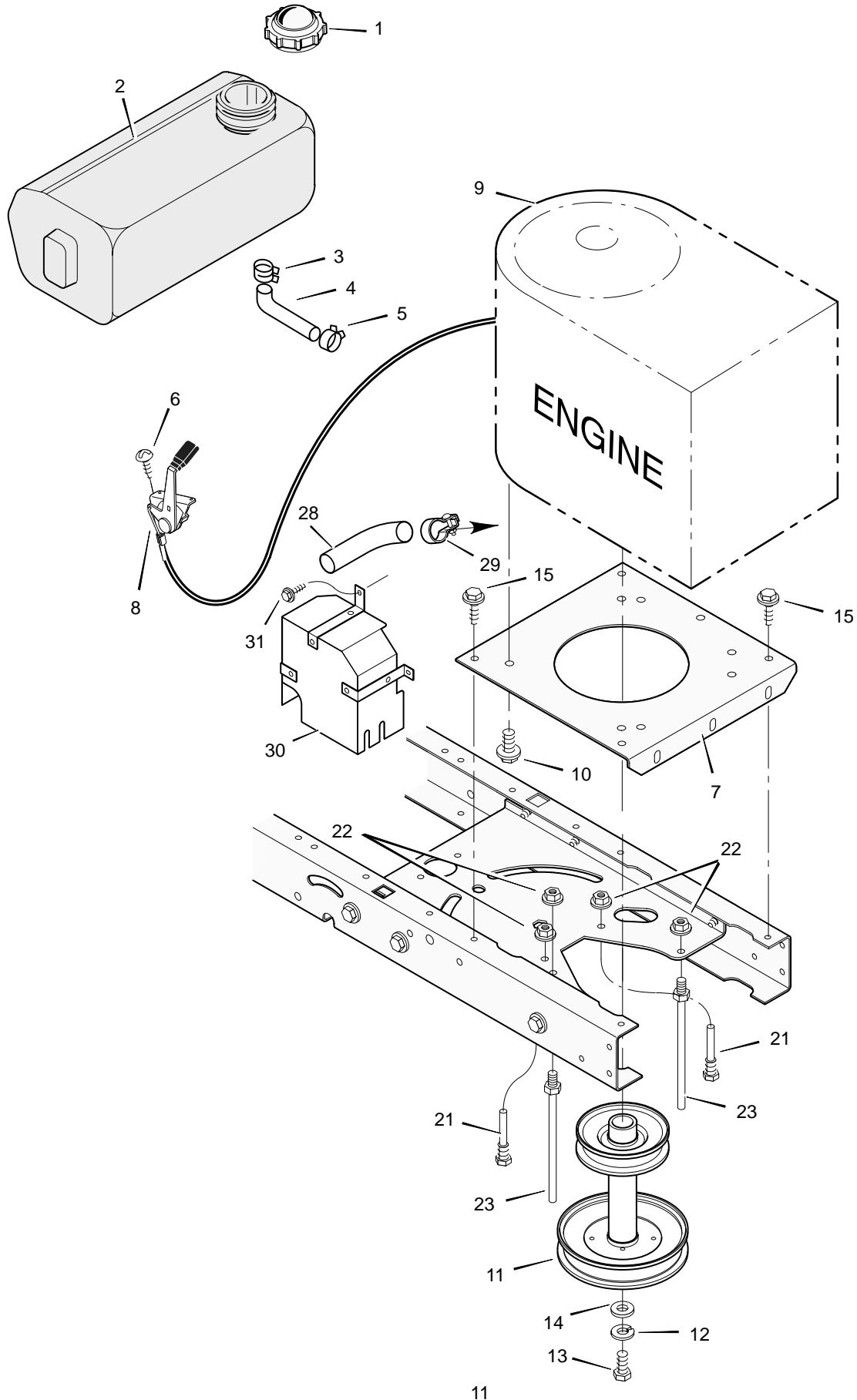
REPAIR PARTS MOWER HOUSING

Key No.	Description	Part No.	Key No.	Description	Part No.
1	Pulley, Jackshaft	92851	28	Bracket Assembly, Brake	94145E700
2	Nut, Hex	15x121	29	Spring	166x42
3	Belt, Mower Drive	37x62	30	Bracket, Suspension	94142E700
4	Pulley, Idler	91801	31	Plate	91770E700
5	Nut, Flange	15x84	32	Nut, Flange	15x88
6	Jackshaft	94129	33	Bolt, Carriage	2x53
7	Spacer	94130	34	Mandrell	90905
8	Link, Lift	94053E700	35	Bracket, Suspension	94058E700
9	Pad, Friction	94137	36	Adapter, Blade	92466
10	Bolt, Shoulder	9x52	37	Blade	92002E701
11	Bracket, Suspension	94055E700	38	Washer	17x166
12	Pad Assembly, Left Brake	94049E700	39	Washer	17x165
13	Knob	94068	40	Nut	15x100
14	Bolt, Shoulder	9x51	41	Spring	166x4
15	Plate, Suspension	94128E700	42	Cap, Push On	28x23
16	Spring	166x43	43	Rod, Pivot	94957 Z
17	Nut, Flange	15x79	44	Deflector Assembly	94707
18	Bracket, Suspension	94143E700	45	Bracket, Deflector	91765E700
19	Pin, Hanger	94064	46	Bracket, Front Hanger	94144E700
20	Washer	17x103	47	Washer	17x45 Z
21	Pin, Cotter	31x4	48	Guide, Belt	94781
22	Bolt	25x7	49	Link, Left Lift	94611E700
23	Cover, Pulley	94051E700	50	Bracket, Support	94681E700
24	Bolt, Shoulder	9x39	51	Screw	26x249
25	Arm, Idler	94177 Z	52	Spring, Extension	165x119
26	Spring	166x41	53	Housing, Blade *	94888E700
27	Pad Assembly, Right Brake	94047E700	1-53	Complete Mower Housing Assembly	776001

* Includes Key No. 17, 18, 30, 31, 32, 33, 45, 46, 47 and 51.

MODEL 40560x50A

REPAIR PARTS ENGINE MOUNT



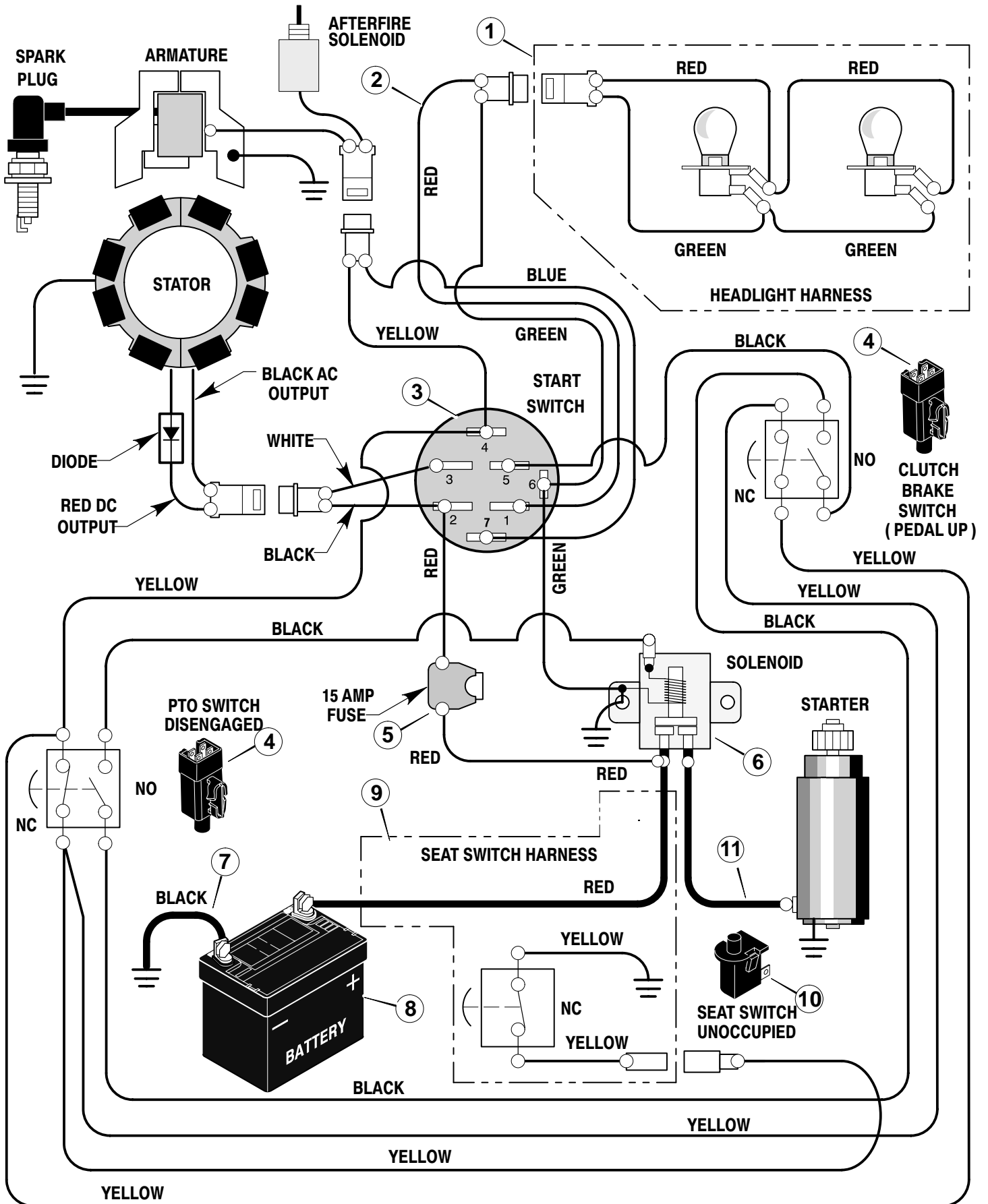
MODEL 40560x50A

REPAIR PARTS ENGINE MOUNT

Key No.	Description	Part No.
1	Fuel Cap	92317
2	Fuel Tank	92342
3	Hose Clamp	95197
4	Fuel Line	23717
5	Hose Clamp	95197
6	Screw	26x201
7	Plate, Engine	94006E700
8	Throttle Control	91989
9	Engine	—
10	Bolt, Engine Mount	25x7
11	Stack Pulley Assembly	94407 Z
12	Lockwasher	19x35
13	Bolt, Hex	1x140
14	Washer	17x170
15	Screw	26x249
21	Guide, Belt	93349
22	Nut, Flange	15x79Z
23	Guide, Belt	94066
28	Pipe, Exhaust	92855
29	Clamp	92558
30	Shield, Heat	92550
31	Screw	26x263

MODEL 40560x50A

REPAIR PARTS ELECTRICAL SYSTEM



MODEL 40560x50A

REPAIR PARTS ELECTRICAL SYSTEM

Key No.	Description	Part No.
1	Harness, Light Wire	250x68
	Socket, Light	92372
	Bulb, Light	90084
2	Harness, Chassis Wire	250x69
3	Switch, Ignition	92556
	Key, Ignition	20729
	Nut, Hex	91489
	Cap, Ignition	91488
4	Switch, Limit	94136
5	Fuse	54212
	Holder, Fuse	407078
6	Solenoid	94613
	Screw, Mounting	26x229
	Locknut	15x116
7	Cable, Battery Ground	24x32
	Screw, Ground Cable	26x213
8	Battery	21075
	Bolt, Carriage	2x82
	Wingnut	14x79
9	Harness, Seat Switch Wire	250x67
10	Switch, Seat Sensor	94159
11	Cable	24x31