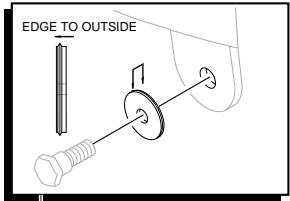


REF.
CHASSIS REAR PG.
(SEAT DECK ASSY.)



REF.
KEY#17

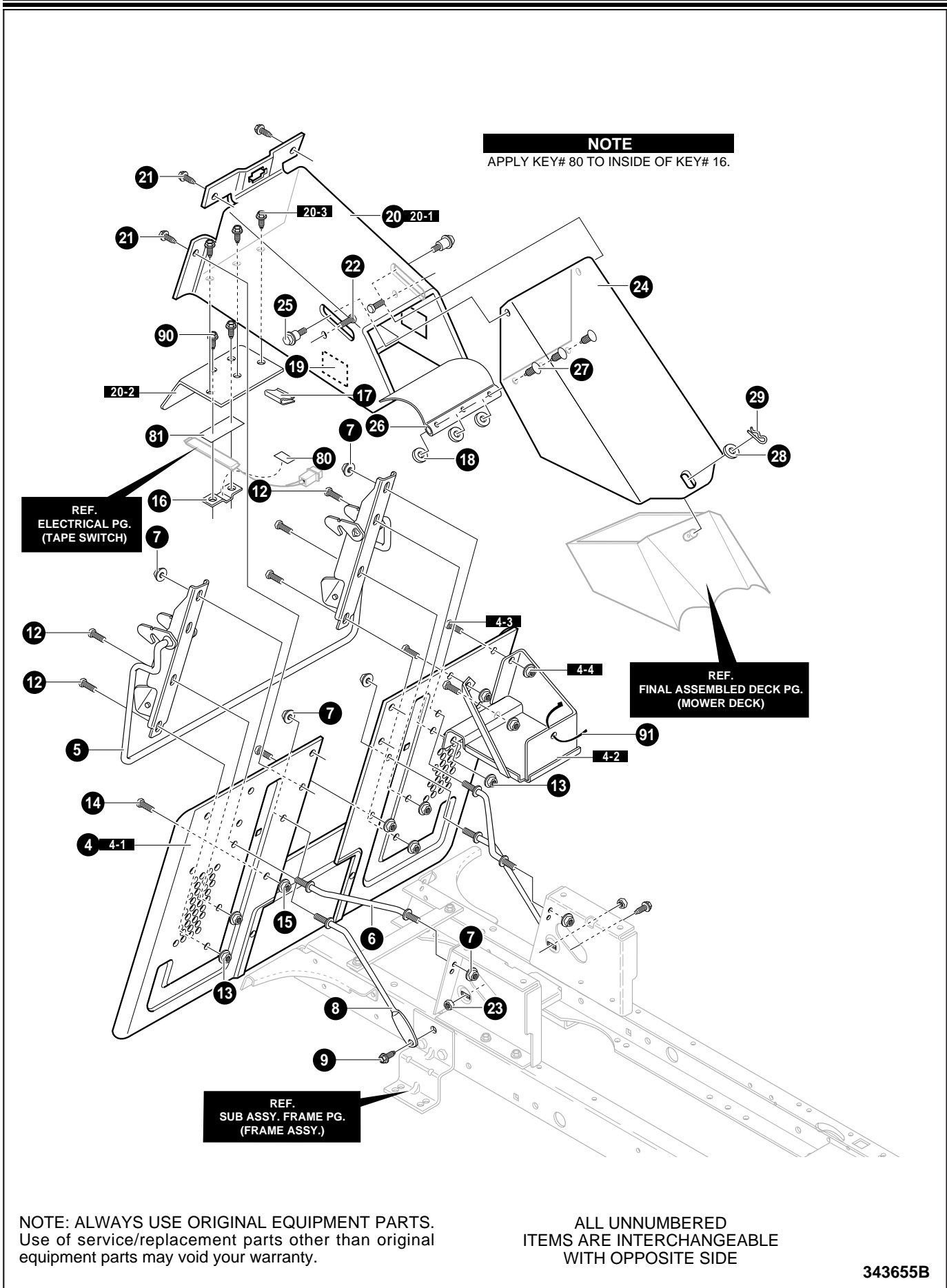
NOTE: ALWAYS USE ORIGINAL EQUIPMENT PARTS.
Use of service/replacement parts other than original
equipment parts may void your warranty.

ALL UNNUMBERED
ITEMS ARE INTERCHANGEABLE
WITH OPPOSITE SIDE

343654A

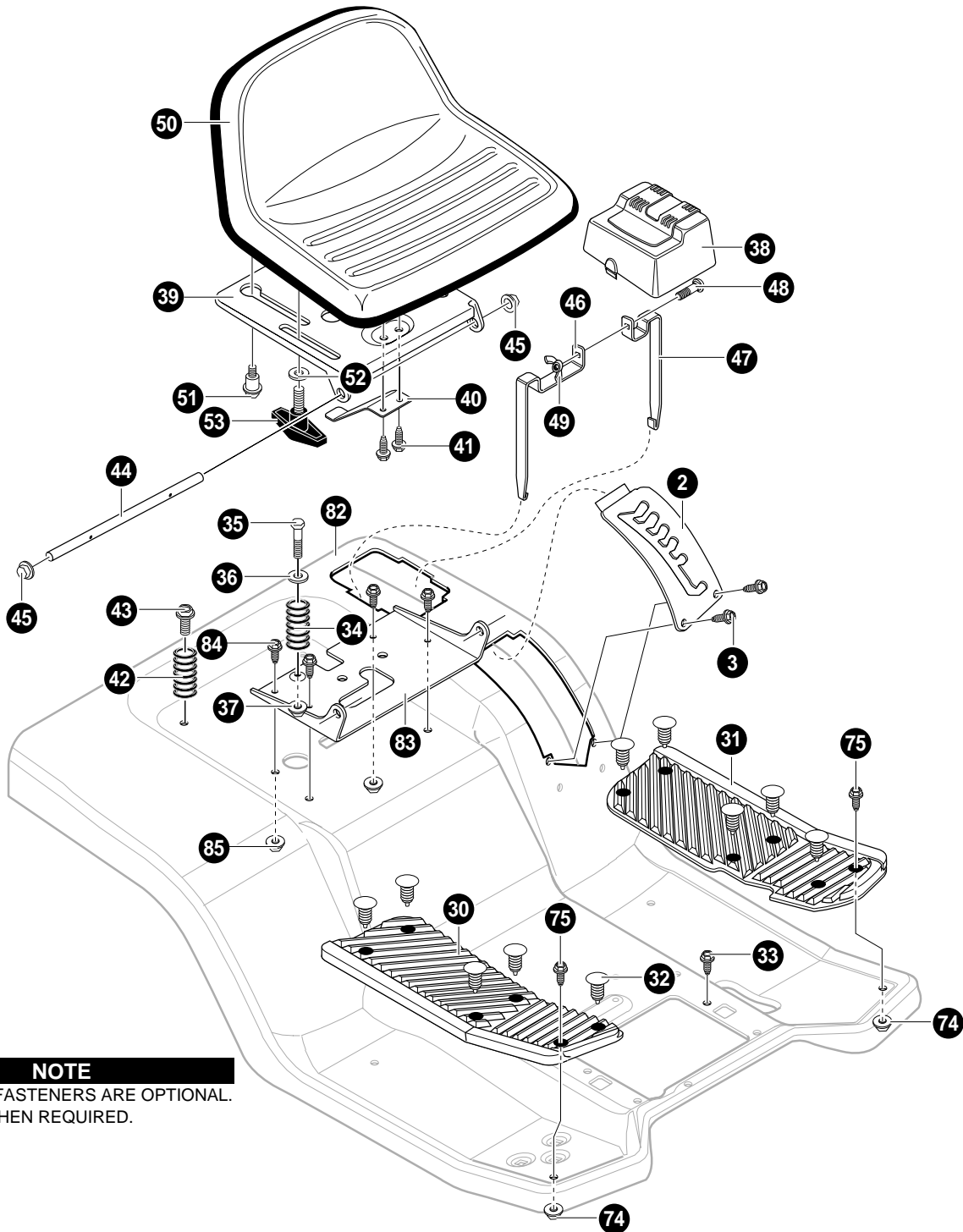
FRONT CHASSIS ASSEMBLY

KEY NO.	PART NO.	DESCRIPTION	QTY
1	690011-853	ASM., BUMP/GRILLE	1
2	711653	SCREW, 5/16-18X1.50	4
5	94455-810	GRILLE	1
6	710313	NUT, "J" TINNERMAN	3
7	711642	SCREW, 1/4-20X.63	3
8	95234	ASM., LENS & REFLECTOR	1
8-1	94459	LENS	1
8-2	94460	REFLECTOR	1
10	710197	SCREW, 1/4-14X.50	2
12	690052-810	HOOD ASM. W/STUDS	1
13	94458-810	PANEL SIDE, RH	1
14	94457-810	PANEL SIDE, LH	1
15	711625	BOLT, .497X.215 HSH 3/8-16	2
16	710067	WASHER, PLASTIC	2
17	690114	PIVOT BASE	2
18	711622	NUT, 3/8-16 HWDFLLK MACK	2
19	690113	CAP, PIVOT	2
20	94474	QUICK RELEASE-CAM	4
21	710314	SPRING, COMP .500DX.5LG	4
22	325232	NUT, WING 1/4-20 NYLON	4
23	313674	SCREW, 1/4-20X1.25	4
26	95291-810	CONSOLE ASM.	1
26-1	95173	LOWER CONSOLE	1
26-2	94465	BRACKET, LH	1
26-3	94464	BRACKET, RH	1
26-4	710196	SCREW, 10-24X.500TRSEGI	6
27	711606	SCREW, 5/16-18X.75 HHWATAP	6
32	690040	DASH	1
33	711629	SCREW, 10-24X.50	2
34	711629	SCREW, 10-24X.50	2
35	94075	STEERING BRACKET	1
36	710197	SCREW 1/4-14X.50 PAN CR	2
40	94519-810	STRUT, GRILLE	2
41	711642	SCREW, 1/4-20X.63	2
42	711652	SPEED NUT	2
44	643129	LANYARD, HOOD	1
45	782585	NUT, 1/4-20 REGHEXCTRLK	1
46	711674	SCREW, 1/4-20X.63	2
47	710313	NUT, "J" TINNERMAN	2
48	55023	TRIM	9.50 IN.
49	55023	TRIM	26.80 IN.
50	95366-810	ACCESS PANEL	1
51	711629	SCREW, 10-24X.50	2
	712135	OWNER'S MANUAL (NOT SHOWN)	



REAR CHASSIS ASSEMBLY

KEY NO.	PART NO.	DESCRIPTION	QTY
4	343678-853	ASSY, BACK PLATE/BATTERY	1
4-1	95162	ASM. BACKPLATE FLAT	1
4-2	94563	BATTERY TRAY ASM.	1
4-3	180073	SCREW, 5/16-18X.50 HHC	3
4-4	45174	NUT, 5/16-18 HEXWDFLLK WHIZ	3
5	95359-853	WELDMENT-LATCH LEVER	1
6	690097	ROD, BRACE	2
7	711906	NUT, 3/8-16 HWDFL WHIZ-LOCK	5
8	94231	ROD, BRACE	2
9	711606	SCREW, 5/16-18X.75 HHWATAP	2
12	711907	SCREW 5/16-18X.75 HXWDFL	5
13	710026	NUT, 5/16-18 HEXWDFLLK WHIZ	5
14	711606	SCREW 5/16-18X.75 HHWATAP	2
15	710026	NUT, 5/16-18 HEXWDFLLK WHIZ	2
16	95390-853	BRACKET, FLEX SWITCH MOUNTING	1
17	55939	WIRE CLIP, ADHESIVE	1
18	711666	WASHER, FLAT .250X .56	3
19	318197	PAD, ADHESIVE 1.00X1.50X.12	2
20	690102-853	ASM., T/A SHIELD & UPPER CHUTE	1
20-1	94350	CHUTE WELD ASM. UPPER	1
20-2	95367	SHIELD, TRANSAXLE	1
20-3	711642	SCREW, 1/4-20X.63 HHWATAP	4
21	711606	SCREW, 5/16-18X.75 HHC	4
22	711688	BOLT, 5/16-18X.75 CARR	2
23	710026	NUT, 5/16-18 HEXWDFLLK WHIZ	2
24	94296-853	MIDDLE CHUTE ASSY	1
25	711908	BOLT, .500X.453 3/8-16	2
26	94264	FLAP, CHUTE	1
27	309235	FASTENER, RATCHET	3
28	711617	FLATWASHER .550X1.00X11	1
29	711682	PIN, HAIR .38DIAX1.64LG	1
80	712009	TAPE, DOUBLE SIDED FOAM 3/4" WD	0.560
81	712009	TAPE, DOUBLE SIDED FOAM 3/4" WD	3
90	711642	SCREW, 1/4-20X.63 HHWATAP	2
91	57444	CABLE TIE	1



NOTE
 FOOTPAD & FASTENERS ARE OPTIONAL.
 ONLY USE WHEN REQUIRED.

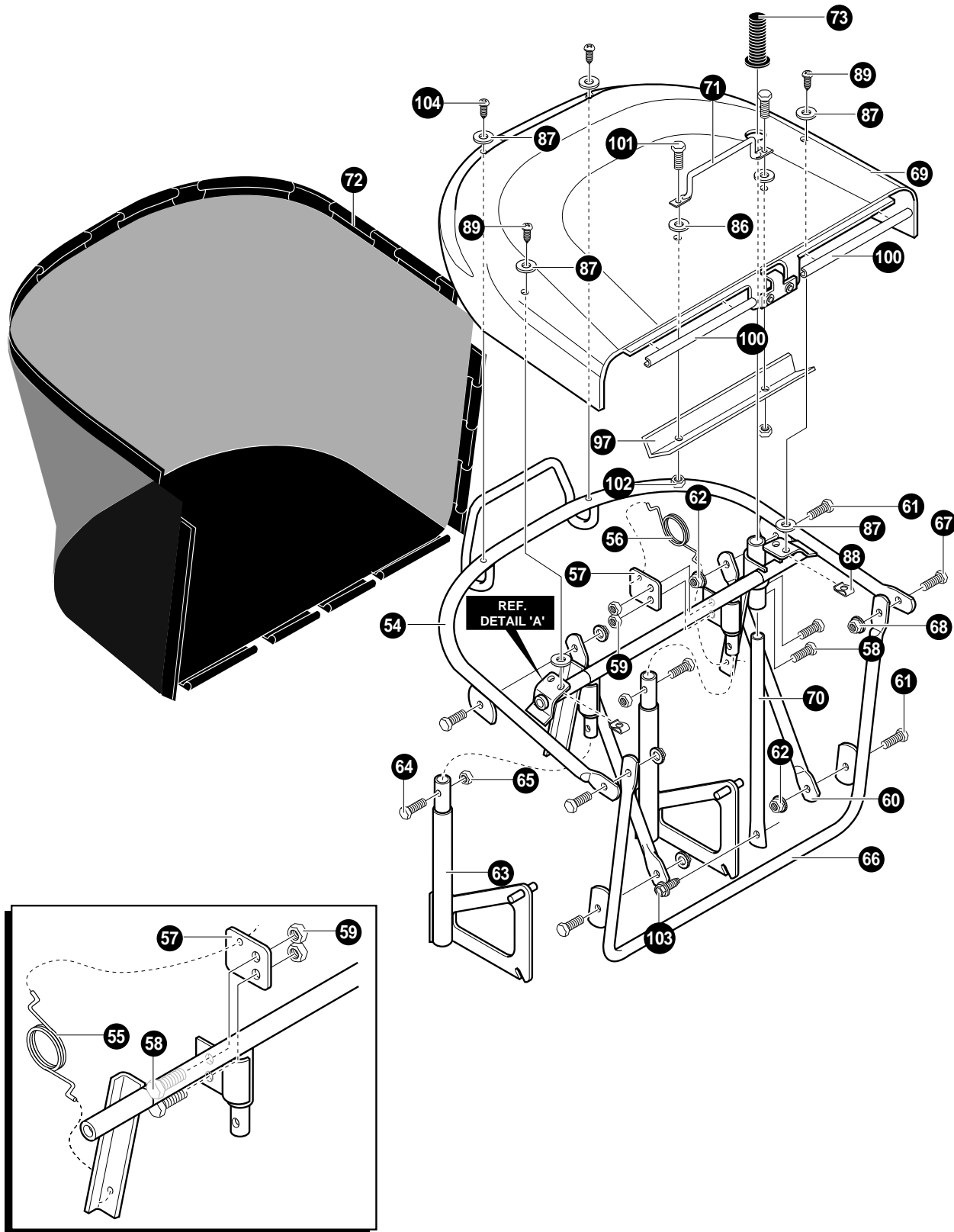
NOTE: ALWAYS USE ORIGINAL EQUIPMENT PARTS.
 Use of service/replacement parts other than original
 equipment parts may void your warranty.

ALL UNNUMBERED
 ITEMS ARE INTERCHANGEABLE
 WITH OPPOSITE SIDE

343655B

REAR CHASSIS ASSEMBLY

KEY NO.	PART NO.	DESCRIPTION	QTY
2	95190-853	PLATE, LIFT DETENT	1
3	711741	SCREW, #12X.50 PHPNHTAP	2
30	95409	FOOTREST PAD RH	1
31	95408	FOOTREST PAD LH	1
32	309235	RATCHET FASTENER	10
33	711606	SCREW, 5/16-18X.75HHWATAP	1
34	710136	SPRING, COMPRESSION 4.57LGX1.17	1
35	711610	BOLT, SHOULDER 1/4-20	1
36	95293	ZINC WASHER CUP	1
37	46931	NUT, 1/4-20 WDFLLK	1
38	94200	COVER, BATTERY	1
39	94154-810	SUPPORT, SEAT	1
40	94057	SPRING-LEAF	1
41	711592	SCREW, 1/4-20X.50 WAHHTAP	2
42	710109	SPRING, COMPRESSION 2.43LG 164X30	2
43	711606	SCREW, 5/16-18X.75 HHWATAP	2
44	95294	ZINC HINGE SEAT PIVOT	1
45	711627	NUT, PUSH CAP .375	2
46	95393-853	BATTERY, BRACKET L.H.	1
47	95394-853	BATTERY BRACKET R.H.	1
48	711680	BOLT, 1/4-20X.63 CARR.	1
49	711636	NUT, WING 1/4-20 14X79	1
50	95415	SEAT	1
51	711654	BOLT, SHOULDER 5/16-18	2
52	711644	WASHER, FLAT .344X.62X.06	2
53	711747	BOLT, WING 5/16-18X.50	2
74	710026	NUT, 5/16-18 HEXWDFLLK WHIZ	2
75	711891	BOLT, 5/16-18X.7A5 CARR.	2
82	94311-810	ASM., SEAT DECK PEDAL HYDRO	1
83	94153-810	BRACKET, PIVOT SEAT	1
84	711606	SCREW, 5/16-18X.75 HHWATAP	4
85	711634	NUT, 5/16-18 WDFLLK	2



DETAIL 'A'

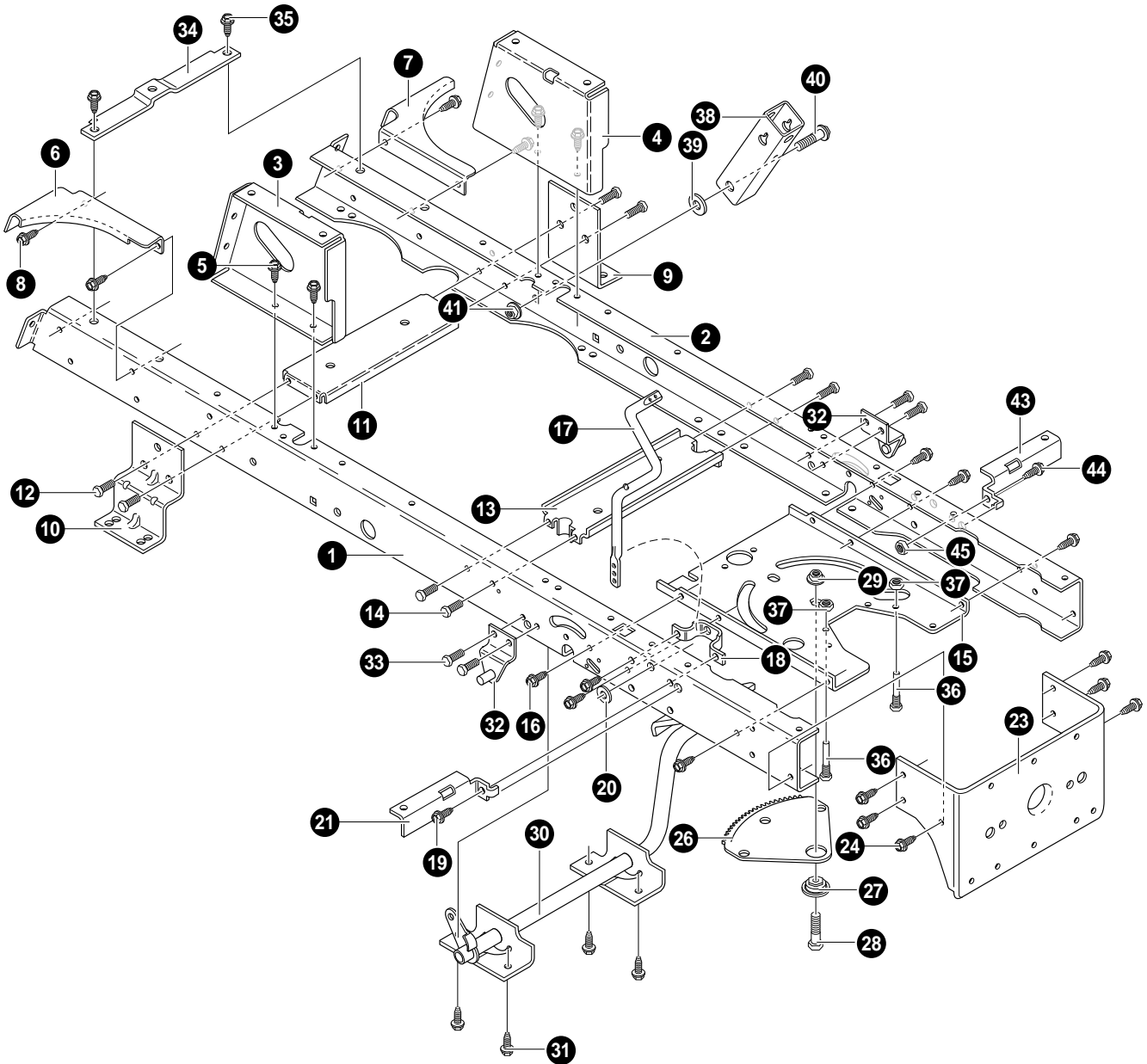
NOTE: ALWAYS USE ORIGINAL EQUIPMENT PARTS.
Use of service/replacement parts other than original
equipment parts may void your warranty.

ALL UNNUMBERED
ITEMS ARE INTERCHANGEABLE
WITH OPPOSITE SIDE

343655B

REAR CHASSIS ASSEMBLY

KEY NO.	PART NO.	DESCRIPTION	QTY
54	690044-853	ASM. WELD UPPER FRAME	1
55	690003	SPRING, TORSION RH	1
56	690004	SPRING, TORSION LH	1
57	95339-853	BRACKET, SPRING COLLECTOR	2
58	180016	SCREW, 1/4-20X.50 HHC	4
59	782585	NUT, 1/4-20 REGHEXCTRLK	4
60	94850-853	BRACE, FRAME COLLECTOR	2
61	711909	SCREW, 1/4-20X.62 HHC	4
62	711632	NUT, 1/4-20HEXNYL	4
63	95343-853	WELD ASM., SUPPORT COLLECTOR	2
64	180034	SCREW, 1/4-20X1.50	2
65	782585	NUT, 1/4-20 REGHEXCTRLK	2
66	95349-853	WELD ASM., FRONT FRAME COLLECT.	1
67	711909	SCREW, 1/4-20X.62 HHC	2
68	711632	NUT, 1/4-20 HEXNYL	2
69	94908-810	TOP COLLECTOR ASM.	2
70	94853	HANDLE, DUMP COLLECTOR	1
71	94855-853	HANDLE, REBA COLLECTOR	1
72	95389	REBA COLLECTOR BAG	1
73	94854	RUBBER GRIP	1
86	712129	WASHER, .281X1.25X.06	2
87	711921	WASHER, .328X1.06X.062	6
88	578107	NUT, 1/4-20 TINN U	2
89	711674	SCREW, 1/4-20X.63 PHPNHD	2
97	690010-853	BRACE, BAGGER	1
100	55023	TRIM 77.5 INCHES	22 IN.
101	712068	SCREW 1/4-20X1.50 PHPNHD	2
102	711632	NUT, 1/4-20 HEXNYL	2
103	710266	SCREW, 10-24X.38 SLHWATAP	1
104	711741	SCREW, #12X.50 PHPNHTAP	2



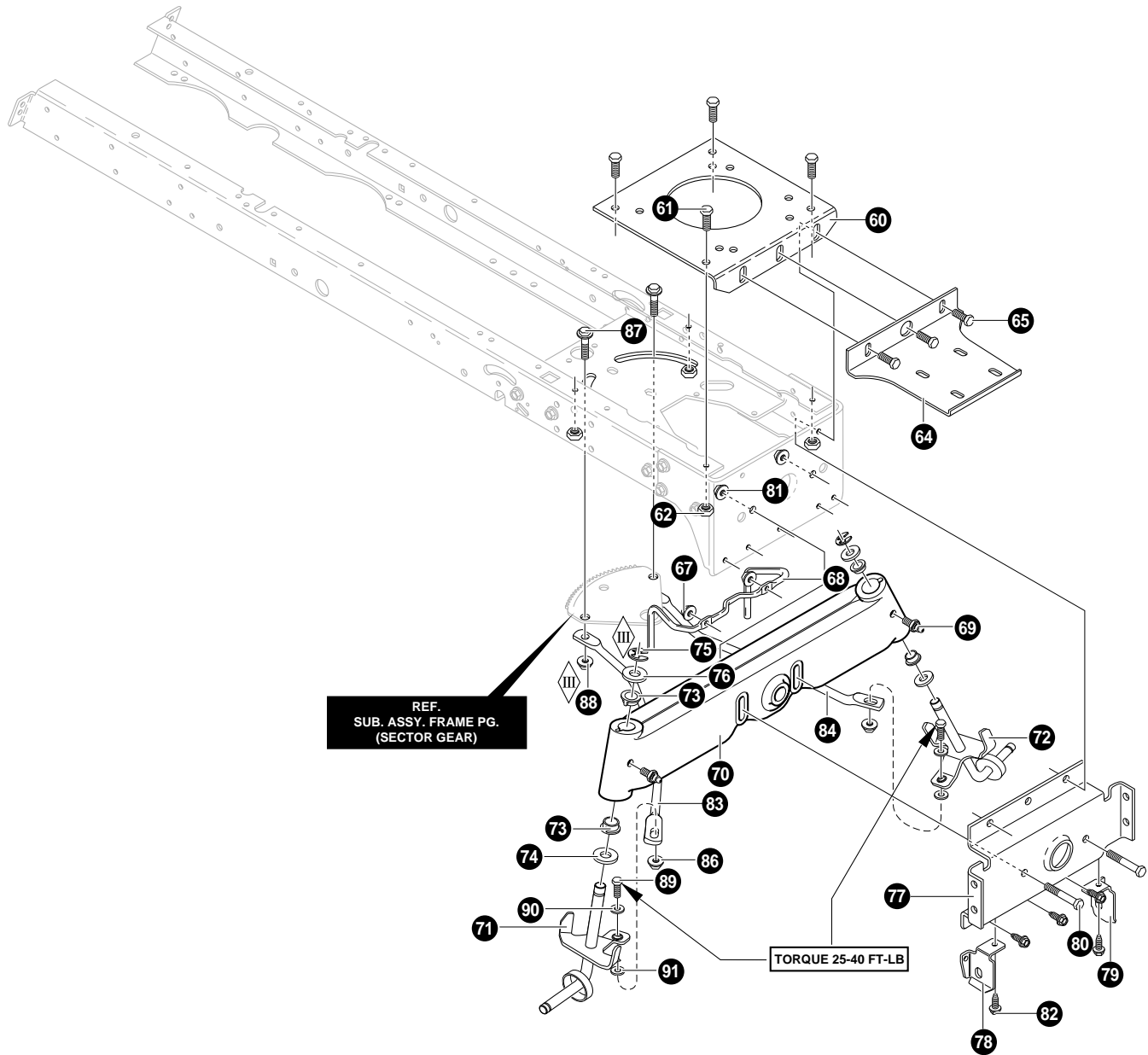
NOTE: ALWAYS USE ORIGINAL EQUIPMENT PARTS.
Use of service/replacement parts other than original
equipment parts may void your warranty.

ALL UNNUMBERED
ITEMS ARE INTERCHANGEABLE
WITH OPPOSITE SIDE

343650A

FRAME ASSEMBLY

KEY NO.	PART NO.	DESCRIPTION	QTY
1	94564	FRAME, RAIL RH	1
2	94565	FRAME, RAIL LH	1
3	94634	SUPPORT, SEAT RH	1
4	94633	SUPPORT, SEAT LH	1
5	710079	SCREW 5/16-18X.75 HHWATAP	4
6	94561	BRACE, BACKPLATE RH	1
7	94562	BRACE, BACKPLATE LH	1
8	710079	SCREW 5/16-18X.75 HHWATAP	4
9	94008	BRACKET, TRANSAXLE	1
10	94234	BRACKET T/A RH-VST LH MST	1
11	94236	ASM., IDLER MOUNT, REAR	1
12	710079	SCREW, 5/16-18X.75 HHWATAP	4
13	94237	ASM. IDLER MOUNT, FRONT	1
14	710079	SCREW, 5/16-18X.75 HHWATAP	4
15	94003	PLATE, STEERING MOUNTING	1
16	710079	SCREW, 5/16-18X.75 HHWATAP	6
17	94019	CRANK, PTO	1
18	94005	BRACKET, BELL CRANK	1
19	710079	SCREW, 5/16-18X.75 HHWATAP	2
20	120395	WASHER, FLAT .469X.92X.065	1
21	690035	BRACKET-SEAT DECK R.H.	1
23	94013	BRACKET, HANGER REAR	1
24	710079	SCREW, 5/16-18X.75HHWATAP	6
26	94121	GEAR, SECTOR	1
27	94123	BEARING, SECTOR GEAR	1
28	710312	SCREW, 5/16-18X1.00	1
29	710105	NUT, 5/16-18 HEXKEPS 15X113	1
30	690033	ASM., CLUTCH/BRAKE PEDAL	1
31	710079	SCREW, 5/16-18X.75 HHWATAP	4
32	94285	BRACKET, SUSPENSIONASM.	2
33	710079	SCREW, 5/16-18X.75 HHWATAP	4
34	94566	BRACE, RAIL	1
35	710079	SCREW, 5/16-18X.75 HHWATAP	2
36	93349	ZINC SCREW GUIDE	2
37	710204	NUT, 5/16-18 HEXWDFLLK WHIZ	2
38	94015	BRACKET, PIVOT	1
39	845	WASHER, FLAT .390X1.25X.119	1
40	710000	BOLT, .562X1.563 HSH 3/8-16	1
41	710140	NUT, 3/8-16 HWDFFLLK MACK 15X84	1
43	690036	BRACKET -SEAT DECK LH	1
44	710079	SCREW, 5/16-18X.75 HHWATAP	1
45	710204	NUT, 5/16-18 HEXWDFLLK WHIZ	1



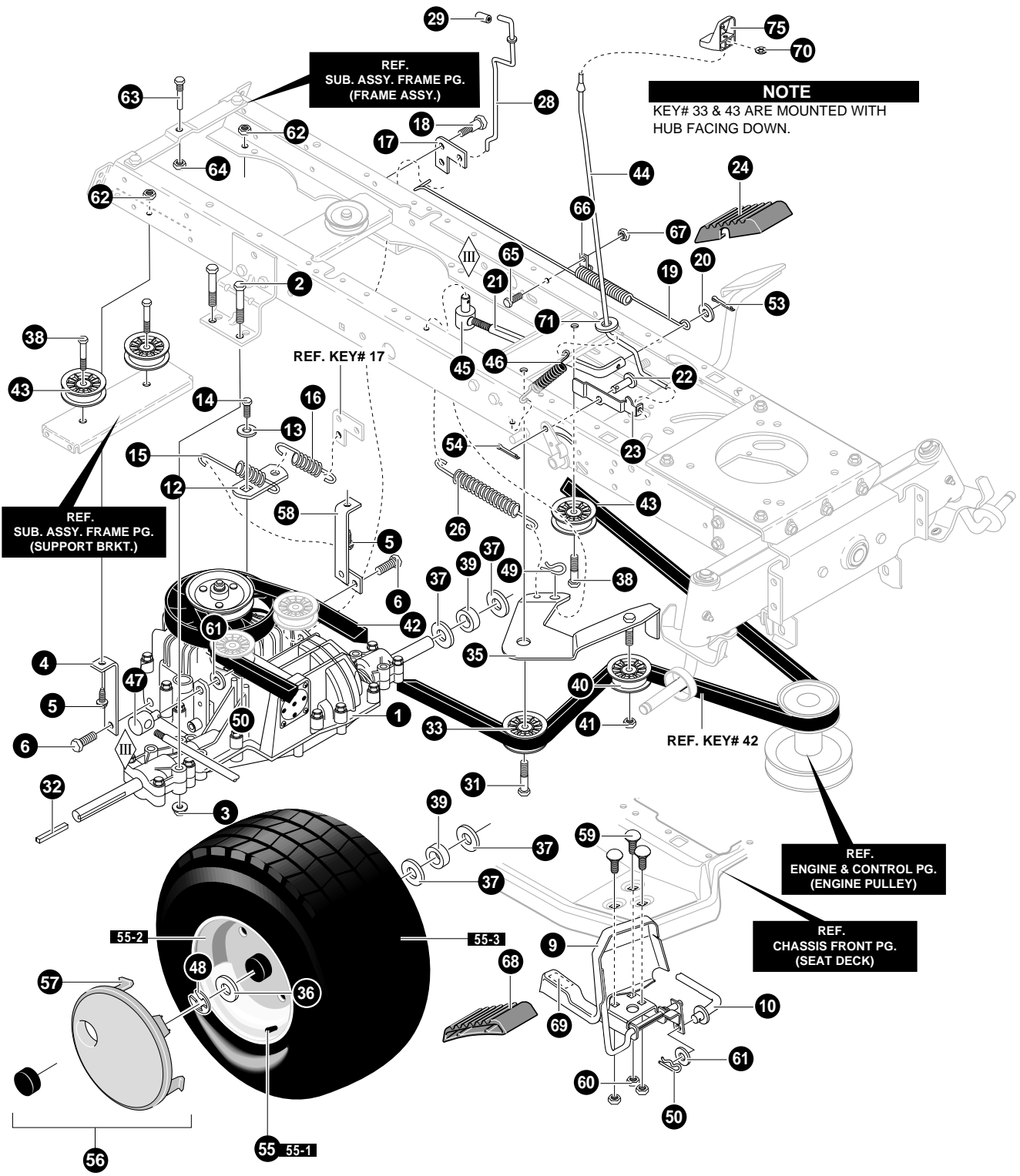
NOTE: ALWAYS USE ORIGINAL EQUIPMENT PARTS.
Use of service/replacement parts other than original
equipment parts may void your warranty.

ALL UNNUMBERED
ITEMS ARE INTERCHANGEABLE
WITH OPPOSITE SIDE

343650A

FRAME ASSEMBLY

KEY NO.	PART NO.	DESCRIPTION	QTY
60	94006	ENGINE PLATE	1
61	710079	SCREW, 5/16-18X.75 HHWATAP	4
62	710205	NUT, 5/16-18 WDFLLK 15X88	4
64	94307	BRACKET, MUFFLER	1
65	710079	SCREW, 5/16-185HHWATAP	3
67	45174	NUT, 5/16-18 HEXWDFKLLK WHIZ	2
68	94310	GUIDE-STACK PULLEY BELT	1
69	706	ZERK, GREASE FITTING	2
70	95405	AXLE, CAST MACHINED REBA	1
71	95182	SPINDLE, LONG RH	1
72	95183	SPINDLE, LONG LH	1
73	92527	BEARING, SPINDLE	4
74	710129	WASHER, .766IDX1.62ID	2
75	710103	E-RING .574IDX.050/.750SH 11X3	2
76	710088	WASHER, FLAT .765X1.81X.059	2
77	94007	HANGER, AXLE	1
78	94290	HANGER, DECK RH	1
79	94289	HANGER, DECK LH	1
80	180113	SCREW, 5/16-18X3.00	2
81	710205	NUT, 5/16-18 WDFLLK 15X88	2
82	710079	SCREW, 5/16-18X.75 HHWATAP	5
83	95329	DRAG LINK LH	1
84	95328	DRAG LINK RH	1
86	710140	NUT, 3/8-16 HWDFFLLK MACK 15X84	2
87	710440	SHOULDER BOLT 9X57	2
88	710140	NUT, 3/8-16 HWDFFLLK MACK 15X84	2
89	710082	SCREW, 3/8-16X1.5	2
90	710083	WASHER FLAT .391X1.00X.083	2
91	710142	WASHER FLAT .406X.81X16GA	2



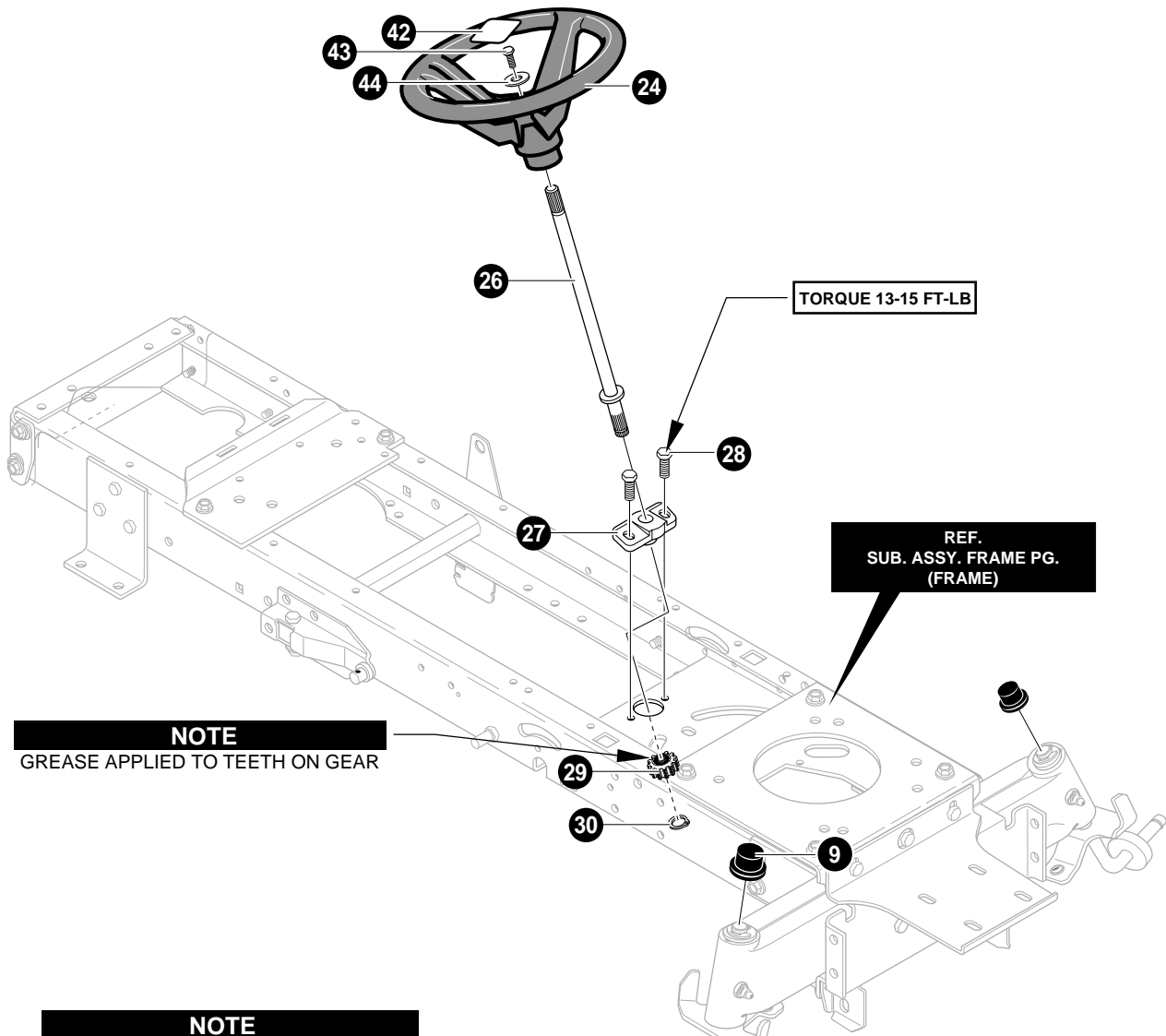
NOTE: ALWAYS USE ORIGINAL EQUIPMENT PARTS.
Use of service/replacement parts other than original equipment parts may void your warranty.

ALL UNNUMBERED
ITEMS ARE INTERCHANGEABLE
WITH OPPOSITE SIDE

MOTION DRIVE ASSEMBLY

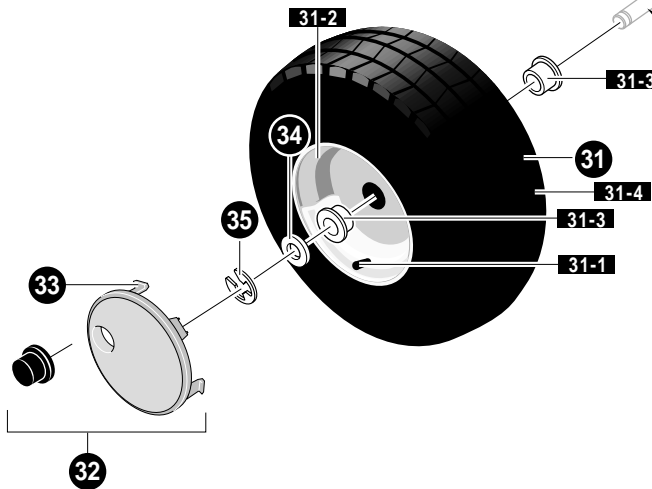
KEY NO.	PART NO.	DESCRIPTION	QTY
1	*	PEERLESS HYDRO VST205-025BM	1
2	711669	SCREW, 5/16-18X2.50	4
3	711634	NUT, 5/16-18 WDFLLK	4
4	94224-853	BRACKET, STABILIZER	1
5	711893	SCREW, 5/16-18X1.0	2
6	710268	SCREW, 5/16-18X.75 WAHTAP	2
9	94422-853	ASSEMBLY, PEDAL HYDRO	1
10	690018	ROD, FOOT CONTROL	1
12	323212	BRACKET, SHIFT	1
13	711895	WASHER, .750X.250 SP-TRANSAXLE	1
14	710345	SCREW, 1/4-28X.75	1
15	94622	SPRING, TRANSAXLE DISCONNECT	1
16	326780	SPRING, TENSION	1
17	94621-853	BRACKET, DISCONNECT LEVER	1
18	711896	BOLT, .437X.136 HSH 5/16-18	1
19	95424	SPRING, BRAKE	1
20	711921	WASHER, FLAT .328X1.06X.062	1
21	690016	ROD, CLUTCH	1
22	711903	PIN, CLEVIS	1
23	690048	LATCH, PARKING BRAKE	1
24	95220	PAD, CLUTCH/BRAKE	1
26	711522	SPRING, TENSION	1
28	690015	ROD, DISCONNECT CONTROL	1
29	690032	GRIP, HYDRO DISCONNECT	1
31	711905	SCREW, 3/8-16X1.25	1
32	52928	KEY, SQUARE	2
33	95531	PULLEY, IDLER	1
35	94238-853	ASSY, IDLER ARM TRACTION	1
36	711758	FLATWASHER, .765X1.81X.059	2
37	711904	WASHER, FLAT .755ID	4
38	711905	SCREW, 3/8-16X1.25	3
39	95274	SPACER .87X1.78	2
40	91179	PULLEY, IDLER 2.75 DIA	1
41	45905	NUT, 3/8-16 HWDFLLK MACK	1
42	94609	BELT, V 4L 112.75	1
43	95531	PULLEY, IDLER V4L3.00X.710	3
44	95108	ZINC ROD PARKING BRAKE	1
45	711898	NUT, 5/16-18X3/8 ADJUSTING	1
46	711560	SPRING, TENSION	1
47	711594	ADJUSTING NUT 1/2-13	1
48	710103	E-RING .574IDX.050/.75	2
49	711899	PIN, HAIR .53DIA X1.62LG	1
50	711676	PIN, HAIR	2
53	711897	PIN, COTTER .090 DIA X .75	1
54	711897	PIN, COTTER .090 DIA X .75	1
55	692511	TIRE & RIM	2
55-1	338512	VALVE STEM	1
55-2	338524	RIM, CARL	1
55-3	338525	TIRE, 20X8X8	1
56	94618	HUBCAP, AXLE SHAFT	2
57	-	NOT USED ON THIS UNIT	
58	94225-853	STABILIZER BRACKET RH	1
59	711688	BOLT, 5/16-18X.75 CARR.	3
60	710026	NUT, 5/16-18 HEXWDFLLK WHIZ	3
61	711894	WASHER, FLAT .515X.88X.064	2
62	710026	NUT, 5/16-18HEXWDFLLK WHIZ	2
63	711745	ZINC SCREW GUIDE 5/16-18	1
64	711633	NUT, 5/16-18 HEXWDFLLK WHIZ	1
65	180016	SCREW, 1/4-20X.50	1
66	711742	RETAINER, .31IDX.62X.03 WIRE	1
67	780285	NUT, 1/4-20 WDFLWHIZ-LK	1
68	94798	PAD, SPEED CONTROL PEDAL	1
69	93249	PAD, TOE SANDPAPER	1
70	711691	PUSHNUT, .240ID DIA. STUD	1
71	71067	WASHER, FLAT .286X.63X.065	1
75	95315	KNOB, PARKING BRAKE	1

* CONTACT YOUR NEAREST TRANSAXLE DEALER FOR PARTS AND SERVICE.



NOTE
GREASE APPLIED TO TEETH ON GEAR

NOTE
KEY# 32 & 33 ARE OPTIONAL, DEPENDS ON UNIT



NOTE
GREASE APPLIED TO SPINDLE SHAFT

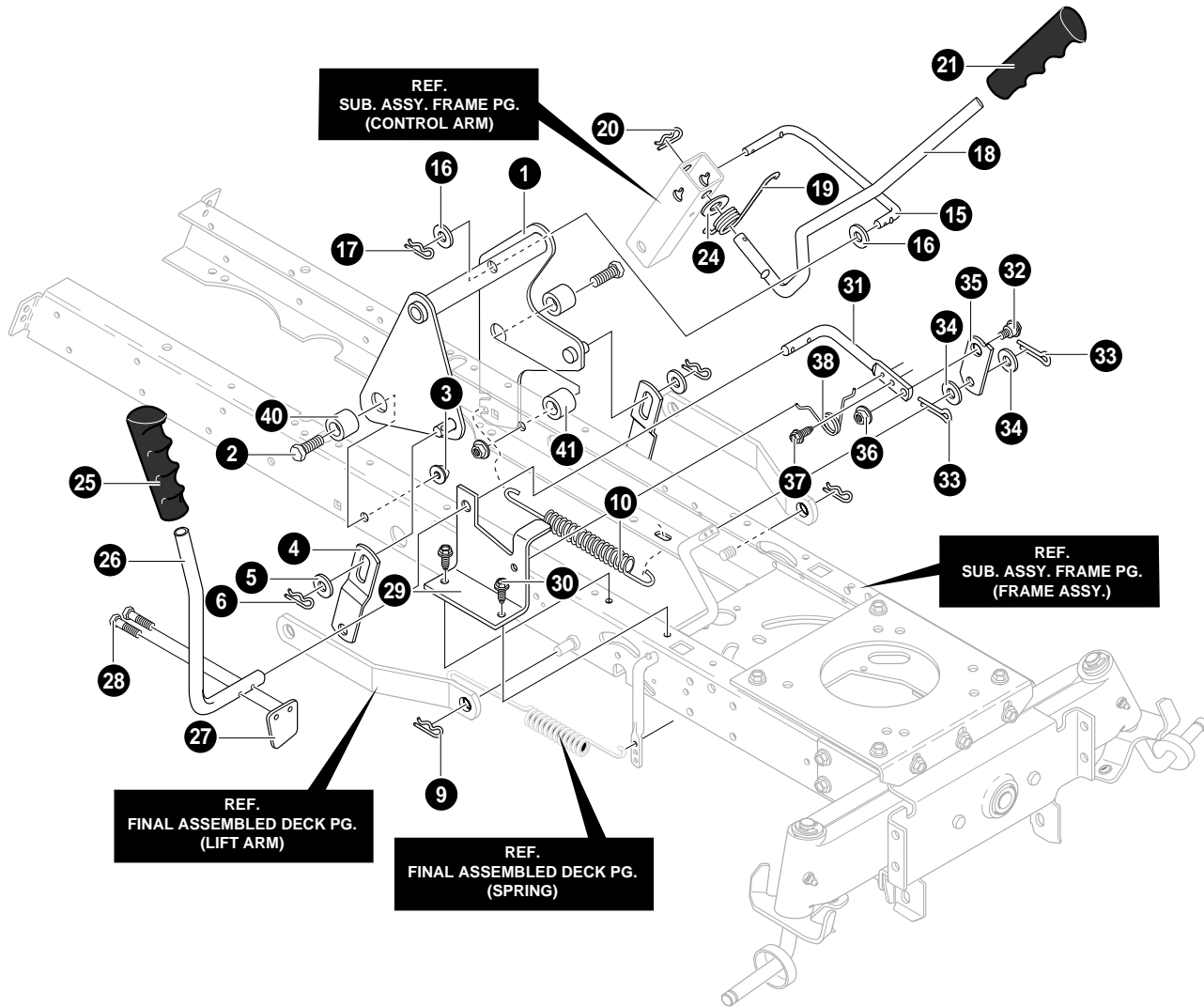
NOTE: ALWAYS USE ORIGINAL EQUIPMENT PARTS.
Use of service/replacement parts other than original equipment parts may void your warranty .

ALL UNNUMBERED
ITEMS ARE INTERCHANGEABLE
WITH OPPOSITE SIDE

343653A

STEERING ASSEMBLY

KEY NO.	PART NO.	DESCRIPTION	QTY
9	94618	DUST HUB CAP	2
24	95185	STEERING WHEEL	1
26	94520	SHAFT, STEERING	1
27	94124	BEARING-LOWER	1
28	711606	SCREW, 5/16-18X.75	2
29	94122	GEAR PINNION	1
30	710102	RING, RET E.	1
31	692641	TIRE&RIM, 15X6.0-6	2
31-1	338512	VALVE STEM	1
31-2	338517	RIM	1
31-3	338513	BEARING	1
31-4	338514	TIRE, 15X6X6	1
32	94618	HUBCAP, AXLE SHAFT	2
34	710088	WASHER, FLAT .765X1.62X.065	2
35	710103	E-RING	2
42	711326	INSERT, STEERING WHEEL HUB	1
43	711719	SCRW, 1/4-20X.75 HHC	1
44	711663	WASHER, FLAT .281X1.25X.06	1



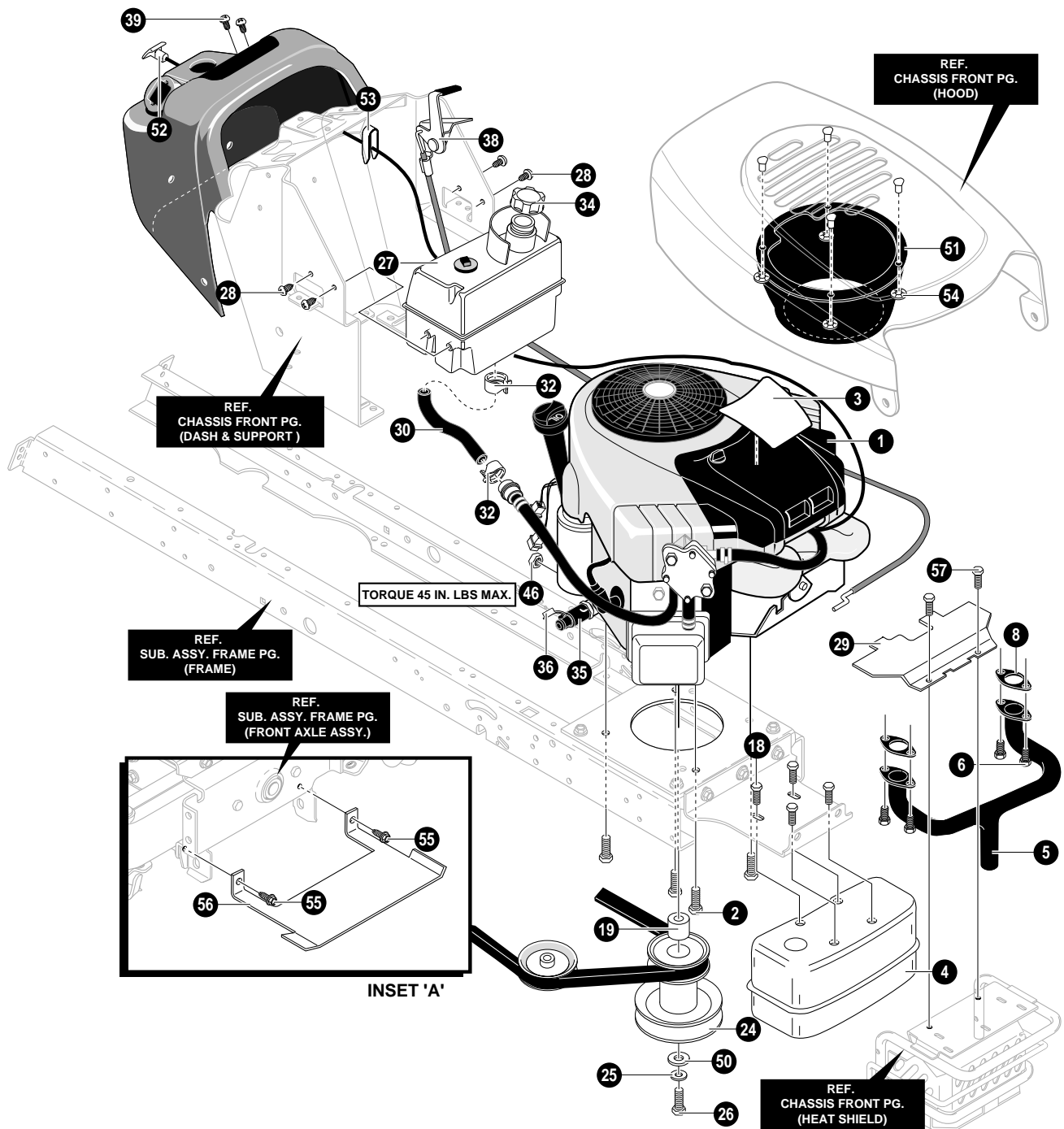
NOTE: ALWAYS USE ORIGINAL EQUIPMENT PARTS.
Use of service/replacement parts other than original equipment parts may void your warranty.

ALL UNNUMBERED
ITEMS ARE INTERCHANGEABLE
WITH OPPOSITE SIDE

343657A

MOWER SUSPENSION ASSEMBLY

KEY NO.	PART NO.	DESCRIPTION	QTY
1	95233-853	ASSEMBLY, LIFT ARM	1
2	711917	SCREW, 1/2-13X1.50	2
3	711918	NUT, 1/2-13 LOCK	2
4	94262-853	BRACKET, LIFT LINK	2
5	711617	WASHER, FLAT	2
6	711676	PIN, HAIR .38DIAX1.64LG	2
9	711676	PIN, HAIR	2
10	710235	SPRING, EXTENSION 9.82X1.01 OD	1
15	711981	LINK - LIFT HANDLE	1
16	711617	WASHER, FLAT	2
17	711676	PIN, HAIR	1
18	95296	HANDLE, LIFT	1
19	710111	TORSION SPRING	1
20	711676	PIN, HAIR	1
21	94497	GRIP, LIFT	1
24	711616	WASHER, FLAT .550X1.00X11	1
25	94496	GRIP	1
26	95268	PTO HANDLE	1
27	95284	ZINC PADDLE, SWITCH	1
28	711621	SCREW, THREAD FORM	2
29	94018-853	BRACKET, PTO	1
30	780055	SCREW, 5/16-18X.50	2
31	95283	ZINC LEVER, PTO	1
32	711613	BOLT, .50X.75 HSH 3/8-16	1
33	711659	PIN, HAIR	2
34	711615	WASHER, FLAT .518X.87X16	2
35	95282	ZINC LINK PTO	1
36	711622	NUT, 3/8-16 HWDFLLK MACK	1
37	711606	SCREW, 5/16-18X.75	1
38	710141	TORSION SPRING	1
40	94309	SPACER	2
41	56150	SPACER, SLEEVE	1



NOTE: ALWAYS USE ORIGINAL EQUIPMENT PARTS. Use of service/replacement parts other than original equipment parts may void your warranty.

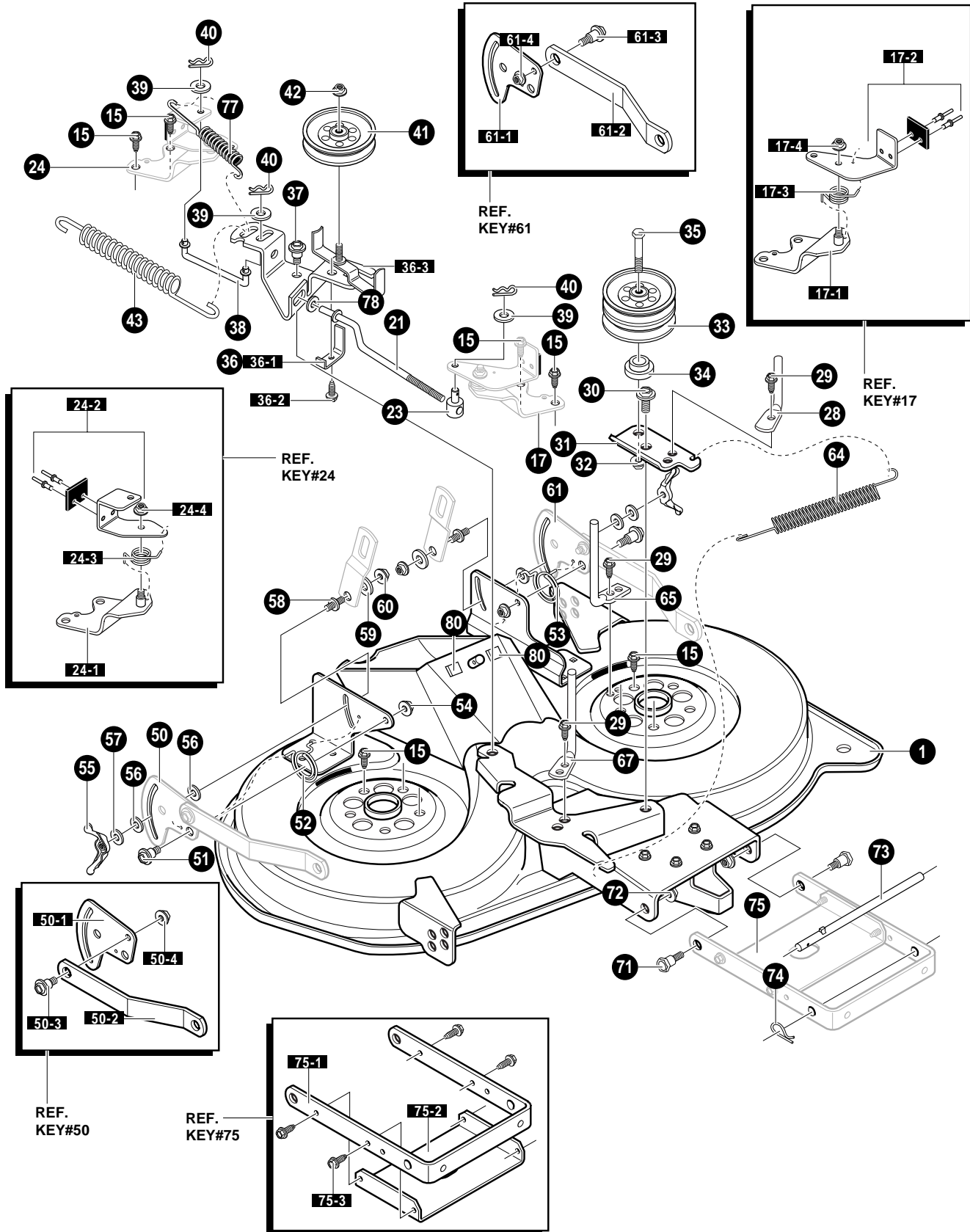
ALL UNNUMBERED ITEMS ARE INTERCHANGEABLE WITH OPPOSITE SIDE

343388A

ENGINE & CONTROL ASSEMBLY

KEY NO.	PART NO.	DESCRIPTION	QTY
1	*	ENGINE	1
2	710199	SCREW, 3/8-16X1.25	4
3	711689	DECAL, ENGINE	1
4	94655	MUFFLER, TWIN-CYLINDER	1
5	95204	TUBE, EXHAUST	1
6	711852	SCREW, (B/S #94755)	4
8	711851	B/S EXHAUST GASKET (B/S#273485)	2
18	711642	SCREW, 1/4-20X.63 HHWATAP	4
19	93077	SPACER, SLEV 1.015IDX1.77OD	1
24	95383	STACK PULLEY ASSY	1
25	120383	WASHER, REGSPTLK .459X.78X.12	1
26	710248	SCREW, 7/16-20NF 1.50	1
27	94484	FUEL TANK W/SENSON 2.8 GAL	1
28	711681	SCREW, 15TPIX. PANHTAP	4
29	95250-853	HEAT SHIELD	1
30	50118	TUBING, GAS LINE	14 IN.
32	47345	CLAMP, HOSE SCREW TYPE	2
34	92317	FUEL CAP	1
35	325547	OIL DRAIN VALVE ASSEMBLY	1
36	327422	CAP, OIL DRAIN VALVE ASM.	1
38	94501	THROTTLE CONTROL	1
39	711686	SCREW, #8-16X.50 TRCRTAPAB	2
46	711601	NUT, 1/4-20 REGHXJAM	1
50	710247	WASHER, FLAT .480X1.00X.25	1
51	95325	PLENUM, HOOD MOUNT	1
52	690043	CHOKE CONTROL	1
53	314522	CLIP, CHOKE CONTROL	1
54	711892	PUSHNUT, .250DIA	4
55	711606	SCREW, 5/16-18X.75 HHWATAP	2
56	95192	SHIELD, ANTI-DEHYDRATION DEFLEC	1
57	711592	SCREW, 1/4-20X.50 WAHTAP	2

* SEE ENGINE MANUAL



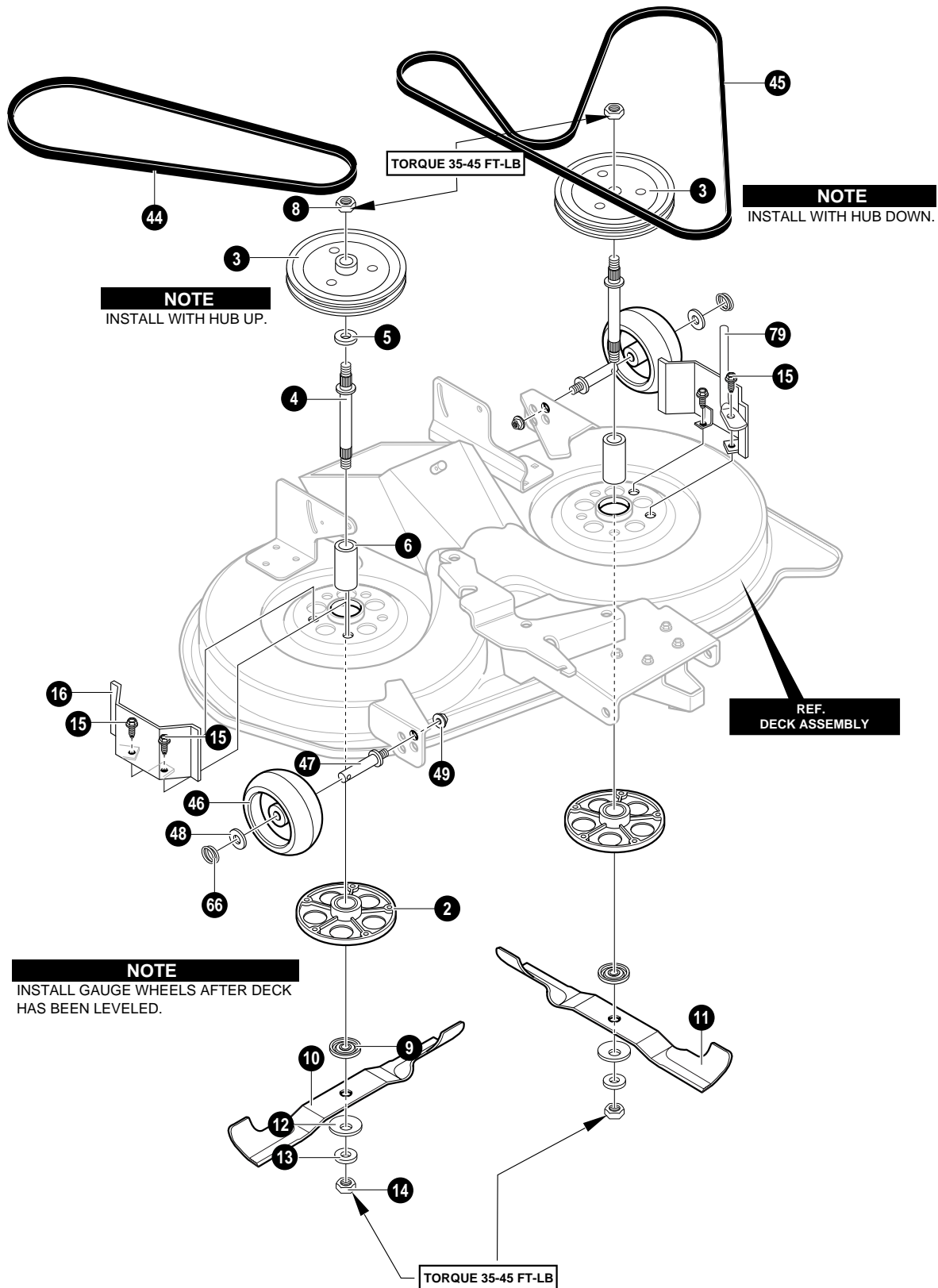
NOTE: ALWAYS USE ORIGINAL EQUIPMENT PARTS. Use of service/replacement parts other than original equipment parts may void your warranty .

ALL UNNUMBERED ITEMS ARE INTERCHANGEABLE WITH OPPOSITE SIDE

343840A

DECK ASSEMBLY

KEY NO.	PART NO.	DESCRIPTION	QTY
1	690109-853	HOUSING, 40" DECK	1
17	94665-853	BRAKE ARM ASSEMBLY LH	1
17-1	94293	BRAKE SUPPORT ASSEMBLY LH	1
17-2	94291	BRAKE ARM ASSEMBLY LH	1
17-3	710110	SPRING, TORSION	1
17-4	710205	NUT, 5/16-18	1
21	690021	LINK, BRAKE LH	1
23	711591	NUT, ADJUST	1
24	94664-853	BRAKE ARM ASSEMBLY RH	1
24-1	94294	BRAKE SUPPORT ASSEMBLY RH	1
24-2	94292	BRAKE ARM ASSEMBLY RH	1
24-3	710077	SPRING, TORSION	1
24-4	710205	NUT, 5/16-18	1
28	711912	GUIDE, BELT	1
29	711914	SCREW,5/16-18 X .50	3
30	711613	BOLT, SHOULDER	1
31	94261-853	ARM, DOUBLE IDLER	1
32	711622	NUT, 3/8-16	1
33	94279	PULLEY, IDLER DOUBLEVEE	1
34	94269	SPACER	1
35	711915	SCREW, 3/8-16X3.00	1
36	94973-853	IDLER ARM ASSY	1
36-1	94312	SPRING - GUIDE BELT	1
36-2	710264	SCREW, 1/4-20X .50	1
36-3	94298	IDLER ARM ASSEMBLY	1
37	711613	BOLT, SHOULDER	1
38	690023	LINK, BRAKE RH	1
39	711916	WASHER, FLAT	3
40	711682	PIN,HAIR	3
41	690024	PULLEY, V IDLER 4"	1
42	711622	NUT,3/8-16	1
43	710234	SPRING, EXTENSION	1
50	341593-853	ASSEMBLY, PLATE,REAR SUS.BRKT.RH	1
50-1	94128	PLATE - SUSPENSION	1
50-2	94055	SUSPENSION BRACKET REAR'	1
50-3	710095	BOLT, SHOULDER	1
50-4	710140	NUT,3/8-16	1
51	711611	BOLT, SHOULDER	2
52	710112	SPRING, TORSION RH	1
53	710113	SPRING, TORSION LH	1
54	711622	NUT,3/8-16	2
55	711600	WINGNUT, 5/16-18	2
56	94137	PAD, FRICTION	4
57	711628	WASHER	2
58	711595	PIN, HANGER	2
59	711616	WASHER, FLAT	2
60	711622	NUT, 3/8-16	2
61	341594-853	ASSEMBLY, PLATE, REAR SUS.BRKT.LH	1
61-1	94128	PLATE - SUSPENSION	1
61-2	94055	SUSPENSION BRACKET REAR	1
61-3	710095	BOLT, SHOULDER 3/8-16	1
61-4	710140	NUT,3/8-16	1
64	710233	SPRING, EXTENSION	1
65	711913	GUIDE, BELT	1
66	711764	CIRCLE PIN	2
67	690030	GUIDE, BELT	1
71	711611	BOLT, SHOULDER	2
72	711622	NUT,3/8-16	2
73	95295	ROD, HANGER	1
74	711676	PIN, HAIR	1
75	690058-853	ASSEMBLY, BRACKET & STIFFENER	1
75-1	94058	BRACKET, FRONT SUSPENSION	1
75-2	95057	STIFFENER	1
75-3	710079	SCREW, 5/16-18X.75	4
77	710658	SPRING, EXTENSION	1
78	583409	WASHER, FLAT	1
80	318197	PAD, ADHESIVE	2



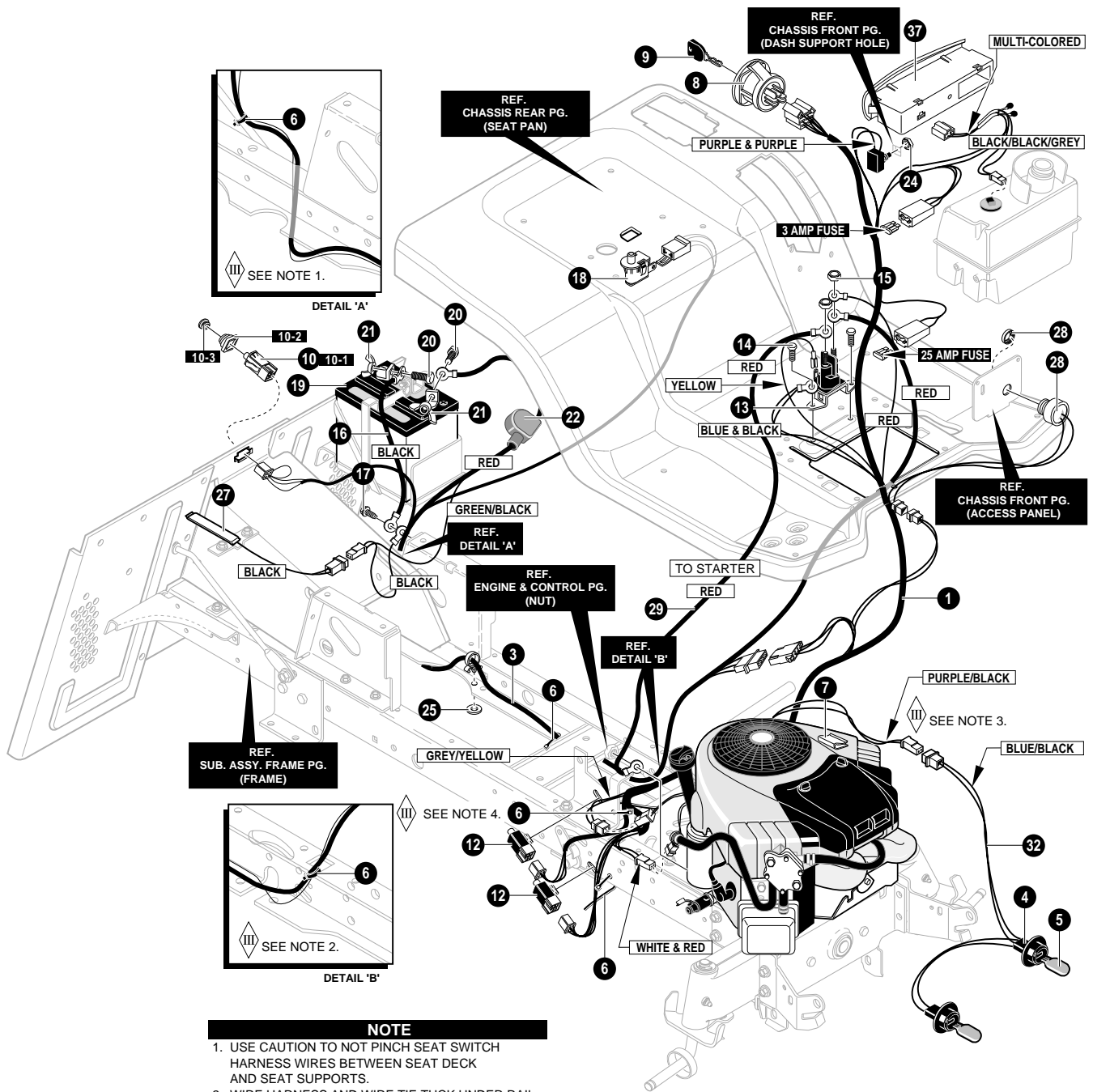
NOTE: ALWAYS USE ORIGINAL EQUIPMENT PARTS. Use of service/replacement parts other than original equipment parts may void your warranty.

ALL UNNUMBERED ITEMS ARE INTERCHANGEABLE WITH OPPOSITE SIDE

343840A

DECK ASSEMBLY

KEY NO.	PART NO.	DESCRIPTION	QTY
2	94305	ASSEMBLY, JACKSHAFT HOUSING	2
3	690020	PULLEY, DECK	2
4	91922	JACKSHAFT	2
5	710117	WASHER, FLAT	1
6	91903	SPACER, .625X.875X1.91	2
8	711910	NUT, 9/16-18	2
9	94207	ADAPTER, DECK/BLADE 40"	2
10	95096	BLADE, RH REBA HI-LIFT	1
11	95097	BLADE, LH REBA HI-LIFT	1
12	710118	WASHER, BELLVILLE	2
13	710117	WASHER, FLAT	2
14	711910	NUT, 9/16-18	2
15	711911	SCREW, 3/8-16X1.00	10
16	94288-853	COVER PULLEY	2
44	710231	BELT, V 46.5LG	1
45	690071	BELT, DECK	1
46	92683	GAUGE WHEEL	2
47	711746	BOLT, SHOULDER	2
48	711615	WASHER, FLAT	2
49	711622	NUT, 3/8-16	2
79	95280	ROD, BELT GUIDE	1



NOTE

1. USE CAUTION TO NOT PINCH SEAT SWITCH HARNESS WIRES BETWEEN SEAT DECK AND SEAT SUPPORTS.
2. WIRE HARNESS AND WIRE TIE TUCK UNDER RAIL.
3. ROUTE HEADLIGHT HARNESS BETWEEN AIR FILTER AND ENGINE COVER. TIE HEADLIGHT HARNESS TO FUEL LINE.
4. WIRE TIE PTO WIRES TO FRONT OF PTO BRACKET THROUGH SPRING MOUNTING HOLE. WIRES TO RUN VERTICAL THROUGH WIRE TIE.

ELECTRICAL ASSEMBLY

KEY NO.	PART NO.	DESCRIPTION	QTY
1	95379	WIRE HARNESS	1
3	95381	REAR HARNESS	1
4	92372	SOCKET, LAMP	2
5	780216	BULB, HEADLIGHT	2
6	57444	TIE, CABLE BLACK NYLON 5.62L	6
7	55939	WIRE CLIP, ADHESIVE	1
8	94762	SWITCH, IGNITION	1
9	327350	KEY,IGNITION	2
10	690106	ASSY., SWITCH DOUBLE	1
10-1	320082	SWTICH DOUBLE POLE	1
10-2	690074	BOOT SWITCH	1
10-3	690075	CAP, SWITCH	1
12	94136	SWITCH LIMIT	2
13	94613	SOLENOID	1
14	711619	SCREW, 1/4X.50	2
15	711632	NUT, 1/4-20 HEXNYL	2
16	95420	WIRE, GROUND	1
17	711619	SCREW,1/4X.50	1
18	94159	SWITCH, SEAT	1
19	302257	BATTERY 12V 7 PLATE	1
20	711680	BOLT,1/4-20X.63	2
21	711636	NUT, WING 1/4-20	2
22	335417	BATTERY BOOT	2
24	711376	NUT, PLASTIC THUMB 3/8-27	1
25	711666	WASHER, FLAT	1
27	95330	TAPE SWITCH	1
28	95391	BUZZER FOR BAG FULL	1
29	711579	WIRE, LEAD SOLENOID TO STARTER	1
32	340513	WIRE HARNESS, HEADLIGHT	1
37	94522	ELECTRONIC DIAGNOSTIC	1
	302031	15 AMP FUSE	1

WIRING SCHEMATIC

