

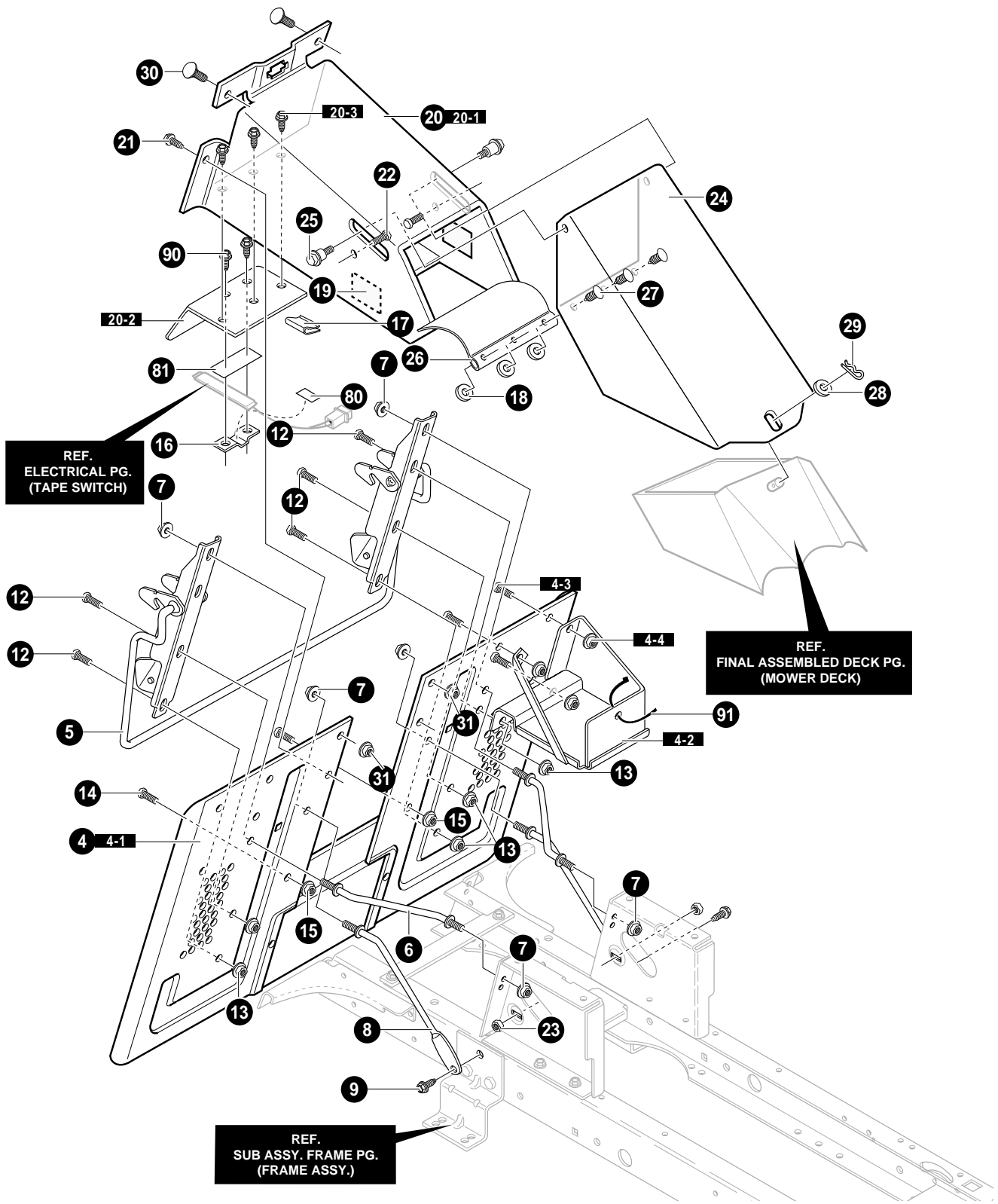
NOTE: ALWAYS USE ORIGINAL EQUIPMENT PARTS.
Use of service/replacement parts other than original
equipment parts may void your warranty.

ALL UNNUMBERED
ITEMS ARE INTERCHANGEABLE
WITH OPPOSITE SIDE

345105A

FRONT CHASSIS ASSEMBLY

KEY NO.	PART NO.	DESCRIPTION	QTY
1	MU690011-853	ASM., BUMP/GRILLE	1
2	MU711653	SCREW, 5/16-18X1.50	4
5	MU94455-848	GRILLE	1
6	MU710313	NUT, "J" TINNERMAN	3
7	MU711642	SCREW, 1/4-20X.63	3
8	MU95234	ASM., LENS & REFLECTOR	1
8-1	MU94459	LENS	1
8-2	MU94460	REFLECTOR	1
10	MU710197	SCREW, 1/4-14X.50	2
12	MU690052-848	HOOD ASM. W/STUDS	1
13	MU94458-848	PANEL SIDE, RH	1
14	MU94457-848	PANEL SIDE, LH	1
15	MU711625	BOLT, .497X.215 HSH 3/8-16	2
16	MU710067	WASHER, PLASTIC	2
17	MU690114	PIVOT BASE	2
18	MU711622	NUT, 3/8-16 HWDFLLK MACK	2
19	MU690113	CAP, PIVOT	2
20	MU94474	QUICK RELEASE-CAM	4
21	MU710314	SPRING, COMP .50ODX.5LG	4
22	MU325232	NUT, WING 1/4-20 NYLON	4
23	MU313674	SCREW, 1/4-20X1.25	4
26	MU95291-848	CONSOLE ASM.	1
26-1	MU95173	LOWER CONSOLE	1
26-2	MU94465	BRACKET, LH	1
26-3	MU94464	BRACKET, RH	1
26-4	MU710196	SCREW, 10-24X.500TRSEGI	6
27	MU711606	SCREW, 5/16-18X.75 HHWATAP	6
32	MU690110	DASH	1
33	MU711629	SCREW, 10-24X.50	2
34	MU711629	SCREW, 10-24X.50	2
35	MU94075	STEERING BRACKET	1
36	MU710197	SCREW 1/4-14X.50 PAN CR	2
40	MU94519-845	STRUT, GRILLE	2
41	MU711642	SCREW, 1/4-20X.63	2
42	MU711652	SPEED NUT	2
44	MU643129	LANYARD, HOOD	1
45	MU782585	NUT, 1/4-20 REGHEXCTRLK	1
46	MU711674	SCREW, 1/4-20X.63	2
47	MU710313	NUT, "J" TINNERMAN	2
48	MU55023	TRIM	9.50 IN.
49	MU55023	TRIM	26.80 IN.
50	MU95366-848	ACCESS PANEL	1
51	MU711629	SCREW, 10-24X.50	2
	MU712581	OWNER'S MANUAL (NOT SHOWN)	



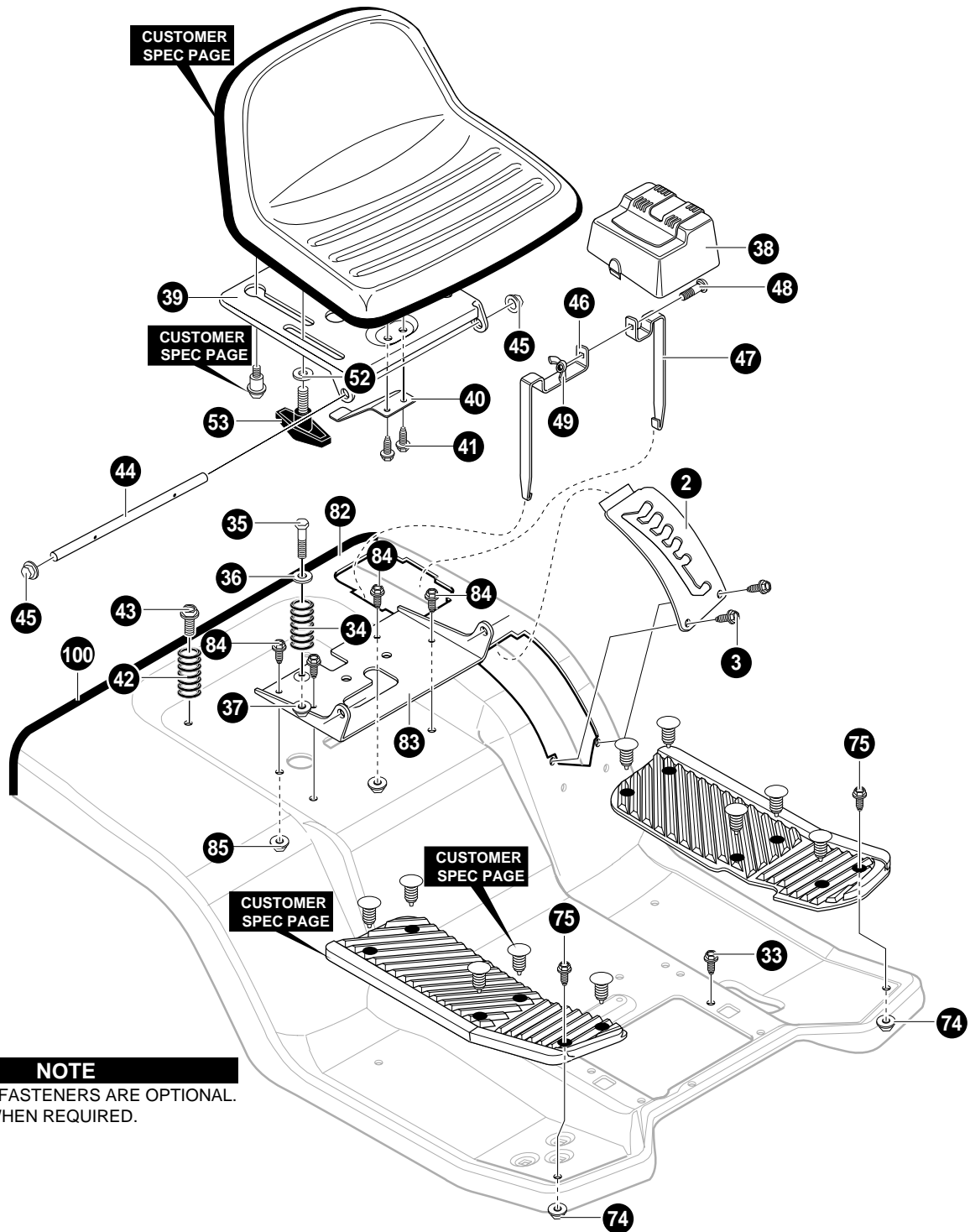
NOTE: ALWAYS USE ORIGINAL EQUIPMENT PARTS. Use of service/replacement parts other than original equipment parts may void your warranty.

ALL UNNUMBERED ITEMS ARE INTERCHANGEABLE WITH OPPOSITE SIDE

344862A

REAR CHASSIS ASSEMBLY

KEY NO.	PART NO.	DESCRIPTION	QTY
4	MU343678-853	ASSY, BACK PLATE/BATTERY	1
4-1	MU95162	ASM. BACK PLATE FLAT	1
4-2	MU94563	BATTERY TRAY ASM.	1
4-3	MU180073	SCREW, 5/16-18X.50 HHC	3
4-4	MU45174	NUT, 5/16-18 HEXWDFLLK WHIZ	3
5	MU95359-853	WELDMENT-LATCH LEVER	1
6	MU690097	ROD, BRACE	2
7	MU711906	NUT, 3/8-16 HWDFL WHIZ-LOCK	5
8	MU94231	ROD, BRACE	2
9	MU711606	SCREW, 5/16-18X.75 HHWATAP	2
12	MU711907	SCREW 5/16-18X.75 HXWDFL	5
13	MU710026	NUT, 5/16-18 HEXWDFLLK WHIZ	5
14	MU711606	SCREW 5/16-18X.75 HHWATAP	2
15	MU710026	NUT, 5/16-18 HEXWDFLLK WHIZ	2
16	MU690245	BRACKET, FLEX SWITCH MOUNTING	1
17	MU55939	WIRE CLIP, ADHESIVE	1
18	MU711666	WASHER, FLAT	3
19	MU318197	PAD, ADHESIVE 1.00X1.50X.12	2
20	MU690102-853	ASM., T/A SHIELD & UPPER CHUTE	1
20-1	MU94350	CHUTE WELD ASM. UPPER	1
20-2	MU95367	SHIELD, TRANSAXLE	1
20-3	MU711642	SCREW, 1/4-20X.63 HHWATAP	3
21	MU711606	SCREW, 5/16-18X.75 HHC	2
22	MU711688	BOLT, 5/16-18X.75 CARR	2
23	MU710026	NUT, 5/16-18 HEXWDFLLK WHIZ	2
24	MU94296-853	MIDDLE CHUTE ASSY	1
25	MU710440	BOLT, HSH	2
26	MU94264	FLAP, CHUTE	1
27	MU309235	FASTENER, RATCHET	3
28	MU711617	FLATWASHER	1
29	MU711682	PIN, HAIR .38DIAX1.64LG	1
30	MU711688	BOLT, 5/16-18X.75 CARR.	2
31	MU710026	NUT, 5/16-18 HEXWDFLLK WHIZ	2
80	MU712009	TAPE, DOUBLE SIDED FOAM 3/4" WD	0.560
81	MU712009	TAPE, DOUBLE SIDED FOAM 3/4" WD	3
90	MU711642	SCREW, 1/4-20X.63 HHWATAP	2
91	MU57444	CABLE TIE	1



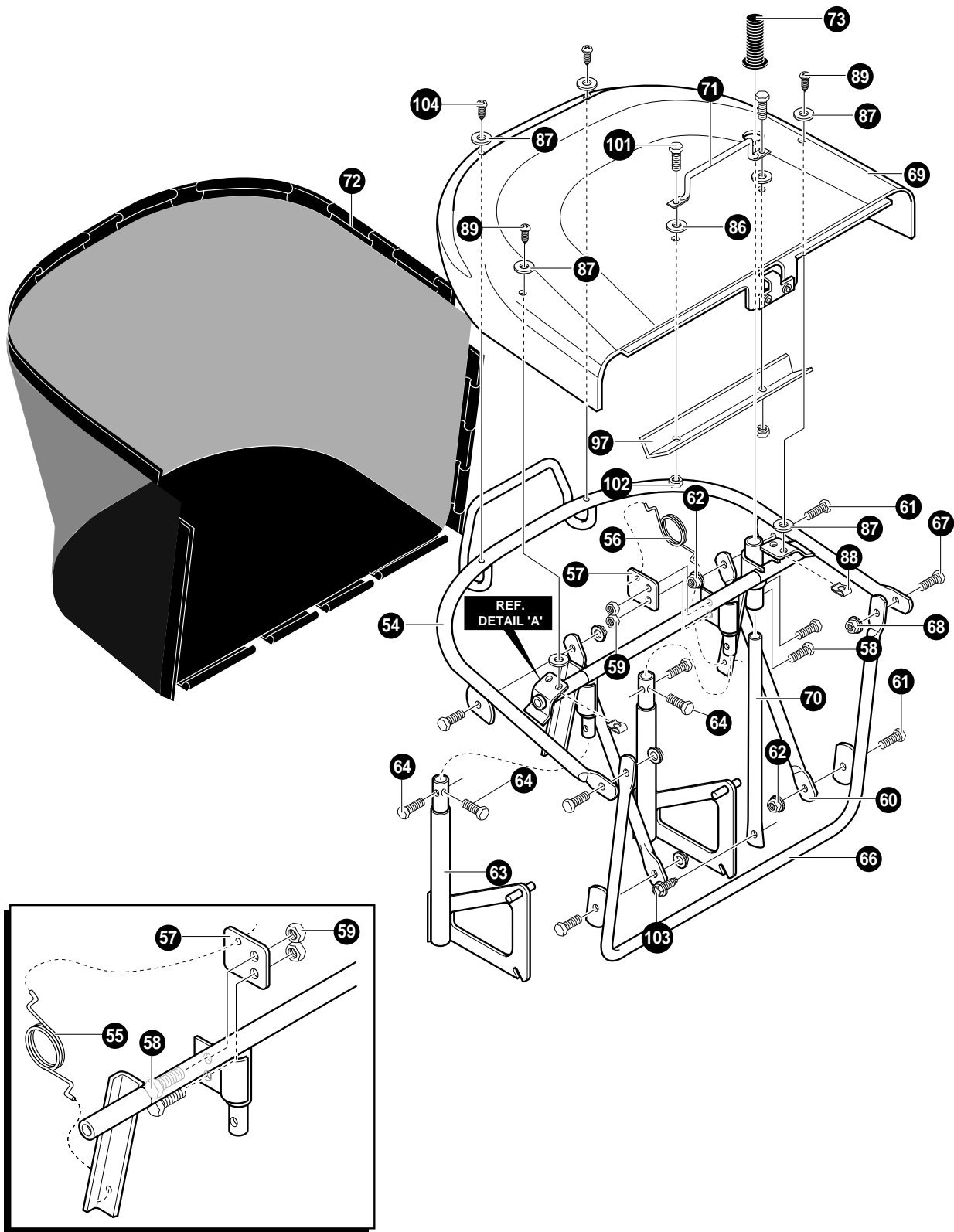
NOTE
 FOOTPAD & FASTENERS ARE OPTIONAL.
 ONLY USE WHEN REQUIRED.

NOTE: ALWAYS USE ORIGINAL EQUIPMENT PARTS.
 Use of service/replacement parts other than original
 equipment parts may void your warranty.

ALL UNNUMBERED
 ITEMS ARE INTERCHANGEABLE
 WITH OPPOSITE SIDE

REAR CHASSIS ASSEMBLY

KEY NO.	PART NO.	DESCRIPTION	QTY
2	MU95190-853	PLATE, LIFT DETENT	1
3	MU711741	SCREW, #12X.50 PHPNHTAP	2
33	MU711606	SCREW, 5/16-18X.75HHWATAP	1
34	MU710136	SPRING, COMPRESSION 4.57LGX1.17	1
35	MU711610	BOLT, SHOULDER 1/4-20	1
36	MU95293	ZINC WASHER CUP	1
37	MU302635	NUT, 1/4-20 CNTRLK	1
38	MU94200	COVER, BATTERY	1
39	MU94154-848	SUPPORT, SEAT	1
40	MU94057	SPRING-LEAF	1
41	MU711592	SCREW, 1/4-20X.50 WAHHTAP	2
42	MU710109	SPRING, COMPRESSION 2.43LG 164X30	2
43	MU711606	SCREW, 5/16-18X.75 HHWATAP	2
44	MU95294	ZINC HINGE SEAT PIVOT	1
45	MU711627	NUT, PUSH CAP .375	2
46	MU95393-853	BATTERY, BRACKET L.H.	1
47	MU95394-853	BATTERY BRACKET R.H.	1
48	MU711680	BOLT, 1/4-20X.63 CARR.	1
49	MU711636	NUT, WING 1/4-20 14X79	1
52	MU711644	WASHER, FLAT .344X.62X.06	2
53	MU711747	BOLT, WING 5/16-18X.50	2
74	MU710026	NUT, 5/16-18 HEXWDFLLK WHIZ	2
75	MU711891	BOLT, 5/16-18X.7A5 CARR.	2
82	MU94311-848	SEAT DECK HYDRO PEDAL	1
83	MU94153-848	BRACKET, PIVOT SEAT	1
84	MU711606	SCREW, 5/16-18X.75 HHWATAP	4
85	MU711634	NUT, 5/16-18 WDFLLK	2
100	MU55021	TRIM	41 IN.



DETAIL 'A'

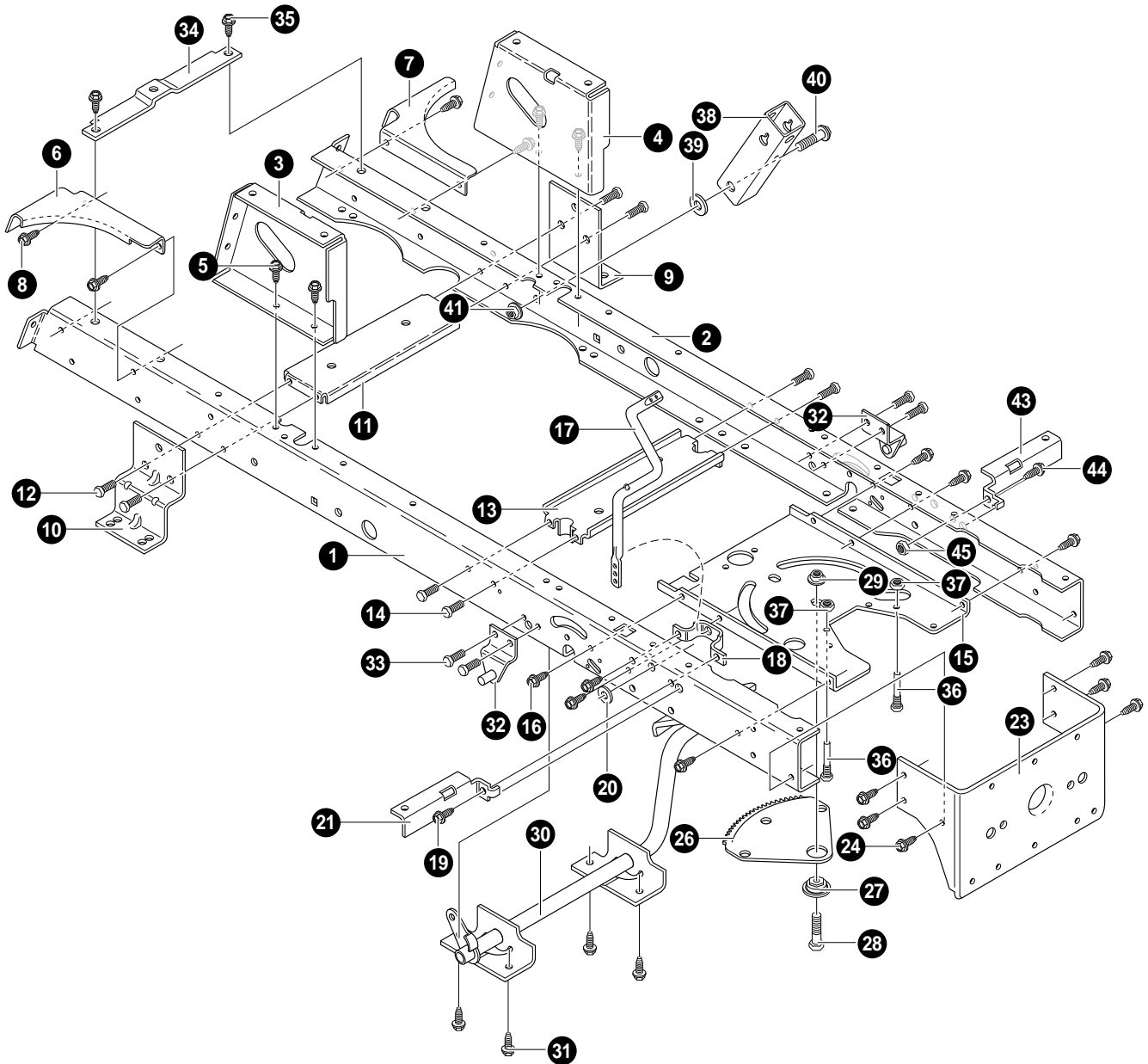
NOTE: ALWAYS USE ORIGINAL EQUIPMENT PARTS.
Use of service/replacement parts other than original
equipment parts may void your warranty.

ALL UNNUMBERED
ITEMS ARE INTERCHANGEABLE
WITH OPPOSITE SIDE

344862A

REAR CHASSIS ASSEMBLY

KEY NO.	PART NO.	DESCRIPTION	QTY
54	MU690044-853	ASM. WELD UPPER FRAME	1
55	MU690003	SPRING, TORSION RH	1
56	MU690004	SPRING, TORSION LH	1
57	MU95339-853	BRACKET, SPRING COLLECTOR	2
58	MU313686	SCREW, 1/4-20X.50 HHC	4
59	MU73826	NUT, 1/4-20 REGHEXCTRLK	4
60	MU94850-853	BRACE, FRAME COLLECTOR	2
61	MU711909	SCREW, 1/4-20X.62 HHC	4
62	MU711632	NUT, 1/4-20 HEXNYL	4
63	MU95343-853	WELD ASM., SUPPORT COLLECTOR	2
64	MU711653	SCREW, 5/16-18X1.50	4
66	MU95349-853	WELD ASM., FRONT FRAME COLLECT.	1
67	MU711909	SCREW, 1/4-20X.62 HHC	2
68	MU711632	NUT, 1/4-20 HEXNYL	2
69	MU94908-848	TOP COLLECTOR ASM.	2
70	MU690019	HANDLE, DUMP COLLECTOR	1
71	MU94855-853	HANDLE, REBA COLLECTOR	1
72	MU95389	REBA COLLECTOR BAG	1
73	MU94854	RUBBER GRIP	1
86	MU712129	WASHER, .281X1.25X.06	2
87	MU711921	WASHER, .328X1.06X.062	6
88	MU578107	NUT, 1/4-20 TINN U	2
89	MU711674	SCREW, 1/4-20X.63 PHPNHD	2
97	MU690010-853	BRACE, BAGGER	1
100	MU55023	TRIM 77.5 INCHES	22 IN.
101	MU712068	SCREW 1/4-20X1.50 PHPNHD	2
102	MU711632	NUT, 1/4-20 HEXNYL	2
103	MU711741	SCREW, #12X.50 PHPNHTAP	1
104	MU711741	SCREW, #12X.50 PHPNHTAP	2



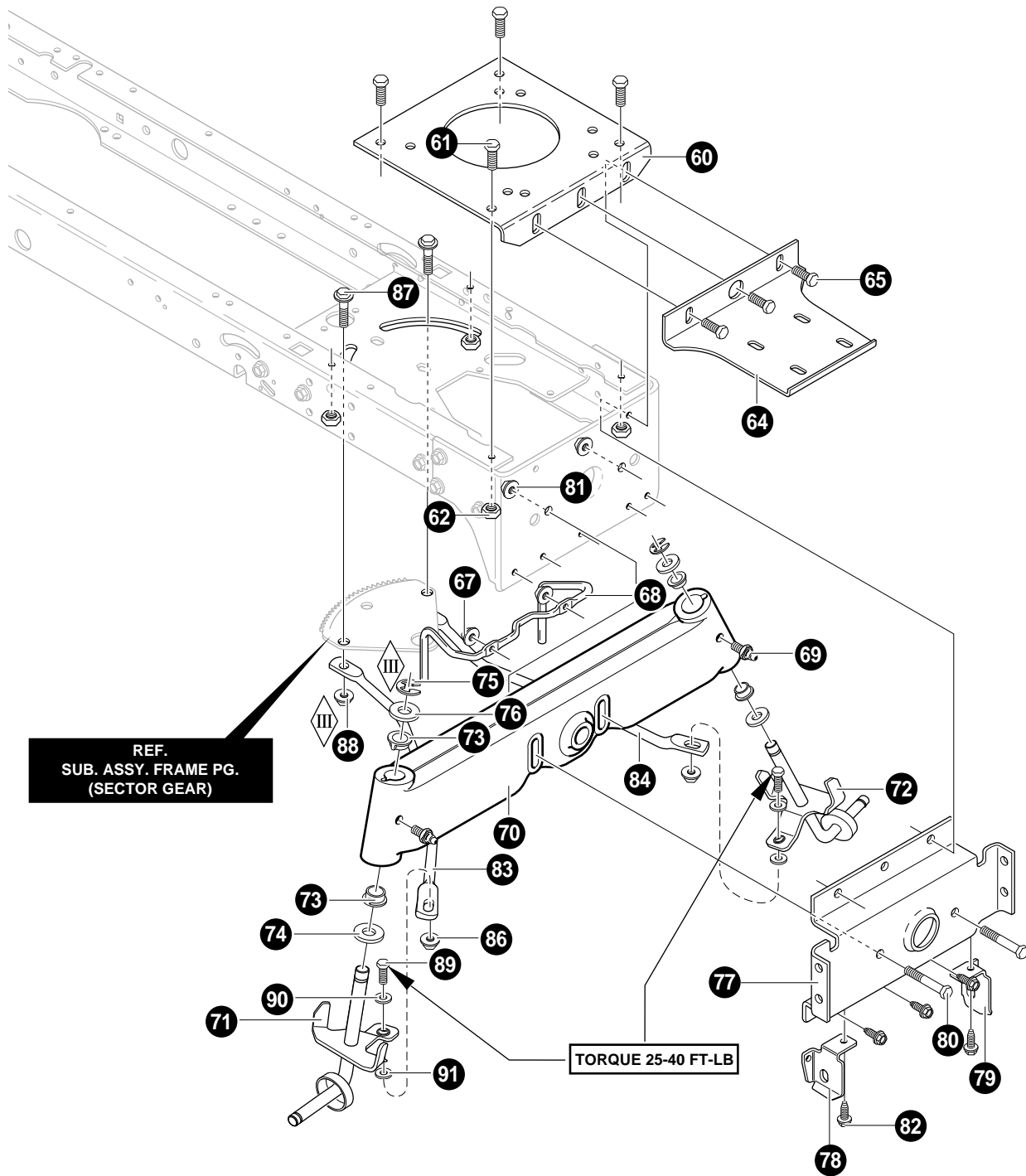
NOTE: ALWAYS USE ORIGINAL EQUIPMENT PARTS.
Use of service/replacement parts other than original
equipment parts may void your warranty.

ALL UNNUMBERED
ITEMS ARE INTERCHANGEABLE
WITH OPPOSITE SIDE

343650A

FRAME ASSEMBLY

KEY NO.	PART NO.	DESCRIPTION	QTY
1	MU94564	FRAME, RAIL RH	1
2	MU94565	FRAME, RAIL LH	1
3	MU94634	SUPPORT, SEAT RH	1
4	MU94633	SUPPORT, SEAT LH	1
5	MU710079	SCREW 5/16-18X.75 HHWATAP	4
6	MU94561	BRACE, BACKPLATE RH	1
7	MU94562	BRACE, BACKPLATE LH	1
8	MU710079	SCREW 5/16-18X.75 HHWATAP	4
9	MU94008	BRACKET, TRANSAXLE	1
10	MU94234	BRACKET T/A RH-VST LH MST	1
11	MU94236	ASM., IDLER MOUNT, REAR	1
12	MU710079	SCREW, 5/16-18X.75 HHWATAP	4
13	MU94237	ASM. IDLER MOUNT, FRONT	1
14	MU710079	SCREW, 5/16-18X.75 HHWATAP	4
15	MU690504	PLATE, STEERING MOUNTING	1
16	MU710079	SCREW, 5/16-18X.75 HHWATAP	6
17	MU94019	CRANK, PTO	1
18	MU94005	BRACKET, BELL CRANK	1
19	MU710079	SCREW, 5/16-18X.75 HHWATAP	2
20	MU120395	WASHER, FLAT .469X.92X.065	1
21	MU690035	BRACKET-SEAT DECK R.H.	1
23	MU94013	BRACKET, HANGER REAR	1
24	MU710079	SCREW, 5/16-18X.75HHWATAP	6
26	MU94121	GEAR, SECTOR	1
27	MU94123	BEARING, SECTOR GEAR	1
28	MU710312	SCREW, 5/16-18X1.00	1
29	MU710105	NUT, 5/16-18 HEXKEPS 15X113	1
30	MU690033	ASM., CLUTCH/BRAKE PEDAL	1
31	MU710079	SCREW, 5/16-18X.75 HHWATAP	4
32	MU94285	BRACKET, SUSPENSIONASM.	2
33	MU710079	SCREW, 5/16-18X.75 HHWATAP	4
34	MU94566	BRACE, RAIL	1
35	MU710079	SCREW, 5/16-18X.75 HHWATAP	2
36	MU93349	ZINC SCREW GUIDE	2
37	MU710204	NUT, 5/16-18 HEXWDFLLK WHIZ	2
38	MU94015	BRACKET, PIVOT	1
39	MU845	WASHER, FLAT .390X1.25X.119	1
40	MU710000	BOLT, .562X1.563 HSH 3/8-16	1
41	MU710140	NUT, 3/8-16 HWDFLLK MACK 15X84	1
43	MU690036	BRACKET -SEAT DECK LH	1
44	MU710079	SCREW, 5/16-18X.75 HHWATAP	1
45	MU710204	NUT, 5/16-18 HEXWDFLLK WHIZ	1



REF.
SUB. ASSY. FRAME PG.
(SECTOR GEAR)

TORQUE 25-40 FT-LB

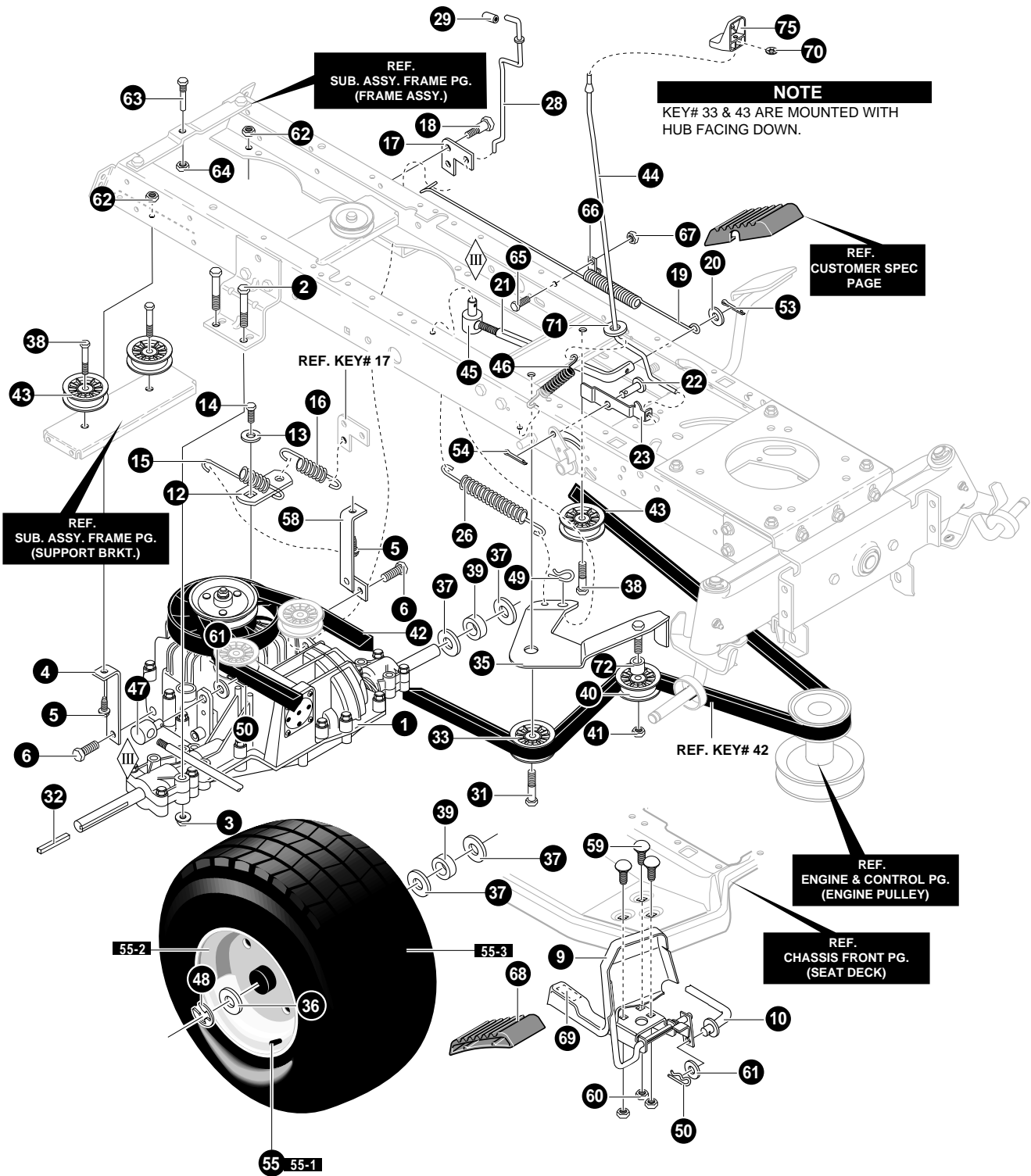
NOTE: ALWAYS USE ORIGINAL EQUIPMENT PARTS.
Use of service/replacement parts other than original
equipment parts may void your warranty.

ALL UNNUMBERED
ITEMS ARE INTERCHANGEABLE
WITH OPPOSITE SIDE

343650A

FRAME ASSEMBLY

KEY NO.	PART NO.	DESCRIPTION	QTY
60	MU94006	ENGINE PLATE	1
61	MU710079	SCREW, 5/16-18X.75 HHWATAP	4
62	MU710205	NUT, 5/16-18 WDFLLK 15X88	4
64	MU94307	BRACKET, MUFFLER	1
65	MU710079	SCREW, 5/16-185HHWATAP	3
67	MU45174	NUT, 5/16-18 HEXWDFKLLK WHIZ	2
68	MU94310	GUIDE-STACK PULLEY BELT	1
69	MU706	ZERK, GREASE FITTING	2
70	MU95405	AXLE, CAST MACHINED REBA	1
71	MU95182	SPINDLE, LONG RH	1
72	MU95183	SPINDLE, LONG LH	1
73	MU92527	BEARING, SPINDLE	4
74	MU710129	WASHER, .766IDX1.62ID	2
75	MU710103	E-RING .574IDX.050/.750SH 11X3	2
76	MU710088	WASHER, FLAT .765X1.81X.059	2
77	MU94007	HANGER, AXLE	1
78	MU690199	HANGER, DECK RH	1
79	MU690198	HANGER, DECK LH	1
80	MU180113	SCREW, 5/16-18X3.00	2
81	MU710205	NUT, 5/16-18 WDFLLK 15X88	2
82	MU710079	SCREW, 5/16-18X.75 HHWATAP	5
83	MU95329	DRAG LINK LH	1
84	MU95328	DRAG LINK RH	1
86	MU710140	NUT, 3/8-16 HWDFLLK MACK 15X84	2
87	MU710440	SHOULDER BOLT 9X57	2
88	MU710140	NUT, 3/8-16 HWDFLLK MACK 15X84	2
89	MU710082	SCREW, 3/8-16X1.5	2
90	MU710083	WASHER FLAT .391X1.00X.083	2
91	MU710142	WASHER FLAT .406X.81X16GA	2



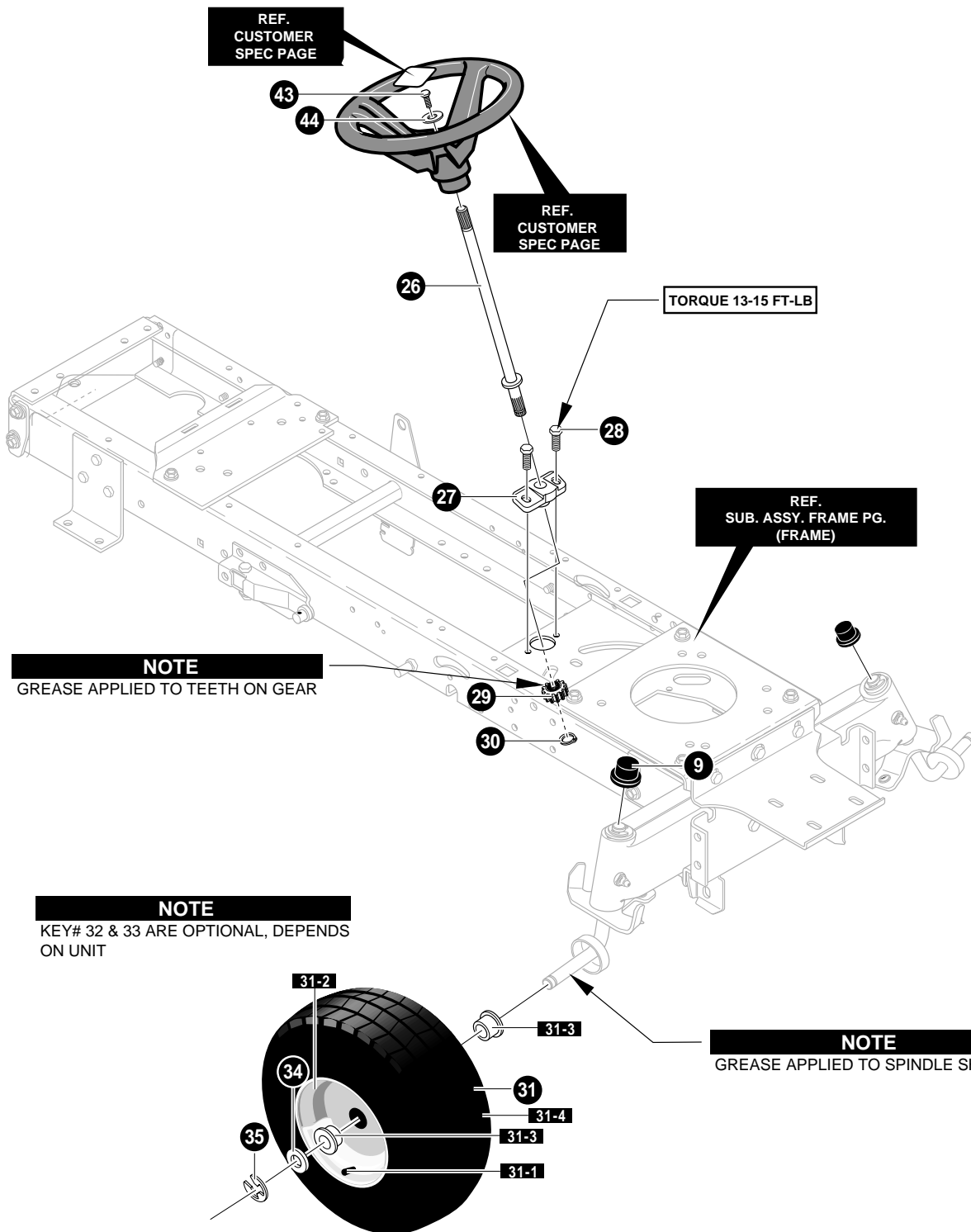
NOTE: ALWAYS USE ORIGINAL EQUIPMENT PARTS. Use of service/replacement parts other than original equipment parts may void your warranty.

ALL UNNUMBERED ITEMS ARE INTERCHANGEABLE WITH OPPOSITE SIDE

MOTION DRIVE ASSEMBLY

KEY NO.	PART NO.	DESCRIPTION	QTY
1	*	PEERLESS HYDRO VST205-025BM	1
2	MU711669	SCREW, 5/16-18X2.50	4
3	MU711634	NUT, 5/16-18 WDFLLK	4
4	MU94224-853	BRACKET, STABILIZER	1
5	MU711893	SCREW, 5/16-18X1.0	2
6	MU710268	SCREW, 5/16-18X.75 WAHHTAP	2
9	MU94422-853	ASSEMBLY, PEDAL HYDRO	1
10	MU690018	ROD, FOOT CONTROL	1
12	MU323212	BRACKET, SHIFT	1
13	MU711895	WASHER, .750X.250 SP-TRANSAXLE	1
14	MU710345	SCREW, 1/4-28X.75	1
15	MU94622	SPRING, TRANSAXLE DISCONNECT	1
16	MU326780	SPRING, TENSION	1
17	MU94621-853	BRACKET, DISCONNECT LEVER	1
18	MU711896	BOLT, .437X.136 HSH 5/16-18	1
19	MU95424	SPRING, BRAKE	1
20	MU711921	WASHER, FLAT .328X1.06X.062	1
21	MU690016	ROD, CLUTCH	1
22	MU711903	PIN, CLEVIS	1
23	MU690048	LATCH, PARKING BRAKE	1
24	MU95220	PAD, CLUTCH/BRAKE	1
26	MU711522	SPRING, TENSION	1
28	MU690015	ROD, DISCONNECT CONTROL	1
29	MU690032	GRIP, HYDRO DISCONNECT	1
31	MU711905	SCREW, 3/8-16X1.25	1
32	MU52928	KEY, SQUARE	2
33	MU95531	PULLEY, IDLER	1
35	MU94238-853	ASSY, IDLER ARM TRACTION	1
36	MU711758	FLATWASHER, .765X1.81X.059	2
37	MU711904	WASHER, FLAT .755ID	4
38	MU711905	SCREW, 3/8-16X1.25	3
39	MU95274	SPACER .87X1.78	2
40	MU690409	PULLEY, IDLER 2.75 DIA	1
41	MU711920	NUT, 3/8-16 HWDFLLK MACK	1
42	MU94609	BELT, V 4L 112.75	1
43	MU95531	PULLEY, IDLER V4L 3.00X.710	3
44	MU95108	ZINC ROD PARKING BRAKE	1
45	MU711898	NUT, 5/16-18X3/8 ADJUSTING	1
46	MU711560	SPRING, TENSION	1
47	MU711594	ADJUSTING NUT 1/2-13	1
48	MU710103	E-RING .574IDX.050X.75	2
49	MU711659	PIN, HAIR .072DIAX1.13LG	1
50	MU711676	PIN, HAIR	2
53	MU71081	PIN, COTTER .094 DIAX .75	1
54	MU71081	PIN, COTTER .094 DIAX .75	1
55	MU692511	TIRE & RIM	2
55-1	MU338512	VALVE STEM	1
55-2	MU338524	RIM, CARL	1
55-3	MU338525	TIRE, 20X8X8	1
56	MU94618	HUBCAP, AXLE SHAFT	2
58	MU94225-853	STABILIZER BRACKET RH	1
59	MU711688	BOLT, 5/16-18X.75 CARR.	3
60	MU710026	NUT, 5/16-18 HEXWDFLLK WHIZ	3
61	MU711894	WASHER, FLAT .515X.88X.064	2
62	MU710026	NUT, 5/16-18HEXWDFLLK WHIZ	2
63	MU711745	ZINC SCREW GUIDE 5/16-18	1
64	MU710026	NUT, 5/16-18 HEXWDFLLK WHIZ	1
65	MU313686	SCREW, 1/4-20X.50	1
66	MU711742	RETAINER, .31IDX.62X.03 WIRE	1
67	MU780285	NUT, 1/4-20 WDFLWHIZ-LK	1
68	MU94798	PAD, SPEED CONTROL PEDAL	1
69	MU93249	PAD, TOE SANDPAPER	1
70	MU711691	PUSHNUT, .240ID DIA. STUD	1
71	MU71067	WASHER, FLAT .286X.63X.065	1
72	MU690369	SPACER, 1/2 TO 17MM	1
75	MU95315	KNOB, PARKING BRAKE	1

* CONTACT YOUR NEAREST TRANSAXLE DEALER FOR PARTS AND SERVICE.



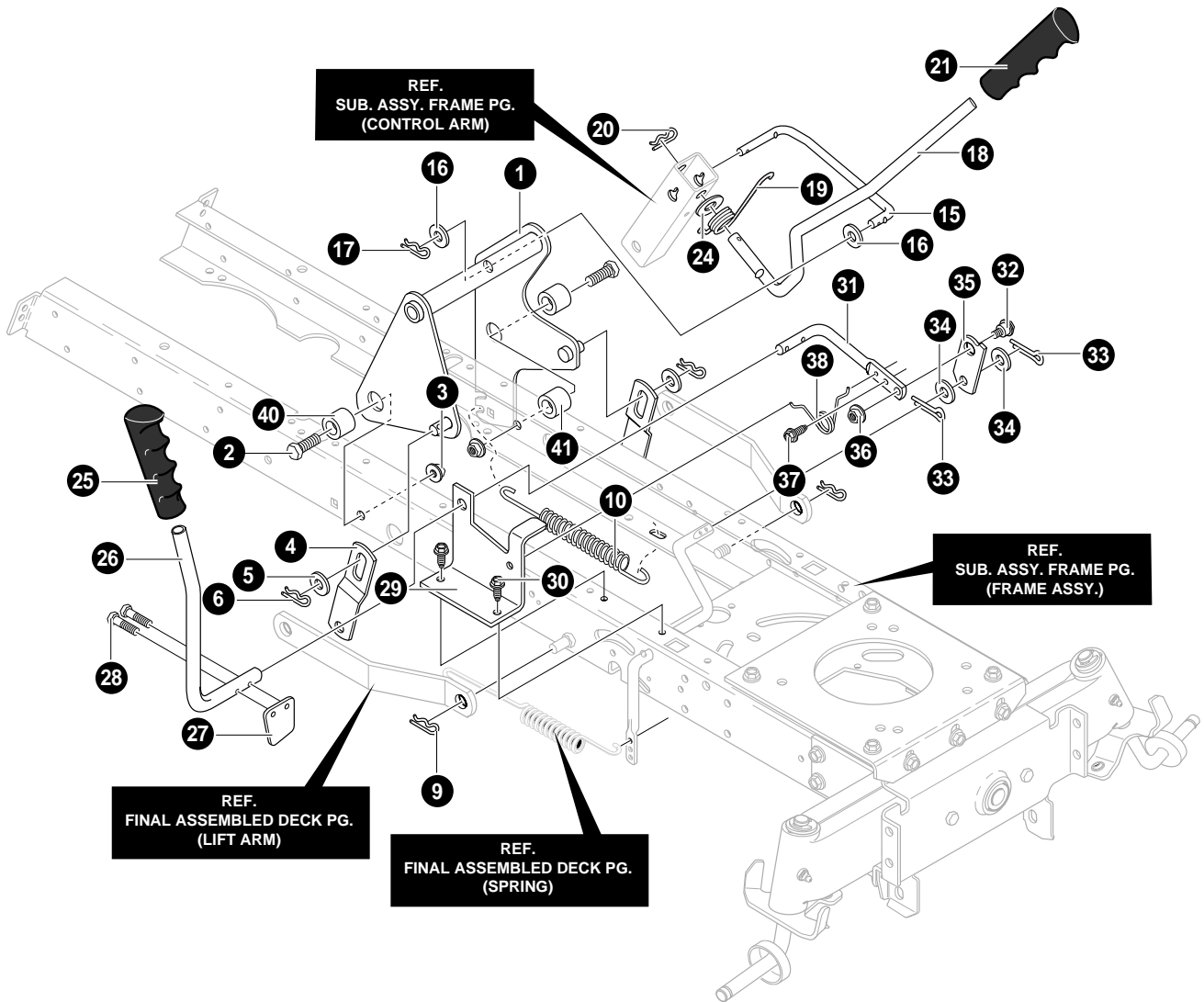
NOTE: ALWAYS USE ORIGINAL EQUIPMENT PARTS. Use of service/replacement parts other than original equipment parts may void your warranty .

ALL UNNUMBERED ITEMS ARE INTERCHANGEABLE WITH OPPOSITE SIDE

344861A

STEERING ASSEMBLY

KEY NO.	PART NO.	DESCRIPTION	QTY
9	MU94618	DUST HUB CAP	2
26	MU94520	SHAFT, STEERING	1
27	MU94124	BEARING-LOWER	1
28	MU711606	SCREW, 5/16-18X.75	2
29	MU94122	GEAR PINNION	1
30	MU710102	RING, RET E.	1
31	MU692641	TIRE&RIM, PU 15X6.0-6	2
31-1	MU338512	VALVE STEM	1
31-2	MU338517	RIM	1
31-3	MU338513	BEARING	1
31-4	MU338514	TIRE, 15X6X6	1
34	MU711758	WASHER, FLAT .765X1.81X.059	2
35	MU710103	E-RING	2
43	MU711719	SCREW, 1/4-20X.75 HHC	1
44	MU711663	WASHER, FLAT	1



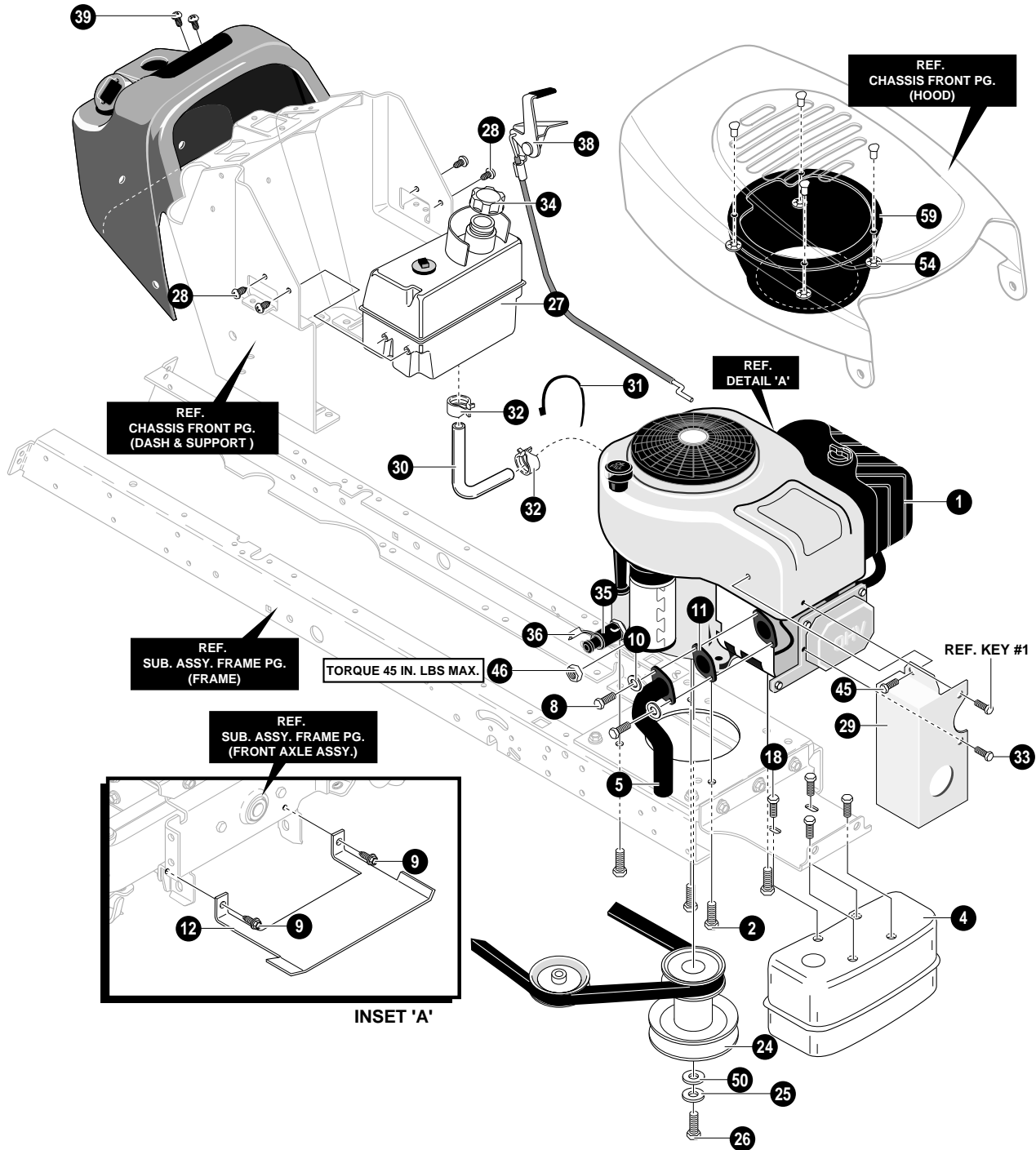
NOTE: ALWAYS USE ORIGINAL EQUIPMENT PARTS.
Use of service/replacement parts other than original equipment parts may void your warranty.

ALL UNNUMBERED
ITEMS ARE INTERCHANGEABLE
WITH OPPOSITE SIDE

344419A

MOWER SUSPENSION ASSEMBLY

KEY NO.	PART NO.	DESCRIPTION	QTY
1	MU95233-853	ASSEMBLY, LIFT ARM	1
2	MU711917	SCREW, 1/2-13X1.50	2
3	MU711918	NUT, 1/2-13	2
4	MU94262-853	BRACKET, LIFT LINK	2
5	MU711617	WASHER, FLAT	2
6	MU711676	PIN, HAIR	2
9	MU711676	PIN, HAIR	2
10	MU710235	SPRING, EXTN	1
15	MU711981	LINK - LIFT HANDLE	1
16	MU711617	WASHER, FLAT	2
17	MU711676	PIN, HAIR	1
18	MU690532	HANDLE, LIFT	1
19	MU710111	TORSION SPRING	1
20	MU711676	PIN, HAIR	1
21	MU94497	GRIP, LIFT	1
24	MU711616	WASHER, FLAT	1
25	MU94496	HANDLE, PTO	1
26	MU690126	PTO LEVER	1
27	MU95284	ZINC PADDLE, SWITCH	1
28	MU711621	SCREW, THREAD FORM	2
29	MU94018-853	BRACKET, PTO	1
30	MU780055	SCREW, 5/16-18X.50	2
31	MU95283	ZINC LEVER, PTO	1
32	MU711613	BOLT, .50X.75 HSSH 3/8-16	1
33	MU711659	PIN, HAIR	2
34	MU711615	WASHER, FLAT	2
35	MU95282	ZINC LINK PTO	1
36	MU711622	NUT, 3/8-16	1
37	MU711606	SCREW, 5/16-18X.75	1
38	MU710141	TORSION SPRING	1
40	MU94309	SPACER	2
41	MU56150	SPACER, SLEEVE	1



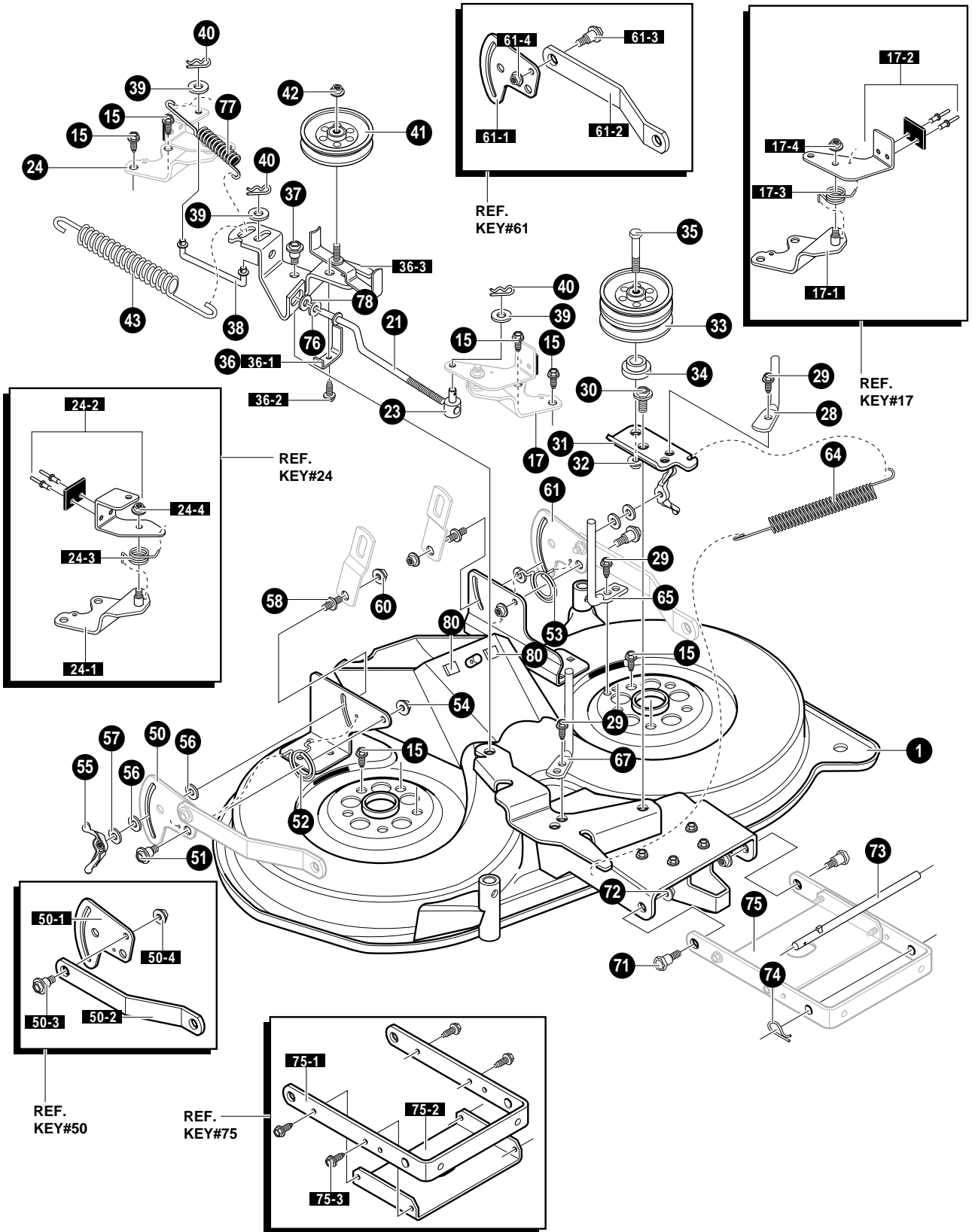
NOTE: ALWAYS USE ORIGINAL EQUIPMENT PARTS. Use of service/replacement parts other than original equipment parts may void your warranty.

ALL UNNUMBERED ITEMS ARE INTERCHANGEABLE WITH OPPOSITE SIDE

ENGINE & CONTROL ASSEMBLY

KEY NO.	PART NO.	DESCRIPTION	QTY
1	*	ENGINE	1
2	MU710199	SCREW, 3/8-16X1.25	4
4	MU94654	MUFFLER, SINGLE-CYLINDER	1
5	MU94657	TUBE, EXHAUST	1
8	MU313676	SCREW, 5/16-18 X .75	2
9	MU711606	SCREW, 5/16-18 X .75	2
10	MU313679	WASHER, SPLITLOCK	2
11	MU91309	MUFFLER GASKET	2
12	MU95192	SHIELD, ANTI-DEHYDRATION DEFLEC	1
18	MU711642	SCREW, 1/4-20X.63 HHWATAP	4
24	MU690456	STACK PULLEY ASSY	1
25	MU120383	WASHER, REGSPTLK .459X.78X.12	1
26	MU710248	SCREW, 7/16-20NF 1.50	1
27	MU94484	FUEL TANK W/SENSON 2.8 GAL	1
28	MU711681	SCREW, 15TPIX. PANHTAP	4
29	MU333772-853	HEAT SHIELD	1
30	MU41007	TUBING, GAS LINE	16 IN.
31	MU57444	CABLE TIE	1
32	MU336890	CLAMP, HOSE SCREW TYPE	2
33	MU711592	SCREW, 1/4-20X.50 WAHHTAP	2
34	MU92317	FUEL CAP	1
35	MU325547	OIL DRAIN VALVE ASSEMBLY	1
36	MU327422	CAP, OIL DRAIN VALVE ASM.	1
38	MU95263	THROTTLE CONTROL	1
39	MU711686	SCREW, #8-16X.50 TRCRTAPAB	2
45	MU711593	SCREW, 10-16 X .50	1
46	MU711601	NUT, 1/4-20 REGHXJAM	1
50	MU710247	WASHER, FLAT .480X1.00X.25	1
54	MU711677	PUSHNUT	4
59	MU95324	PLENUM	1

* SEE ENGINE MANUAL



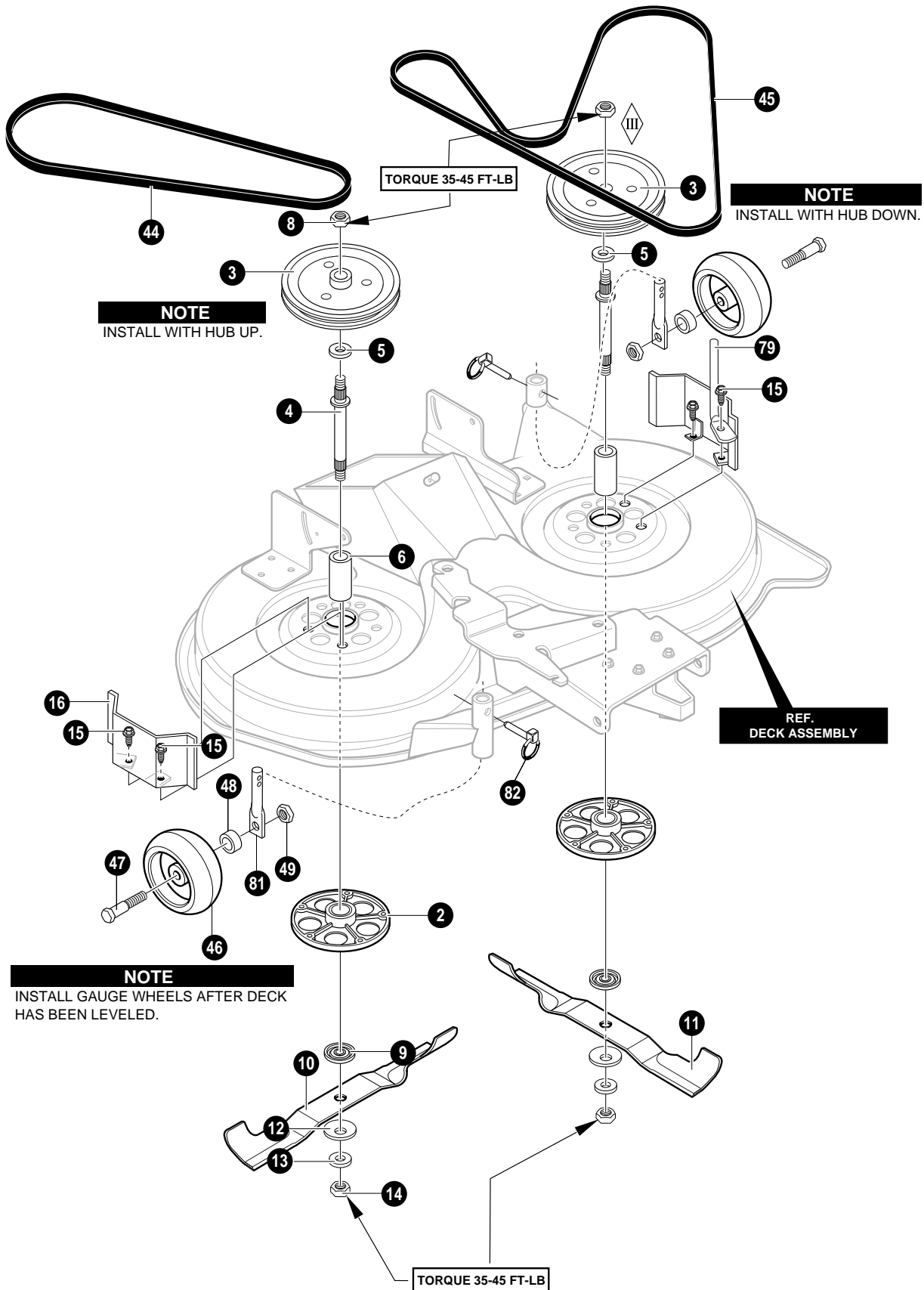
NOTE: ALWAYS USE ORIGINAL EQUIPMENT PARTS. Use of service/replacement parts other than original equipment parts may void your warranty .

ALL UNNUMBERED ITEMS ARE INTERCHANGEABLE WITH OPPOSITE SIDE

344274D

DECK ASSEMBLY

KEY NO.	PART NO.	DESCRIPTION	QTY
1	MU690156-853	HOUSING, 40" DECK	1
17	MU94665-853	BRAKE ARM ASSEMBLY LH	1
17-1	MU94293	BRAKE SUPPORT ASSEMBLY LH	1
17-2	MU94291	BRAKE ARM ASSEMBLY LH	1
17-3	MU710110	SPRING, TORSION	1
17-4	MU710205	NUT, 5/16-18	1
21	MU690021	LINK, BRAKE LH	1
23	MU711591	NUT, ADJUST	1
24	MU94664-853	BRAKE ARM ASSEMBLY RH	1
24-1	MU94294	BRAKE SUPPORT ASSEMBLY RH	1
24-2	MU94292	BRAKE ARM ASSEMBLY RH	1
24-3	MU710077	SPRING, TORSION	1
24-4	MU710205	NUT, 5/16-18	1
28	MU711912	GUIDE, BELT	1
29	MU711914	SCREW,5/16-18 X .50	3
30	MU711613	BOLT, SHOULDER	1
31	MU94261-853	ARM, DOUBLE IDLER	1
32	MU711622	NUT, 3/8-16	1
33	MU94279	PULLEY,IDLER DOUBLEVEE	1
34	MU94269	SPACER	1
35	MU711915	SCREW, 3/8-16X3.00	1
36	MU94973-853	IDLER ARM ASSY	1
36-1	MU94312	SPRING - GUIDE BELT	1
36-2	MU710264	SCREW, 1/4-20X .50	1
36-3	MU94298	IDLER ARM ASSEMBLY	1
37	MU711613	BOLT, SHOULDER	1
38	MU690023	LINK, BRAKE RH	1
39	MU712480	WASHER, FLAT	3
40	MU711682	PIN,HAIR	3
41	MU690024	PULLEY, V IDLER 4"	1
42	MU711622	NUT ,3/8-16	1
43	MU710234	SPRING, EXTENSION	1
50	MU690158-853	ASSEMBLY, PLATE,REAR SUS.BRKT.RH	1
50-1	MU94128	PLATE - SUSPENSION	1
50-2	MU94055	SUSPENSION BRACKET REAR'	1
50-3	MU710095	BOLT, SHOULDER	1
50-4	MU710140	NUT, 3/8-16	1
51	MU711611	BOLT, SHOULDER	2
52	MU710112	SPRING, TORSION RH	1
53	MU710113	SPRING, TORSION LH	1
54	MU711622	NUT, 3/8-16	2
55	MU711600	WINGNUT, 5/16-18	2
56	MU94137	PAD, FRICTION	4
57	MU711628	WASHER	2
58	MU711595	PIN, HANGER	2
60	MU711622	NUT, 3/8-16	2
61	MU690159-853	ASSEMBLY, PLATE, REAR SUS.BRKT.LH	1
61-1	MU94128	PLATE - SUSPENSION	1
61-2	MU94055	SUSPENSION BRACKET REAR	1
61-3	MU710095	BOLT, SHOULDER 3/8-16	1
61-4	MU710140	NUT,3/8-16	1
64	MU710233	SPRING, EXTENSION	1
65	MU711913	GUIDE, BELT	1
67	MU690030	GUIDE, BELT	1
71	MU711611	BOLT, SHOULDER	2
72	MU711622	NUT,3/8-16	2
73	MU95295	ROD, HANGER	1
74	MU711676	PIN, HAIR	1
75	MU690058-853	ASSEMBLY, BRACKET & STIFFENER	1
75-1	MU94058	BRACKET, FRONT SUSPENSION	1
75-2	MU95057	STIFFENER	1
75-3	MU710079	SCREW, 5/16-18X.75	4
76	MU583409	FLATWASHER	1
77	MU710658	SPRING, EXTENSION	1
78	MU712480	WASHER, FLAT	1
80	MU318197	PAD, ADHESIVE	2



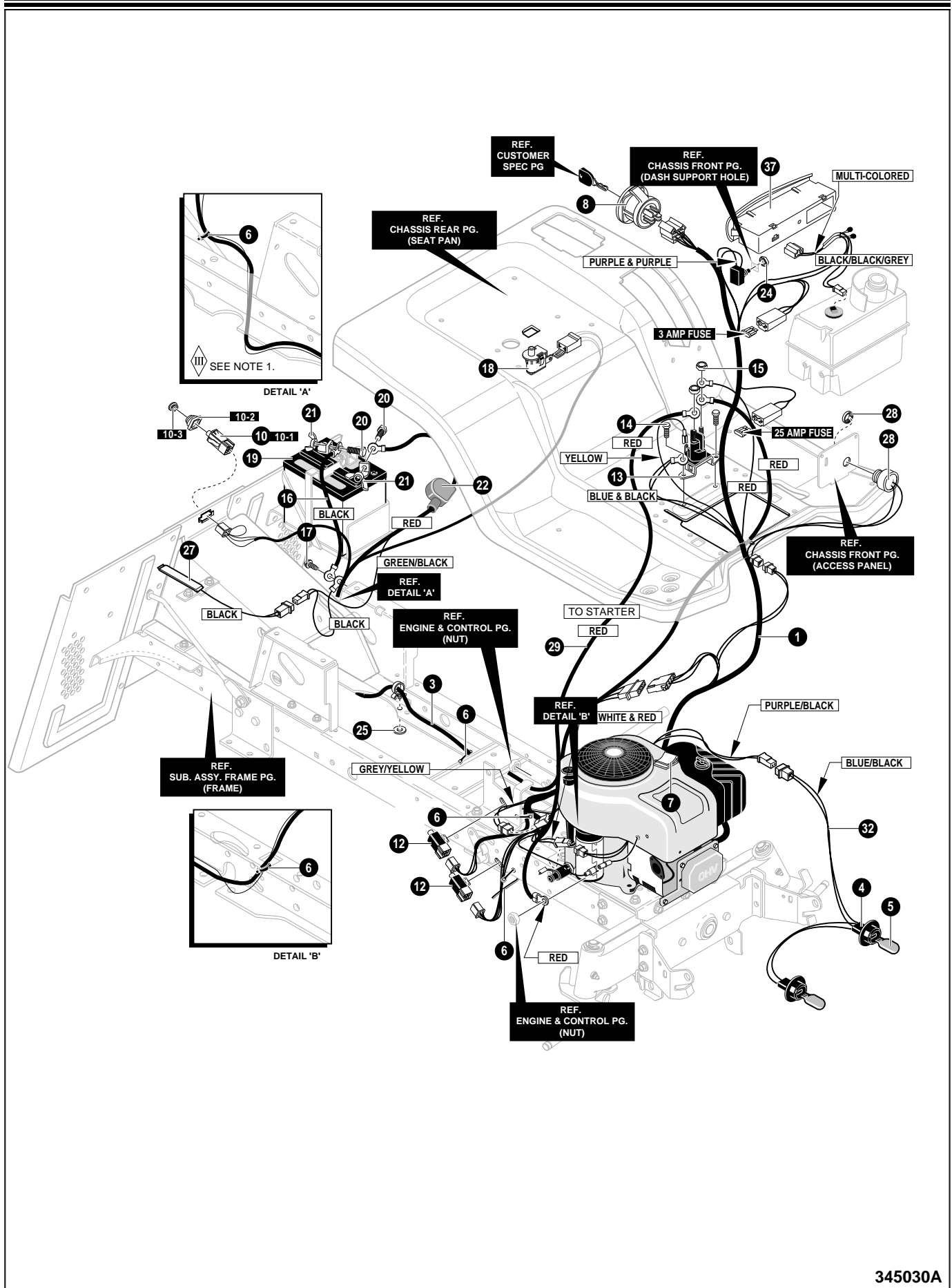
NOTE: ALWAYS USE ORIGINAL EQUIPMENT PARTS. Use of service/replacement parts other than original equipment parts may void your warranty .

ALL UNNUMBERED ITEMS ARE INTERCHANGEABLE WITH OPPOSITE SIDE

344274D

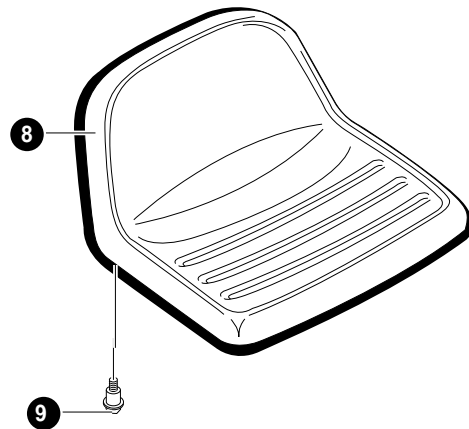
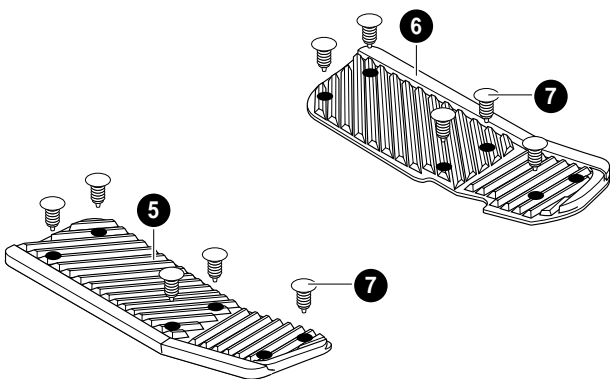
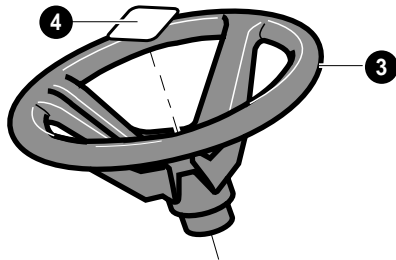
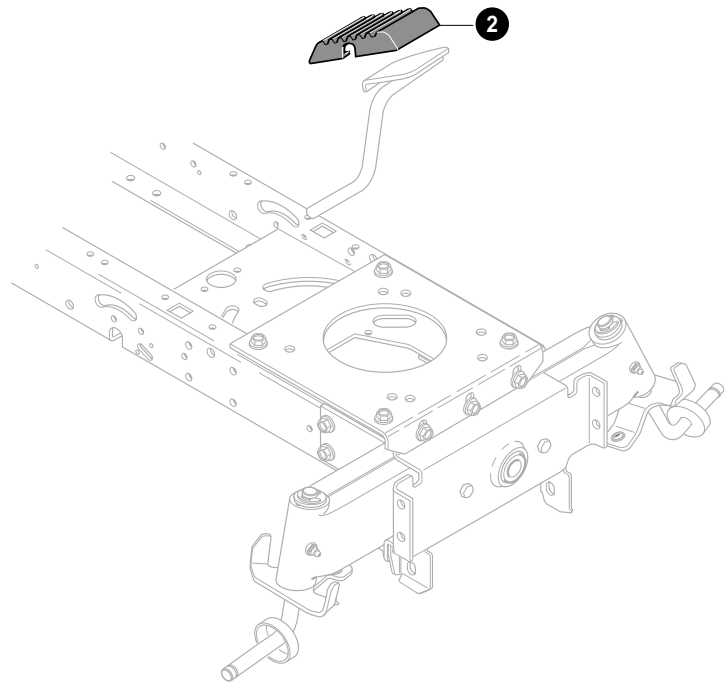
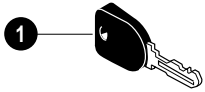
DECK ASSEMBLY

KEY NO.	PART NO.	DESCRIPTION	QTY
2	MU94305	ASSEMBLY, JACKSHAFT HOUSING	2
3	MU690020	PULLEY, DECK	2
4	MU91922	JACKSHAFT	2
5	MU710117	WASHER, FLAT	1
6	MU91903	SPACER, .625X.875X1.91	2
8	MU711910	NUT, 9/16-18	2
9	MU94207	ADAPTER, DECK/BLADE 40"	2
10	MU690499	BLADE, LH	1
11	MU690500	BLADE, RH	1
12	MU710118	WASHER, BELLVILLE	2
13	MU710117	WASHER, FLAT	2
14	MU711910	NUT, 9/16-18	2
15	MU711911	SCREW, 3/8-16X1.00	10
16	MU94288-853	COVER PULLEY	2
44	MU710231	BELT, V 46.5LG	1
45	MU690071	BELT, DECK	1
46	MU92265	GAUGE WHEEL	2
47	MU711657	BOLT, SHOULDER	2
48	MU95188	SPACER, SLV	2
49	MU590	NUT, 3/8-16	2
79	MU95280	ROD, BELT GUIDE	1
81	MU95187-853	ROD, GAGE SHORT	2
82	MU711797	PIN, LYNCH 5/16X1.75LG	2



ELECTRICAL ASSEMBLY

KEY NO.	PART NO.	DESCRIPTION	QTY
1	MU95379	WIRE HARNESS	1
3	MU95381	REAR HARNESS	1
4	MU92372	SOCKET, LAMP	2
5	MU90084	BULB, LIGHT	2
6	MU57444	TIE, CABLE BLACK NYLON 5.62L	5
7	MU55939	WIRE CLIP, ADHESIVE	1
8	MU94762	SWITCH, IGNITION	1
10	MU690106	ASSY, DOUBLE SWITCH	1
10-1	MU320082	SWITCH, DOUBLE	1
10-2	MU690074	BOOT SWITCH	1
10-3	MU690075	CAP, SWITCH	1
12	MU94136	SWITCH LIMIT	2
13	MU94613	SOLENOID	1
14	MU711619	SCREW, 1/4X.50	2
15	MU711632	NUT, 1/4-20	2
16	MU95420	WIRE, GROUND	1
17	MU711619	SCREW,1/4X.50	1
18	MU94159	SWITCH, SEAT	1
19	MU92739	BATTERY 5 PLATE	1
20	MU711680	BOLT,1/4-20X.63	2
21	MU711636	NUT, WING 1/4-20	2
22	MU335417	BATTERY BOOT	1
24	MU711376	NUT, PLASTIC THUMB 3/8-27	1
25	MU711666	WASHER, FLAT .250X56X.0478	1
27	MU95330	TAPE SWITCH	1
28	MU95391	BUZZER FOR BAG FULL	1
29	MU711579	WIRE, LEAD TO SOLENOID TO STARTER	1
32	MU340513	WIRE HARNESS, HEADLIGHTS	1
37	MU690111	ELECTRONIC DIAG.	1
	MU302031	FUSE 15 AMP	



KEY NO.	PART NO.	DESCRIPTION	QTY
1	MU327350	IGNITION KEY	2
2	MU95220	COVER PEDAL, BRK/CL	1
3	MU95185	STEERING WHEEL	1
4	MU711326	INSERT, 4-SPOKE	1
5	MU95409	PAD, FOOT RH	1
6	MU95408	FOOT PAD LH	1
7	MU309235	RATCHET FASTENER	10
8	MU95415	SEAT	1
9	MU711654	BOLT, .375X.255 HSH 5/16-18	2

345014A