

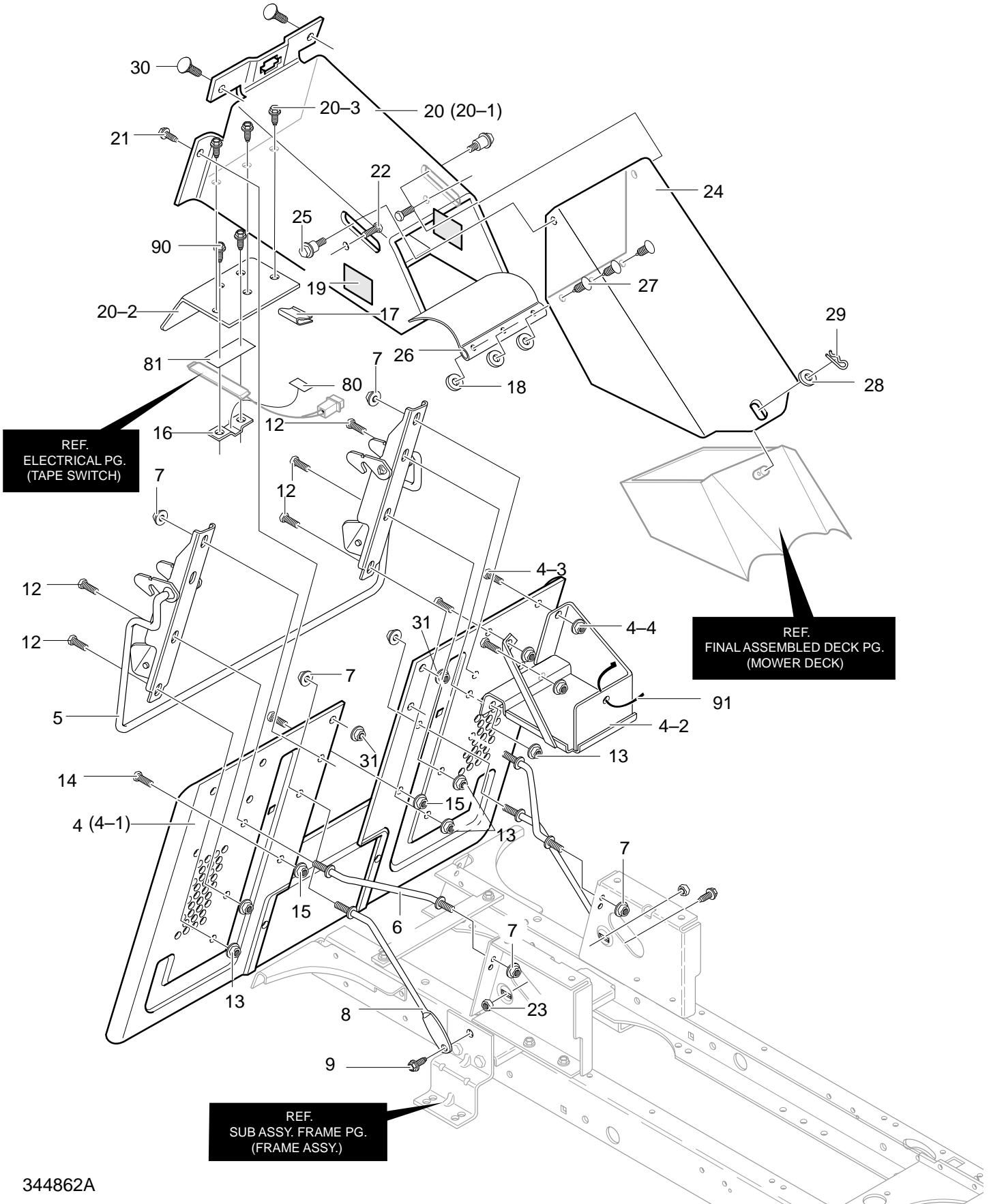
MODEL 40373x51B

REPAIR PARTS CHASSIS & HOOD ASSEMBLY

Key No.	Description	Part No.	Key No.	Description	Part No.
1	Support, Grille RH	94082-853	14	Screw, 10-24x.500	711629
2	Support, Grille LH	94083-853	15	Lens, RH	94080
3	Screw, 5/16-18x.75	711606	16	Lens, LH	94081
4	Dash	94074-860	17	Reflector, Headlight	94807
5	Screw, 10-24x.500	711629	18	Reflector, Headlight	94807
6	Steering Bracket	94075	19	Bolt, Shoulder	711611
7	Screw, 1/4-14x.50	710197	20	Nut, 3/8-16 Hwdflk Whiz	711622
8	Accesss Panel	95366-860	21	Bellows, Steering Post	92059
9	Screw, 10-24x.500	711629	22	Bumper	94744
10	Dash Support	95318-860	—	Decal, Murray 145/102 RH Hood	712600
11	Screw, 5/16-18x.75	711606	—	Decal, Murray 145/102 LH Hood	712599
12	Hood	690608-860	—	Decal, Murray Bagger Top	710742
13	Grille	94079-860	—	Instruction Book & Parts List	F-000739J

MODEL 40373x51B

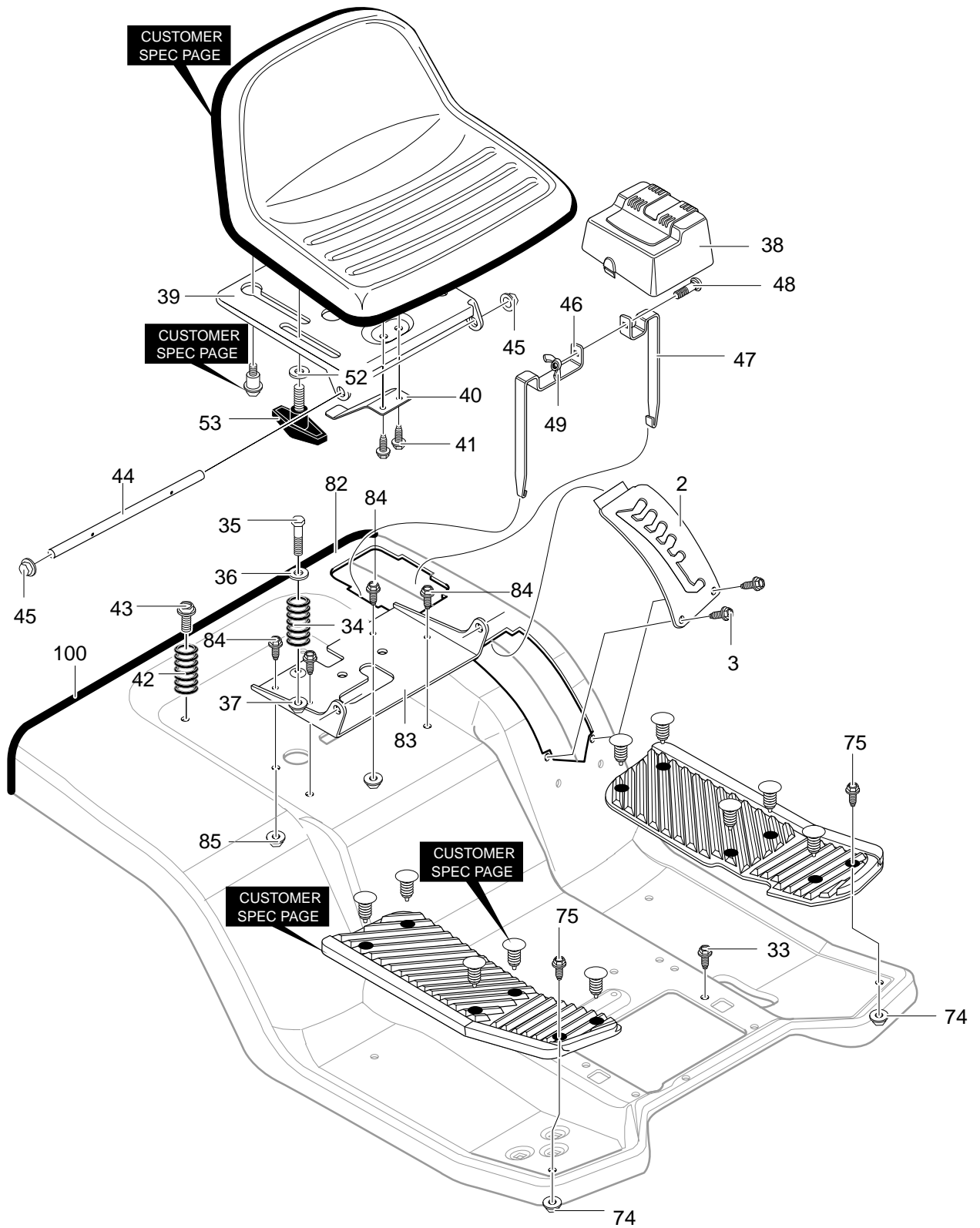
REPAIR PARTS REAR CHASSIS ASSEMBLY



MODEL 40373x51B

REPAIR PARTS REAR CHASSIS ASSEMBLY

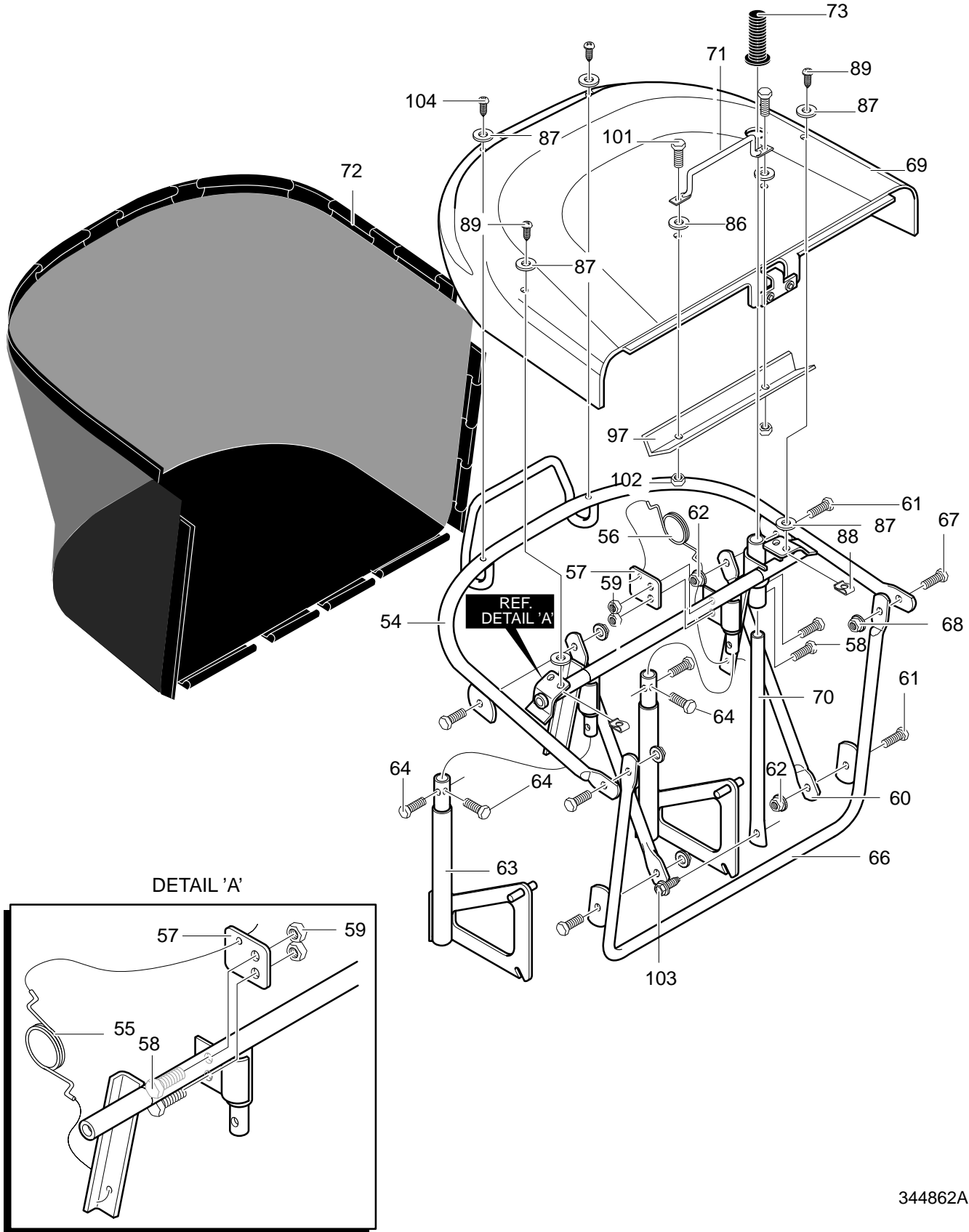
Key No.	Description	Part No.	Key No.	Description	Part No.
4	Assy., Back Plate/Battery	343678-853	20-1	Chute Weld Asm. Upper	94350
4-1	Assy. Back Plate Flat	95162	20-2	Shield, Transaxle	95367
4-2	Battery Tray Assembly	94563	20-3	Screw, 1/4-20x.63	711642
4-3	Screw, 5/16-18x.50	180073	21	Screw, 5/16-18x.75	711606
4-4	Nut, 5/16-18 Hexwdfllk Whiz	45174	22	Bolt, Carriage 5/16-18x.75	340720
5	Weldment-Latch Lever	95359-853	23	Nut, 5/16-18	710026
6	Rod, Brace	690097	24	Middle Chute Assembly	94296-853
7	Nut, 3/8-16 Hwdfl Whiz-lock	711906	25	Shoulder Bolt	009x57
8	Rod, Brace	94231	26	Flap, Chute	94264
9	Screw, 5/16-18x.75	711606	27	Fastener, Ratchet	309235
12	Screw, 5/16-18x.75	9357	28	Flatwasher	711617
13	Nut, 5/16-18 Hexwdfllk Whiz	710026	29	Pin, Hair	711682
14	Screw, 5/16-18x.75	711606	30	Bolt, Carriage 5/16-18x.75	340720
15	Nut, 5/16-18 Hexwdfllk Whiz	710026	31	Nut, 5/16-18	710026
16	Bracket, Flex Switch Mounting	690245	80	Tape, Double Sided Foam 3/4"	712009
17	Wire Clip, Adhesive	55939	81	Tape, Double Sided Foam 3/4"	712009
18	Flatwasher	711666	90	Screw, 1/4-20x.63	711642
19	Pad, Adhesive	318197	91	Cable Tie	57444
20	Asm., T/A Shield & Upper Chute	690102-853			



MODEL 40373x51B

REPAIR PARTS REAR CHASSIS ASSEMBLY

Key No.	Description	Part No.	Key No.	Description	Part No.
2	Plate, Lift Detent	95190-853	45	Nut, Push Cap	711627
3	Screw, #12x.50	711741	46	Battery Bracket, LH	95393-853
33	Screw, 5/16-18x.75	711606	47	Battery Bracket, RH	95394-853
34	Spring, Compression	710136-853	48	Bolt, Carriage 1/4-20x.63	711680
35	Shoulder Bolt 1/4-20	711610	49	Nut, Wing 1/4-20	711636
36	Zinc Washer Cup	95293	52	Washer, Flat	711644
37	Nut, 1/4-20 Centerlock	302635	53	Bolt, Wing 5/16-18x.50	711747
38	Cover, Battery	94200	74	Nut, 5/16-18	710026
39	Support, Seat	94154-860	75	Bolt, Carriage 5/16-18x.75	711891
40	Spring-Leaf	94057	82	Seat Deck	94311-860
41	Screw, 1/4-20x.50	711592	83	Bracket, Pivot Seat	94153-860
42	Spring, Compression	710109-853	84	Screw, 5/16-18x.75	711606
43	Screw, 5/16-18x.75	711606	85	Nut, 5/16-18	711634
44	Hinge Seat Pivot	95294	100	Trim 41.00 Inches	55021



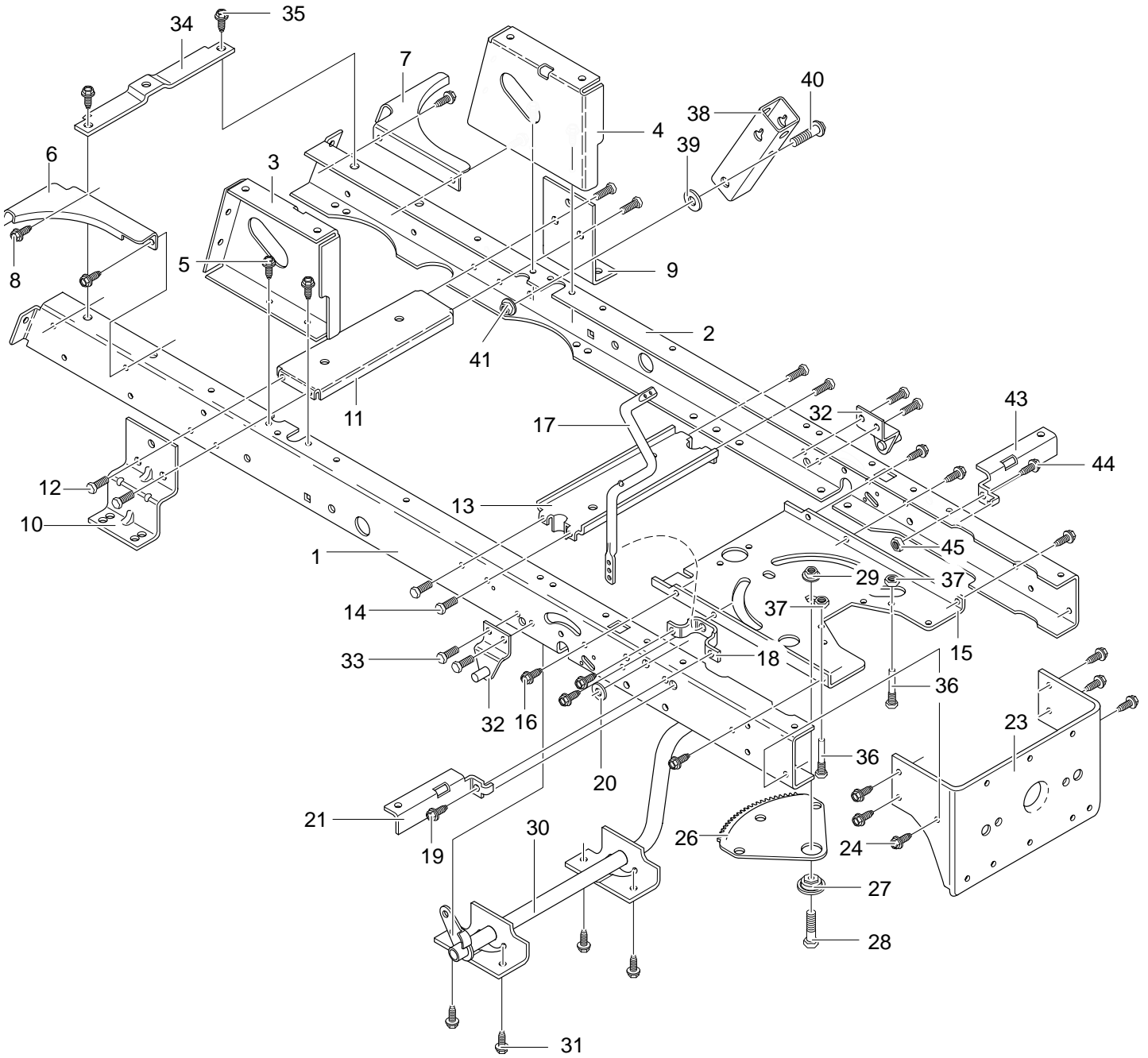
MODEL 40373x51B

REPAIR PARTS GRASS BAGGER ASSEMBLY

Key No.	Description	Part No.	Key No.	Description	Part No.
54	Asm. Weld Upper Frame	690044-853	69	Top Collector Assembly	94908-860
55	Spring, Torsion RH	690003	70	Handle, Dump Collector	690019
56	Spring, Torsion LH	690004	71	Handle, Reba Collector	690506-853
57	Bracket, Spring Collector	95339-853	72	Reba Collector Bag	95389
58	Screw, 1/4-20x.50	313686	73	Rubber Grip	94854
59	Nut, 1/4-20	73826	86	Washer	712129
60	Brace, Frame Collector	94850-853	87	Washer	711921
61	Screw, 1/4-20x.62	711909	88	Nut, 1/4-20 Tinnerman	578107
62	Nut, 1/4-20	711632	89	Screw, 1/4-20x.63	711674
63	Weld Asm. Support Collector	95343-853	97	Brace, Bagger	690010-853
64	Screw, 1/4-20x1.50	711653	101	Screw, 1/4-20x1.50	712068
66	Weld Asm. Front Frame Collect	95349-853	102	Nut, 1/4-20	711632
67	Screw, 1/4-20x.62	711909	103	Screw, #12x.50	711741
68	Nut, 1/4-20	711632	104	Screw, #12x.50	711741

MODEL 40373x51B

REPAIR PARTS FRAME ASSEMBLY

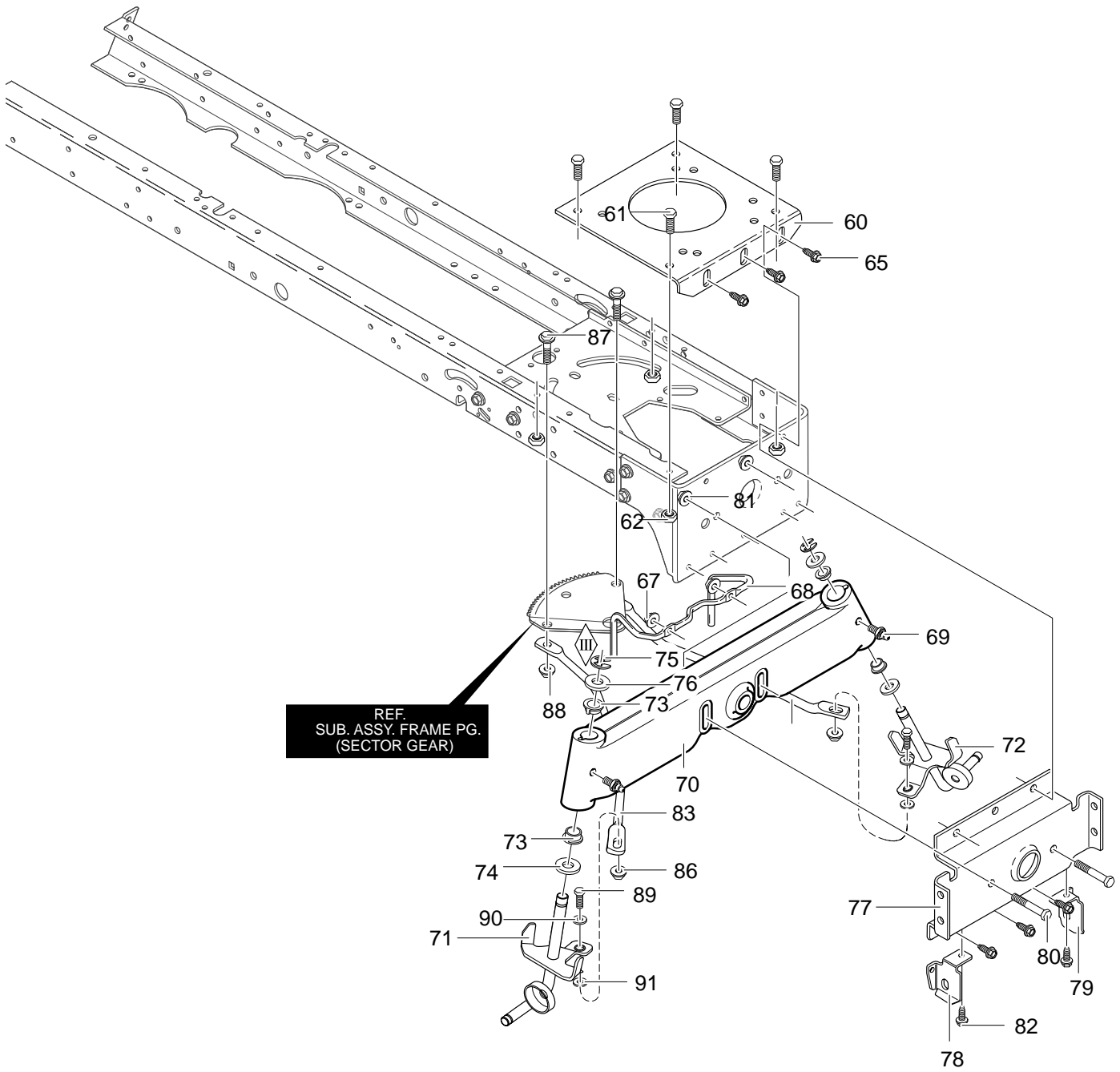


343768

MODEL 40373x51B

REPAIR PARTS FRAME ASSEMBLY

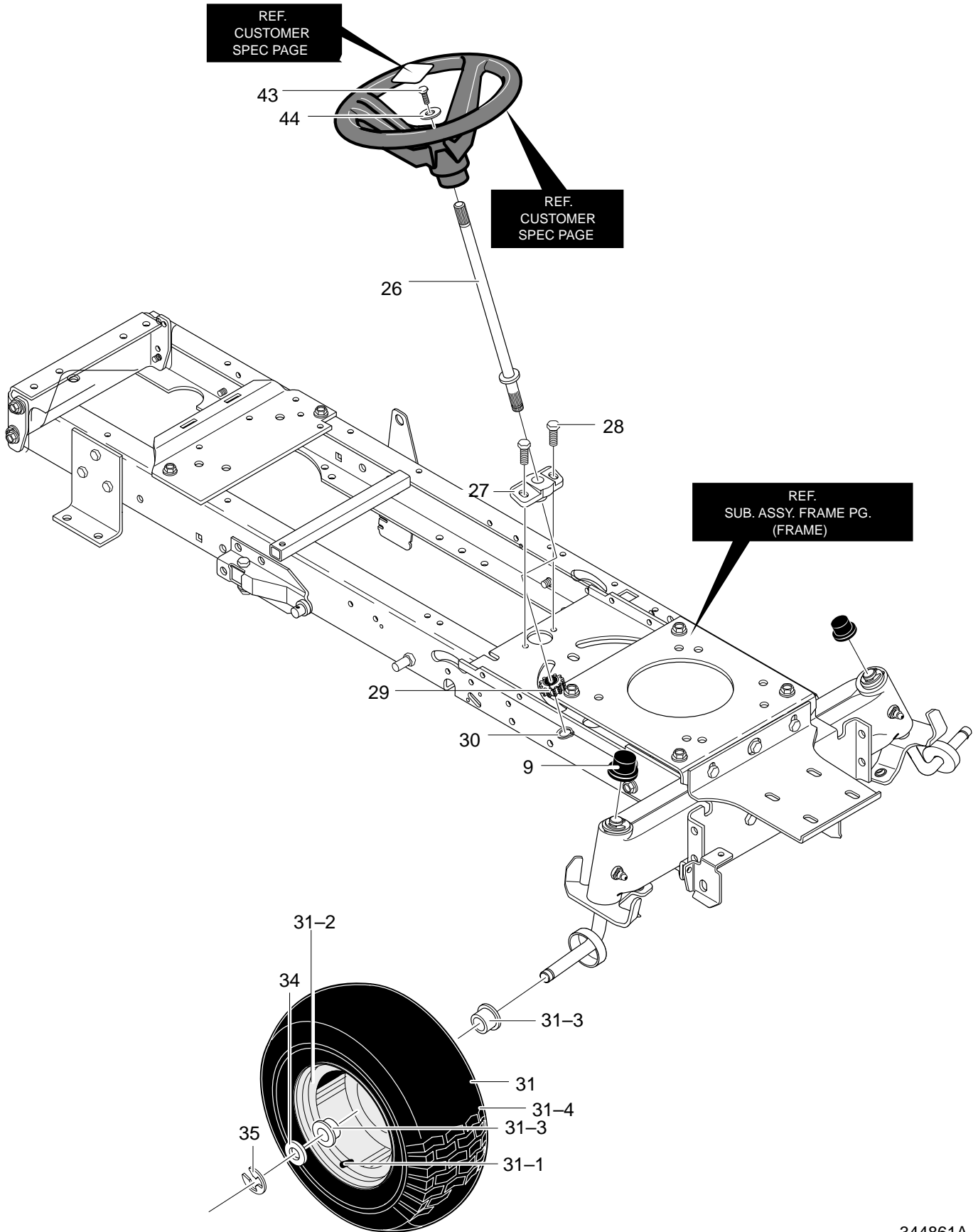
Key No.	Description	Part No.	Key No.	Description	Part No.
1	Frame, Rail RH	94564	23	Bracket, Hanger Rear	94013
2	Frame, Rail LH	94565	24	Screw, .312-18x.75	26X249
3	Support, Seat RH	94634	26	Gear, Sector	94121
4	Support, Seat LH	94633	27	Bearing, Sector Gear	94123
5	Screw, .312-18x.75	26X249	28	Screw, 5/16-18x1.00	001X84
6	Brace, BackPlate RH	94561	29	Nut, 5/16-18	15X113
7	Brace, BackPlate LH	94562	30	Clutch/Brake Pedal	94241
8	Screw, .312-18x.75	26X249	31	Screw, .312-18x.75	26X249
9	Bracket, Transaxle	94008	32	Bracket, Suspension Asm.	94285
10	Bracket-TA RH-VST LH-MS	94234	33	Screw, .312-18x.75	26X249
11	Asm., Idler Mount, Rear	94236	34	Brace, Rail	94566
12	Screw, .312-18x.75	26X249	35	Screw, .312-18x.75	26X249
13	Assy., Idler Mount, Front	94237	36	Zinc Screw Guide	93349
14	Screw, .312-18x.75	26X249	37	Nut, 5/16-18	015X79
15	Plate, Steering	690551	38	Bracket, Pivot	94015
16	Screw, .312-18x.75	26X249	39	Washer, Flat	845
17	Crank, PTO	690394	40	Bolt, Shoulder 3/8-16	009X53
18	Bracket, Bell Crank	94005	41	Nut, 3/8-16	015X84
19	Screw, .312-18x.75	26X249	43	Bracket, Seat Deck LH	690036
20	Washer, Flat	120395	44	Screw, .312-18x.75	26X249
21	Bracket, Seat Deck RH	690035	45	Nut, 5/16-18	015X79



MODEL 40373x51B

REPAIR PARTS FRAME ASSEMBLY

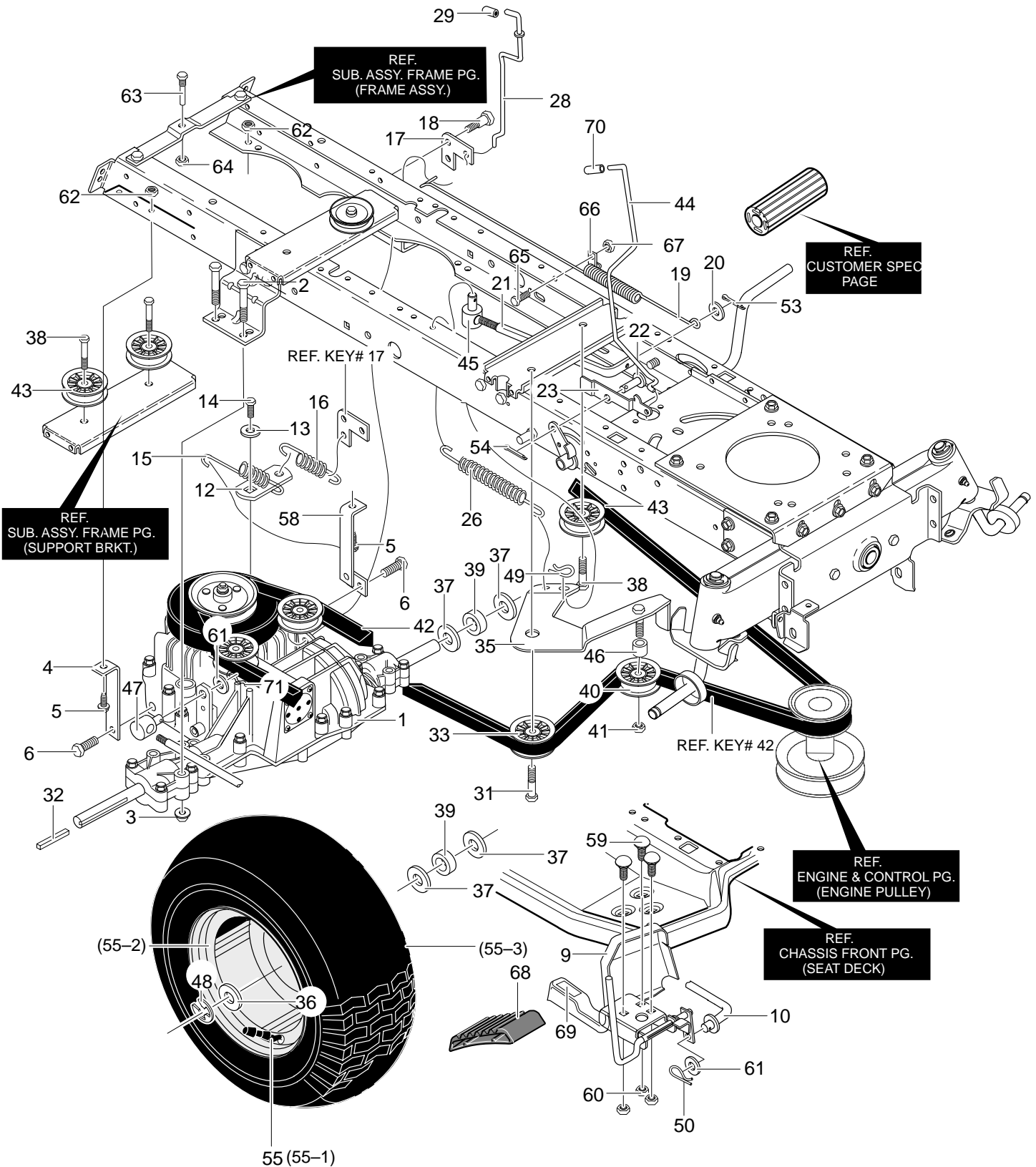
Key No.	Description	Part No.	Key No.	Description	Part No.
60	Engine Plate	94006	77	Hanger, Axle	94007
61	Screw, .312-18x.75	26X249	78	Hanger, Deck RH	690199
62	Nut, 5/16-18	015X88	79	Hanger, Deck LH	690198
65	Screw, .312-18x.75	26X249	80	Screw, 5/16-18x3.00	180113
67	Nut, 5/16-18	45174	81	Nut, 5/16-18	015X88
68	Guide-Stack Pulley Belt	94310	82	Screw, .312-18x.75	26X249
69	Zerk, Grease	706	83	Drag Link, LH	95329
70	Axle, Cast Machined	95405	84	Drag Link, RH	95328
71	Spindle, Long RH	95182	86	Nut, 3/8-16	015X84
72	Spindle, Long LH	95183	87	Shoulder Bolt	9X57
73	Bearing, Spindle	92527	88	Nut, 3/8-16	015X84
74	Washer, .766IDx1.62ID	17X113	89	Screw, 3/8-16x1.50	01X111
75	E-Ring	0011X3	90	Flatwasher	17X104
76	Washer, Flat	17X195	91	Flatwasher	017X53



Key No.	Description	Part No.
9	Dust Hub Cap	94618
26	Shaft, Steering	94520
27	Bearing—Lower	94124
28	Screw, 5/16—18x.75	711606
29	Gear, Pinion	94122
30	Retaining Ring	710102
31	Tire & Rim	690049
31-1	Valve Stem	338512
31-2	Rim	338517
31-3	Bearing	338513
31-4	Tire	338516
34	Flatwasher	711758
35	E—Ring	0011X3
43	Screw, 1/4—20x.75	711719
44	Flatwasher	711663
—	Hub Cap	94618

MODEL 40373x51B

REPAIR PARTS MOTION DRIVE



345010B

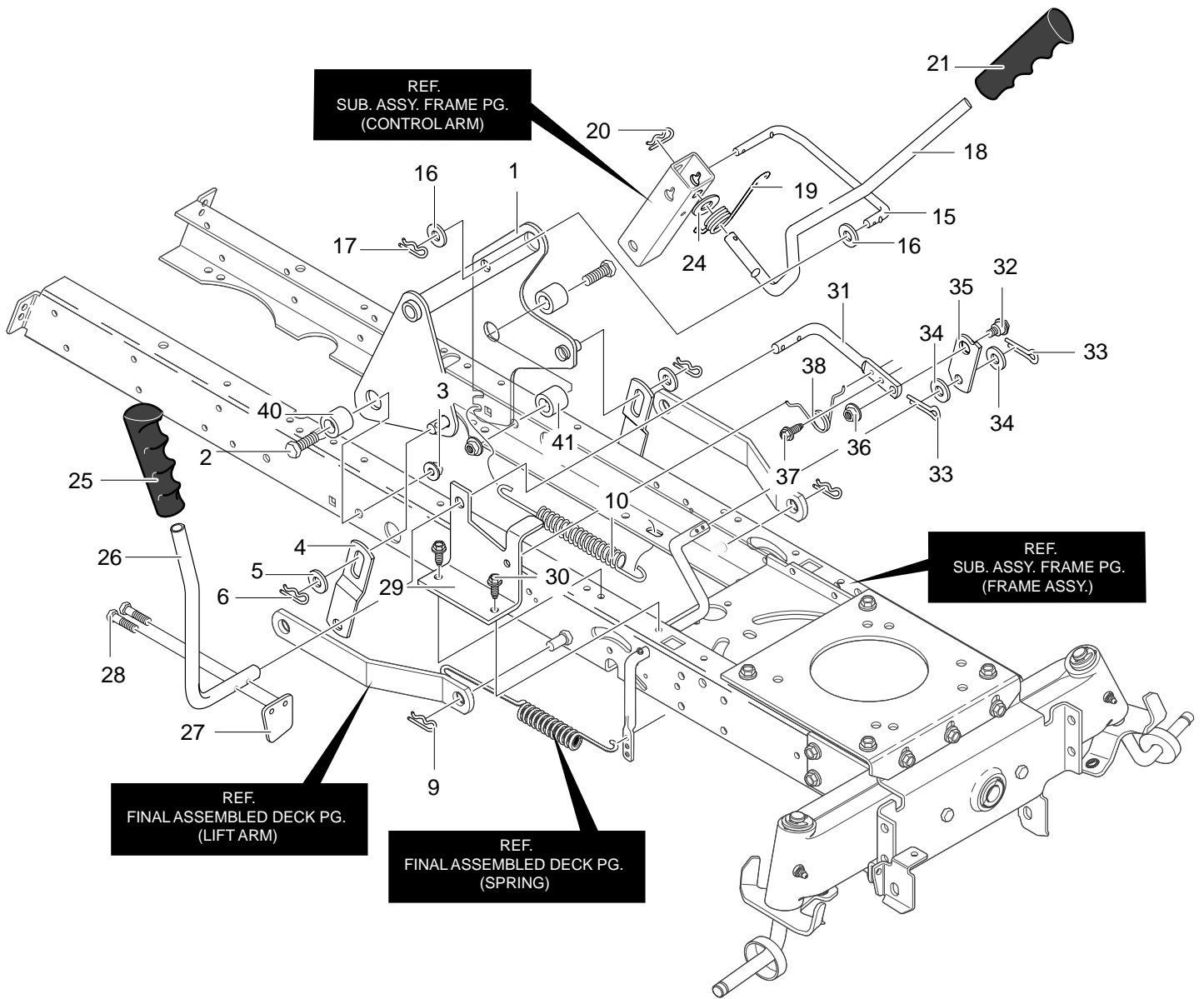
MODEL 40373x51B

REPAIR PARTS MOTION DRIVE

Key No.	Description	Part No.	Key No.	Description	Part No.
1	Transaxle, MST205	*	41	Nut, 3/8-16	711920
2	Screw, 5/16-18x2.50	711669	42	Belt, V 4L 112.75	94609
3	Nut, 5/16-18	711634	43	Pulley, Idler	95531
4	Bracket, Stabilizer Hydro	94224-853	44	Park Brake Control Rod	690047
5	Screw, 5/16-18x1.00	711893	45	Nut, 5/16-18 Adjusting	711898
6	Screw, 5/16-18x.75	710268	46	Spacer, 1/2 to 17mm	690369
9	Pedal Assy. Hydro	690134-853	47	Adjusting Nut, 1/2-13	711594
10	Rod, Foot Control	690018	48	E-Ring	0011x3
12	Bracket, Shift	323212	49	Pin, Hair	711659
13	Washer, Transaxle	711895	50	Pin, Hair	711676
14	Screw, 1/4-28x.750	01x145	53	Pin, Cotter	71081
15	Spring, Transaxle	94622	54	Pin, Cotter	71081
16	Spring	326780	55	Tire & Rim	692290
17	Bracket, Disconnect Lever	94621-853	55-1	Valve Stem	338512
18	Bolt, 5/16-18 HSSH	711896	55-2	Rim	338524
19	Spring, Brake	95424	55-3	Tire	338526
20	Washer, Flat	711921	58	Asm., Weld Bracket, Stabilizer	94225-853
21	Rod, Clutch	690016	59	Bolt, Carriage 5/16-18x.75	711688
22	Pin, Clevis	711903	60	Nut, 5/16-18 Hexwdfllk Whiz	710026
23	Latch, Park Brake	95290	61	Flatwasher, .515x.88x.0	711894
26	Spring, Tension	711522	62	Nut, 5/16-18 Hexwdfllk	710026
28	Rod, Disconnect	690015	63	Screw Guide	711745
29	Grip, Hydro Disconnect	690032	64	Nut, 5/16-18 Hexwdfllk Whiz	710026
31	Screw, 3/8-16x1.25	711905	65	Screw, 1/4-20x.50	313686
32	Key, Square	52928	66	Retainer, Wire	711742
33	Pulley, Idler	95531	67	Nut, 1/4-20 Wdfllwhiz-Lk	780285
35	Assy, Idler Arm Traction	94238-853	68	Pedal, Pad Sandpaper	93248
36	Washer, Flat	711758	69	Pad, Toe Sandpaper	93249
37	Washer, Flat	711904	70	Cap, Dump Valve Rod	335980
38	Screw, 3/8-16x1.25	711905	71	Hair Pin	711682
39	Spacer	95274		Hubcap	94618
40	Pulley, Idler	690409			

* Contact your nearest transaxle dealer for parts and service.

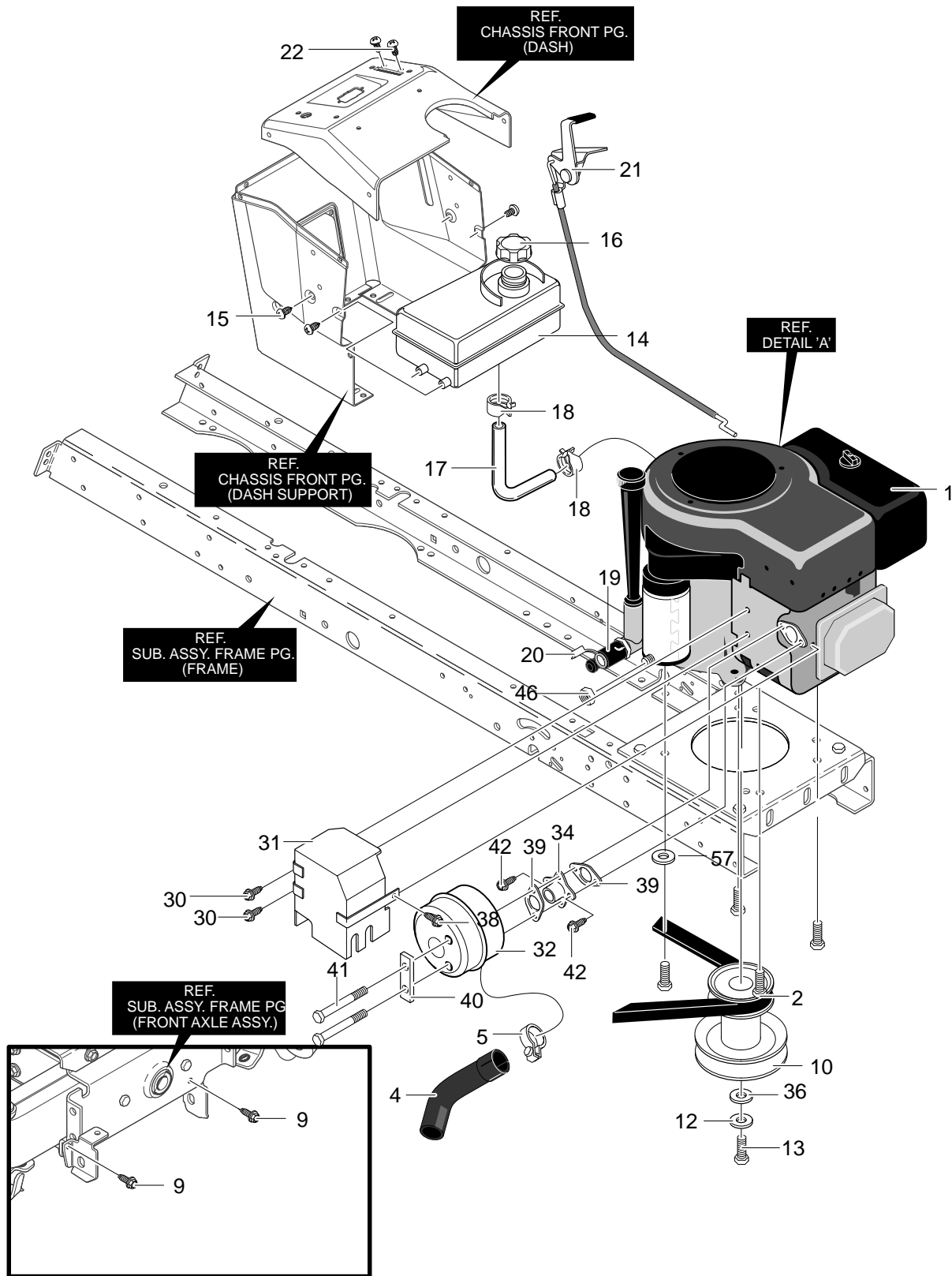
For information on Replacement Parts see the Central Parts Distributor in your area.



MODEL 40373x51B

REPAIR PARTS MOWER SUSPENSION ASSEMBLY

Key No.	Description	Part No.	Key No.	Description	Part No.
1	Assembly, Lift Arm	95233-853	25	Grip	94496
2	Screw, 1/2-13x1.50	711917	26	PTO Handle	712034
3	Nut, 1/2-13 Lock	711918	27	Paddle, Switch	95284
4	Bracket, Lift Link	94262-853	28	Screw, Thread Form	711621
5	Washer, Flat	711617	29	Bracket, PTO	94018-853
6	Hair Pin	711676	30	Screw, 5/16-18x.50	780055
9	Hair Pin	711676	31	Lever, PTO	95283
10	Spring, Extension	710235	32	Bolt, Shoulder 3/8-16	711613
15	Link-Lift Handle	711981	33	Hair Pin	711659
16	Washer, Flat	711617	34	Washer, Flat	711615
17	Hair Pin	711676	35	Link PTO	95282
18	Handle, Lift	690532	36	Nut, 3/8-16	711622
19	Torsion Spring	710111	37	Screw 5/16-18x.75	711606
20	Hair Pin	711676	38	Torsion Spring	710141
21	Grip, Lift	94497	40	Spacer	94309
24	Washer, Flat	711616	41	Spacer, Sleeve	56150



INSET 'A'

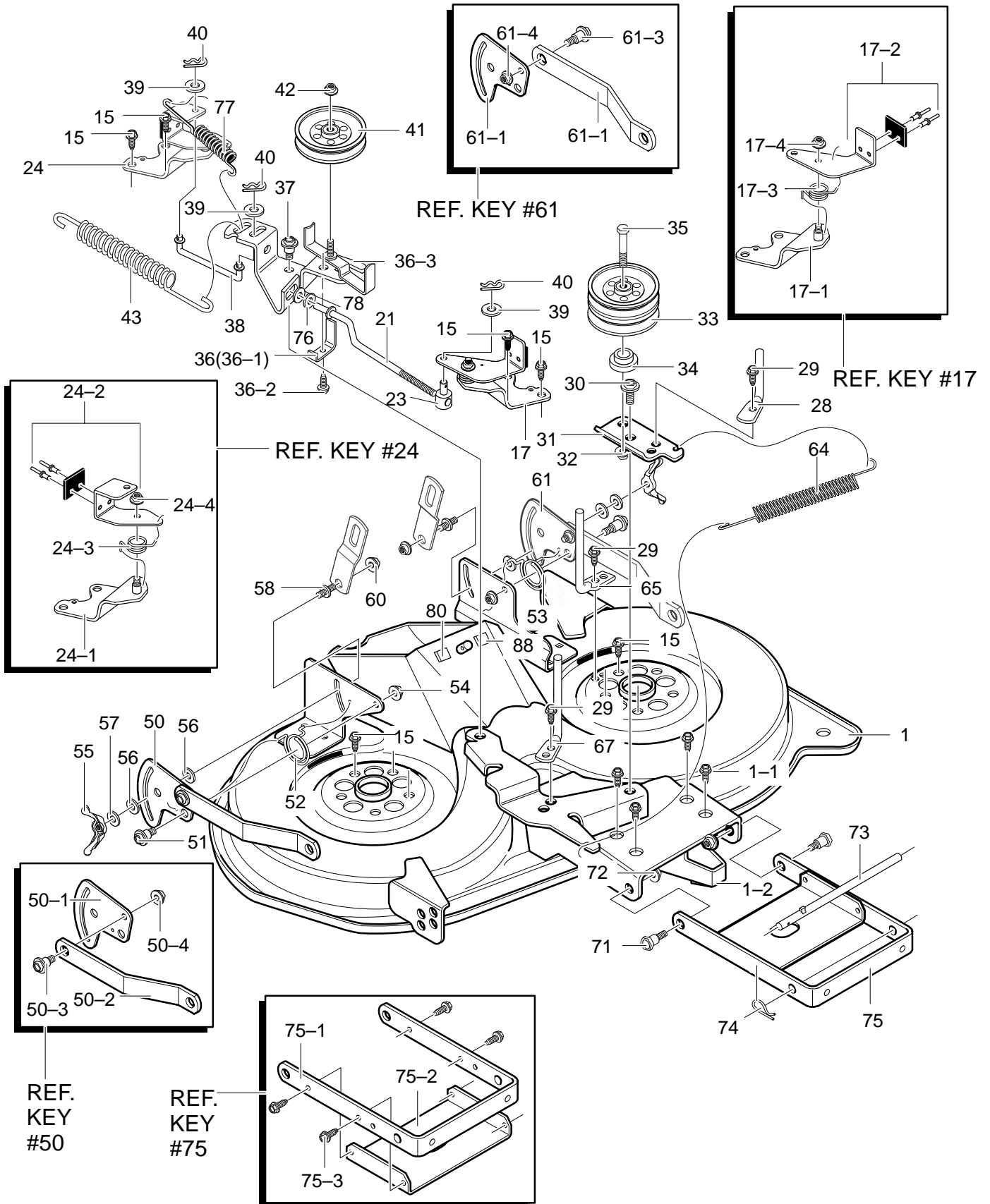
MODEL 40373x51B

REPAIR PARTS ENGINE AND CONTROL ASSEMBLY

Key No.	Description	Part No.	Key No.	Description	Part No.
1	Engine	—	17	Tubing 14.50 Inches	50118
—	Clip, Speed	94951	18	Clamp, Fuel	336890
2	Engine Bolt 3/8x1.25	0025X7	19	Oil Drain Valve Assembly	325547
5	Muffler Gasket	91309	20	Cap, Oil Drain Valve	327422
6	Shield, Heat	91277	21	Throttle Control	94361
7	Screw, 5/16-18x4.125	712065	22	Screw, #8-16x.38	711637
9	Screw, 5/16-18x.75	711606	31	Muffler	91271
10	Stack Pulley	690456	32	Deflector, Exhaust	23740
12	Washer, Regsptlk	120383	33	Screw, #8-32x.38	712070
13	Bolt, 7/16-20x1.75LG	1x169	46	Nut, 1/4-20 Reghexjam	711601
14	Fuel Tank 1.4 Gal.	94073	56	Washer, Flat	17x170
15	Screw, 15TP	711681	57	Washer, Exlk	711668
16	Fuel Cap	92317			

MODEL 40373x51B

REPAIR PARTS DECK ASSEMBLY



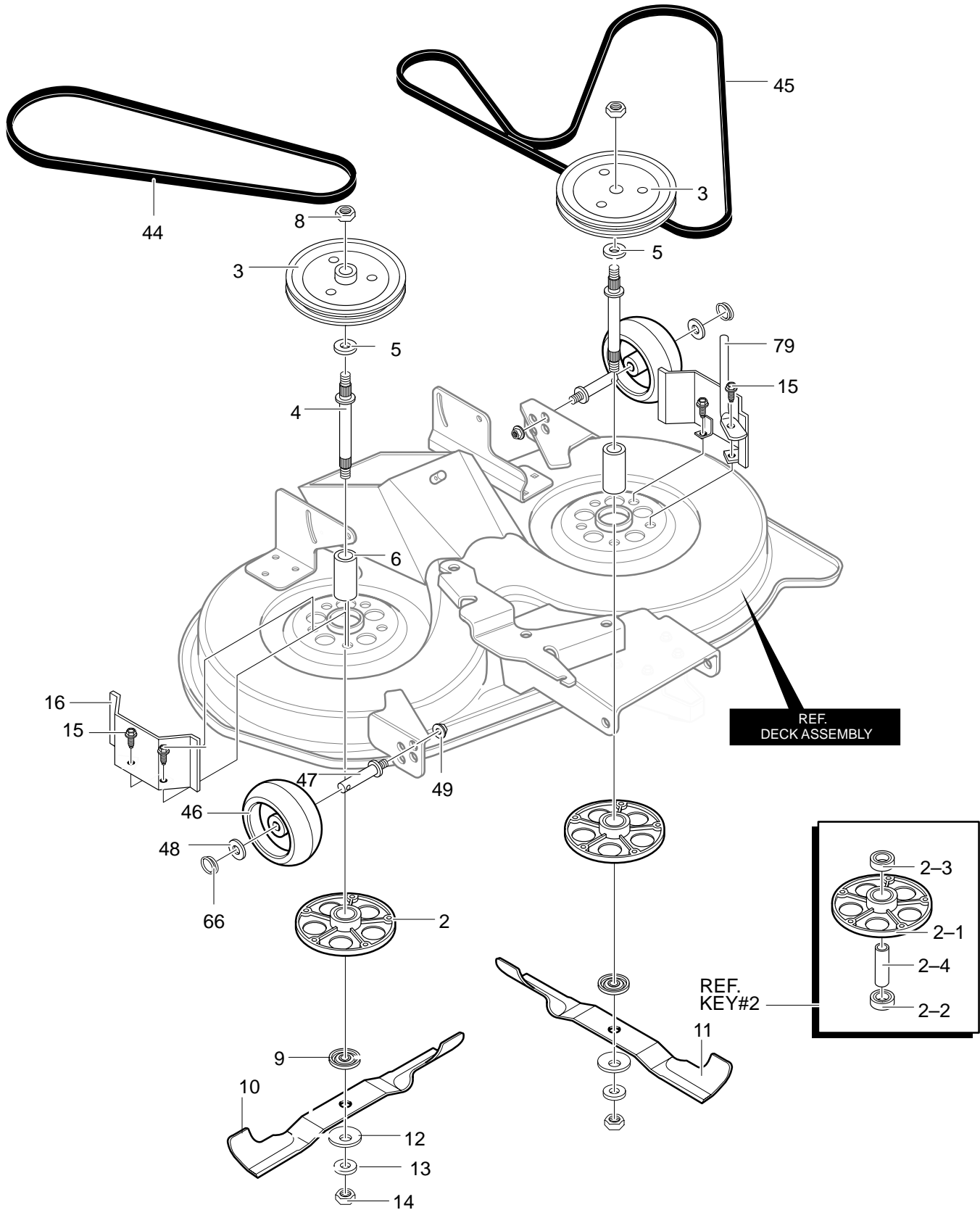
MODEL 40373x51B

REPAIR PARTS DECK ASSEMBLY

Key No.	Description	Part No.	Key No.	Description	Part No.
1	Housing, 40" Deck	690109-853	50-1	Plate-Suspension	94128
17	Brake Arm Assembly LH	94665-853	50-2	Suspension Bracket Rear	94055
17-1	Brake Support Assembly LH	94293	50-3	Bolt, Shoulder	710095
17-2	Brake Arm	94291	50-4	Nut, 3/8-16	710140
17-3	Spring, Torsion	710110	51	Bolt, Shoulder	711611
17-4	Nut, 5/16-18	710205	52	Spring, Torsion RH	710112
21	Link, Brake LH	690021	53	Spring, Torsion LH	710113
23	Nut, Adjusting	711591	54	Nut, 3/8-16	711622
24	Brake Arm Assembly RH	94664-853	55	Wingnut, 5/16-18	711600
24-1	Brake Support RH	94294	56	Pad, Friction	94137
24-2	Brake Arm RH	94292	57	Washer	711628
24-3	Spring, Torsion	710077	58	Pin, Hanger	711595
24-4	Nut, 5/16-18	710205	60	Nut, 3/8-16	711622
28	Belt Guide	711912	61	Assy., Plate Rear Sus Brkt., LH	690159-853
29	Screw, 5/16-18x.50	780055	61-1	Plate-Suspension	94128
30	Bolt, Shoulder	711613	61-2	Suspension Bracket, Rear	94055
31	Arm, Double Idler	94261-853	61-3	Bolt, Shoulder	710095
32	Nut, 3/8-16	711622	61-4	Nut, 3/8-16	710140
33	Pulley, Idler Double Vee	94279	64	Spring, Extension	710233
34	Spacer	94269	65	Belt Guide	711913
35	Screw, 3/8-16x3.00	711915	67	Belt Guide	690030
36	Idler Arm Assembly	94973-853	71	Shoulder Bolt	711611
36-1	Spring,-Belt Guide	94312	72	Nut, 3/8-16	711622
36-2	Screw, 1/4-20x.50	710264	73	Rod, Hanger	95295
36-3	Idler Arm	94298	74	Hair Pin	711676
37	Bolt, Shoulder	711613	75	Assembly, Bracket & Stiffener	690058-853
38	Link, Brake RH	690023	75-1	Bracket, Front Suspension	94058
39	Washer, Flat	712480	75-2	Stiffener	95057
40	Hair Pin	711682	75-3	Screw, 5/16-18x.75	710079
41	Pulley, Idler	690024	76	Flatwasher	583409
42	Nut, 3/8-16	711622	77	Spring, Extension	710658
43	Spring, Extension	710234	78	Washer, Flat	712480
50	Assy, Plate,Rear Sus Bkt RH	690158-853	80	Pad, Adhesive	318197

MODEL 40373x51B

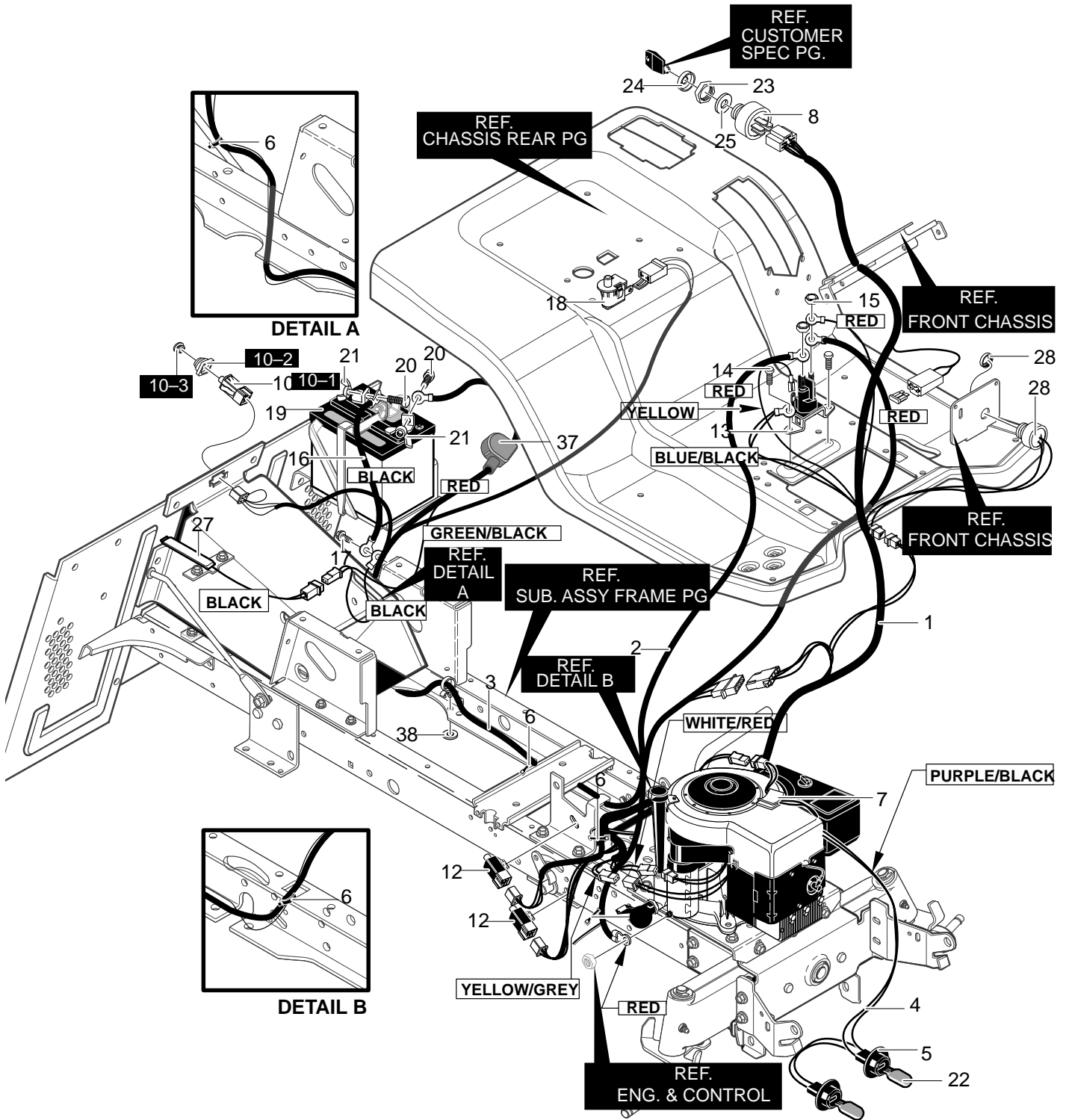
REPAIR PARTS DECK ASSEMBLY



MODEL 40373x51B

REPAIR PARTS DECK ASSEMBLY

Key No.	Description	Part No.	Key No.	Description	Part No.
2	Assembly, Jackshaft Housing	94305	12	Washer, Bellville	17x166
2-1	Housing, Jackshaft	94282	13	Flatwasher	17x165
2-2	Bearing, Lower Jackshaft	92282	14	Nut, 9/16-18	711910
2-3	Bearing, Upper Jackshaft	92281	15	Screw, 3/8-16x1.00	711911
2-4	Spacer	90904	16	Pulley Cover	94288-853
3	Pulley, Deck	690020	44	Belt, V 46.5LG	710231
4	Jackshaft	91922	45	Belt, Deck	690071
5	Flatwasher	17x165	46	Gauge Wheel	92683
6	Spacer	91903	47	Shoulder Bolt	711746
8	Nut, 9/16-18	711910	48	Flatwasher	711615
9	Adapter, Deck	94207	49	Nut, 3/8-16	711622
10	Blade, LH	690499	66	Circle Pin	711764
11	Blade, RH	690500	79	Rod, Belt Guide	95280



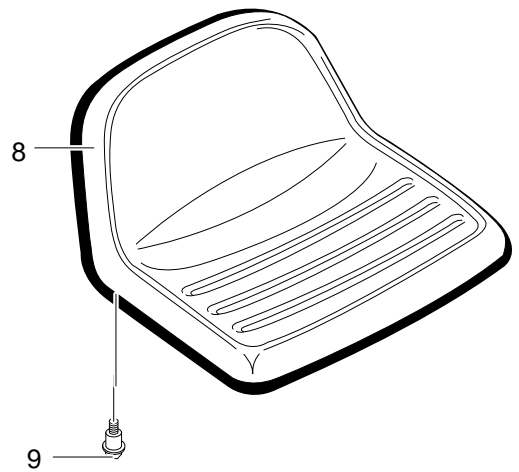
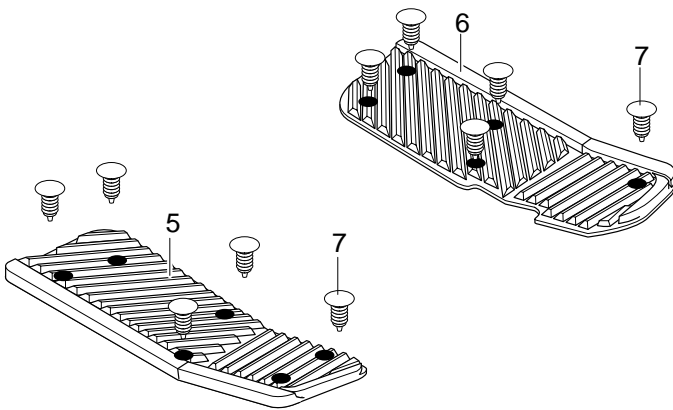
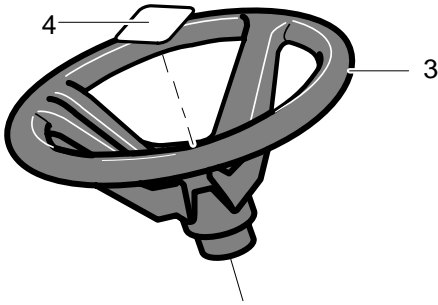
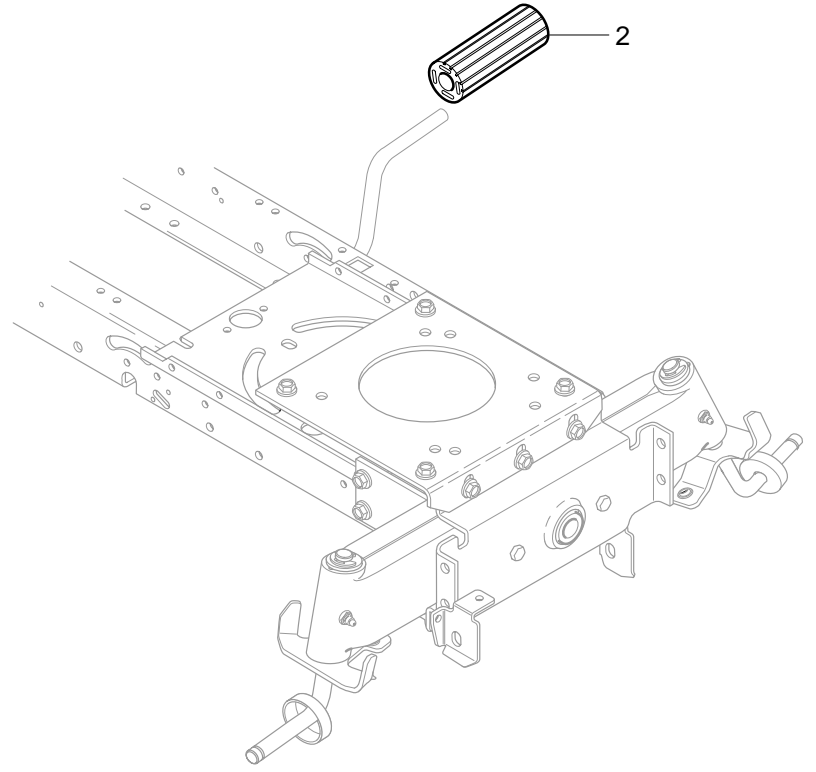
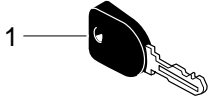
MODEL 40373x51B

REPAIR PARTS ELECTRICAL ASSEMBLY

Key No.	Description	Part No.	Key No.	Description	Part No.
1	Wire Harness	95380	16	Ground Wire	95420
2	Wire, Lead Solenoid to Start	711579	17	Screw, 1/4x.50	711619
3	Rear Harness	95381	18	Seat Switch	94159
4	Wire Harness, Headlight	340513	19	Battery, 5 Plate	92739
5	Socket, Lamp	92372	20	Bolt, 1/4-20x.63	711680
6	Cable Tie	57444	21	Wing Nut	711636
7	Wire Clip, Adhesive	55939	22	Light Bulb	90084
8	Switch, Ignition	94878	23	Nut, 5/8-8 Acme Delta	327352
10	Assy, Switch Double Pole Delta	690106	24	Boot, Ign. Switch	300194
10-1	Switch, Double	320082	25	Washer, Regintlk	313683
10-2	Boot, Switch	690074	27	Tape Switch	95330
10-3	Switch Cap	690075	28	Buzzer, For Bag Full	95391
12	Switch, Limit	94136	37	Boot, Battery	335417
13	Solenoid	94613	38	Flatwasher	711666
14	Screw 1/4x.50	711619	—	15 Amp Fuse	302031
15	Nut, 1/4-20	711632			

MODEL 40373x51B

REPAIR PARTS CUSTOMER SPEC



Key No.	Description	Part No.
1	Ignition Key	327350
2	Cover, Pedal Brake/Clutch	21544
3	Steering Wheel	95185
4	Insert, 4-Spoke	711326
5	Foot Pad RH	95409
6	Foot Pad LH	95408
7	Ratchet Fastener	309325
8	Seat	94163
9	Shoulder Bolt 5/16-18	711740