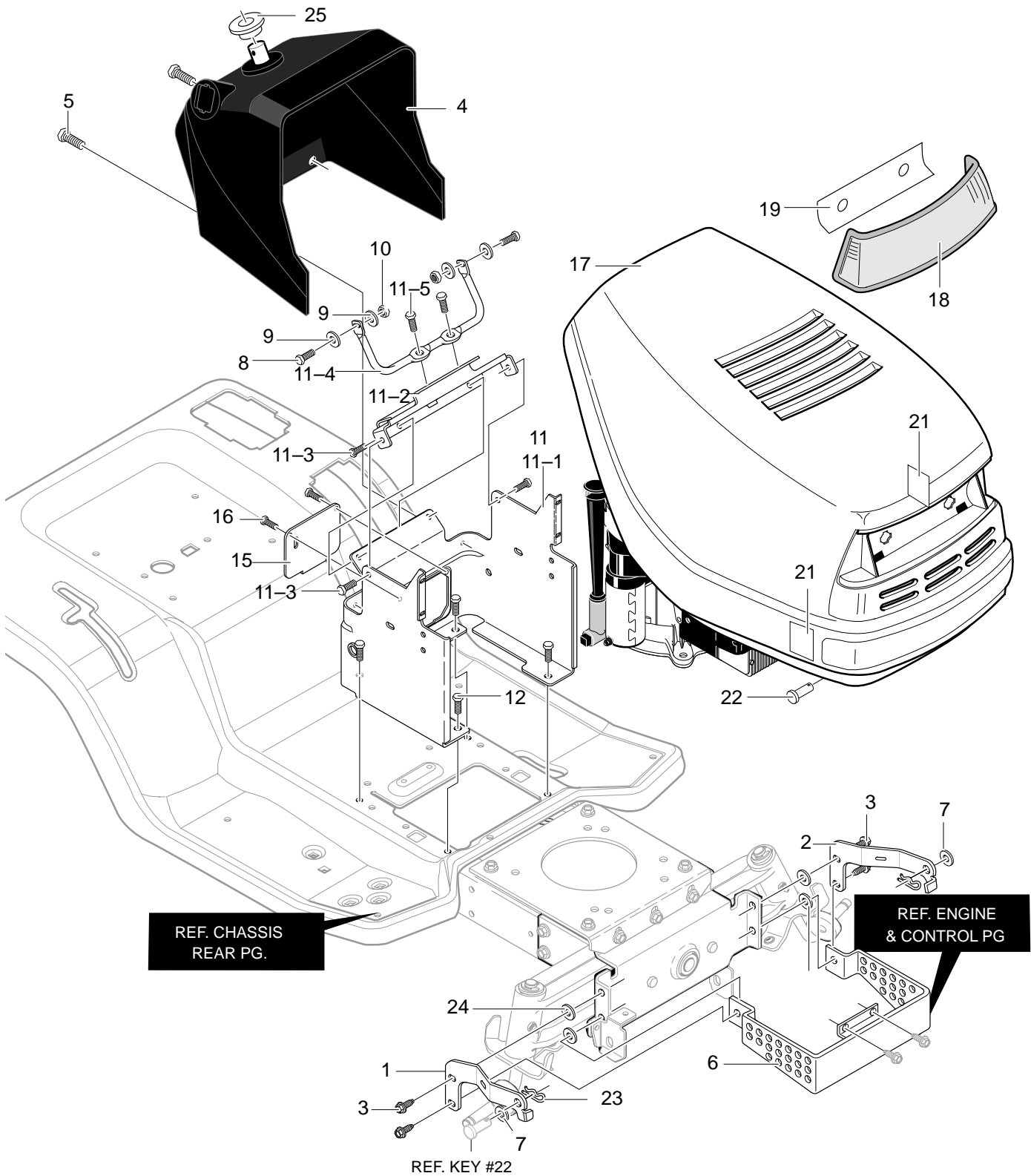


MODEL 40372x50B

REPAIR PARTS CHASSIS & HOOD ASSEMBLY



344695A

MODEL 40372x50B

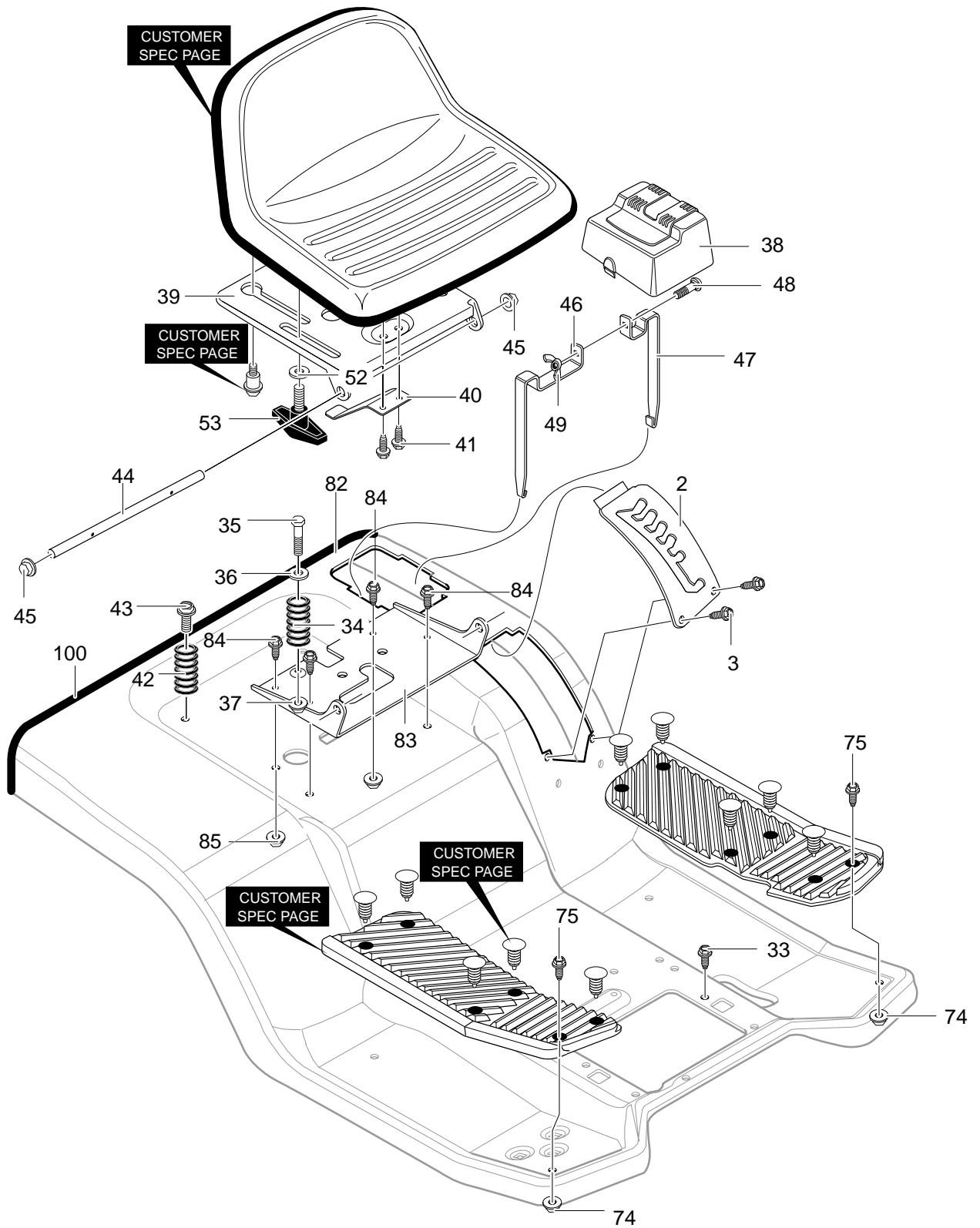
REPAIR PARTS CHASSIS & HOOD ASSEMBLY

| Key No. | Description | Part No. | Key No. | Description | Part No. |
|---------|----------------------------|------------|---------|-------------------------------|-----------|
| 1 | Bracket, Hood RH | 95413-821 | 15 | Panel, Access | 95270-860 |
| 2 | Bracket, Hood LH | 95414-821 | 16 | Screw, 10-24x.50 | 711629 |
| 3 | Screw, 5/16-18x.75 | 711606 | 17 | Hood | 94984 |
| 4 | Dash | 94907 | 18 | Lens, Headlamp | 302670 |
| 5 | Screw, 1/4-14x.75 | 711762 | 19 | Foil, Lens | 308492 |
| 6 | Heat Shield Guard | 95195-821 | 21 | Foil, Heat Reflector | 301452 |
| 7 | Washer, Flat Insulate | 712480 | 22 | Pin, Clevis | 711856 |
| 8 | Screw, 1/4-20x.75 | 302628 | 23 | Hair Pin | 711682 |
| 9 | Washer, Flat .286x.63x.065 | 71067 | 24 | Washer, Flat Insulate | 712480 |
| 10 | Nut, 1/4-20 Reghexctrlk | 73826 | 25 | Bushing, Steering Shaft | 95404 |
| 11 | Assembly, Lower Console | 341569-860 | | Decal, Sentinel RH Hood | 711853 |
| 11-1 | Tower, Lower Dash | 95425 | | Decal, Sentinel LH Hood | 711854 |
| 11-2 | Support, Steering | 95426 | | Decal, 18/102 RT & LT | 712087 |
| 11-3 | Screw, 1/4-20x.50 | 710264 | | Decal, Sentinel Front | 710672 |
| 11-4 | Rod, Dash Brace | 95406 | | Decal, Sentinel w/Logo | 710673 |
| 11-5 | Screw, 1/4-20x.50 | 710264 | — | Instruction Book & Parts List | F-000734J |
| 12 | Screw, 10-24x.50 | 711606 | | | |

MODEL 40372x50B

REPAIR PARTS REAR CHASSIS ASSEMBLY

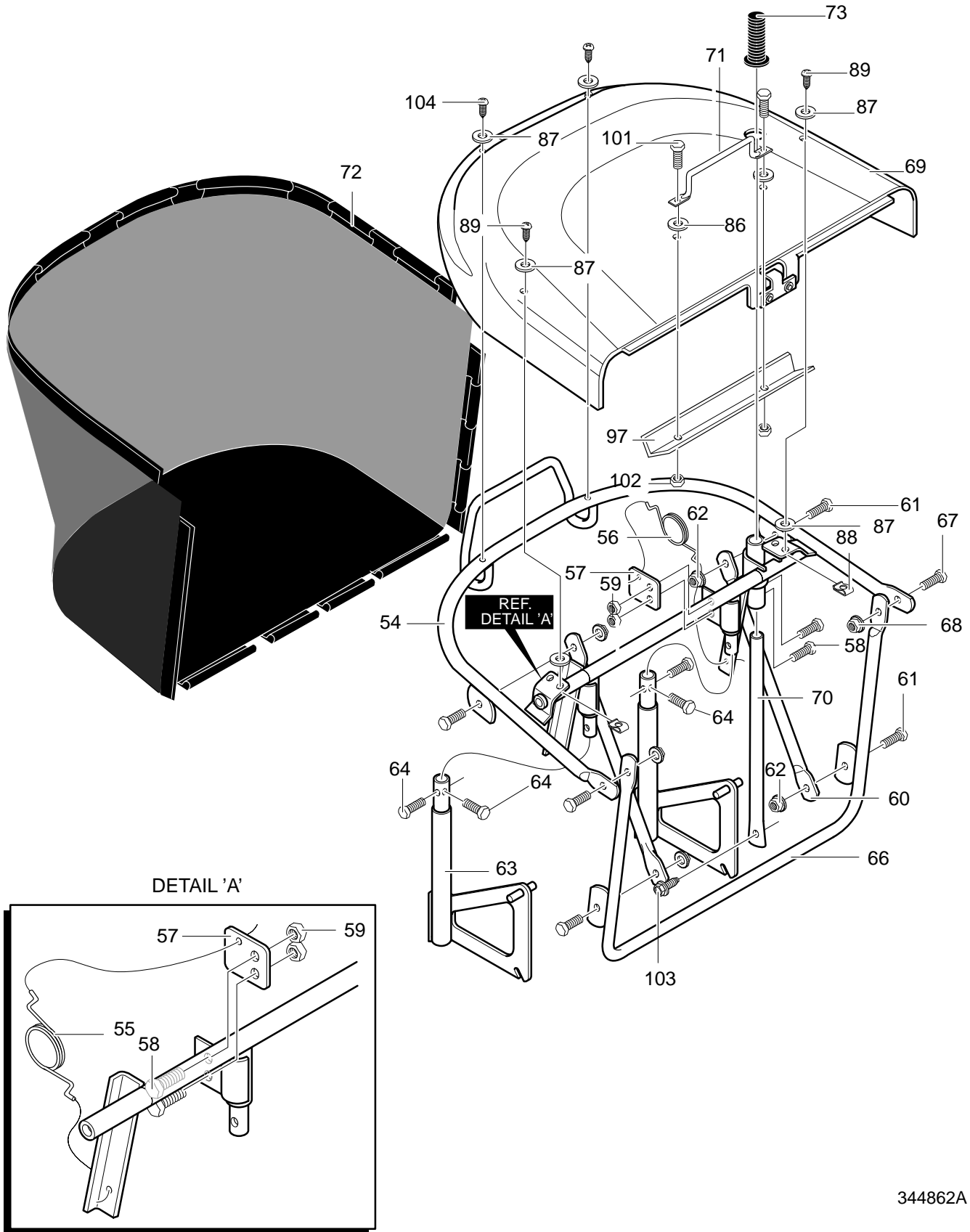
| Key No. | Description | Part No. | Key No. | Description | Part No. |
|---------|--------------------------------|------------|---------|------------------------------|-----------|
| 4 | Assy., Back Plate/Battery | 343678-821 | 20-1 | Chute Weld Asm. Upper | 94350 |
| 4-1 | Assy. Back Plate Flat | 95162 | 20-2 | Shield, Transaxle | 95367 |
| 4-2 | Battery Tray Assembly | 94563 | 20-3 | Screw, 1/4-20x.63 | 711642 |
| 4-3 | Screw, 5/16-18x.50 | 180073 | 21 | Screw, 5/16-18x.75 | 711606 |
| 4-4 | Nut, 5/16-18 Hexwdfllk Whiz | 45174 | 22 | Bolt, Carriage 5/16-18x.75 | 340720 |
| 5 | Weldment-Latch Lever | 95359-821 | 23 | Nut, 5/16-18 | 710026 |
| 6 | Rod, Brace | 690097 | 24 | Middle Chute Assembly | 94296-821 |
| 7 | Nut, 3/8-16 Hwdfll Whiz-lock | 711906 | 25 | Shoulder Bolt | 710440 |
| 8 | Rod, Brace | 94231 | 26 | Flap, Chute | 94264 |
| 9 | Screw, 5/16-18x.75 | 711606 | 27 | Fastener, Ratchet | 309235 |
| 12 | Screw, 5/16-18x.75 | 9357 | 28 | Flatwasher | 711617 |
| 13 | Nut, 5/16-18 Hexwdfllk Whiz | 710026 | 29 | Pin, Hair | 711682 |
| 14 | Screw, 5/16-18x.75 | 711606 | 30 | Bolt, Carriage 5/16-18x.75 | 340720 |
| 15 | Nut, 5/16-18 Hexwdfllk Whiz | 710026 | 31 | Nut, 5/16-18 | 710026 |
| 16 | Bracket, Flex Switch Mounting | 690245 | 80 | Tape, Double Sided Foam 3/4" | 712009 |
| 17 | Wire Clip, Adhesive | 55939 | 81 | Tape, Double Sided Foam 3/4" | 712009 |
| 18 | Flatwasher | 711666 | 90 | Screw, 1/4-20x.63 | 711642 |
| 19 | Pad, Adhesive | 318197 | 91 | Cable Tie | 57444 |
| 20 | Asm., T/A Shield & Upper Chute | 690102-821 | | | |



MODEL 40372x50B

REPAIR PARTS REAR CHASSIS ASSEMBLY

| Key No. | Description | Part No. | Key No. | Description | Part No. |
|---------|------------------------|------------|---------|----------------------------|-----------|
| 2 | Plate, Lift Detent | 95190-821 | 45 | Nut, Push Cap | 711627 |
| 3 | Screw, #12x.50 | 711741 | 46 | Battery Bracket, LH | 95393-821 |
| 33 | Screw, 5/16-18x.75 | 711606 | 47 | Battery Bracket, RH | 95394-821 |
| 34 | Spring, Compression | 710136-821 | 48 | Bolt, Carriage 1/4-20x.63 | 711680 |
| 35 | Shoulder Bolt 1/4-20 | 711610 | 49 | Nut, Wing 1/4-20 | 711636 |
| 36 | Zinc Washer Cup | 95293 | 52 | Washer, Flat | 711644 |
| 37 | Nut, 1/4-20 Centerlock | 302635 | 53 | Bolt, Wing 5/16-18x.50 | 711747 |
| 38 | Cover, Battery | 94200 | 74 | Nut, 5/16-18 | 710026 |
| 39 | Support, Seat | 94154-860 | 75 | Bolt, Carriage 5/16-18x.75 | 711891 |
| 40 | Spring-Leaf | 94057 | 82 | Seat Deck Pedal Hydro | 94311-860 |
| 41 | Screw, 1/4-20x.50 | 711592 | 83 | Bracket, Pivot Seat | 94153-860 |
| 42 | Spring, Compression | 710109-821 | 84 | Screw, 5/16-18x.75 | 711606 |
| 43 | Screw, 5/16-18x.75 | 711606 | 85 | Nut, 5/16-18 | 711634 |
| 44 | Hinge Seat Pivot | 95294 | 100 | Trim 41.00 Inches | 95105 |



344862A

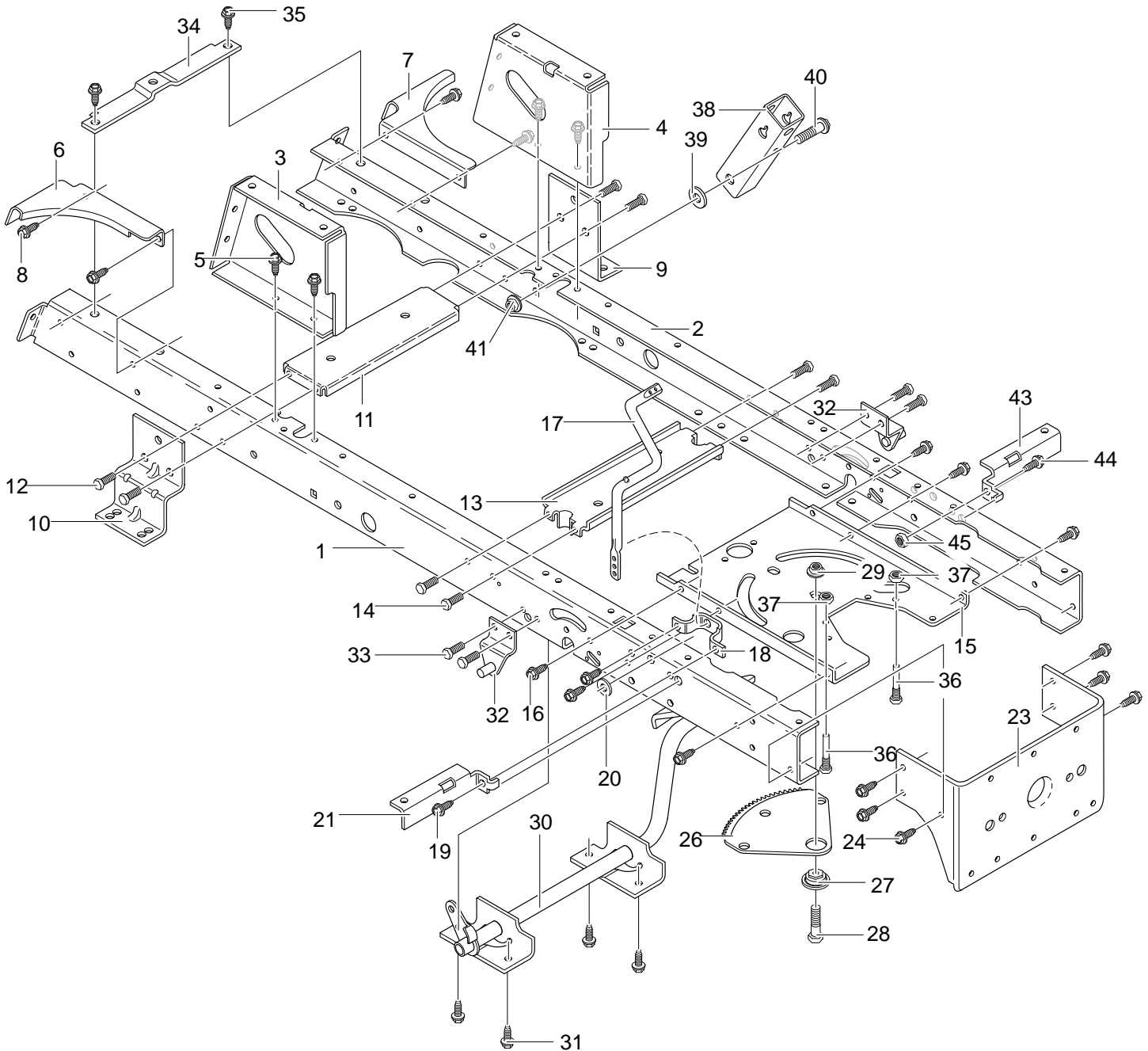
MODEL 40372x50B

REPAIR PARTS GRASS BAGGER ASSEMBLY

| Key No. | Description | Part No. | Key No. | Description | Part No. |
|----------------|-------------------------------|-----------------|----------------|------------------------|-----------------|
| 54 | Asm. Weld Upper Frame | 690044-821 | 69 | Top Collector Assembly | 94908-860 |
| 55 | Spring, Torsion RH | 690003 | 70 | Handle, Dump Collector | 690019 |
| 56 | Spring, Torsion LH | 690004 | 71 | Handle, Reba Collector | 690506-821 |
| 57 | Bracket, Spring Collector | 95339-821 | 72 | Reba Collector Bag | 95389 |
| 58 | Screw, 1/4-20x.50 | 313686 | 73 | Rubber Grip | 94854 |
| 59 | Nut, 1/4-20 | 73826 | 86 | Washer | 712129 |
| 60 | Brace, Frame Collector | 94850-821 | 87 | Washer | 711921 |
| 61 | Screw, 1/4-20x.62 | 711909 | 88 | Nut, 1/4-20 Tinnerman | 578107 |
| 62 | Nut, 1/4-20 | 711632 | 89 | Screw, 1/4-20x.63 | 711674 |
| 63 | Weld Asm. Support Collector | 95343-821 | 97 | Brace, Bagger | 690010-821 |
| 64 | Screw, 1/4-20x1.50 | 711653 | 101 | Screw, 1/4-20x1.50 | 712068 |
| 66 | Weld Asm. Front Frame Collect | 95349-821 | 102 | Nut, 1/4-20 | 711632 |
| 67 | Screw, 1/4-20x.62 | 711909 | 103 | Screw, #12x.50 | 711741 |
| 68 | Nut, 1/4-20 | 711632 | 104 | Screw, #12x.50 | 711741 |

MODEL 40372x50B

REPAIR PARTS FRAME ASSEMBLY

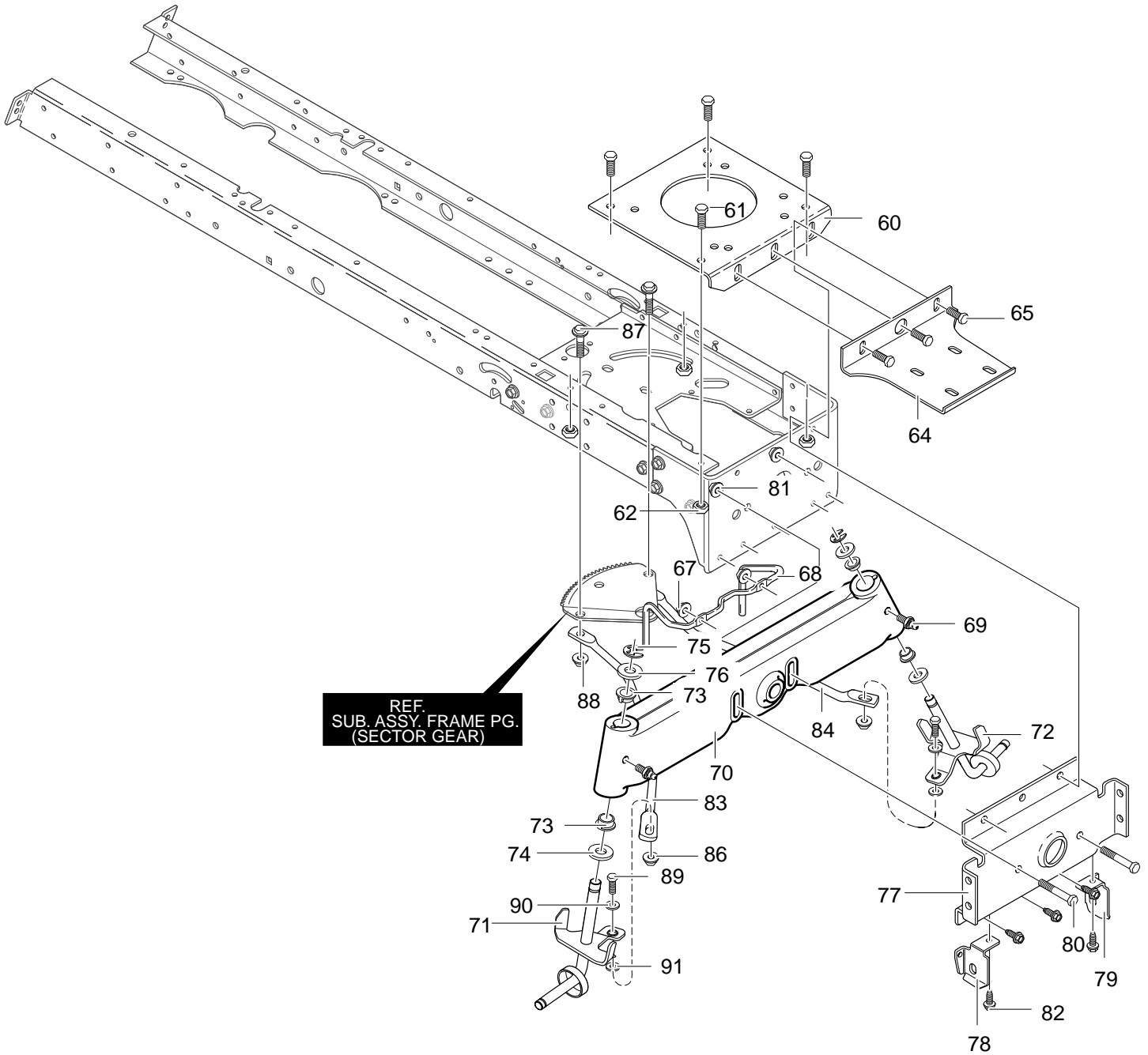


343741A

MODEL 40372x50B

REPAIR PARTS FRAME ASSEMBLY

| Key No. | Description | Part No. | Key No. | Description | Part No. |
|---------|---------------------------|----------|---------|--------------------------|----------|
| 1 | Frame, Rail RH | 94564 | 23 | Bracket, Hanger Rear | 94013 |
| 2 | Frame, Rail LH | 94565 | 24 | Screw, .312-18x.75 | 26X249 |
| 3 | Support, Seat RH | 94634 | 26 | Gear, Sector | 94121 |
| 4 | Support, Seat LH | 94633 | 27 | Bearing, Sector Gear | 94123 |
| 5 | Screw, .312-18x.75 | 26X249 | 28 | Screw, 5/16-18x1.00 | 001X84 |
| 6 | Brace, BackPlate RH | 94561 | 29 | Nut, 5/16-18 | 15X113 |
| 7 | Brace, BackPlate LH | 94562 | 30 | Clutch/Brake Pedal | 690033 |
| 8 | Screw, 5.312-18x.75 | 26X249 | 31 | Screw, .312-18x.75 | 26X249 |
| 9 | Bracket, Transaxle | 94008 | 32 | Bracket, Suspension Asm. | 94285 |
| 10 | Bracket, T/A RH-VST LH-MS | 94234 | 33 | Screw, .312-18x.75 | 26X249 |
| 11 | Asm. Idler Mount, Rear | 94236 | 34 | Brace, Rail | 94566 |
| 12 | Screw, .312-18x.75 | 26X249 | 35 | Screw, .312-18x.75 | 26X249 |
| 13 | Assy., Idler Mount, Front | 94237 | 36 | Zinc Screw Guide | 93349 |
| 14 | Screw, .312-18x.75 | 26X249 | 37 | Nut, 5/16-18 | 015X79 |
| 15 | Plate, Steering | 690551 | 38 | Bracket, Pivot | 94015 |
| 16 | Screw, .312-18x.75 | 26X249 | 39 | Washer, Flat | 845 |
| 17 | Crank, PTO | 690394 | 40 | Bolt, Shoulder 3/8-16 | 009X53 |
| 18 | Bracket, Bell Crank | 94005 | 41 | Nut, 3/8-16 | 015X84 |
| 19 | Screw, .312-18x.75 | 26X249 | 43 | Bracket, Seat Deck LH | 690036 |
| 20 | Washer, Flat | 120395 | 44 | Screw, .312-18x.75 | 26x249 |
| 21 | Bracket, Seat Deck RH | 690035 | 45 | Nut, .32-18 Flangelock | 015x79 |



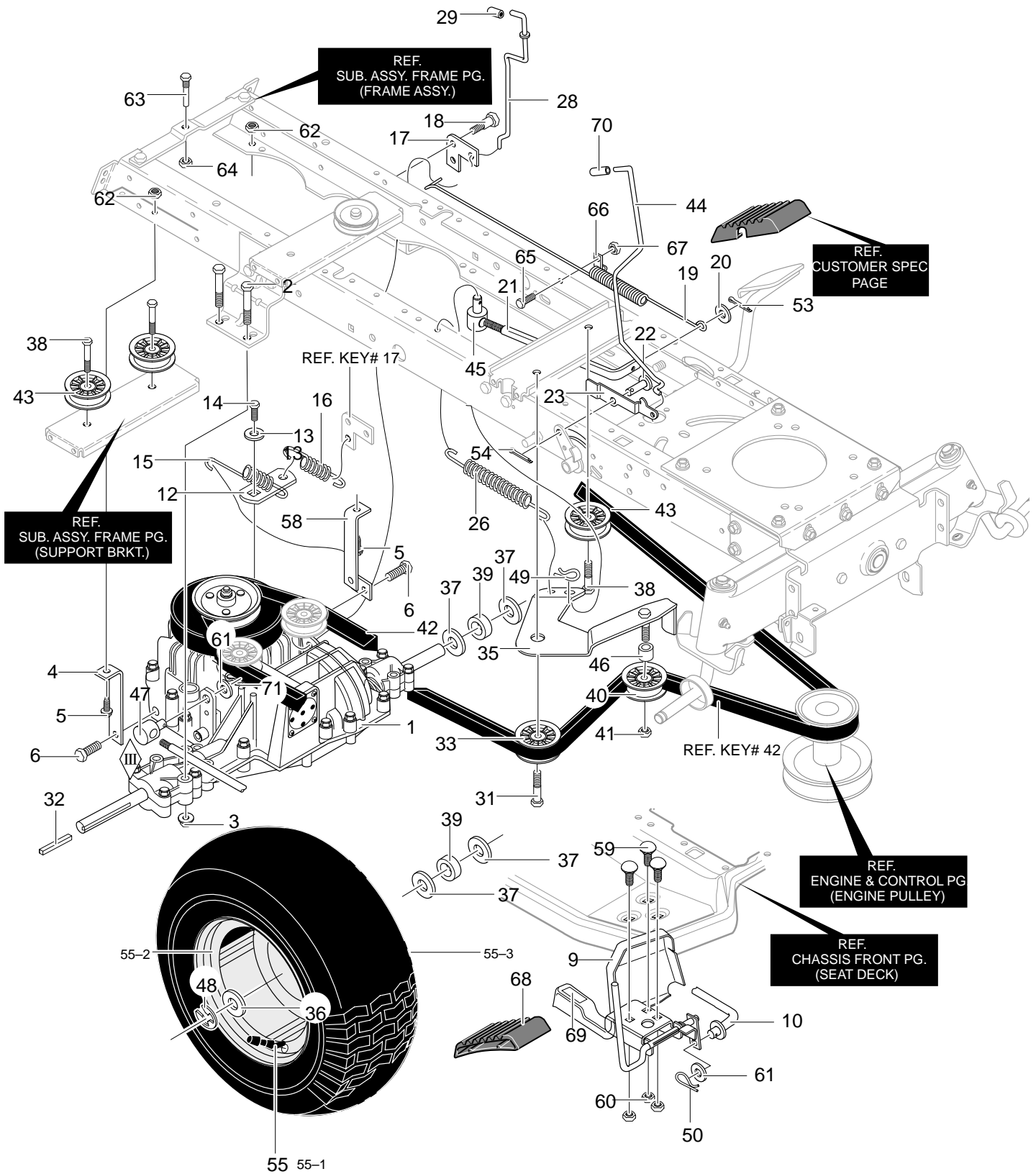
MODEL 40372x50B

REPAIR PARTS FRAME ASSEMBLY

| Key No. | Description | Part No. | Key No. | Description | Part No. |
|----------------|-------------------------|-----------------|----------------|---------------------|-----------------|
| 60 | Engine Plate | 94006 | 77 | Hanger, Axle | 94007 |
| 61 | Screw, .312-18x.75 | 26X249 | 78 | Hanger, Deck RH | 690199 |
| 62 | Nut, 5/16-18 | 015X88 | 79 | Hanger, Deck LH | 690198 |
| 64 | Bracket, Muffler Mount | 94306 | 80 | Screw, 5/16-18x3.00 | 180113 |
| 65 | Screw, .312-18x.75 | 26X249 | 81 | Nut, 5/16-18 | 015X88 |
| 67 | Nut, 5/16-18 | 45174 | 82 | Screw, .312-18x.75 | 26X249 |
| 68 | Guide-Stack Pulley Belt | 94310 | 83 | Drag Link, RH | 95328 |
| 69 | Zerk, Grease | 706 | 84 | Drag Link, LH | 95329 |
| 70 | Axle, Cast Machined | 95405 | 86 | Nut, 3/8-16 | 015X84 |
| 71 | Spindle, Long RH | 95182 | 87 | Shoulder Bolt | 9X57 |
| 72 | Spindle, Long LH | 95183 | 88 | Nut, 3/8-16 | 015X84 |
| 73 | Bearing, Spindle | 92527 | 89 | Screw, 3/8-16x1.50 | 01X111 |
| 74 | Washer, .766IDx1.62ID | 17X113 | 90 | Flatwasher | 17X104 |
| 75 | E-Ring | 0011X3 | 91 | Flatwasher | 017X53 |
| 76 | Washer, Flat | 17X195 | | | |

MODEL 40372x50B

REPAIR PARTS MOTION DRIVE



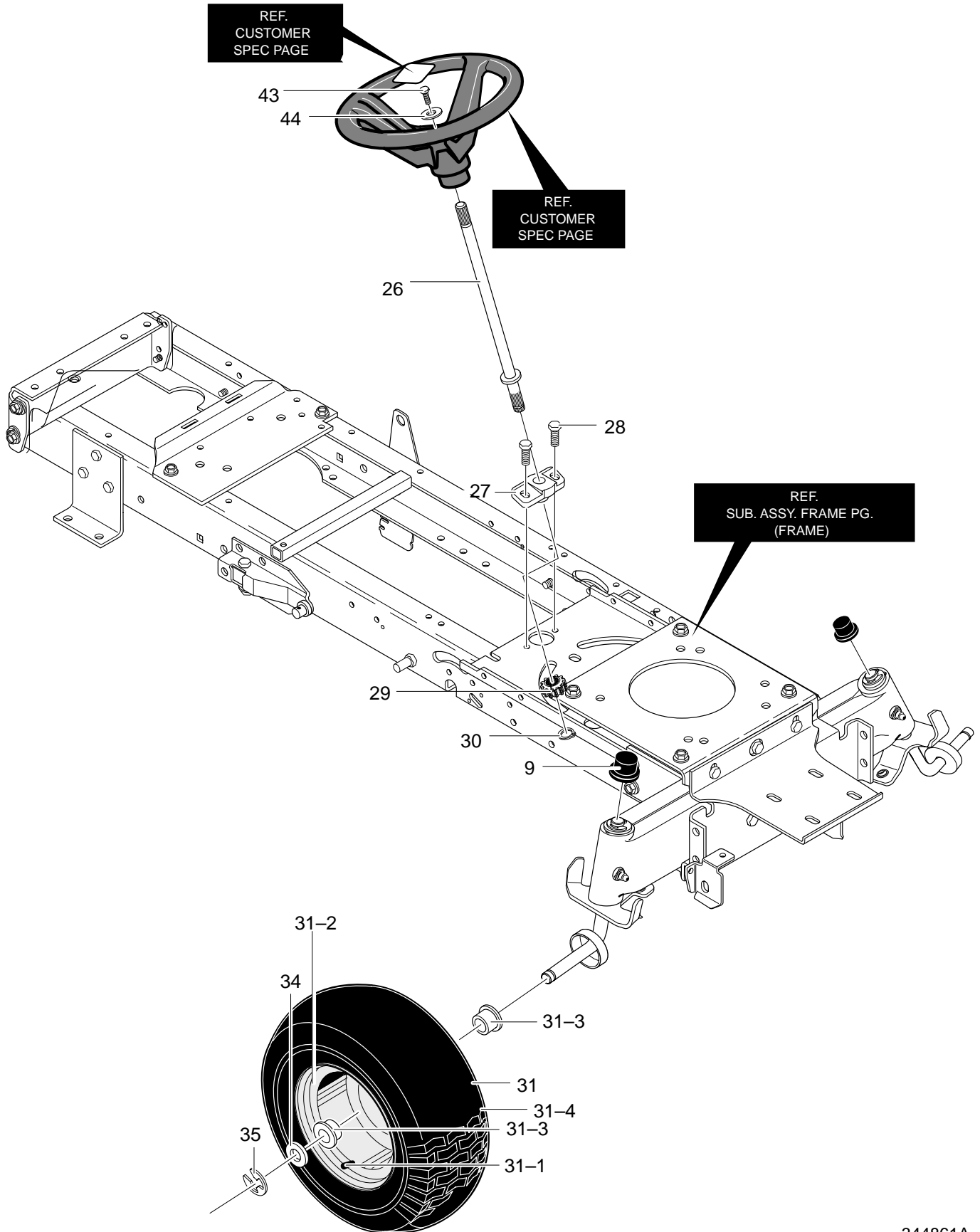
MODEL 40372x50B

REPAIR PARTS MOTION DRIVE

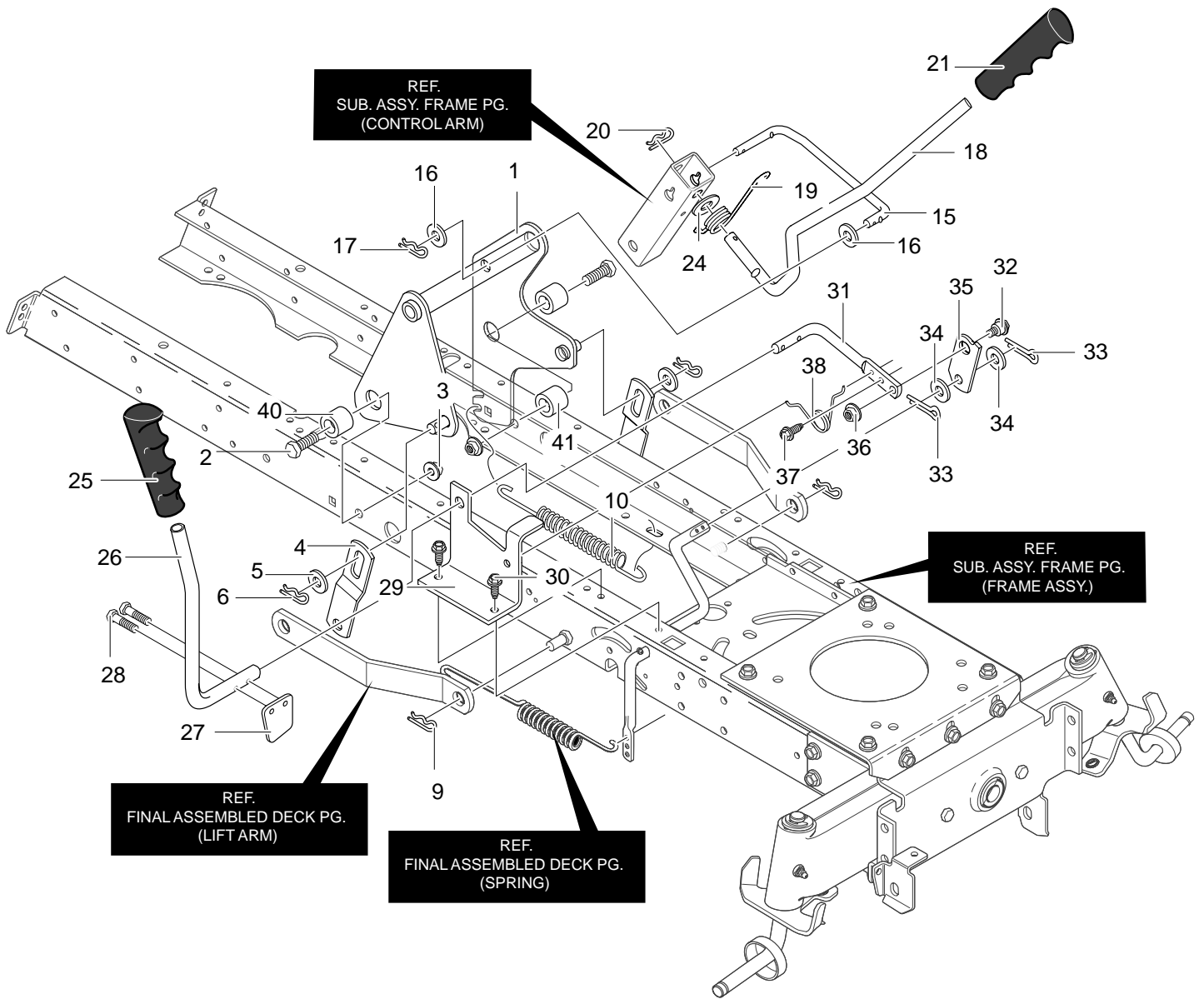
| Key No. | Description | Part No. | Key No. | Description | Part No. |
|---------|------------------------------|------------|---------|-----------------------------|-----------|
| 1 | Transaxle, VST205 | * | 41 | Nut, 3/8-16 | 711920 |
| 2 | Screw, 5/16-18X2.50 | 711669 | 42 | Belt, V 4L 112.75 | 94609 |
| 3 | Nut, 5/16-18 | 711634 | 43 | Pulley, Idler | 95531 |
| 4 | Bracket, Stabilizer Hydro | 94224-821 | 44 | Park Brake Rod | 690046 |
| 5 | Screw, 5/16-18x1.00 | 711893 | 45 | Nut, 5/16-18 Adjusting | 711898 |
| 6 | Screw, 5/16-18x.75 | 710268 | 46 | Spacer | 690369 |
| 9 | Pedal Assy. Hydro | 690134-821 | 47 | Adjust Nut, 1/2-13 | 711594 |
| 10 | Rod, Foot Control | 690018 | 48 | E-Ring | 710103 |
| 12 | Bracket, Shift | 323212 | 49 | Pin, Hair | 711659 |
| 13 | Washer, Transaxle | 711895 | 50 | Pin, Hair | 711676 |
| 14 | Screw, 1/4-28x.750 | 710345 | 53 | Pin, Cotter | 71081 |
| 15 | Spring, Transaxle Disconnect | 94622 | 54 | Pin, Cotter | 71081 |
| 16 | Spring | 326780 | 55 | Tire & Rim | 692511 |
| 17 | Bracket, Disconnect Lever | 94621-821 | 55-1 | Valve Stem | 338512 |
| 18 | Bolt, HSH 5/16-18 | 711896 | 55-2 | Rim | 338524 |
| 19 | Spring, Brake | 95424 | 55-3 | Tire | 338525 |
| 20 | Washer, Flat | 711921 | 58 | Bracket, Stabilizer Assy. | 94225-821 |
| 21 | Rod, Clutch | 690016 | 59 | Bolt, 5/16-18x.75 Carr. | 711688 |
| 22 | Pin, Clevis | 711903 | 60 | Nut, 5/16-18 Hexwdfllk Whiz | 710026 |
| 23 | Latch, Park Brake | 95290 | 61 | Flatwasher | 711894 |
| 26 | Spring, Tension | 711522 | 62 | Nut, 1/4-20 | 710026 |
| 28 | Rod, Disconnect | 690015 | 63 | Screw Guide | 711745 |
| 29 | Grip, Hydro Disconnect | 690032 | 64 | Nut, 5/16-18 Hexwdfllk | 710026 |
| 31 | Screw, 3/8-16x1.25 | 711905 | 65 | Screw, 1/4-20x.50 | 313686 |
| 32 | Key, Square | 52928 | 66 | Retainer, Wire | 711742 |
| 33 | Pulley, Idler | 95531 | 67 | Nut, 1/4-20 Wdfllwhiz-lk | 780285 |
| 35 | Assy, Idler Arm Traction | 94238-821 | 68 | Pad, Speed Control Pedal | 94516 |
| 36 | Washer, Flat | 711758 | 69 | Pad, Toe Sandpaper | 93249 |
| 37 | Washer, Flat | 711904 | 70 | Cap, Dump Valve Rod | 335980 |
| 38 | Screw, 3/8-16x1.25 | 711905 | 71 | Hair Pin | 711682 |
| 39 | Spacer | 95274 | | Hubcap | 94618 |
| 40 | Pulley, Idler | 690409 | | | |

* Contact your nearest transaxle dealer for parts and service.

For information on Replacement Parts see the Central Parts Distributor in your area.



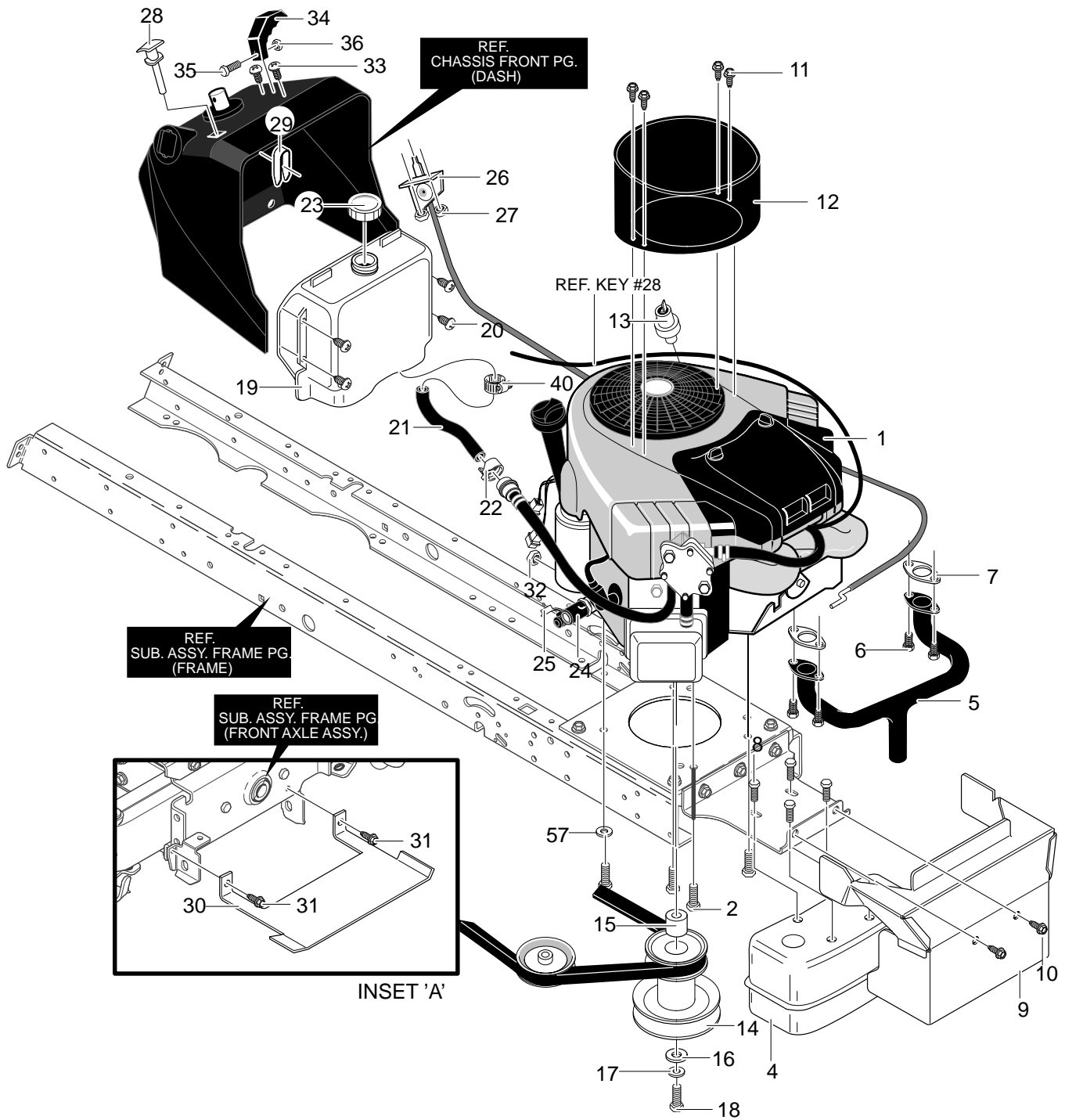
| Key No. | Description | Part No. |
|--------------------|--------------------|---------------------|
| 9 | Dust Hb Cap | 94618 |
| 26 | Shaft, Steering | 94520 |
| 27 | Bearing—Lower | 94124 |
| 28 | Screw, 5/16—18x.75 | 711606 |
| 29 | Gear, Pinion | 94122 |
| 30 | Retaining Ring | 710102 |
| 31 | Tire & Rim | 692641 |
| 31-1 | Valve Stem | 338512 |
| 31-2 | Rim | 338517 |
| 31-3 | Bearing | 338513 |
| 31-4 | Tire | 338514 |
| 34 | Flatwasher | 711758 |
| 35 | E—Ring | 710103 |
| 43 | Screw, 1/4—20x.75 | 711719 |
| 44 | Flatwasher | 711663 |
| — | Hub Cap | 94618 |



MODEL 40372x50B

REPAIR PARTS MOWER SUSPENSION ASSEMBLY

| Key No. | Description | Part No. | Key No. | Description | Part No. |
|---------|--------------------|-----------|---------|-----------------------|-----------|
| 1 | Assembly, Lift Arm | 95233-821 | 25 | Grip | 94505 |
| 2 | Screw, 1/2-13x1.50 | 711917 | 26 | PTO Handle | 690126 |
| 3 | Nut, 1/2-13 Lock | 711918 | 27 | Paddle, Switch | 95284 |
| 4 | Bracket, Lift Link | 94262-821 | 28 | Screw, Thread Form | 711621 |
| 5 | Washer, Flat | 711617 | 29 | Bracket, PTO | 94018-821 |
| 6 | Hair Pin | 711676 | 30 | Screw, 5/16-18x.50 | 780055 |
| 9 | Hair Pin | 711676 | 31 | Lever, PTO | 95283 |
| 10 | Spring, Extension | 710235 | 32 | Bolt, Shoulder 3/8-16 | 711613 |
| 15 | Link-Lift Handle | 711981 | 33 | Hair Pin | 711659 |
| 16 | Washer, Flat | 711617 | 34 | Washer, Flat | 711615 |
| 17 | Hair Pin | 711676 | 35 | Link PTO | 95282 |
| 18 | Handle, Lift | 690532 | 36 | Nut, 3/8-16 | 711622 |
| 19 | Torsion Spring | 710111 | 37 | Screw 5/16-18x.75 | 711606 |
| 20 | Hair Pin | 711676 | 38 | Torsion Spring | 710141 |
| 21 | Grip, Lift | 94506 | 40 | Spacer | 94309 |
| 24 | Washer, Flat | 711616 | 41 | Spacer, Sleeve | 56150 |



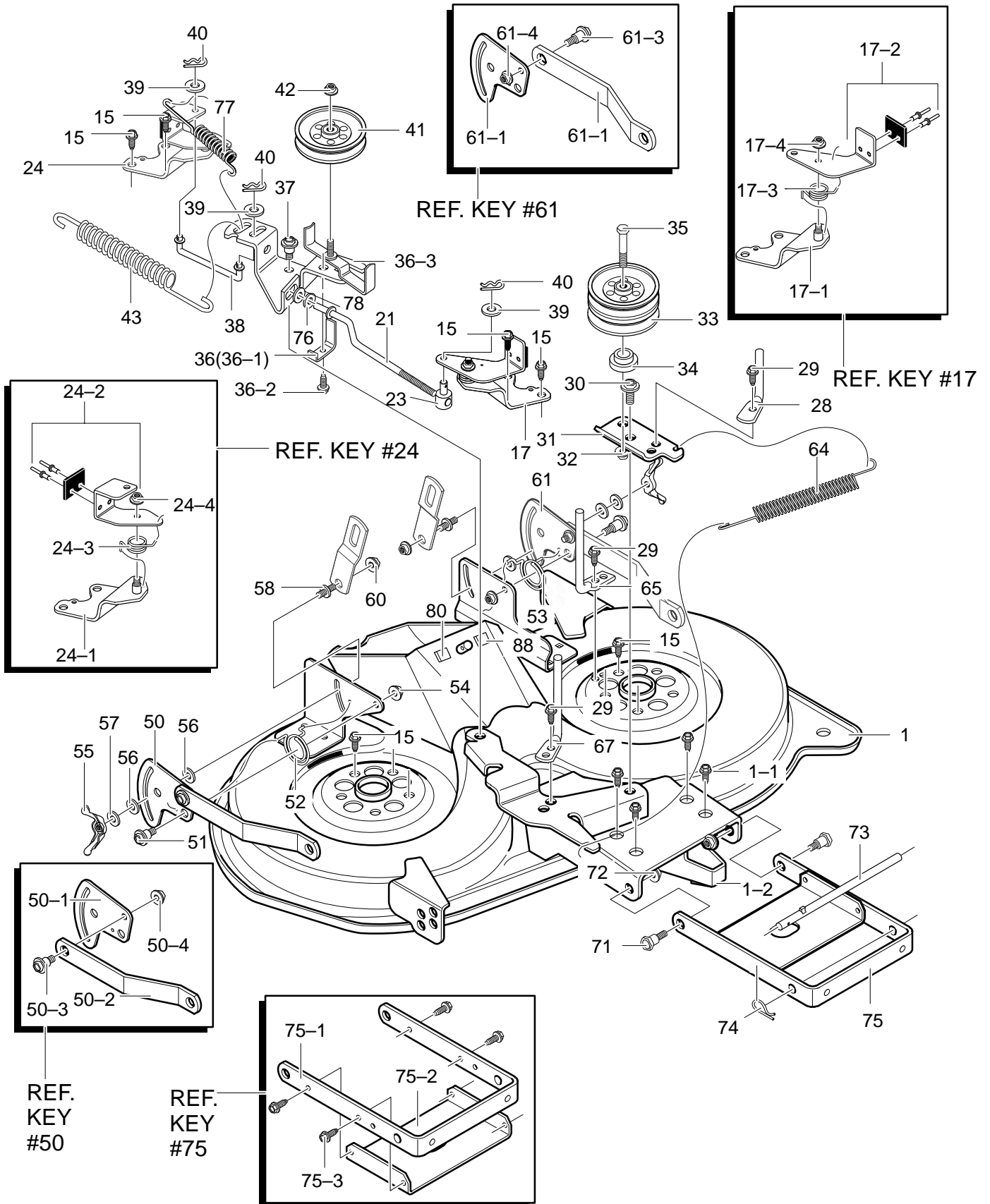
MODEL 40372x50B

REPAIR PARTS ENGINE AND CONTROL ASSEMBLY

| Key No. | Description | Part No. | Key No. | Description | Part No. |
|---------|--------------------------|-----------|---------|----------------------------|-----------|
| 1 | 18HP (See Engine Manual) | Engine | 20 | Screw, #12x.50 | 711741 |
| — | Clip, Speed | 94951 | 21 | Tubing, Gas Line 14 Inches | 50118 |
| 2 | Screw, 3/8–16x1.25 | 710199 | 22 | Clamp, Fuel Line Yellow | 336890 |
| 4 | Muffler, Twin Cylinder | 94655 | 23 | Gas Cap 2.0 Throat | 690615 |
| 5 | Exhaust Tube | 95204 | 24 | Oil Drain Valve Assembly | 325547 |
| 6 | Screw (B/S #94755) | 711852 | 25 | Cap, Oil Drain Valve Assy. | 327422 |
| 7 | B/S Exhaust Gasket | 711851 | 26 | Throttle Control | 309407 |
| 8 | Screw, 1/4–20x.63 | 711642 | 27 | Nut, #10–24 Hxhdnylk | 711754 |
| 9 | Weld, Assy. Shield | 94335–821 | 28 | Choke | 94891 |
| 10 | Screw, 5/16–18x.75 | 711606 | 29 | Clip, Choke Control | 314522 |
| 11 | Screw, #8–16x.38 | 711637 | 30 | Shield, Anti-Dehydration | 95192–821 |
| 12 | Plenum | 95012 | 31 | Screw, 5/16–18x.75 | 711606 |
| 13 | Oil Sensor | 314797 | 32 | Nut, 1/4–20 Reghexjam | 711601 |
| 14 | Stack Pulley Assy. | 690456 | 33 | Screw, 10–24x.63 | 711755 |
| 15 | Spacer, Sleeve | 93077 | 34 | Knob, Throttle Control | 94931 |
| 16 | Flatwasher | 710247 | 35 | Screw, #8–32x.38 | 711750 |
| 17 | Washer, Regsptlk | 120383 | 36 | Nut, #8–32 Reghex | 711748 |
| 18 | Bolt, 7/16–20x1.75 | 1x169 | 40 | Clamp, Hose Screw Type | 47345 |
| 19 | Fuel Tank 2 Gal. | 314991 | 57 | Washer, Exlk | 711668 |

MODEL 40372x50B

REPAIR PARTS DECK ASSEMBLY



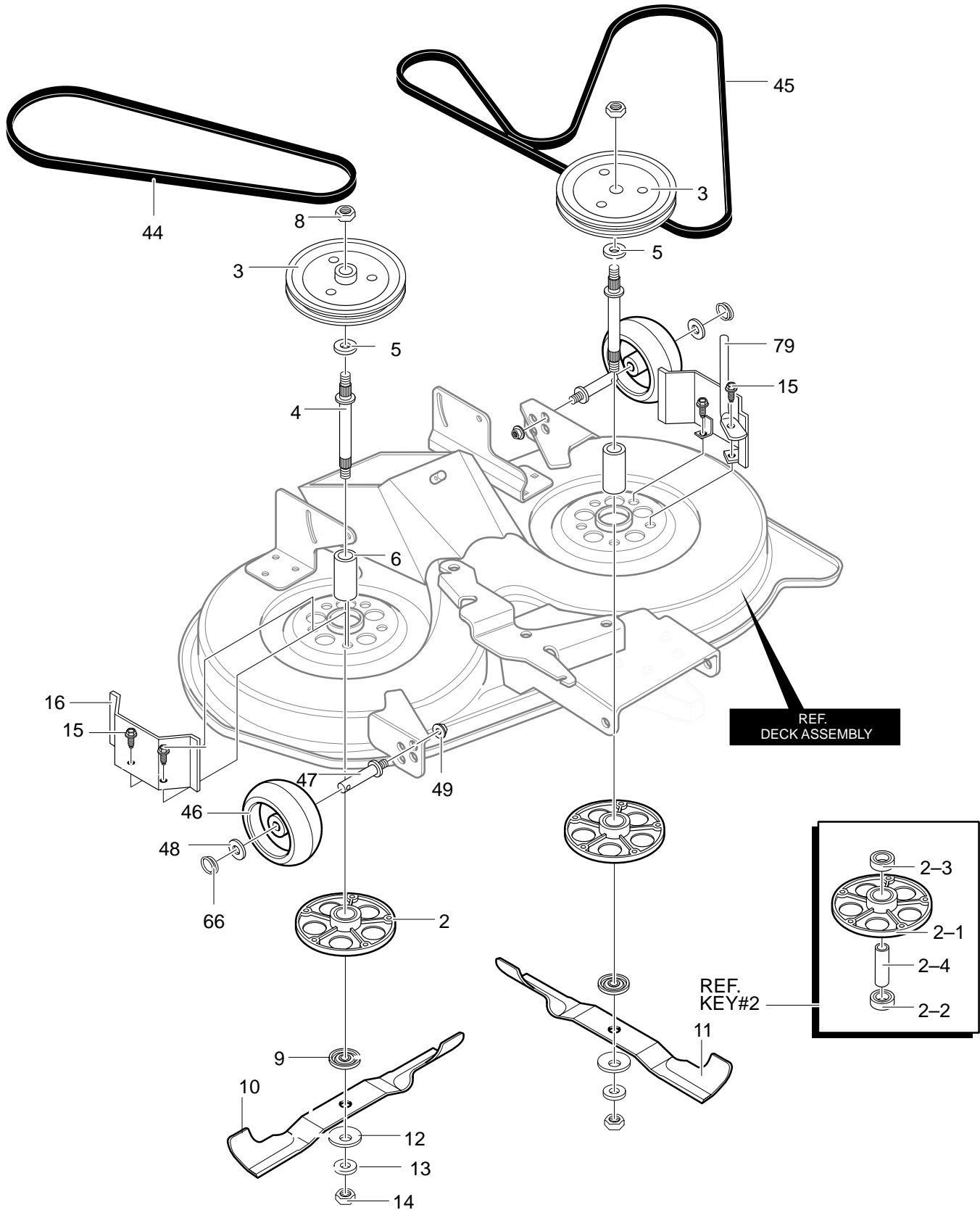
MODEL 40372x50B

REPAIR PARTS DECK ASSEMBLY

| Key No. | Description | Part No. | Key No. | Description | Part No. |
|---------|-----------------------------|------------|---------|---------------------------------|------------|
| 1 | Housing, 40" Deck | 690109-821 | 50-2 | Suspension Bracket Rear | 94055 |
| 1-1 | Screw, 5/16-18x.75 | 710079 | 50-3 | Bolt, Shoulder | 710095 |
| 1-2 | Bracket, Center Strip | 690031 | 50-4 | Nut, 3/8-16 | 710140 |
| 17 | Brake Arm Assembly LH | 94665-821 | 51 | Bolt, Shoulder | 711611 |
| 17-1 | Brake Support Assembly LH | 94293 | 52 | Spring, Torsion RH | 710112 |
| 17-2 | Brake Arm | 94291 | 53 | Spring, Torsion LH | 710113 |
| 17-3 | Spring, Torsion | 710110 | 54 | Nut, 3/8-16 | 711622 |
| 17-4 | Nut, 5/16-18 | 710205 | 55 | Wingnut, 5/16-18 | 711600 |
| 21 | Link, Brake LH | 690021 | 56 | Pad, Friction | 94137 |
| 23 | Nut, Adjusting | 711591 | 57 | Washer | 711628 |
| 24 | Brake Arm Assembly RH | 94664-821 | 58 | Pin, Hanger | 711595 |
| 24-1 | Brake Support RH | 94294 | 60 | Nut, 3/8-16 | 711622 |
| 24-2 | Brake Arm RH | 94292 | 61 | Assy., Plate Rear Sus Brkt., LH | 690159-821 |
| 24-3 | Spring, Torsion | 710077 | 61-1 | Plate-Suspension | 94128 |
| 24-4 | Nut, 5/16-18 | 710205 | 61-2 | Suspension Bracket, Rear | 94055 |
| 28 | Belt Guide | 711912 | 61-3 | Bolt, Shoulder | 710095 |
| 29 | Screw, 5/16-18x.50 | 780055 | 61-4 | Nut, 3/8-16 | 710140 |
| 30 | Bolt, Shoulder | 711613 | 64 | Spring, Extension | 710233 |
| 31 | Arm, Double Idler | 94261-821 | 65 | Belt Guide | 711913 |
| 32 | Nut, 3/8-16 | 711622 | 67 | Belt Guide | 690030 |
| 33 | Pulley, Idler Double Vee | 94279 | 71 | Shoulder Bolt | 711611 |
| 34 | Spacer | 94269 | 72 | Nut, 3/8-16 | 711622 |
| 35 | Screw, 3/8-16x3.00 | 711915 | 73 | Rod, Hanger | 95295 |
| 36 | Idler Arm Assembly | 94973-821 | 74 | Hair Pin | 711676 |
| 36-1 | Spring,-Belt Guide | 94312 | 75 | Assembly, Bracket & Stiffener | 690058-821 |
| 36-2 | Screw, 1/4-20x.50 | 710264 | 75-1 | Bracket, Front Suspension | 94058 |
| 36-3 | Idler Arm | 94298 | 75-2 | Stiffener | 95057 |
| 37 | Bolt, Shoulder | 711613 | 75-3 | Screw, 5/16-18x.75 | 710079 |
| 38 | Link, Brake RH | 690023 | 76 | Flatwasher | 583409 |
| 39 | Washer, Flat | 712480 | 77 | Spring, Extension | 710658 |
| 40 | Hair Pin | 711682 | 78 | Washer, Flat | 712480 |
| 41 | Pulley, Idler | 690024 | 80 | Pad, Adhesive | 318197 |
| 42 | Nut, 3/8-16 | 711622 | | | |
| 43 | Spring, Extension | 710234 | | | |
| 50 | Assy, Plate,Rear Sus Bkt RH | 690158-821 | | | |
| 50-1 | Plate-Suspension | 94128 | | | |

MODEL 40372x50B

REPAIR PARTS DECK ASSEMBLY



MODEL 40372x50B

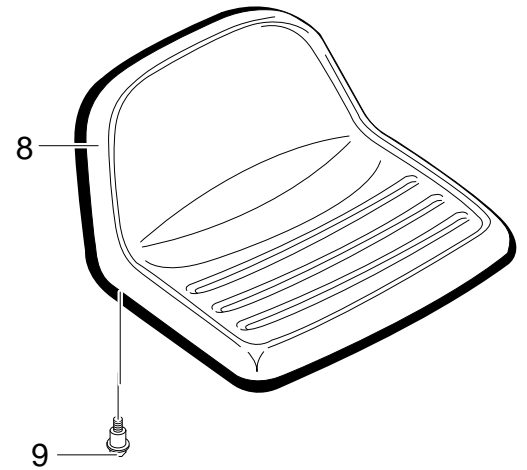
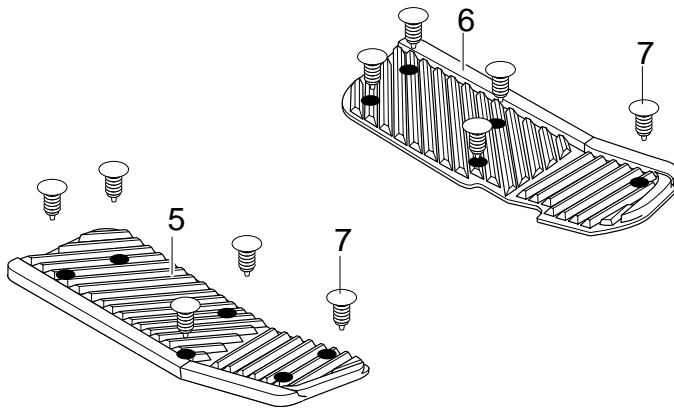
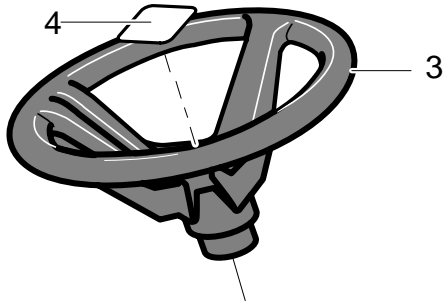
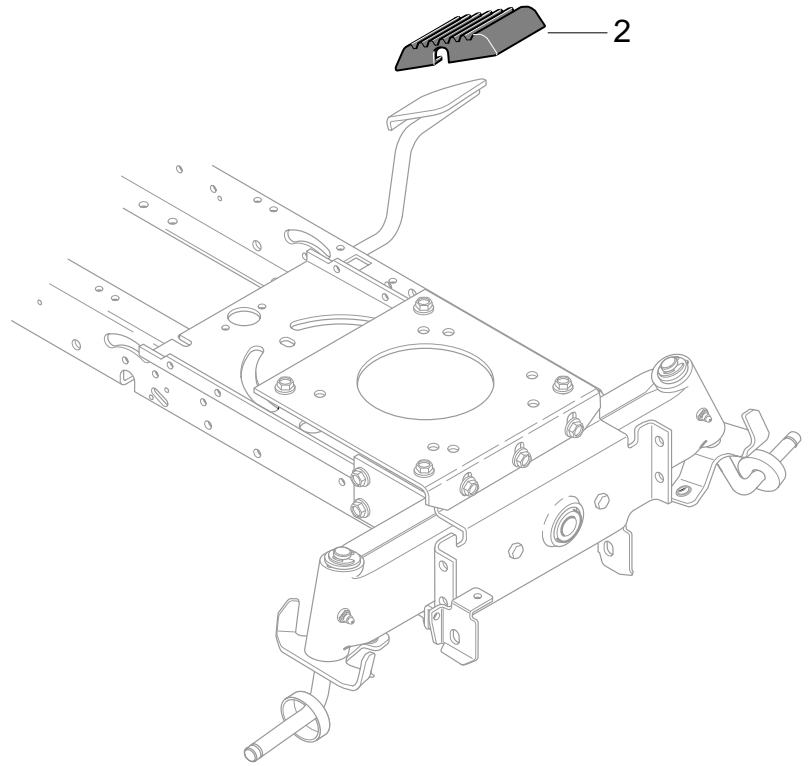
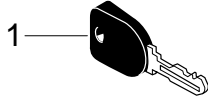
REPAIR PARTS DECK ASSEMBLY

| Key No. | Description | Part No. | Key No. | Description | Part No. |
|----------------|-----------------------------|-----------------|----------------|--------------------|-----------------|
| 2 | Assembly, Jackshaft Housing | 94305 | 12 | Washer, Bellville | 710118 |
| 2-1 | Housing, Jackshaft | 94282 | 13 | Flatwasher | 710117 |
| 2-2 | Bearing, Lower Jackshaft | 92282 | 14 | Nut, 9/16-18 | 711910 |
| 2-3 | Bearing, Upper Jackshaft | 92281 | 15 | Screw, 3/8-16x1.00 | 711911 |
| 2-4 | Spacer | 90904 | 16 | Pulley Cover | 94288-821 |
| 3 | Pulley, Deck | 690020 | 44 | Belt, V 46.5LG | 710231 |
| 4 | Jackshaft | 91922 | 45 | Belt, Deck | 690071 |
| 5 | Flatwasher | 710117 | 46 | Gauge Wheel | 92683 |
| 6 | Spacer | 91903 | 47 | Shoulder Bolt | 711746 |
| 8 | Nut, 9/16-18 | 711910 | 48 | Flatwasher | 711615 |
| 9 | Adapter, Deck | 94207 | 49 | Nut, 3/8-16 | 711622 |
| 10 | Blade, LH | 690499 | 66 | Circle Pin | 711764 |
| 11 | Blade, RH | 690500 | 79 | Rod, Belt Guide | 95280 |

MODEL 40372x50B

REPAIR PARTS ELECTRICAL ASSEMBLY

| Key No. | Description | Part No. | Key No. | Description | Part No. |
|---------|--------------------------------|----------|---------|--------------------------------|----------|
| 1 | Wire Harness | 95377 | 14 | Screw 1/4x.50 | 711619 |
| 2 | Indicator Harness | 690610 | 15 | Nut, 1/4-20 | 711632 |
| 3 | Rear Harness | 95381 | 16 | Ground Wire | 95420 |
| 4 | Wire Harness for Headlights | 94103 | 17 | Screw, 1/4x.50 | 711619 |
| 5 | Bulb, Headlamp | 52572 | 18 | Seat Switch | 94159 |
| 6 | Cable Tie | 57444 | 19 | Battery 6 Plate | 92693 |
| 7 | Wire Clip, Adhesive | 55939 | 20 | Bolt, 1/4-20x.63 | 711680 |
| 8 | Switch, Ignition | 94762 | 21 | Wing Nut | 711636 |
| 10 | Assy, Switch Double Pole Delta | 690106 | 22 | Battery Boot | 335417 |
| 10-1 | Switch, Double | 320082 | 25 | Flatwasher | 711666 |
| 10-2 | Boot, Switch | 690074 | 27 | Tape Switch | 95330 |
| 10-3 | Switch Cap | 690075 | 28 | Buzzer, For Bag Full | 95391 |
| 11 | Bulb, Indicator | 57769 | 29 | Wire, Lead Solenoid to Starter | 711579 |
| 12 | Switch, Limit | 94136 | | 15 Amp Fuse | 302031 |
| 13 | Solenoid | 94613 | | | |



| Key No. | Description | Part No. |
|----------------|---------------------------|-----------------|
| 1 | Ignition Key | 327350 |
| 2 | Cover, Pedal Brake/Clutch | 94630 |
| 3 | Steering Wheel | 95184 |
| 4 | Insert, 4-Spoke | 711325 |
| 5 | Footrest Pad RH | 95438 |
| 6 | Footrest Pad LH | 95437 |
| 7 | Ratchet Faastener | 311087 |
| 8 | Seat | 95444 |
| 9 | Shoulder Bolt 5/16-18 | 711654 |