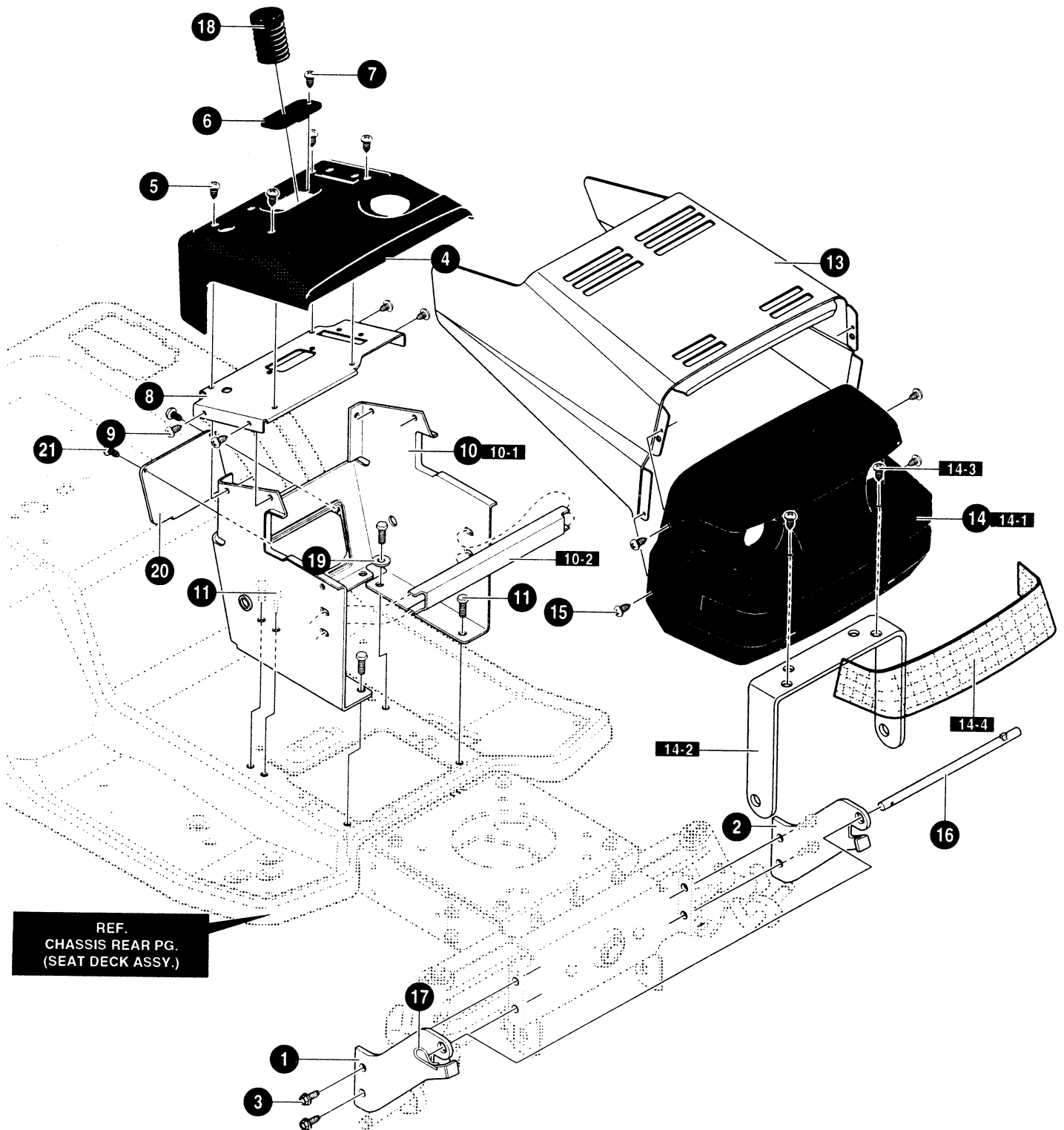


MODEL 40320x88 (VRO4013TRX)

REPAIR PARTS CONSOLE & HOOD



MODEL 40320x88 (VRO4013TRX)

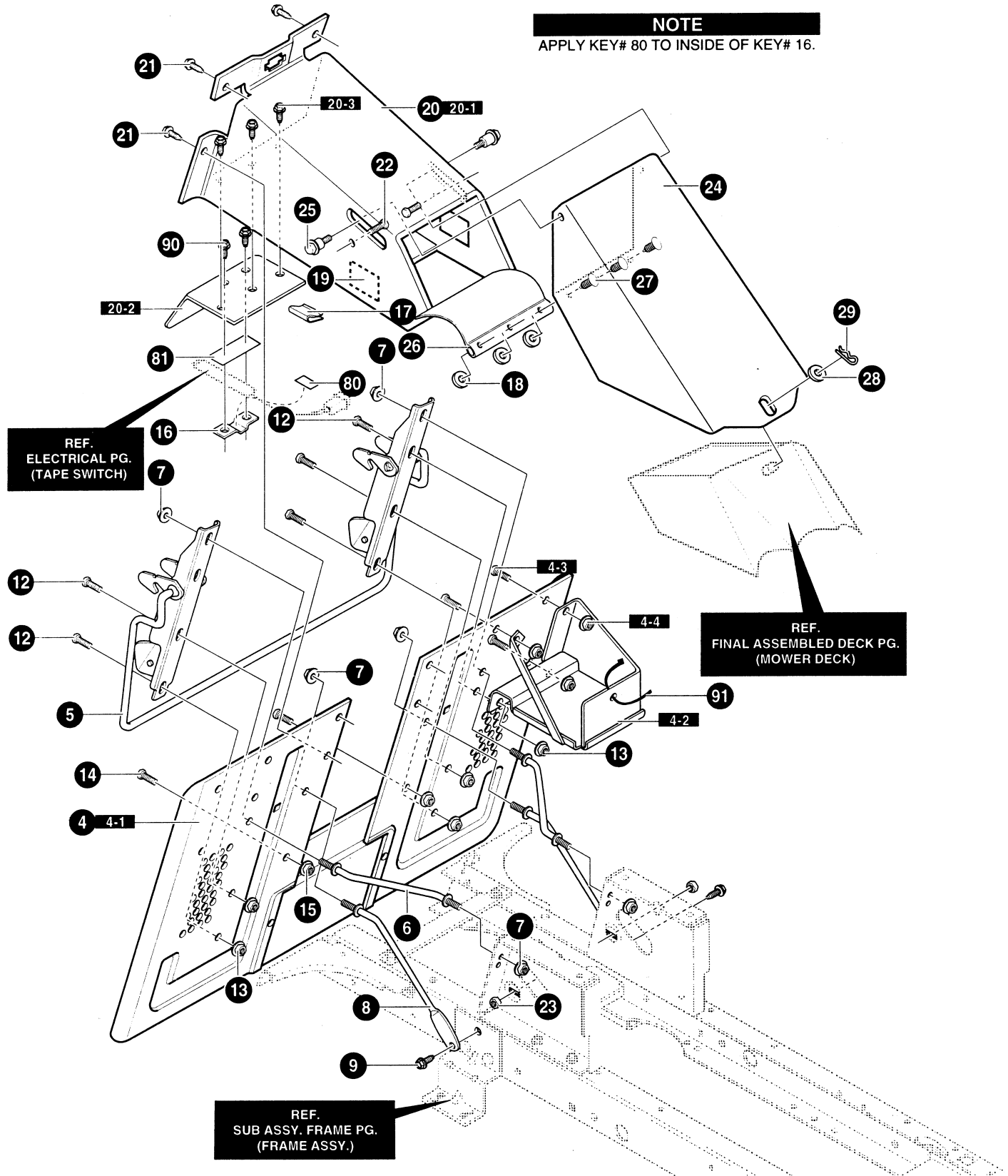
REPAIR PARTS CONSOLE & HOOD

KEY NO.	PART NO.	DESCRIPTION	QTY
1	94212-853	SUPPORT BRACKET RH	1
2	94213-853	SUPPORT BRACKET LH	1
3	711606	SCREW, 5/16-18X.75	4
4	94842	DASH	1
5	711629	SCREW, 10-24X.50	4
6	94214	BEARING	1
7	710197	SCREW, 1/4-14X.50	2
8	94211-848	PLATE, DASH PANEL	1
9	711629	SCREW, 10-24 X.50	6
10	690104-848	LOWER CONSOLE	1
10-1	95323	SUPPORT, DASH	1
10-2	94215	SUPPORT, CHANNEL	1
11	711606	SCREW, 5/16-18 X.75	4
13	94972-848	HOOD	1
14	92367	GRILLE ASSY.	1
14-1	92368	GRILLE	1
14-2	92448	BRACE	1
14-3	710282	SCREW, 1/4-14 X.75	2
14-4	92369	LENS	1
15	711679	SCREW, PAN TAP	4
16	690093	ROD, HOOD PIVOT	1
17	711676	HAIR PIN	1
18	94313	BELLOW	1
19	712063	WASHER, BELLVILLE	1
20	95366-848	ACCESS PANEL	1
21	710196	SCREW, 10-24 X.50	2
	F-99853J	OWNER'S MANUAL (NOT SHOWN)	

MODEL 40320x88 (VRO4013TRX)

REPAIR PARTS BAGGER MOUNT

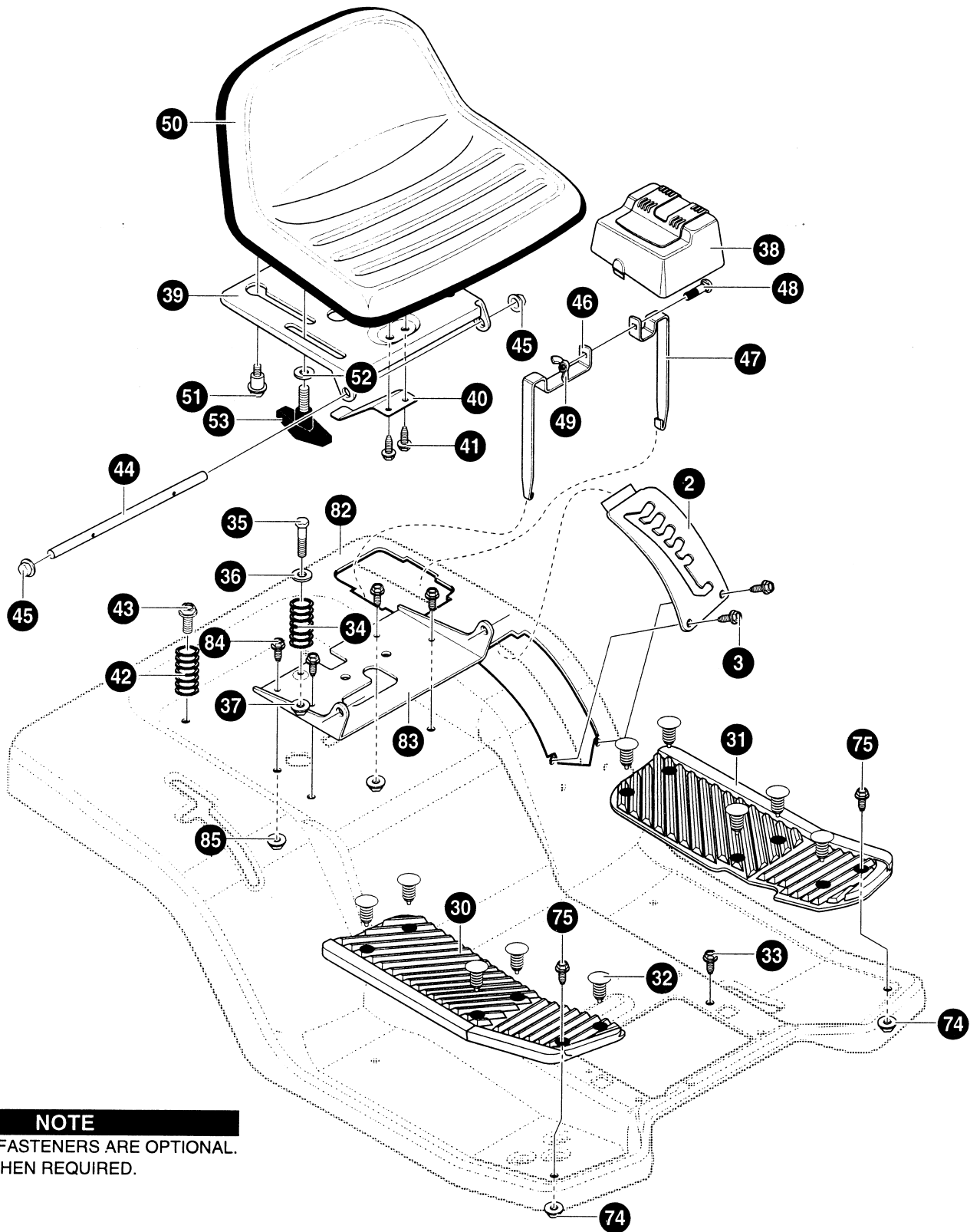
NOTE
APPLY KEY# 80 TO INSIDE OF KEY# 16.



MODEL 40320x88 (VRO4013TRX)

REPAIR PARTS BAGGER MOUNT

KEY NO.	PART NO.	DESCRIPTION	QTY
4	343678-853	ASSY, BACK PLATE/BATTERY	1
4-1	95162	ASM. BACKPLATE FLAT	1
4-2	94563	BATTERY TRAY ASM.	1
4-3	180073	SCREW, 5/16-18X.50 HHC	3
4-4	45174	NUT, 5/16-18 HEXWDFLLK WHIZ	3
5	95359-853	WELDMENT-LATCH LEVER	1
6	690097	ROD, BRACE	2
7	711906	NUT, 3/8-16 HWDFL WHIZ-LOCK	5
8	94231	ROD, BRACE	2
9	711606	SCREW, 5/16-18X.75 HHWATAP	2
12	711907	SCREW 5/16-18X.75 HXWDFL	5
13	710026	NUT, 5/16-18 HEXWDFLLK WHIZ	5
14	711606	SCREW 5/16-18X.75 HHWATAP	2
15	710026	NUT, 5/16-18 HEXWDFLLK WHIZ	2
16	95390-853	BRACKET, FLEX SWITCH MOUNTING	1
17	55939	WIRE CLIP, ADHESIVE	1
18	711666	WASHER, FLAT	3
19	318197	PAD, ADHESIVE 1.00X1.50X.12	2
20	690102-853	ASM., T/A SHIELD & UPPER CHUTE	1
20-1	94350	CHUTE WELD ASM. UPPER	1
20-2	95367	SHIELD, TRANSAXLE	1
20-3	711642	SCREW, 1/4-20X.63 HHWATAP	4
21	711606	SCREW, 5/16-18X.75 HHC	4
22	711688	BOLT, 5/16-18X.75 CARR	2
23	710026	NUT, 5/16-18 HEXWDFLLK WHIZ	2
24	94296-853	MIDDLE CHUTE ASSY	1
25	711908	BOLT, .500X.453 3/8-16	2
26	94264	FLAP, CHUTE	1
27	309235	FASTENER, RATCHET	3
28	711617	FLATWASHER .550X1.00X11	1
29	711682	PIN, HAIR .38DIAX1.64LG	1
80	712009	TAPE, DOUBLE SIDED FOAM 3/4" WD	0.560
81	712009	TAPE, DOUBLE SIDED FOAM 3/4" WD	3
90	711642	SCREW, 1/4-20X.63 HHWATAP	2
91	57444	CABLE TIE	1



NOTE
FOOTPAD & FASTENERS ARE OPTIONAL.
ONLY USE WHEN REQUIRED.

MODEL 40320x88 (VRO4013TRX)

REPAIR PARTS SEAT ASSEMBLY

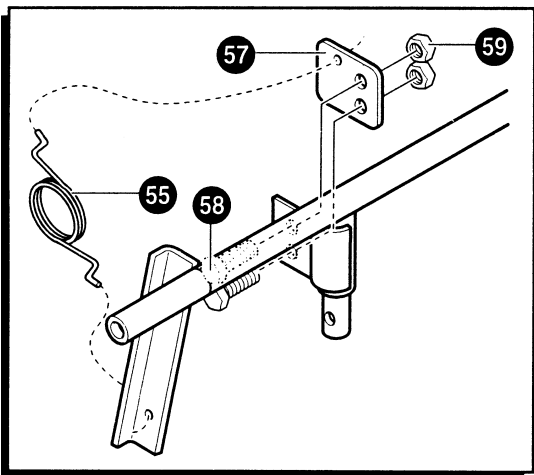
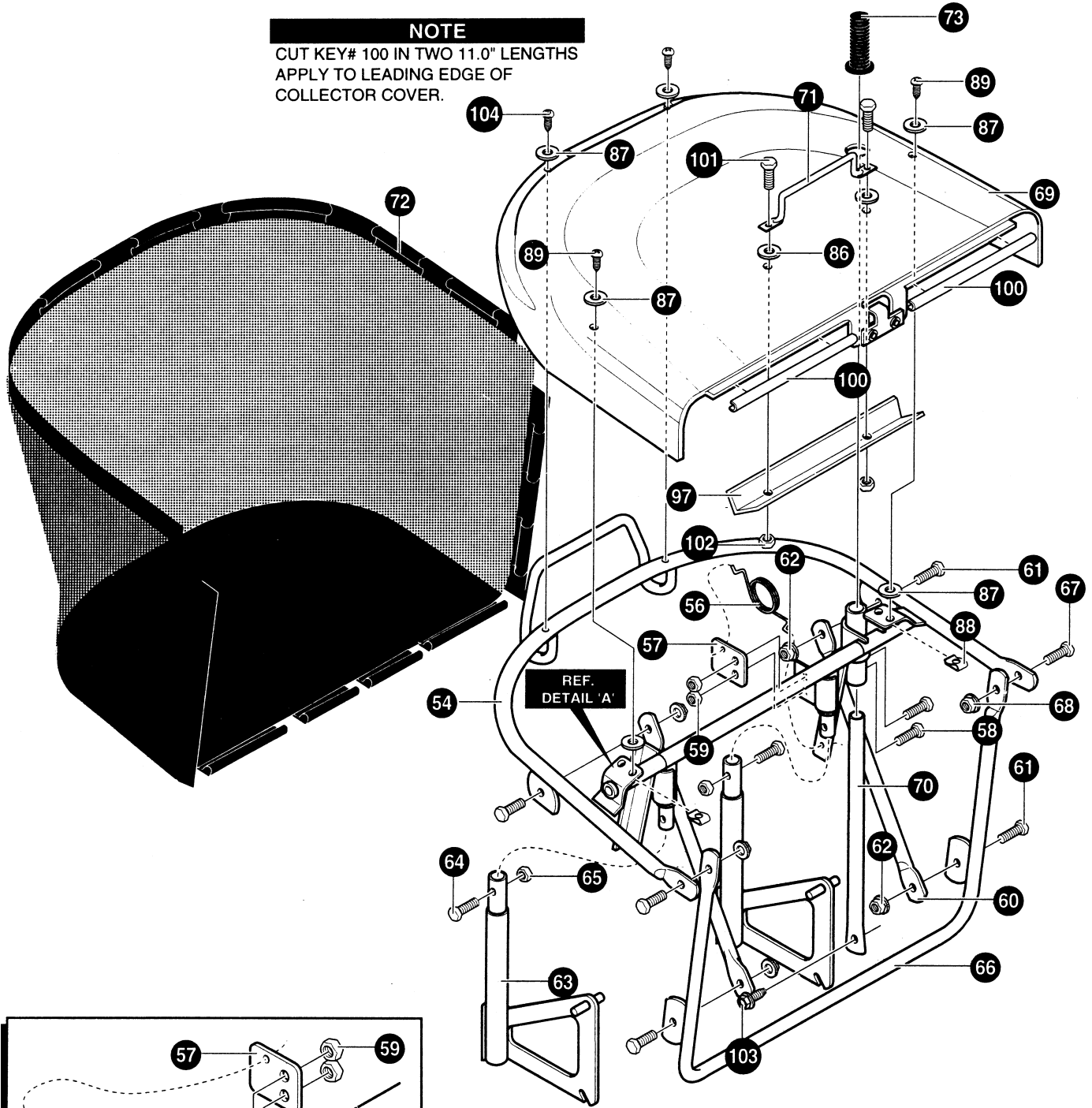
KEY NO.	PART NO.	DESCRIPTION	QTY
2	95190-853	PLATE, LIFT DETENT	1
3	711741	SCREW, #12X.50 PHPNHTAP	2
30	95409	FOOTREST PAD RH	1
31	95408	FOOTREST PAD LH	1
32	309235	RATCHET FASTENER	10
33	711606	SCREW, 5/16-18X.75HHWATAP	3
34	710136	SPRING, COMPRESSION 4.57LGX1.17	1
35	711610	BOLT, SHOULDER 1/4-20	1
36	95293	ZINC WASHER CUP	1
37	46931	NUT, 1/4-20 CNTRLK	1
38	94200	COVER, BATTERY	1
39	94154-848	SUPPORT, SEAT	1
40	94057	SPRING-LEAF	1
41	711592	SCREW, 1/4-20X.50 WAHHTAP	2
42	710109	SPRING, COMPRESSION 2.43LG 164X30	2
43	711606	SCREW, 5/16-18X.75 HHWATAP	4
44	95294	ZINC HINGE SEAT PIVOT	1
45	711627	NUT, PUSH CAP .375	2
46	95393-853	BATTERY, BRACKET L.H.	1
47	95394-853	BATTERY BRACKET R.H.	1
48	711680	BOLT, 1/4-20X.63 CARR.	1
49	711636	NUT, WING 1/4-20 14X79	1
50	95415	SEAT	1
51	711654	BOLT, SHOULDER 5/16-18	2
52	711644	WASHER, FLAT .344X.62X.06	2
53	711747	BOLT, WING 5/16-18X.50	2
74	710026	NUT, 5/16-18 HEXWDFLLK WHIZ	2
75	711891	BOLT, 5/16-18X.7A5 CARR.	2
82	341496-848	ASM., SEAT DECK PEDAL GEAR	1
83	94153-848	BRACKET, PIVOT SEAT	1
84	711606	SCREW, 5/16-18X.75 HHWATAP	4
85	711634	NUT, 5/16-18 WDFLLK	2

MODEL 40320x88 (VRO4013TRX)

REPAIR PARTS GRASS BAGGER

NOTE

CUT KEY# 100 IN TWO 11.0" LENGTHS
APPLY TO LEADING EDGE OF
COLLECTOR COVER.



NOTE

- 1.) BRACKET, KEY# 57, FOR SPRING MUST SHOW SPRING HOLE AT THE TOP.
- 2.) LEFT HAND SPRING, KEY# 56, HAS A YELLOW TIP.
- 3.) LOOK FOR THE "F" STAMP ON THE BAGGER BRACE, KEY# 97, WHICH INDICATES THE FRONT.

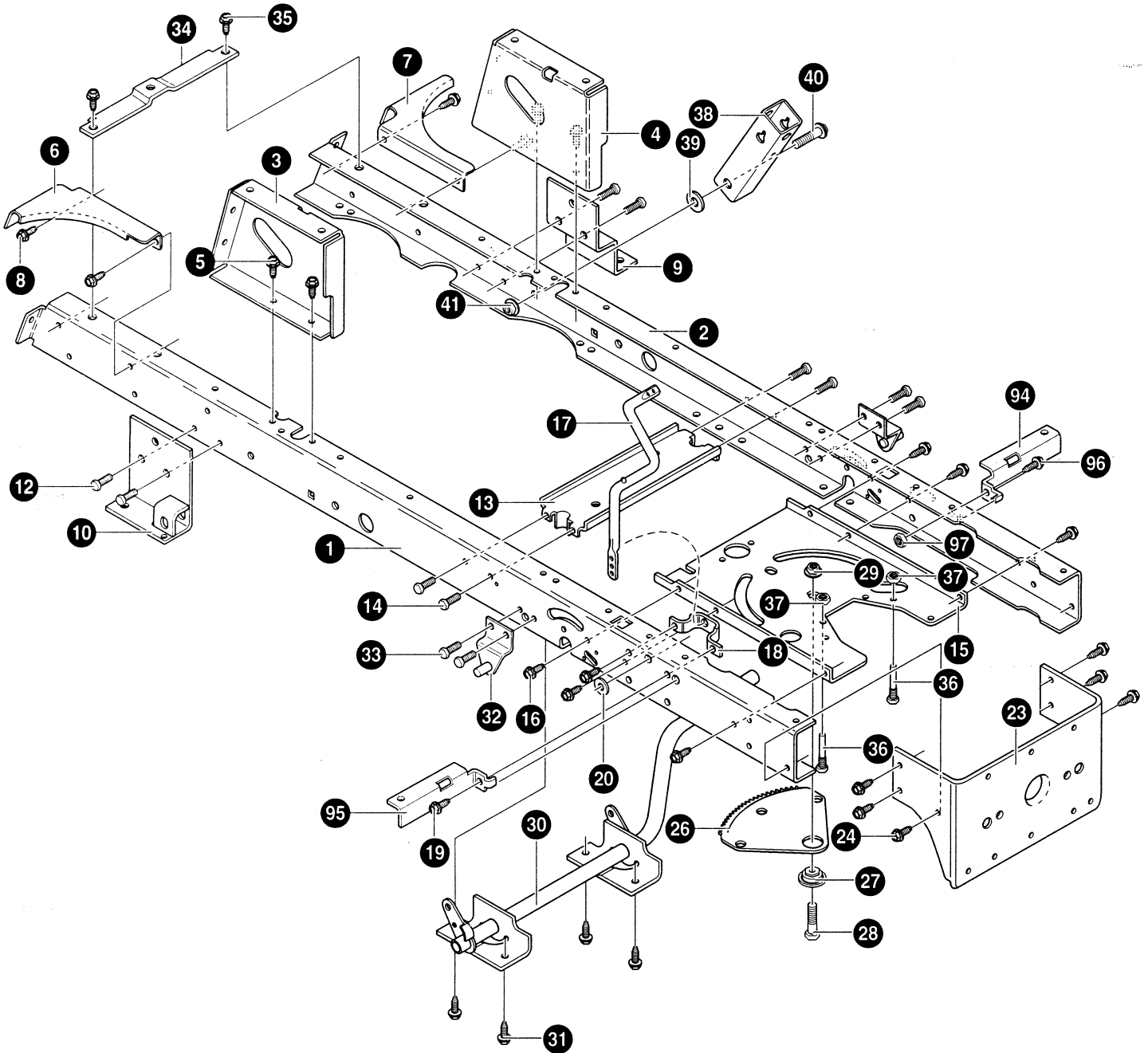
MODEL 40320x88 (VRO4013TRX)

REPAIR PARTS GRASS BAGGER

KEY NO.	PART NO.	DESCRIPTION	QTY
54	690044-853	ASM. WELD UPPER FRAME	1
55	690003	SPRING, TORSION RH	1
56	690004	SPRING, TORSION LH	1
57	95339-853	BRACKET, SPRING COLLECTOR	2
58	180016	SCREW, 1/4-20X.50 HHC	4
59	782585	NUT, 1/4-20 REGHEXCTRLK	4
60	94850-853	BRACE, FRAME COLLECTOR	2
61	711909	SCREW, 1/4-20X.62 HHC	4
62	711632	NUT, 1/4-20HEXNYL	4
63	95343-853	WELD ASM., SUPPORT COLLECTOR	2
64	180034	SCREW, 1/4-20X1.50	2
65	782585	NUT, 1/4-20 REGHEXCTRLK	2
66	95349-853	WELD ASM., FRONT FRAME COLLECT.	1
67	711909	SCREW, 1/4-20X.62 HHC	2
68	711632	NUT, 1/4-20 HEXNYL	2
69	94908-848	TOP COLLECTOR ASM.	1
70	94853	HANDLE, DUMP COLLECTOR	1
71	94855-853	HANDLE, REBA COLLECTOR	1
72	95389	REBA COLLECTOR BAG	1
73	94854	RUBBER GRIP	1
86	712129	WASHER, .281X1.25X.06	2
87	711921	WASHER, .328X1.06X.062	6
88	578107	NUT, 1/4-20 TINN U	2
89	711674	SCREW, 1/4-20X.63 PHPNHD	2
97	690010-853	BRACE, BAGGER	1
100	55023	TRIM 77.5 INCHES	22 IN.
101	712068	SCREW 1/4-20X1.50 PHPNHD	2
102	711632	NUT, 1/4-20 HEXNYL	2
103	710266	SCREW, 10-24X.38 SLHWATAP	1
104	711741	SCREW, #12X.50 PHPNHTAP	2

MODEL 40320x88 (VRO4013TRX)

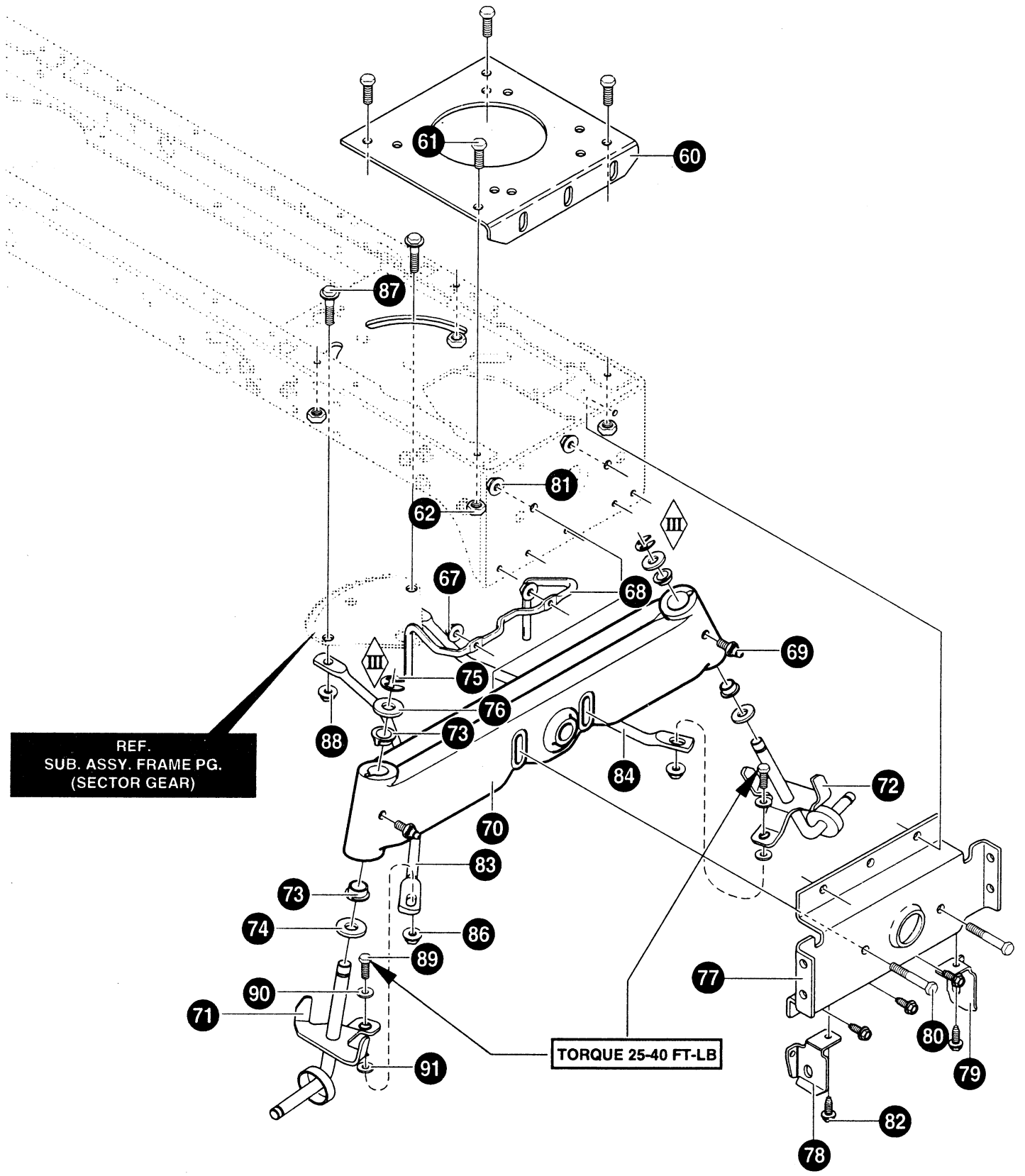
REPAIR PARTS FRAME ASSEMBLY



MODEL 40320x88 (VRO4013TRX)

REPAIR PARTS FRAME ASSEMBLY

KEY NO.	PART NO.	DESCRIPTION	QTY
1	94564	FRAME, RAIL RH	1
2	94565	FRAME, RAIL LH	1
3	94634	SUPPORT, SEAT RH	1
4	94633	SUPPORT, SEAT LH	1
5	710079	SCREW 5/16-18X.75 HHWATAP	4
6	94561	BRACE, BACKPLATE RH	1
7	94562	BRACE, BACKPLATE LH	1
8	710079	SCREW 5/16-18X.75 HHWATAP	4
9	94234	BRACKET, TRANSAXLE	1
10	95396	WELD, ASSY SHIFT BRACE LEVER	1
12	710079	SCREW, 5/16-18X.75 HHWATAP	4
13	94237	ASM. IDLER MOUNT, FRONT	1
14	710079	SCREW, 5/16-18X.75 HHWATAP	4
15	94003	PLATE, STEERING MOUNTING	1
16	710079	SCREW, 5/16-18X.75 HHWATAP	6
17	94019	CRANK, PTO	1
18	94005	BRACKET, BELL CRANK	1
19	710079	SCREW, 5/16-18X.75 HHWATAP	2
20	120395	WASHER, FLAT .469X.92X.065	1
23	94013	BRACKET, HANGER REAR	1
24	710079	SCREW, 5/16-18X.75HHWATAP	6
26	94121	GEAR, SECTOR	1
27	94123	BEARING, SECTOR GEAR	1
28	710312	SCREW, 5/16-18X1.00	1
29	710105	NUT, 5/16-18 HEXKEPS 15X113	1
30	94241	ASM., CLUTCH/BRAKE PEDAL	1
31	710079	SCREW, 5/16-18X.75 HHWATAP	4
32	94285	BRACKET, SUSPENSIONASM.	2
33	710079	SCREW, 5/16-18X.75 HHWATAP	4
34	94566	BRACE, RAIL	1
35	710079	SCREW, 5/16-18X.75 HHWATAP	2
36	93349	ZINC SCREW GUIDE	2
37	710204	NUT, 5/16-18 HEXWDFLLK WHIZ	2
38	94015	BRACKET, PIVOT	1
39	845	WASHER, FLAT .390X1.25X.119	1
40	710000	BOLT, .562X1.563 HSH 3/8-16	1
41	710140	NUT, 3/8-16 HWDFFLLK MACK 15X84	1
94	690036	BRACKET -SEAT DECK LH	1
95	690035	BRACKET-SEAT DECK RH	1
96	710079	SCREW, 5/16-18X.75 HHWATAP	1
97	710204	NUT, 5/16-18 HEXWDFLLK WHIZ	1



MODEL 40320x88 (VRO4013TRX)**REPAIR PARTS
AXLE & SPINDLE ASSEMBLY**

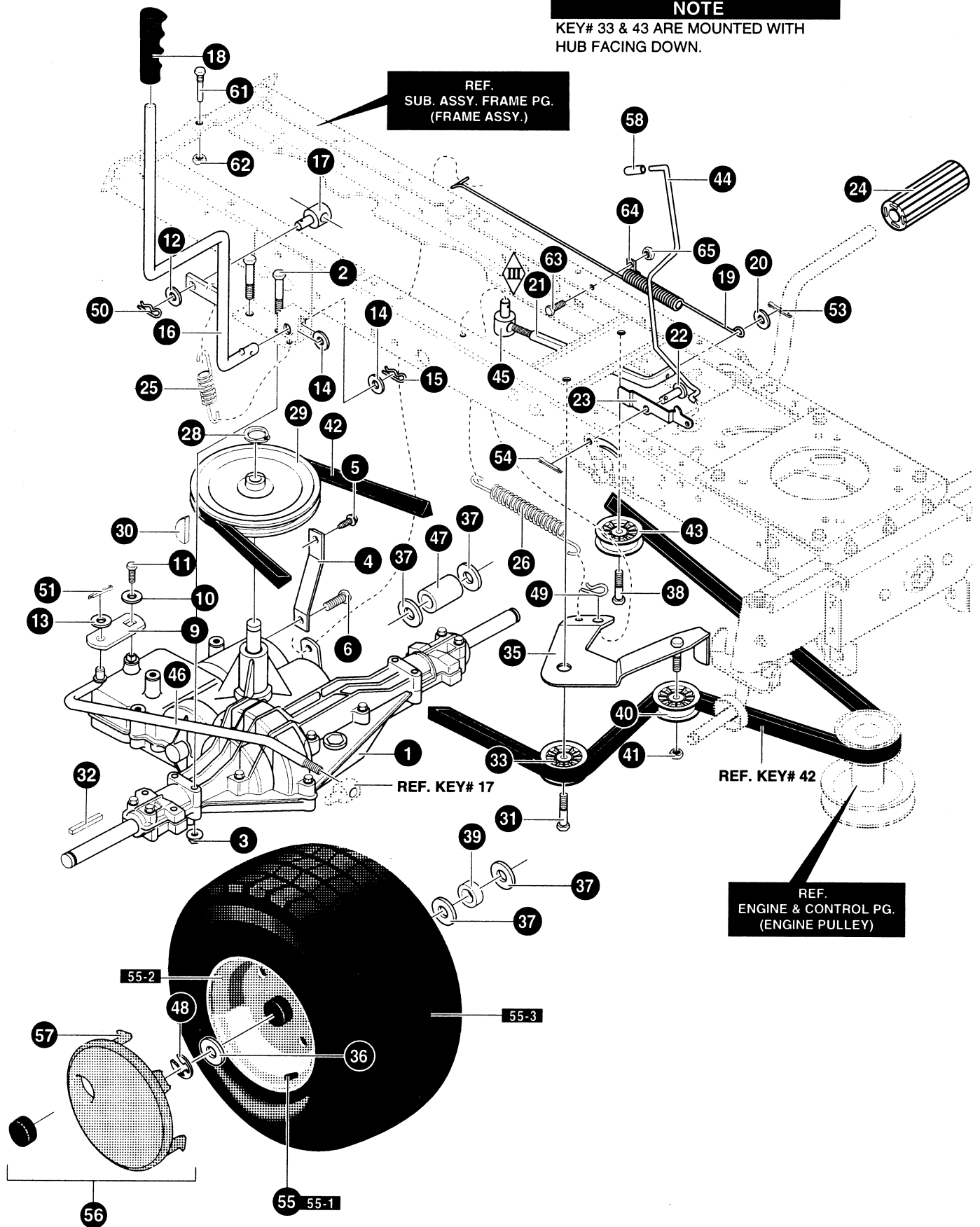
KEY NO.	PART NO.	DESCRIPTION	QTY
60	94006	ENGINE PLATE	1
61	710079	SCREW, 5/16-18X.75 HHWATAP	4
62	710205	NUT, 5/16-18 WDFLLK 15X88	4
67	45174	NUT, 5/16-18 HEXWDFLLK WHIZ	2
68	94310	GUIDE-STACK PULLEY BELT	1
69	706	ZERK, GREASE FITTING	2
70	95405	AXLE, CAST MACHINED REBA	1
71	95182	SPINDLE, LONG RH	1
72	95183	SPINDLE, LONG LH	1
73	92527	BEARING, SPINDLE	4
74	710129	WASHER, .766IDX1.62ID	2
75	710103	E-RING .574IDX.050/.750SH 11X3	2
76	710088	WASHER, FLAT .765X1.81X.059	2
77	94007	HANGER, AXLE	1
78	94290	HANGER, DECK RH	1
79	94289	HANGER, DECK LH	1
80	180113	SCREW, 5/16-18X3.00	2
81	710205	NUT, 5/16-18 WDFLLK 15X88	2
82	710079	SCREW, 5/16-18X.75 HHWATAP	5
83	95328	DRAG LINK RH	1
84	95329	DRAG LINK LH	1
86	710140	NUT, 3/8-16 HWDFLLK MACK 15X84	2
87	710440	SHOULDER BOLT 9X57	2
88	710140	NUT, 3/8-16 HWDFLLK MACK 15X84	2
89	710082	SCREW, 3/8-16X1.5	2
90	710083	WASHER FLAT .391X1.00X.083	2
91	710142	WASHER FLAT .406X.81X16GA	2

MODEL 40320x88 (VRO4013TRX)

REPAIR PARTS DRIVE ASSEMBLY

NOTE

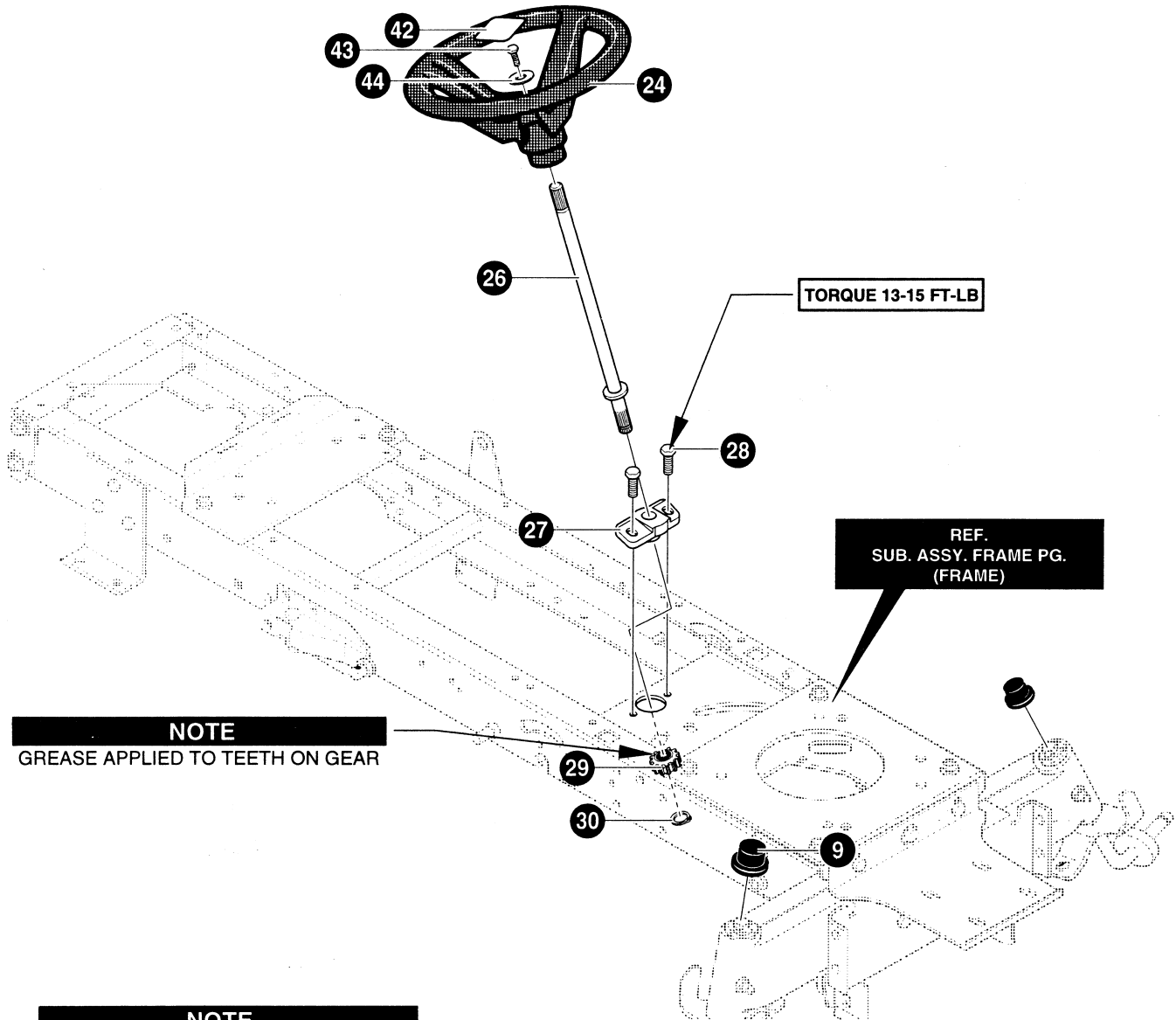
KEY# 33 & 43 ARE MOUNTED WITH
HUB FACING DOWN.



MODEL 40320x88 (VRO4013TRX)

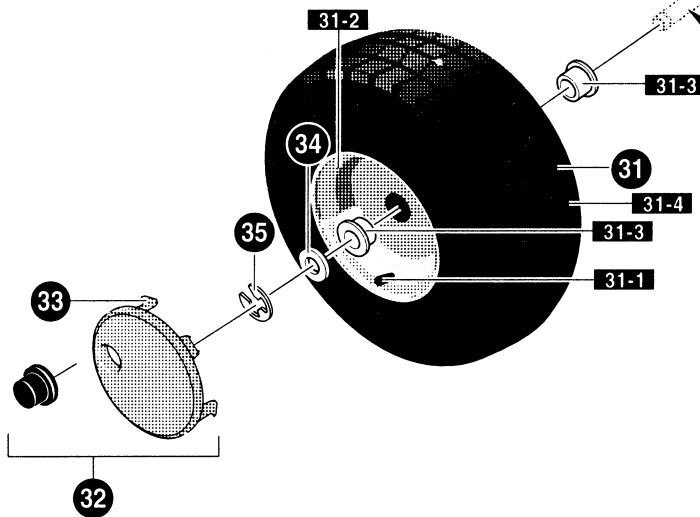
REPAIR PARTS DRIVE ASSEMBLY

KEY NO.	PART NO.	DESCRIPTION	QTY
1	*	TRANSAXLE MST206-512A	1
2	711669	SCREW, 5/16-18X2.50	4
3	711634	NUT, 5/16-18 WDFLLK	4
4	94620-853	BRACKET,STABILIZER	1
5	711606	SCREW, 5/16-18X.75	1
6	710268	SCREW, 5/16-18X.75 WAHHTAP	1
9	94227	BRACKET,SHIFT	1
10	711895	WASHER,.750X.250 TRANSAXLE	1
11	710345	SCREW,1/4-28X.75	1
12	583409	WASHER, FLAT .391X1.00X.125	1
13	71072	WASHER, FLAT .406X .81X.066	1
14	711894	WASHER, FLAT .515X .88X.064	2
15	711899	PIN, HAIR .53DIAX1.62LG	1
16	690087	SHIFT LEVER	1
17	711591	NUT, ADJ. 3/8-16	1
18	94497	GRIP, LIFT 1/2"	1
19	95424	SPRING, BRAKE	1
20	711921	WASHER, FLAT.328X1.06X.062	1
21	690016	ROD, CLUTCH	1
22	711903	PIN, CLEVIS	1
23	95290	LATCH, PARK BRAKE	1
24	21544	PEDAL,BRAKE/CLUTCH	1
25	782223	SPRING	1
26	711522	SPRING, TENSION	1
28	22053	RING, RETEX	1
29	94571	PULLEY, 9.0 OD V4L	1
30	50795	KEY, HI-PRO 606	1
31	711905	SCREW, 3/8-16X1.25	1
32	52928	KEY, SQUARE	2
33	95531	PULLEY, IDLER	1
35	94238-853	ASSY, IDLER ARM TRACTION	1
36	711758	FLATWASHER .765X1.81X.059	2
37	711904	WASHER, FLAT .755ID	2
38	711905	SCREW, 3/8-16X1.25	1
39	95418	SPACER, WHEEL	1
40	91179	PULLEY, IDLER 2.75 DIA	1
41	711920	NUT, 3/8-16 HWDFLLK	1
42	94608	BELT, V 4L 114.12	1
43	95531	PULLEY, IDLER V4L3.00X.710	1
44	690047	PARK BRAKE CONTROL ROD	1
45	711898	NUT, 5/16-18X3/8 ADJUSTING	1
46	690027	ROD, SHIFT LINK	1
47	95419	SPACER, .87 X 2.25	1
48	710103	E-RING .574IDX.050/.75	2
49	711899	PIN, HAIR .53DIAX1.62LG	1
50	711682	PIN, HAIR .38 DIAX1.64LG	1
51	711897	PIN, COTTER .090 DIAX .75	1
53	711897	PIN, COTTER .090 DIAX .75	1
54	711897	PIN, COTTER .090 DIAX .75	1
55	692290	TIRE & RIM	2
55-1	338512	VALVE STEM	1
55-2	338524	RIM, CARL	1
55-3	338526	TIRE, 20X8X8	1
56	94618	HUBCAP, AXLE SHAFT	2
57	-	NOT USED ON THIS UNIT	
58	335980	CAP, DUMP VALVE ROD	1
61	712067	SCREW GUIDE	1
62	711633	NUT, 5/16-18 HEXWDFLLK WHIZ	1
63	180016	SCREW, 1/4-20X .50	1
64	711742	RETAINER, WIRE	1
65	780285	NUT, 1/4-20 WDFLWHIZ-LK	1



NOTE
GREASE APPLIED TO TEETH ON GEAR

NOTE
KEY# 32 & 33 ARE OPTIONAL, DEPENDS ON UNIT

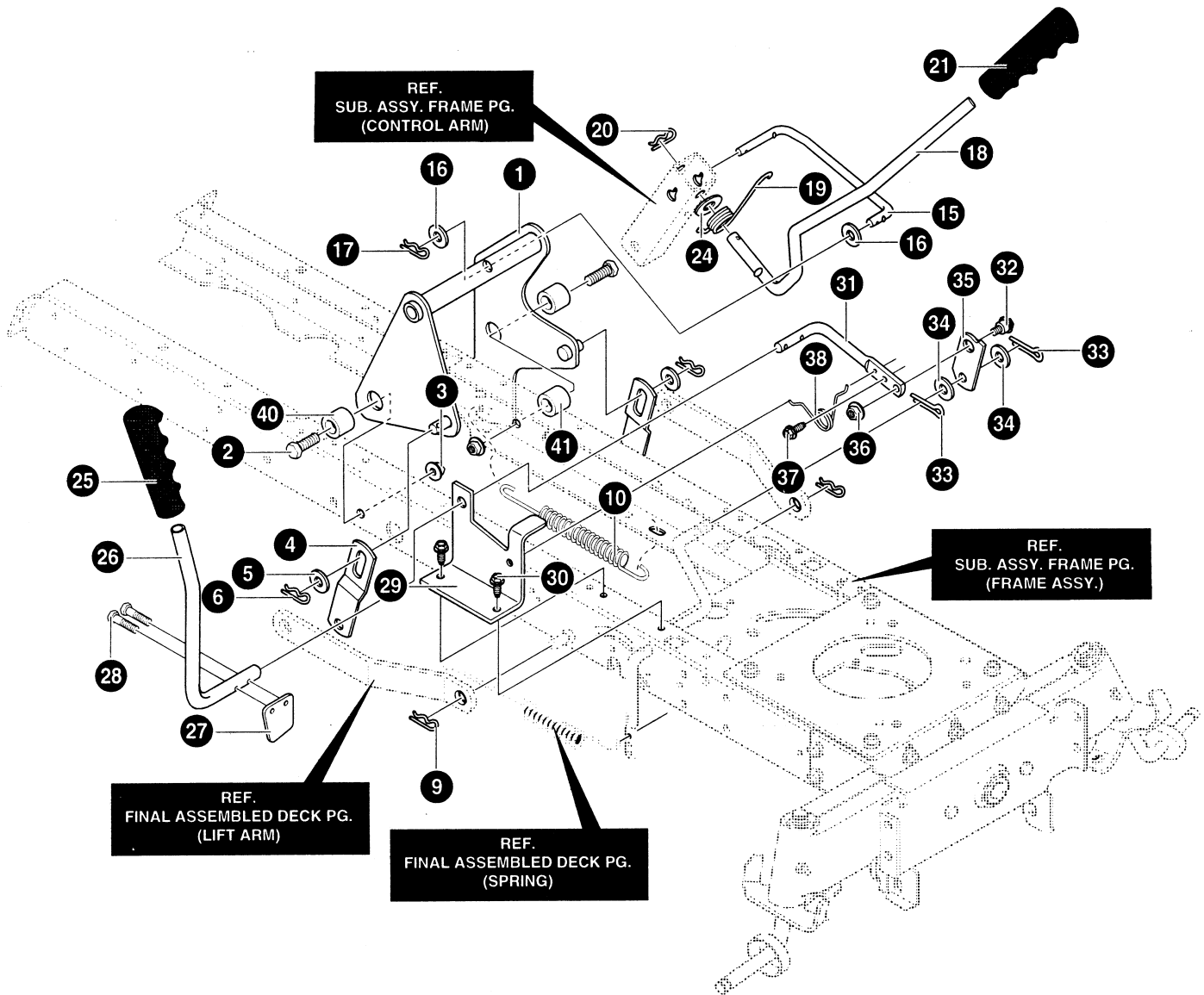


NOTE
GREASE APPLIED TO SPINDLE SHAFT

MODEL 40320x88 (VRO4013TRX)

REPAIR PARTS STEERING ASSEMBLY

KEY NO.	PART NO.	DESCRIPTION	QTY
9	94618	DUST HUB CAP	2
24	95185	STEERING WHEEL	1
26	94520	SHAFT, STEERING	1
27	94124	BEARING-LOWER	1
28	711606	SCREW, 5/16-18X.75	2
29	94122	GEAR PINNION	1
30	710102	RING, RET E.	1
31	690049	TIRE&RIM, 15X6.0-6	2
31-1	338512	VALVE STEM	1
31-2	338517	RIM	1
31-3	338513	BEARING	1
31-4	338516	TIRE, 15X6X6	1
32	94618	HUBCAP	2
34	710088	WASHER, FLAT .765X1.62X.065	2
35	710103	E-RING	2
42	711326	INSERT, STEERING WHEEL HUB	1
43	711719	SCREW, 1/4-20X.75 HHC	1
44	711663	WASHER, FLAT .281X1.25X.06	1

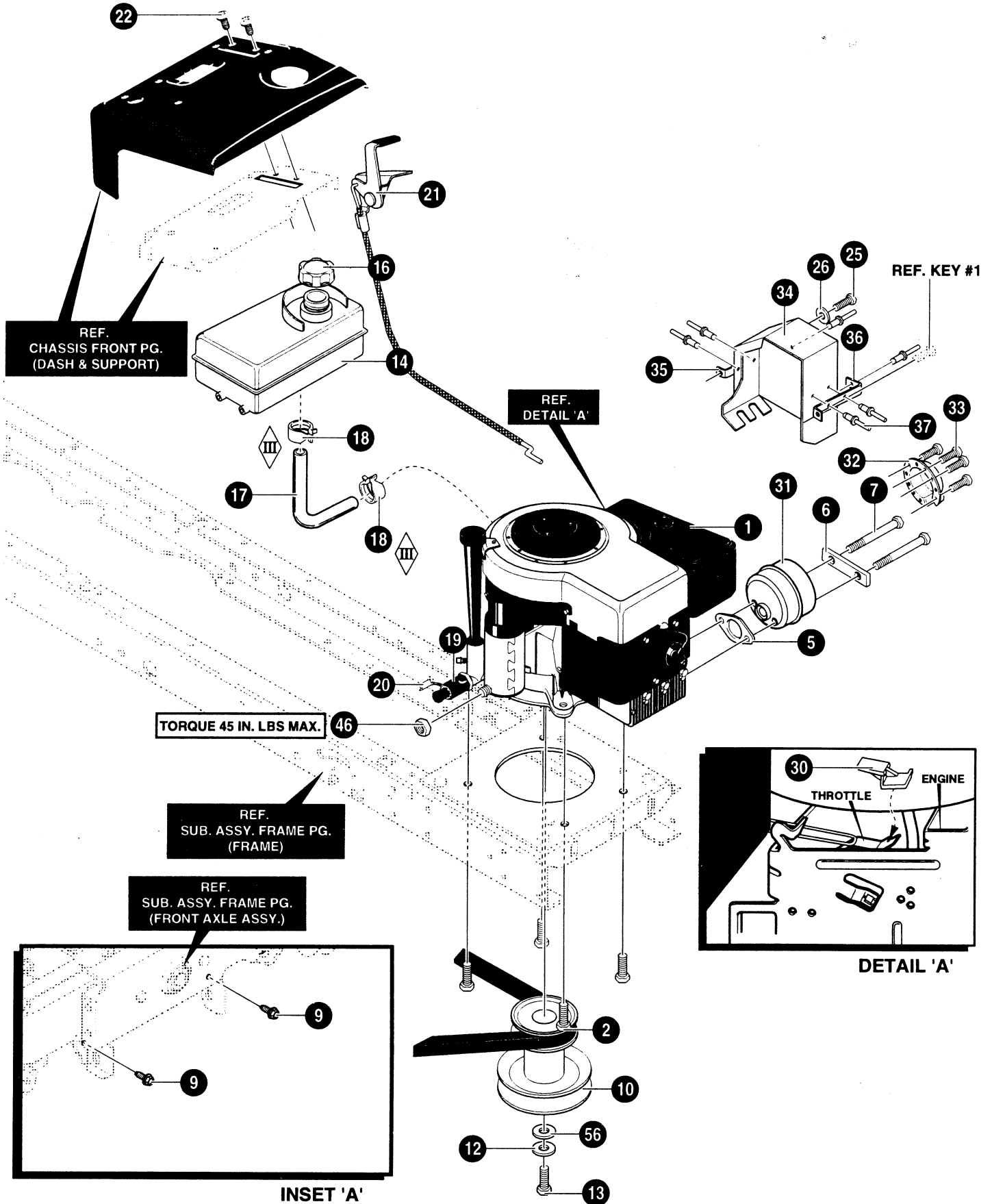


MODEL 40320x88 (VRO4013TRX)**REPAIR PARTS
LIFTER & BLADE DRIVE ASSEMBLY**

KEY NO.	PART NO.	DESCRIPTION	QTY
1	95233-853	ASSEMBLY, LIFT ARM	1
2	711917	SCREW, 1/2-13X1.50	2
3	711918	NUT, 1/2-13 LOCK	2
4	94262-853	BRACKET, LIFT LINK	2
5	711617	WASHER, FLAT	2
6	711676	HAIR PIN .38DIAX1.64LG	2
9	711676	HAIR PIN .38DIAX1.64LG	2
10	710235	SPRING, EXTENSION 9.82X1.01 OD	1
15	711981	LINK - LIFT HANDLE	1
16	711617	WASHER, FLAT	2
17	711676	HAIR PIN .38DIAX1.64LG	1
18	95296	HANDLE, LIFT	1
19	710111	TORSION SPRING	1
20	711676	HAIR PIN .38DIAX1.64LG	1
21	94497	GRIP, LIFT	1
24	711616	WASHER, FLAT .550X1.00X11	1
25	94496	GRIP	1
26	712035	PTO HANDLE	1
27	95284	ZINC PADDLE, SWITCH	1
28	711621	SCREW, THREAD FORM	2
29	94018-853	BRACKET, PTO	1
30	780055	SCREW, 5/16-18X.50	2
31	95283	ZINC LEVER, PTO	1
32	711613	BOLT, .50X.75 HSH 3/8-16	1
33	711659	HAIR PIN	2
34	711615	WASHER, FLAT .518X.87X16	2
35	95282	ZINC LINK PTO	1
36	711622	NUT, 3/8-16 HWDFLLK MACK	1
37	711606	SCREW, 5/16-18X.75	1
38	710141	TORSION SPRING	1
40	94309	SPACER	2
41	56150	SPACER, SLEEVE	1

MODEL 40320x88 (VRO4013TRX)

REPAIR PARTS FUEL TANK & MUFFLER ASSEMBLY



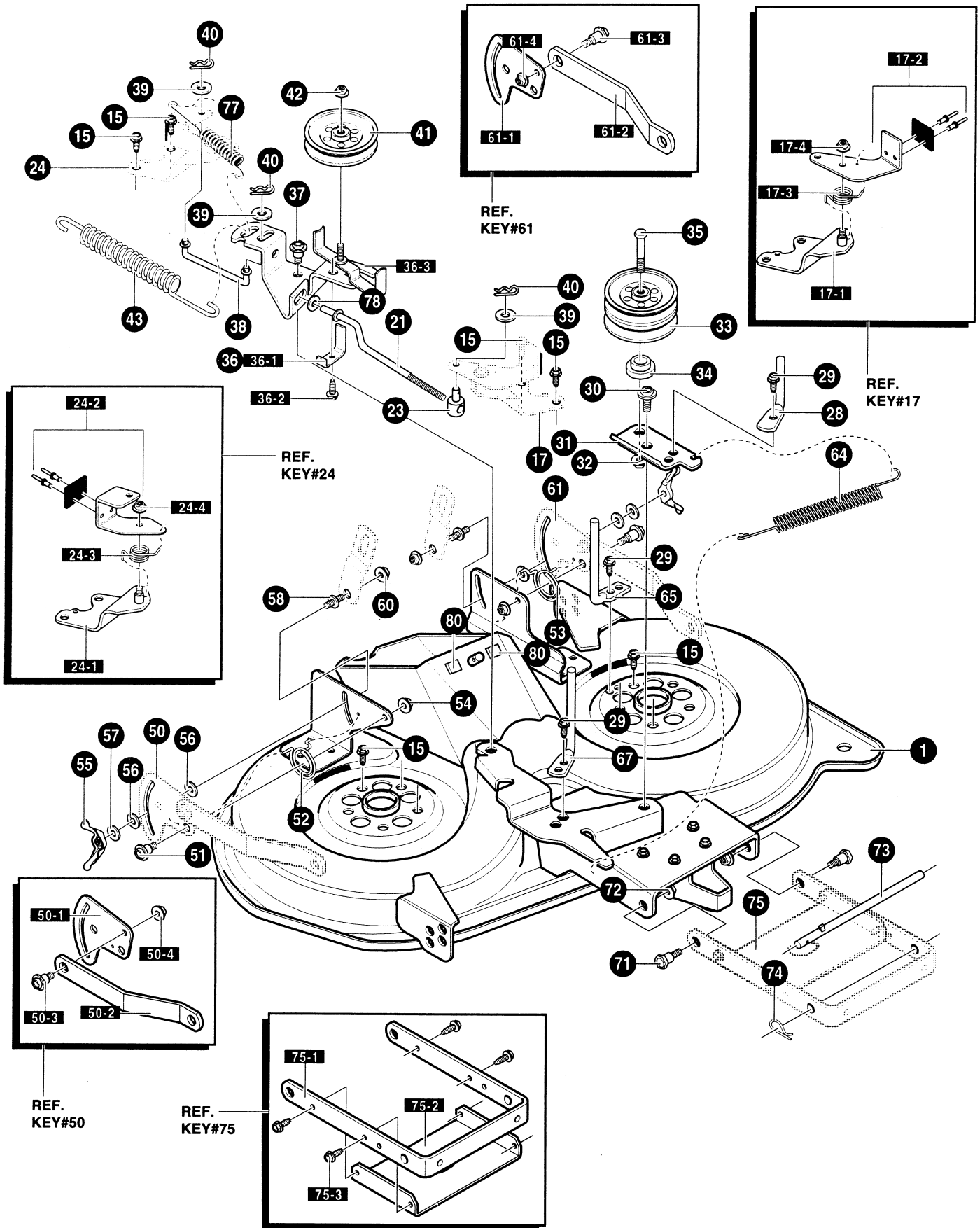
MODEL 40320x88 (VRO4013TRX)**REPAIR PARTS
FUEL TANK & MUFFLER ASSEMBLY**

KEY NO.	PART NO.	DESCRIPTION	QTY
1	*	ENGINE	1
2	710199	SCREW, 3/8-16X1.25	4
5	91309	GASKET, MUFFLER	1
6	712064	SCREW, LOCK	1
7	712065	SCREW, 5/16-18 X4.125	2
9	711606	SCREW, 5/16-18 X.75	2
10	95383	STACK PULLEY ASSY.	1
12	120383	WASHER, SPLITLOCK	1
13	710248	SCREW, 7/16-20	1
14	92342	FUEL TANK	1
16	92317	FUEL CAP	1
17	41007	TUBING, 25 X.50	14.5 IN.
18	47345	CLAMP, FUEL LINE	2
19	325547	OIL DRAIN VALVE ASSEMBLY	1
20	327422	CAP, OIL DRAIN VALVE	1
21	94361	THROTTLE CONTROL	1
22	711637	SCREW, #8-16 X.38	2
25	711592	SCREW, 1/4-20 X.50	1
26	710249	WASHER (18X32)	1
30	94951	SPEED CLIP	1
31	91271	MUFFLER	1
32	23740	DEFLECTOR EXHAUST	1
33	712070	SCREW, #8-32X .38	4
34	95031	HEAT SHIELD	1
35	94359	L-BRACKET	1
36	94360	L-BRACKET	1
37	712066	POP-RIVET	6
46	711601	NUT, 1/4-20 REGHEXJAM	1
56	710247	WASHER, FLAT .480X1.00X.25	1

* SEE ENGINE MANUAL

MODEL 40320x88 (VRO4013TRX)

REPAIR PARTS BLADE HOUSING ASSEMBLY



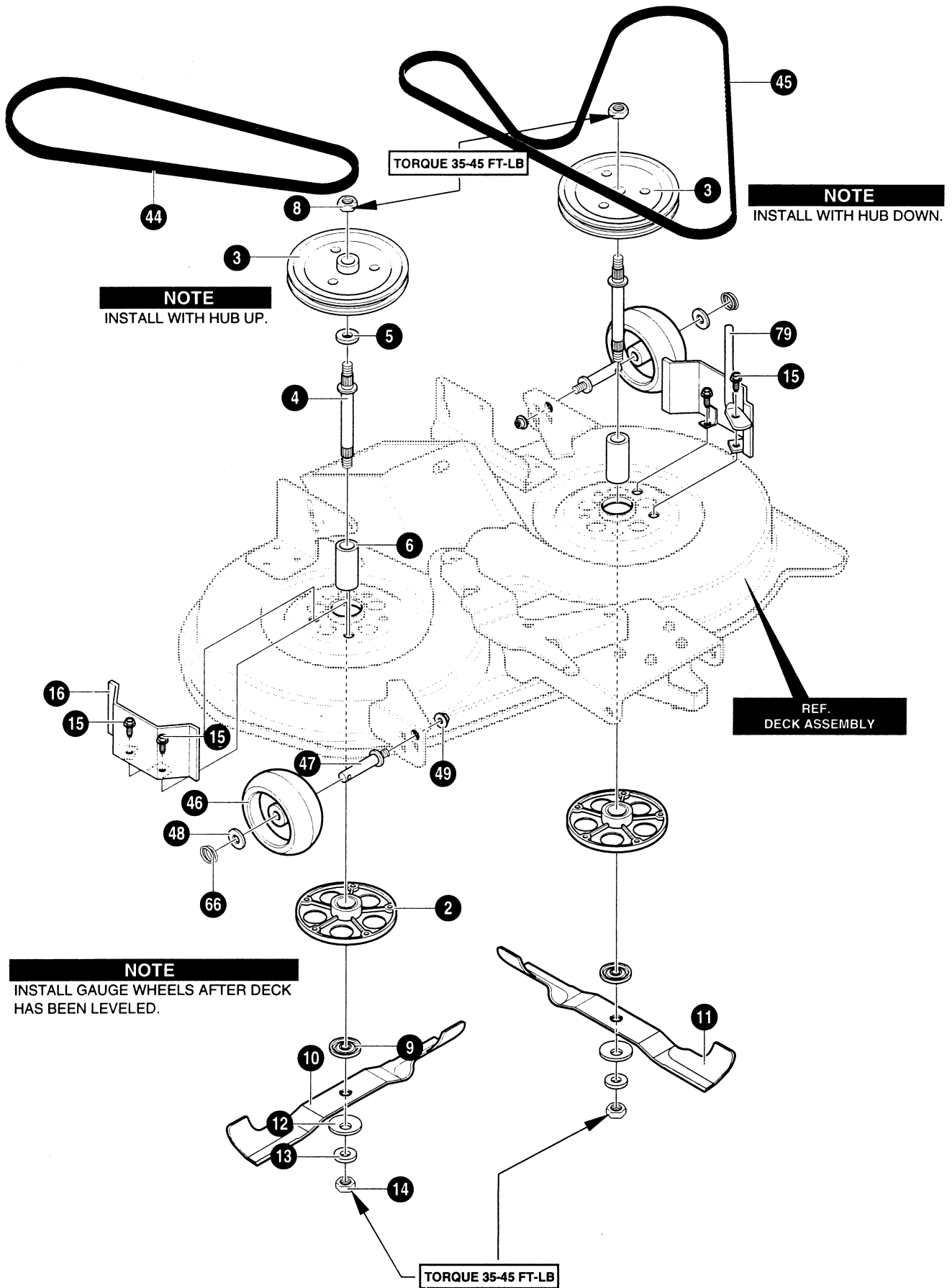
MODEL 40320x88 (VRO4013TRX)

REPAIR PARTS BLADE HOUSING ASSEMBLY

KEY NO.	PART NO.	DESCRIPTION	QTY
1	690109-853	HOUSING, 40" DECK	1
17	94665-853	BRAKE ARM ASSEMBLY LH	1
17-1	94293	BRAKE SUPPORT ASSEMBLY LH	1
17-2	94291	BRAKE ARM ASSEMBLY LH	1
17-3	710110	SPRING, TORSION	1
17-4	710205	NUT, 5/16-18	1
21	690021	LINK, BRAKE LH	1
23	711591	NUT, ADJUST	1
24	94664-853	BRAKE ARM ASSEMBLY RH	1
24-1	94294	BRAKE SUPPORT ASSEMBLY RH	1
24-2	94292	BRAKE ARM ASSEMBLY RH	1
24-3	710077	SPRING, TORSION	1
24-4	710205	NUT, 5/16-18	1
28	711912	GUIDE, BELT	1
29	711914	SCREW, 5/16-18 X .50	3
30	711613	BOLT, SHOULDER	1
31	94261-853	ARM, DOUBLE IDLER	1
32	711622	NUT, 3/8-16	1
33	94279	PULLEY, IDLER DOUBLE VEE	1
34	94269	SPACER	1
35	711915	SCREW, 3/8-16X3.00	1
36	94973-853	IDLER ARM ASSY	1
36-1	94312	SPRING - GUIDE BELT	1
36-2	710264	SCREW, 1/4-20X .50	1
36-3	94298	IDLER ARM ASSEMBLY	1
37	711613	BOLT, SHOULDER	1
38	690023	LINK, BRAKE RH	1
39	711916	WASHER, FLAT	3
40	711682	HAIR PIN	3
41	690024	PULLEY, V IDLER 4"	1
42	711622	NUT, 3/8-16 HWD FLLK MACK	1
43	710234	SPRING, EXTENSION	1
50	341593-853	ASSEMBLY, PLATE REAR SUS. BRKT. RH	1
50-1	94128	PLATE - SUSPENSION	1
50-2	94055	SUSPENSION BRACKET REAR	1
50-3	710095	BOLT, SHOULDER 3/8-16 (9X52)	1
50-4	710140	NUT, 3/8-16 HWD FLLK MACK (15X84)	1
51	711611	BOLT, SHOULDER .375	2
52	710112	SPRING, TORSION RH	1
53	710113	SPRING, TORSION LH	1
54	711622	NUT, 3/8-16 HWD FLLK MACK	2
55	711600	WINGNUT, 5/16-18	2
56	94137	PAD, FRICTION	4
57	711628	WASHER	2
58	711595	PIN, HANGER	2
60	711622	NUT, 3/8-16	2
61	341594-853	ASSEMBLY, PLATE, REAR SUS. BRKT. LH	1
61-1	94128	PLATE - SUSPENSION	1
61-2	94055	SUSPENSION BRACKET REAR	1
61-3	710095	BOLT, SHOULDER 3/8-16	1
61-4	710140	NUT, 3/8-16	1
64	710233	SPRING, EXTENSION	1
65	711913	GUIDE, BELT	1
67	690030	GUIDE, BELT	1
71	711611	BOLT, SHOULDER	2
72	711622	NUT, 3/8-16	2
73	95295	ROD, HANGER	1
74	711676	PIN, HAIR	1
75	690058-853	ASSEMBLY, BRACKET & STIFFENER	1
75-1	94058	BRACKET, FRONT SUSPENSION	1
75-2	95057	STIFFENER	1
75-3	710079	SCREW, 5/16-18X.75	4
77	710658	SPRING, EXTENSION	1
78	583409	WASHER, FLAT	1
80	318197	PAD, ADHESIVE	2

MODEL 40320x88 (VRO4013TRX)

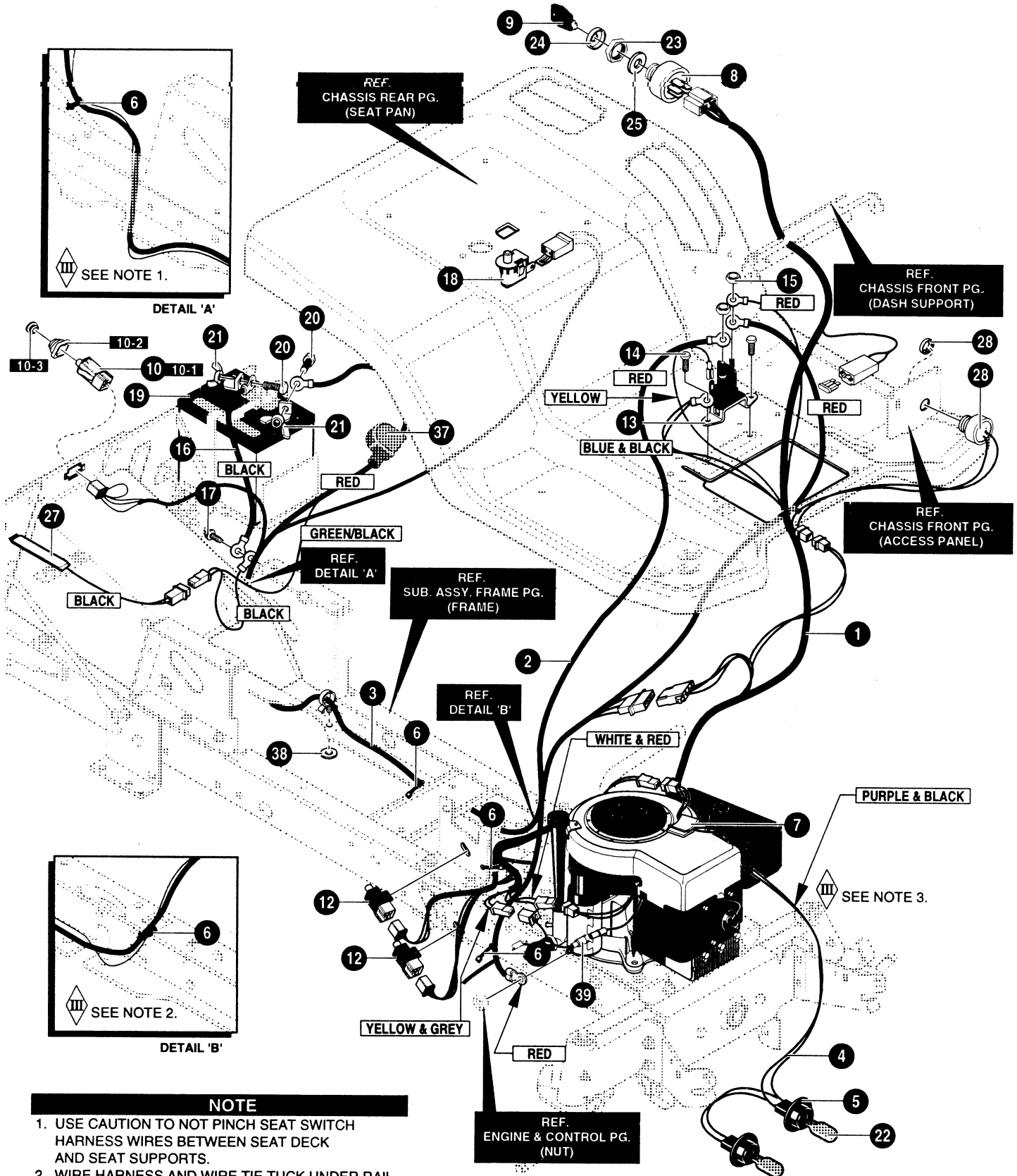
REPAIR PARTS BLADES & BELTS



MODEL 40320x88 (VRO4013TRX)

REPAIR PARTS BLADES & BELTS

KEY NO.	PART NO.	DESCRIPTION	QTY
2	94305	ASSEMBLY, JACKSHAFT HOUSING	2
3	690020	PULLEY, DECK	2
4	91922	JACKSHAFT	2
5	710117	WASHER, FLAT	1
6	91903	SPACER, .625X.875X1.91	2
8	711910	NUT, 9/16-18 CTRLK	2
9	94207	ADAPTER, DECK/BLADE 40"	2
10	690499	BLADE, RH REBA HI-LIFT	1
11	690500	BLADE, LH REBA HI-LIFT	1
12	710118	WASHER, BELLVILLE	2
13	710117	WASHER, FLAT	2
14	711910	NUT, 9/16-18	2
15	711911	SCREW, 3/8-16X1.00	10
16	94288-853	COVER PULLEY	2
44	710231	BELT, V 46.5LG	1
45	690071	BELT, DECK	1
46	92683	GAUGE WHEEL	2
47	711746	BOLT, SHOULDER	2
48	711615	WASHER, FLAT	2
49	711622	NUT, 3/8-16	2
66	711764	PIN, CIRCLE	2
79	95280	ROD, BELT GUIDE	1



NOTE

1. USE CAUTION TO NOT PINCH SEAT SWITCH HARNESS WIRES BETWEEN SEAT DECK AND SEAT SUPPORTS.
2. WIRE HARNESS AND WIRE TIE TUCK UNDER RAIL.
3. ROUTE HEADLIGHT HARNESS BETWEEN AIR FILTER AND ENGINE COVER. TIE HEADLIGHT HARNESS TO FUEL LINE.

MODEL 40320x88 (VRO4013TRX)

REPAIR PARTS WIRING ASSEMBLY

KEY NO.	PART NO.	DESCRIPTION	QTY
1	95380	WIRE HARNESS	1
2	711579	WIRE, LEAD	1
3	95381	REAR HARNESS	1
4	340513	WIRE HARNESS FOR HEADLIGHTS	1
5	92372	SOCKET, LAMP	2
6	57444	TIE, CABLE BLACK NYLON 5.62L	5
7	55939	WIRE CLIP, ADHESIVE	1
8	94878	SWITCH, IGNITION	1
9	327350	KEY, IGNITION	2
10	690106	ASSY, SWITCH DOUBLE	1
10-1	320082	SWITCH, DOUBLE	1
10-2	690074	BOOT, SWITCH	1
10-3	690075	CAP, SWITCH	1
12	94136	SWITCH LIMIT	2
13	94613	SOLENOID	1
14	711619	SCREW, 1/4X.50	2
15	711632	NUT, 1/4-20 HEXNYL	2
16	95420	WIRE, GROUND	1
17	711619	SCREW, 1/4X.50	1
18	94159	SWITCH, SEAT	1
19	302257	BATTERY 12V 7 PLATE	1
20	711680	BOLT, 1/4-20X.63	2
21	711636	NUT, WING 1/4-20	2
22	780216	BULB, HEADLIGHT	2
23	327352	NUT, 5/8-8 ACME	1
24	300194	BOOT, IGNITION SWITCH	1
25	138557	WASHER, REGINTLK	1
27	95330	TAPE SWITCH	1
28	95391	BUZZER, FOR BAG FULL	1
37	335417	BATTERY BOOT	1
38	711666	FLATWASHER, .250X.56X.0478	1
39	94348	HARNESS ADAPTER	1
	302031	15 AMP FUSE	1

WIRING SCHEMATIC

