

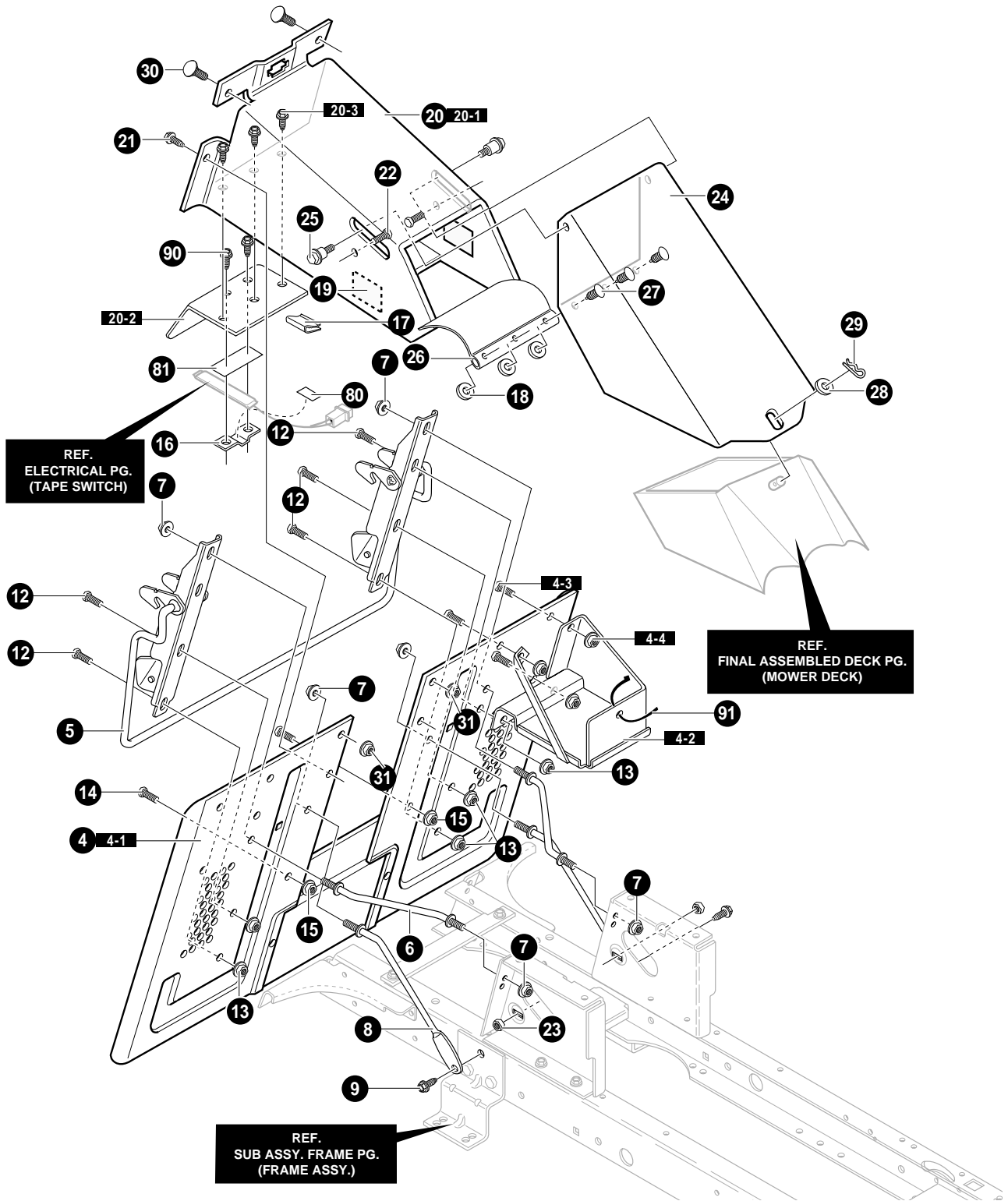
NOTE: ALWAYS USE ORIGINAL EQUIPMENT PARTS.  
Use of service/replacement parts other than original  
equipment parts may void your warranty.

ALL UNNUMBERED  
ITEMS ARE INTERCHANGEABLE  
WITH OPPOSITE SIDE

344463A

# FRONT CHASSIS ASSEMBLY

KEY NO.	PART NO.	DESCRIPTION	QTY
1	94082-853	SUPPORT GRILLE RH	1
2	94083-853	SUPPORT GRILLE LH	1
3	711606	SCREW, 5/16-18X.75	4
4	94074-860	DASH	1
5	711629	SCREW, 10-24X.50 TRSEGI	4
6	94075	STEERING BRACKET	1
7	710197	SCREW, 1/4-14X.50 PANCR	2
8	95366-860	PANEL, ACCESS W/BUZZER	1
9	711629	SCREW, 10-24X.500	2
10	95318-860	DASH SUPPORT	1
11	711606	SCREW, 5/16-18X.75	6
12	95088-860	U-FORMED HOOD	1
13	94079-860	GRILLE	1
14	711629	SCREW, 10-24X.5	4
15	94080	LENS, RH	1
16	94081	LENS, LH	1
17	94807	REFLECTOR, HEADLIGHT	1
18	94807	REFLECTOR, HEADLIGHT	1
19	711611	BOLT, SHOULDER .375	2
20	711622	NUT, 3/8-16 HWD FLLK MACK	2
21	92059	BELLOWS, STEERING POST	1
22	94744	BUMPER	2
	712538	OPERATOR'S MANUAL (NOT SHOWN)	

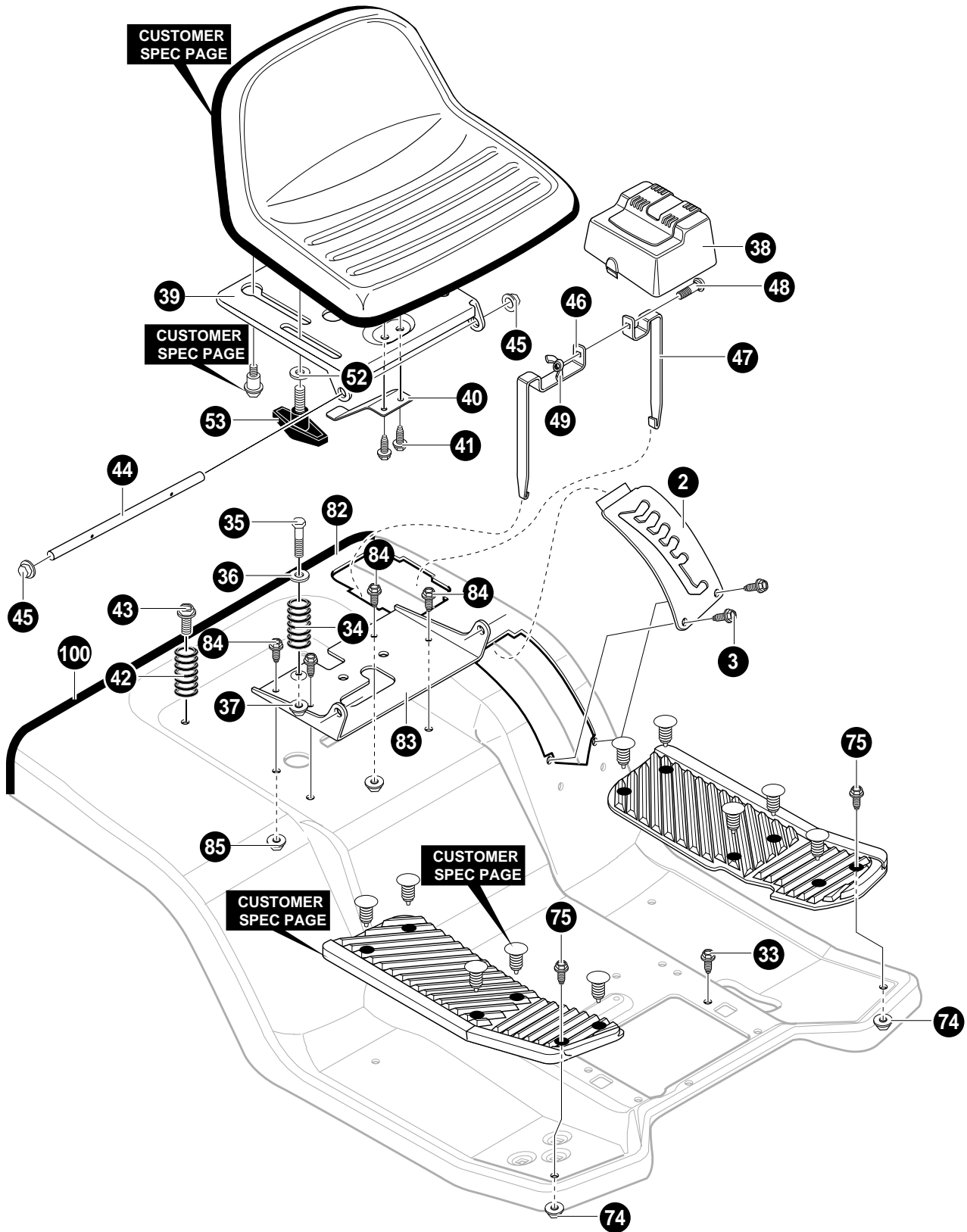


NOTE: ALWAYS USE ORIGINAL EQUIPMENT PARTS.  
Use of service/replacement parts other than original equipment parts may void your warranty.

ALL UNNUMBERED  
ITEMS ARE INTERCHANGEABLE  
WITH OPPOSITE SIDE

## REAR CHASSIS ASSEMBLY

KEY NO.	PART NO.	DESCRIPTION	QTY
4	343678-853	ASSY, BACK PLATE/BATTERY	1
4-1	95162	ASM. BACKPLATE FLAT	1
4-2	94563	BATTERY TRAY ASM.	1
4-3	180073	SCREW, 5/16-18X.50 HHC	3
4-4	45174	NUT, 5/16-18 HEXWDFLLK WHIZ	3
5	95359-853	WELDMENT-LATCH LEVER	1
6	690097	ROD, BRACE	2
7	711906	NUT, 3/8-16 HWDFL WHIZ-LOCK	5
8	94231	ROD, BRACE	2
9	711606	SCREW, 5/16-18X.75 HHWATAP	2
12	711907	SCREW 5/16-18X.75 HXWDFL	5
13	710026	NUT, 5/16-18 HEXWDFLLK WHIZ	5
14	711606	SCREW 5/16-18X.75 HHWATAP	4
15	710026	NUT, 5/16-18 HEXWDFLLK WHIZ	2
16	690245	BRACKET, FLEX SWITCH MOUNTING	1
17	55939	WIRE CLIP, ADHESIVE	1
18	711666	FLATWASHER, .250X.56X.047	3
19	318197	PAD, ADHESIVE 1.00X1.50X.12	2
20	690102-853	ASM., T/A SHIELD & UPPER CHUTE	1
20-1	94350	CHUTE WELD ASM. UPPER	1
20-2	95367	SHIELD, TRANSAXLE	1
20-3	711642	SCREW, 1/4-20X.63 HHWATAP	4
21	711606	SCREW, 5/16-18X.75 HHC	4
22	711688	BOLT, 5/16-18X.75 CARR	2
23	710026	NUT, 5/16-18 HEXWDFLLK WHIZ	2
24	94296-853	MIDDLE CHUTE ASSY	1
25	710440	BOLT, SHOULDER, (9X57)	2
26	94264	FLAP, CHUTE	1
27	309235	FASTENER, RATCHET	3
28	711617	FLATWASHER	1
29	711682	PIN, HAIR .38DIAX1.64LG	1
30	711688	BOLT, 5/16-18X.75 CARR.	2
31	710026	NUT, 5/16-18 HEXWDFLLK WHIZ	2
80	712009	TAPE, DOUBLE SIDED FOAM 3/4" WD	0.560
81	712009	TAPE, DOUBLE SIDED FOAM 3/4" WD	3
90	711642	SCREW, 1/4-20X.63 HHWATAP	2
91	57444	CABLE TIE	1

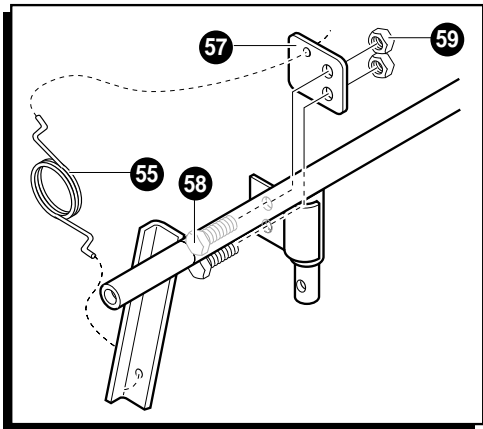
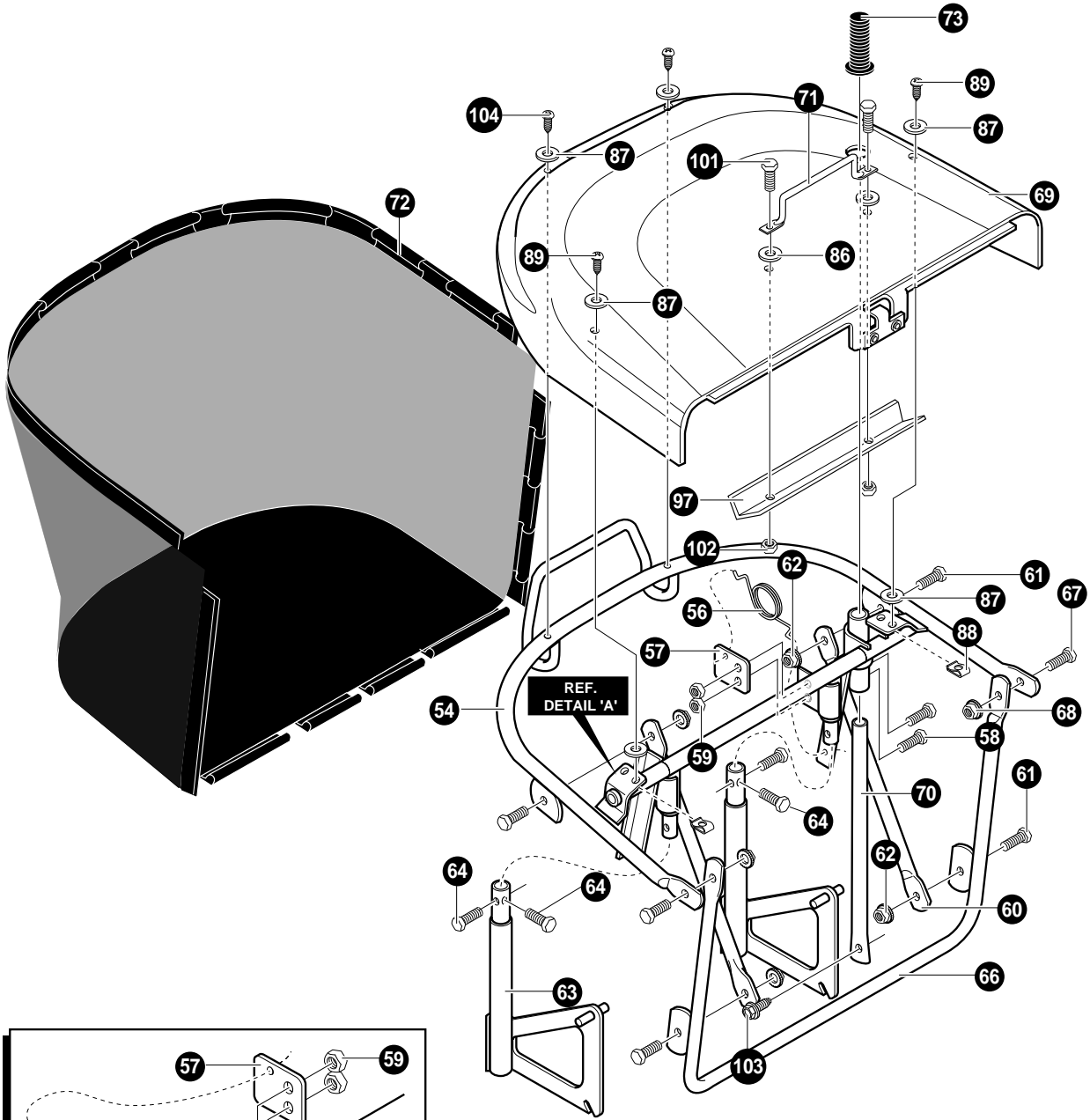


NOTE: ALWAYS USE ORIGINAL EQUIPMENT PARTS. Use of service/replacement parts other than original equipment parts may void your warranty.

ALL UNNUMBERED ITEMS ARE INTERCHANGEABLE WITH OPPOSITE SIDE

# REAR CHASSIS ASSEMBLY

KEY NO.	PART NO.	DESCRIPTION	QTY
2	95190-853	PLATE, LIFT DETENT	1
3	711741	SCREW, #12X.50 PHPNHTAP	2
33	711606	SCREW, 5/16-18X.75HHWATAP	1
34	710136-853	SPRING, COMPRESSION 4.57LGX1.17	1
35	711610	BOLT, SHOULDER 1/4-20	2
36	95293	ZINC WASHER CUP	1
37	302635	NUT, 1/4-20 CENTERLOCK	1
38	94200	COVER, BATTERY	1
39	94154-860	SUPPORT, SEAT	1
40	94057	SPRING-LEAF	1
41	711592	SCREW, 1/4-20X.50 WAHHTAP	2
42	710109-853	SPRING, COMPRESSION 2.43LG 164X30	2
43	711606	SCREW, 5/16-18X.75 HHWATAP	4
44	95294	ZINC HINGE SEAT PIVOT	1
45	711627	NUT, PUSH CAP .375	2
46	95393-853	BATTERY, BRACKET L.H.	1
47	95394-853	BATTERY BRACKET R.H.	1
48	711680	BOLT, 1/4-20X.63 CARR.	1
49	711636	NUT, WING 1/4-20 14X79	1
52	711644	WASHER, FLAT .344X.62X.06	2
53	711747	BOLT, WING 5/16-18X.50	2
74	710026	NUT, 5/16-18 HEXWDFLLK WHIZ	2
75	711891	BOLT, 5/16-18X.7A5 CARR.	2
82	94204-860	SEAT DECK PEDAL HYDRO	1
83	94153-860	BRACKET, PIVOT SEAT	1
84	711606	SCREW, 5/16-18X.75 HHWATAP	4
85	711634	NUT, 5/16-18 WDFLLK	2
100	55021	TRIM	41.00 IN.



DETAIL 'A'

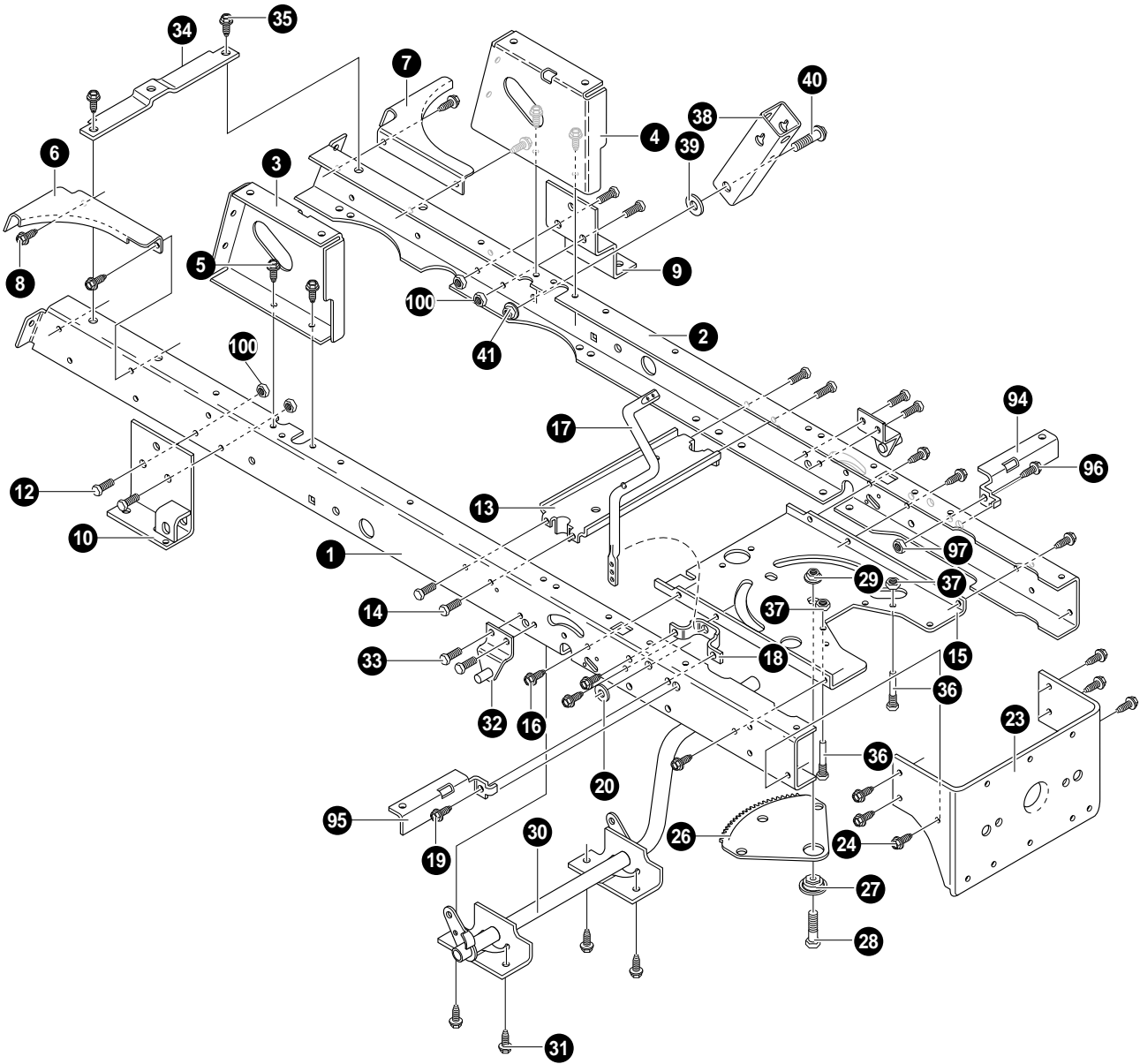
NOTE: ALWAYS USE ORIGINAL EQUIPMENT PARTS. Use of service/replacement parts other than original equipment parts may void your warranty.

ALL UNNUMBERED ITEMS ARE INTERCHANGEABLE WITH OPPOSITE SIDE

## REAR CHASSIS ASSEMBLY

KEY NO.	PART NO.	DESCRIPTION	QTY
54	690044-853	ASM. WELD UPPER FRAME	1
55	690003	SPRING, TORSION RH	1
56	690004	SPRING, TORSION LH	1
57	95339-853	BRACKET, SPRING COLLECTOR	2
58	313686	SCREW, 1/4-20X.50 HHC	4
59	73826	NUT, 1/4-20 REGHEXCTRLK	4
60	94850-853	BRACE, FRAME COLLECTOR	2
61	711909	SCREW, 1/4-20X.62 HHC	4
62	711632	NUT, 1/4-20HEXNYL	4
63	95343-853	WELD ASM., SUPPORT COLLECTOR	2
64	711653	SCREW, 1/4-20X1.50	4
66	95349-853	WELD ASM., FRONT FRAME COLLECT.	1
67	711909	SCREW, 1/4-20X.62 HHC	2
68	711632	NUT, 1/4-20 HEXNYL	2
69	94908-860	TOP COLLECTOR ASM.	2
70	690019	HANDLE, DUMP COLLECTOR	1
71	94855-853	HANDLE, REBA COLLECTOR	1
72	95389	REBA COLLECTOR BAG	1
73	94854	RUBBER GRIP	1
86	712129	WASHER, .281X1.25X.06	2
87	711921	WASHER, .328X1.06X.062	6
88	578107	NUT, 1/4-20 TINN U	2
89	711674	SCREW, 1/4-20X.63 PHPNHD	2
97	690010-853	BRACE, BAGGER	1
101	712068	SCREW 1/4-20X1.50 PHPNHD	2
102	711632	NUT, 1/4-20 HEXNYL	2
103	711741	SCREW, #12X.50 PHPNHTAP	1
104	711741	SCREW, #12X.50 PHPNHTAP	2



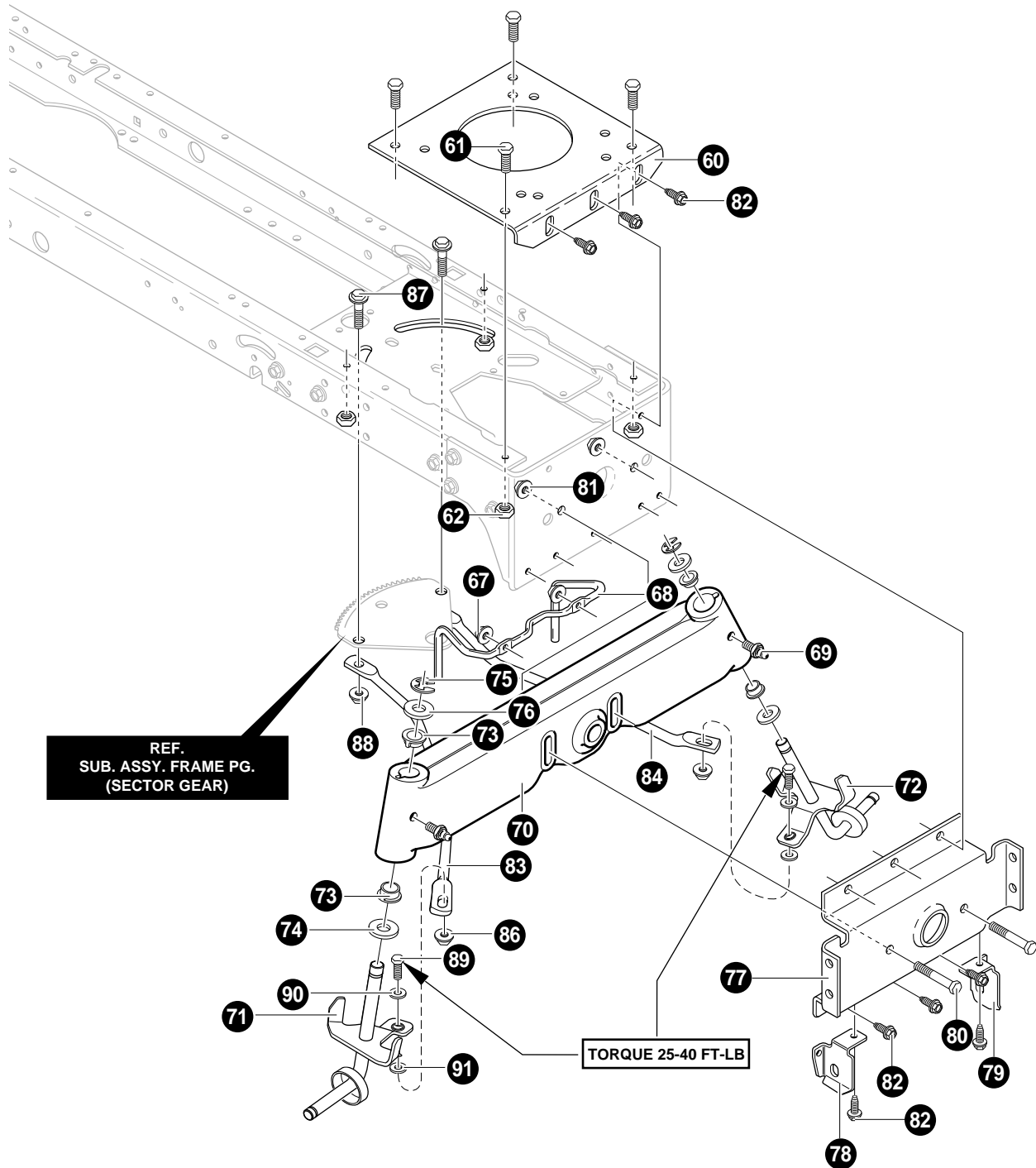


NOTE: ALWAYS USE ORIGINAL EQUIPMENT PARTS.  
Use of service/replacement parts other than original equipment parts may void your warranty.

ALL UNNUMBERED  
ITEMS ARE INTERCHANGEABLE  
WITH OPPOSITE SIDE

# FRAME ASSEMBLY

KEY NO.	PART NO.	DESCRIPTION	QTY
1	94564	FRAME, RAIL RH	1
2	94565	FRAME, RAIL LH	1
3	94634	SUPPORT, SEAT RH	1
4	94633	SUPPORT, SEAT LH	1
5	710079	SCREW 5/16-18X.75 HHWATAP	4
6	94561	BRACE, BACKPLATE RH	1
7	94562	BRACE, BACKPLATE LH	1
8	710079	SCREW 5/16-18X.75 HHWATAP	4
9	94234	BRACKET, TRANSAXLE	1
10	95396	ASSY, SHIFT BRACE LEVER	1
12	710079	SCREW, 5/16-18X.75 HHWATAP	4
13	94237	ASM. IDLER MOUNT, FRONT	1
14	710079	SCREW, 5/16-18X.75 HHWATAP	4
15	690504	PLATE, STEERING	1
16	710079	SCREW, 5/16-18X.75 HHWATAP	6
17	94019	CRANK, PTO	1
18	94005	BRACKET, BELL CRANK	1
19	710079	SCREW, 5/16-18X.75 HHWATAP	2
20	120395	WASHER, FLAT .469X.92X.065	1
23	94013	BRACKET, HANGER REAR	1
24	710079	SCREW, 5/16-18X.75HHWATAP	6
26	94121	GEAR, SECTOR	1
27	94123	BEARING, SECTOR GEAR	1
28	710312	SCREW, 5/16-18X1.00	1
29	710105	NUT, 5/16-18 HEXKEPS 15X113	1
30	94241	ASM., CLUTCH/BRAKE PEDAL	1
31	710079	SCREW, 5/16-18X.75 HHWATAP	4
32	94285	BRACKET, SUSPENSION ASM.	2
33	710079	SCREW, 5/16-18X.75 HHWATAP	4
34	94566	BRACE, RAIL	1
35	710079	SCREW, 5/16-18X.75 HHWATAP	2
36	93349	ZINC SCREW GUIDE	2
37	710204	NUT, 5/16-18 HEXWDFLLK WHIZ	2
38	94015	BRACKET, PIVOT	1
39	845	WASHER, FLAT .390X1.25X.119	1
40	710000	BOLT, .562X1.563 HSH 3/8-16	1
41	710140	NUT, 3/8-16 HWDFFLLK MACK 15X84	1

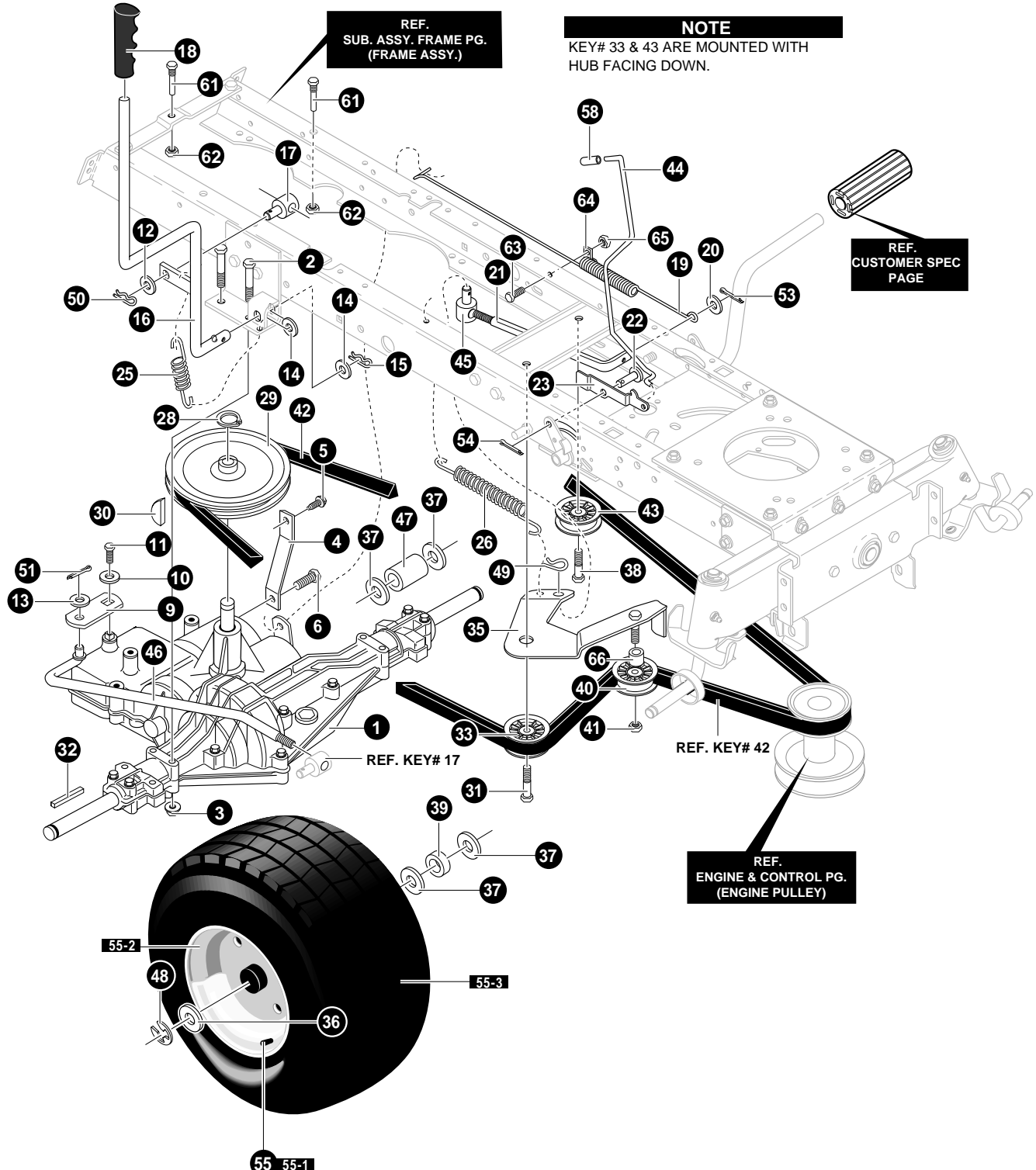


NOTE: ALWAYS USE ORIGINAL EQUIPMENT PARTS.  
Use of service/replacement parts other than original equipment parts may void your warranty.

ALL UNNUMBERED  
ITEMS ARE INTERCHANGEABLE  
WITH OPPOSITE SIDE

# FRAME ASSEMBLY

KEY NO.	PART NO.	DESCRIPTION	QTY
60	94006	ENGINE PLATE	1
61	710079	SCREW, 5/16-18X.75 HHWATAP	4
62	710205	NUT, 5/16-18 WDFLLK 15X88	4
67	45174	NUT, 5/16-18 HEXWDFLLK WHIZ	2
68	94310	GUIDE-STACK PULLEY BELT	1
69	706	ZERK, GREASE FITTING	2
70	95405	AXLE, CAST MACHINED REBA	1
71	95182	SPINDLE, LONG RH	1
72	95183	SPINDLE, LONG LH	1
73	92527	BEARING, SPINDLE	4
74	710129	WASHER, .766IDX1.62ID	2
75	710103	E-RING .574IDX.050X.750SH 11X3	2
76	710088	WASHER, FLAT .765X1.81X.059	2
77	94007	HANGER, AXLE	1
78	690199	HANGER, DECK RH	1
79	690198	HANGER, DECK LH	1
80	180113	SCREW, 5/16-18X3.00	2
81	710205	NUT, 5/16-18 WDFLLK 15X88	2
82	710079	SCREW, 5/16-18X.75 HHWATAP	5
83	95328	DRAG LINK RH	1
84	95329	DRAG LINK LH	1
86	710140	NUT, 3/8-16 HWDFLLK MACK 15X84	2
87	710440	SHOULDER BOLT 9X57	2
88	710140	NUT, 3/8-16 HWDFLLK MACK 15X84	2
89	710082	SCREW, 3/8-16X1.5	2
90	710083	WASHER FLAT .391X1.00X.083	2
91	710142	WASHER FLAT .406X.81X16GA	2
94	690036	BRACKET - SEAT DECK L.H.	1
95	690035	BRACKET - SEAT DECK R.H.	1
96	710079	SCREW, 5/16-18X.75 HHWATAP	1
97	710204	NUT, 5/16-18 HEXWDFLLK WHIZ	1
100	710205	NUT, 5/16-18 WDFLLK	4



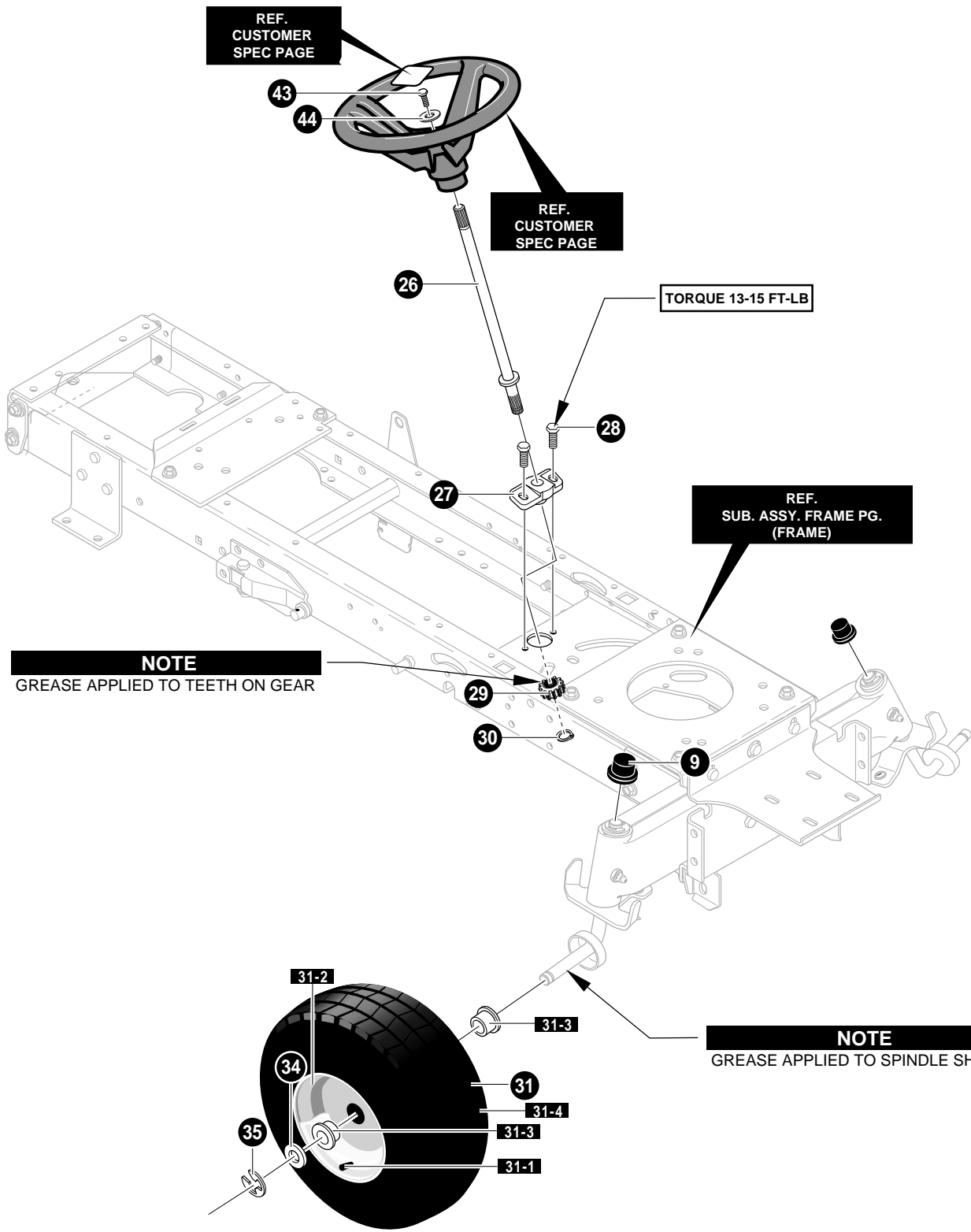
NOTE: ALWAYS USE ORIGINAL EQUIPMENT PARTS. Use of service/replacement parts other than original equipment parts may void your warranty.

ALL UNNUMBERED ITEMS ARE INTERCHANGEABLE WITH OPPOSITE SIDE

# MOTION DRIVE ASSEMBLY

KEY NO.	PART NO.	DESCRIPTION	QTY
1	*	TRANSAXLE HYDRO MST206-512A	1
2	711669	SCREW, 5/16-18X2.50	4
3	711634	NUT, 5/16-18 WDFLLK	4
4	94620-853	BRACKET, STABILIZER	1
5	711606	SCREW, 5/16-18X.75 HHWATAP	2
6	710268	SCREW, 5/16-18X.75 WAHHTAP	2
9	94227	BRKT, SHIFT	1
10	711895	WASHER, .750X.250 SP-TRANSAXLE	1
11	710345	SCREW, 1/4-28X.750	1
12	583409	WASHER, FLAT .391X1.00X.125	1
13	71072	WASHER, FLAT .406X.81X.066	1
14	711894	WASHER, FLAT .515X.88X.064	2
15	711899	PIN, HAIR .53DIA X1.62LG	1
16	690087	SHIFT LEVER	1
17	711591	NUT, ADJ 3/8-16 TAP	1
18	94497	GRIP, LIFT 1/2"	1
19	95424	SPRING, BRAKE	1
20	711921	WASHER, FLAT.328X1.06X.062	1
21	690016	ROD, CLUTCH	1
22	711903	PIN, CLEVIS	1
23	95290	LATCH, PARK BRAKE	1
25	35410	SPRING, .071X.62X4.37	1
26	711522	SPRING, TENSION	1
28	710340	RING, RETEX .58X.04TRU	1
29	94571	PULLEY, 9.0	1
30	50795	KEY, HI-PRO 606	1
31	711905	SCREW, 3/8-16X1.25	1
32	52928	KEY, SQUARE	2
33	95531	PULLEY, IDLER	1
35	94238-853	ASSY, IDLER ARM TRACTION	1
36	711758	WASHER, FLAT .765X1.81X.059	2
37	711904	WASHER, FLAT .755ID	6
38	711905	SCREW, 3/8-16X1.25	1
39	95418	SPACER, .87X1.25	2
40	690409	PULLEY, IDLER 2.75 DIA	1
41	711920	NUT, 3/8-16 HWDFLLK	1
42	94608	BELT, V 4L 114.12	1
43	95531	PULLEY, IDLER V4L3.00X.710	1
44	690047	PARK BRAKE CONTROL ROD	1
45	711898	NUT, 5/16-18X3/8 ADJUSTING	1
46	690027	ROD, SHIFT LINK	1
47	95419	SPACER, .87X2.25 WHEEL	1
48	710103	E-RING .574IDX.050/.75	2
49	711659	PIN, HAIR .072DIA X1.13LG	1
50	711682	PIN, HAIR	1
51	71081	PIN, COTTER .094 DIA X.75LG	1
53	71081	PIN, COTTER .094 DIA X.75LG	1
54	71081	PIN, COTTER .094 DIA X.75LG	1
55	692290	TIRE & RIM	2
55-1	338512	VALVE STEM	1
55-2	338524	RIM, CARL	1
55-3	338526	TIRE, 20X8X8	1
58	335980	CAP, DUMP VALVE ROD	1
61	20619	SCREW GUIDE	1
62	710026	NUT, 1/4-20 HEXNYL	1
63	313686	SCREW, 1/4-20X.50	1
64	711742	RETAINER, WIRE .31IDX.62X.03	1
65	780285	NUT, 1/4-20 WDFLWHIZ-LK	1
66	690369	SPACER 1/2 TO 17MM	1

\* CONTACT YOUR NEAREST TRANSAXLE DEALER FOR PARTS AND SERVICE.



**NOTE**  
GREASE APPLIED TO TEETH ON GEAR

**NOTE**  
GREASE APPLIED TO SPINDLE SHAFT

NOTE: ALWAYS USE ORIGINAL EQUIPMENT PARTS. Use of service/replacement parts other than original equipment parts may void your warranty .

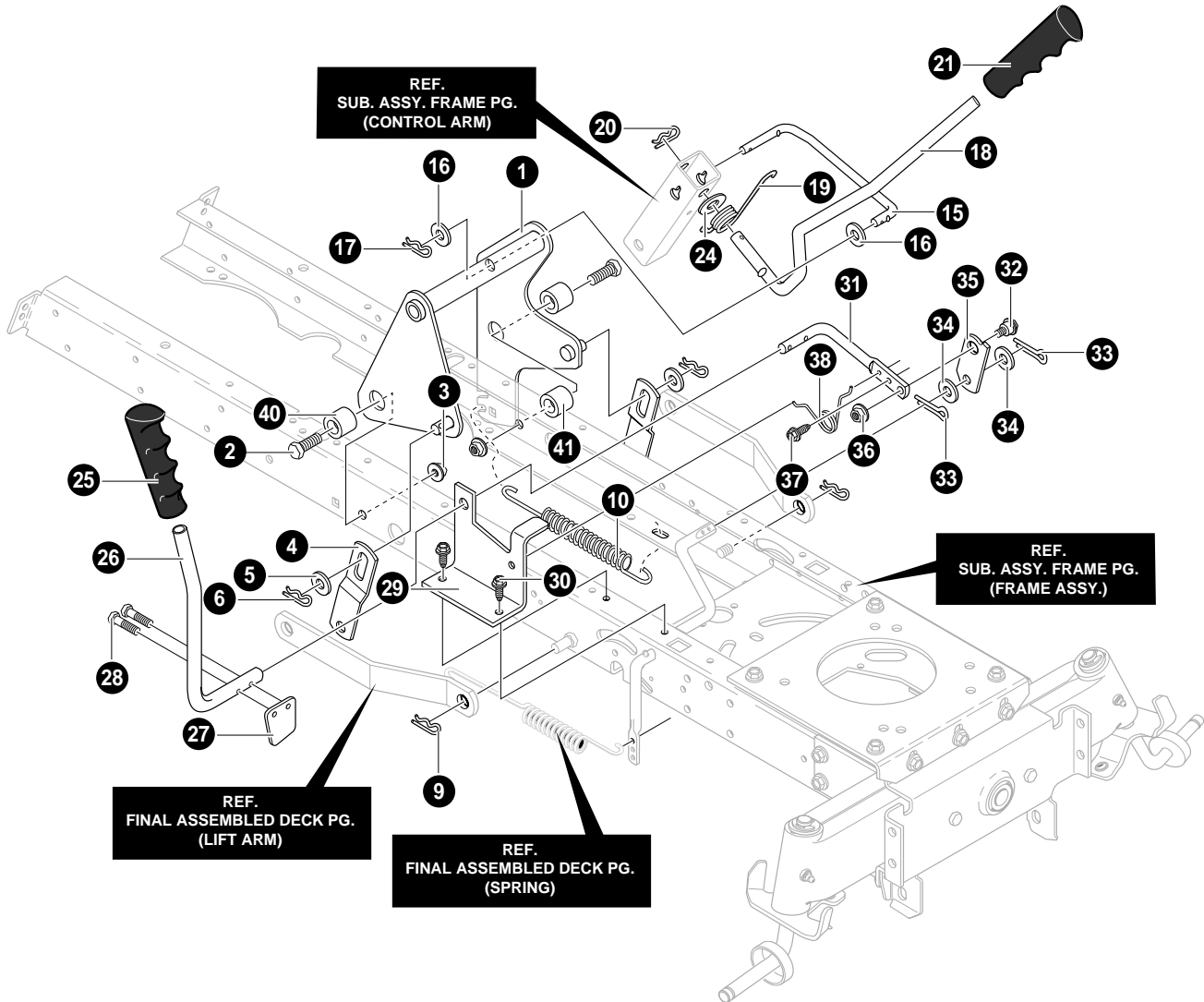
ALL UNNUMBERED ITEMS ARE INTERCHANGEABLE WITH OPPOSITE SIDE

344861A

# STEERING ASSEMBLY

KEY NO.	PART NO.	DESCRIPTION	QTY
9	94618	DUST HUB CAP	2
26	94520	SHAFT, STEERING	1
27	94124	BEARING-LOWER	1
28	711606	SCREW, 5/16-18X.75	2
29	94122	GEAR PINNION	1
30	710102	RING, RET E.	1
31	690049	TIRE&RIM, 15X6.0-6	2
31-1	338512	VALVE STEM	1
31-2	338517	RIM	1
31-3	338513	BEARING	1
31-4	338516	TIRE, 15X6X6	1
34	711758	WASHER, FLAT .765X1.81X.059	2
35	710103	E-RING	2
43	711719	SCREW, 1/4-20X.75 HHC	1
44	711663	WASHER, FLAT .281X1.25X.06	1





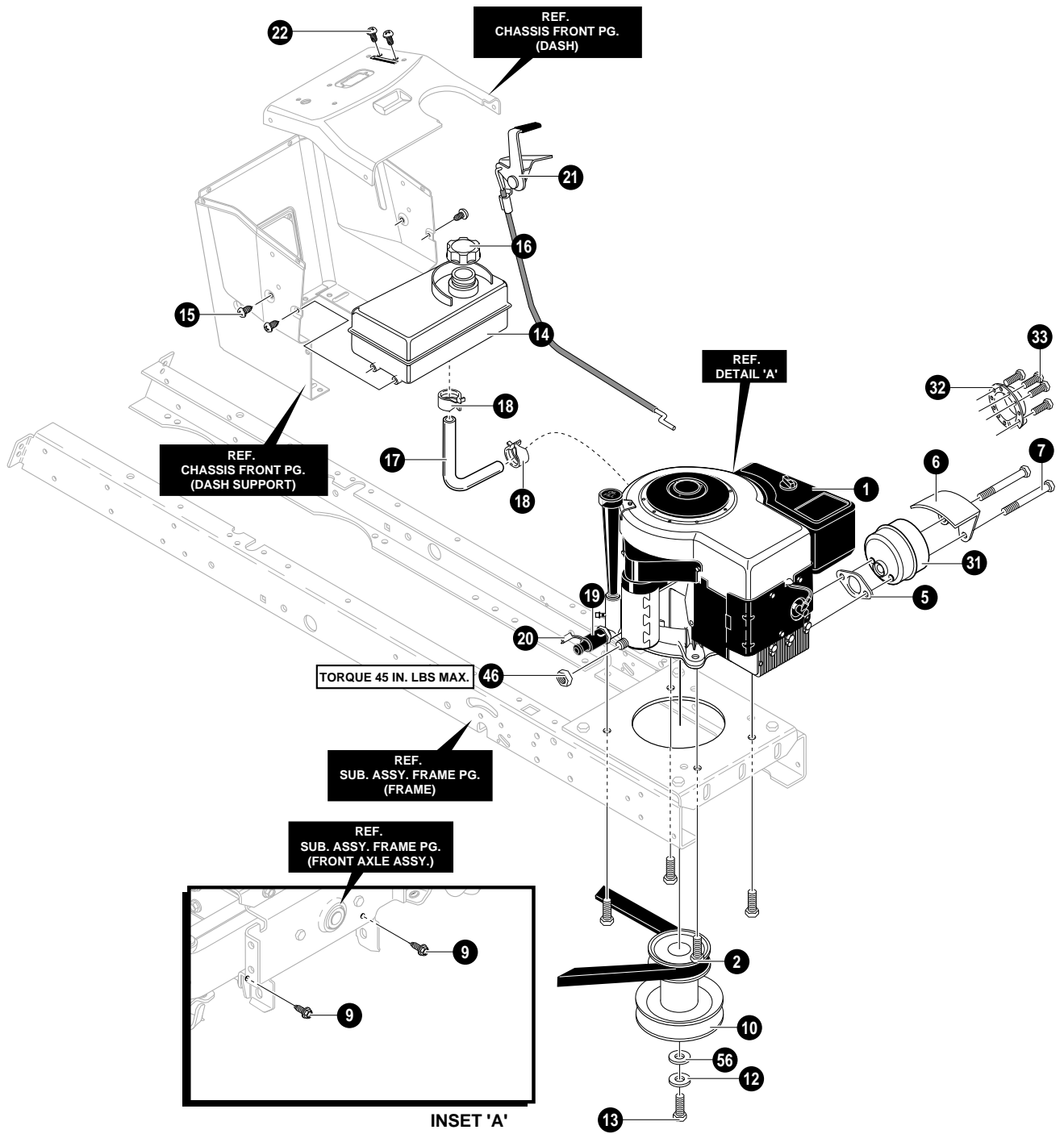
NOTE: ALWAYS USE ORIGINAL EQUIPMENT PARTS.  
Use of service/replacement parts other than original equipment parts may void your warranty.

ALL UNNUMBERED  
ITEMS ARE INTERCHANGEABLE  
WITH OPPOSITE SIDE

344419A

## MOWER SUSPENSION ASSEMBLY

KEY NO.	PART NO.	DESCRIPTION	QTY
1	95233-853	ASSEMBLY, LIFT ARM	1
2	711917	SCREW, 1/2-13X1.50	2
3	711918	NUT, 1/2-13 LOCK	2
4	94262-853	BRACKET, LIFT LINK	2
5	711617	WASHER, FLAT	2
6	711676	PIN, HAIR	2
9	711676	PIN, HAIR	2
10	710235	SPRING, EXTENSION 9.82X1.01 OD	1
15	711981	LINK - LIFT HANDLE	1
16	711617	WASHER, FLAT	2
17	711676	PIN, HAIR	1
18	95296	HANDLE, LIFT	1
19	710111	TORSION SPRING	1
20	711676	PIN, HAIR	1
21	94497	GRIP, LIFT	1
24	711616	WASHER, FLAT .550X1.00X11	1
25	94496	GRIP	1
26	712034	PTO HANDLE	1
27	95284	ZINC PADDLE, SWITCH	1
28	711621	SCREW, THREAD FORM	2
29	94018-853	BRACKET, PTO	1
30	780055	SCREW, 5/16-18X.50	2
31	95283	ZINC LEVER, PTO	1
32	711613	BOLT, .50X.75 HSSH 3/8-16	1
33	711659	PIN, HAIR	2
34	711615	WASHER, FLAT .518X.87X16	2
35	95282	ZINC LINK PTO	1
36	711622	NUT, 3/8-16 HWDFLLK MACK	1
37	711606	SCREW, 5/16-18X.75	1
38	710141	TORSION SPRING	1
40	94309	SPACER	2
41	56150	SPACER, SLEEVE	1



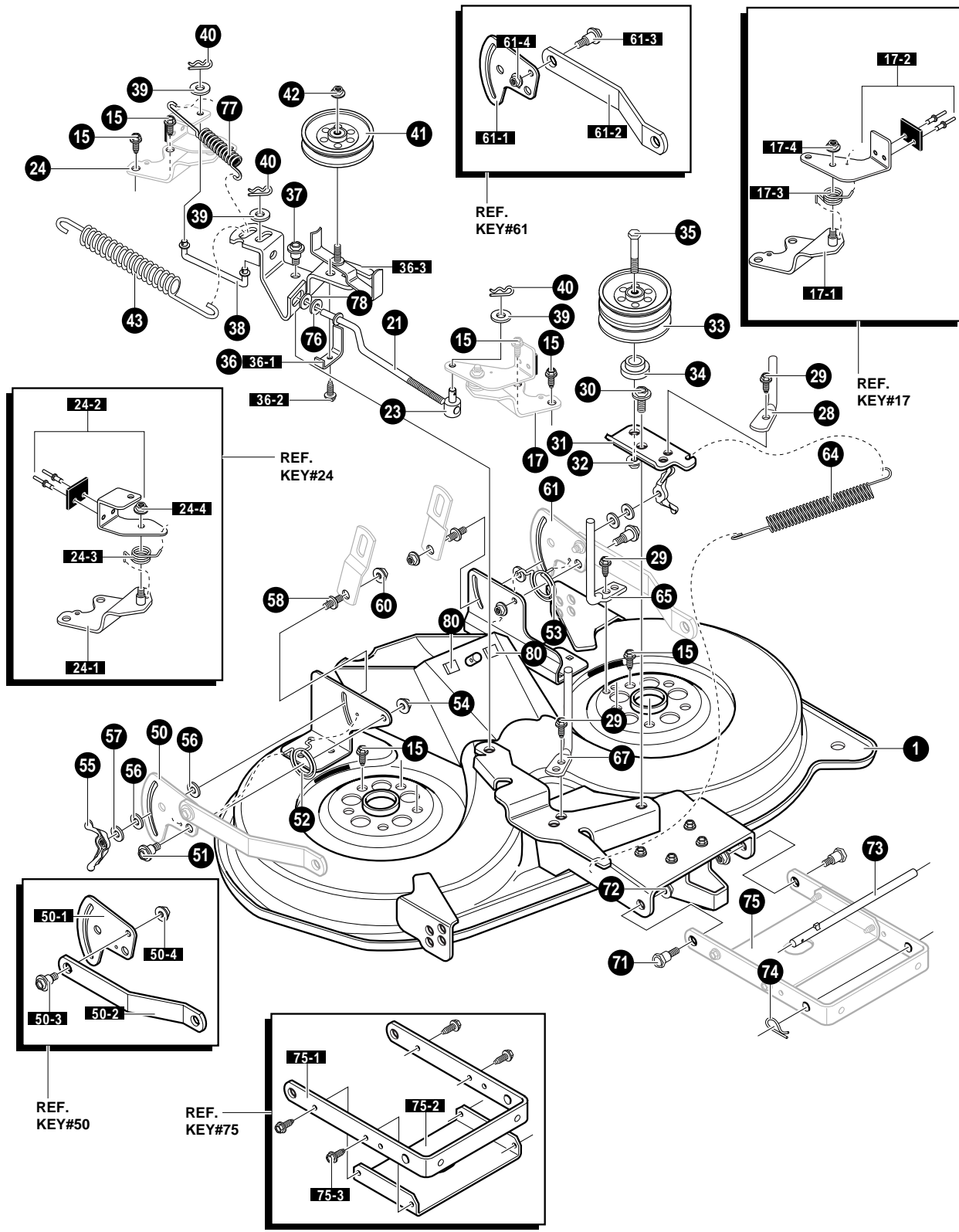
NOTE: ALWAYS USE ORIGINAL EQUIPMENT PARTS. Use of service/replacement parts other than original equipment parts may void your warranty.

ALL UNNUMBERED ITEMS ARE INTERCHANGEABLE WITH OPPOSITE SIDE

344992A

## ENGINE & CONTROL ASSEMBLY

KEY NO.	PART NO.	DESCRIPTION	QTY
1	ENGINE	12.5HP (SEE ENGINE MANUAL)	1
2	710199	SCREW, 3/8-16X1.25	4
5	91309	GASKET, MUFFLER	1
6	91277	SHIELD, HEAT	1
7	712065	SCREW, 5/16-18X4.125	2
9	711606	SCREW, 5/16-18X .75	2
10	690456	STACK PULLEY ASSY	1
12	120383	WASHER, REGSPTLK .459X.78X.12	1
13	710248	SCREW, 7/16-20 NF1.50	1
14	94073	FUEL TANK 1.4 GALLON	1
15	711681	SCREW, .15TPIX	4
16	92317	FUEL CAP	1
17	50118	GAS LINE	14.50 IN.
18	336890	CLAMP, FUEL CLAMP	2
19	325547	OIL DRAIN VALVE ASSEMBLY	1
20	327422	CAP, OIL DRAIN VALVE	1
21	94361	THROTTLE CONTROL	1
22	711637	SCREW, #8-16X.38	2
31	91271	MUFFLER	1
32	23740	DEFLECTOR, EXHAUST	1
33	712070	SCREW, #8-32X.38 HHWATAP	4
46	711601	NUT, 1/4-20 REGHXJAM	1
56	710247	WASHER, FLAT .480X1.00X.25	1

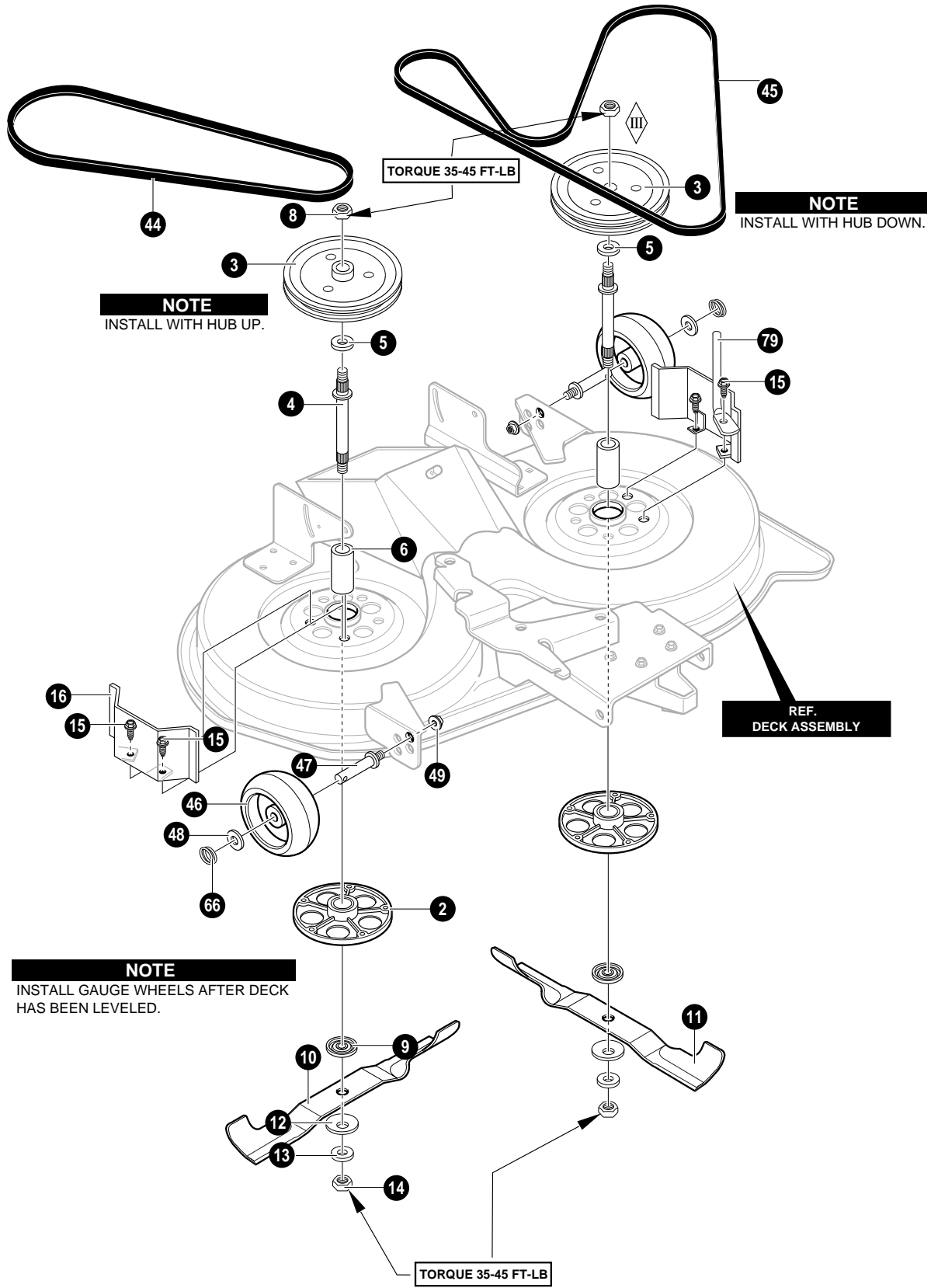


NOTE: ALWAYS USE ORIGINAL EQUIPMENT PARTS. Use of service/replacement parts other than original equipment parts may void your warranty .

ALL UNNUMBERED ITEMS ARE INTERCHANGEABLE WITH OPPOSITE SIDE

# DECK ASSEMBLY

KEY NO.	PART NO.	DESCRIPTION	QTY
1	690109-853	HOUSING, 40" DECK	1
17	94665-853	BRAKE ARM ASSEMBLY LH	1
17-1	94293	BRAKE SUPPORT ASSEMBLY LH	1
17-2	94291	BRAKE ARM ASSEMBLY LH	1
17-3	710110	SPRING, TORSION	1
17-4	710205	NUT, 5/16-18	1
21	690021	LINK, BRAKE LH	1
23	711591	NUT, ADJUST	1
24	94664-853	BRAKE ARM ASSEMBLY RH	1
24-1	94294	BRAKE SUPPORT ASSEMBLY RH	1
24-2	94292	BRAKE ARM ASSEMBLY RH	1
24-3	710077	SPRING, TORSION	1
24-4	710205	NUT, 5/16-18	1
28	711912	GUIDE, BELT	1
29	711914	SCREW,5/16-18 X .50	3
30	711613	BOLT, SHOULDER	1
31	94261-853	ARM, DOUBLE IDLER	1
32	711622	NUT, 3/8-16	1
33	94279	PULLEY, IDLER DOUBLE VEE	1
34	94269	SPACER	1
35	711915	SCREW, 3/8-16X3.00	1
36	94973-853	IDLER ARM ASSY	1
36-1	94312	SPRING - GUIDE BELT	1
36-2	710264	SCREW, 1/4-20X .50	1
36-3	94298	IDLER ARM ASSEMBLY	1
37	711613	BOLT., SHOULDER	1
38	690023	LINK, BRAKE RH	1
39	712480	WASHER, FLAT .375X.87 INSULATE	3
40	711682	PIN, HAIR	3
41	690024	PULLEY, V IDLER 4"	1
42	711622	NUT,3/8-16	1
43	710234	SPRING, EXTENSION	1
50	690158-853	ASSEMBLY, PLATE, REAR SUS.BRKT.RH	1
50-1	94128	PLATE - SUSPENSION	1
50-2	94055	SUSPENSION BRACKET REAR'	1
50-3	710095	BOLT, SHOULDER	1
50-4	710140	NUT,3/8-16	1
51	711611	BOLT, SHOULDER	2
52	710112	SPRING, TORSION RH	1
53	710113	SPRING, TORSION LH	1
54	711622	NUT,3/8-16	2
55	711600	WINGNUT, 5/16-18	2
56	94137	PAD, FRICTION	4
57	711628	WASHER	2
58	711595	PIN, HANGER	2
60	711622	NUT, 3/8-16	2
61	690159-853	ASSEMBLY, PLATE, REAR SUS.BRKT.LH	1
61-1	94128	PLATE - SUSPENSION	1
61-2	94055	SUSPENSION BRACKET, REAR	1
61-3	710095	BOLT, SHOULDER 3/8-16	1
61-4	710140	NUT,3/8-16	1
64	710233	SPRING, EXTENSION	1
65	711913	GUIDE, BELT	1
67	690030	GUIDE, BELT	1
71	711611	BOLT, SHOULDER	2
72	711622	NUT, 3/8-16	2
73	95295	ROD, HANGER	1
74	711676	PIN, HAIR	1
75	690058-853	ASSEMBLY, BRACKET & STIFFENER	1
75-1	94058	BRACKET, FRONT SUSPENSION	1
75-2	95057	STIFFENER	1
75-3	710079	SCREW, 5/16-18X.75	4
76	583409	FLAT WASHER .391X1.00X.125	1
77	710658	SPRING, EXTENSION	1
78	712480	WASHER, FLAT .375X.87 INSULATE	1
80	318197	PAD, ADHESIVE 1.00X1.50X.12	2



NOTE: ALWAYS USE ORIGINAL EQUIPMENT PARTS. Use of service/replacement parts other than original equipment parts may void your warranty.

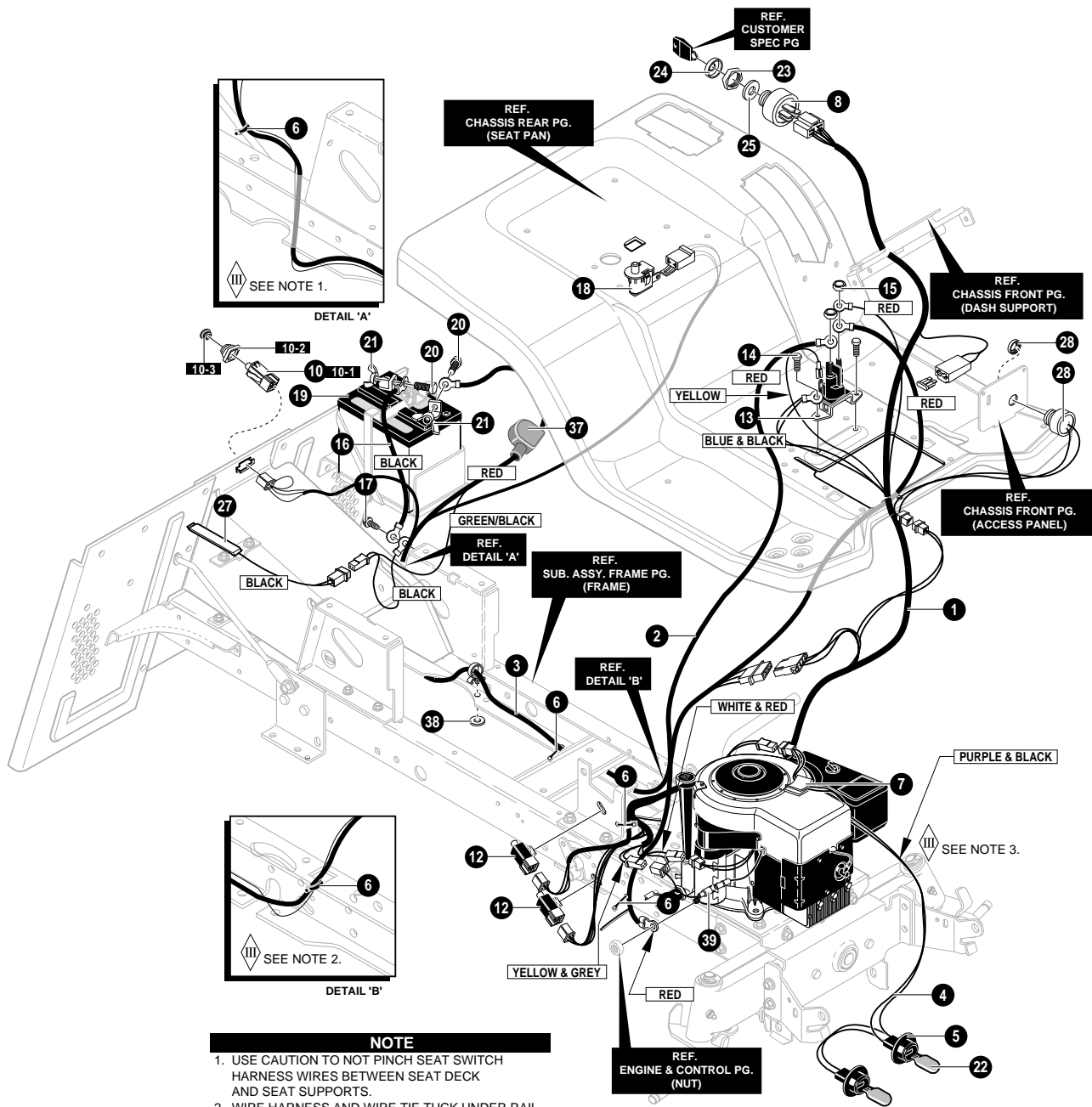
ALL UNNUMBERED ITEMS ARE INTERCHANGEABLE WITH OPPOSITE SIDE

344276B

# DECK ASSEMBLY

KEY NO.	PART NO.	DESCRIPTION	QTY
2	94305	ASSEMBLY, JACKSHAFT HOUSING	2
3	690020	PULLEY, DECK	2
4	91922	JACKSHAFT	2
5	710117	WASHER, FLAT	2
6	91903	SPACER, .625X.875X1.91	2
8	711910	NUT, 9/16-18	2
9	94207	ADAPTER, DECK/BLADE 40"	2
10	690499	BLADE, LH	1
11	690500	BLADE, RH	1
12	710118	WASHER, BELLVILLE	2
13	710117	WASHER, FLAT	2
14	711910	NUT, 9/16-18	2
15	711911	SCREW, 3/8-16X1.00	10
16	94288-853	COVER PULLEY	2
44	710231	BELT, V 46.5LG	1
45	690071	BELT, DECK	1
46	92683	GAUGE WHEEL	2
47	711746	BOLT, SHOULDER	2
48	711615	WASHER, FLAT	2
49	711622	NUT, 3/8-16	2
66	711764	PIN, CIRCLE	2
79	95280	ROD, BELT GUIDE	1



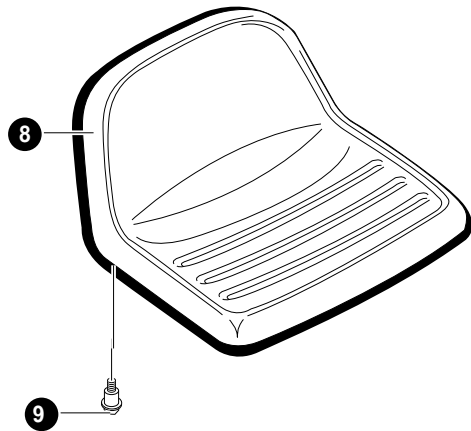
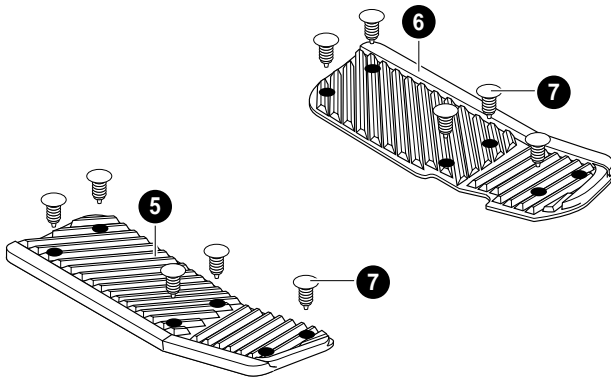
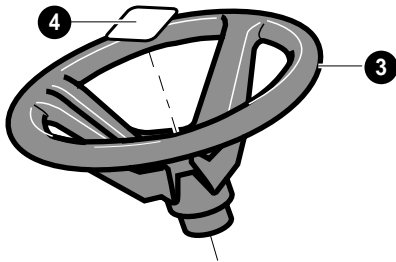
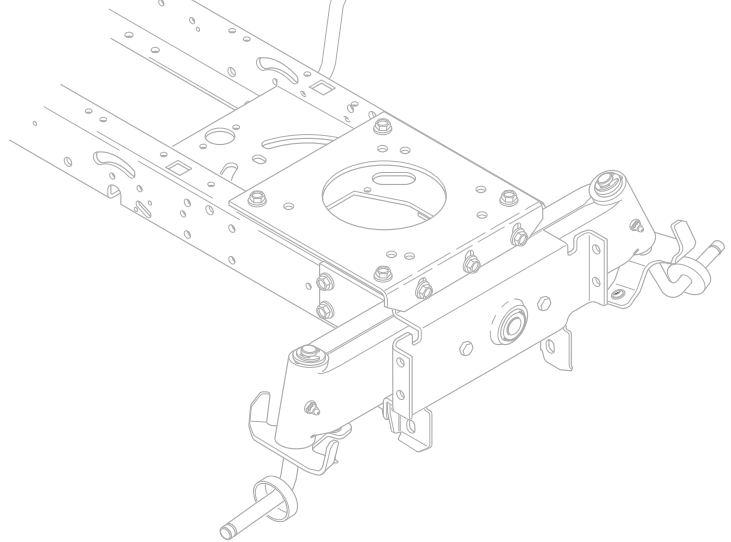
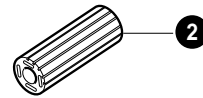
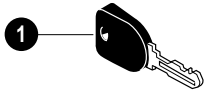


**NOTE**

1. USE CAUTION TO NOT PINCH SEAT SWITCH HARNESS WIRES BETWEEN SEAT DECK AND SEAT SUPPORTS.
2. WIRE HARNESS AND WIRE TIE TUCK UNDER RAIL.
3. ROUTE HEADLIGHT HARNESS BETWEEN AIR FILTER AND ENGINE COVER. TIE HEADLIGHT HARNESS TO FUEL LINE.

# ELECTRICAL ASSEMBLY

KEY NO.	PART NO.	DESCRIPTION	QTY
1	95380	WIRE HARNESS	1
2	711579	WIRE, LEAD SOLENOID TO STARTER	1
3	95381	REAR HARNESS	1
4	340513	WIRE HARNESS FOR HEADLIGHTS	1
5	92372	SOCKET, LAMP	2
6	57444	TIE, CABLE BLACK NYLON 5.62L	4
7	55939	WIRE CLIP, ADHESIVE	1
8	94878	SWITCH, IGNITION	1
10	690106	ASSY, SWITCH DOUBLE POLE DELTA	1
10-1	320082	SWITCH, DOUBLE	1
10-2	690074	BOOT, SWITCH	1
10-3	690075	SWITCH CAP	1
12	94136	SWITCH LIMIT	2
13	94613	SOLENOID	1
14	711619	SCREW, 1/4X.50	2
15	711632	NUT, 1/4-20 HEXNYL	2
16	95420	WIRE, GROUND	1
17	711619	SCREW, 1/4X.50	1
18	94159	SWITCH, SEAT	1
19	92739	BATTERY 5 PLATE MAINT FREE	1
20	711680	BOLT, 1/4-20X.63	2
21	711636	NUT, WING 1/4-20	2
22	90084	BULB, LIGHT	2
23	327352	NUT, 5/8-8 ACME DELTA FOR BOOT	1
24	300194	BOOT, IGN SWITCH	1
25	313683	WASHER, REGINTLK .640X1.1X.05	1
27	95330	TAPE SWITCH	1
28	95391	BUZZER, FOR BAG FULL	1
37	335417	BOOT BATTERY	1
38	711666	WASHER, FLAT .250X56X.0478	1
39	94348	HARNESS ADAPTER	1
	302031	15 AMP FUSE	



KEY NO.	PART NO.	DESCRIPTION	QTY
1	327350	IGNITION KEY	2
2	21544	COVER PEDAL BRAKE/CLUTCH	1
3	95185	STEERING WHEEL	1
4	711326	INSERT 4-SPOKE	1
5	95409	FOOTREST PAD RH	1
6	95408	FOOTREST PAD LH	1
7	309235	FASTENER, RATCHET	10
8	94163	SEAT	1
9	711740	BOLT, HSH 5/16-18	2

344866A