

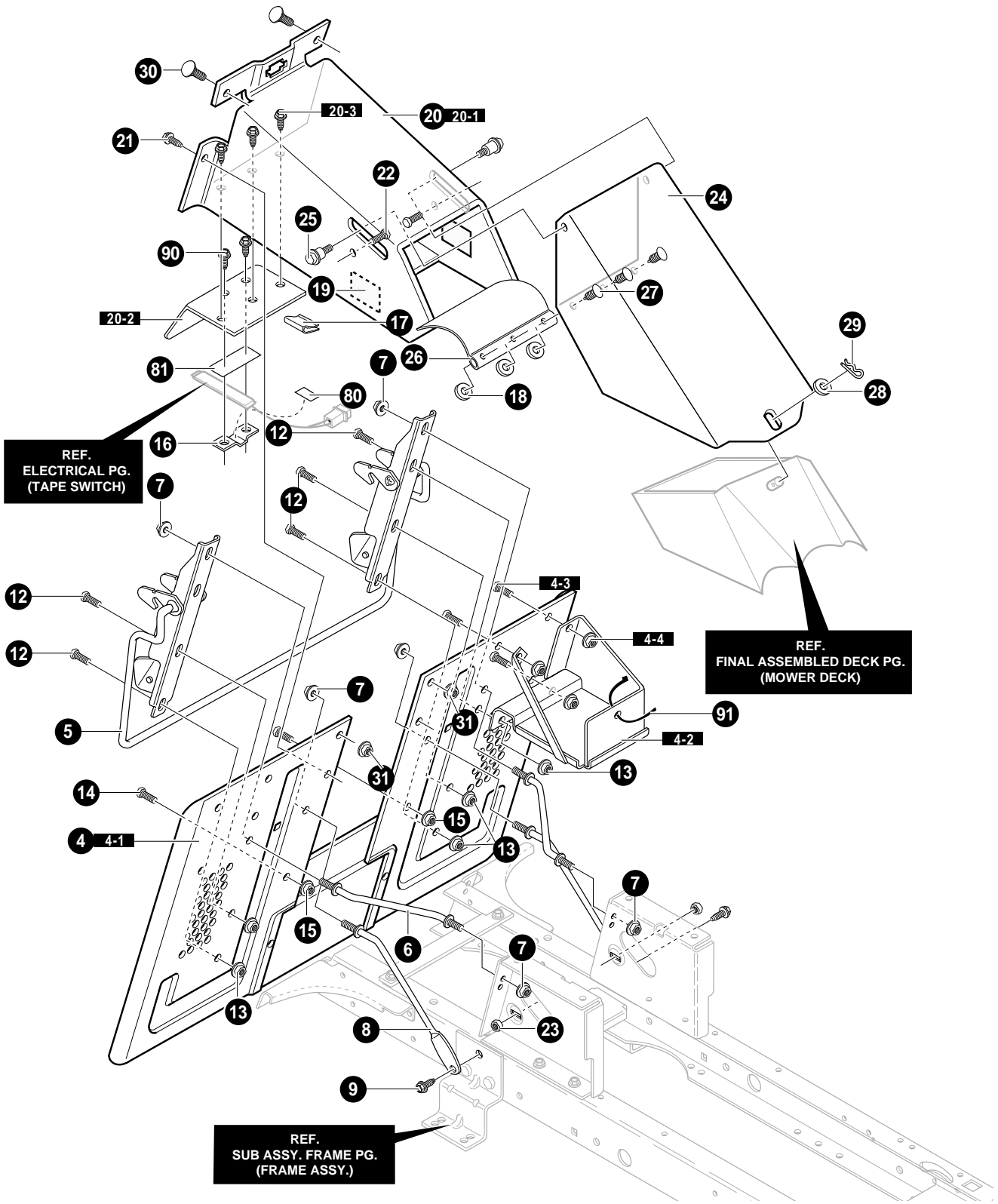
NOTE: ALWAYS USE ORIGINAL EQUIPMENT PARTS.
Use of service/replacement parts other than original
equipment parts may void your warranty.

ALL UNNUMBERED
ITEMS ARE INTERCHANGEABLE
WITH OPPOSITE SIDE

345162A

FRONT CHASSIS ASSEMBLY

KEY NO.	PART NO.	DESCRIPTION	QTY
1	MU94212-853	BRACKET, SUPPORT GRILLE RH	1
2	MU94213-853	BRACKET, SUPPORT GRILLE LH	1
3	MU711606	SCREW, 5/16-18X.75	4
4	MU94842	DASH	1
5	MU711629	SCREW, 10-24X.500	4
6	MU94214	BEARING FOR DASH	2
7	MU711762	SCREW, 1/4-14X.75 PHPANTAP	2
8	MU94211-853	PLATE-DASH PANEL	1
9	MU711629	SCREW, 10-24X.500TRSEGI	6
10	MU690104-848	ASM. LOWER CONSOLE SUPPORT	1
10-1	MU95323	SUPPORT, DASH	1
10-2	MU94215	SUPPORT, CHANNEL	1
11	MU711606	SCREW, 5/16-18X.75HHWATAP	4
13	MU94972-848	HOOD	1
14	MU92350	GRILLE ASSEMBLY	1
14-1	MU92343	GRILLE	1
14-2	MU92448	BRACE, GRILLE ASSY.	1
14-3	MU710282	SCREW, 1/4-14X.75PHPANTAP	2
14-4	MU92344	LENS, GRILLE	1
15	MU711679	SCREW, .230X.135PPANTAP	4
16	MU690093	ROD, HOOD PIVOT	1
17	MU711676	HAIR PIN	1
18	MU94313	BELLOWS	1
19	MU712063	WASHER, .39IDX2.25ODX.12 BELVILLE	1
20	MU95366-848	ACCESS PANEL W/BUZZER HOLE	1
21	MU710196	SCREW, 10-24X.500TRSEGI	2
	MU712584	OWNER'S MANUAL(NOT SHOWN)	

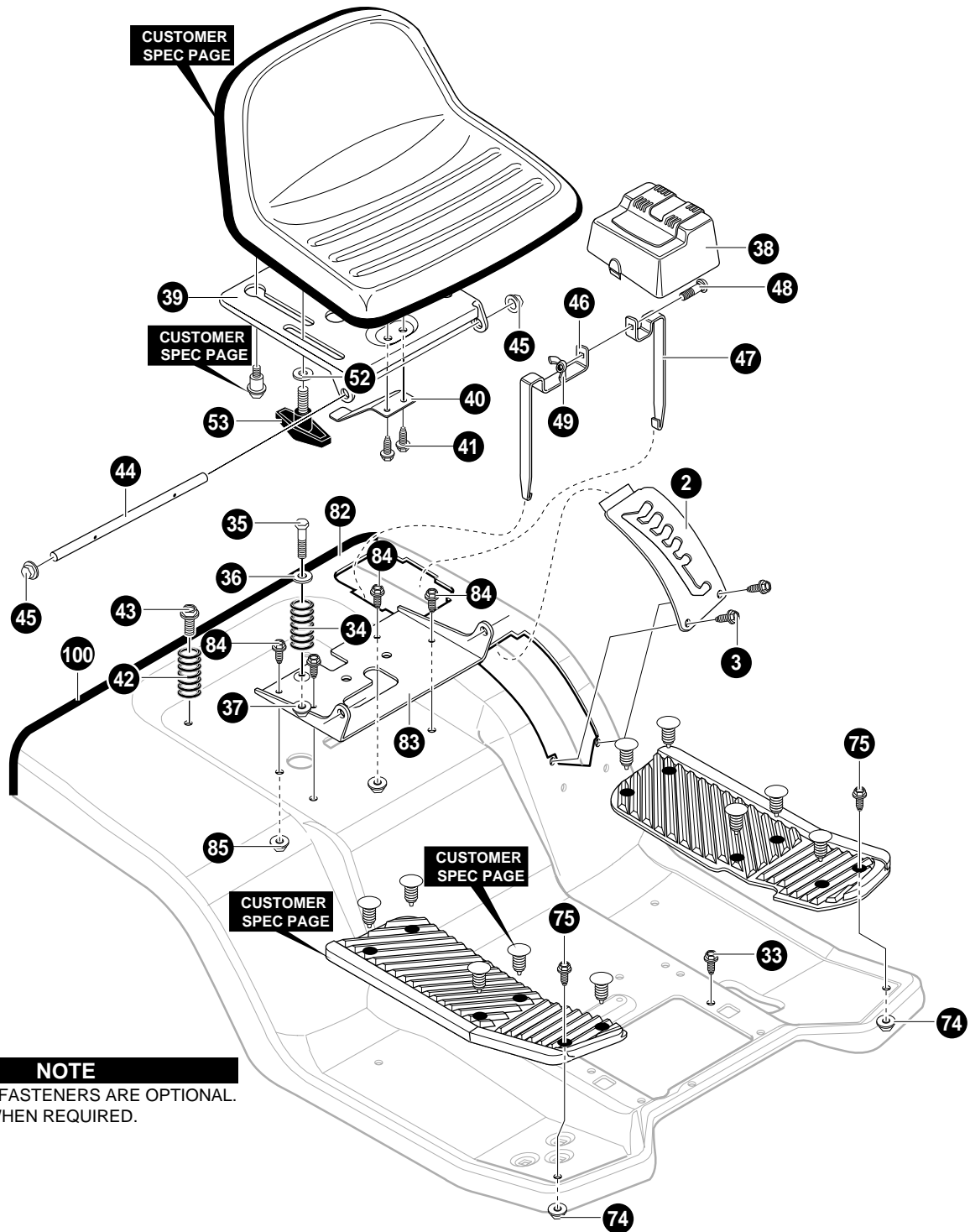


NOTE: ALWAYS USE ORIGINAL EQUIPMENT PARTS. Use of service/replacement parts other than original equipment parts may void your warranty.

ALL UNNUMBERED ITEMS ARE INTERCHANGEABLE WITH OPPOSITE SIDE

REAR CHASSIS ASSEMBLY

KEY NO.	PART NO.	DESCRIPTION	QTY
4	MU343678-853	ASSY, BACK PLATE/BATTERY	1
4-1	MU95162	ASM. BACK PLATE FLAT	1
4-2	MU94563	BATTERY TRAY ASM.	1
4-3	MU180073	SCREW, 5/16-18X.50 HHC	3
4-4	MU45174	NUT, 5/16-18 HEXWDFLLK WHIZ	3
5	MU95359-853	WELDMENT-LATCH LEVER	1
6	MU690097	ROD, BRACE	2
7	MU711906	NUT, 3/8-16 HWDFL WHIZ-LOCK	5
8	MU94231	ROD, BRACE	2
9	MU711606	SCREW, 5/16-18X.75 HHWATAP	2
12	MU711907	SCREW 5/16-18X.75 HXWDFL	5
13	MU710026	NUT, 5/16-18 HEXWDFLLK WHIZ	5
14	MU711606	SCREW 5/16-18X.75 HHWATAP	2
15	MU710026	NUT, 5/16-18 HEXWDFLLK WHIZ	2
16	MU690245	BRACKET, FLEX SWITCH MOUNTING	1
17	MU55939	WIRE CLIP, ADHESIVE	1
18	MU711666	WASHER, FLAT	3
19	MU318197	PAD, ADHESIVE 1.00X1.50X.12	2
20	MU690102-853	ASM., T/A SHIELD & UPPER CHUTE	1
20-1	MU94350	CHUTE WELD ASM. UPPER	1
20-2	MU95367	SHIELD, TRANSAXLE	1
20-3	MU711642	SCREW, 1/4-20X.63 HHWATAP	3
21	MU711606	SCREW, 5/16-18X.75 HHC	2
22	MU711688	BOLT, 5/16-18X.75 CARR	2
23	MU710026	NUT, 5/16-18 HEXWDFLLK WHIZ	2
24	MU94296-853	MIDDLE CHUTE ASSY	1
25	MU710440	BOLT, HSH	2
26	MU94264	FLAP, CHUTE	1
27	MU309235	FASTENER, RATCHET	3
28	MU711617	FLATWASHER	1
29	MU711682	PIN, HAIR .38DIAX1.64LG	1
30	MU711688	BOLT, 5/16-18X.75 CARR.	2
31	MU710026	NUT, 5/16-18 HEXWDFLLK WHIZ	2
80	MU712009	TAPE, DOUBLE SIDED FOAM 3/4" WD	0.560
81	MU712009	TAPE, DOUBLE SIDED FOAM 3/4" WD	3
90	MU711642	SCREW, 1/4-20X.63 HHWATAP	2
91	MU57444	CABLE TIE	1



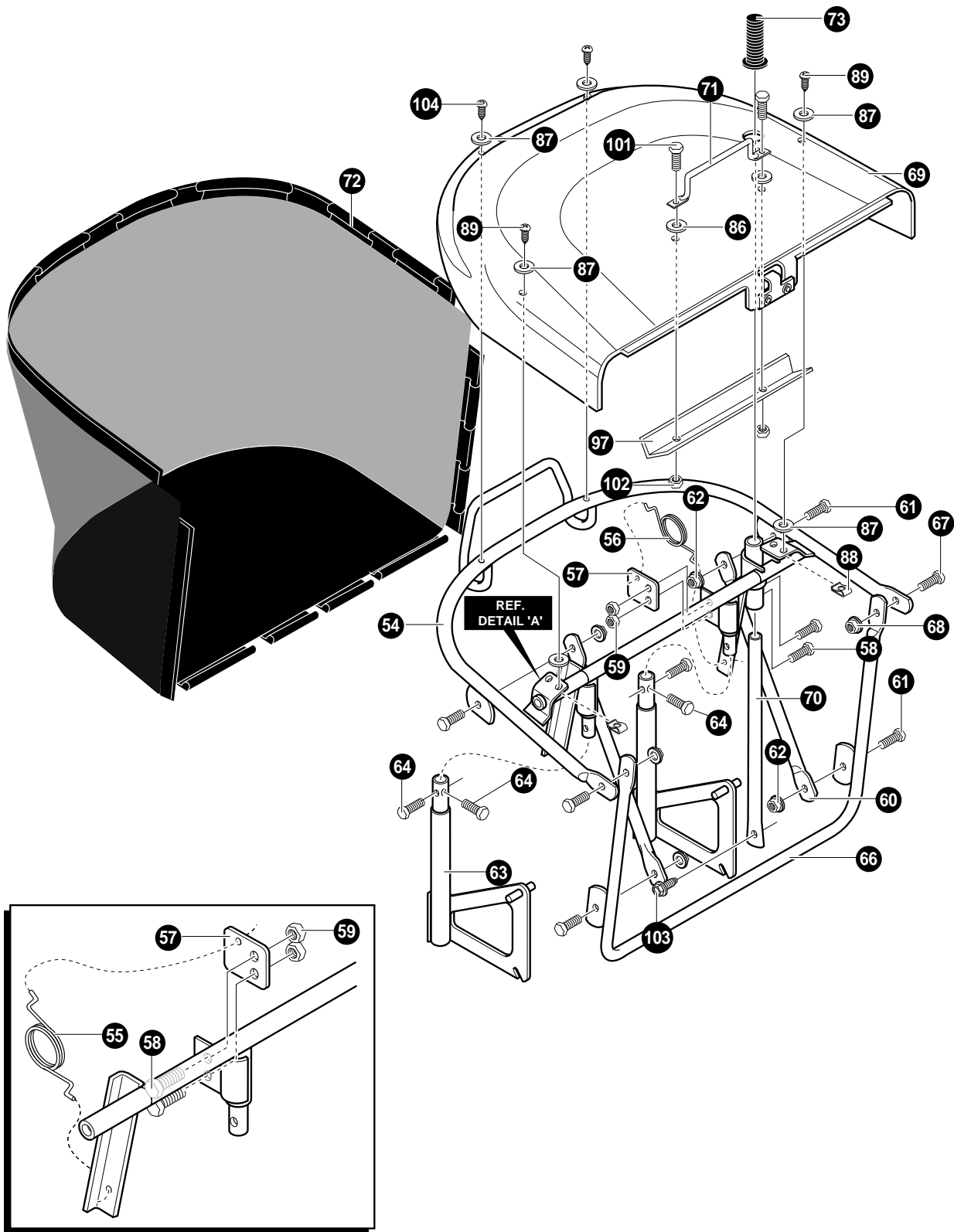
NOTE
 FOOTPAD & FASTENERS ARE OPTIONAL.
 ONLY USE WHEN REQUIRED.

NOTE: ALWAYS USE ORIGINAL EQUIPMENT PARTS.
 Use of service/replacement parts other than original
 equipment parts may void your warranty.

ALL UNNUMBERED
 ITEMS ARE INTERCHANGEABLE
 WITH OPPOSITE SIDE

REAR CHASSIS ASSEMBLY

KEY NO.	PART NO.	DESCRIPTION	QTY
2	MU95190-853	PLATE, LIFT DETENT	1
3	MU711741	SCREW, #12X.50 PHPNHTAP	2
33	MU711606	SCREW, 5/16-18X.75HHWATAP	1
34	MU710136	SPRING, COMPRESSION 4.57LGX1.17	1
35	MU711610	BOLT, SHOULDER 1/4-20	1
36	MU95293	ZINC WASHER CUP	1
37	MU302635	NUT, 1/4-20 CNTRLK	1
38	MU94200	COVER, BATTERY	1
39	MU94154-848	SUPPORT, SEAT	1
40	MU94057	SPRING-LEAF	1
41	MU711592	SCREW, 1/4-20X.50 WAHHTAP	2
42	MU710109	SPRING, COMPRESSION 2.43LG 164X30	2
43	MU711606	SCREW, 5/16-18X.75 HHWATAP	2
44	MU95294	ZINC HINGE SEAT PIVOT	1
45	MU711627	NUT, PUSH CAP .375	2
46	MU95393-853	BATTERY, BRACKET L.H.	1
47	MU95394-853	BATTERY BRACKET R.H.	1
48	MU711680	BOLT, 1/4-20X.63 CARR.	1
49	MU711636	NUT, WING 1/4-20 14X79	1
52	MU711644	WASHER, FLAT .344X.62X.06	2
53	MU711747	BOLT, WING 5/16-18X.50	2
74	MU710026	NUT, 5/16-18 HEXWDFLLK WHIZ	2
75	MU711891	BOLT, 5/16-18X.7A5 CARR.	2
82	MU94204-848	SEAT DECK GEAR DRIVE	1
83	MU94153-848	BRACKET, PIVOT SEAT	1
84	MU711606	SCREW, 5/16-18X.75 HHWATAP	4
85	MU711634	NUT, 5/16-18 WDFLLK	2
100	MU55021	TRIM	41 IN.



DETAIL 'A'

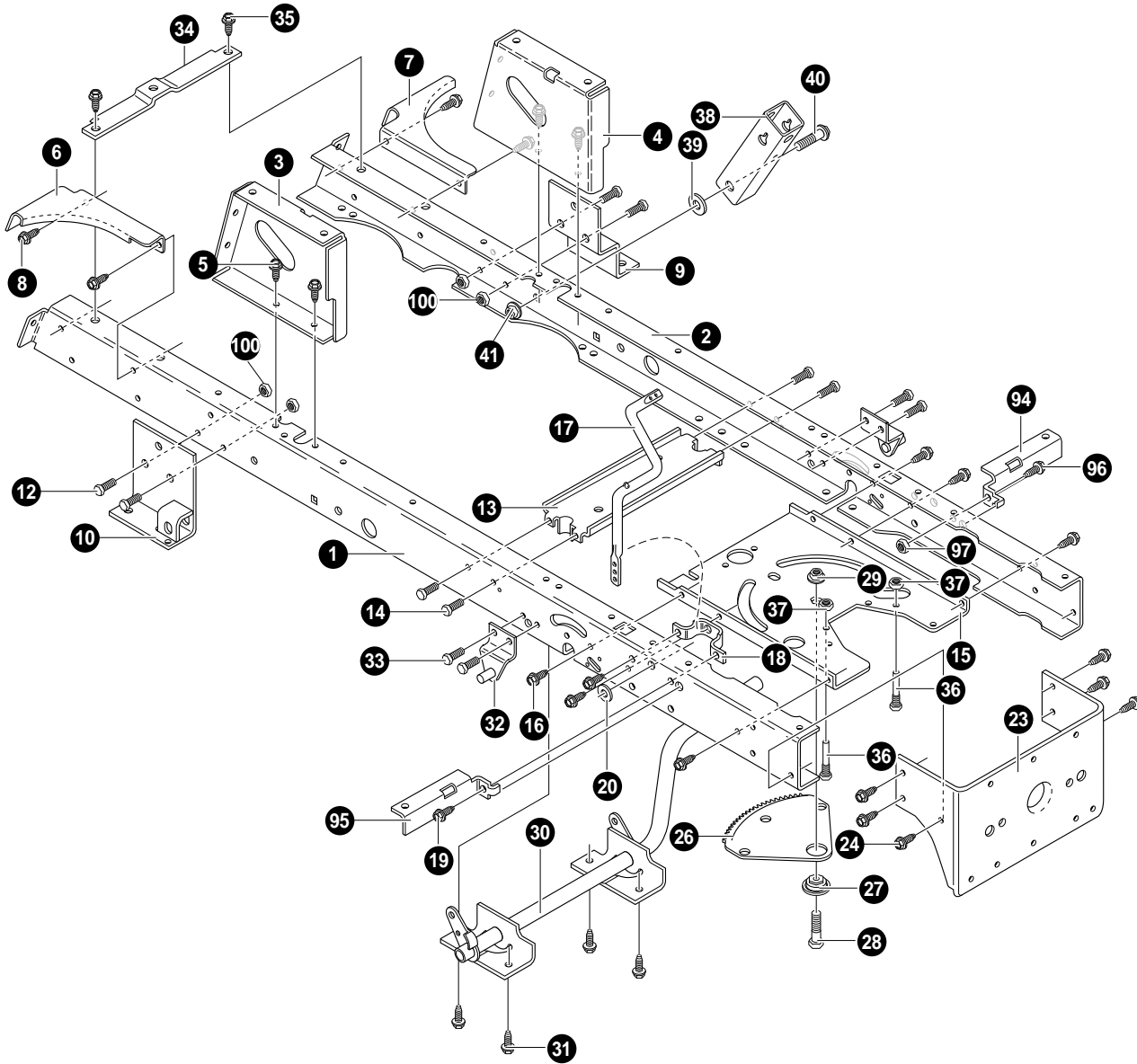
NOTE: ALWAYS USE ORIGINAL EQUIPMENT PARTS.
Use of service/replacement parts other than original
equipment parts may void your warranty.

ALL UNNUMBERED
ITEMS ARE INTERCHANGEABLE
WITH OPPOSITE SIDE

344862A

REAR CHASSIS ASSEMBLY

KEY NO.	PART NO.	DESCRIPTION	QTY
54	MU690044-853	ASM. WELD UPPER FRAME	1
55	MU690003	SPRING, TORSION RH	1
56	MU690004	SPRING, TORSION LH	1
57	MU95339-853	BRACKET, SPRING COLLECTOR	2
58	MU313686	SCREW, 1/4-20X.50 HHC	4
59	MU73826	NUT, 1/4-20 REGHEXCTRLK	4
60	MU94850-853	BRACE, FRAME COLLECTOR	2
61	MU711909	SCREW, 1/4-20X.62 HHC	4
62	MU711632	NUT, 1/4-20 HEXNYL	4
63	MU95343-853	WELD ASM., SUPPORT COLLECTOR	2
64	MU711653	SCREW, 5/16-18X1.50	4
66	MU95349-853	WELD ASM., FRONT FRAME COLLECT.	1
67	MU711909	SCREW, 1/4-20X.62 HHC	2
68	MU711632	NUT, 1/4-20 HEXNYL	2
69	MU94908-848	TOP COLLECTOR ASM.	2
70	MU690019	HANDLE, DUMP COLLECTOR	1
71	MU94855-853	HANDLE, REBA COLLECTOR	1
72	MU95389	REBA COLLECTOR BAG	1
73	MU94854	RUBBER GRIP	1
86	MU712129	WASHER, .281X1.25X.06	2
87	MU711921	WASHER, .328X1.06X.062	6
88	MU578107	NUT, 1/4-20 TINN U	2
89	MU711674	SCREW, 1/4-20X.63 PHPNHD	2
97	MU690010-853	BRACE, BAGGER	1
100	MU55023	TRIM 77.5 INCHES	22 IN.
101	MU712068	SCREW 1/4-20X1.50 PHPNHD	2
102	MU711632	NUT, 1/4-20 HEXNYL	2
103	MU711741	SCREW, #12X.50 PHPNHTAP	1
104	MU711741	SCREW, #12X.50 PHPNHTAP	2



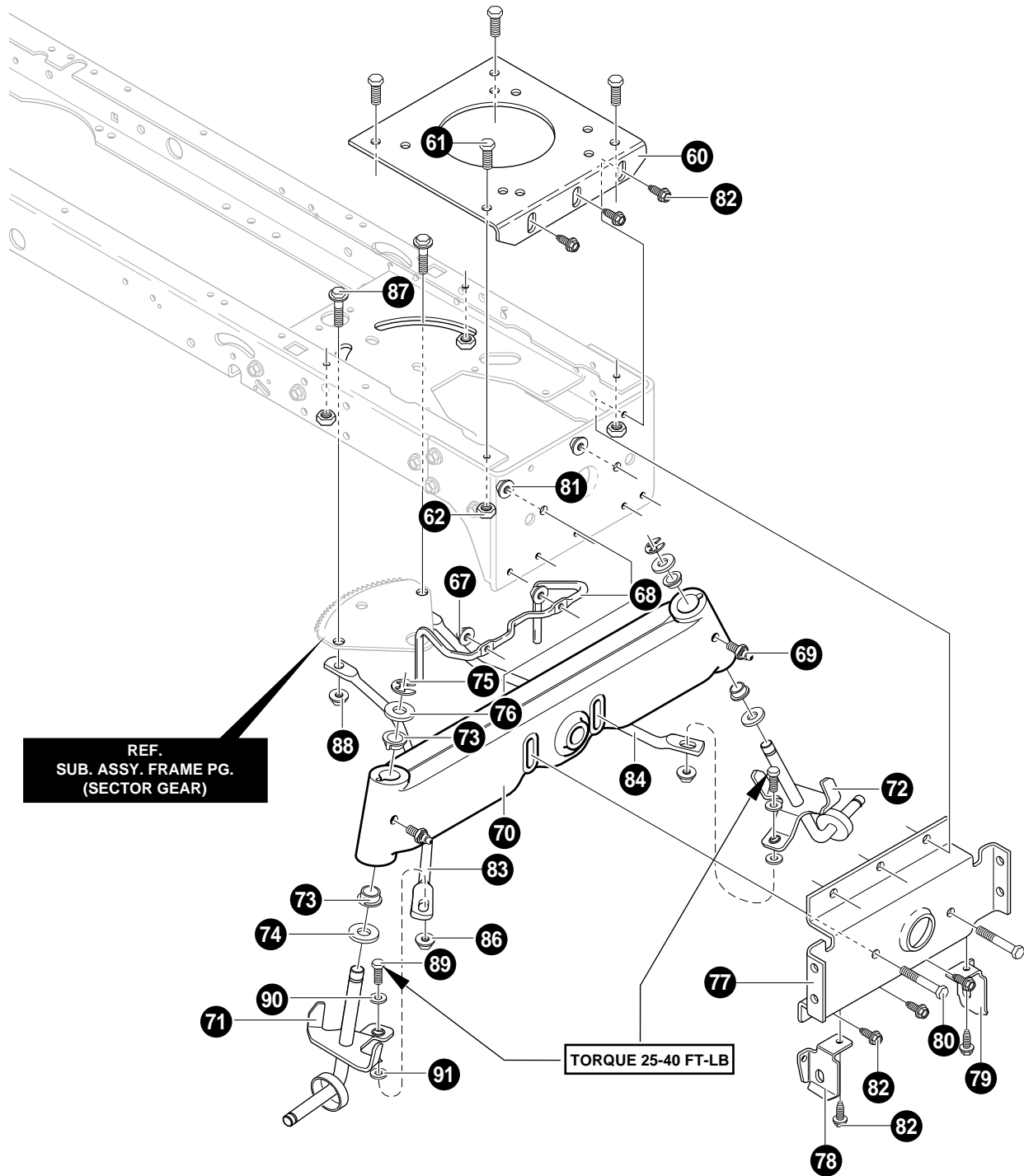
NOTE: ALWAYS USE ORIGINAL EQUIPMENT PARTS.
Use of service/replacement parts other than original
equipment parts may void your warranty.

ALL UNNUMBERED
ITEMS ARE INTERCHANGEABLE
WITH OPPOSITE SIDE

343736B

FRAME ASSEMBLY

KEY NO.	PART NO.	DESCRIPTION	QTY
1	MU94564	FRAME, RAIL RH	1
2	MU94565	FRAME, RAIL LH	1
3	MU94634	SUPPORT, SEAT RH	1
4	MU94633	SUPPORT, SEAT LH	1
5	MU710079	SCREW 5/16-18X.75 HHWATAP	4
6	MU94561	BRACE, BACKPLATE RH	1
7	MU94562	BRACE, BACKPLATE LH	1
8	MU710079	SCREW, 5/16-18X.75 HHWATAP	4
9	MU94234	BRACKET, T/A RH VST LH MST	1
10	MU95396	SHIFT BRACE LEVER	1
12	MU710079	SCREW, 5/16-18X.75 HHWATAP	4
13	MU94237	ASM. IDLER MOUNT, FRONT	1
14	MU710079	SCREW, 5/16-18X.75 HHWATAP	4
15	MU690504	PLATE, STEERING	1
16	MU710079	SCREW, 5/16-18X.75 HHWATAP	6
17	MU94019	CRANK, PTO	1
18	MU94005	BRACKET, BELL CRANK	1
19	MU710079	SCREW, 5/16-18X.75 HHWATAP	2
20	MU120395	WASHER, FLAT .469X.92X.065	1
23	MU94013	BRACKET, HANGER REAR	1
24	MU710079	SCREW, 5/16-18X.75 HHWATAP	6
26	MU94121	GEAR, SECTOR	1
27	MU94123	BEARING, SECTOR GEAR	1
28	MU710312	SCREW, 5/16-18X1.00	1
29	MU710105	NUT, 5/16-18 HEXKEPS 15X113	1
30	MU94241	ASM. CLUTCH/BRAKE PEDAL	1
31	MU710079	SCREW, 5/16-18X.75 HHWATAP	4
32	MU94285	BRACKET, SUSPENSION	1
33	MU710079	SCREW, 5/16-18X.75 HHWATAP	4
34	MU94566	BRACE, RAIL	1
35	MU710079	SCREW, 5/16-18X.75 HHWATAP	2
36	MU93349	ZINC SCREW GUIDE 5/16-18	2
37	MU710204	NUT, 5/16-18 HEXWDFLLK WHIZ	2
38	MU94015	PIVOT BRACKET	1
39	MU845	WASHER, FLAT .390X1.25X.119	1
40	MU710000	BOLT, .562X1.563 HSH 3/8-16	1
41	MU710140	NUT, 3/8-16 HWDFLLK MACK 15X84	1
94	MU690036	BRACKET, SEAT DECK LH	1
95	MU690035	BRACKET, SEAT DECK RH	1
96	MU710079	SCREW, 5/16-18X.75 HHWATAP	1
97	MU710204	NUT, 5/16-18 HEXWDFLLK WHIZ	1



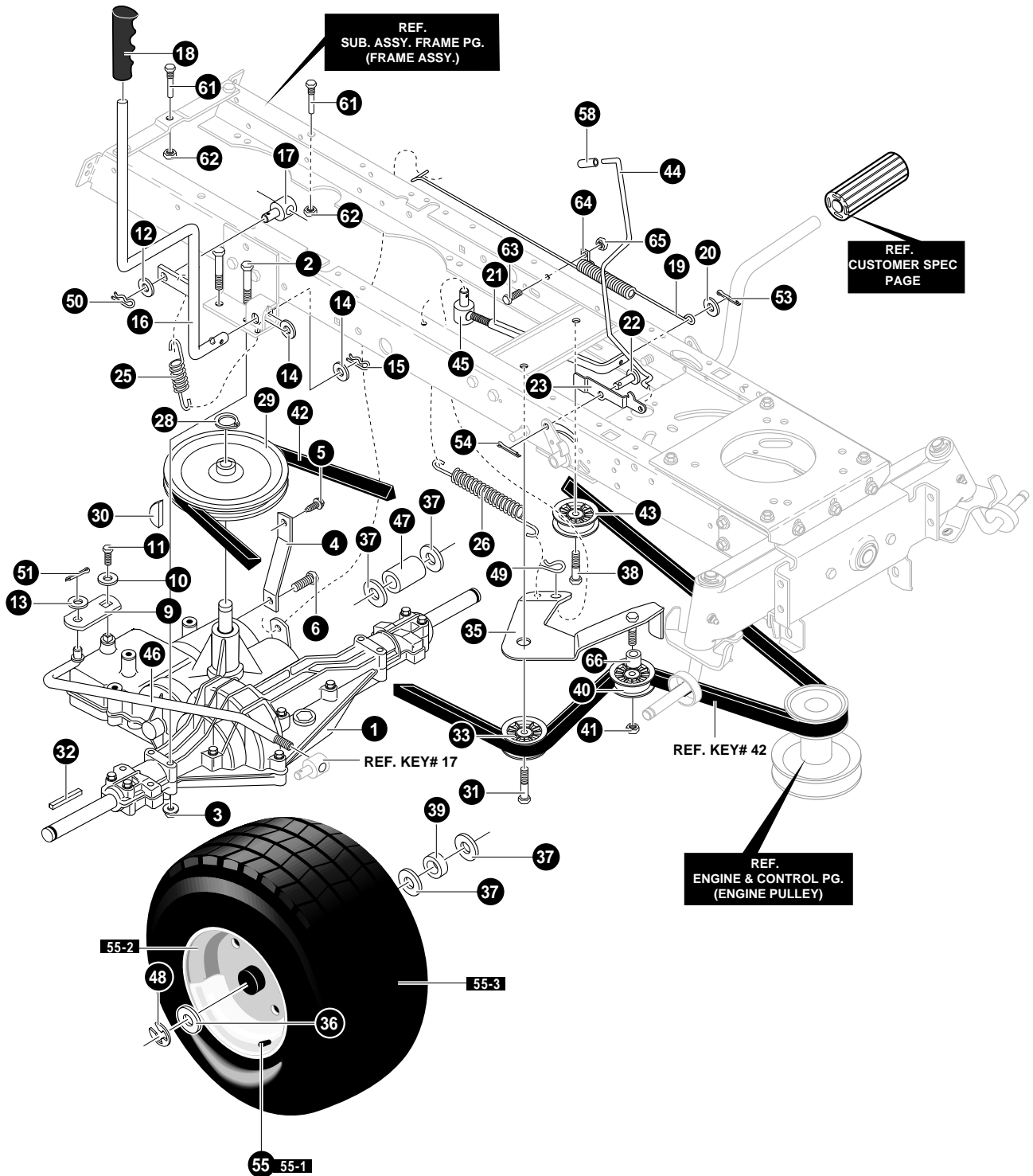
NOTE: ALWAYS USE ORIGINAL EQUIPMENT PARTS.
Use of service/replacement parts other than original
equipment parts may void your warranty.

ALL UNNUMBERED
ITEMS ARE INTERCHANGEABLE
WITH OPPOSITE SIDE

343736B

FRAME ASSEMBLY

KEY NO.	PART NO.	DESCRIPTION	QTY
60	MU94006	PLATE, ENGINE	1
61	MU710079	SCREW, 5/16-18X.75 HHWATAP	4
62	MU710205	NUT, 5/16-18 HEXWDFLLK WHIZ	4
67	MU45174	NUT, 5/16-18 HEXWDFLLK WHIZ	2
68	MU94310	GUIDE STACK PULLEY BELT	1
69	MU706	ZERK, GREASE FITTING	2
70	MU95405	AXLE, CAST MACHINED	1
71	MU95182	SPINDLE, LONG RH	1
72	MU95183	SPINDLE, LONG LH	1
73	MU92527	BEARING, SPINDLE	4
74	MU710129	WASHER	2
75	MU710103	E-RING	2
76	MU710088	WASHER, FLAT	2
77	MU94007	HANGER, AXLE	1
78	MU690199	HANGER, DECK RH	1
79	MU690198	HANGER, DECK LH	1
80	MU180113	SCREW, 5/16-18X3.00	2
81	MU710205	NUT, 5/16-18	2
82	MU710079	SCREW, 5/16-18X.75	5
83	MU95328	DRAGLINK RH	1
84	MU95329	DRAGLINK LH	1
86	MU710140	NUT, 3/8-16 HWDFFLLK MACK 15X84	2
87	MU710440	BOLT, SHOULDER 9X57	2
88	MU710140	NUT, 3/8-16 HWDFFLLK MACK 15X84	2
89	MU710082	SCREW, 3/8-16X1.5	2
90	MU710083	WASHER, FLAT .391X1.00X.083	2
91	MU710142	WASHER, FLAT	2
100	MU710205	NUT, 5/16-18 WDFLLK	4



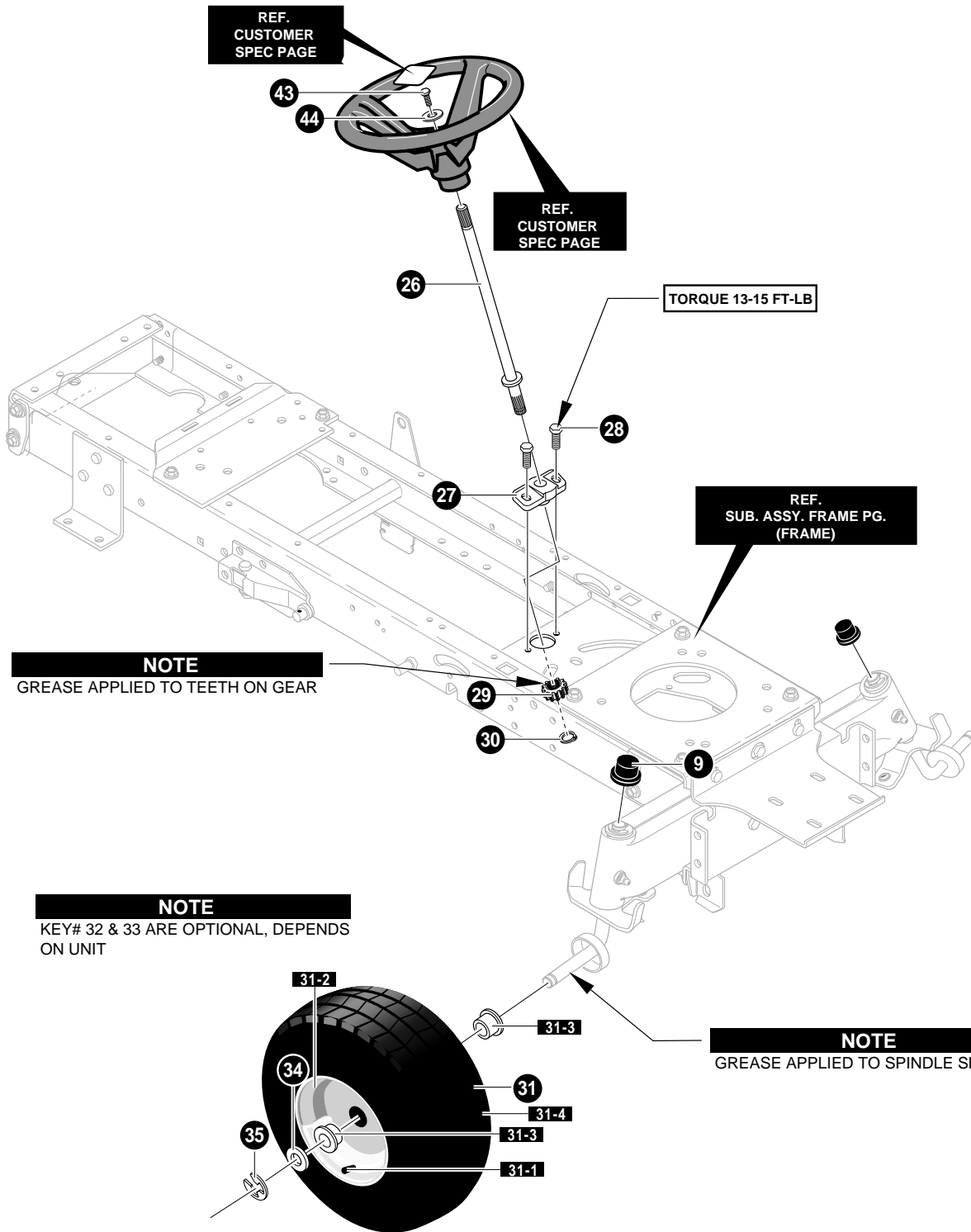
NOTE: ALWAYS USE ORIGINAL EQUIPMENT PARTS. Use of service/replacement parts other than original equipment parts may void your warranty.

ALL UNNUMBERED ITEMS ARE INTERCHANGEABLE WITH OPPOSITE SIDE

MOTION DRIVE ASSEMBLY

KEY NO.	PART NO.	DESCRIPTION	QTY
1	*	TRANSAXLE MST206-512A	1
2	MU711669	SCREW, 5/16-18X2.50	4
3	MU711634	NUT, 5/16-18 WDFLLK	4
4	MU94620-853	BRACKET,STABILIZER	1
5	MU711606	SCREW, 5/16-18X.75 HHWATAP	1
6	MU710268	SCREW, 5/16-18X.75 WAHTAP	2
9	MU94227	BRACKET, SHIFT	1
10	MU711895	WASHER, .750X.250 TRANSAXLE	1
11	MU710345	SCREW, 1/4-28X.75	1
12	MU583409	WASHER, FLAT .391X1.00X.125	1
13	MU71072	WASHER, FLAT .406X .81X.066	1
14	MU711894	WASHER, FLAT .515X .88X.064	2
15	MU711899	PIN, HAIR .53DIAX1.62LG	1
16	MU690087	SHIFT LEVER	1
17	MU711591	NUT,ADJ. 3/8-16	1
18	MU94497	GRIP, LIFT 1/2"	1
19	MU95424	SPRING, BRAKE	1
20	MU711921	WASHER, FLAT.328X1.06X.062	1
21	MU690016	ROD, CLUTCH	1
22	MU711903	PIN, CLEVIS	1
23	MU95290	LATCH, PARK BRAKE	1
25	MU782223	SPRING	1
26	MU711522	SPRING, TENSION	1
28	MU710340	RING, RETEX	1
29	MU94571	PULLEY, 9.0 OD V4L	1
30	MU50795	KEY, HI-PRO 606	1
31	MU711905	SCREW, 3/8-16X1.25	1
32	MU52928	KEY, SQUARE	2
33	MU95531	PULLEY, IDLER	1
35	MU94238-853	ASSY, IDLER ARM TRACTION	1
36	MU711758	FLATWASHER, .765X1.81X.059	2
37	MU711904	WASHER, FLAT .755ID	2
38	MU711905	SCREW, 3/8-16X1.25	1
39	MU95418	SPACER, WHEEL	1
40	MU690409	PULLEY, IDLER 2.75 DIA	1
41	MU711920	NUT, 3/8-16 HWDFLLK	1
42	MU94608	BELT, V 4L 114.12	1
43	MU95531	PULLEY, IDLER V4L3.00X.710	1
44	MU690047	PARK BRAKE CONTROL ROD	1
45	MU711898	NUT, 5/16-18X3/8 ADJUSTING	1
46	MU690027	ROD, SHIFT LINK	1
47	MU95419	SPACER, .87 X 2.25	1
48	MU710103	E-RING .574IDX.050/.75	2
49	MU711659	PIN, HAIR .072DIAX1.13LG	1
50	MU711682	PIN,HAIR.38 DIAX1.64LG	1
51	MU71081	PIN, COTTER .094 DIAX .75	1
53	MU71081	PIN, COTTER .094 DIAX .75	1
54	MU71081	PIN, COTTER .094 DIAX .75	1
55	MU692290	TIRE & RIM	2
55-1	MU338512	VALVE STEM	1
55-2	MU338524	RIM, CARL	1
55-3	MU338526	TIRE, 20X8X8	1
58	MU335980	CAP, DUMP VALVE ROD	1
61	MU20619	SCREW GUIDE	1
62	MU710026	NUT, 5/16-18 HEXWDFLLK WHIZ	2
63	MU313686	SCREW, 1/4-20X .50	1
64	MU711742	RETAINER, WIRE	1
65	MU780285	NUT, 1/4-20 WDFL WHIZ-LK	1
66	MU690369	SPACER, 1/2 TO 17MM	1

* CONTACT YOUR NEAREST TRANSAXLE DEALER FOR PARTS AND SERVICE.



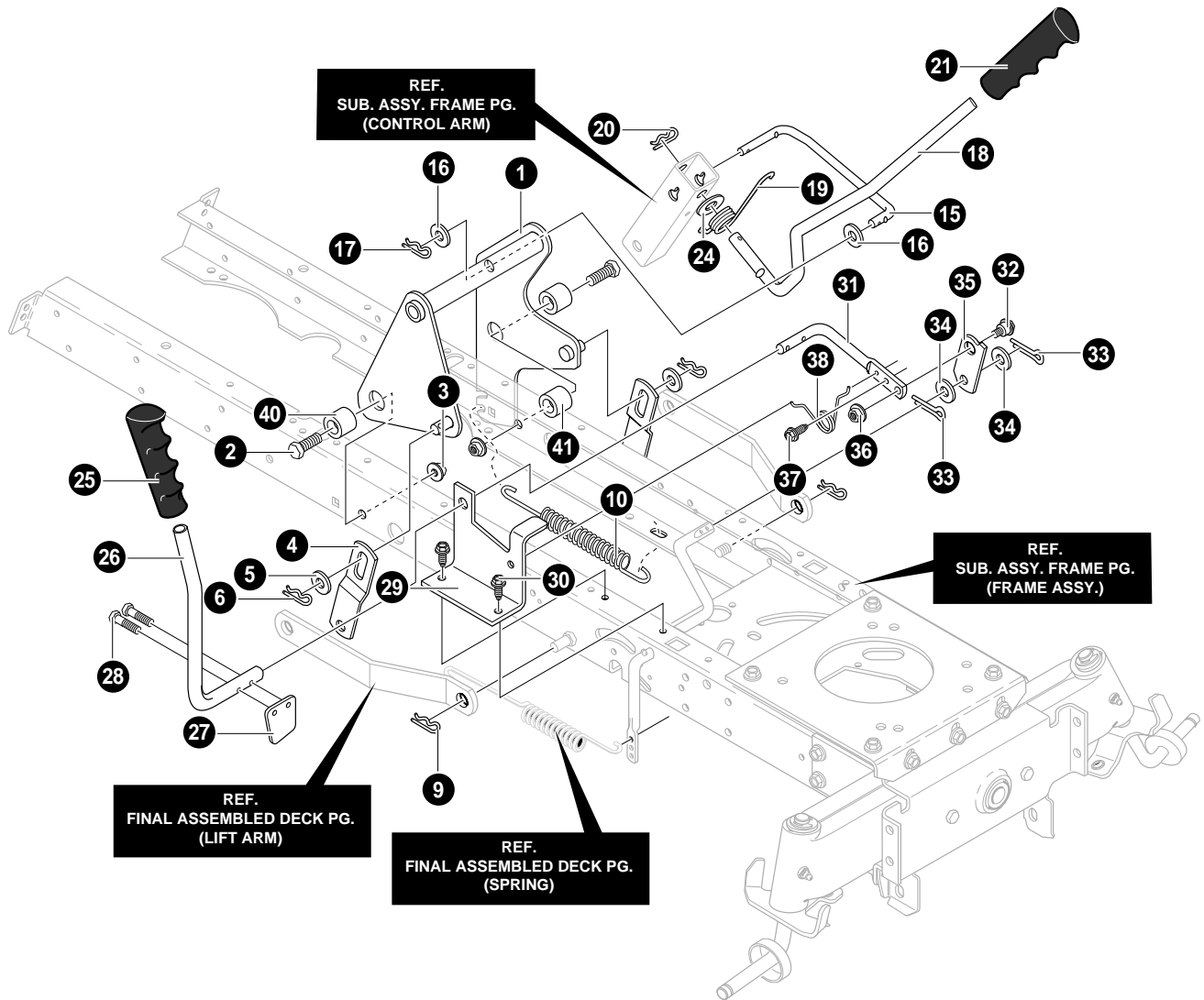
NOTE: ALWAYS USE ORIGINAL EQUIPMENT PARTS. Use of service/replacement parts other than original equipment parts may void your warranty .

ALL UNNUMBERED ITEMS ARE INTERCHANGEABLE WITH OPPOSITE SIDE

344861A

STEERING ASSEMBLY

KEY NO.	PART NO.	DESCRIPTION	QTY
9	MU94618	DUST HUB CAP	2
26	MU94520	SHAFT, STEERING	1
27	MU94124	BEARING-LOWER	1
28	MU711606	SCREW, 5/16-18X.75	2
29	MU94122	GEAR PINNION	1
30	MU710102	RING, RET E.	1
31	MU690049	TIRE&RIM, PU 15X6.0-6	2
31-1	MU338512	VALVE STEM	1
31-2	MU338517	RIM	1
31-3	MU338513	BEARING	1
31-4	MU338516	TIRE, 15X6X6	1
34	MU711758	WASHER, FLAT .765X1.81X.059	2
35	MU710103	E-RING	2
42	MU711326	INSERT, 4 SPOKE	1
43	MU711719	SCREW, 1/4-20X.75 HHC	1
44	MU711663	WASHER, FLAT	1



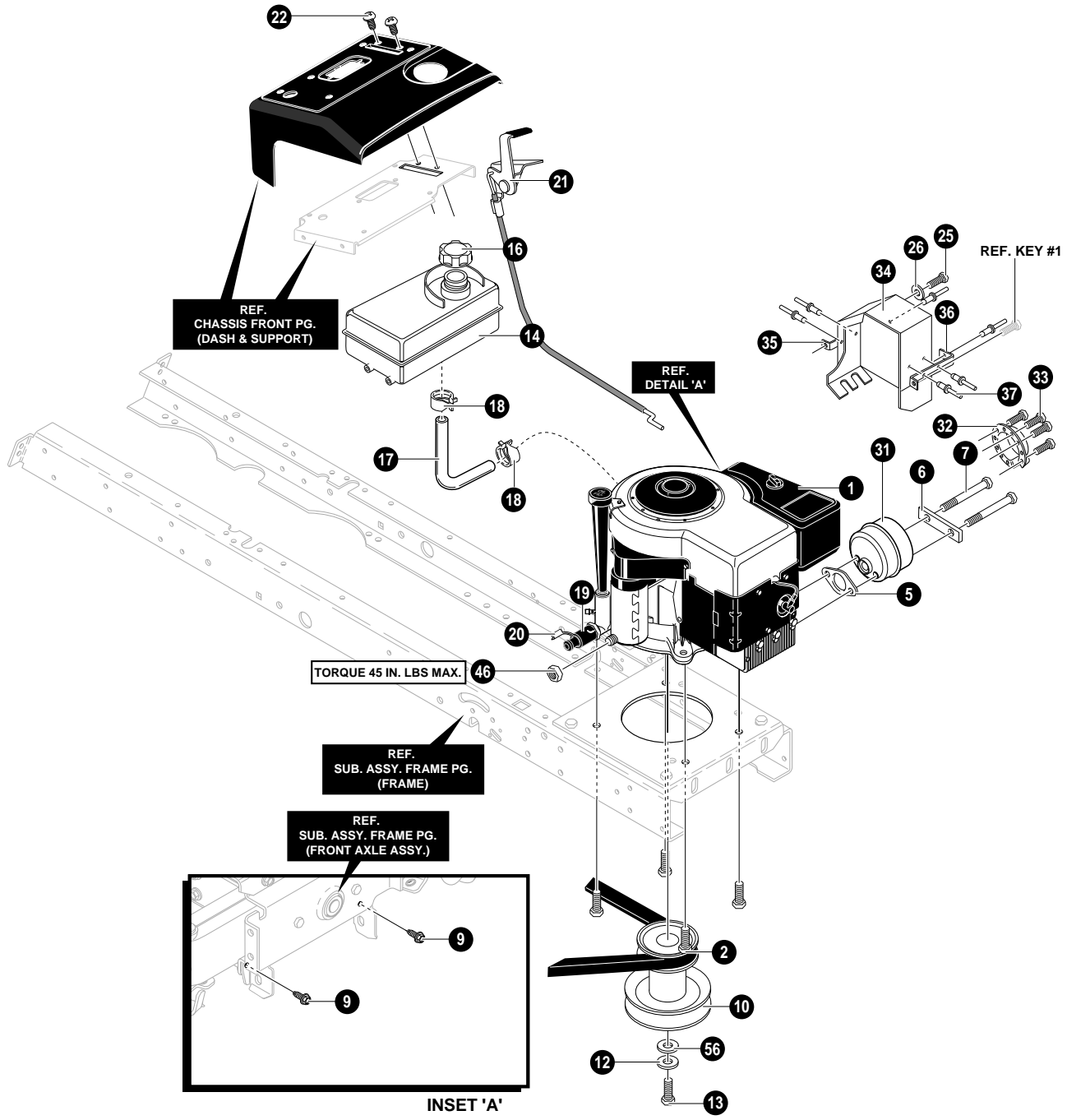
NOTE: ALWAYS USE ORIGINAL EQUIPMENT PARTS.
 Use of service/replacement parts other than original
 equipment parts may void your warranty.

ALL UNNUMBERED
 ITEMS ARE INTERCHANGEABLE
 WITH OPPOSITE SIDE

344419A

MOWER SUSPENSION ASSEMBLY

KEY NO.	PART NO.	DESCRIPTION	QTY
1	MU95233-853	ASSEMBLY, LIFT ARM	1
2	MU711917	SCREW, 1/2-13X1.50	2
3	MU711918	NUT, 1/2-13	2
4	MU94262-853	BRACKET, LIFT LINK	2
5	MU711617	WASHER, FLAT	2
6	MU711676	PIN, HAIR	2
9	MU711676	PIN, HAIR	2
10	MU710235	SPRING, EXTN	1
15	MU711981	LINK - LIFT HANDLE	1
16	MU711617	WASHER, FLAT	2
17	MU711676	PIN, HAIR	1
18	MU690532	HANDLE, LIFT	1
19	MU710111	TORSION SPRING	1
20	MU711676	PIN, HAIR	1
21	MU94497	GRIP, LIFT	1
24	MU711616	WASHER, FLAT	1
25	MU94496	HANDLE, PTO	1
26	MU712035	PTO LEVER	1
27	MU95284	ZINC PADDLE, SWITCH	1
28	MU711621	SCREW, THREAD FORM	2
29	MU94018-853	BRACKET, PTO	1
30	MU780055	SCREW, 5/16-18X.50	2
31	MU95283	ZINC LEVER, PTO	1
32	MU711613	BOLT, .50X.75 HSSH 3/8-16	1
33	MU711659	PIN, HAIR	2
34	MU711615	WASHER, FLAT	2
35	MU95282	ZINC LINK PTO	1
36	MU711622	NUT, 3/8-16	1
37	MU711606	SCREW, 5/16-18X.75	1
38	MU710141	TORSION SPRING	1
40	MU94309	SPACER	2
41	MU56150	SPACER, SLEEVE	1



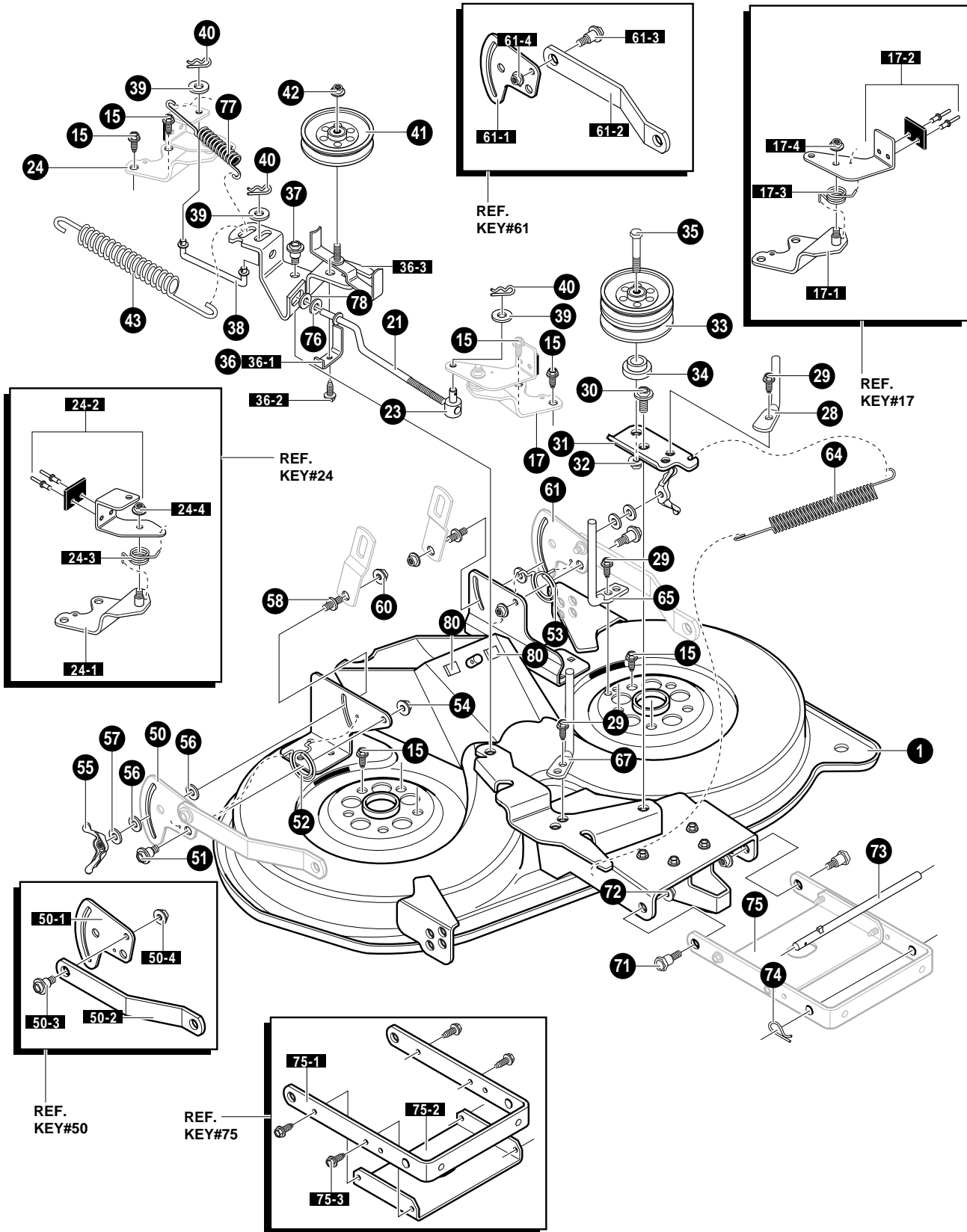
NOTE: ALWAYS USE ORIGINAL EQUIPMENT PARTS.
 Use of service/replacement parts other than original
 equipment parts may void your warranty.

ALL UNNUMBERED
 ITEMS ARE INTERCHANGEABLE
 WITH OPPOSITE SIDE

ENGINE & CONTROL ASSEMBLY

KEY NO.	PART NO.	DESCRIPTION	QTY
1	*	ENGINE	1
2	MU710199	SCREW, 3/8-16X1.25	4
5	MU91309	GASKET, MUFFLER	1
6	MU710264	SCREW, LOCK	1
7	MU710265	SCREW, 5/16-18X4.125 HHC	2
9	MU711606	SCREW, 5/16-18 X .75	2
10	MU690456	STACK PULLEY ASSY	1
12	MU120383	WASHER, REGSPTLK .459X.78X.12	1
13	MU710248	SCREW, 7/16-20X 1.5	1
14	MU92342	TANK, FUEL	1
16	MU92317	FUEL CAP	1
17	MU41007	TUBING, GAS LINE	14.50 IN.
18	MU336890	CLAMP, HOSE SCREW TYPE	2
19	MU325547	OIL DRAIN VALVE ASSEMBLY	1
20	MU327422	CAP, OIL DRAIN VALVE	1
21	MU94361	THROTTLE CONTROL	1
22	MU711637	SCREW, #8-16X.38TRCRTAP	2
25	MU711592	SCREW, 1/4-20X.50 WAHHTAP	1
26	MU710249	WASHER (18X32)	1
31	MU91271	MUFFLER	1
32	MU23740	DEFLECTOR, EXHAUST	1
33	MU712070	SCREW, #8-32X.38 HHWATAP	4
34	MU95031	HEAT SHIELD, FORMED	1
35	MU94359	L-BRACKET	1
36	MU94360	L-BRACKET	1
37	MU712066	RIVET, POP .187DIAX.450LG	6
46	MU711601	NUT, 1/4-20 REGHXJAM	1
56	MU710247	WASHER, FLAT	1

* SEE ENGINE MANUAL



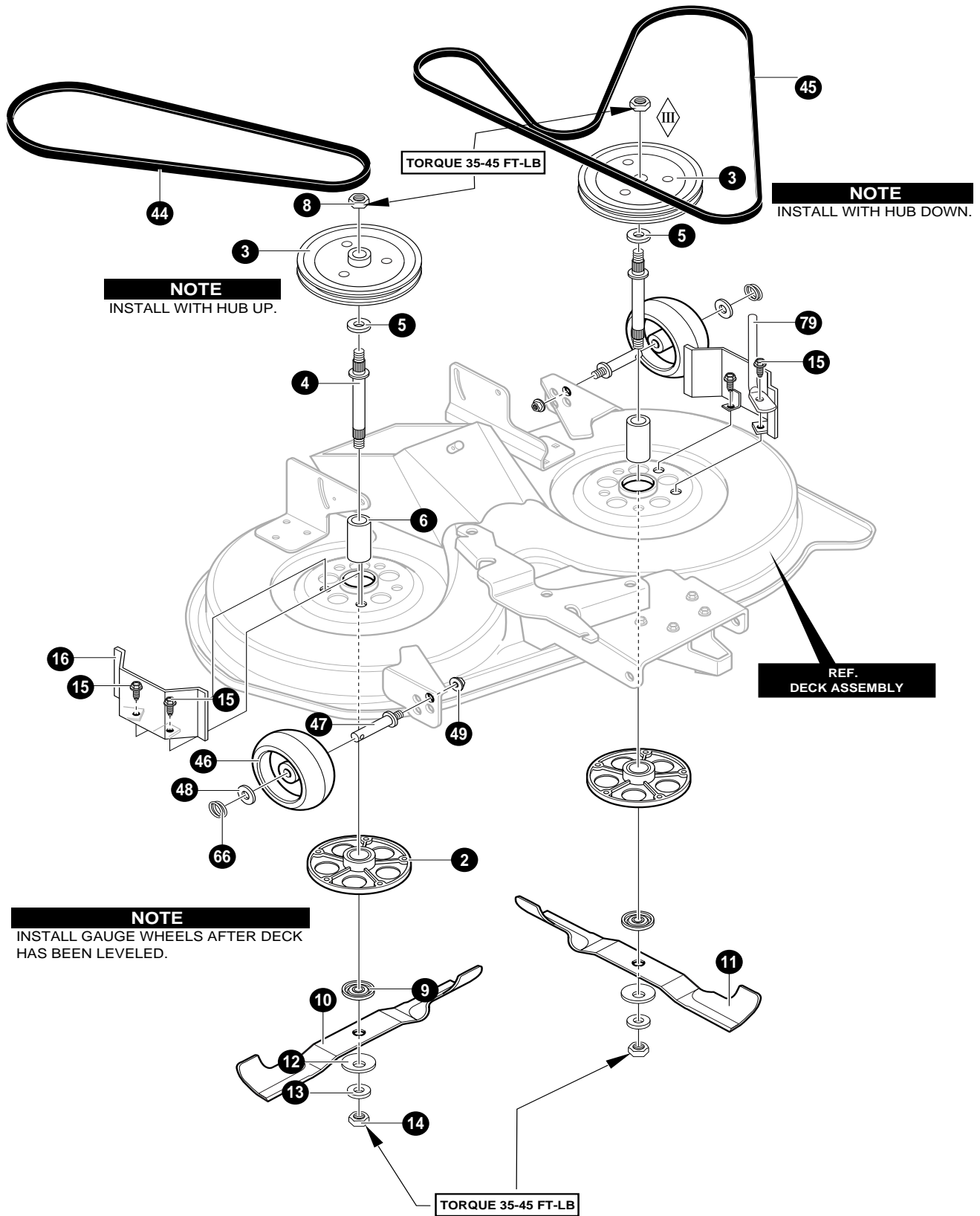
NOTE: ALWAYS USE ORIGINAL EQUIPMENT PARTS.
 Use of service/replacement parts other than original
 equipment parts may void your warranty .

ALL UNNUMBERED
 ITEMS ARE INTERCHANGEABLE
 WITH OPPOSITE SIDE

344276B

DECK ASSEMBLY

KEY NO.	PART NO.	DESCRIPTION	QTY
1	MU690109-853	HOUSING, 40" DECK	1
17	MU94665-853	BRAKE ARM ASSEMBLY LH	1
17-1	MU94293	BRAKE SUPPORT ASSEMBLY LH	1
17-2	MU94291	BRAKE ARM ASSEMBLY LH	1
17-3	MU710110	SPRING, TORSION	1
17-4	MU710205	NUT, 5/16-18	1
21	MU690021	LINK, BRAKE LH	1
23	MU711591	NUT, ADJUST	1
24	MU94664-853	BRAKE ARM ASSEMBLY RH	1
24-1	MU94294	BRAKE SUPPORT ASSEMBLY RH	1
24-2	MU94292	BRAKE ARM ASSEMBLY RH	1
24-3	MU710077	SPRING, TORSION	1
24-4	MU710205	NUT, 5/16-18	1
28	MU711912	GUIDE, BELT	1
29	MU711914	SCREW,5/16-18 X .50	3
30	MU711613	BOLT, SHOULDER	1
31	MU94261-853	ARM, DOUBLE IDLER	1
32	MU711622	NUT, 3/8-16	1
33	MU94279	PULLEY, IDLER DOUBLE VEE	1
34	MU94269	SPACER	1
35	MU711915	SCREW, 3/8-16X3.00	1
36	MU94973-853	IDLER ARM ASSY	1
36-1	MU94312	SPRING - GUIDE BELT	1
36-2	MU710264	SCREW, 1/4-20X .50	1
36-3	MU94298	IDLER ARM ASSEMBLY	1
37	MU711613	BOLT., SHOULDER	1
38	MU690023	LINK, BRAKE RH	1
39	MU712480	WASHER, FLAT	3
40	MU711682	PIN, HAIR	3
41	MU690024	PULLEY, V IDLER 4"	1
42	MU711622	NUT, 3/8-16	1
43	MU710234	SPRING, EXTENSION	1
50	MU690158-853	ASSEMBLY, PLATE, REAR SUS. BRKT. RH	1
50-1	MU94128	PLATE - SUSPENSION	1
50-2	MU94055	SUSPENSION BRACKET REAR'	1
50-3	MU710095	BOLT, SHOULDER	1
50-4	MU710140	NUT, 3/8-16	1
51	MU711611	BOLT, SHOULDER	2
52	MU710112	SPRING, TORSION RH	1
53	MU710113	SPRING, TORSION LH	1
54	MU711622	NUT, 3/8-16	2
55	MU711600	WINGNUT, 5/16-18	2
56	MU94137	PAD, FRICTION	4
57	MU711628	WASHER	2
58	MU711595	PIN, HANGER	2
60	MU711622	NUT, 3/8-16	2
61	MU690159-853	ASSEMBLY, PLATE, REAR SUS. BRKT. LH	1
61-1	MU94128	PLATE - SUSPENSION	1
61-2	MU94055	SUSPENSION BRACKET REAR	1
61-3	MU710095	BOLT, SHOULDER 3/8-16	1
61-4	MU710140	NUT, 3/8-16	1
64	MU710233	SPRING, EXTENSION	1
65	MU711913	GUIDE, BELT	1
67	MU690030	GUIDE, BELT	1
71	MU711611	BOLT, SHOULDER	2
72	MU711622	NUT, 3/8-16	2
73	MU95295	ROD, HANGER	1
74	MU711676	PIN, HAIR	1
75	MU690058-853	ASSEMBLY, BRACKET & STIFFENER	1
75-1	MU94058	BRACKET, FRONT SUSPENSION	1
75-2	MU95057	STIFFENER	1
75-3	MU710079	SCREW, 5/16-18X.75	4
76	MU583409	WASHER, FLAT. 391X1.00X.125	1
77	MU710658	SPRING, EXTENSION	1
78	MU712480	WASHER, FLAT	1
80	MU318197	PAD, ADHESIVE	2



NOTE: ALWAYS USE ORIGINAL EQUIPMENT PARTS. Use of service/replacement parts other than original equipment parts may void your warranty .

ALL UNNUMBERED ITEMS ARE INTERCHANGEABLE WITH OPPOSITE SIDE

344276A

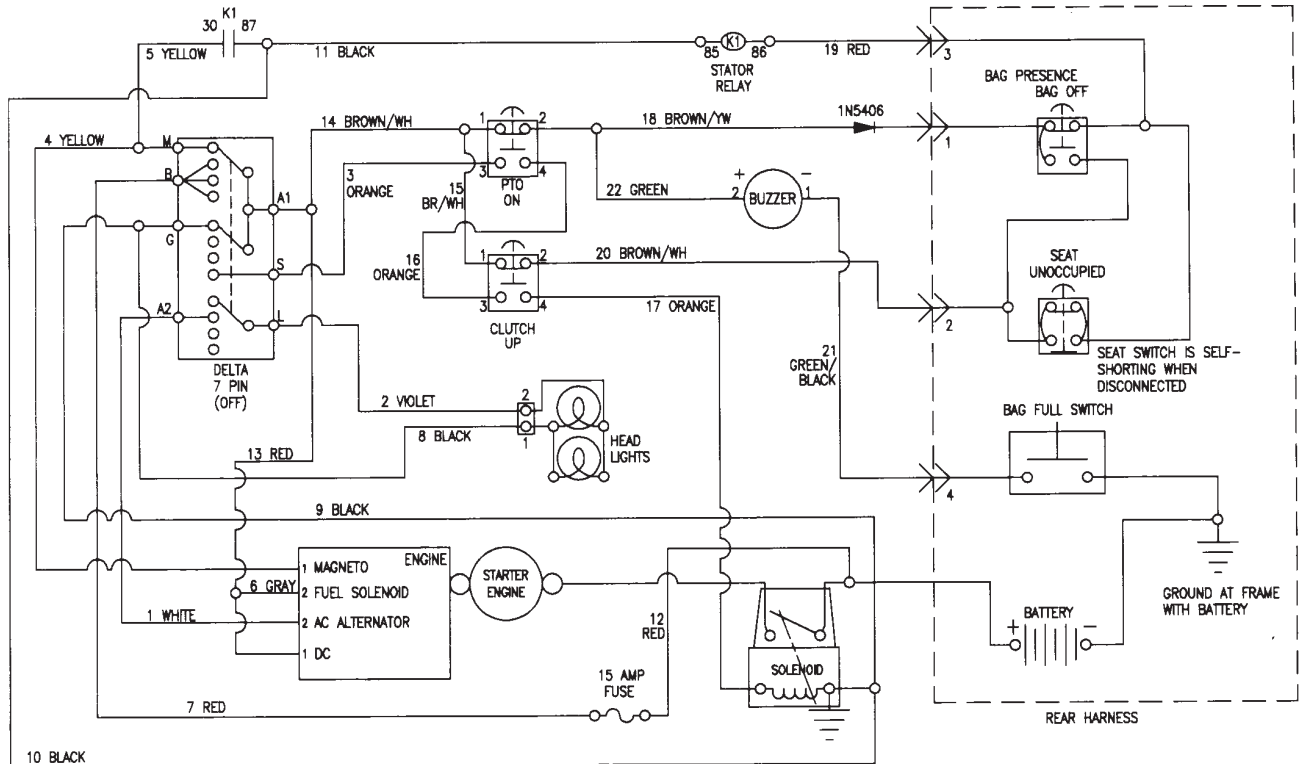
DECK ASSEMBLY

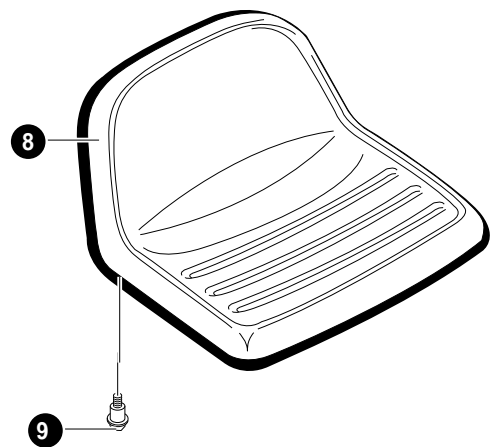
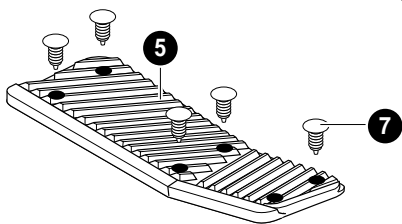
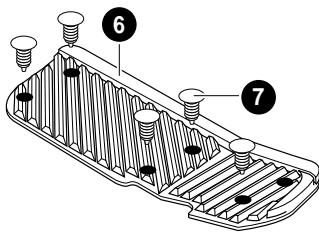
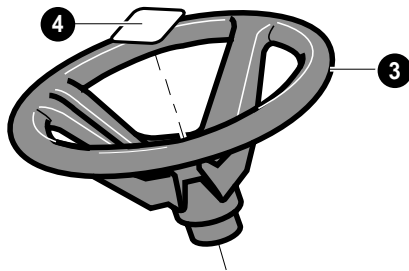
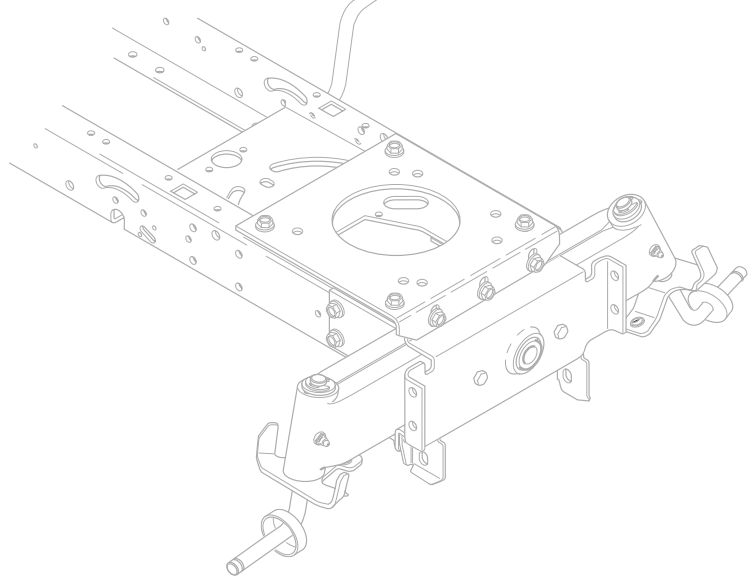
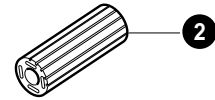
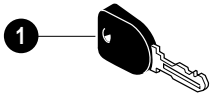
KEY NO.	PART NO.	DESCRIPTION	QTY
2	MU94305	ASSEMBLY, JACKSHAFT HOUSING	2
3	MU690020	PULLEY, DECK	2
4	MU91922	JACKSHAFT	2
5	MU710117	WASHER,FLAT	1
6	MU91903	SPACER, .625X.875X1.91	2
8	MU711910	NUT, 9/16-18	2
9	MU94207	ADAPTER, DECK/BLADE 40"	2
10	MU690499	BLADE, LH	1
11	MU690500	BLADE, RH	1
12	MU710118	WASHER,BELLVILLE.	2
13	MU710117	WASHER, FLAT	2
14	MU711910	NUT, 9/16-18	2
15	MU711911	SCREW,3/8-16X1.00	10
16	MU94288-853	COVER PULLEY	2
44	MU710231	BELT, V 46.5LG	1
45	MU690071	BELT, DECK	1
46	MU92683	GAUGE WHEEL	2
47	MU711746	BOLT, SHOULDER	2
48	MU711615	WASHER, FLAT.	2
49	MU711622	NUT,3/8-16	2
66	MU711764	PIN, CIRCLE	2
79	MU95280	ROD,BELT GUIDE	1

ELECTRICAL ASSEMBLY

KEY NO.	PART NO.	DESCRIPTION	QTY
1	MU95380	WIRE HARNESS	1
2	MU711579	WIRE, LEAD SOLENOID TO STARTER	1
3	MU95381	REAR HARNESS	1
4	MU340513	WIRE HARNESS FOR HEADLIGHTS	1
5	MU92372	SOCKET, LAMP	2
6	MU57444	TIE, CABLE BLACK NYLON 5.62L	5
7	MU55939	WIRE CLIP, ADHESIVE	1
8	MU94878	SWITCH, IGNITION	1
10	MU690106	ASSY, DOUBLE SWITCH	1
10-1	MU320082	SWITCH, DOUBLE	1
10-2	MU690074	BOOT SWITCH	1
10-3	MU690075	CAP, SWITCH	1
12	MU94136	SWITCH LIMIT	2
13	MU94613	SOLENOID	1
14	MU711619	SCREW, 1/4X.50	2
15	MU711632	NUT, 1/4-20	2
16	MU95420	WIRE, GROUND	1
17	MU711619	SCREW, 1/4X.50	1
18	MU94159	SWITCH, SEAT	1
19	MU92739	BATTERY 5 PLATE	1
20	MU711680	BOLT, 1/4-20X.63	2
21	MU711636	NUT, WING 1/4-20	2
22	MU90084	BULB, HEADLIGHT	2
23	MU327352	NUT, 5/8-8 ACME DELTA FOR BOOT	1
24	MU300194	BOOT, IGN SWITCH	1
25	MU313683	WASHER, REGINTLK .640X1.1X.05	1
27	MU95330	TAPE SWITCH	1
28	MU95391	BUZZER FOR BAG FULL	1
37	MU335417	BOOT, BATTERY	1
38	MU711666	WASHER, FLAT .250X56X.0478	1
39	MU94348	HARNESS, ADAPTER	1
	MU302031	FUSE 15 AMP	1

WIRING SCHEMATIC





KEY NO.	PART NO.	DESCRIPTION	QTY
1	MU327350	IGNITION KEY	2
2	MU21544	COVER PEDAL, BRK/CL	1
3	MU95185	STEERING WHEEL	1
4	MU711326	INSERT, 4-SPOKE	1
5	MU95409	PAD, FOOT RH	1
6	MU95408	FOOT PAD LH	1
7	MU309235	RATCHET FASTENER	10
8	MU95415	SEAT	1
9	MU711654	BOLT, .375X.255 HSH 5/16-18	2

344866A