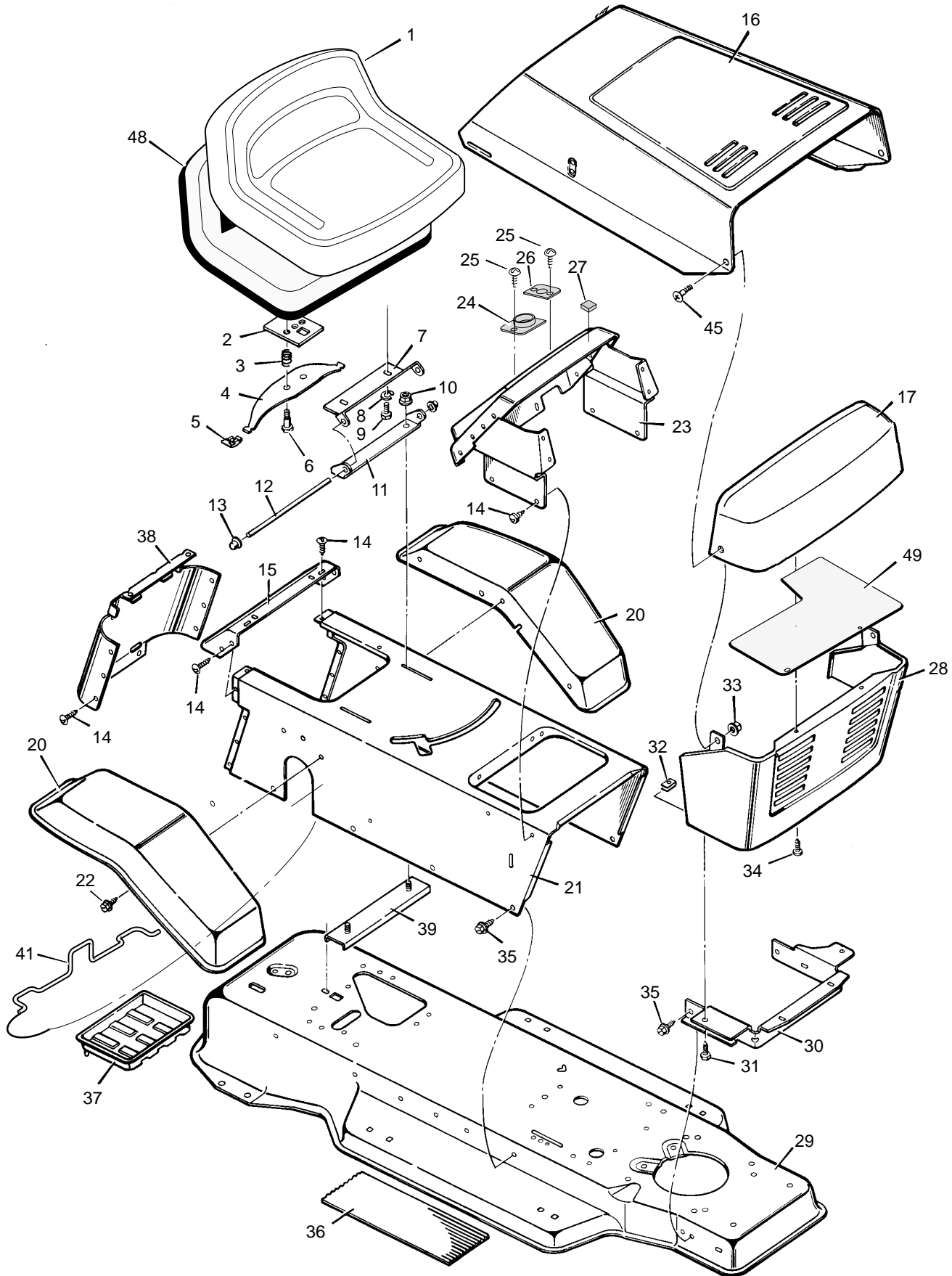


# MODEL 38711x29A

# REPAIR PARTS CHASSIS & HOOD



# MODEL 38711x29A

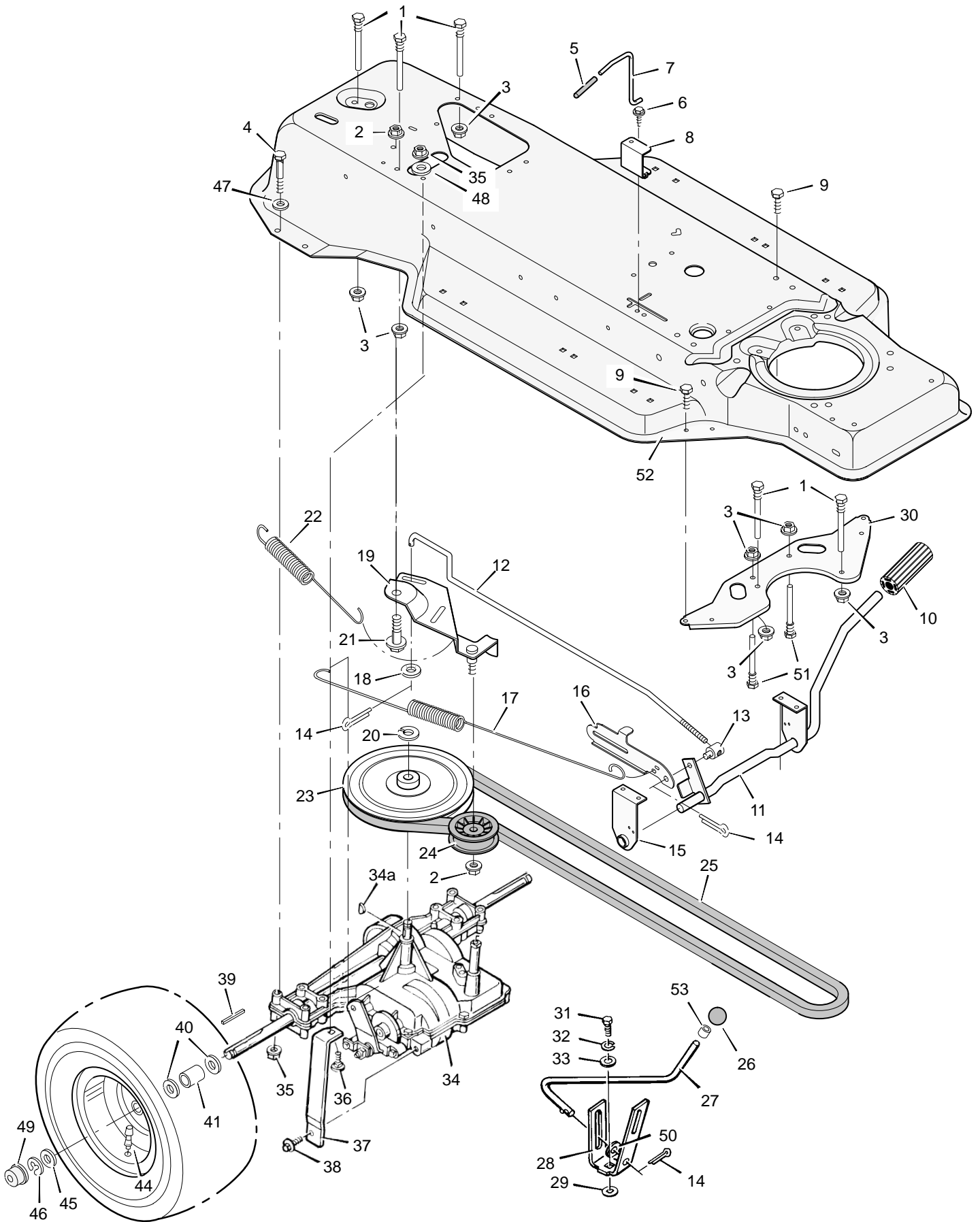
# REPAIR PARTS CHASSIS & HOOD

| Key No. | Description            | Part No.  | Key No. | Description                  | Part No.  |
|---------|------------------------|-----------|---------|------------------------------|-----------|
| 1       | Seat                   | 92387     | 27      | Bumper                       | 92444     |
| 2       | Plate Assembly, Switch | 91963Z    | 28      | Grill, Lower                 | 91722E245 |
| 3       | Spring, Compression    | 164x26    | 29      | Frame Assembly               | 92815E245 |
| 4       | Spring, Seat           | 91964     | 30      | Support, Grill               | 91723E700 |
| 5       | Glide, Spring          | 91822     | 31      | Screw                        | 26x252    |
| 6       | Bolt, Shoulder         | 9x38      | 32      | U-Nut                        | 28x57     |
| 7       | Support, Seat          | 92334E700 | 33      | Locknut, Flange              | 15x84     |
| 8       | Lockwasher             | 18x16     | 34      | Fastener, Plastic            | 193x1     |
| 9       | Bolt, Hex              | 1x45      | 35      | Screw                        | 26x249    |
| 10      | Locknut, Flange        | 15x88     | 36      | Mat                          | 94107     |
| 11      | Bracket, Pivot         | 91729E700 | 37      | Tray, Battery                | 91895     |
| 12      | Rod, Pivot             | 91730 Z   | 38      | Cap, Console *               | 92443E700 |
| 13      | Cap, Push On           | 28x23     | 39      | Channel Assembly             | 91857E700 |
| 14      | Screw, Tap             | 26x270    | 41      | Clamp, Battery               | 92725E700 |
| 15      | Fender, Apron *        | 91724E245 | 45      | Bolt, Shoulder               | 9x58      |
| 16      | Hood                   | 91852E245 | 48      | Pan, Seat (with foam)        | 92357     |
| 17      | Grille, Upper          | 94112     | 49      | Shield, Heat                 | 94334     |
| 20      | Fender                 | 91715E245 | —       | Instruction Book             | F-98779   |
| 21      | Console Assembly       | 92727E245 | —       | Instruction Book             | F-98780   |
| 22      | Screw                  | 26x263    | —       | Repair Parts Book            | F-98781   |
| 23      | Dash Panel             | 93174E245 | —       | Decal, Hood                  | 44x7871   |
| 24      | Bearing, Steering      | 93135     | —       | Decal, Top Console – Warning | 44x5936   |
| 25      | Screw                  | 26x238    | —       | Decal, Shift Pattern         | 44x1459   |
| 26      | Bearing                | 93155     |         |                              |           |

\* Also included with Key No. 21.

# MODEL 38711x29A

# REPAIR PARTS MOTION DRIVE



# MODEL 38711x29A

# REPAIR PARTS MOTION DRIVE

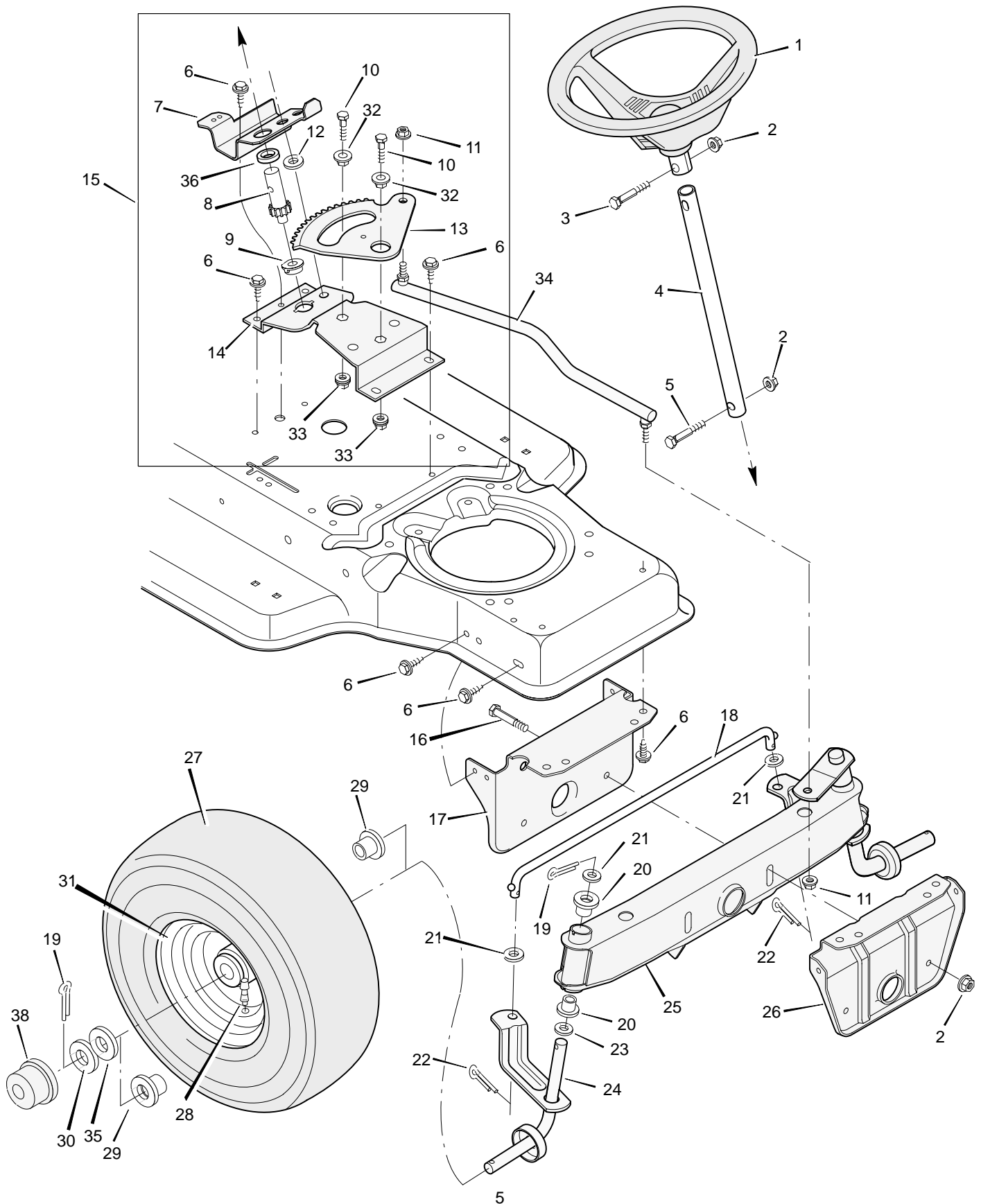
| Key No. | Description             | Part No.  | Key No. | Description             | Part No.  |
|---------|-------------------------|-----------|---------|-------------------------|-----------|
| 1       | Guide, Belt             | 91754Z    | 29      | Washer                  | 17x148    |
| 2       | Locknut, Flange         | 15x84     | 30      | Plate, Belt Guide       | 92694E700 |
| 3       | Nut, Flange             | 15x79Z    | 31      | Bolt, Hex               | 1x145     |
| 4       | Bolt, Hex               | 1x124     | 32      | Lockwasher              | 18x32     |
| 5       | Grip                    | 91079     | 33      | Washer                  | 17x180    |
| 6       | Screw                   | 26x214    | 34      | Transaxle – Peerless ** | —         |
| 7       | Rod, Control            | 91727E700 | 34a     | Woodruff Key No. 9      | 20697     |
| 8       | Guide, Bracket          | 91825E700 | 35      | Nut, Flange             | 15x88     |
| 9       | Screw                   | 26x249    | 36      | Bolt, Carriage          | 2x64      |
| 10      | Clutch and Brake Pedal  | 21544     | 37      | Support, Transaxle      | 91804E700 |
| 11      | Lever Assembly          | 91862E700 | 38      | Screw                   | 26x216    |
| 12      | Rod, Clutch             | 91808Z    | 39      | Key, Square             | 21553     |
| 13      | Nut, Adjustable         | 21920     | 40      | Washer                  | 17x160    |
| 14      | Pin, Cotter             | 30x20     | 41      | Spacer, Transaxle       | 87x100Z   |
| 15      | Bracket, Support        | 91713E700 | 42      | Tire*                   | 91923     |
| 16      | Latch, Park Brake       | 91712Z    | —       | Tube                    | 407049    |
| 17      | Spring, Brake Extension | 165x82    | 43      | Wheel & Tire Assembly   | 92288–601 |
| 18      | Washer                  | 17x47Z    | 44      | Stem, Valve             | 24373     |
| 19      | Bracket Assembly, Idler | 92737Z    | 45      | Washer                  | 17x195    |
| 20      | Ring, Retainer          | 11x7      | 46      | E–Ring                  | 11x3      |
| 21      | Bolt, Shoulder          | 9x39      | 47      | Washer                  | 17x146Z   |
| 22      | Spring, Drive Extension | 165x76    | 48      | Washer                  | 17x45     |
| 23      | Pulley, Motion Drive    | 95094     | 49      | Hub Cap                 | 94618     |
| 24      | Pulley, Backside Idler  | 91179     | 50      | Washer                  | 17x102    |
| 25      | Belt, Motion Drive      | 37x61     | 51      | Guide, Belt             | 20619     |
| 26      | Knob, Shift Lever       | 91995     | 52      | Frame Assembly          | 92815E245 |
| 27      | Lever, Shift            | 91805Z    | 53      | Ring, Tolerance         | 92008     |
| 28      | Yoke, Shift             | 91806Z    |         |                         |           |

\* When you order a tire, make sure to give the brand name of the tire so that the tread pattern on the tire will match.

\*\* For information on Replacement Parts see the Central Parts Distributor in your area.

# MODEL 38711x29A

# REPAIR PARTS STEERING



# MODEL 38711x29A

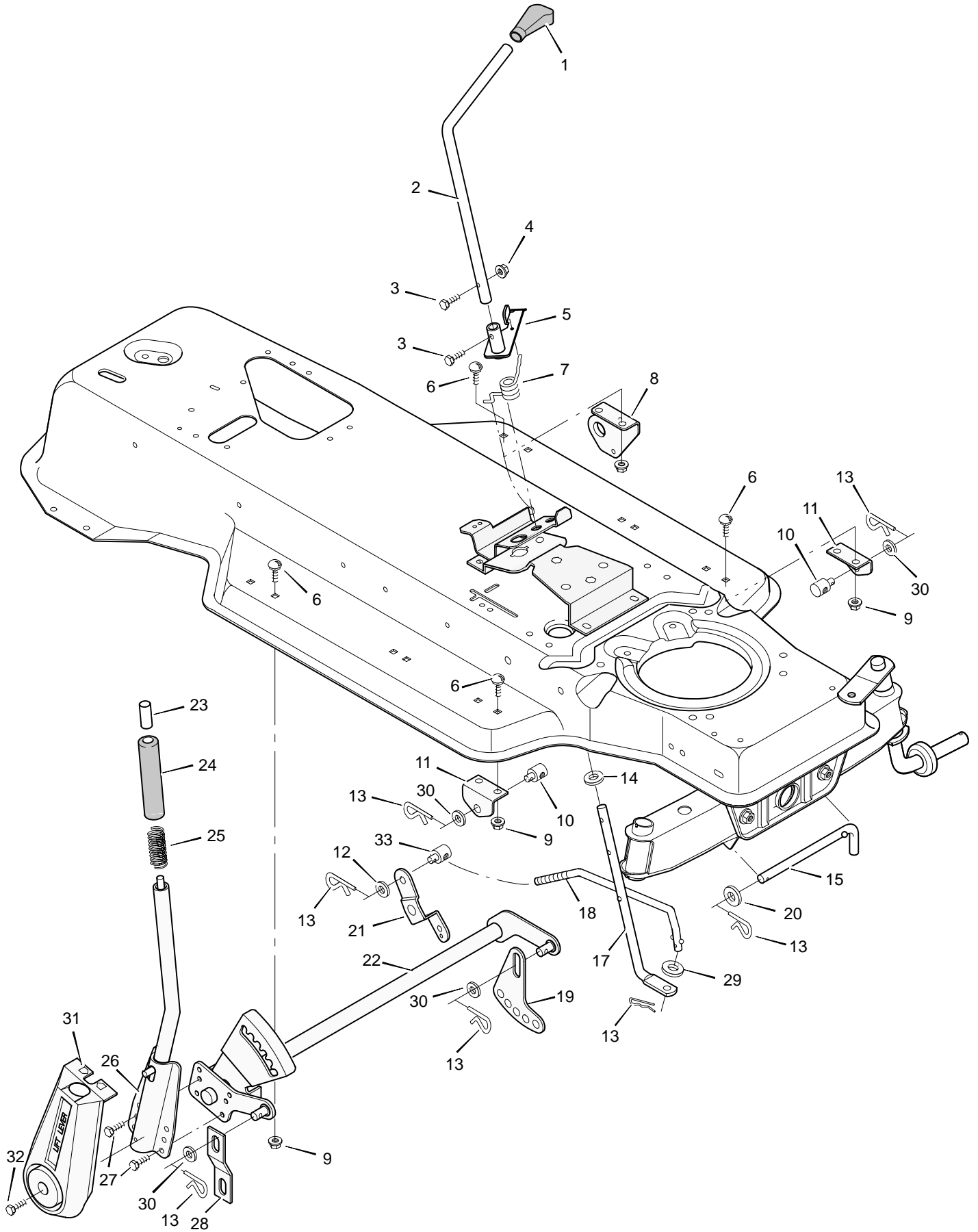
# REPAIR PARTS STEERING

| Key No. | Description                   | Part No.  |
|---------|-------------------------------|-----------|
| 1       | Wheel, Steering               | 92078     |
| 2       | Nut, Hex                      | 15x118    |
| 3       | Bolt, Hex                     | 1x66      |
| 4       | Post, Steering                | 91714 Z   |
| 5       | Bolt, Hex                     | 1x74      |
| 6       | Screw                         | 26x249    |
| 7       | Bracket, Sector               | 91716E700 |
| 8       | Gear, Pinion                  | 92715     |
| 9       | Bearing                       | 92716     |
| 10      | Bolt, Hex                     | 1x84      |
| 11      | Locknut, Flange               | 15x87     |
| 12      | Spacer                        | 92564     |
| 13      | Gear, Sector                  | 92316     |
| 14      | Bracket, Sector               | 91708E700 |
| 15      | Kit, Steering Gear            | 402075    |
| 16      | Bolt, Hex                     | 1x146     |
| 17      | Support, Rear Axle            | 92529E700 |
| 18      | Rod, Tie                      | 90038E700 |
| 19      | Pin, Cotter                   | 30x49     |
| 20      | Bearing                       | 92527     |
| 21      | Washer                        | 17x57     |
| 22      | Pin, Cotter                   | 30x20     |
| 23      | Washer                        | 17x113    |
| 24      | Spindle Assembly, Right       | 91828E700 |
| 25      | Spindle Assembly, Axle & Left | 92519E700 |
| 26      | Support, Front Axle           | 92528E700 |
| 27      | Tire*                         | 91912     |
| —       | Tube                          | 407047    |
| 28      | Stem, Valve                   | 24373     |
| 29      | Bearing, Wheel                | 91334     |
| 30      | Washer                        | 17x195    |
| 31      | Wheel & Tire Assembly         | 94578-601 |
| 32      | Bearing                       | 92097     |
| 33      | Locknut, Flange               | 15x113    |
| 34      | Link, Drag                    | 91749E700 |
| 35      | Washer                        | 17x192    |
| 36      | Spacer, Pinion Gear           | 92280     |
| 38      | Hub Cap (Optional)            | 94618     |

\* When you order a tire, make sure to give the brand name of the tire so that the tread pattern on the tire will match.

# MODEL 38711x29A

# REPAIR PARTS MOWER HOUSING SUSPENSION

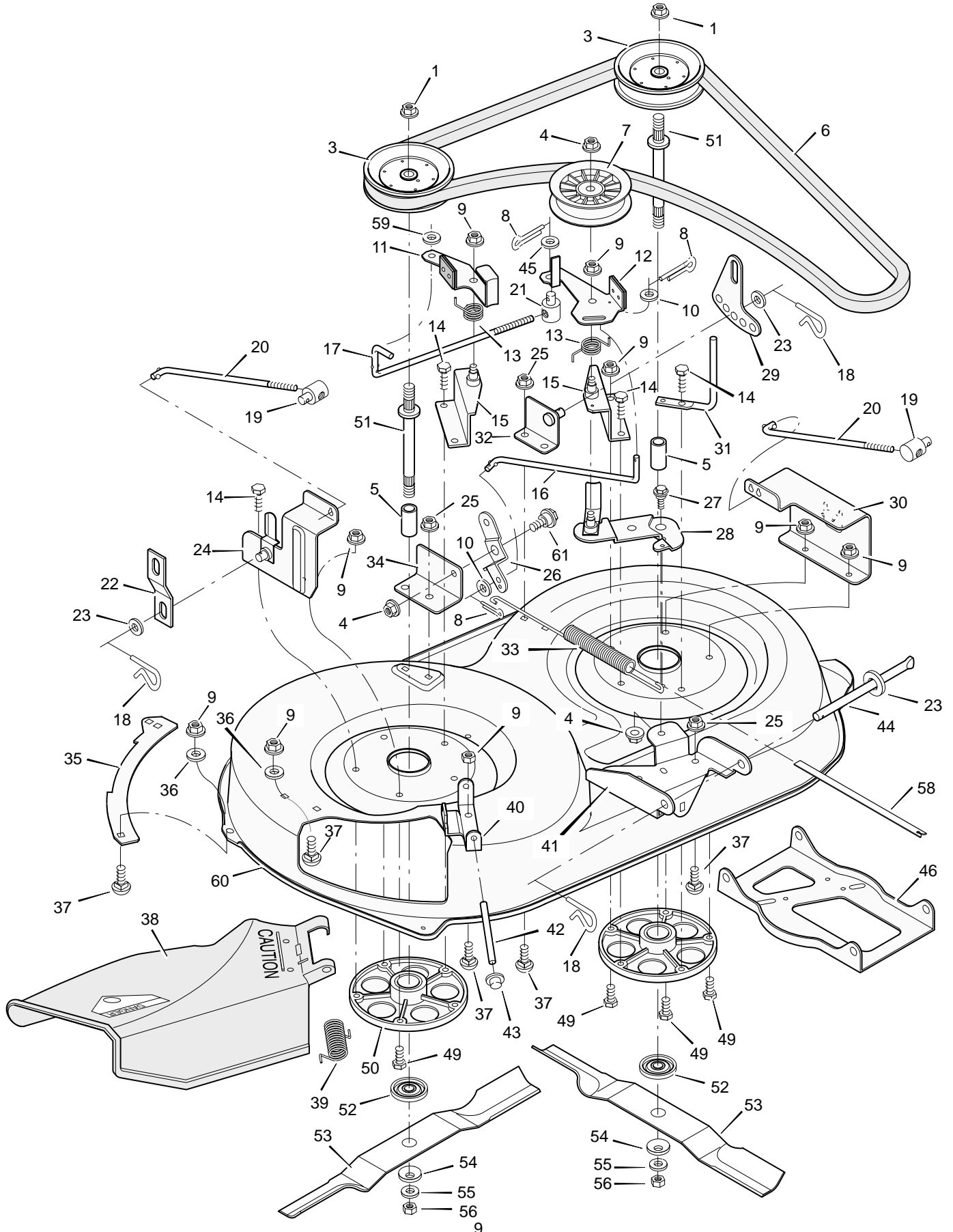


| <b>Key No.</b> | <b>Description</b>           | <b>Part No.</b> |
|----------------|------------------------------|-----------------|
| 1              | Grip                         | 92698           |
| 2              | Control, Blade Rotation      | 91781Z          |
| 3              | Bolt, Hex                    | 25x3            |
| 4              | Locknut, Hex                 | 15x67           |
| 5              | Lever Assembly, Switch       | 91917E700       |
| 6              | Bolt, Carriage               | 2x53            |
| 7              | Spring, Torsion              | 166x32          |
| 8              | Bracket, Rear Hanger         | 92066E700       |
| 9              | Nut, Flange                  | 15x79           |
| 10             | Nut, Adjusting               | 92131           |
| 11             | Bracket, Adjuster Rod        | 92133E700       |
| 12             | Washer                       | 17x124          |
| 13             | Pin, Hair                    | 31x4            |
| 14             | Washer                       | 17x122          |
| 15             | Pin, Pull                    | 90827Z          |
| 17             | Lever, Lower Blade Control   | 91787E700       |
| 18             | Rod, Blade Control           | 91795Z          |
| 19             | Plate, Adjuster              | 91741E700       |
| 20             | Washer                       | 17x103          |
| 21             | Bracket, Pivot               | 92033E700       |
| 22             | Lifter Assembly              | 92065E700       |
| 23             | Button, Push                 | 92572           |
| 24             | Grip                         | 92783           |
| 25             | Spring, Compression          | 164x21          |
| 26             | Handle Assembly              | 91823E700       |
| 27             | Screw                        | 26x49           |
| 28             | Link, Suspension             | 92064E700       |
| 29             | Washer                       | 17x47Z          |
| 30             | Washer                       | 17x91Z          |
| 31             | Cover, Lift Lever (Optional) | 92157           |
| 32             | Screw                        | 26x263          |
| 33             | Nut, Adjusting               | 21920           |



# MODEL 38711x29A

# REPAIR PARTS MOWER HOUSING



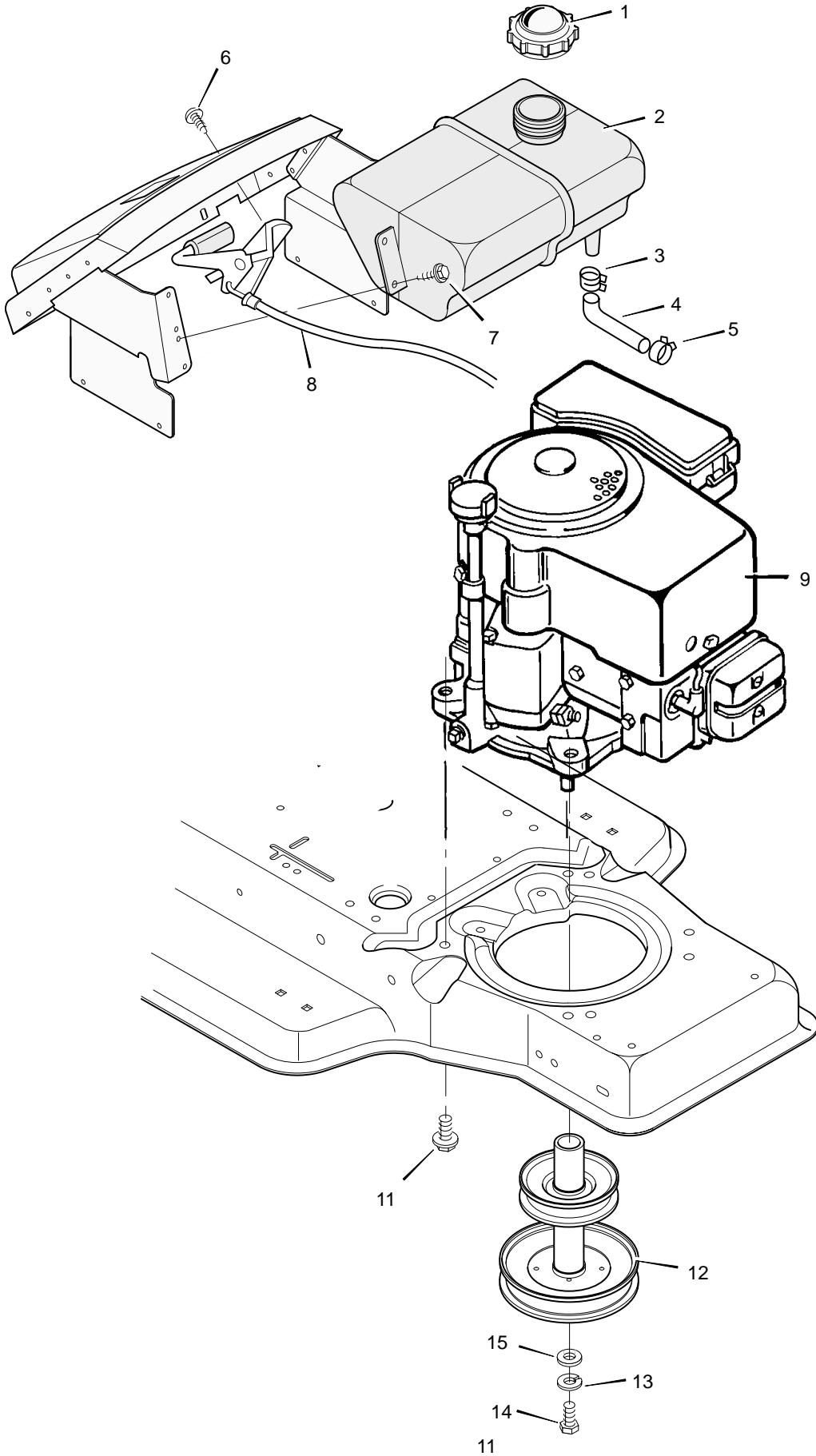
# MODEL 38711x29A

# REPAIR PARTS MOWER HOUSING

| <b>Key No.</b> | <b>Description</b>             | <b>Part No.</b> | <b>Key No.</b> | <b>Description</b>              | <b>Part No.</b> |
|----------------|--------------------------------|-----------------|----------------|---------------------------------|-----------------|
| 1              | Nut, Hex                       | 15x121          | 31             | Guide, Belt                     | 91797E700       |
| 3              | Pulley, Jackshaft              | 92852           | 32             | Bracket Assembly, Left Lifter   | 91813E700       |
| 4              | Locknut, Flange                | 15x84           | 33             | Spring, Extension               | 165x72          |
| 5              | Spacer                         | 92850           | 34             | Bracket, Pivot                  | 91743E700       |
| 6              | Belt, Blade Drive              | 37x63           | 35             | Plate                           | 91770E700       |
| 7              | Pulley, Idler                  | 91801           | 36             | Washer                          | 17x57           |
| 8              | Pin, Cotter                    | 30x20           | 37             | Bolt, Carriage                  | 2x53            |
| 9              | Locknut, Flange                | 15x88           | 38             | Deflector Assembly, Chute       | 94707           |
| 10             | Washer                         | 17x46Z          | 39             | Spring, Torsion                 | 166x4           |
| 11             | Brake Assembly, Right          | 92186E700       | 40             | Bracket, Hinge                  | 94956E700       |
| 12             | Brake Assembly, Left           | 92187E700       | 41             | Bracket, Front Hanger           | 91793E700       |
| 13             | Spring, Torsion                | 166x27          | 42             | Rod, Deflector                  | 94957Z          |
| 14             | Bolt, Hex                      | 25x7            | 43             | Cap, Push On                    | 28x23           |
| 15             | Bracket Assembly, Brake        | 92072E700       | 44             | Rod, Hanger                     | 91739Z          |
| 16             | Rod, Brake                     | 91745Z          | 45             | Washer                          | 17x124          |
| 17             | Rod, Cross Link                | 92183Z          | 46             | Hanger, Front                   | 92119E700       |
| 18             | Pin, Hair                      | 31x4            | 49             | Bolt, Hex                       | 1x84            |
| 19             | Nut, Adjustable                | 92131           | 50             | Housing, Jackshaft              | 90905           |
| 20             | Rod, Adjuster                  | 91748Z          | 51             | Jackshaft                       | 92849           |
| 21             | Nut, Adjustable                | 21920           | 52             | Adapter, Blade                  | 92466           |
| 22             | Link, Suspension               | 92064E700       | 53             | Blade, 38" (2 required)         | 94913E701       |
| 23             | Washer                         | 17x103          | 54             | Washer, Belleville              | 17x166          |
| 24             | Bracket Assembly, Right Lifter | 92485E700       | 55             | Washer                          | 17x165          |
| 25             | Nut, Flange                    | 15x79           | 56             | Nut, Hex                        | 15x100          |
| 26             | Bracket, Pivot                 | 92033E700       | 58             | Indicator, Plastic              | 92163           |
| 27             | Bolt, Shoulder                 | 9x39            | 59             | Washer                          | 17x48           |
| 28             | Arm Assembly, Idler            | 92032E700       | 60             | Housing, Blade (38")            | 91906E700       |
| 29             | Plate, Adjuster                | 91741E700       | 61             | Bolt, Shoulder                  | 9x42            |
| 30             | Cover, Pulley                  | 92083E700       | 1-61           | Complete Mower Housing Assembly | 403228          |

# MODEL 38711x29A

# REPAIR PARTS ENGINE MOUNT



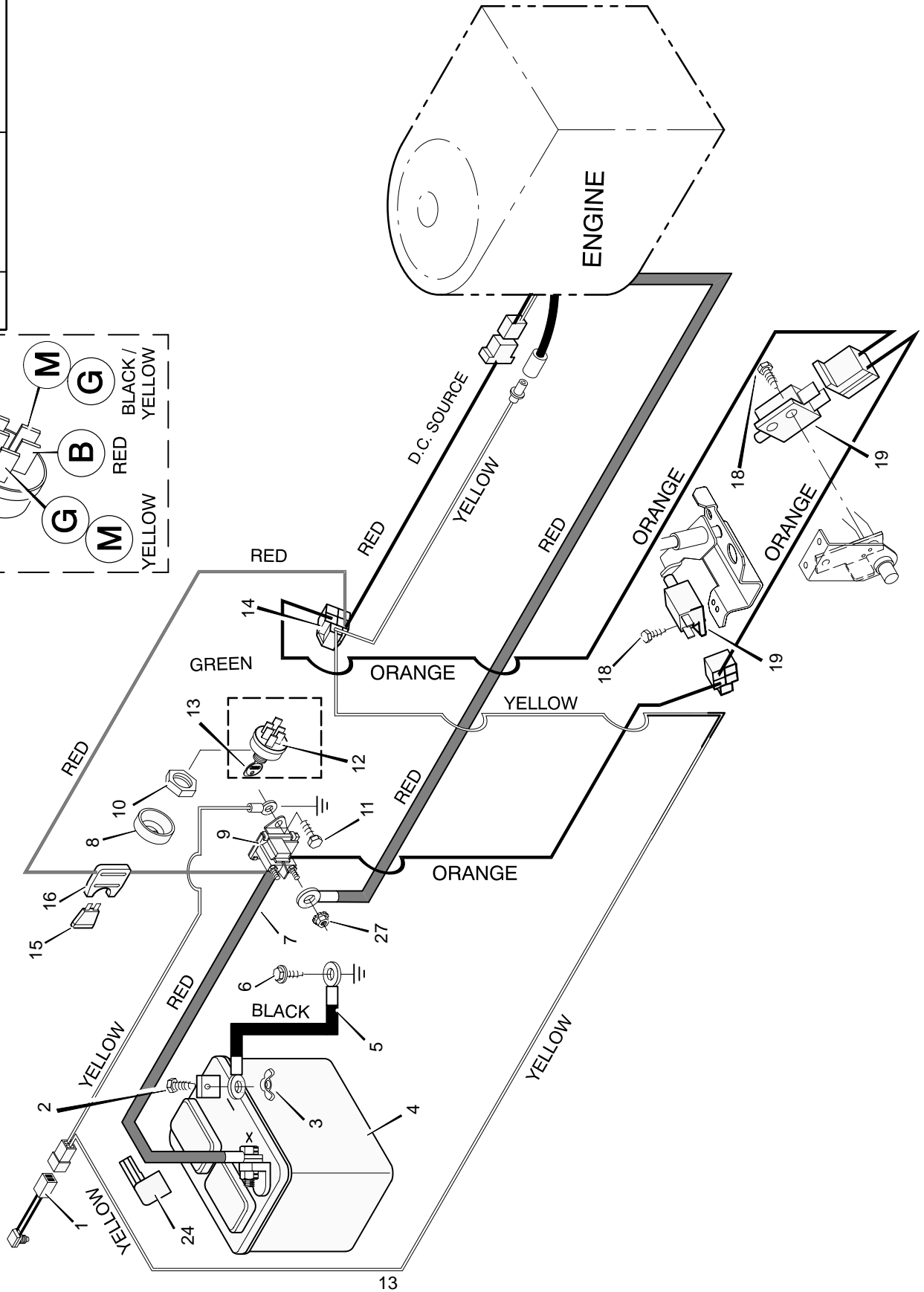
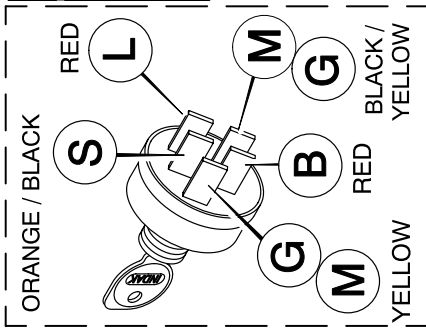
| <b>Key<br/>No.</b> | <b>Description</b>    | <b>Part<br/>No.</b> |
|--------------------|-----------------------|---------------------|
| 1                  | Fuel Cap              | 92317               |
| 2                  | Fuel Tank             | 91869               |
| 3                  | Hose Clamp            | 95197               |
| 4                  | Fuel Line             | 23715               |
| 5                  | Hose Clamp            | 95197               |
| 6                  | Screw                 | 26x201              |
| 7                  | Screw                 | 26x201              |
| 8                  | Throttle Control      | 91983               |
| 9                  | Engine*               | —                   |
| 11                 | Bolt, Engine Mount    | 25x7                |
| 12                 | Stack Pulley Assembly | 92318 Z             |
| 13                 | Lockwasher            | 19x35               |
| 14                 | Bolt, Hex             | 1x140               |
| 15                 | Washer                | 17x170              |

\* Parts are available from an Authorized Service Center. See "Engines, Gasoline" or "Gasoline Engines" in the yellow pages of the telephone directory.

# MODEL 38711x29A

# REPAIR PARTS ELECTRICAL SYSTEM

| POS. | FUNCTION | CIRCUIT (MAKE) |
|------|----------|----------------|
| 1    | OFF      | M+G            |
| 2    | RUN      | B+L            |
| 3    | START    | B+S            |



# MODEL 38711x29A

# REPAIR PARTS ELECTRICAL SYSTEM

| <b>Key No.</b> | <b>Description</b>    | <b>Part No.</b> |
|----------------|-----------------------|-----------------|
| 1              | Switch, Seat Sensor   | 91031           |
| 2              | Bolt                  | 2x82            |
| 3              | Wingnut               | 14x79           |
| 4              | Battery               | 91414           |
| 5              | Cable, Battery Ground | 24x30           |
| 6              | Screw                 | 26x249          |
| 7              | Cable, Red Battery    | 24x29           |
| 8              | Cap, Ignition         | 91488           |
| 9              | Solenoid              | 24285           |
| 10             | Nut                   | 91489           |
| 11             | Screw                 | 26x214          |
| 12             | Switch, Ignition      | 21064           |
| 13             | Key, Ignition         | 20729           |
| 14             | Harness, Chassis Wire | 250x88          |
| 15             | Fuse                  | 54212           |
| 16             | Holder, Fuse          | 407078          |
| 18             | Screw                 | 26x233          |
| 19             | Switch, Clutch        | 24273           |
| 24             | Cover, Terminal       | 54148           |
| 27             | Locknut               | 15x116          |