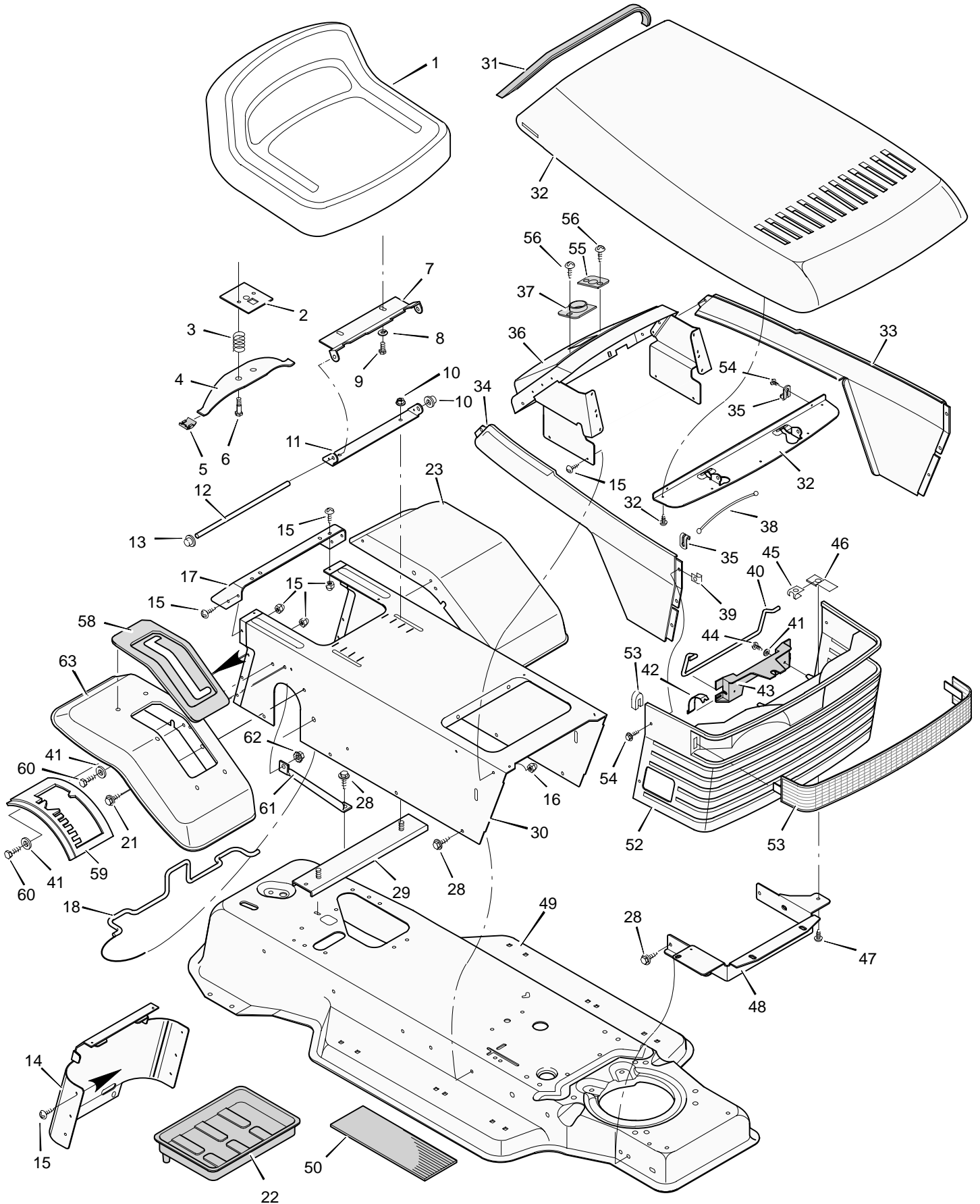


# MODEL 38632x66B

# REPAIR PARTS CHASSIS & HOOD



# MODEL 38632x66B

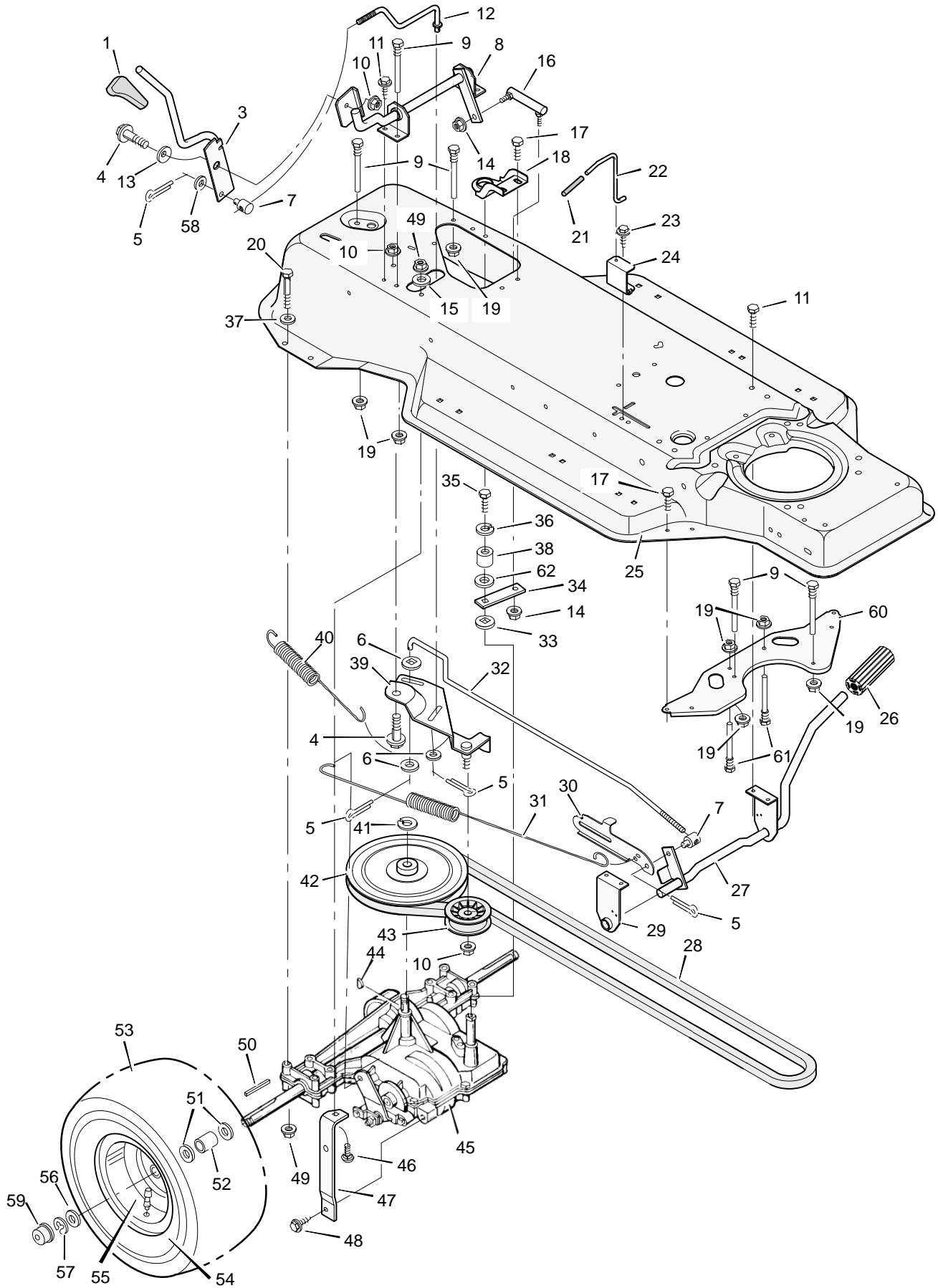
# REPAIR PARTS CHASSIS & HOOD

Key No.	Description	Part No.	Key No.	Description	Part No.
1	Seat	92387	38	Cable	92087
2	Plate Assembly, Switch	91963	39	U-Fastener	28x59
3	Spring, Compression	164x26	40	Rod, Hinge	91980Z
4	Spring, Seat	91964	41	Washer	17x38Z
5	Glide, Spring	91822	42	Spring, Hood	91979
6	Bolt, Shoulder	9x38	43	Bracket, Hood Mount	91978
7	Support, Seat	92334E701	44	Screw	26x253
8	Lockwasher	18x16	45	Nut, Speed	28x61
9	Bolt, Hex	1x45	46	Shield, Heat	92005Z
10	Locknut, Flange	15x88	47	Screw	26x252
11	Bracket, Pivot	91729E701	48	Support, Grille	91723E701
12	Rod, Pivot	91730E701	49	Frame Assembly	92515E701
13	Cap, Push On	28x23	50	Mat	91901
14	Cap, Console	92443E701	52	Grille	92284E245
15	Screw	26x270	53	Lens *	91850
16	Locknut	15x120	54	Screw	26x220
17	Fender, Apron	91724E701	55	Bearing	93155
18	Clamp, Battery	92725	56	Screw	26x238
21	Screw	26x263	58	Cover, Shift	91905
22	Tray, Battery	91895	59	Gate, Shift	91892E701
23	Fender	92328E245	60	Bolt, Hex	1x38
25	Screw	26x184	61	Strut, Shifter	91910E701
28	Screw	26x249	62	Locknut	15x66
29	Channel Assembly	91857E701	63	Fender, SOG	92379E245
30	Console	92728E701	—	Instruction Book (English)	F-96779
31	Trim, Edge	21765	—	Repair Parts Book	F-96780
32	Hood Assembly	92089E245	—	Decal, Left Hood	44x4293
33	Panel, Left	93133E701	—	Decal, Grille	44x4291
34	Panel, Right	91778E701	—	Decal, Right Hood	44x4294
35	Clip, Cable	92013	—	Decal, Left Console	44x4421
36	Dash Assembly	93175E701	—	Decal, Right Console	44x5454
37	Bearing, Steering	93135	—	Decal, Shift Pattern	44x119

\* Included with Key No. 52.

# MODEL 38632x66B

# REPAIR PARTS MOTION DRIVE



# MODEL 38632x66B

# REPAIR PARTS MOTION DRIVE

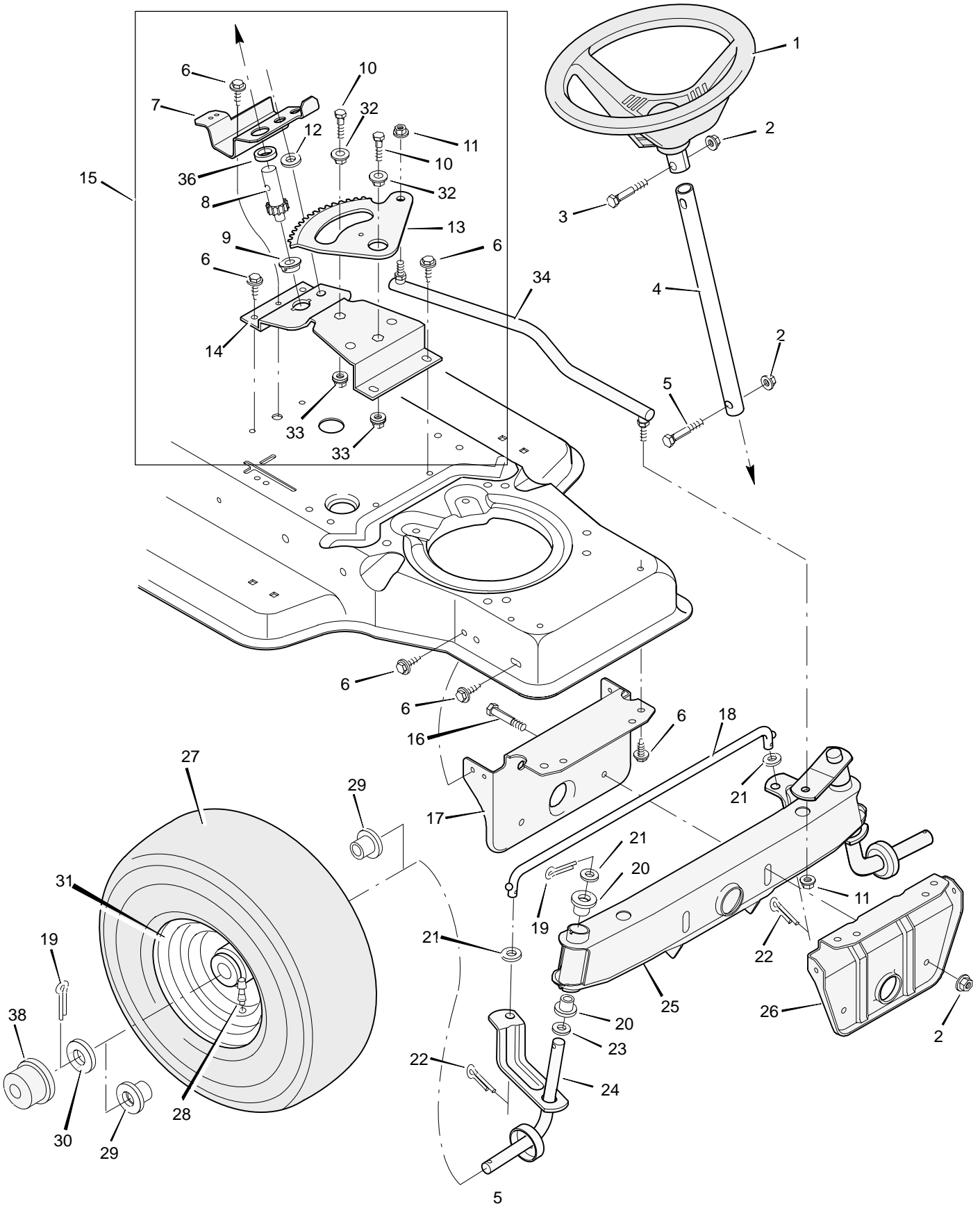
Key No.	Description	Part No.	Key No.	Description	Part No.
1	Grip	92697	33	Washer	17x148
3	Handle, Shift	92031Z	34	Yoke, Shift	92041Z
4	Bolt, Shoulder	9x39	35	Bolt, Hex	1x145
5	Pin, Cotter	30x20	36	Lockwasher	18x32
6	Washer	17x47Z	37	Washer	17x146Z
7	Nut, Adjustable	21920	38	Pilot, Support	91889
8	Shifter Assembly	92043E701	39	Bracket Assembly, Idler	92737Z
9	Guide, Belt	91754	40	Spring, Motion Drive	165x76
10	Locknut, Flange	15x84	41	Ring, Retainer	11x7
11	Screw	26x249	42	Pulley, Motion Drive	91807
12	Link, Clutch	91877	43	Pulley, Backside Idler	91179
13	Washer, Curved	20x1	44	Key, Woodruff	20697
14	Locknut, Flange	15x87	45	Transaxle, Complete (Peerless)	†
15	Washer	17x45	46	Bolt, Carriage	2x64
16	Link Assembly, Shifter	92085	47	Support, Transaxle	91804E701
17	Screw	26x249	48	Screw	26x216
18	Bracket, Support	91899Z	49	Locknut, Flange	15x88
19	Nut, Flange	15x79	50	Key, Square	21553
20	Bolt, Hex	1x124	51	Washer	17x160
21	Grip	92724	52	Spacer, Transaxle	87x100Z
22	Rod, Control	91727E701	53	Tire (Included with Key No. 54) *	91914
23	Screw	26x214	—	Tube (Included with Key No. 54)	407049
24	Guide, Bracket	91825E701	54	Wheel and Tire Assembly	92289–601
25	Frame Assembly	92515E701	55	Valve Stem	24373
26	Pedal, Clutch/Brake	21544	56	Washer	17x115
27	Lever Assembly	91862E701	57	E–Ring	11x3
28	Belt, Motion Drive	37x61	58	Washer	17x53Z
29	Bracket, Lever Support	91713E701	59	Hub Cap (Optional)	24582
30	Latch, Park Brake	91712Z	60	Plate, Belt Guide	92694E701
31	Spring, Brake Extension	165x82	61	Guide, Belt	20619
32	Rod, Clutch	91808Z	62	Washer	17x180

\* When you order a tire, make sure to give the brand name of the tire so that the tread pattern on the tire will match.

† Parts are available from a Tecumseh Authorized Service Center. See “Engines, Gasoline” or “Gasoline Engines” in the yellow pages of the telephone directory.

# MODEL 38632x66B

# REPAIR PARTS STEERING



# MODEL 38632x66B

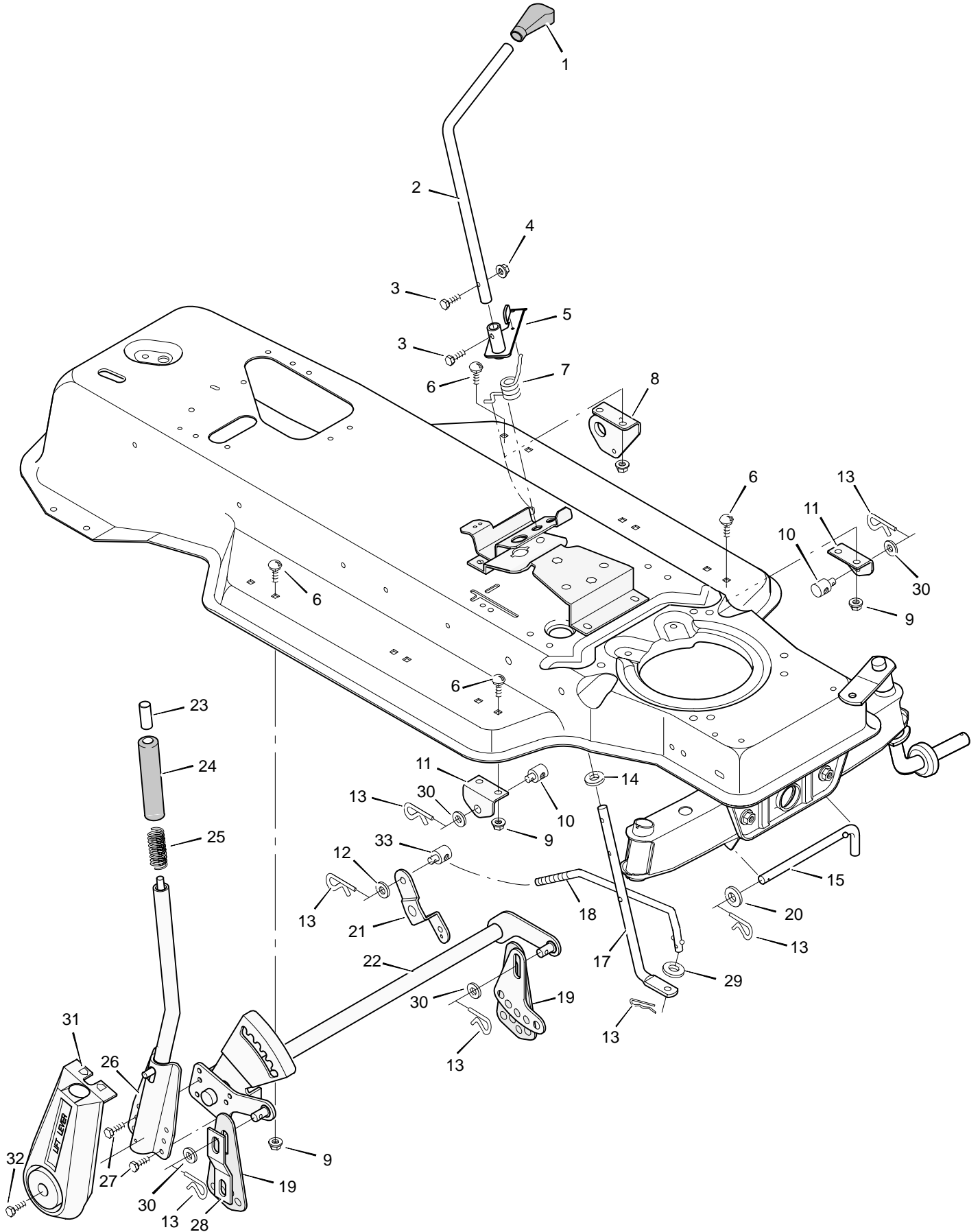
# REPAIR PARTS STEERING

Key No.	Description	Part No.
1	Wheel, Steering	92078
2	Nut, Hex	15x118
3	Bolt, Hex	1x66
4	Post, Steering	91860Z
5	Bolt, Hex	1x74
6	Screw	26x249
7	Bracket, Sector	91716E701
8	Gear, Pinion	92715
9	Bearing	92716
10	Bolt, Hex	1x84
11	Locknut, Flange	15x87
12	Spacer	92564
13	Gear, Sector	92316
14	Bracket, Sector	91708E701
15	Kit, Steering Gear	402075
16	Bolt, Hex	1x146
17	Support, Rear Axle	92529E701
18	Rod, Tie	90038E701
19	Pin, Cotter	30x49
20	Bearing	92527
21	Washer	17x57
22	Pin, Cotter	30x20
23	Washer	17x113
24	Spindle Assembly, Right	91828E701
25	Spindle Assembly, Axle & Left	92519E701
26	Support, Front Axle	92528E701
27	Tire*	91912
—	Tube	407047
28	Stem, Valve	24373
29	Bearing, Wheel	91334
30	Washer	17x115
31	Wheel & Tire Assembly	92287-601
32	Bearing	92097
33	Locknut, Flange	15x113
34	Link, Drag	91749E701
36	Spacer, Pinion Gear	92280
38	Hub Cap (Optional)	24582

\* When you order a tire, make sure to give the brand name of the tire so that the tread pattern on the tire will match.

# MODEL 38632x66B

# REPAIR PARTS MOWER HOUSING SUSPENSION



# MODEL 38632x66B

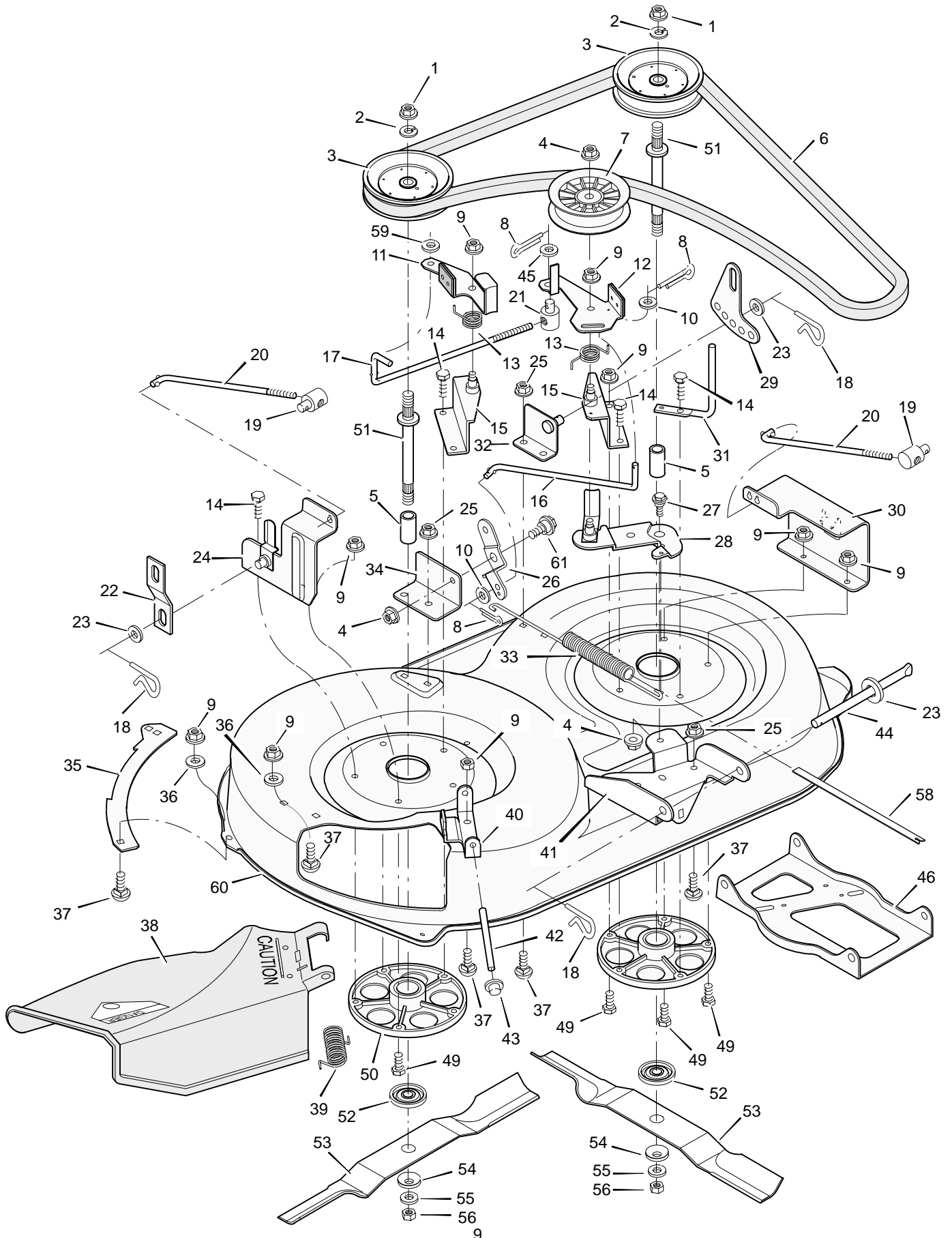
# REPAIR PARTS MOWER HOUSING SUSPENSION

Key No.	Description	Part No.
1	Grip	92698
2	Control, Blade Rotation	91781Z
3	Bolt, Hex	25x3
4	Locknut, Hex	15x67
5	Lever Assembly, Switch	91917E701
6	Bolt, Carriage	2x53
7	Spring, Torsion	166x32
8	Bracket, Rear Hanger	92066E701
9	Nut, Flange	15x79
10	Nut, Adjusting	92131
11	Bracket, Adjuster Rod	92133E701
12	Washer	17x124
13	Pin, Hair	31x4
14	Washer	17x122
15	Pin, Pull	90827Z
17	Lever, Lower Blade Control	91787E701
18	Rod, Blade Control	91795Z
19	Plate, Adjuster	91741E701
20	Washer	17x103
21	Bracket, Pivot	92033E701
22	Lifter Assembly	92065E701
23	Button, Push	92572
24	Grip	92783
25	Spring, Compression	164x21
26	Handle Assembly	91823E701
27	Screw	26x49
28	Link, Suspension	92064E701
29	Washer	17x47Z
30	Washer	17x91Z
31	Cover, Lift Lever (Optional)	92157
32	Screw	26x263
33	Nut, Adjusting	21920



# MODEL 38632x66B

# REPAIR PARTS MOWER HOUSING



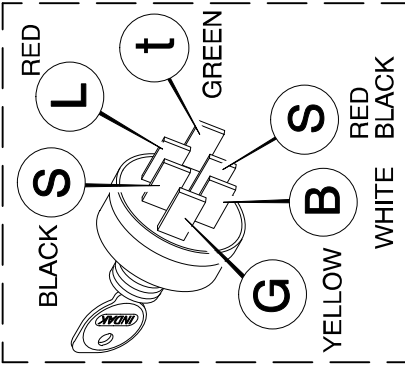
# MODEL 38632x66B

# REPAIR PARTS MOWER HOUSING

Key No.	Description	Part No.	Key No.	Description	Part No.
1	Nut, Hex	15x100	31	Guide, Belt	91797E701
2	Lockwasher	18x33	32	Bracket Assembly, Left Lifter	91813E701
3	Pulley, Jackshaft	91769	33	Spring, Extension	165x72
4	Locknut, Flange	15x84	34	Bracket, Pivot	91743E701
5	Spacer	91903	35	Plate	91770E701
6	Belt, Blade Drive	37x63	36	Washer	17x57
7	Pulley, Idler	91801	37	Bolt, Carriage	2x53
8	Pin, Cotter	30x20	38	Deflector Assembly, Chute	92465
9	Locknut, Flange	15x88	39	Spring, Torsion	166x4
10	Washer	17x46Z	40	Bracket, Hinge	91765E701
11	Brake Assembly, Right	92186E701	41	Bracket, Front Hanger	91793E701
12	Brake Assembly, Left	92187E701	42	Rod, Deflector	91767Z
13	Spring, Torsion	166x27	43	Cap, Push On	28x23
14	Bolt, Hex	25x7	44	Rod, Hanger	91739Z
15	Bracket Assembly, Brake	92072E701	45	Washer	17x124
16	Rod, Brake	91745Z	46	Hanger, Front	92119E701
17	Rod, Cross Link	92183Z	49	Bolt, Hex	1x84
18	Pin, Hair	31x4	50	Housing, Jackshaft	90905
19	Nut, Adjustable	92131	51	Jackshaft	91922
20	Rod, Adjuster	91748Z	52	Adapter, Blade	92466
21	Nut, Adjustable	21920	53	Blade, 38" (2 required)	92003E701
22	Link, Suspension	92064E701	54	Washer, Belleville	17x166
23	Washer	17x103	55	Washer	17x165
24	Bracket Assembly, Right Lifter	92485E701	56	Nut, Hex	15x100
25	Nut, Flange	15x79	58	Indicator, Plastic	92163
26	Bracket, Pivot	92033E701	59	Washer	17x48
27	Bolt, Shoulder	9x39	60	Housing, Blade (38")	91732E701
28	Arm Assembly, Idler	92032E701	61	Bolt, Shoulder	9x42
29	Plate, Adjuster	91741E701	1-61	Complete Mower Housing Assembly	403228
30	Cover, Pulley	92083E701			

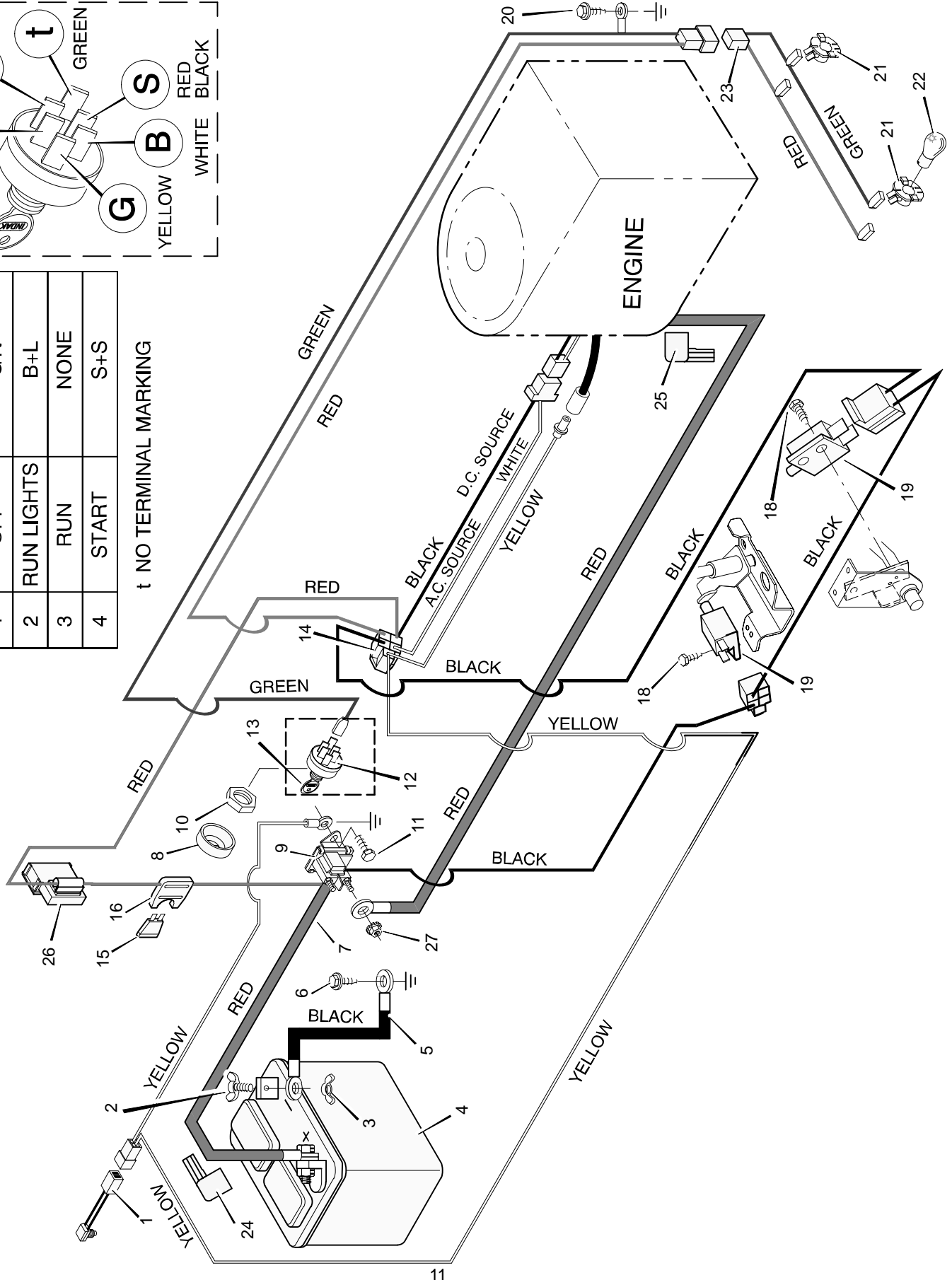
# MODEL 38632x66B

# REPAIR PARTS ELECTRICAL SYSTEM



POS.	FUNCTION	CIRCUIT (MAKE)
1	OFF	G+t
2	RUN LIGHTS	B+L
3	RUN	NONE
4	START	S+S

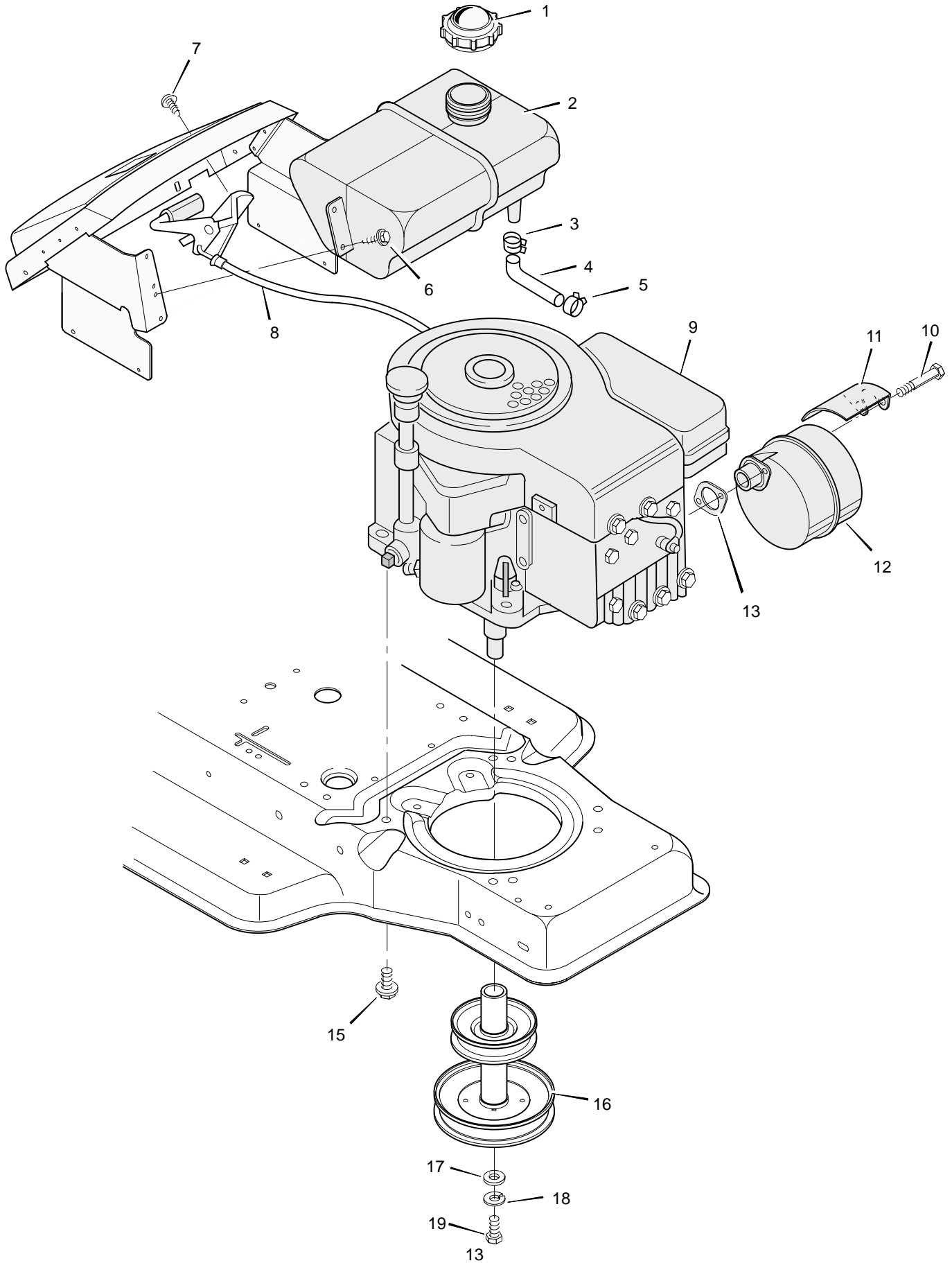
t NO TERMINAL MARKING



<b>Key No.</b>	<b>Description</b>	<b>Part No.</b>
1	Switch, Seat Sensor	91031
2	Bolt	6x99
3	Wingnut	14x79
4	Battery	91414
—	Acid, Battery (Electrolyte)	55702
5	Cable, Battery Ground	24x9
6	Screw	26x249
7	Cable, Red Battery	24x29
8	Cap, Ignition	91488
9	Solenoid	24285
10	Nut	91489
11	Screw	26x214
12	Switch, Ignition	92377
13	Key, Ignition	20729
14	Harness, Chassis Wire	250x50
15	Fuse	54212
16	Holder, Fuse	407078
18	Screw	26x233
19	Switch, Clutch	24273
20	Screw	25x2
21	Socket, Light	92372
22	Bulb, Light	90084
23	Harness, Light Wire	250x40
24	Cover, Terminal	54148
25	Cover, (Optional)	24196
26	Ammeter	93156
27	Locknut	15x116

# MODEL 38632x66B

# REPAIR PARTS ENGINE MOUNT



# MODEL 38632x66B

# REPAIR PARTS ENGINE MOUNT

Key No.	Description	Part No.
1	Fuel Cap	92317
2	Fuel Tank	91869
3	Hose Clamp	91174
4	Fuel Line	90671
5	Hose Clamp	23713
6	Screw	26x214
7	Screw	26x201
8	Throttle Control	91983
9	Engine*	—
10	Bolt	1x134
11	Shield, Heat	91277E701
12	Muffler	91271
13	Gasket	91309
15	Bolt, Engine Mount	25x7
16	Pulley, Stack	92318
17	Washer	17x170
18	Lockwasher	19x35
19	Bolt, Hex	1x140

\*The engine model, type and code numbers are on the engine. All parts to the engine are available from a Briggs & Stratton Authorized Service Center. See "Engines, Gasoline" or "Gasoline Engines" in the yellow pages of the telephone directory.