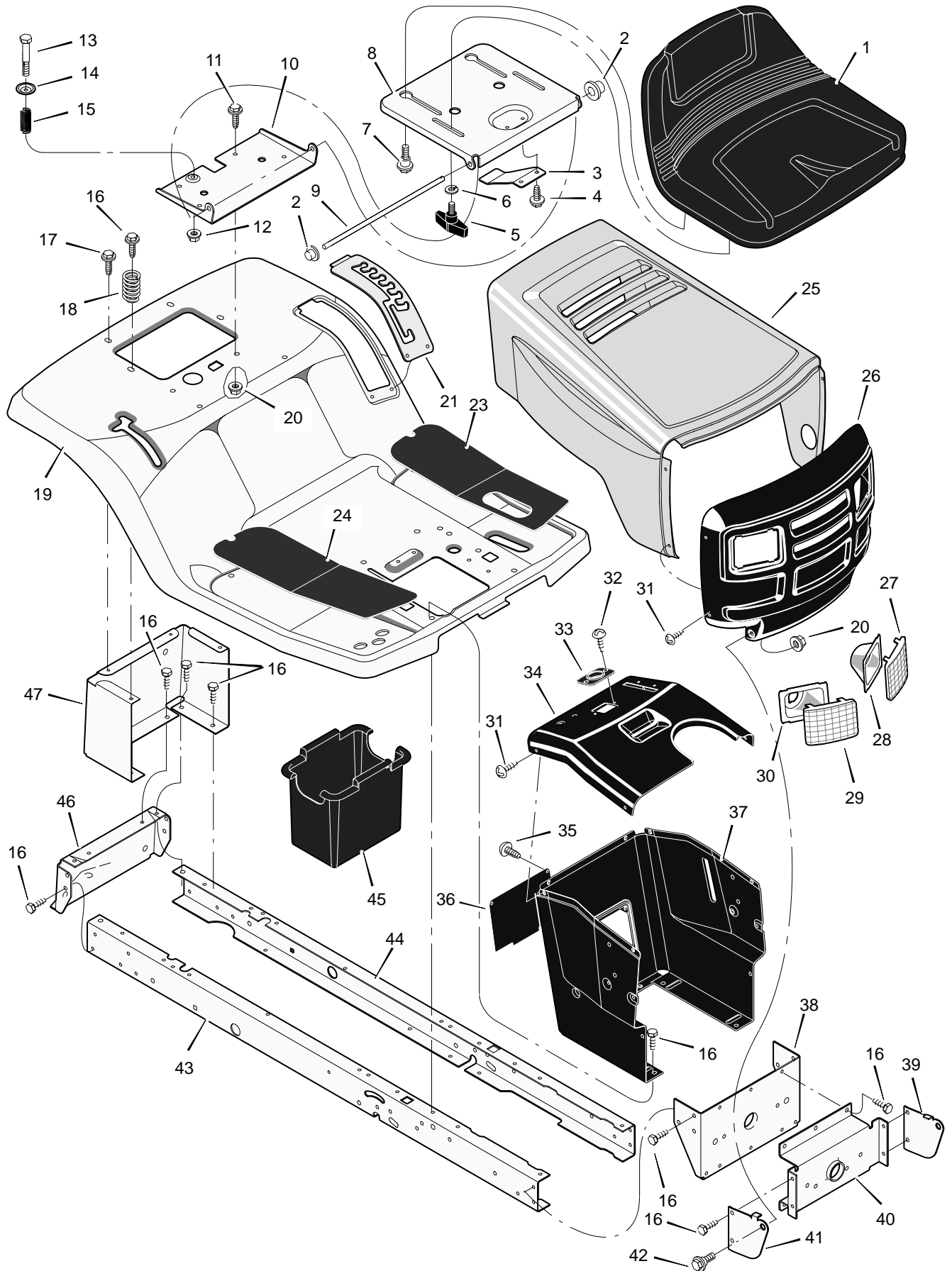


MODEL 38502x66A

REPAIR PARTS CHASSIS & HOOD



MODEL 38502x66A

REPAIR PARTS CHASSIS & HOOD

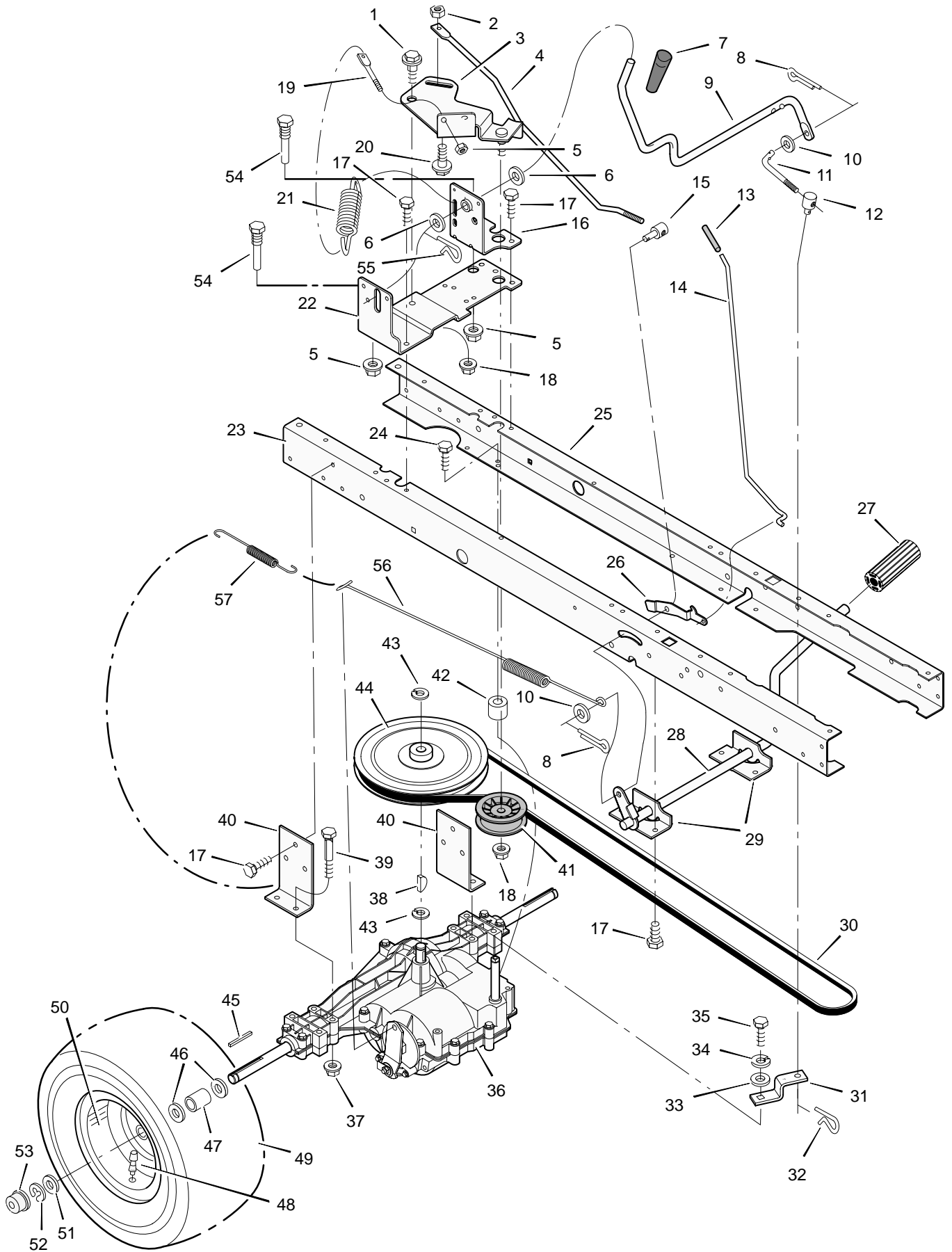
Key No.	Description	Part No.	Key No.	Description	Part No.
1	Seat	94162	29	Lens, Right	94080
2	Cap, Push On	28x23	30	Bezel, Right	94076Z
3	Spring	94057	31	Screw	26x270
4	Screw	26x229	32	Screw	26x239
5	Bolt, Wing	94160	33	Bearing, Steering	94075
6	Washer	17x47Z	34	Dash	94074
7	Bolt, Shoulder	9x56	35	Screw	26x250
8	Support, Seat	94154E245	36	Panel, Access	93007E701
9	Rod, Pivot	94156	37	Support, Dash	94078E701
10	Bracket, Pivot	94153E245	38	Bracket, Rear Hanger	94013E701
11	Bolt	1x45	39	Support, Left Grille	94083E701
12	Nut	15x89	40	Axle, Hanger	94007E701
13	Bolt, Shoulder	9x55	41	Support, Right Grille	94082E701
14	Washer	94155Z	42	Bolt, Shoulder	9x51
15	Spring	164x31	43	Frame, Right	94000E701
16	Screw	26x249	44	Frame, Left	94001E701
17	Screw	26x263	45	Container, Battery	94069
18	Spring	164x30	46	Plate, Hitch	94002E245
19	Deck, Seat	94070E245	47	Panel, Rear	94023E245
20	Nut	15x88	—	Decal, Right Hood	44x7487
21	Plate, Index	94829E701	—	Decal, Left Hood	44x7488
23	Mat, Left	94149	—	Decal, Warning	44x6815
24	Mat, Right	94148	—	Decal, Shifter	44x6278
25	Hood	94072E245	—	Book, Instruction *	F-97882
26	Grille	94079E701	—	Book, Instruction +	F-97883
27	Lens, Left	94081	—	Parts List	F-97884
28	Bezel, Left	94077Z			

* Languages; English, French, German, Italian

+ Languages; Dutch, Danish, Norwegian, Swedish, Finnish

MODEL 38502x66A

REPAIR PARTS MOTION DRIVE



MODEL 38502x66A

REPAIR PARTS MOTION DRIVE

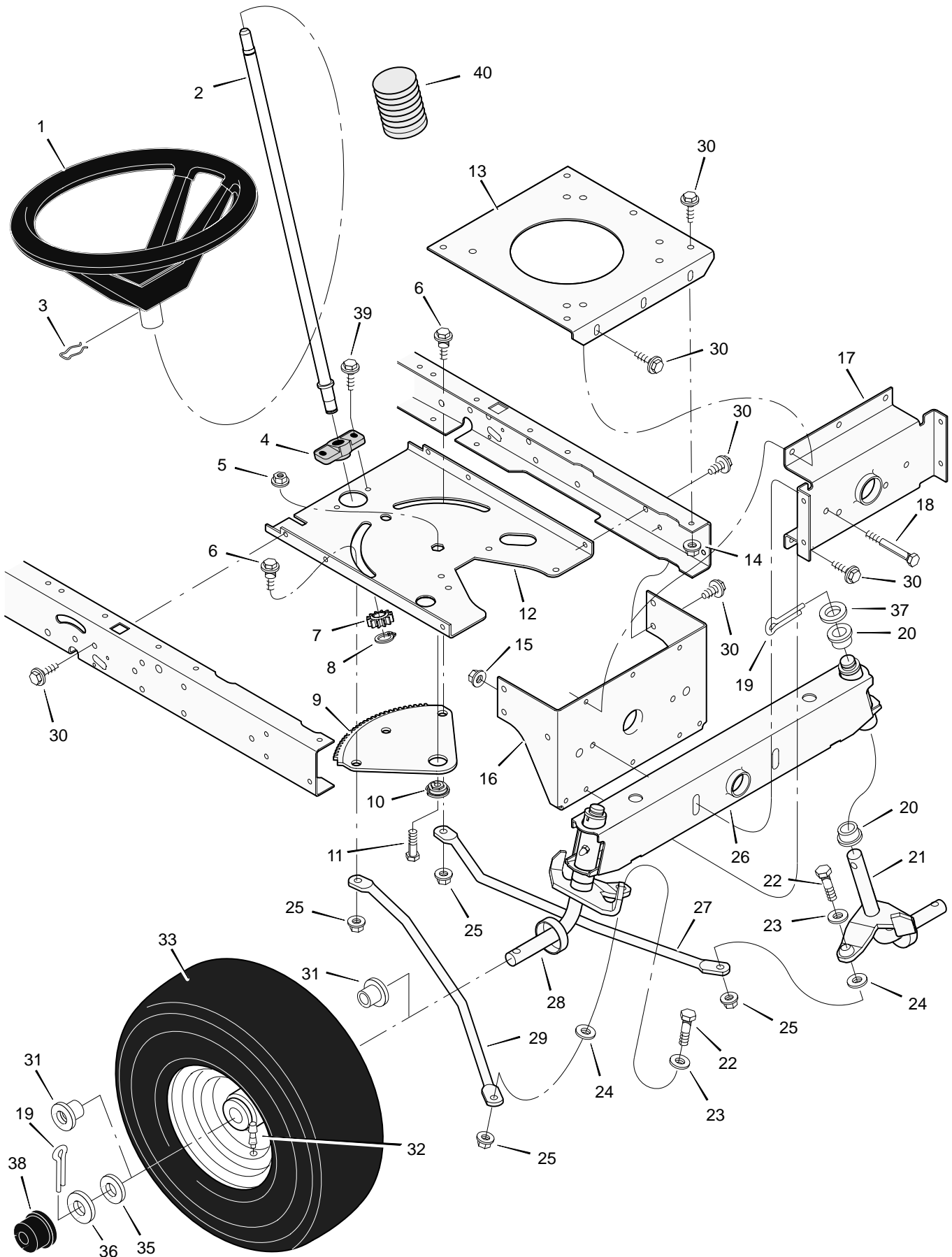
Key No.	Description	Part No.	Key No.	Description	Part No.
1	Bolt, Shoulder	9x39	30	Belt, Motion Drive	37x87
2	Nut, Hex	15x89	31	Yoke, Shift	94031Z
3	Arm, Idler	94040Z	32	Pin, Hair	31x6
4	Rod, Clutch	94041Z	33	Washer	17x148
5	Nut	15x79	34	Washer	18x32
6	Washer	17x102	35	Bolt	1x145
7	Grip	92697	36	Transaxle **	—
8	Pin, Cotter	30x20	37	Nut	15x88
9	Lever, Shift	94043Z	38	Key, Woodruff	20697
10	Washer	17x53	39	Bolt	1x124
11	Link, Shift	94044Z	40	Bracket, Transaxle	94008E701
12	Nut, Adjuster	21920	41	Pulley	91179
13	Grip	92724	42	Spacer	94132
14	Rod, Parking Brake	94152Z	43	E-Ring	11x7
15	Nut, Adjuster	94815	44	Pulley, Drive	91807
16	Bracket, Shift	94034E701	45	Key, Square	21553
17	Screw	26x249	46	Washer	17x160
18	Nut	15x84	47	Spacer, Transaxle	87x100
19	Link	94042Z	48	Stem, Valve	24373
20	Bolt, Shoulder	9x54	49	Tire *	91923
21	Spring, Extension	165x116	—	Tube	407049
22	Bracket, Shifter	94033E701	50	Wheel & Tire Assembly	92288-601
23	Frame, Right	94000E701	51	Washer	17x115
24	Screw	25x12	52	E-Ring	11x3
25	Frame, Left	94001E701	53	Hub Cap (Optional)	94618
26	Latch, Parking Brake	94045ZE701	54	Guide, Belt	93349
27	Pedal	21544	55	Pin, Hair	31x4
28	Lever, Brake/Clutch	94038E701	56	Spring, Extension	165x115
29	Bracket, Pedal	94035E701	57	Spring, Extension	165x92

* When you order a tire, make sure to give the brand name of the tire so that the tread pattern on the tire will match.

** For information on Replacement Parts see the Central Parts Distributor in your area.

MODEL 38502x66A

REPAIR PARTS STEERING



MODEL 38502x66A

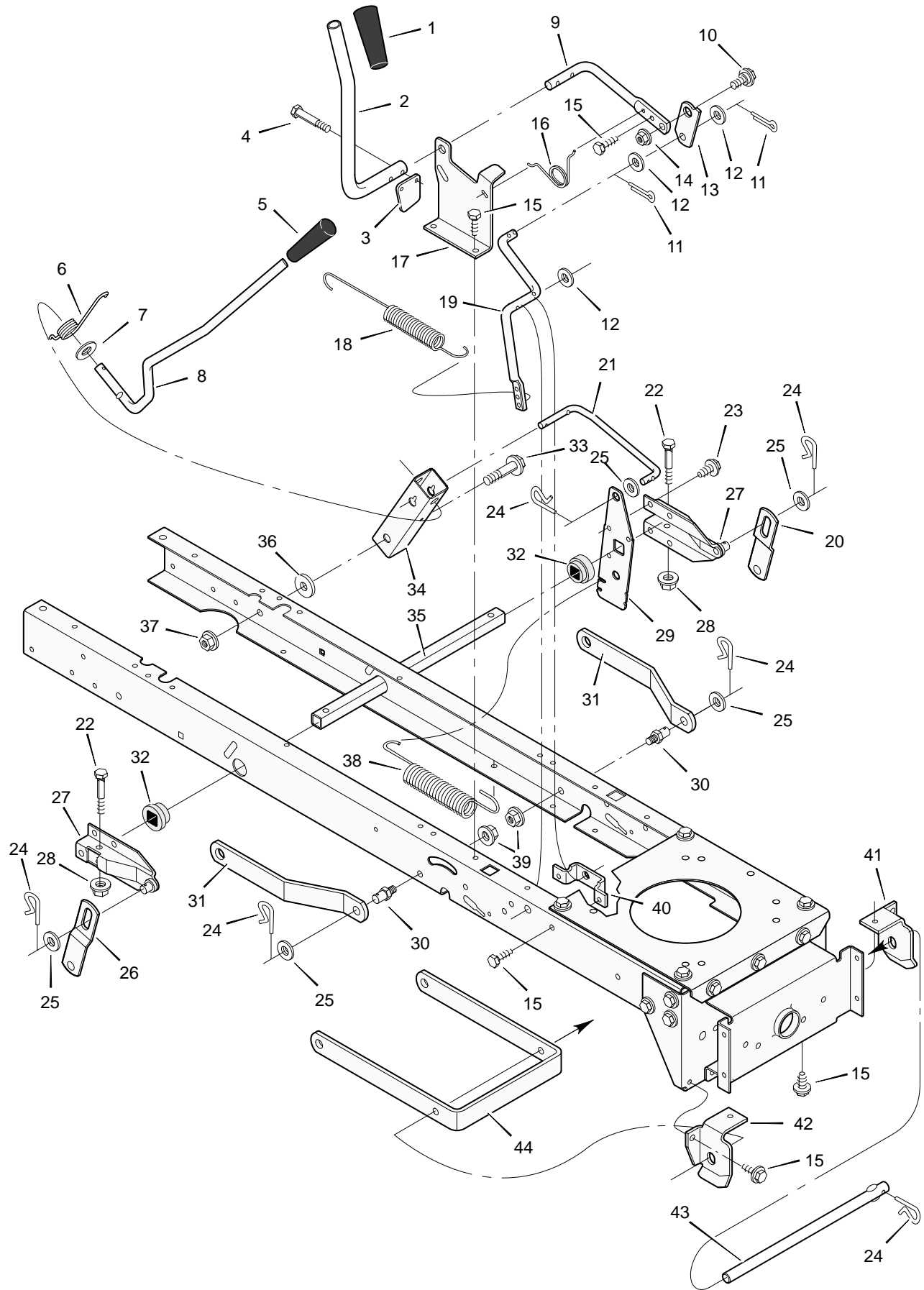
REPAIR PARTS STEERING

Key No.	Description	Part No.
1	Wheel, Steering	94134
2	Post, Steering	94127
3	Clip, Retainer	94131
4	Bearing	94124
5	Nut, Flange	15x113
6	Bolt, Shoulder	9x57
7	Gear, Pinion	94122
8	Ring, Snap	11x25
9	Gear, Sector	94121
10	Bearing	94123
11	Bolt	1x84
12	Plate, Steering	94003E701
13	Plate, Engine	94006E701
14	Nut, Flange	15x88
15	Nut, Flange	15x118
16	Bracket, Hanger	94013E701
17	Axle, Hanger	94007E701
18	Bolt	1x146
19	Pin, Cotter	30x49
20	Bearing	92527
21	Spindle Assembly, Left	94576E245
22	Bolt	1x111
23	Washer	17x104
24	Washer	17x53
25	Nut, Flange	15x84
26	Axle Assembly	94012E701
27	Drag Link, Left	94021E701
28	Spindle Assembly, Right	94575E245
29	Drag Link, Right	94020E701
30	Screw	26x249
31	Bearing, Wheel	91334
32	Stem, Valve	24373
33	Tire *	91912
34	Wheel and Tire Assembly	94578-601
35	Washer	17x195
36	Washer	17x192
37	Washer	17x113
38	Hub Cap (Optional)	94618
39	Screw	26x267
40	Bellows (Optional)	92059

* When you order a tire, make sure to give the brand name of the tire so that the tread pattern on the tire will match.

MODEL 38502x66A

REPAIR PARTS MOWER HOUSING SUSPENSION



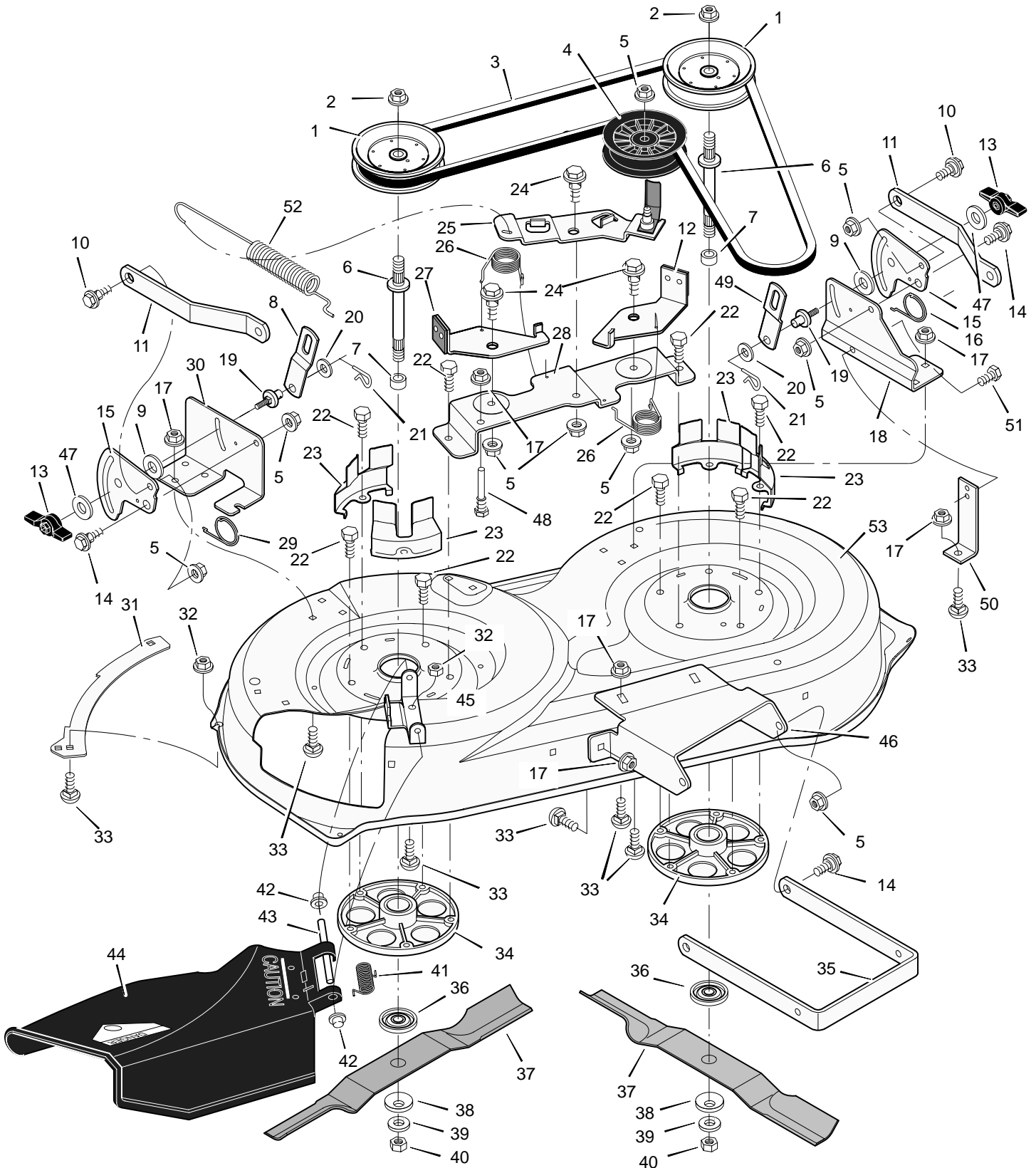
MODEL 38502x66A

REPAIR PARTS MOWER HOUSING SUSPENSION

Key No.	Description	Part No.	Key No.	Description	Part No.
1	Grip	92698	23	Screw	26x49
2	Handle	94157Z	24	Pin, Hair	31x4
3	Pad, Switch	94022E701	25	Washer	17x91Z
4	Bolt	25x3	26	Link, Right Lift	94053E701
5	Grip	92697	27	Lever Assembly, Lift	94180E701
6	Spring	166x40	28	Nut, Flange	15x118
7	Washer	17x103	29	Plate, Lift Arm	94030E701
8	Lever, Lift	94029Z	30	Pin	94067
9	Lever, PTO	94017Z	31	Bracket, Rear Suspension	94055E701
10	Bolt, Shoulder	9x39	32	Bushing	94065
11	Pin, Cotter	30x20	33	Bolt, Shoulder	9x53
12	Washer	17x102	34	Bracket, Pivot	94015E701
13	Link, PTO	94004Z	35	Tube, Deck Lift	94063E701
14	Nut, Flange	15x84	36	Washer	17x191
15	Screw	26x249	37	Nut, Flange	15x84
16	Spring	166x39	38	Spring	165x117
17	Bracket, PTO	94018	39	Nut, Flange	15x68
18	Spring	165x118	40	Bracket, PTO	94005E701
19	Crank, PTO	94019 D	41	Hanger, Left Deck	94027E701
20	Link, Left Lift	94611E701	42	Hanger, Right Deck	94026E701
21	Link, Lift	94028E701	43	Rod, Hanger	94158Z
22	Bolt	1x74	44	Bracket, Suspension	94058E701

MODEL 38502x66A

REPAIR PARTS MOWER HOUSING



MODEL 38502x66A

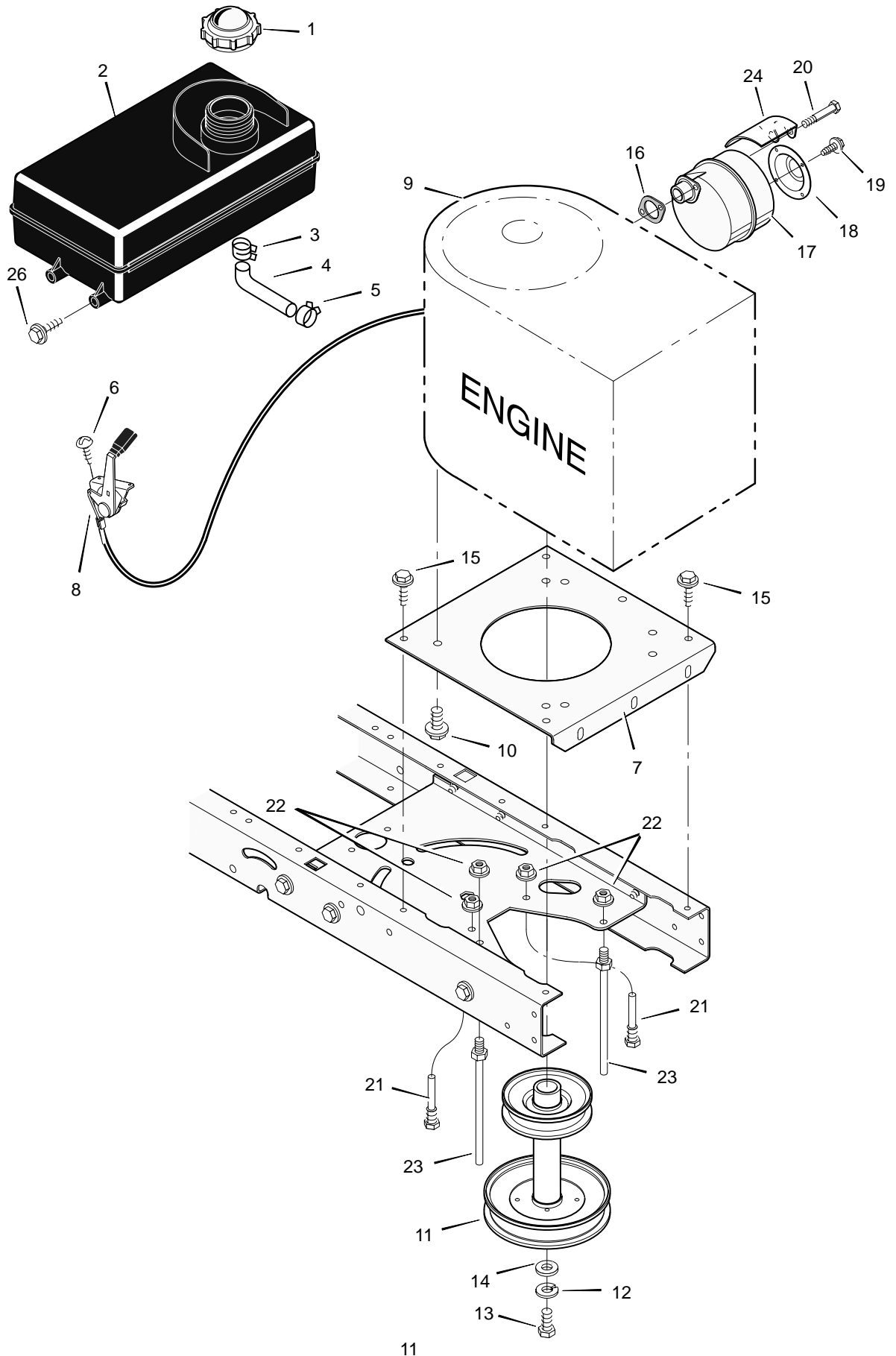
REPAIR PARTS MOWER HOUSING

Key No.	Description	Part No.	Key No.	Description	Part No.
1	Pulley, Jackshaft	92852	28	Bracket Assembly, Brake	94059E701
2	Nut, Hex	15x121	29	Spring	166x42
3	Belt, Mower Drive	37x86	30	Bracket, Suspension	94052E701
4	Pulley, Idler	91801	31	Plate	91770E701
5	Nut, Flange	15x84	32	Nut, Flange	15x88
6	Jackshaft	94129	33	Bolt, Carriage	2x53
7	Spacer	94130	34	Mandrell	90905
8	Link, Right Lift	94053E701	35	Bracket, Suspension	94058E701
9	Pad, Friction	94137	36	Adapter, Blade	92466
10	Bolt, Shoulder	9x52	37	Blade	94913E701
11	Bracket, Suspension	94055E701	38	Washer	17x166
12	Pad Assembly, Left Brake	94049	39	Washer	17x165
13	Knob	94068	40	Nut	15x100
14	Bolt, Shoulder	9x51	41	Spring	166x4
15	Plate, Suspension	94128E701	42	Cap, Push On	28x23
16	Spring	166x43	43	Rod, Pivot	91767 Z
17	Nut, Flange	15x79	44	Deflector	94452
18	Bracket, Suspension	94054E701	45	Bracket, Deflector	91765E701
19	Pin, Hanger	94064	46	Bracket, Front Hanger	94062E701
20	Washer	17x103	47	Washer	17x45
21	Pin, Cotter	31x4	48	Guide, Belt	20619
22	Bolt	25x7	49	Link, Left Lift	94611E701
23	Cover, Pulley	94051E701	50	Bracket, Support	94681E701
24	Bolt, Shoulder	9x39	51	Screw	26x249
25	Arm, Idler	94177	52	Spring, Extension	165x118
26	Spring	166x41	53	Housing, Blade *	94061E701
27	Pad Assembly, Right Brake	94047	1-53	Complete Mower Housing Assembly	776000

* Includes Key No. 17, 18, 30, 31, 32, 33, 45, 46, 47 and 51.

MODEL 38502x66A

REPAIR PARTS ENGINE MOUNT



MODEL 38502x66A

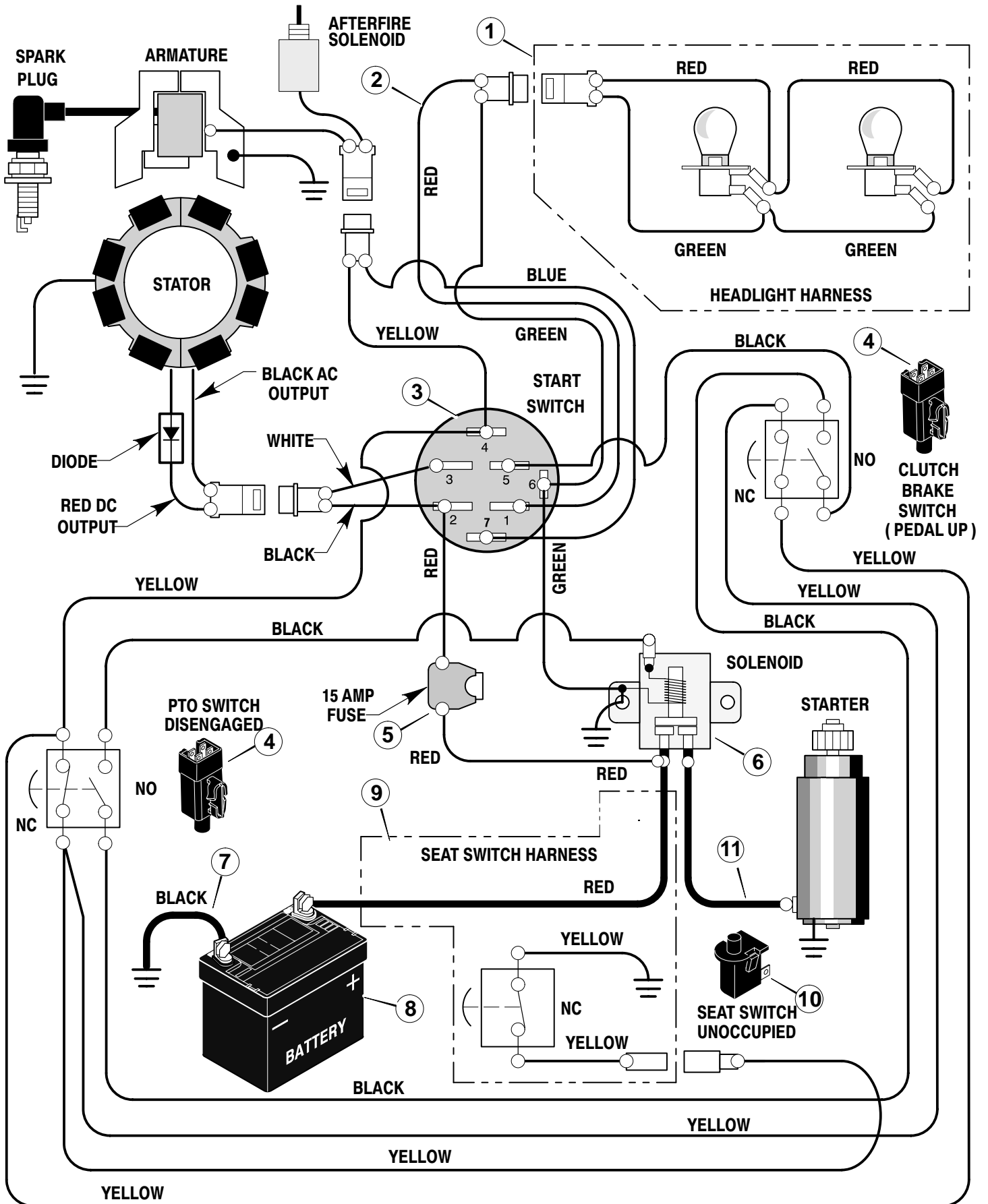
REPAIR PARTS ENGINE MOUNT

Key No.	Description	Part No.
1	Fuel Cap	92317
2	Fuel Tank	94073
3	Hose Clamp	91174
4	Fuel Line	23717
5	Hose Clamp	91174
6	Screw	26x201
7	Plate, Engine	94006E701
8	Throttle Control	91989
9	Engine*	———
10	Bolt, Engine Mount	25x7
11	Stack Pulley Assembly	94139Z
12	Lockwasher	19x35
13	Bolt, Hex	1x140
14	Washer	17x170
15	Screw	26x249
16	Gasket	91309
17	Muffler	91271
18	Deflector, Muffler	94099Z
19	Screw	26x208
20	Bolt, Hex	1x134
21	Guide, Belt	93349Z
22	Nut, Flange	15x79Z
23	Guide, Belt	94066Z
24	Shield, Heat	91277 SE
26	Screw	26x253

* Parts are available from a Briggs & Stratton Authorized Service Center. See "Engines, Gasoline" or "Gasoline Engines" in the yellow pages of the telephone directory.

MODEL 38502x66A

REPAIR PARTS ELECTRICAL SYSTEM



Key No.	Description	Part No.
1	Harness, Light Wire	250x68
	Socket, Light	92372
	Bulb, Light	90084
2	Harness, Chassis Wire	250x66
3	Switch, Ignition	92377
	Key, Ignition	20729
	Nut, Hex	91489
	Cap, Ignition	91488
4	Switch, Limit	94136
5	Fuse	54212
	Holder, Fuse	407078
6	Solenoid	94613
	Screw, Mounting	26x229
	Locknut	15x116
7	Cable, Battery Ground	24x32
	Screw, Ground Cable	26x213
8	Battery	21075
	Acid, Battery (Electrolyte)	93292
	Bolt, Carriage	2x82
	Wingnut	14x79
9	Harness, Seat Switch Wire	250x67
10	Switch, Seat Sensor	94159
11	Cable	24x31