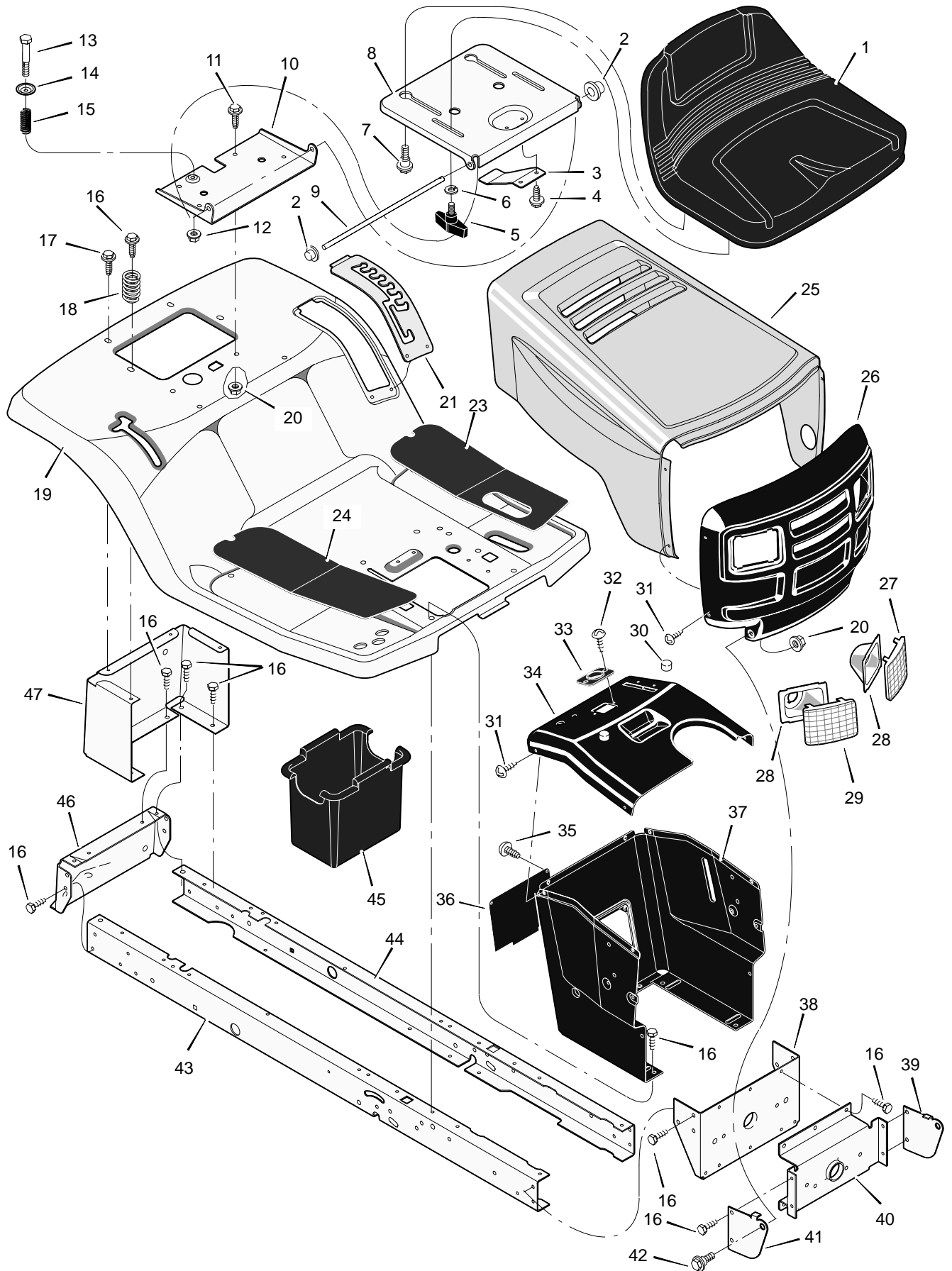


MODEL 385020x51A

REPAIR PARTS CHASSIS & HOOD



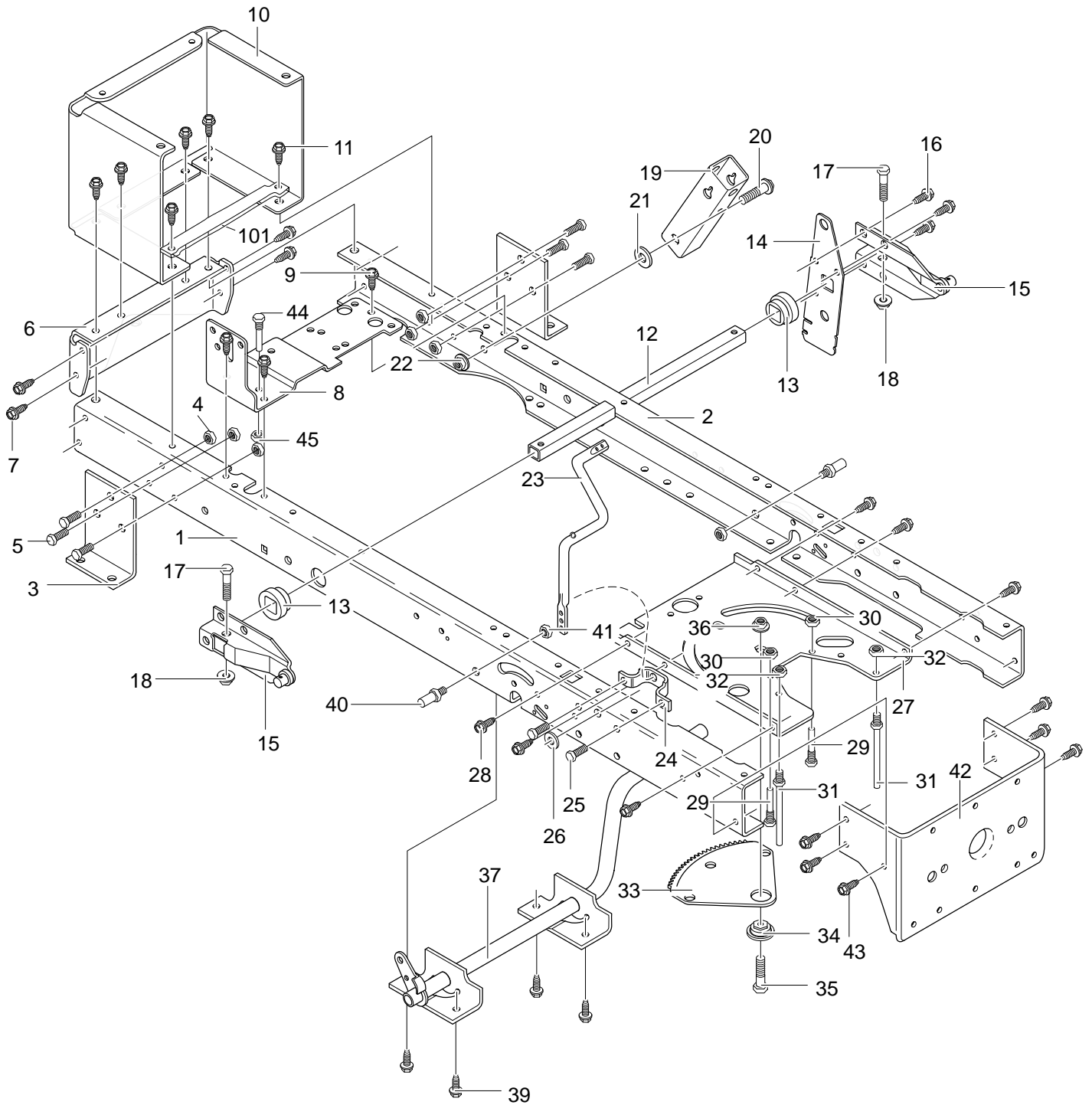
MODEL 385020x51A

REPAIR PARTS CHASSIS & HOOD

Key No.	Description	Part No.	Key No.	Description	Part No.
1	Seat	690566	25	Hood	690608F-860
2	Cap, Push On	028x23	26	Grille	94079-860
3	Spring	94057	27	Lens, Left	94081
4	Screw	26x229	28	Bezel	94807 Z
5	Bolt, Wing	711747	29	Lens, Right	94080
6	Washer	711644	31	Screw	26x270
7	Bolt, Shoulder	009x56	32	Screw	26x239
8	Support, Seat	94154-860	33	Bearing, Steering	94075
9	Rod, Pivot	94156 Z	34	Dash	94074-860
10	Bracket, Pivot	94153-860	35	Screw	26x270
11	Bolt	001x45	36	Panel, Access	93007-860
12	Nut	015x89	37	Support, Dash	95318F-860
13	Bolt, Shoulder	009x55	38	Bracket, Rear Hanger	94013
14	Washer	94155Z	39	Support, Left Grille	94083-860
15	Spring	164x31	40	Axle, Hanger	94007
16	Screw	26x249	41	Support, Right Grille	94082-853
17	Screw	26x263	42	Bolt, Shoulder	009x51
18	Spring	164x30	43	Frame, Right	95110
19	Deck, Seat	95249-860	44	Frame, Left	95111
20	Nut	015x88	45	Container, Battery	690424
21	Plate, Index	94829-853	46	Plate, Hitch	1001002
23	Mat, Left	94999	47	Panel, Rear	690434
24	Mat, Right	94998	—	Instruction Book & Parts List	F-010749J

MODEL 385020x51A

REPAIR PARTS FRAME ASSEMBLY

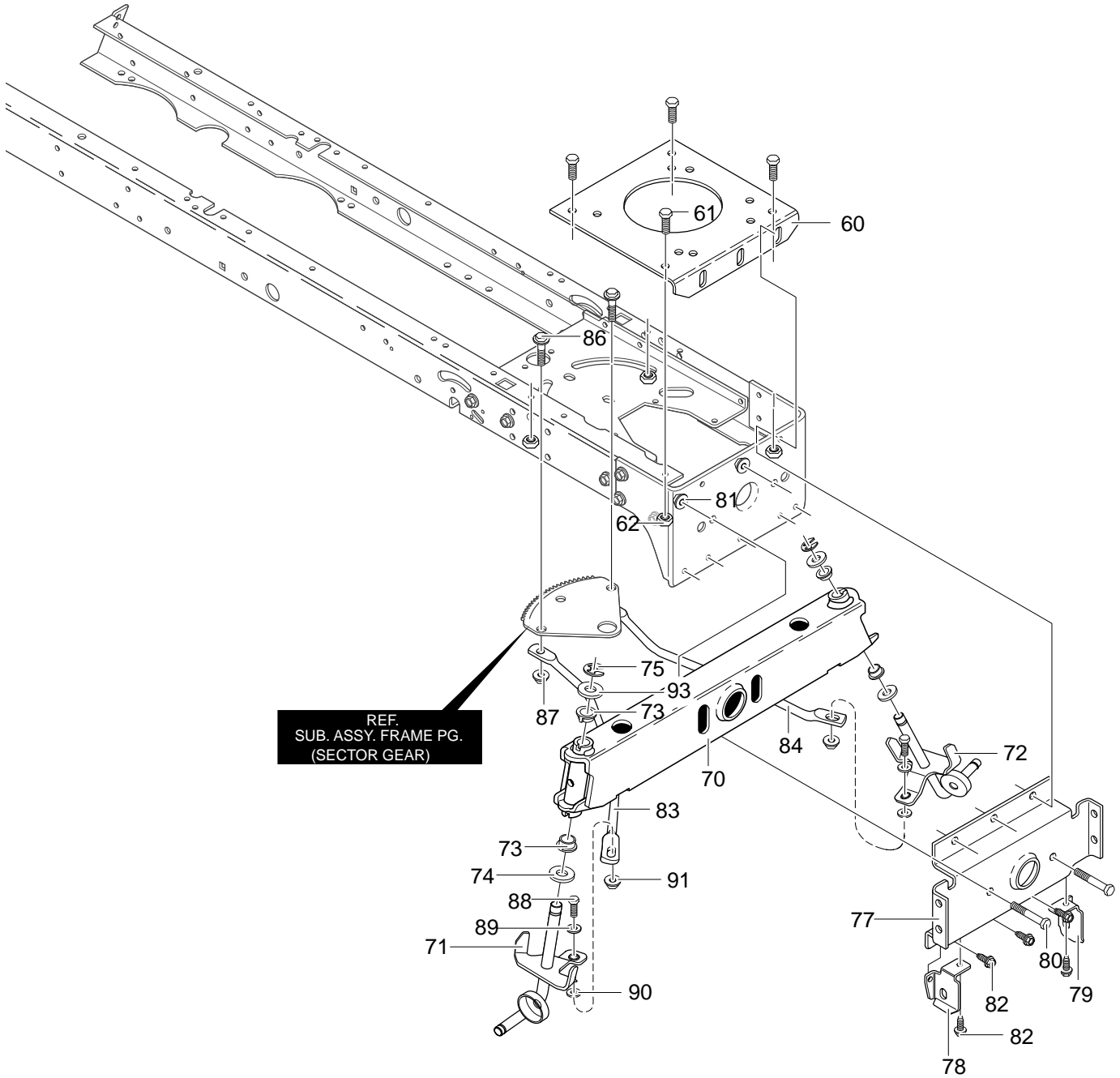


344294B

MODEL 385020x51A

REPAIR PARTS FRAME ASSEMBLY

Key No.	Description	Part No.	Key No.	Description	Part No.
1	Frame, Rail RH	95110	24	Bracket, Bell Crank	94005
2	Frame, Rail LH	95111	25	Screw, .312-18x.75	26x249
3	Bracket, Transaxle	94008	26	Flat washer	120395
4	Nut, .32-18 Flange Ctrlk	015x88	27	Steering Plate	1001121
5	Screw, .312-18x.75	26x249	28	Screw, .312-18x.75	26x249
6	Hitch Plate	1001002	29	Screw Guide 5/16-18	93349
7	Screw, .312-18x.75	26x249	30	Nut, .32-18 Flangelock	015x79
8	Bracket, Shift RH	690166	31	Screw Guide	94066
9	Screw, .312-18x.75	26x249	32	Nut, .32-18 Flangelock	015x79
10	Rear Panel	690434	33	Gear Sector	94121
11	Screw, .312-18x.75	26x249	34	Bearing, Sector Gear	94123
12	Lifter Tube	94063	35	Screw, .312-18x1.00	001x84
13	Bushing, Lift Arm	94065	36	Nut, 5/16 Hkeys	15x113
14	Plate, Lift Arm	94030	37	Asm. Brake Pedal	95075
15	Lever, Lift Arm	94180	39	Screw, .312-18x.75	26x249
16	Screw .31x.50	026x49	40	Pin, Threaded Shoulder	94067
17	Screw, .5/16-21x1.25	001x74	41	Nut, 3/8-16 Hwdfl Whiz	45171
18	Nut, .32-24 Flangelock	15x118	42	Bracket, Hanger Rear	94013
19	Pivot Bracket	94015	43	Screw, .312-18x.75	26x249
20	Bolt, 3/8 HSSH	009x53	44	Screw Guide 5/16-18	93349
21	Flat washer	17x191	45	Nut, .32-18 Flangelock	015x79
22	Nut, .38-16 Flange Ctrlk	015x84	93	Flat washer	17x195
23	PTO Crank	690394	101	Bracket, Battery Support	690482



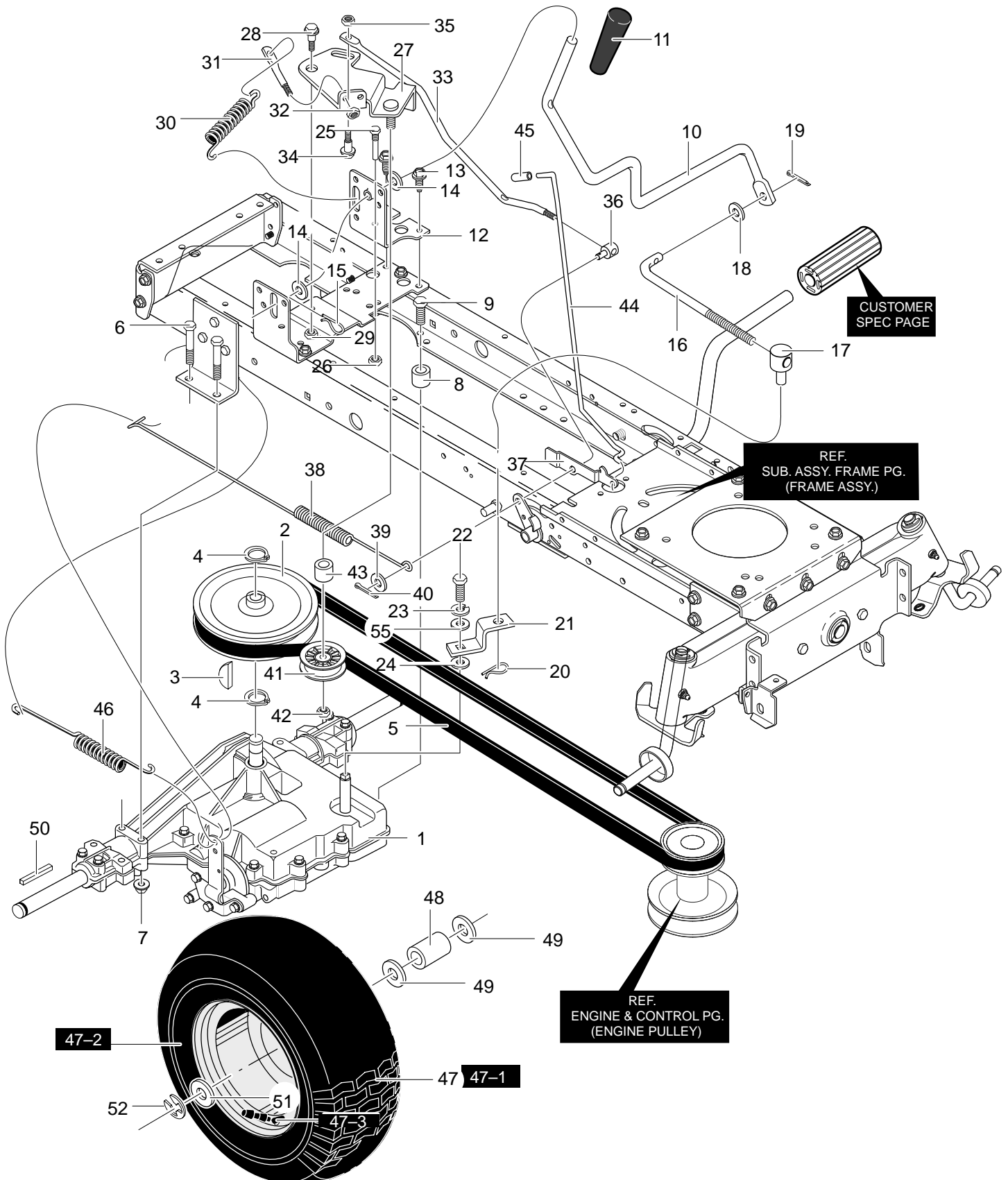
MODEL 385020x51A

REPAIR PARTS FRAME ASSEMBLY

Key No.	Description	Part No.	Key No.	Description	Part No.
60	Engine Plate	94006	80	Screw, 5/16-24X2.75	01x146
61	Screw, .312-18x.75	26x249	81	Nut, .32-24 Flangelock	15x118
62	Nut, 5/16-18	015x88	82	Screw, .5/16-24X2.75	26x249
70	Axle, Cast Machined	690210	83	Drag Link, RH	95328
71	Spindle, RH	94178	84	Drag Link, LH	95329
72	Spindle, LH	94179	86	Shoulder Bolt	009x57
73	Bearing, Spindle	690150	87	Nut, 3/8-16	015x84
74	Washer, .766IDx1.62ID	17x113	88	Screw, 3/8-16x1.50	01x111
75	E-Ring	0011x3	89	Flatwasher	17x104
77	Hanger, Axle	94007	90	Flatwasher	017x53
78	Hanger, Deck RH	94026	91	Nut, 3/8-16	015x84
79	Hanger, Deck LH	94027			

MODEL 385020x51A

REPAIR PARTS MOTION DRIVE



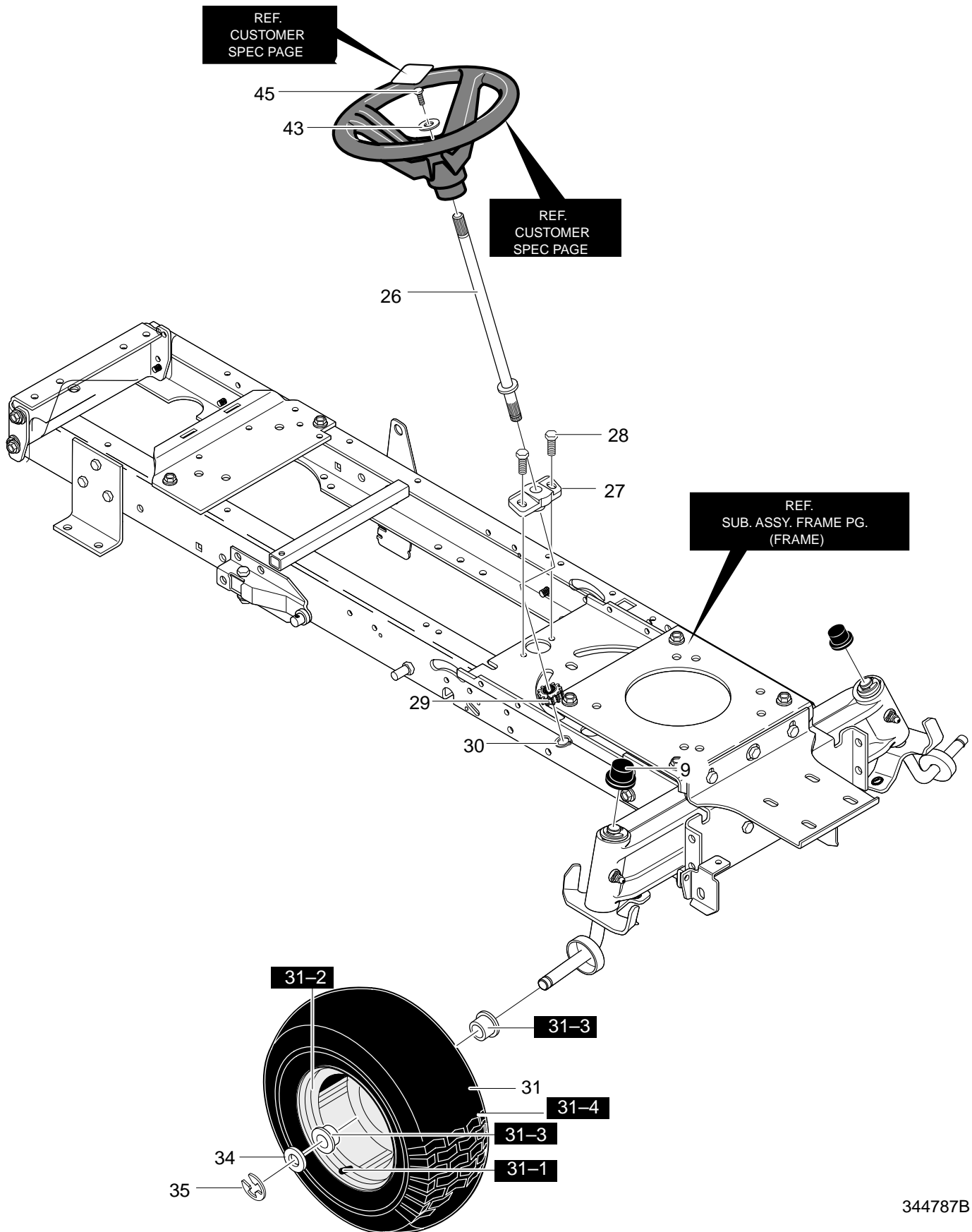
MODEL 385020x51A

REPAIR PARTS MOTION DRIVE

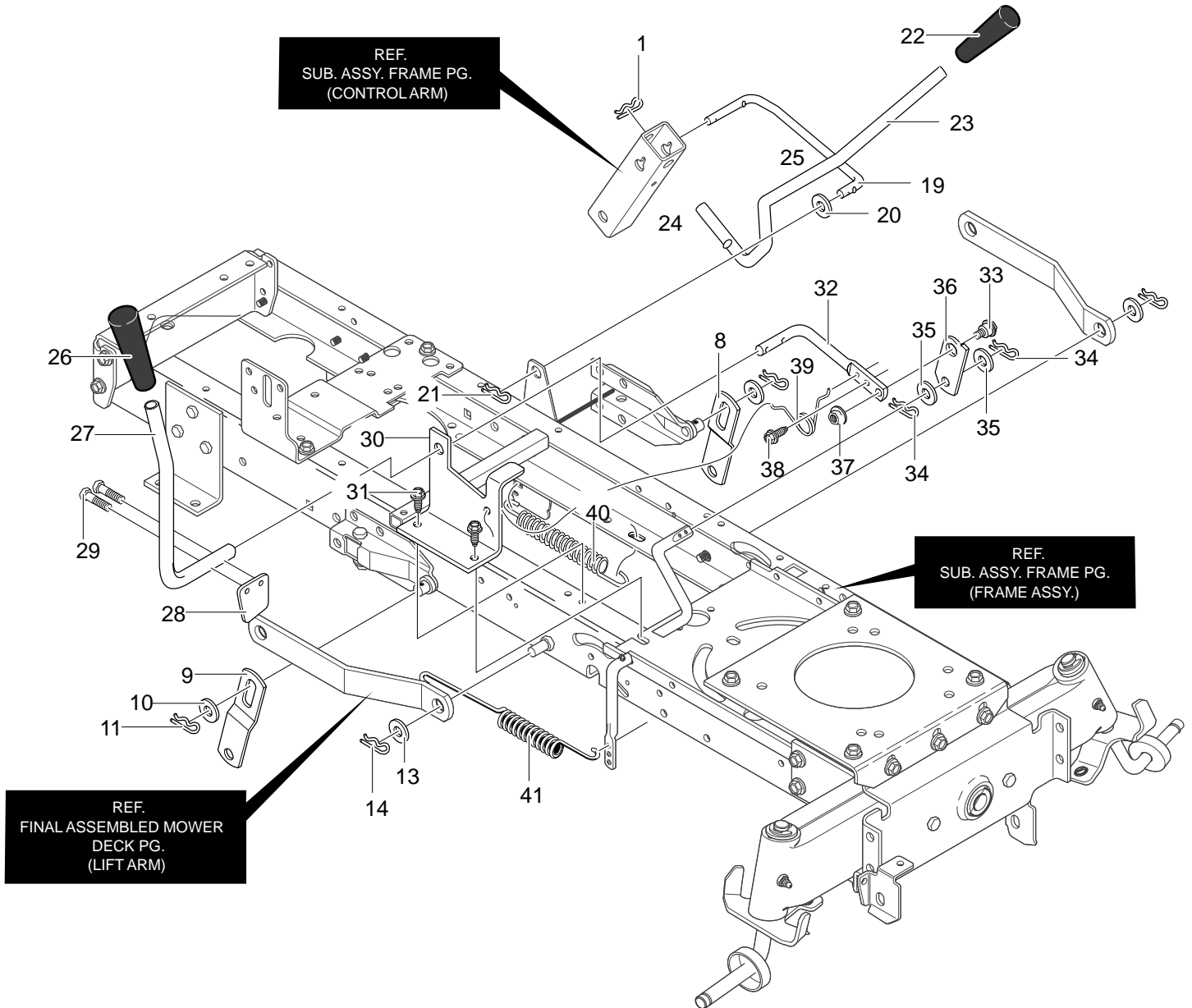
Key No.	Description	Part No.	Key No.	Description	Part No.
1	Transaxle, MST205	*	30	Spring, Extension	710334
2	Pulley	95094	31	Stud-Spring	95288
3	Woodruff Key #9	20697	32	Nut, 5/16-18 Hex	710026
4	Ring-Snap	0011x7	33	Rod, Clutch Switch	95287
5	Belt, V	710341	34	Bolt, HSH 1/4-20x.5	711646
6	Screw, 5/16-18x2.50	711669	35	Nut, 1/4-20	711643
7	Nut, 5/16-18	711634	36	Nut, Adjusting	711596
8	Spacer, Transaxle	94132	37	Latch, Park Brake	95290
9	Screw, 5.16-18x2.00	711605	38	Extension Spring	710333
10	Shifter Lever	690157	39	Flat washer	711623
11	Grip	92697	40	Cotter Pin	71081
12	Bracket, Shift Pivot	94034-853	41	Idler Pulley	690409
13	Screw, 5/16-18x.75	711606	42	Nut, 3/8-16	711920
14	Flat washer	711615	43	Spacer 1/2 to 17MM	690369
15	Hair Pin	711676	44	Park Brake Rod	690047
16	Link, Shift	95289	45	Grip	91079
17	Adjusting Nut	711591	46	Spring, Tension	710353
18	Flat washer	711623	47	Tire & Rim	692288
19	Cotter Pin	71081	47-1	Valve Stem	338512
20	Hair Pin	711682	47-2	Rim	338524
21	Yoke-Shift	95286	47-3	Tire	338548
22	Screw, 1/4-28x.75	01x145	48	Spacer .87x1.78	95274
23	Washer	710249	49	Flat washer	711648
24	Washer, .38 SQ	17x148	50	Square Key	21553
25	Screw Guide	711745	51	Flat washer	711758
26	Nut, 5/16-18 Hex	710026	52	E Ring	0011x3
27	Assembly, Idler Arm	690173-853	55	Flat washer	710657
28	Bolt, 3/8-16	711613	—	Hubcap	094618
29	Nut, 3/8-16	711622			

* Contact your nearest transaxle dealer for parts and service.

For information on Replacement Parts see the Central Parts Distributor in your area.



Key No.	Description	Part No.
9	Dust Hub Cap	094618
26	Shaft, Steering	94520
27	Bearing—Lower	94124
28	Screw, 5/16—18x.75	711606
29	Gear, Pinion	94122
30	Retaining Ring	710102
31	Tire & Rim	692287
31-1	Valve Stem	338512
31-2	Rim	338517
31-3	Bearing	338513
31-4	Tire	338514
34	Flatwasher	711758
35	E—Ring	0011X3
43	Flat washer	711663
45	Screw 1/4—20x.75	711719
—	Hub Cap	094618



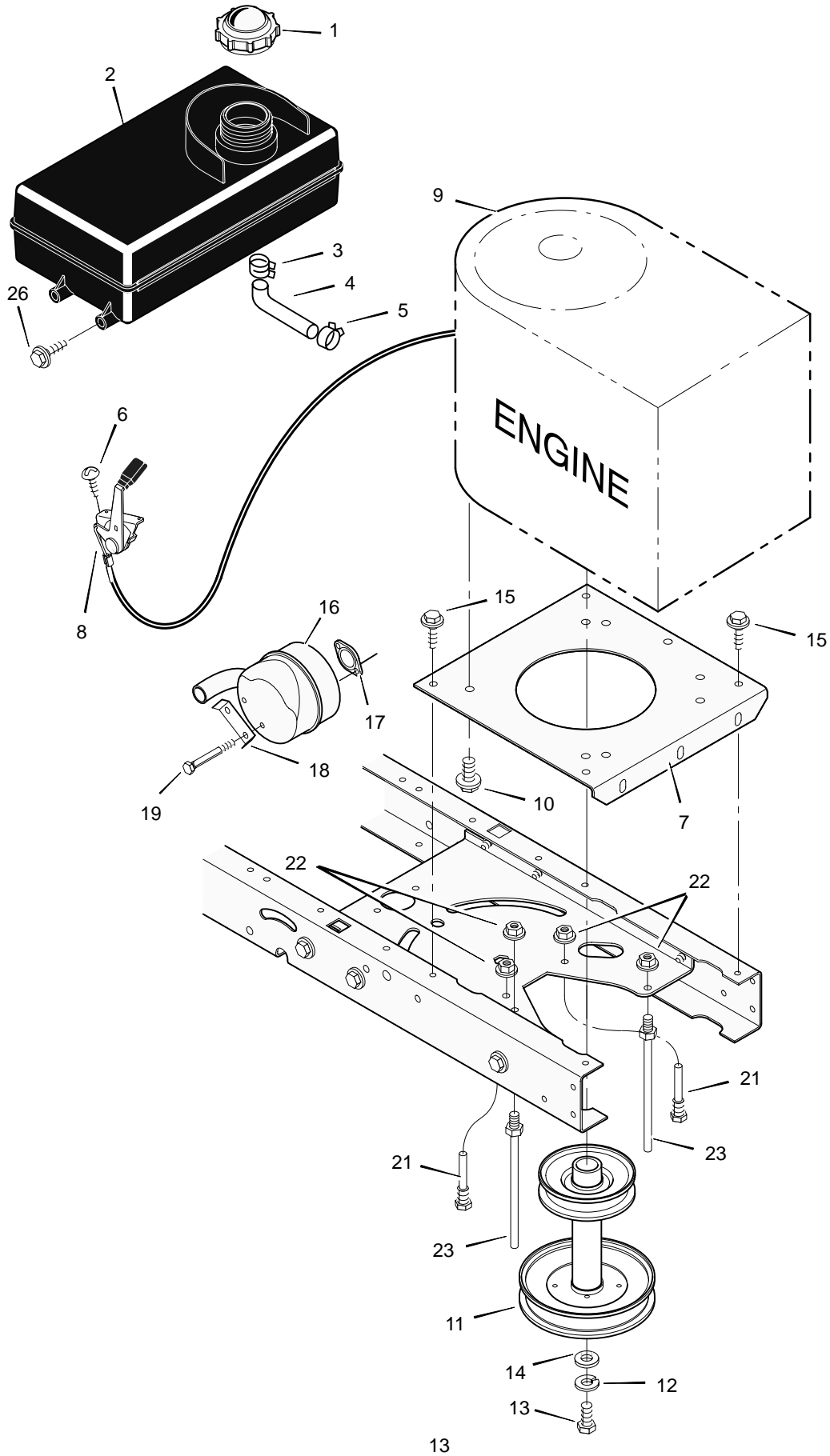
MODEL 385020x51A

REPAIR PARTS MOWER SUSPENSION ASSEMBLY

Key No.	Description	Part No.	Key No.	Description	Part No.
1	Hair Pin	711676	27	PTO Handle	712034
8	Link, Lift LH	94611-853	28	Paddle Switch	95284
9	Link, Lift RH	94053-853	29	Screw, Thd Form	711621
10	Flat washer	711617	30	Bracket, PTO	94018-853
11	Hair Pin	711676	31	Screw, 5/16-18x.50	26x277
13	Flat washer	711617	32	Lever, PTO	95283
14	Hair Pin	711676	33	Bolt, Shoulder 3/8-16	711613
19	Link, Lift Handle	95285	34	Hair Pin	711659
20	Flat washer	711617	35	Washer, Flat	711615
21	Hair Pin	711676	36	Link PTO	95282
22	Grip	92697	37	Nut, 3/8-16	711622
23	Handle, Lift	690532	38	Screw, 5/16-18x.75	711606
24	Washer, Flat	711616	39	Torsion Spring	710141
25	Torsion Spring	710111	40	Spacer	165x117
26	Grip	92698	41	Spring, Extension	165x118

MODEL 385020x51A

REPAIR PARTS ENGINE MOUNT



MODEL 385020x51A

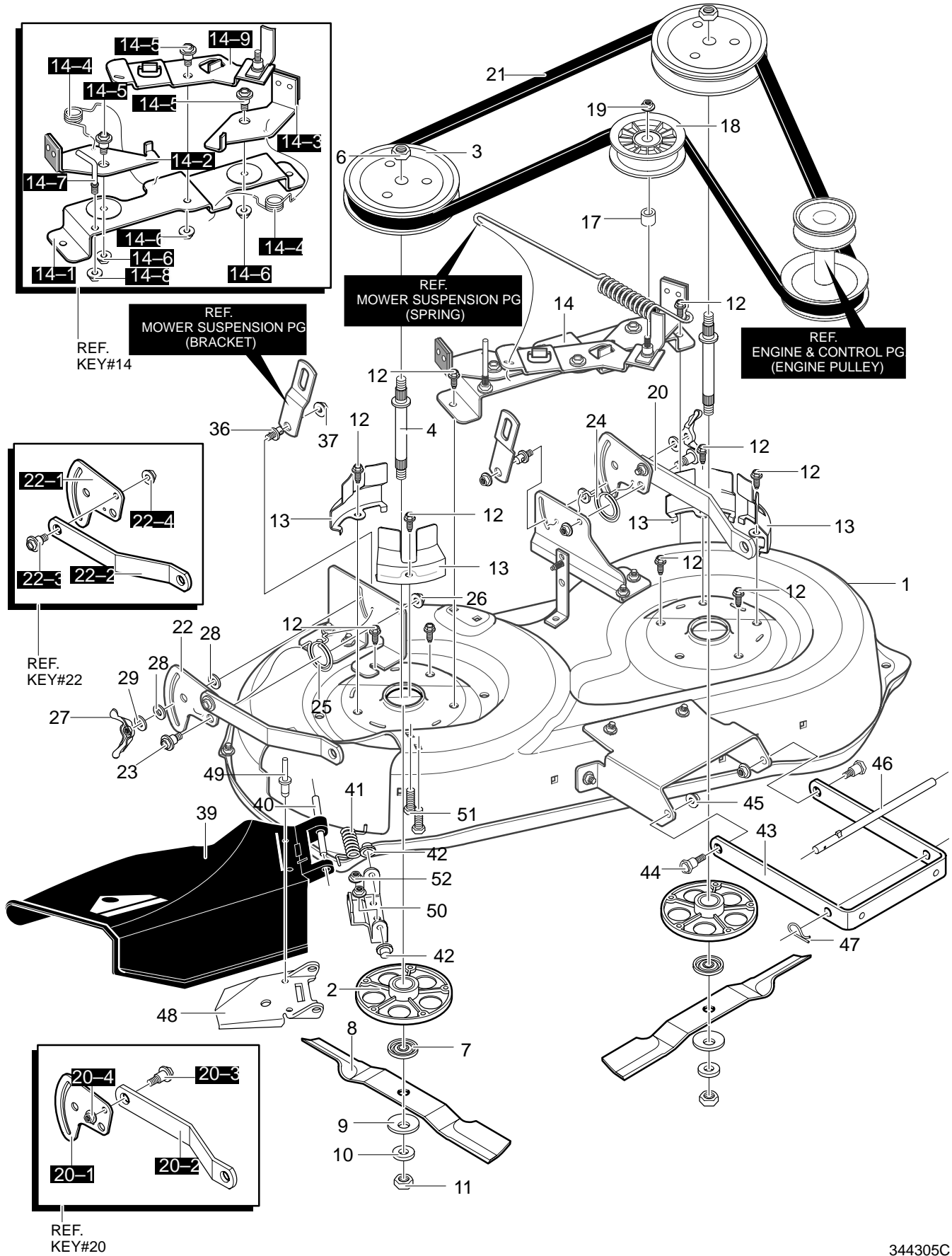
REPAIR PARTS ENGINE MOUNT

Key No.	Description	Part No.
1	Fuel Cap	92317
2	Fuel Tank	94073
3	Hose Clamp	95197
4	Fuel Line	23717
5	Hose Clamp	95197
6	Screw	26x201
7	Plate, Engine	94006E700
8	Throttle Control	94361
9	Engine*	_____
10	Bolt, Engine Mount	25x7
11	Stack Pulley Assembly	690448
12	Lockwasher	19x35
13	Bolt, Hex	1x140
14	Washer	17x170
15	Screw	26x249
16	Muffler	94120
17	Gasket	91309
18	Lock, Screw	92378
19	Bolt	1x134
21	Guide, Belt	93349
22	Nut, Flange	15x79Z
23	Guide, Belt	94066
26	Screw	26x253

* Parts are available from an Authorized Service Center. See "Engines, Gasoline" or "Gasoline Engines" in the yellow pages of the telephone directory.

MODEL 385020x51A

REPAIR PARTS DECK ASSEMBLY



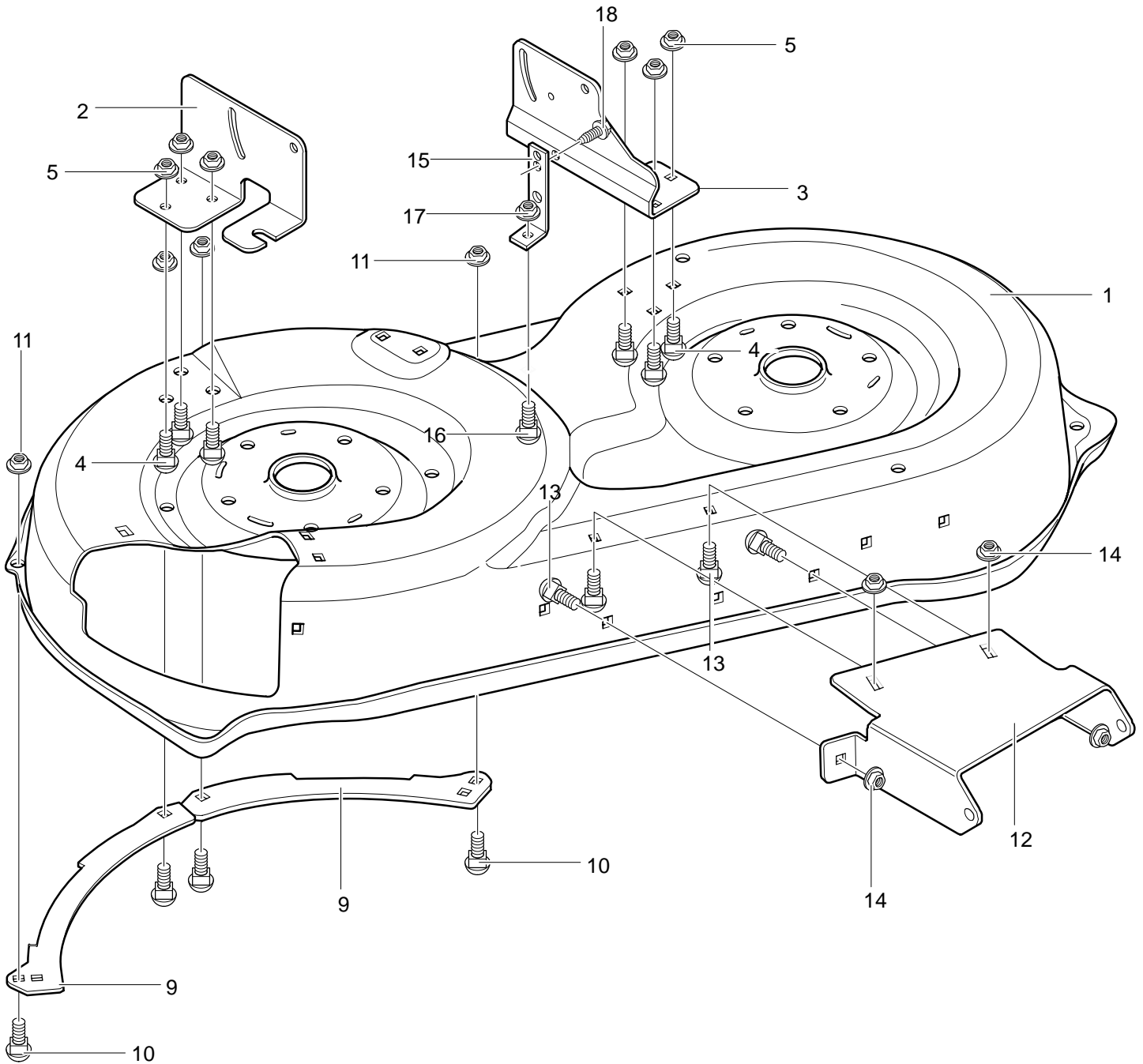
MODEL 385020x51A

REPAIR PARTS DECK ASSEMBLY

Key No.	Description	Part No.	Key No.	Description	Part No.
1	Mower Deck Assembly	94061-853	21	Belt, Barback CI 84.24	710193
2	Jackshaft Assembly	690222	22	Assy, Plate,Rear Sus Bkt RH	690158-853
3	Pulley, Quill	690174	22-1	Plate-Suspension	94128
4	Jackshaft	94129	22-2	Suspension Bracket Rear	94055
6	Nut, 9/16-18	15x121	22-3	Bolt, Shoulder	009x52
7	Adapter, Deck/Blade	1001035	22-4	Nut, 3/8-16	015x84
8	Blade, 38 inches	94913	23	Bolt, Shoulder	711611
9	Washer	17x166	24	Spring, Torsion LH	710113
10	Washer	17x165	25	Spring, Torsion RH	710112
11	Nut, .56-18 Regular	15x100	26	Nut, 3/8-16	711622
12	Engine Bolt 3/8x1.25	0025x7	27	Wingnut, 5/16-18	711600
13	Cover, Segment Belt Guide	94051-853	28	Pad, Friction	94137
14	Asm. Brake with Support	94691-853	29	Washer	711628
14-1	Bracket, Brake Mtg	94059	36	Pin, Hanger	711595
14-2	Assy, Brake RH	94047	37	Nut, 3/8-16	711622
14-3	Assy, Brake LH	94049	39	Deflector Chute	94687
14-4	Torsion Spring	710227	40	Asm., Bracket Idler	95303
14-5	Bolt, Shoulder 3/8-16	710098	41	Spring, Torsion	710194
14-6	Nut, 3/8-16 Mack	015x84	42	Nut, Push Cap	711627
14-7	Screw-Guide	94781	43	Bracket, Frt Suspension	94058-853
14-8	Nut, 5/16-18 Hex	015x79	44	Shoulder Bolt	711611
14-9	Assy., Idler Arm	94177	45	Nut, 3/8-16	711622
17	Spacer, 1/2 to 17MM	690369	46	Rod, Hanger	95295
18	Idler Pulley	690451	47	Hair Pin	711676
19	Nut, 3/8-16	711920	48	Deflector Support	94686-853
20	Asm., Plate Rear Sus. Brkt LH	690159-853	49	Rivet- Semi	711624
20-1	Plate-Suspension	94128	50	Bracket, Chute Attach	94956-853
20-2	Suspension Bracket Rear	94055	51	Carr. Bolt, 5/16-18x.63	711661
20-3	Bolt, Shoulder	009x52	52	Nut, 5/16-18	711634
20-4	Nut, 3/8-16	015x84			

MODEL 385020x51A

REPAIR PARTS DECK ASSEMBLY



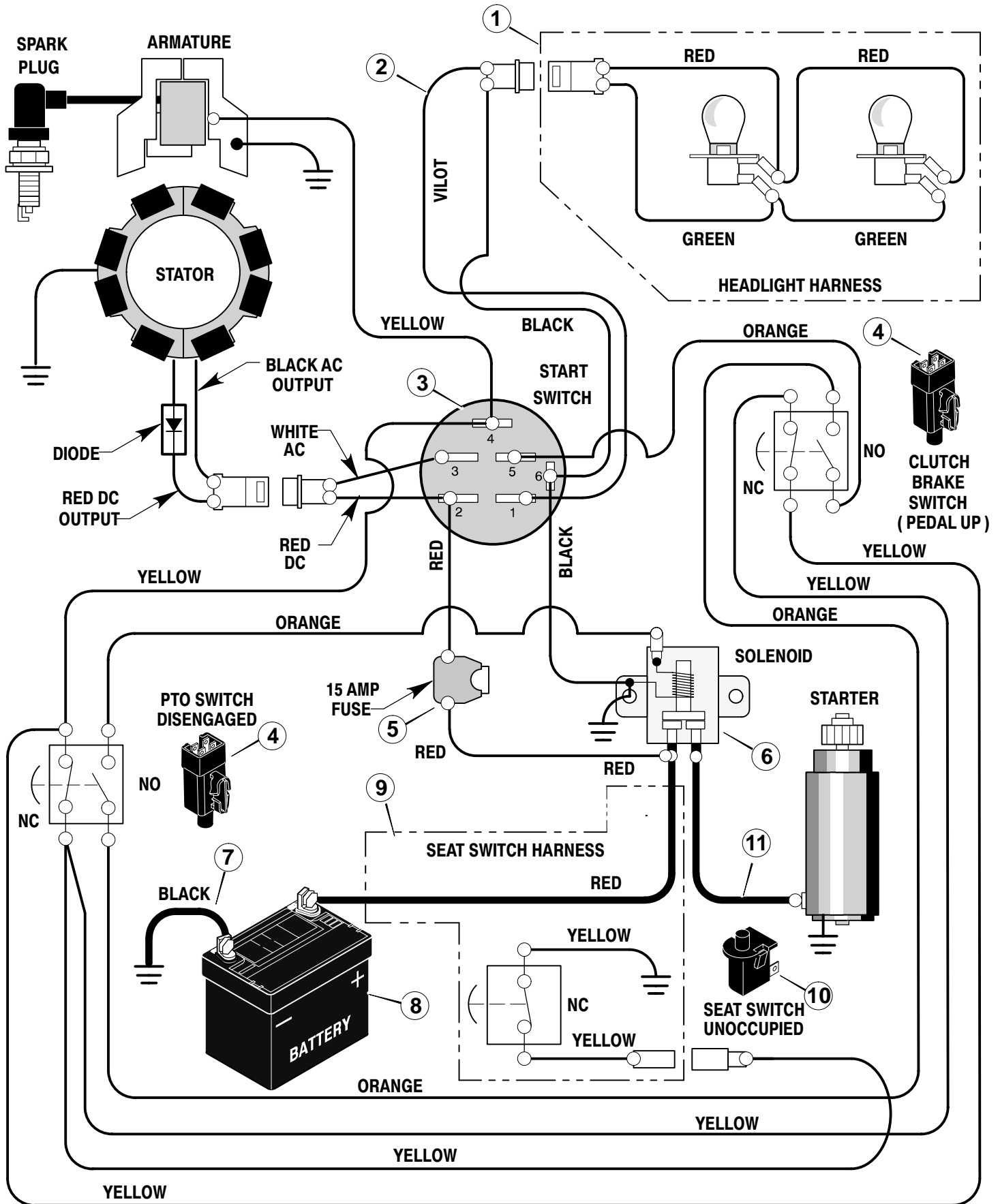
MODEL 385020x51A

REPAIR PARTS DECK ASSEMBLY

Key No.	Description	Part No.	Key No.	Description	Part No.
1	38" Mower Housing	94060	12	Bracket, Front Deck	94062
2	Bracket, Deck Lift RH	94052	13	Bolt, .31-18x.062	002x53
3	Bracket, Deck Lift LH	94054	14	Nut, .32-18 Flangelock	015x79
4	Bolt, .31-18x.62	002x53	15	Bracket, Support	94681
5	Nut, .32-18 Flangelock	015x79	16	Bolt, .31-18x.62	002x53
9	Toeguard, Flange	91770	17	Nut, .32-18 Flangelock	015x79
10	Bolt, .31-18x.62	002x53	18	Screw, .312-18x.75	26x249
11	Nut, .32-18 Flange Centerlock	015x88			

MODEL 385020x51A

REPAIR PARTS ELECTRICAL SYSTEM



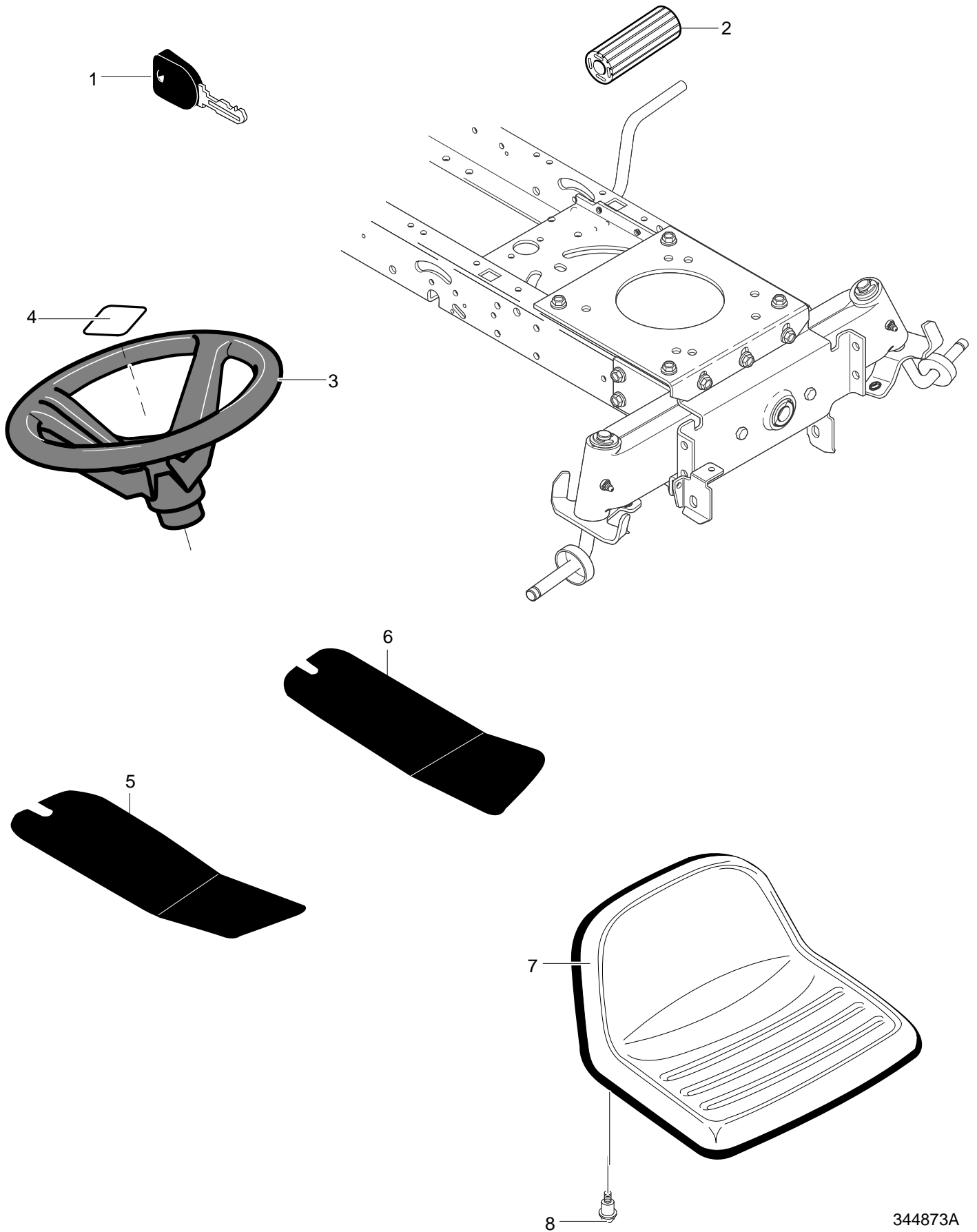
MODEL 385020x51A

REPAIR PARTS ELECTRICAL SYSTEM

Key No.	Description	Part No.
1	Harness, Light Wire	250x68
	Socket, Light	92372
	Bulb, Light	90084
2	Harness, Chassis Wire	250x86
3	Switch, Ignition	92377
	Key, Ignition	20729
	Nut, Hex	91489
	Cap, Ignition	91488
4	Switch, Limit	94136
5	Fuse	54212
	Holder, Fuse	407078
6	Solenoid	94613
	Screw, Mounting	26x229
	Locknut	15x116
7	Cable, Battery Ground	24x32
	Screw, Ground Cable	26x213
8	Battery	21075
	Bolt, Carriage	2x82
	Wingnut	14x79
9	Harness, Seat Switch Wire	340530
10	Switch, Seat Sensor	94159
11	Cable	711579

MODEL 385020x51A

REPAIR PARTS CUSTOMER SPEC



Key No.	Description	Part No.
1	Ignition Key	20729
2	Cover, Pedal Brake/Clutch	21544
3	Steering Wheel	95336
4	Insert, 4-Spoke	95338
5	Footrest Pad RH	94998
6	Footrest Pad LH	94999
7	Seat	690566
8	Shoulder Bolt 5/16-18	711740