

Supercessions	Ref #	Part #	<input checked="" type="checkbox"/> Description	<input checked="" type="checkbox"/> Qty	<input checked="" type="checkbox"/> Context Note	<input checked="" type="checkbox"/> Foot Note	<input checked="" type="checkbox"/> UOM
	1	690566MA Add to pick list	Seat				
	2	028X23MA Add to pick list	Cap, Push On				
	3	094057MA Add to pick list	Spring				
	4	26X229MA Add to pick list	Screw				
	5	1001054MA Add to pick list	Bolt, Wing				
	6	017X47MA Add to pick list	Washer				
	7	009X56MA Add to pick list	Bolt, Shoulder				
	8	094154E701MA Add to pick list	Support, Seat				
	9	094156 Z Add to pick list	Rod, Pivot				
	10	1001648E701MA Add to pick list	Bracket, Pivot				
	11	001X45MA Add to pick list	Bolt				
	12	015X89MA Add to pick list	Nut				
	13	009X55MA Add to pick list	Bolt, Shoulder				
	14	094155 Z Add to pick list	Washer				
	15	164X31 Add to pick list	Spring				
	16	26X249MA Add to pick list	Screw				
	17	26X263MA Add to pick list	Screw				
	18	164X30MA Add to pick list	Spring				
	19	1001987E700 Add to pick list	Deck, Seat				
	20	15X123MA Add to pick list	Nut				
	21	094829E700 Add to pick list	Plate, Index Detent				
	23	094999MA Add to pick list	Mat, Left				
	24	094998MA Add to pick list	Mat, Right				
	25	1001538E700MA Add to pick list	Hood				
	26	1001531E700MA Add to pick list	Grille				
	27	1001546MA Add to pick list	Lens, Left				

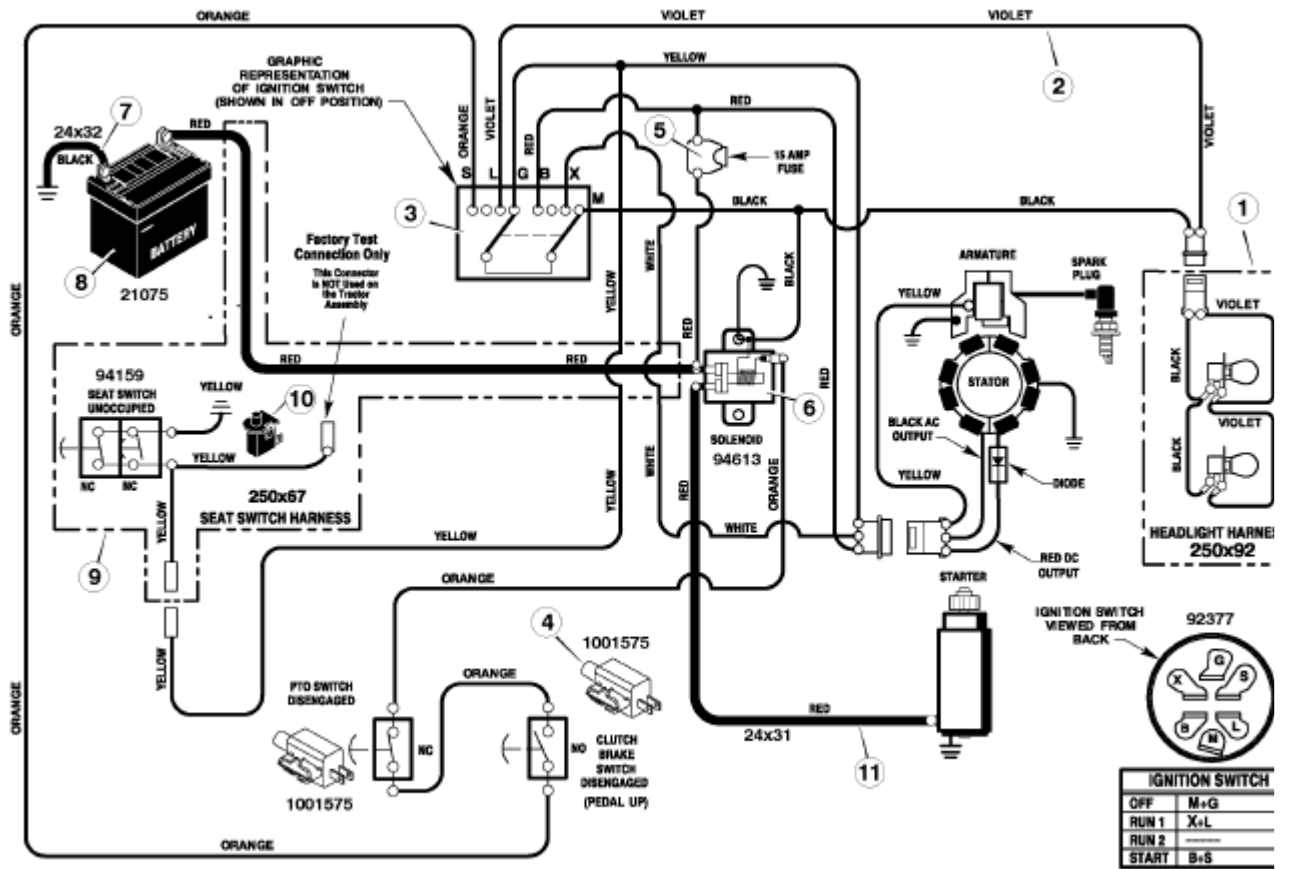
	28	1001544E700 Add to pick list	Housing, Left Headlamp				
	29	1001545MA Add to pick list	Lens, Right				
	30	1001543E700 Add to pick list	Housing, Right Headlamp				
	31	26X270 Add to pick list	Screw				
	32	26X238MA Add to pick list	Screw				
	33	1001491MA Add to pick list	Bearing, Steering				
↷	34	1001584E701MA Add to pick list	Dash				
	35	26X201MA Add to pick list	Screw				
	36	093007E701MA Add to pick list	Panel, Access				
	37	095318E701MA Add to pick list	Support, Dash				
↷	38	1001270E701MA Add to pick list	Bracket, Rear Hanger				
↷	40	094007E701MA Add to pick list	Axle, Hanger				
	42	009X58MA Add to pick list	Bolt				
↷	43	1001928E701MA Add to pick list	Frame, Right				
	44	1001927E701 Add to pick list	Frame, Left				
↷	45	690424MA Add to pick list	Container, Battery				
	46	1001002E701 Add to pick list	Plate, Hitch				
↷	47	690434E701MA Add to pick list	Panel, Rear				
	48	1001619E701MA Add to pick list	Shield, Heat				
	49	26X277MA Add to pick list	Screw				
	50	015X81MA Add to pick list	Nut				
	51	15X124 Add to pick list	Nut				
	52	690482E701 Add to pick list	Support, Battery				
	53	1001540MA Add to pick list	Insert, Grille				
	57	1001652MA Add to pick list	Trim, Hood (3.75")				
	58	1001653MA Add to pick list	Trim, Hood (6.5")				
	59	1001755MA Add to pick list	Grommet, Parking Brake				
	70	1001542MA Add to pick list	Holder, Cup				

-- 1002050MA
Add to pick list

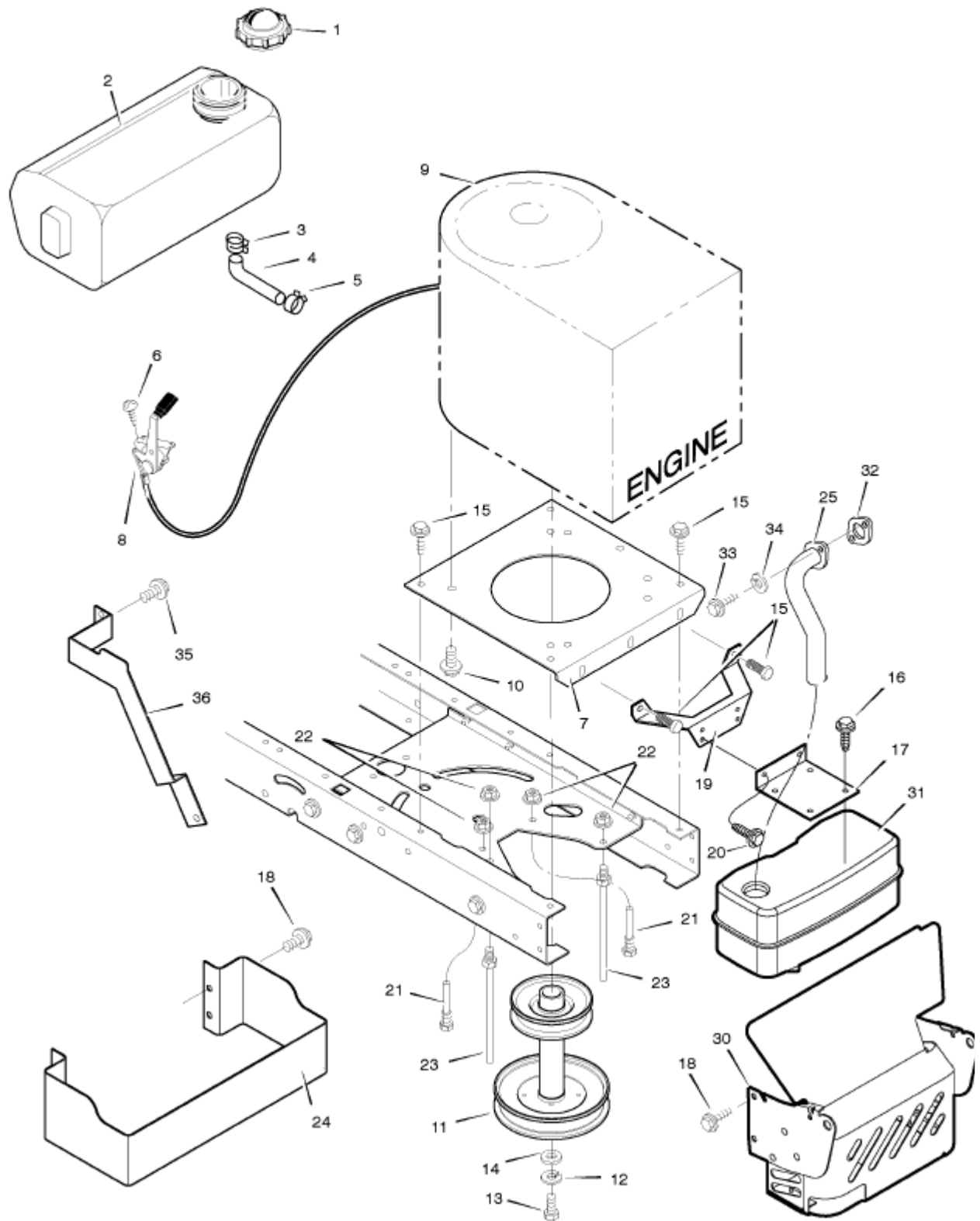
PARTS BAG,
Assembly

-- F-050721L
Add to pick list


Instruction Book &
Parts List

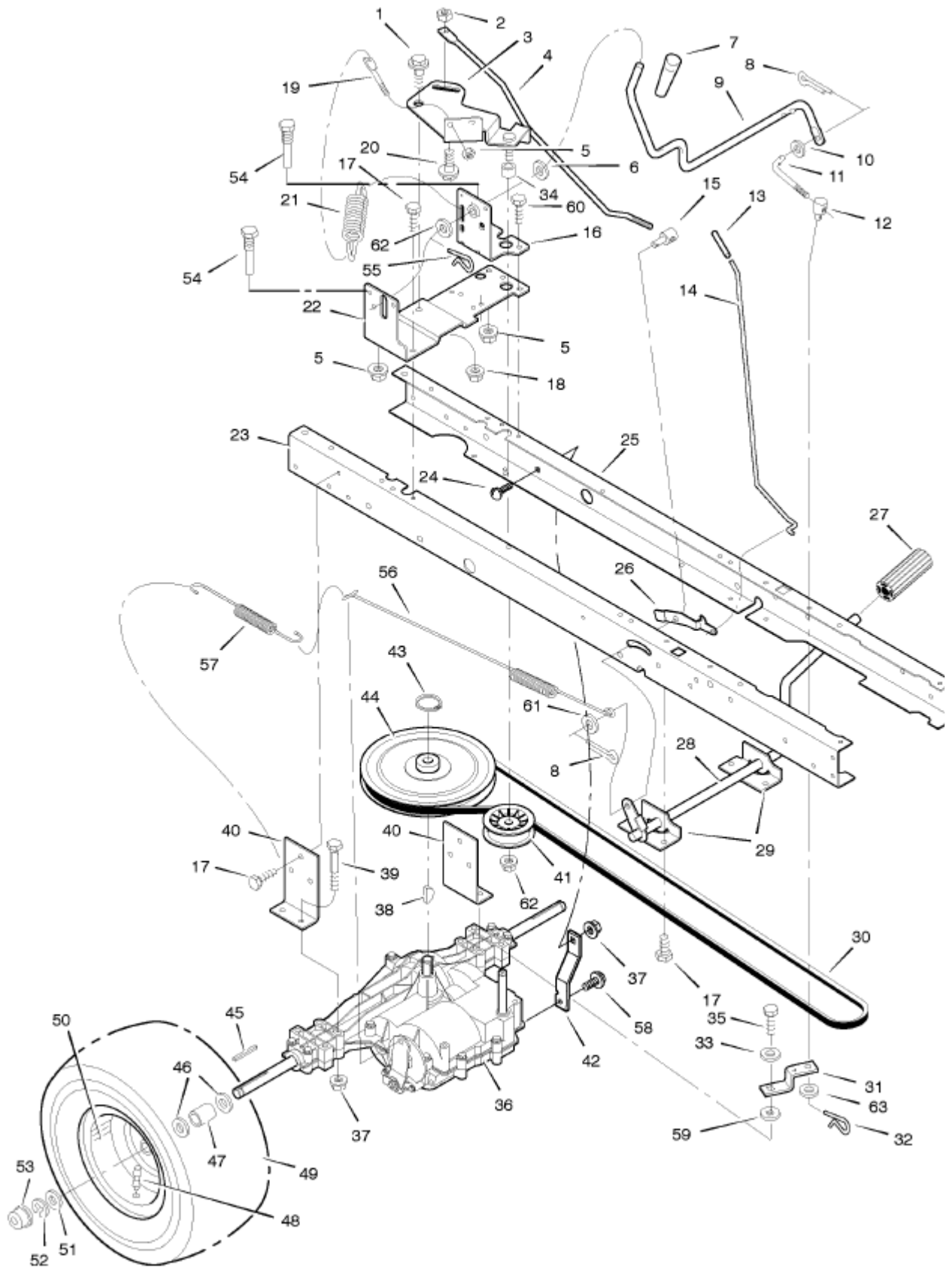


Supercessions	Ref #	Part #	Description	Qty	Context Note	Foot Note	UOM
	1	250X92MA Add to pick list	Harness, Light Wire				
	--	1001716MA Add to pick list	Socket, Light				
	--	090084MA Add to pick list	Bulb, Light				
	2	250X113 Add to pick list	Harness, Chassis Wire				
	3	092377MA Add to pick list	Switch, Ignition				
	--	020729 Add to pick list	Key, Ignition				
	--	091489MA Add to pick list	Nut, Hex				
	--	091488 Add to pick list	Cap, Ignition				
	4	1001575MA Add to pick list	Switch, Limit				
	5	302031MA Add to pick list	Fuse				
	--	407078MA Add to pick list	Holder, Fuse				
	6	1002004MA Add to pick list	Solenoid				
	--	26X229MA Add to pick list	Screw, Mounting				
	--	15X116MA Add to pick list	Locknut				
	7	024X32MA Add to pick list	Cable, Battery Ground				
	--	26X229MA Add to pick list	Screw, Ground Cable				
	8	021075 Add to pick list	Battery				
	--	002X82MA Add to pick list	Bolt, Carriage				
	--	014X79MA Add to pick list	Wingnut				
	--	690604MA Add to pick list	BOOT, Battery Terminal, Positive				
	9	250X67MA Add to pick list	Harness, Seat Switch Wire				
	10	094159MA Add to pick list	Switch, Seat Sensor				
	11	024X31MA Add to pick list	Cable				



Supercessions	Ref #	Part #	<input checked="" type="checkbox"/>	<input checked="" type="checkbox"/>	<input checked="" type="checkbox"/>	<input checked="" type="checkbox"/>	<input checked="" type="checkbox"/>
			Description	Qty	Context Note	Foot Note	UOM
↷	1	092317MA Add to pick list	Fuel Cap		(Included with Ref. No. 2)		
↷	2	7601092MA Add to pick list	TANK, Fuel 1.4 Gal.				
	3	095197MA Add to pick list	Hose Clamp		(Included with Ref. No. 2)		
	4	7601033MA Add to pick list	Fuel Line (Must cut to length)		(Included with Ref. No. 2)		
	5	095197MA Add to pick list	Hose Clamp		(Included with Ref. No. 2)		
	6	26X201MA Add to pick list	Screw				
	7	094006E701MA Add to pick list	Plate, Engine				
	8	092371MA Add to pick list	Throttle Control				
	9	----- Add to pick list	Engine, Briggs & Stratton *			Note* For information on Replacement Parts for this engine contact the manufacturer.	
	10	0025X7MA Add to pick list	Bolt, Engine Mount				
↷	11	690439MA Add to pick list	STACK PULLEY ASSEMBLY				
	12	019X35MA Add to pick list	Lockwasher				
	13	01X140MA Add to pick list	Bolt, Hex				
	14	17X170MA Add to pick list	Washer				
	15	26X249MA Add to pick list	Screw				
	16	26X229MA Add to pick list	Screw				
	17	690538E701MA Add to pick list	Bracket, Muffler				
	18	26X277MA Add to pick list	Screw				
↷	19	690537E701MA Add to pick list	Bracket, Muffler Mount				
	20	026X263 Add to pick list	Screw				
	21	094384MA Add to pick list	Guide, Belt				
	22	015X79 Z Add to pick list	Nut, Flange				
	23	094066MA Add to pick list	Guide, Belt				
↷	24	1001620E701MA Add to pick list	GUARD, Heat Shield				

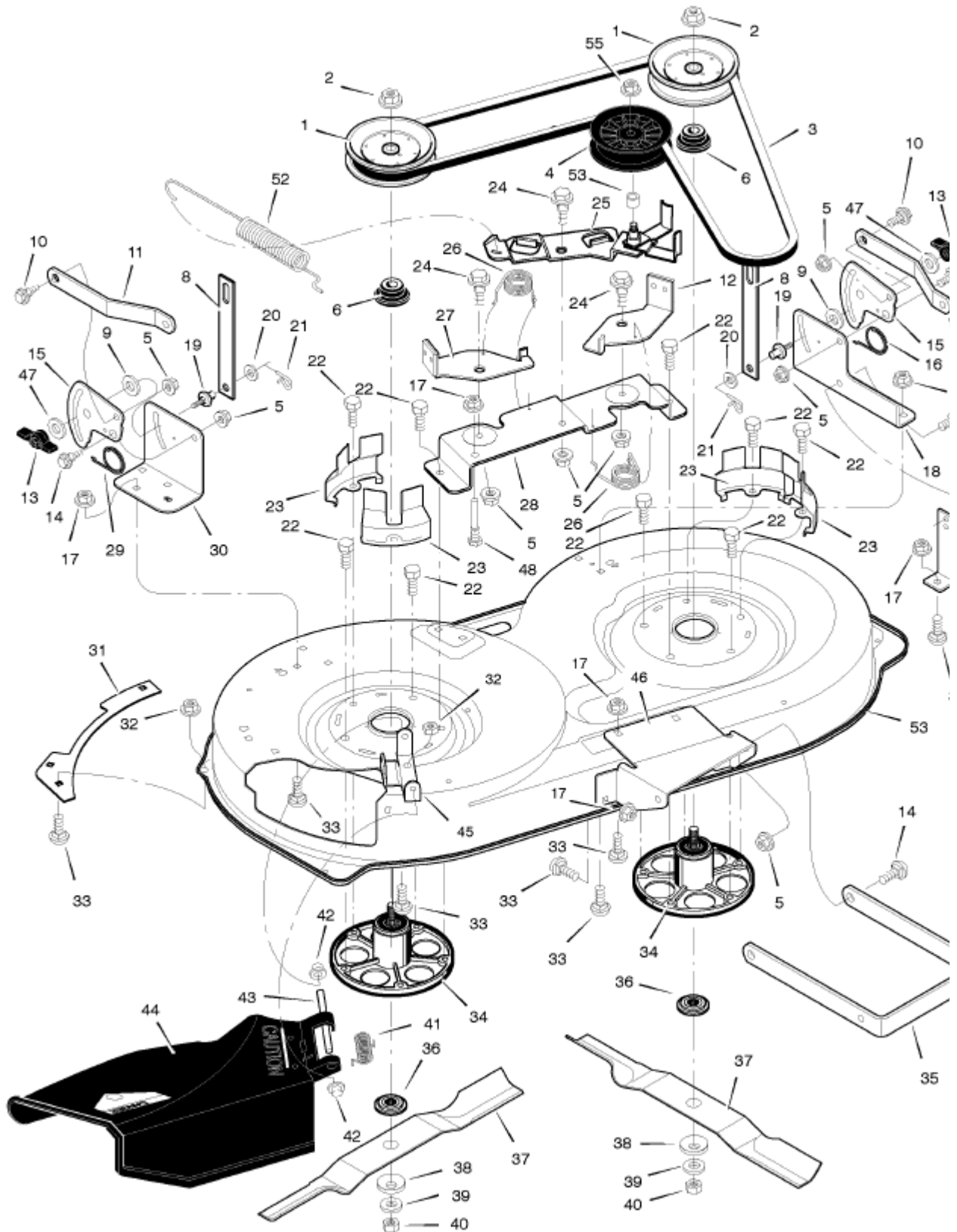
	25	1001747MA Add to pick list	Exhaust Tube, Single				
	30	1001619E701MA Add to pick list	Shield, Heat				
	31	094654MA Add to pick list	Muffler				
	32	692236 Add to pick list	Gasket				
	33	06X103MA Add to pick list	Screw				
	34	018X15MA Add to pick list	Washer				
	35	06X104MA Add to pick list	Bolt, Washer Hex Head				
	36	1001880MA Add to pick list	Guard, Exhaust Pipe				



Supercessions	Ref #	Part #	<input checked="" type="checkbox"/>	<input checked="" type="checkbox"/>	<input checked="" type="checkbox"/>	<input checked="" type="checkbox"/>	<input checked="" type="checkbox"/>	
			Description	Qty	Context	Note	Foot Note	UOM
	1	009X39MA Add to pick list	Bolt, Shoulder					
	2	015X89MA Add to pick list	Nut, Hex					
	3	690173ZMA Add to pick list	ARM, Idler					
	4	094041 Z Add to pick list	Rod, Clutch					
	5	015X79MA Add to pick list	Nut					
	6	17X102MA Add to pick list	Washer					
	7	092697MA Add to pick list	Grip					
	8	030X20MA Add to pick list	Pin, Cotter					
	9	094043 Z Add to pick list	Lever, Shift					
	10	017X47MA Add to pick list	Washer					
	11	094044 Z Add to pick list	Link, Shift					
	12	021920ZMA Add to pick list	Nut, Adjuster					
	13	091079MA Add to pick list	Grip					
	14	1001245 Z Add to pick list	Rod, Parking Brake					
	15	094815 Z Add to pick list	Nut, Adjuster					
	16	1001303 Z Add to pick list	Bracket, Shift Pivot					
	17	26X249MA Add to pick list	Screw					
	18	015X84MA Add to pick list	Nut					
	19	094042 Z Add to pick list	Mount, Stud Spring					
	20	009X54MA Add to pick list	Bolt, Shoulder					
	21	165X116MA Add to pick list	Spring, Extension					
	22	1001978E701 Add to pick list	Bracket, Right Shifter					
	23	1001928E701MA Add to pick list	Frame, Right					
	24	002X53MA Add to pick list	Bolt, Carriage					
	25	1001927E701 Add to pick list	Frame, Left					
	26	094045 Z Add to pick list	Latch, Parking Brake					

	27	021544MA Add to pick list	Pedal				
	28	094038E701MA Add to pick list	Lever, Brake/Clutch				
	29	1001117E701 Add to pick list	Bracket, Pedal				
	30	037X87MA Add to pick list	Belt, Motion Drive				
	31	094031ZMA Add to pick list	Yoke, Shift				
	32	0031X6MA Add to pick list	Pin, Hair				
	33	017X38MA Add to pick list	Washer				
	34	690369MA Add to pick list	Spacer				
	35	06X105MA Add to pick list	Bolt				
	36	----- Add to pick list	Transaxle **			Note** For information on Replacement Parts for this transaxle contact the manufacturer.	
	37	015X88MA Add to pick list	Nut				
	38	020697MA Add to pick list	Key, Woodruff				
	39	01X155MA Add to pick list	Bolt				
	40	094008E701MA Add to pick list	Bracket, Transaxle				
	41	690409MA Add to pick list	Pulley				
	42	094433E701MA Add to pick list	BRACKET, Torque Strap, LH				
	43	0011X7MA Add to pick list	Ring Retainer				
	44	095094MA Add to pick list	Pulley, Drive				
	45	021553MA Add to pick list	Key, Square				
	46	17X160MA Add to pick list	Washer				
	47	1401103MA Add to pick list	SPACER, Rear Wheel				
	48	024373MA Add to pick list	Stem, Valve				
	49	091923MA Add to pick list	Tire *			Note* When you order a tire, make sure to give the brand name of the tire so that the tread pattern on the tire will match.	
	--	407049MA	Tube				

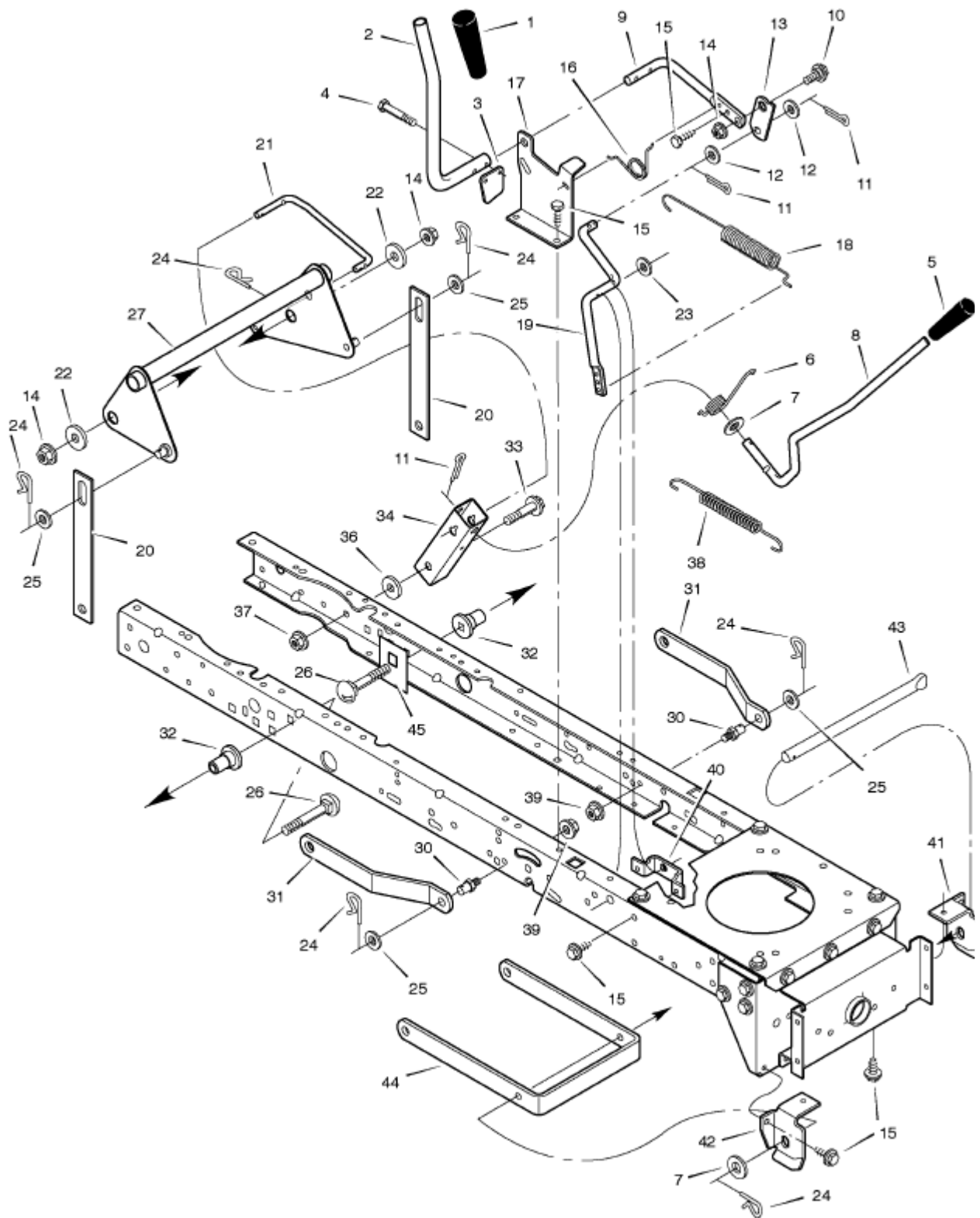
		Add to pick list					
	50	0 92288601 Add to pick list	Wheel & Tire Assembly				
	51	17X195MA Add to pick list	Washer				
	52	0011X3MA Add to pick list	E-Ring				
	53	094618MA Add to pick list	Hub Cap				
	54	093349MA Add to pick list	Guide, Belt				
	55	0031X4MA Add to pick list	Pin, Hair				
	56	165X115MA Add to pick list	Spring, Extension				
	57	165X92MA Add to pick list	Spring, Extension				
	58	26X216MA Add to pick list	Screw				
	59	17X148MA Add to pick list	Washer				
	60	26X267MA Add to pick list	Screw				
	61	17X169MA Add to pick list	Washer				
	62	17X165MA Add to pick list	Washer				
	63	017X53MA Add to pick list	Washer				



Supercessions	Ref #	Part #	<input checked="" type="checkbox"/>	<input checked="" type="checkbox"/>	<input checked="" type="checkbox"/>	<input checked="" type="checkbox"/>	<input checked="" type="checkbox"/>
			Description	Qty	Context Note	Foot Note	UOM
	1	092852MA Add to pick list	Pulley, Jackshaft				
	2	15X140MA Add to pick list	Nut, Hex				
	3	037X86MA Add to pick list	Belt, Mower Drive				
	4	690387MA Add to pick list	Pulley, Idler				
	5	015X84MA Add to pick list	Nut, Flange				
	6	1001197MA Add to pick list	Spacer, Pulley		(Included with Ref. No. 34)		
	8	690212E701MA Add to pick list	Link, Lift				
	9	094137MA Add to pick list	Pad, Friction				
	10	009X52MA Add to pick list	Bolt, Shoulder				
	11	094055E701MA Add to pick list	Bracket, Suspension				
	12	094049E701MA Add to pick list	Pad Assembly, Left Brake				
	13	094068MA Add to pick list	Knob				
	14	009X51MA Add to pick list	Bolt, Shoulder				
	15	094128E700MA Add to pick list	Plate, Suspension				
	16	166X43MA Add to pick list	Spring				
	17	015X79MA Add to pick list	Nut, Flange				
	18	094054E700 Add to pick list	Bracket, Left Suspension				
	19	095194 Add to pick list	Pin, Hanger				
	20	017X91MA Add to pick list	Washer				
	21	0031X4MA Add to pick list	Pin, Cotter				
	22	0025X7MA Add to pick list	Bolt				
	23	094051E701MA Add to pick list	Cover, Pulley				
	24	009X39MA Add to pick list	Bolt, Shoulder				
	25	1001499MA Add to pick list	Arm, Idler				
	26	166X41MA Add to pick list	Spring				
	27	094047E701MA Add to pick list	Pad Assembly, Right Brake				

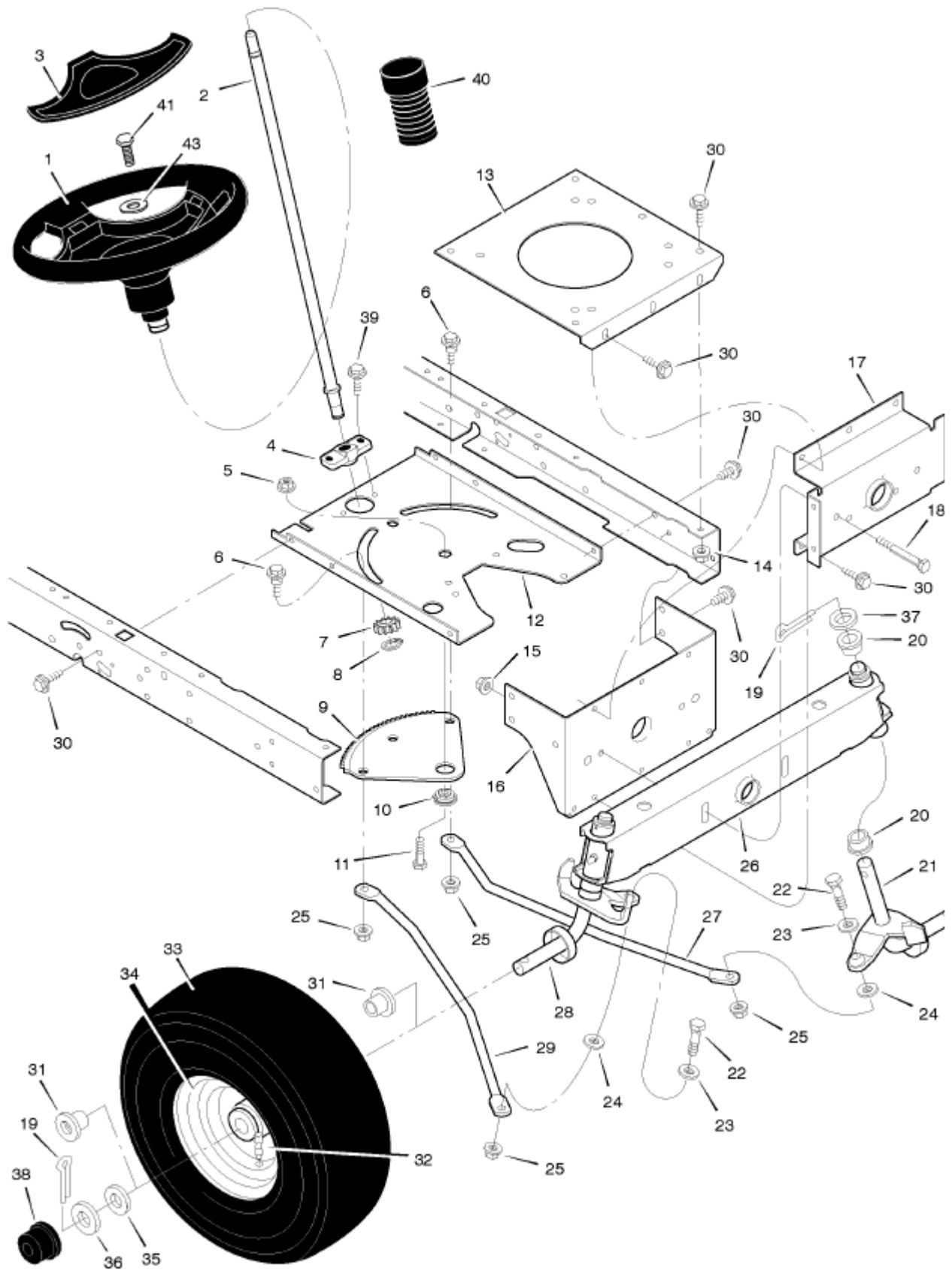
	28	094059E700MA Add to pick list	Bracket Assembly, Brake				
	29	166X42MA Add to pick list	Spring				
	30	094052E701 Add to pick list	Bracket, Right Suspension				
	31	091770E700MA Add to pick list	Plate				
	32	015X88MA Add to pick list	Nut, Flange				
	33	002X53MA Add to pick list	Bolt, Carriage				
	34	1001200MA Add to pick list	Mandrell	(Includes Ref. No. 6)			
	35	690539E701MA Add to pick list	Bracket, Suspension				
	36	690411MA Add to pick list	Adapter, Blade				
	37	1001427E701MA Add to pick list	Blade				
	38	17X166MA Add to pick list	Washer				
	39	17X165MA Add to pick list	Washer				
	40	15X100MA Add to pick list	Nut				
	41	0166X4MA Add to pick list	Spring				
	42	028X23MA Add to pick list	Cap, Push On				
	43	094957 Z Add to pick list	Rod, Pivot				
	44	094707MA Add to pick list	Deflector Assembly				
	45	094956E701MA Add to pick list	Bracket, Deflector				
	46	094062E700 Add to pick list	Bracket, Front Hanger				
	47	017X45 Z Add to pick list	Washer				
	48	094781MA Add to pick list	Guide, Belt				
	50	094681E700 Add to pick list	Bracket, Support				
	51	26X249MA Add to pick list	Screw				
	52	165X118MA Add to pick list	Spring, Extension				
	53	690369MA Add to pick list	Spacer				
	54	094060E700 Add to pick list	Housing - Export Blade	(Includes Ref. No. 17, 18, 30, 31, 32, 33, 45, 46, 47 and 51)			
	55	015X98MA	Nut, Flange				

Add to pick list



Supercessions	Ref #	Part #	<input checked="" type="checkbox"/> Description	<input checked="" type="checkbox"/> Qty	<input checked="" type="checkbox"/> Context Note	<input checked="" type="checkbox"/> Foot Note	<input checked="" type="checkbox"/> UOM
	1	092698MA Add to pick list	Grip				
	2	094157 Z Add to pick list	Handle, PTO				
	3	094022 Z Add to pick list	Pad, Switch				
	4	0025X3MA Add to pick list	Screw, Hex				
	5	092697MA Add to pick list	Grip				
	6	166X40MA Add to pick list	Spring				
	7	17X103MA Add to pick list	Washer				
	8	690533MA Add to pick list	Handle, Lift				
	9	094017 Z Add to pick list	Lever, PTO				
	10	009X39MA Add to pick list	Bolt, Shoulder				
	11	030X20MA Add to pick list	Pin, Cotter				
	12	017X57MA Add to pick list	Washer				
	13	094004 Z Add to pick list	Link, PTO				
	14	015X84MA Add to pick list	Nut, Flange				
	15	26X249MA Add to pick list	Screw				
	16	166X39MA Add to pick list	Spring				
	17	094018E701MA Add to pick list	Bracket, PTO				
	18	165X118MA Add to pick list	Spring, PTO				
	19	690394E701MA Add to pick list	Crank, PTO				
	20	690212E701MA Add to pick list	Link, Lift				
	21	690122 Z Add to pick list	Link, Lift Handle				
	22	17X168ZMA Add to pick list	Washer				
	23	017X57MA Add to pick list	Washer				
	24	0031X4MA Add to pick list	Pin, Hair				
	25	017X91MA Add to pick list	Washer				
	26	002X85MA Add to pick list	Bolt, Carriage				

	27	1001111E700MA Add to pick list	Lever Assembly, Lift				
	30	094067MA Add to pick list	Pin				
	31	094055E701MA Add to pick list	Bracket, Rear Suspension				
	32	690151MA Add to pick list	Spacer, Lifter				
	33	009X53MA Add to pick list	Bolt, Shoulder				
	34	094015E700 Add to pick list	Bracket, Pivot				
	36	17X191MA Add to pick list	Washer				
	37	015X84MA Add to pick list	Nut, Flange				
	38	165X131MA Add to pick list	Spring				
	39	015X68MA Add to pick list	Nut, Flange				
	40	094005E701 Add to pick list	Bracket, PTO				
	41	094027E701MA Add to pick list	Hanger, Left Deck				
	42	094026E700 Add to pick list	Hanger, Right Deck				
	43	094158 Z Add to pick list	Rod, Hanger				
	44	690539E701MA Add to pick list	Bracket, Suspension				
	45	1001098E701 Add to pick list	Plate, Stiffening				



Supercessions	Ref #	Part #	<input checked="" type="checkbox"/>	<input checked="" type="checkbox"/>	<input checked="" type="checkbox"/>	<input checked="" type="checkbox"/>	<input checked="" type="checkbox"/>
			Description	Qty	Context Note	Foot Note	UOM
	1	1001980 Add to pick list	Wheel, Steering				
	2	690625 Add to pick list	Post, Steering				
	3	1001982MA Add to pick list	Cover, Steering Wheel				
	4	094124MA Add to pick list	Bearing		(Included with Ref. No. 2)		
	5	15X111MA Add to pick list	Nut, Flange		(Included with Ref. No. 2)		
	6	009X57MA Add to pick list	Bolt, Shoulder				
	7	1001893 Add to pick list	Gear, Pinion		(Included with Ref. No. 2)		
	8	011X25MA Add to pick list	Ring, Snap		(Included with Ref. No. 2)		
	9	094121MA Add to pick list	Gear, Sector				
	10	094123MA Add to pick list	Bearing				
	11	001X84MA Add to pick list	Bolt				
	12	1001121E701MA Add to pick list	Plate, Steering				
	13	094006E700 Add to pick list	Plate, Engine				
	14	015X88MA Add to pick list	Nut, Flange				
	15	15X118MA Add to pick list	Nut, Flange				
	16	1001270E700MA Add to pick list	Bracket, Hanger				
	17	94007E701 Add to pick list	Axle, Hanger				
	18	01X146MA Add to pick list	Bolt				
	19	030X49MA Add to pick list	Pin, Cotter				
	20	690150MA Add to pick list	Bearing				
	21	094576E701MA Add to pick list	Spindle Assembly, Left				
	22	01X111MA Add to pick list	Bolt				
	23	17X104MA Add to pick list	Washer				
	24	017X53 Z Add to pick list	Washer				
	25	015X84MA Add to pick list	Nut, Flange				
	26	1001460E701MA Add to pick list	Axle Assembly				

	27	095329E701MA Add to pick list	Drag Link, Left				
	28	094575E701MA Add to pick list	Spindle Assembly, Right				
	29	095328E701MA Add to pick list	Drag Link, Right				
	30	26X249MA Add to pick list	Screw				
	31	091334 Add to pick list	Bearing, Wheel				
	32	024373MA Add to pick list	Stem, Valve				
	33	091912MA Add to pick list	Tire *				
	--	407924 Add to pick list	Tube				
	34	1001840601 Add to pick list	Wheel and Tire Assembly				
	35	17X195MA Add to pick list	Washer				
	36	17X192MA Add to pick list	Washer				
	37	17X113MA Add to pick list	Washer				
	38	094618MA Add to pick list	Hub Cap				
	39	26X267MA Add to pick list	Screw				
	40	092059MA Add to pick list	Bellows				
	41	0025X3MA Add to pick list	Screw, Hex				
	43	17X146MA Add to pick list	Washer				

Note* When you order a tire, make sure to give the brand name of the tire so that the tread pattern on the tire will match.