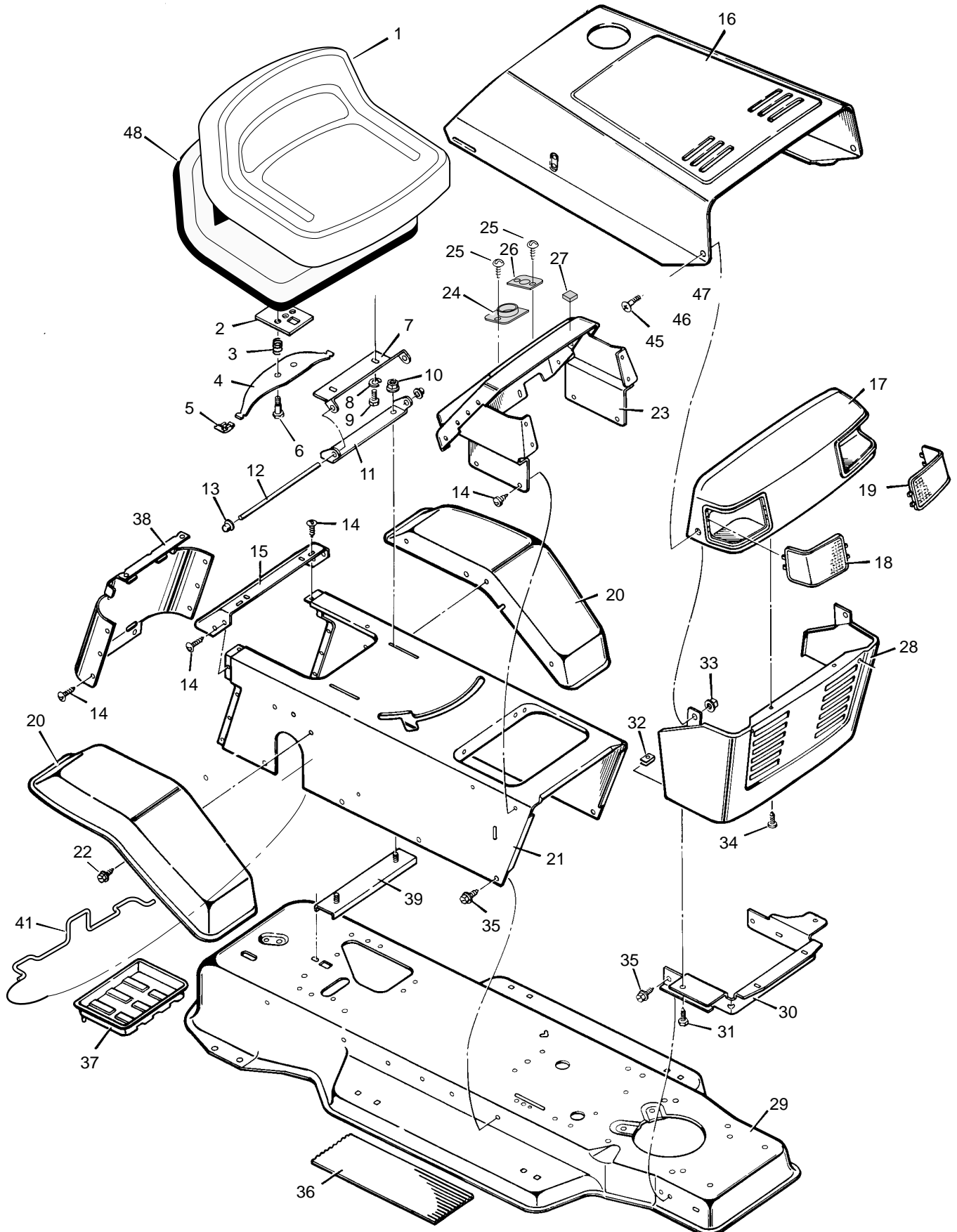


# MODEL 31721x88A (VRO30-12GXT)

# REPAIR PARTS CHASSIS & HOOD



# MODEL 31721x88A (VRO30–12GXT)

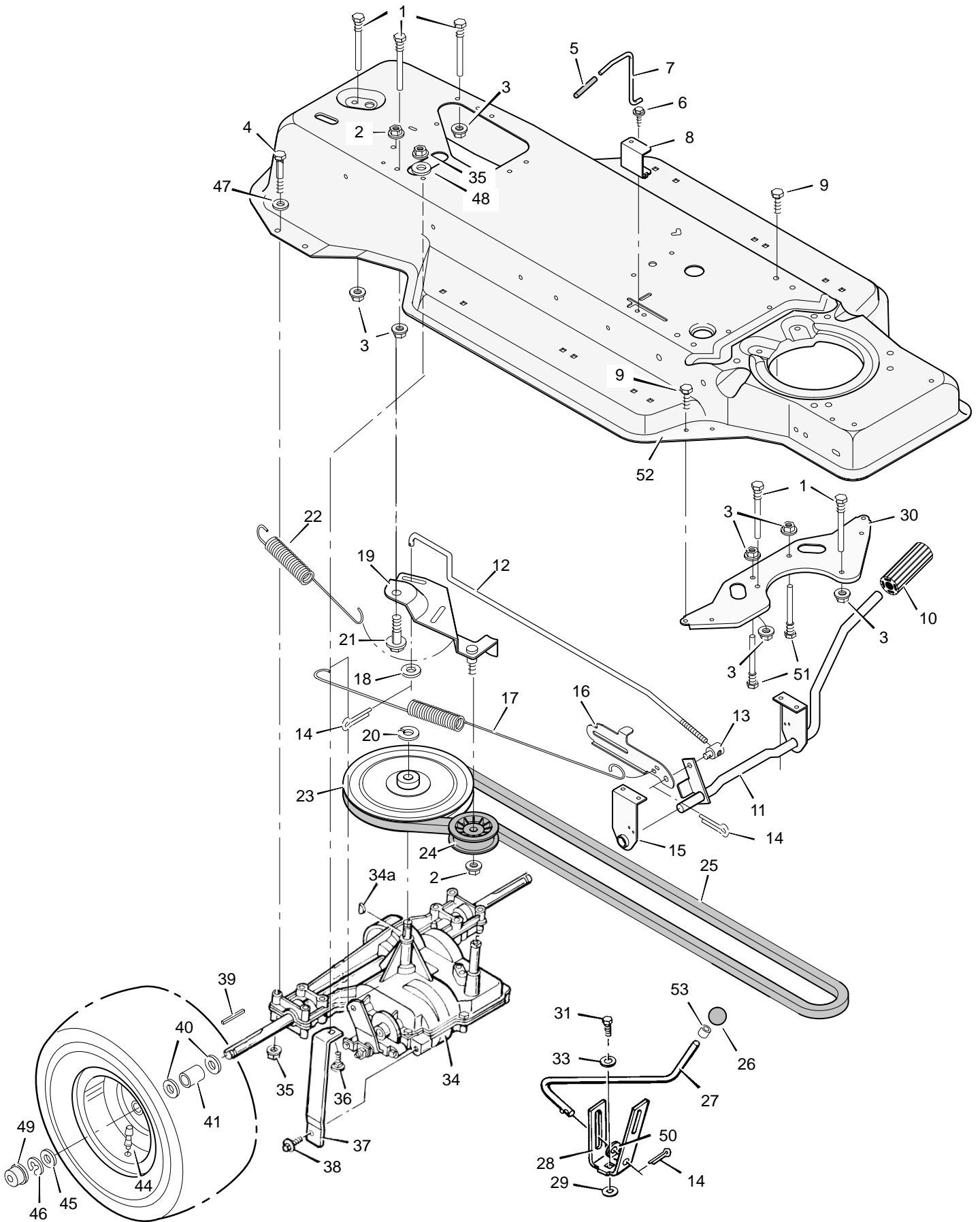
# REPAIR PARTS CHASSIS & HOOD

Key No.	Description	Part No.	Key No.	Description	Part No.
1	Seat	92387	24	Bearing, Steering	93135
2	Plate Assembly, Switch	91963Z	25	Screw	26x238
3	Spring, Compression	164x26	26	Bearing	93155
4	Spring, Seat	91964	27	Bumper	92444
5	Glide, Spring	91822	28	Grill, Lower	91722E549
6	Bolt, Shoulder	9x38	29	Frame Assembly	92815E700
7	Support, Seat	92334E700	30	Support, Grill	91723E700
8	Lockwasher	18x16	31	Screw	26x252
9	Bolt, Hex	1x45	32	U–Nut	28x57
10	Locknut, Flange	15x88	33	Locknut, Flange	15x84
11	Bracket, Pivot	91729E700	34	Fastener, Plastic	193x1
12	Rod, Pivot	91730E700	35	Screw	26x249
13	Cap, Push On	28x23	36	Mat	94107
14	Screw, Tap	26x270	37	Tray, Battery	91895
15	Fender, Apron *	91724E700	38	Cap, Console *	92443E700
16	Hood	91852E549	39	Channel Assembly	91857E700
17	Grille, Upper	91736	41	Clamp, Battery	92725E700
18	Lens, Right	91734	45	Bolt, Shoulder	9x58
19	Lens, Left	91735	48	Pan, Seat (with foam)	92357
20	Fender	91715E549	—	Instruction Book	F–98952
21	Console Assembly	92727E549	—	Decal, Hood	44x7731
22	Screw	26x263	—	Decal, Top Console – Warning	44x6815
23	Dash Panel	93174E549	—	Decal, Shift Pattern	44x1459

\* Also included with Key No. 21.

# MODEL 31721x88A (VRO30-12GXT)

# REPAIR PARTS MOTION DRIVE



# MODEL 31721x88A (VRO30–12GXT)

# REPAIR PARTS MOTION DRIVE

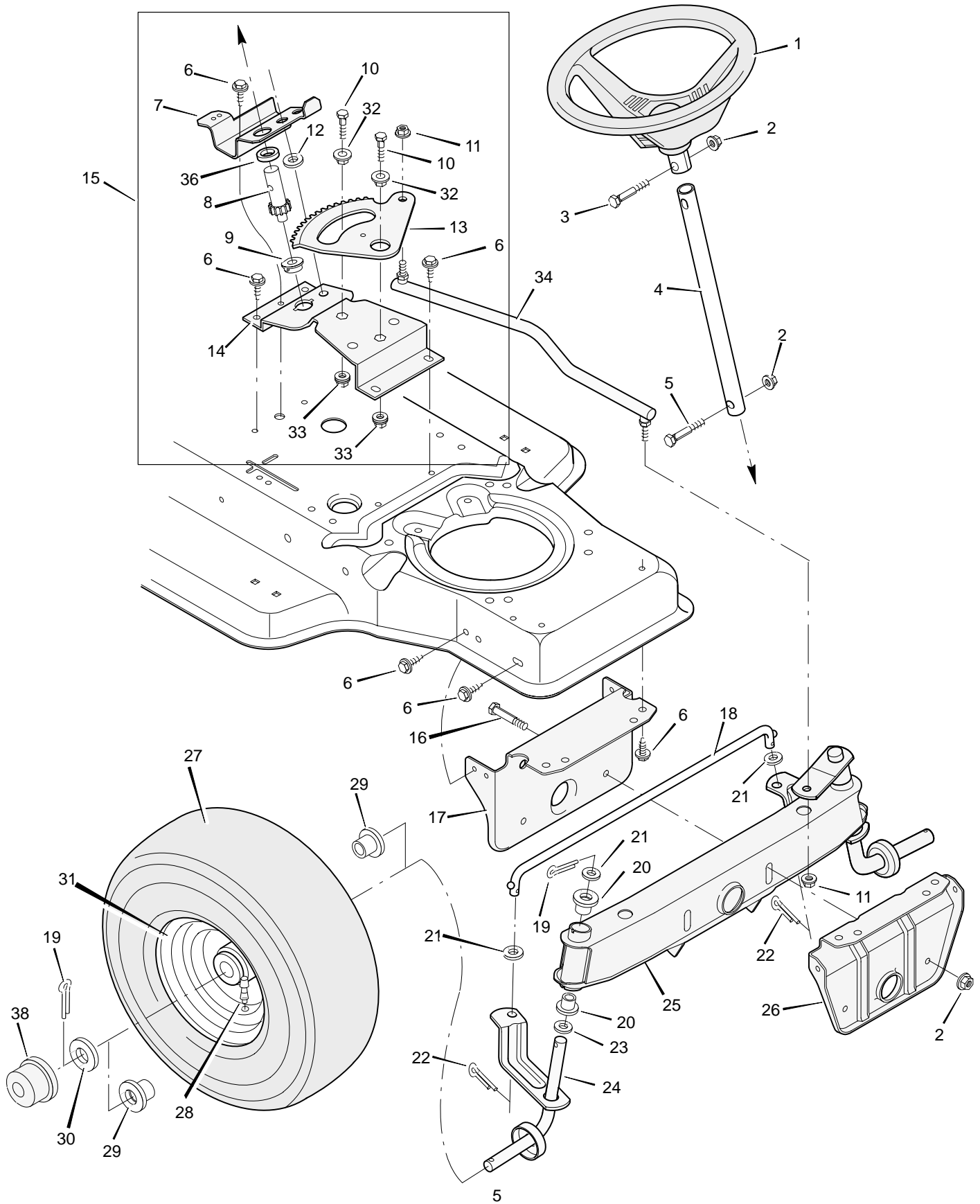
Key No.	Description	Part No.	Key No.	Description	Part No.
1	Guide, Belt	91754Z	28	Yoke, Shift	91806Z
2	Locknut, Flange	15x84	29	Washer	17x148
3	Nut, Flange	15x79Z	30	Plate, Belt Guide	92694E700
4	Bolt, Hex	1x124	31	Bolt, Hex	6x105
5	Grip	91079	33	Washer	17x38
6	Screw	26x214	34	Transaxle – Peerless **	—
7	Rod, Control	91727E700	34a	Woodruff Key No. 9	20697
8	Guide, Bracket	91825E700	35	Nut, Flange	15x88
9	Screw	26x249	36	Bolt, Carriage	2x64
10	Clutch and Brake Pedal	21544	37	Support, Transaxle	91804E700
11	Lever Assembly	91862E700	38	Screw	26x216
12	Rod, Clutch	91808Z	39	Key, Square	21553
13	Nut, Adjustable	21920	40	Washer	17x160
14	Pin, Cotter	30x20	41	Spacer, Transaxle	87x100Z
15	Bracket, Support	91713E700	42	Tyre*	91923
16	Latch, Park Brake	91712Z	—	Tube	407049
17	Spring, Brake Extension	165x82	43	Wheel & Tyre Assembly	92288–601
18	Washer	17x47Z	44	Stem, Valve	24373
19	Bracket Assembly, Idler	92737Z	45	Washer	17x195
20	Ring, Retainer	11x7	46	E–Ring	11x3
21	Bolt, Shoulder	9x39	47	Washer	17x146Z
22	Spring, Drive Extension	165x76	48	Washer	17x45
23	Pulley, Motion Drive	95094	49	Hub Cap (Optional)	94618
24	Pulley, Backside Idler	91179	50	Washer	17x102
25	Belt, Motion Drive	37x61	51	Guide, Belt	20619
26	Knob, Shift Lever	91995	52	Frame Assembly	92815E700
27	Lever, Shift	91805Z	53	Ring, Tolerance	92008

\* When you order a tire, make sure to give the brand name of the tire so that the tread pattern on the tire will match.

\*\* For information on Replacement Parts see the Central Parts Distributor in your area.

# MODEL 31721x88A (VRO30-12GXT)

# REPAIR PARTS STEERING



# MODEL 31721x88A (VRO30–12GXT)

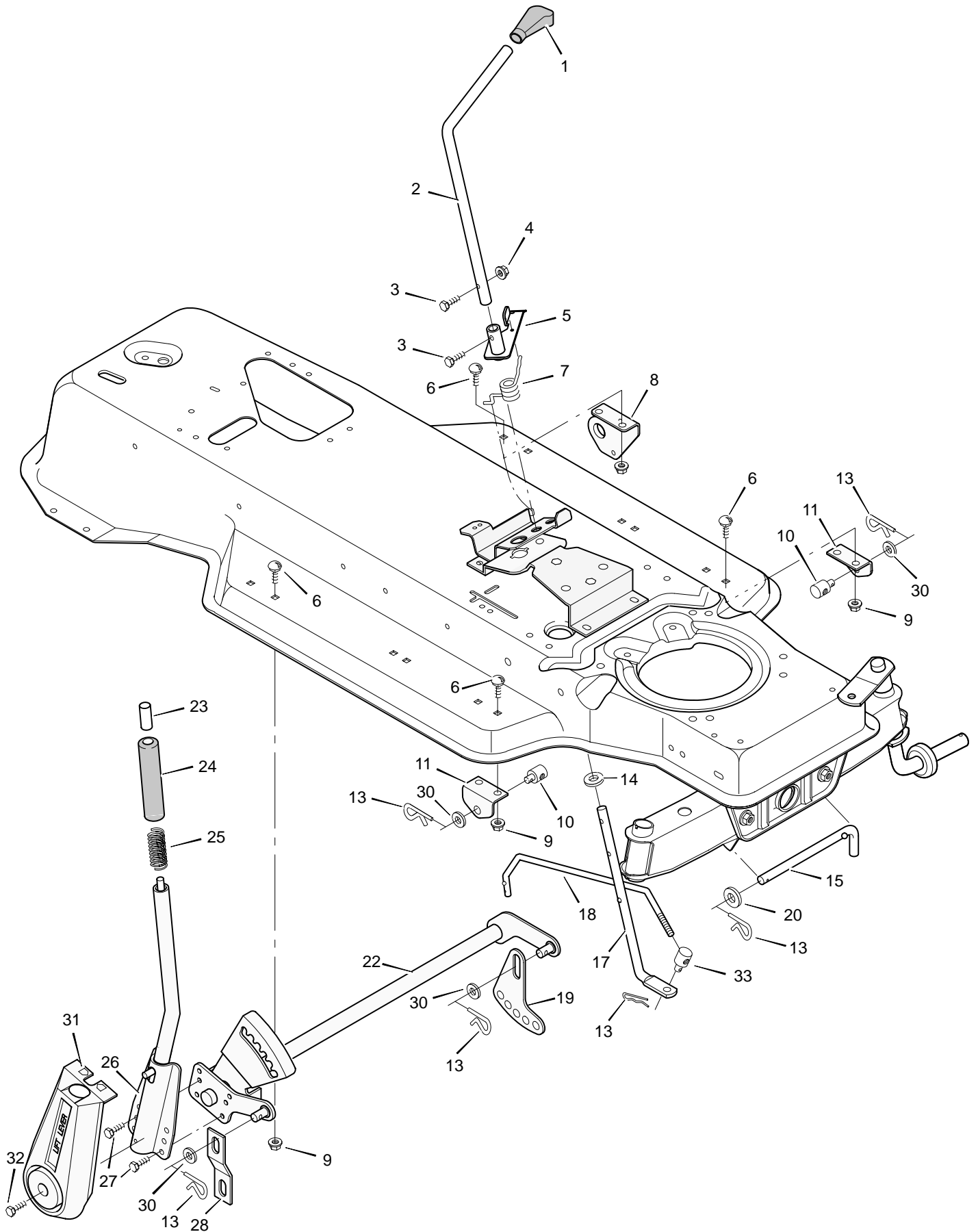
# REPAIR PARTS STEERING

Key No.	Description	Part No.
1	Wheel, Steering	92078
2	Nut, Hex	15x118
3	Bolt, Hex	1x66
4	Post, Steering	91714Z
5	Bolt, Hex	1x74
6	Screw	26x249
7	Bracket, Sector	91716E700
8	Gear, Pinion	92715
9	Bearing	92716
10	Bolt, Hex	1x84
11	Locknut, Flange	15x87
12	Spacer	92564
13	Gear, Sector	92316
14	Bracket, Sector	91708E700
15	Kit, Steering Gear	402075
16	Bolt, Hex	1x146
17	Support, Rear Axle	92529E700
18	Rod, Tie	90038E700
19	Pin, Cotter	30x49
20	Bearing	92527
21	Washer	17x57
22	Pin, Cotter	30x20
23	Washer	17x113
24	Spindle Assembly, Right	91828E700
25	Spindle Assembly, Axle & Left	92519E700
26	Support, Front Axle	92528E700
27	Tyre*	91912
—	Tube	407047
28	Stem, Valve	24373
29	Bearing, Wheel	91334
30	Washer	17x195
31	Wheel & Tyre Assembly	94578–601
32	Bearing	92097
33	Locknut, Flange	15x113
34	Link, Drag	91749E700
36	Spacer, Pinion Gear	92280
38	Hub Cap (Optional)	94618

\* When you order a tire, make sure to give the brand name of the tire so that the tread pattern on the tire will match.

# MODEL 31721x88A (VRO30-12GXT)

# REPAIR PARTS MOWER HOUSING SUSPENSION



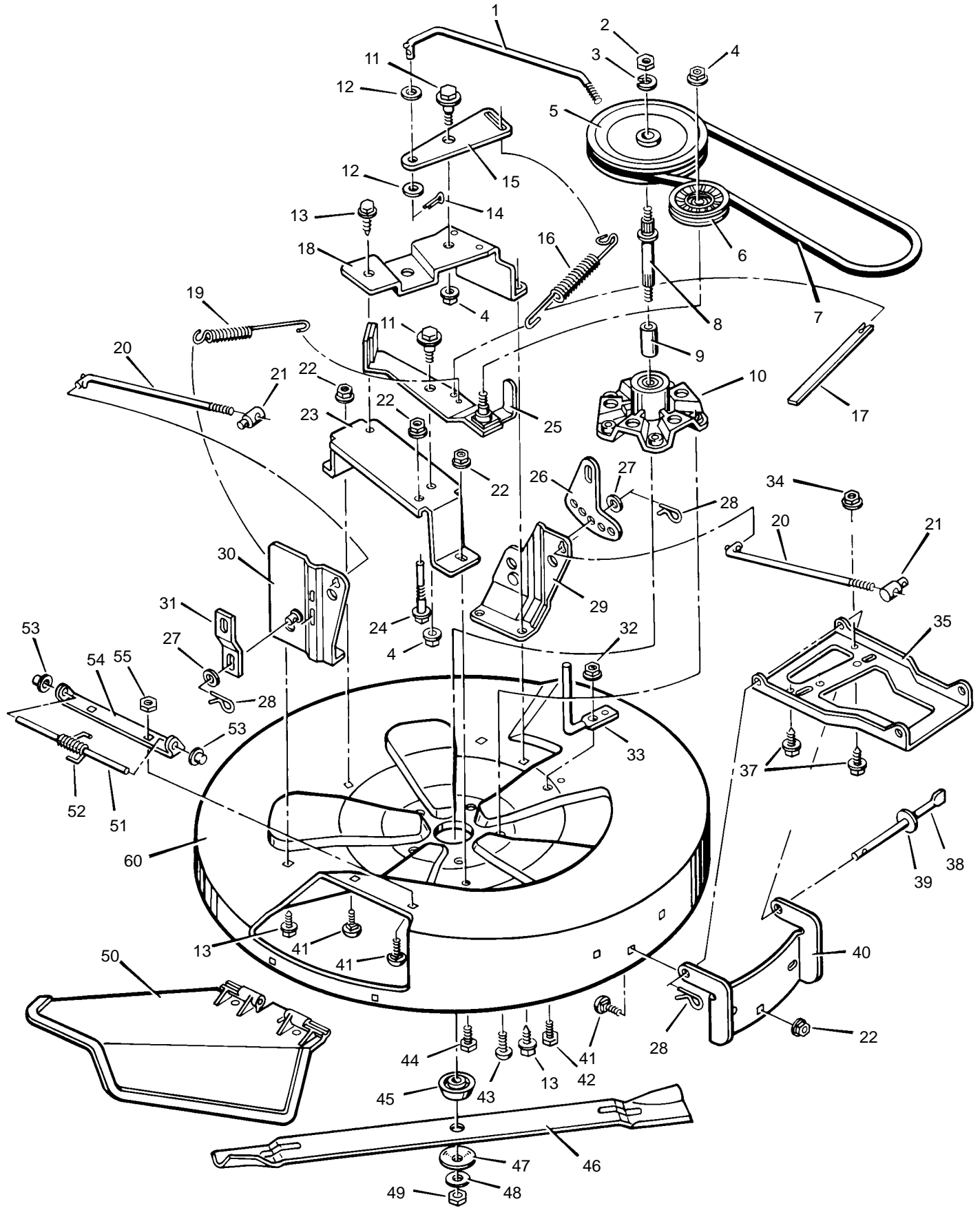
**MODEL 31721x88A (VRO30-12GXT)****REPAIR PARTS  
MOWER HOUSING SUSPENSION**

<b>Key No.</b>	<b>Description</b>	<b>Part No.</b>
1	Grip	92698
2	Control, Blade Rotation	91781 Z
3	Bolt, Hex	25x3
4	Locknut, Hex	15x67
5	Lever Assembly, Switch	91917E700
6	Bolt, Carriage	2x53
7	Spring, Torsion	166x32
8	Bracket, Rear Hanger	92066E700
9	Nut, Flange	15x79
10	Nut, Adjusting	92131
10	Nut, Adjusting	92132
11	Bracket, Adjuster Rod	92133E700
13	Pin, Hair	31x4
14	Washer	17x122
15	Pin, Pull	90827 Z
17	Lever, Lower Blade Control	91787E700
18	Rod, Blade Control	92283 Z
19	Plate, Adjuster	91741E700
20	Washer	17x103
22	Lifter Assembly	92705E700
23	Button, Push	92572
24	Grip	92783
25	Spring, Compression	164x21
26	Handle Assembly	91823E700
27	Screw	26x49
28	Link, Suspension	92064E700
30	Washer	17x91 Z
31	Cover, Lift Lever (Optional)	92157
32	Screw	26x263
33	Nut, Adjusting	21920



# MODEL 31721x88A (VRO30-12GXT)

# REPAIR PARTS MOWER HOUSING



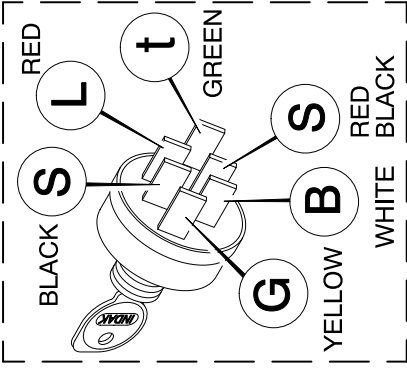
# MODEL 31721x88A (VRO30–12GXT)

# REPAIR PARTS MOWER HOUSING

Key No.	Description	Part No.	Key No.	Description	Part No.
1	Rod, PTO	92283 Z	30	Bracket Assembly, Right Lifter	92205E700
2	Locknut	15x100	31	Link	92064E700
3	Lockwasher	18x33	32	Nut, Flange	15x68
4	Locknut, Flange	15x84	33	Guide, Belt	91797E700
5	Pulley, Splined	91951	34	Nut, Hex	15x82
6	Pulley, Idler	91801	35	Hanger, Front	92202E700
7	Belt, Mower Drive	37x74	37	Screw	25x4
8	Mandrel	91922	38	Rod, Hanger	92273 Z
9	Spacer	91903	39	Washer	17x57
10	Housing, Mandrel	55962	40	Bracket, Front Hanger	92203E700
11	Bolt, Shoulder	9x39	41	Bolt, Carriage	2x53
12	Washer	17x46 Z	42	Bolt	1x85
13	Screw	26x249	43	Screw	26x216
14	Pin, Cotter	30x20	44	Bolt	1x45
15	Bracket, Pivot	92209E700	45	Adapter, Blade	92466
16	Spring, Extension	165x91	46	Blade	55793E701
17	Indicator, Plastic	92163	47	Washer, Belleville	17x166
18	Support, Pivot Bracket	92208E700	48	Washer	17x165
19	Spring, Extension	165x90	49	Nut, Hex	15x100
20	Rod, Adjusting	91748 Z	50	Deflector, Chute	55971
21	Nut, Adjustable	92131	51	Rod, Deflector	21197 Z
22	Nut, Flange	15x79	52	Spring, Torsional	166x4
23	Support, Idler Arm	92211E700	53	Cap, Push On	28x23
24	Guide, Belt	20619	54	Hinge, Deflector	56213E700
25	Arm Assembly, Idler	92221	55	Locknut	15x43
26	Plate, Adjusting	91741E700	57	Bolt, Carriage	2x64
27	Washer	17x103 Z	58	Wingnut	14x83
28	Pin, Hair	31x4	1–60	Mower Housing, Complete	403344
29	Bracket Assembly, Left Lifter	92207E700			

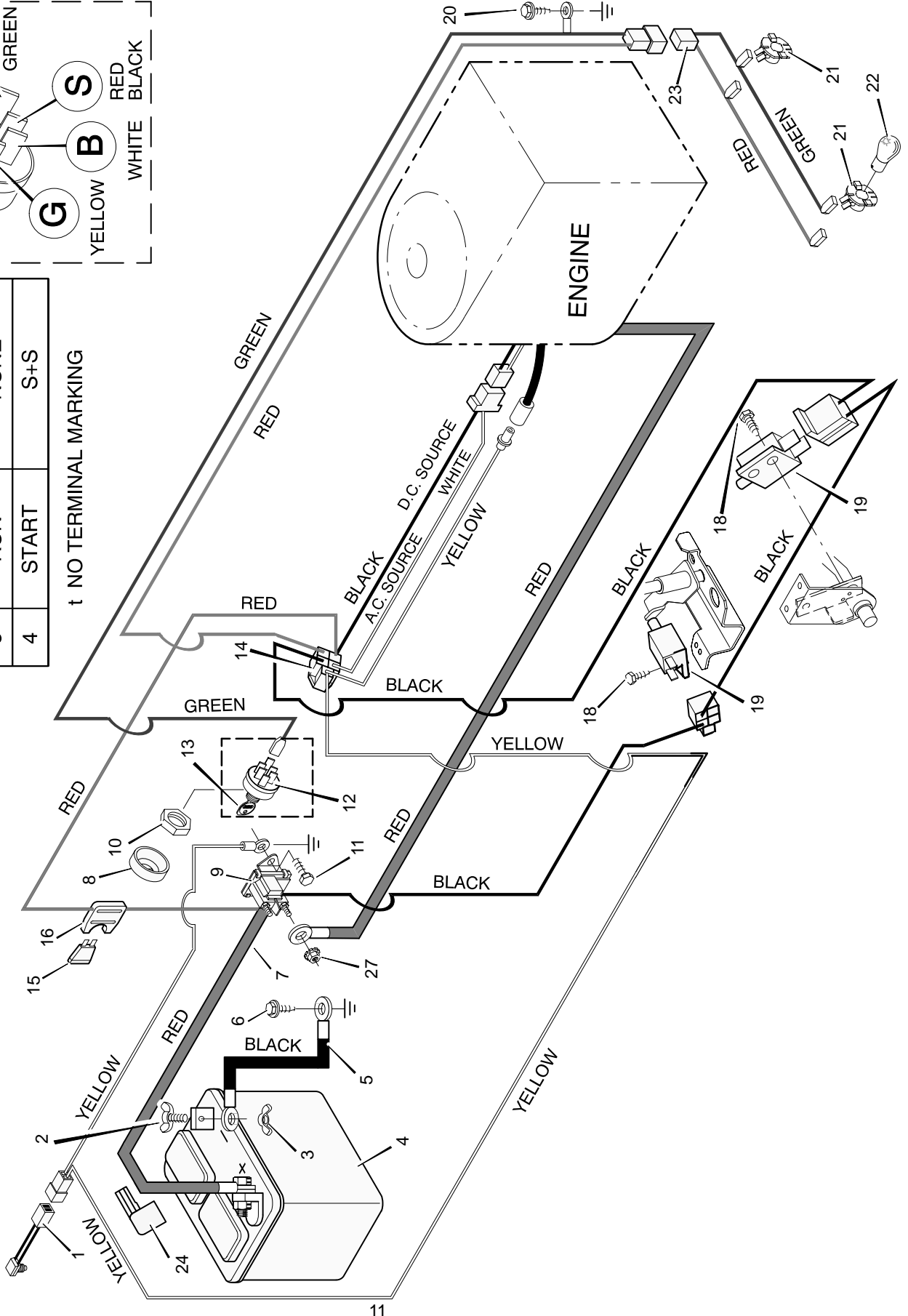
# MODEL 31721x88A (VRO30-12GXT)

# REPAIR PARTS ELECTRICAL SYSTEM



POS.	FUNCTION	CIRCUIT (MAKE)
1	OFF	G+t
2	RUN LIGHTS	B+L
3	RUN	NONE
4	START	S+S

t NO TERMINAL MARKING



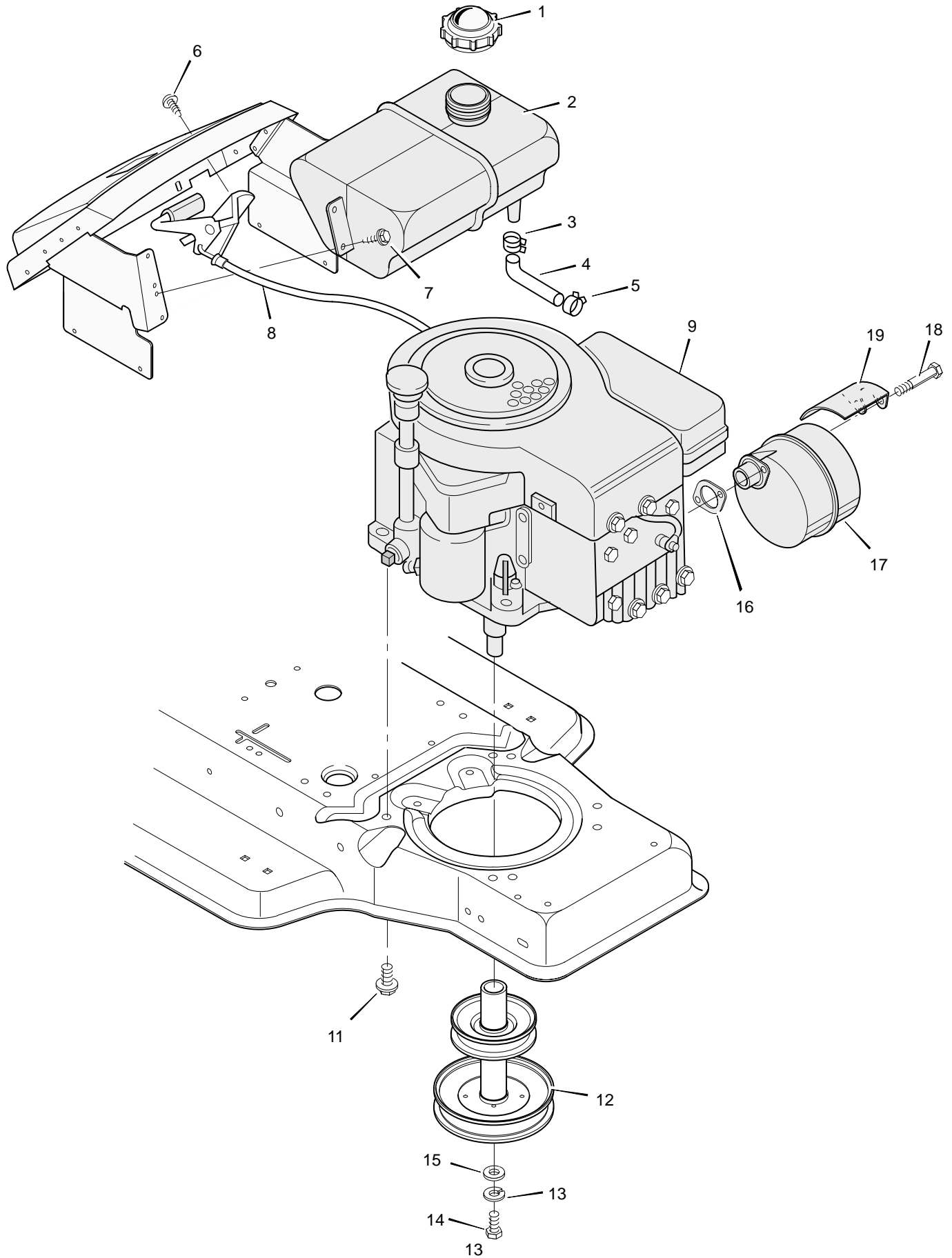
# MODEL 31721x88A (VRO30-12GXT)

# REPAIR PARTS ELECTRICAL SYSTEM

<b>Key No.</b>	<b>Description</b>	<b>Part No.</b>
1	Switch, Seat Sensor	91031
2	Bolt	2x82
3	Wingnut	14x79
4	Battery	91414
5	Cable, Battery Ground	24x30
6	Screw	26x249
7	Cable, Red Battery	24x29
8	Cap, Ignition	91488
9	Solenoid	24285
10	Nut	91489
11	Screw	26x214
12	Switch, Ignition	92377
13	Key, Ignition	20729
14	Harness, Chassis Wire	250x50
15	Fuse	54212
16	Holder, Fuse	407078
18	Screw	26x233
19	Switch, Clutch	24273
20	Screw	25x2
21	Socket, Light	92372
22	Bulb, Light	90084
23	Harness, Light Wire	250x40
24	Cover, Terminal	54148
27	Locknut	15x116

# MODEL 31721x88A (VRO30-12GXT)

# REPAIR PARTS ENGINE MOUNT



# MODEL 31721x88A (VRO30–12GXT)

# REPAIR PARTS ENGINE MOUNT

Key No.	Description	Part No.
1	Fuel Cap	92317
2	Fuel Tank	91869
3	Hose Clamp	95197
4	Fuel Line	90671
5	Hose Clamp	95197
6	Screw	26x201
7	Screw	26x214
8	Throttle Control	91983
9	Engine*	—
11	Bolt, Engine Mount	25x7
12	Stack Pulley Assembly	92318 Z
13	Lockwasher	19x35
14	Bolt, Hex	1x140
15	Washer	17x170
16	Gasket	91309
17	Muffler	91271SE
18	Bolt, Hex	1x134
19	Shield, Heat	91277

\* Parts are available from a Briggs & Stratton Authorized Service Center. See “Engines, Gasoline” or “Gasoline Engines” in the yellow pages of the telephone directory.