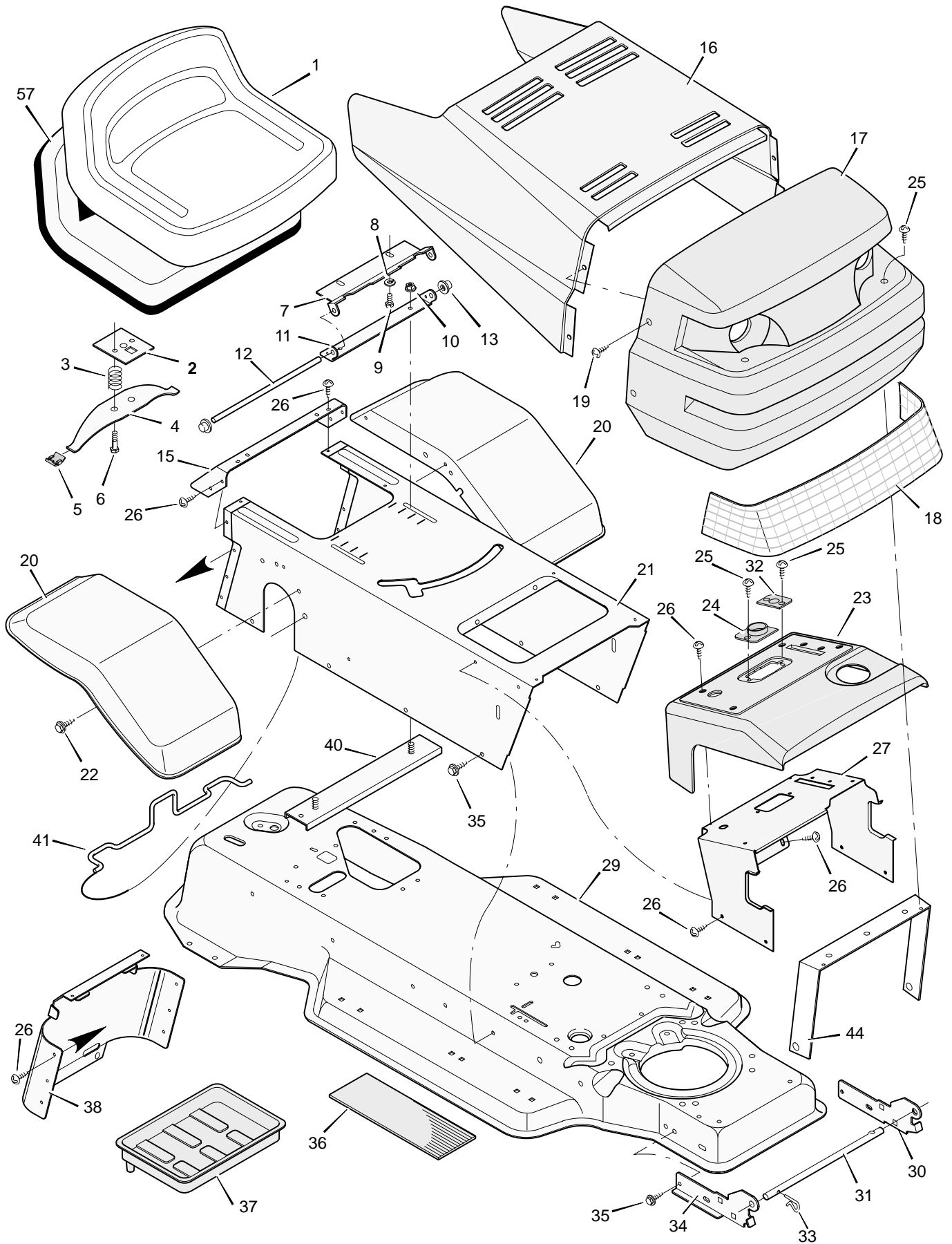


MODEL CODE143P

FACTORY MODEL NO. 31720x11B CHASSIS & HOOD



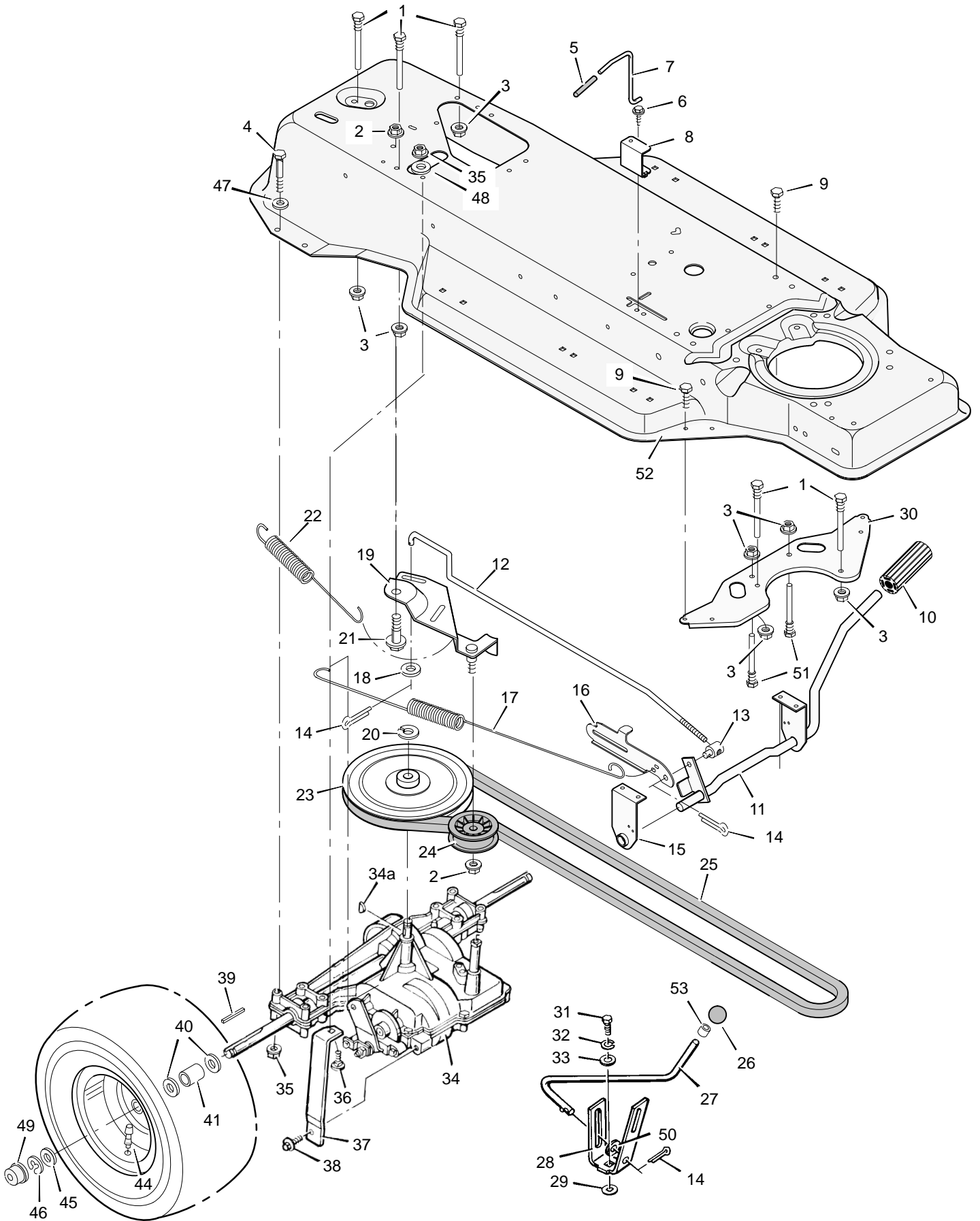
MODEL CODE143P

FACTORY MODEL NO. 31720x11B CHASSIS & HOOD

Key No.	Description	Part No.	Key No.	Description	Part No.
1	Seat	91965	25	Screw	26x239
2	Plate Assembly, Switch	91963Z	26	Screw	26x270
3	Spring, Compression	164x26	27	Support, Dash	92331E700
4	Spring, Seat	91964	29	Frame Assembly	92515E541
5	Glide, Spring	91822	30	Bracket, Left Grille	92347E700
6	Bolt, Shoulder	9x38	31	Rod, Pivot	92332Z
7	Support, Seat	92334E700	32	Bearing	92398
8	Lockwasher	18x16	33	Pin, Hair	31x4
9	Bolt, Hex	1x45	34	Bracket, Right Grille	92346E700
10	Locknut, Flange	15x88	35	Screw	26x249
11	Bracket, Pivot	91729E700	36	Mat	91900
12	Rod, Pivot	91730E700	37	Tray, Battery	91895
13	Cap, Push On	28x23	38	Cap, Console	92443E541
15	Fender, Apron	91724E541	39	Bolt	2x64
16	Hood	92333E541	40	Channel Assembly	91857E541
17	Grille Assembly (includes Lens)	92350	41	Clamp, Battery	92725Z
18	Lens	92344	44	Brace, Grille	92448Z
19	Screw	9x47	57	Pan, Seat (with foam)	92357
20	Fender	91715E541	—	Book, Instruction	F-98857
21	Console Assembly	92727E541	—	Decal, Left Hood	44x3043
22	Screw	26x263	—	Decal, Right Hood	44x3042
23	Dash Panel	92605E700	—	Decal, Console	44x3302
24	Bearing, Steering	92399	—	Decal, Shift Pattern	44x1459

MODEL CODE143P

**FACTORY MODEL NO. 31720x11B
MOTION DRIVE**



MODEL CODE143P

FACTORY MODEL NO. 31720x11B MOTION DRIVE

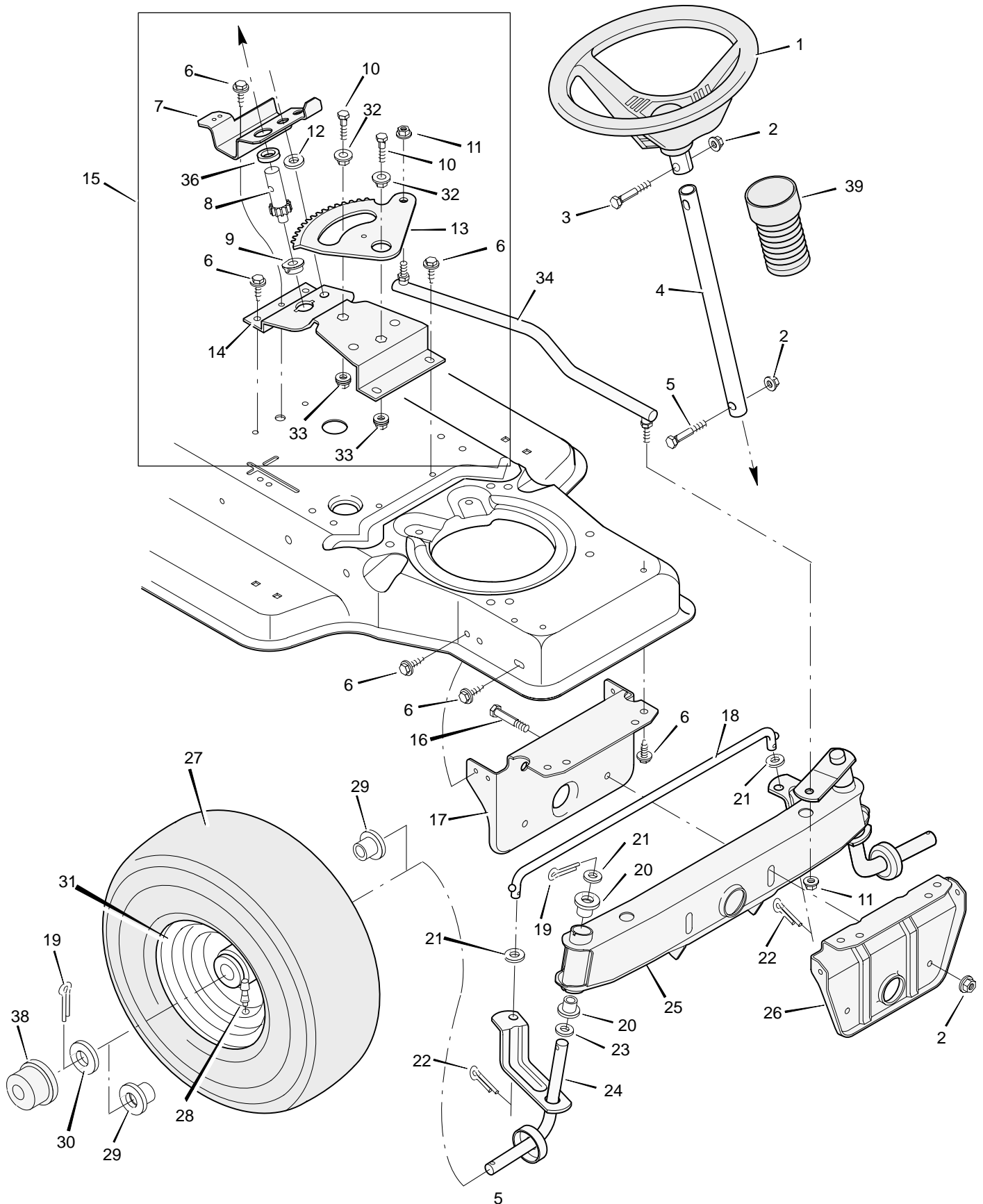
Key No.	Description	Part No.	Key No.	Description	Part No.
1	Guide, Belt	91754Z	29	Washer	17x148
2	Locknut, Flange	15x84	30	Plate, Belt Guide	92694E700
3	Nut, Flange	15x79Z	31	Bolt, Hex	1x145
4	Bolt, Hex	1x124	32	Lockwasher	18x32
5	Grip	92724	33	Washer	17x180
6	Screw	26x214	34	Transaxle – Peerless **	—
7	Rod, Control	91727E700	34a	Woodruff Key No. 9	20697
8	Guide, Bracket	91825E700	35	Nut, Flange	15x88
9	Screw	26x249	36	Bolt, Carriage	2x64
10	Clutch and Brake Pedal	21544	37	Support, Transaxle	91804E700
11	Lever Assembly	91862E700	38	Screw	26x216
12	Rod, Clutch	91808Z	39	Key, Square	21553
13	Nut, Adjustable	21920	40	Washer	17x160
14	Pin, Cotter	30x20	41	Spacer, Transaxle	87x100Z
15	Bracket, Support	91713E700	42	Tyre*	91923
16	Latch, Park Brake	91712Z	—	Tube	407049
17	Spring, Brake Extension	165x82	43	Wheel & Tyre Assembly	92288–601
18	Washer	17x47Z	44	Stem, Valve	24373
19	Bracket Assembly, Idler	92737Z	45	Washer	17x195
20	Ring, Retainer	11x7	46	E–Ring	11x3
21	Bolt, Shoulder	9x39	47	Washer	17x146Z
22	Spring, Drive Extension	165x76	48	Washer	17x45
23	Pulley, Motion Drive	91807	49	Hub Cap (Optional)	94618
24	Pulley, Backside Idler	91179	50	Washer	17x102
25	Belt, Motion Drive	37x61	51	Guide, Belt	20619
26	Knob, Shift Lever	91995	52	Frame Assembly	92515E541
27	Lever, Shift	91805Z	53	Ring, Tolerance	92008
28	Yoke, Shift	91806Z			

* When you order a tire, make sure to give the brand name of the tire so that the tread pattern on the tire will match.

** For information on Replacement Parts see the Central Parts Distributor in your area.

MODEL CODE143P

**FACTORY MODEL NO. 31720x11B
STEERING**



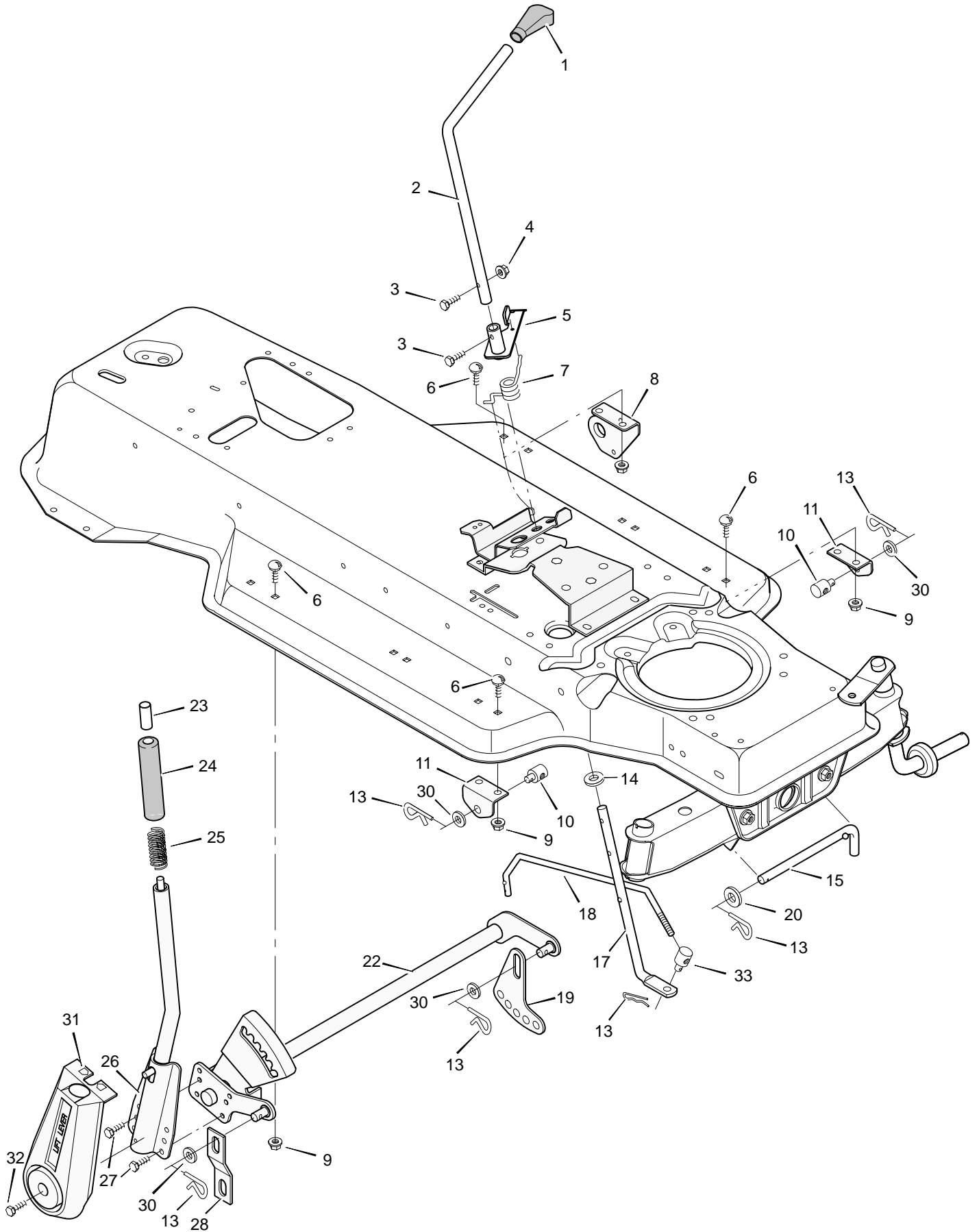
MODEL CODE143P**FACTORY MODEL NO. 31720x11B
STEERING**

Key No.	Description	Part No.
1	Wheel, Steering	92078
2	Nut, Hex	15x118
3	Bolt, Hex	1x66
4	Post, Steering	91714Z
5	Bolt, Hex	1x74
6	Screw	26x249
7	Bracket, Sector	91716E700
8	Gear, Pinion	92715
9	Bearing	92716
10	Bolt, Hex	1x84
11	Locknut, Flange	15x87
12	Spacer	92564
13	Gear, Sector	92316
14	Bracket, Sector	91708E700
15	Kit, Steering Gear	402075
16	Bolt, Hex	1x146
17	Support, Rear Axle	92529E700
18	Rod, Tie	90038E700
19	Pin, Cotter	30x49
20	Bearing	92527
21	Washer	17x57
22	Pin, Cotter	30x20
23	Washer	17x113
24	Spindle Assembly, Right	91828E541
25	Spindle Assembly, Axle & Left	92519E541
26	Support, Front Axle	92528E700
27	Tyre*	91912
—	Tube	407047
28	Stem, Valve	24373
29	Bearing, Wheel	91334
30	Washer	17x195
31	Wheel & Tyre Assembly	94578–601
32	Bearing	92097
33	Locknut, Flange	15x113
34	Link, Drag	91749E700
36	Spacer, Pinion Gear	92280
38	Hub Cap (Optional)	94618
39	Bellows	54789

* When you order a tire, make sure to give the brand name of the tire so that the tread pattern on the tire will match.

MODEL CODE143P

FACTORY MODEL NO. 31720x11B MOWER HOUSING SUSPENSION



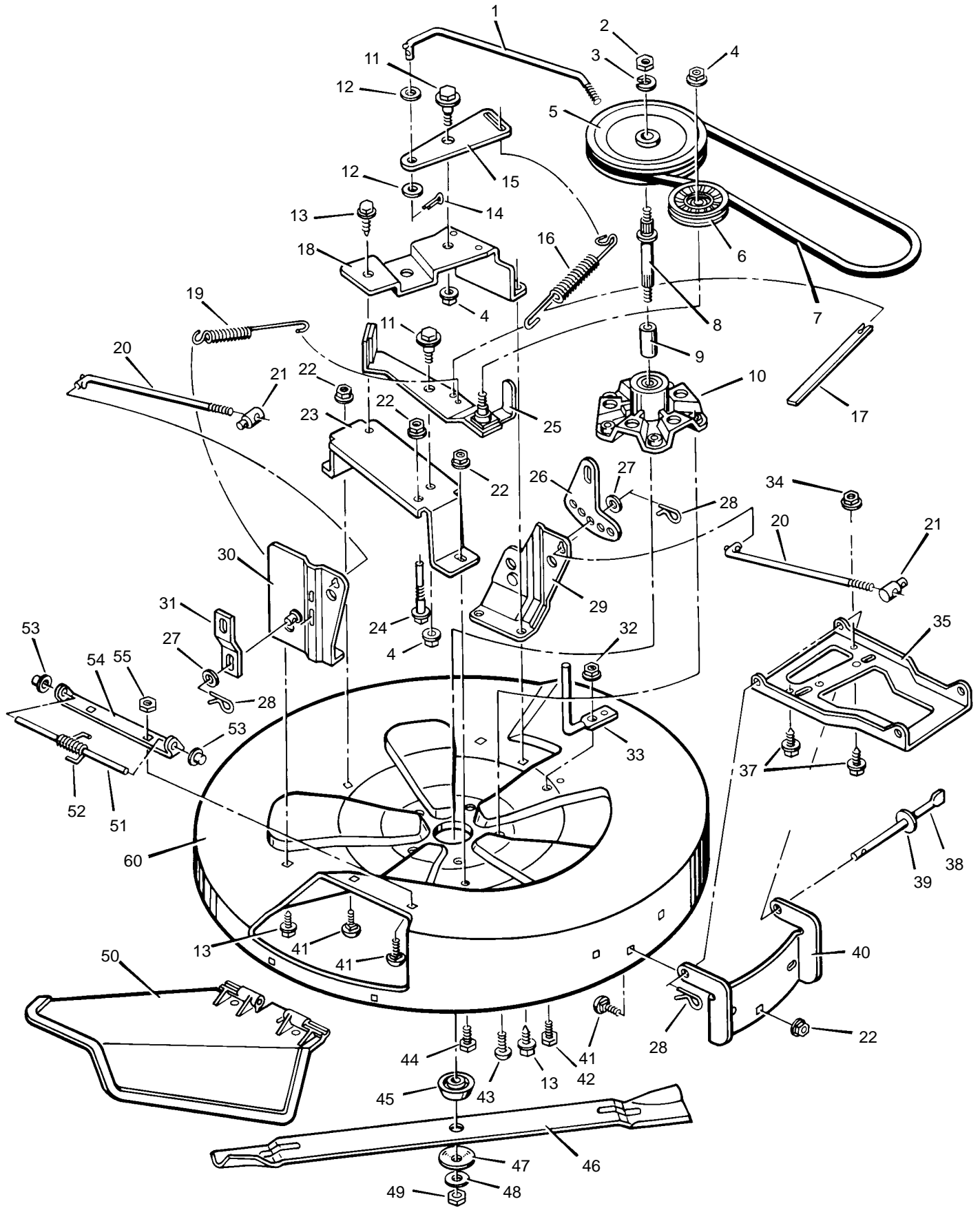
MODEL CODE143P

FACTORY MODEL NO. 31720x11B MOWER HOUSING SUSPENSION

Key No.	Description	Part No.
1	Grip	92698
2	Control, Blade Rotation	91781Z
3	Bolt, Hex	25x3
4	Locknut, Hex	15x67
5	Lever Assembly, Switch	91917E700
6	Bolt, Carriage	2x53
7	Spring, Torsion	166x32
8	Bracket, Rear Hanger	92066E700
9	Nut, Flange	15x79
10	Nut, Adjusting	92131
10	Nut, Adjusting	92132
11	Bracket, Adjuster Rod	92133E700
12	Washer	17x124
13	Pin, Hair	31x4
14	Washer	17x122
15	Pin, Pull	90827Z
17	Lever, Lower Blade Control	91787E700
18	Rod, Blade Control	92283Z
19	Plate, Adjuster	91741E700
20	Washer	17x103
22	Lifter Assembly	92705E700
23	Button, Push	92572
24	Grip	92783
25	Spring, Compression	164x21
26	Handle Assembly	91823E700
27	Screw	26x49
28	Link, Suspension	92064E700
30	Washer	17x91Z
31	Cover, Lift Lever (Optional)	92157
32	Screw	26x263
33	Nut, Adjusting	21920

MODEL CODE143P

FACTORY MODEL NO. 31720x11B MOWER HOUSING



MODEL CODE143P**FACTORY MODEL NO. 31720x11B
MOWER HOUSING**

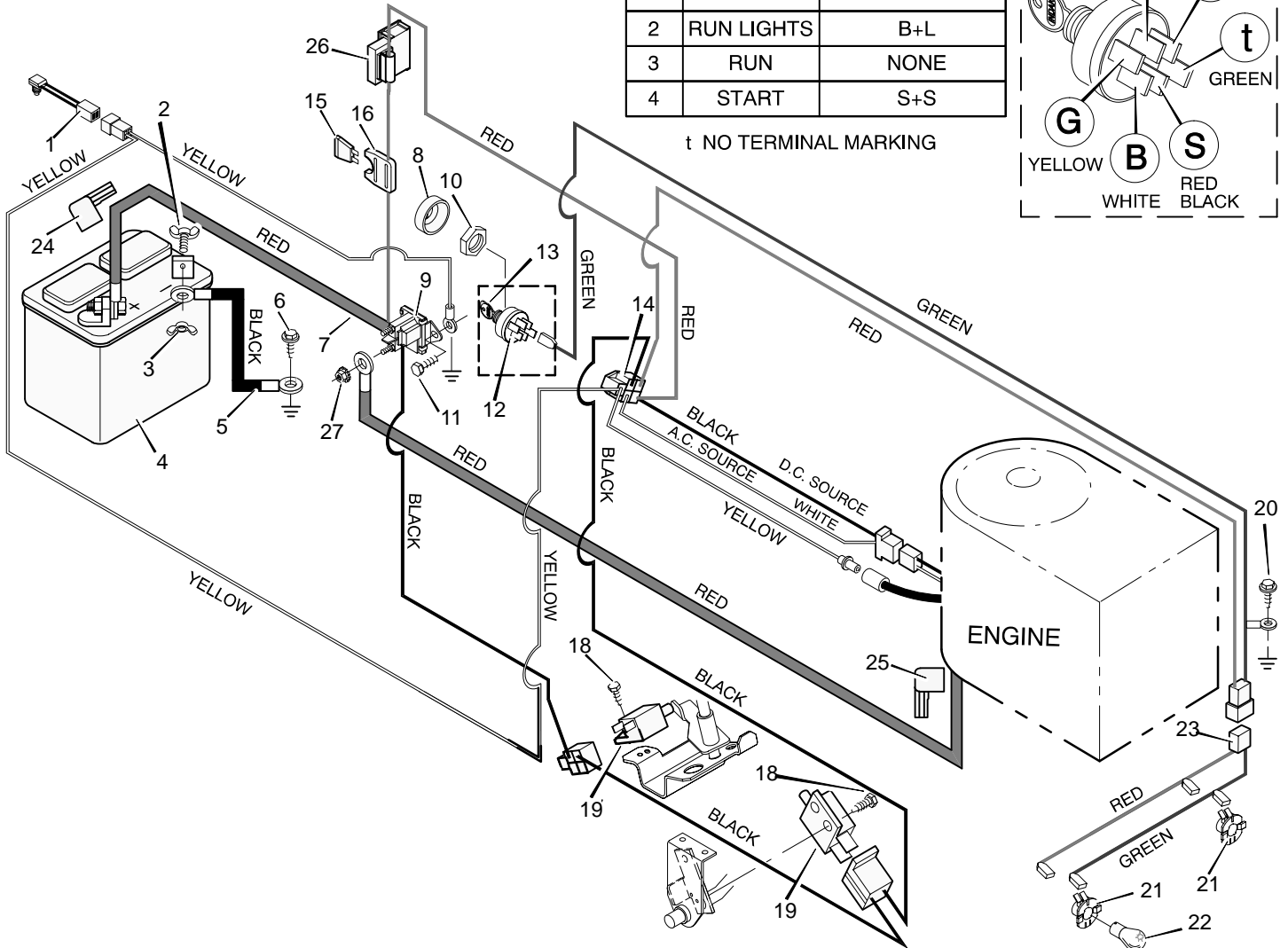
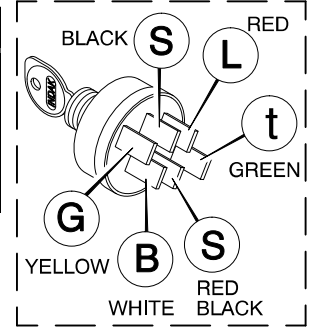
Key No.	Description	Part No.	Key No.	Description	Part No.
1	Rod, PTO	92283Z	30	Bracket Assembly, Right Lifter	92205E700
2	Locknut	15x100	31	Link	92064E700
3	Lockwasher	18x33	32	Nut, Flange	15x68
4	Locknut, Flange	15x84	33	Guide, Belt	91797E700
5	Pulley, Splined	91951	34	Nut, Hex	15x82
6	Pulley, Idler	91801	35	Hanger, Front	92202E700
7	Belt, Mower Drive	37x74	37	Screw	25x4
8	Mandrel	91922	38	Rod, Hanger	92273Z
9	Spacer	91903	39	Washer	17x57
10	Housing, Mandrel	55962	40	Bracket, Front Hanger	92203E700
11	Bolt, Shoulder	9x39	41	Bolt, Carriage	2x53
12	Washer	17x46Z	42	Bolt	1x85
13	Screw	26x249	43	Screw	26x216
14	Pin, Cotter	30x20	44	Bolt	1x45
15	Bracket, Pivot	92209E700	45	Adapter, Blade	92466
16	Spring, Extension	165x91	46	Blade	55793E701
17	Indicator, Plastic	92163	47	Washer, Belleville	17x166
18	Support, Pivot Bracket	92208E700	48	Washer	17x165
19	Spring, Extension	165x90	49	Nut, Hex	15x100
20	Rod, Adjusting	91748Z	50	Deflector, Chute	55971
21	Nut, Adjustable	92131	51	Rod, Deflector	21197Z
22	Nut, Flange	15x79	52	Spring, Torsional	166x4
23	Support, Idler Arm	92211E700	53	Cap, Push On	28x23
24	Guide, Belt	20619	54	Hinge, Deflector	56213E700
25	Arm Assembly, Idler	92221	55	Locknut	15x43
26	Plate, Adjusting	91741E700	57	Bolt, Carriage	2x64
27	Washer	17x103Z	58	Wingnut	14x83
28	Pin, Hair	31x4	1-60	Mower Housing, Complete	403344
29	Bracket Assembly, Left Lifter	92207E700			

MODEL CODE143P ELECTRICAL SYSTEM

FACTORY MODEL NO. 31720x11B

POS.	FUNCTION	CIRCUIT (MAKE)
1	OFF	G+t
2	RUN LIGHTS	B+L
3	RUN	NONE
4	START	S+S

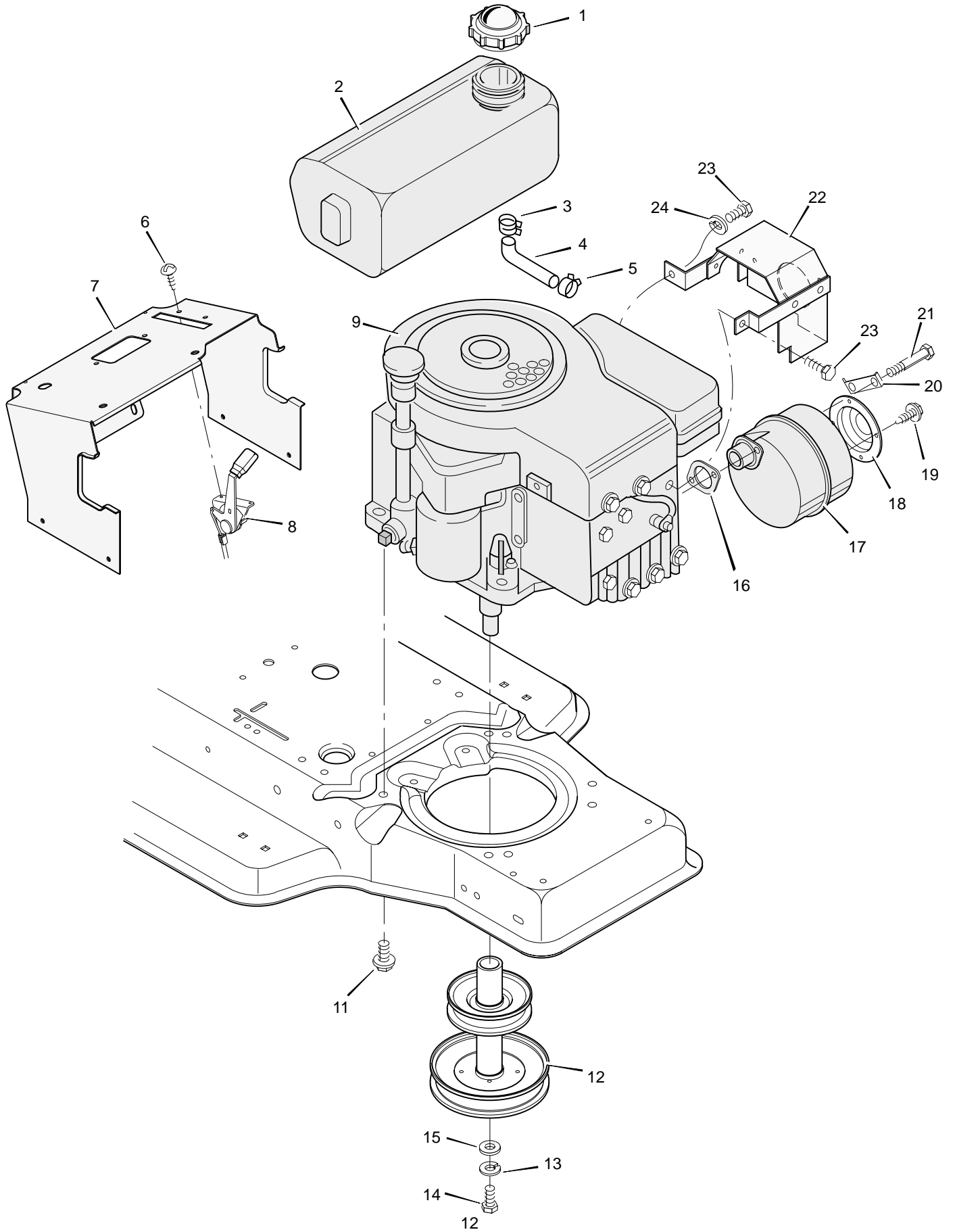
t NO TERMINAL MARKING



Key No.	Description	Part No.	Key No.	Description	Part No.
1	Switch, Seat Sensor	91031	14	Harness, Chassis Wire	250x50
2	Bolt	6x99	15	Fuse	54212
3	Wingnut	14x79	16	Holder, Fuse	407078
4	Battery	91414	18	Screw	26x233
—	Acid, Battery (Electrolyte)	55702	19	Switch, Clutch	24273
5	Cable, Battery Ground	24x9	20	Screw	25x2
6	Screw	26x249	21	Socket, Light	92372
7	Cable, Red Battery	24x29	22	Bulb, Light	90084
8	Cap, Ignition	91488	23	Harness, Light Wire	250x40
9	Solenoid	24285	24	Cover, Terminal	54148
10	Nut	91489	25	Cover, (Optional)	24196
11	Screw	26x214	26	Ammeter	93156
12	Switch, Ignition	92377	27	Locknut	15x116
13	Key, Ignition	20729			

MODEL CODE143P

**FACTORY MODEL NO. 31720x11B
ENGINE MOUNT**



MODEL CODE143P

FACTORY MODEL NO. 31720x11B ENGINE MOUNT

Key No.	Description	Part No.
1	Fuel Cap	92317
2	Fuel Tank	92342
3	Hose Clamp	95197
4	Fuel Line	23717
5	Hose Clamp	95197
6	Screw	26x201
7	Support, Dash	92331E700
8	Throttle Control	92371
9	Engine*	—
11	Bolt, Engine Mount	25x7
12	Stack Pulley Assembly	92318 Z
13	Lockwasher	19x35
14	Bolt, Hex	1x140
15	Washer	17x170
16	Gasket	91309
17	Muffler	91271
18	Deflector, Muffler	23740Z
19	Screw	26x208
20	Lock, Screw	92378
21	Bolt	1x134
22	Shield, Heat	92381 SE
23	Bolt	25x2
24	Washer	18x32

* Parts are available from an Authorized Service Center. See "Engines, Gasoline" or "Gasoline Engines" in the yellow pages of the telephone directory.