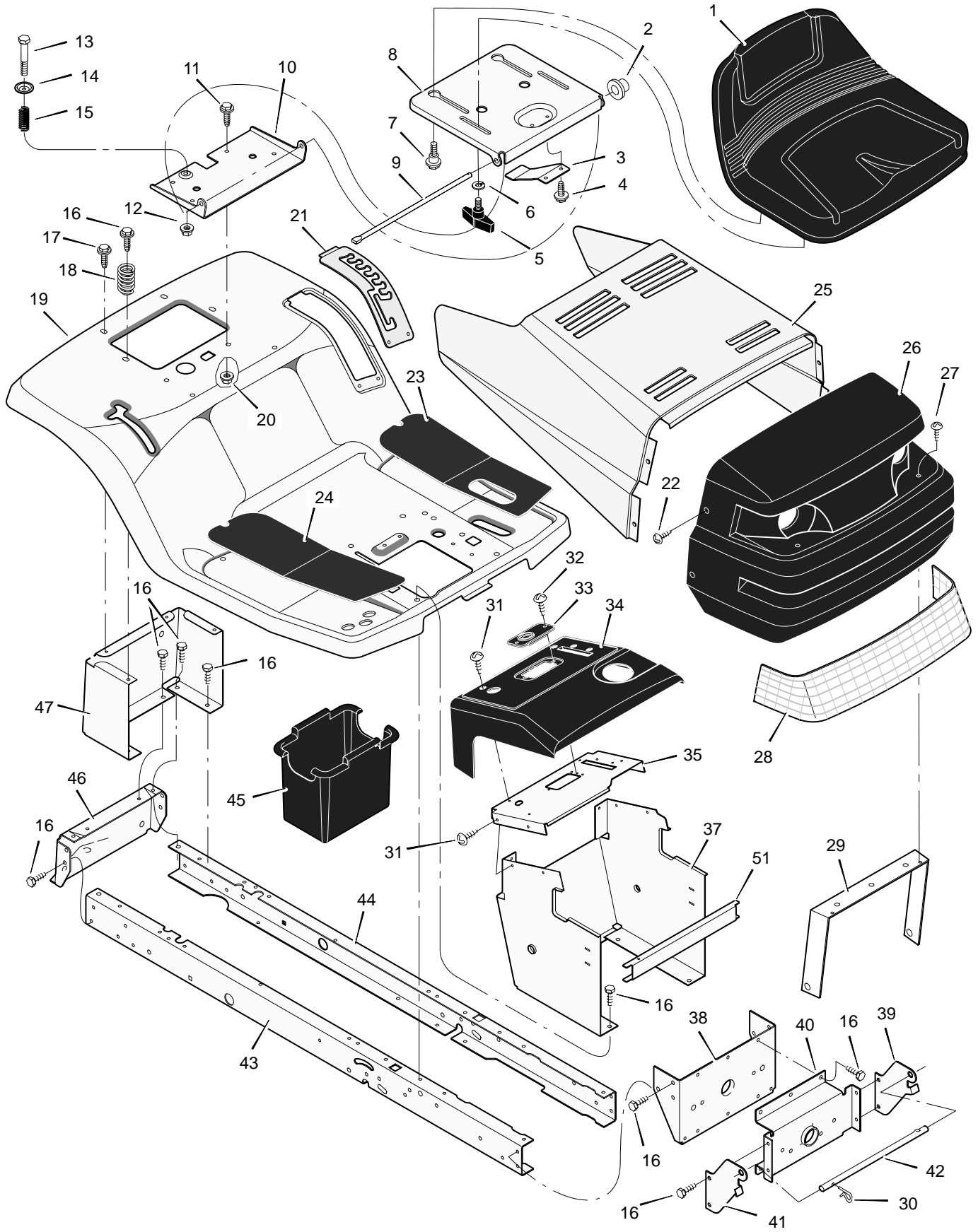


MODEL 31200x11A

REPAIR PARTS CHASSIS & HOOD



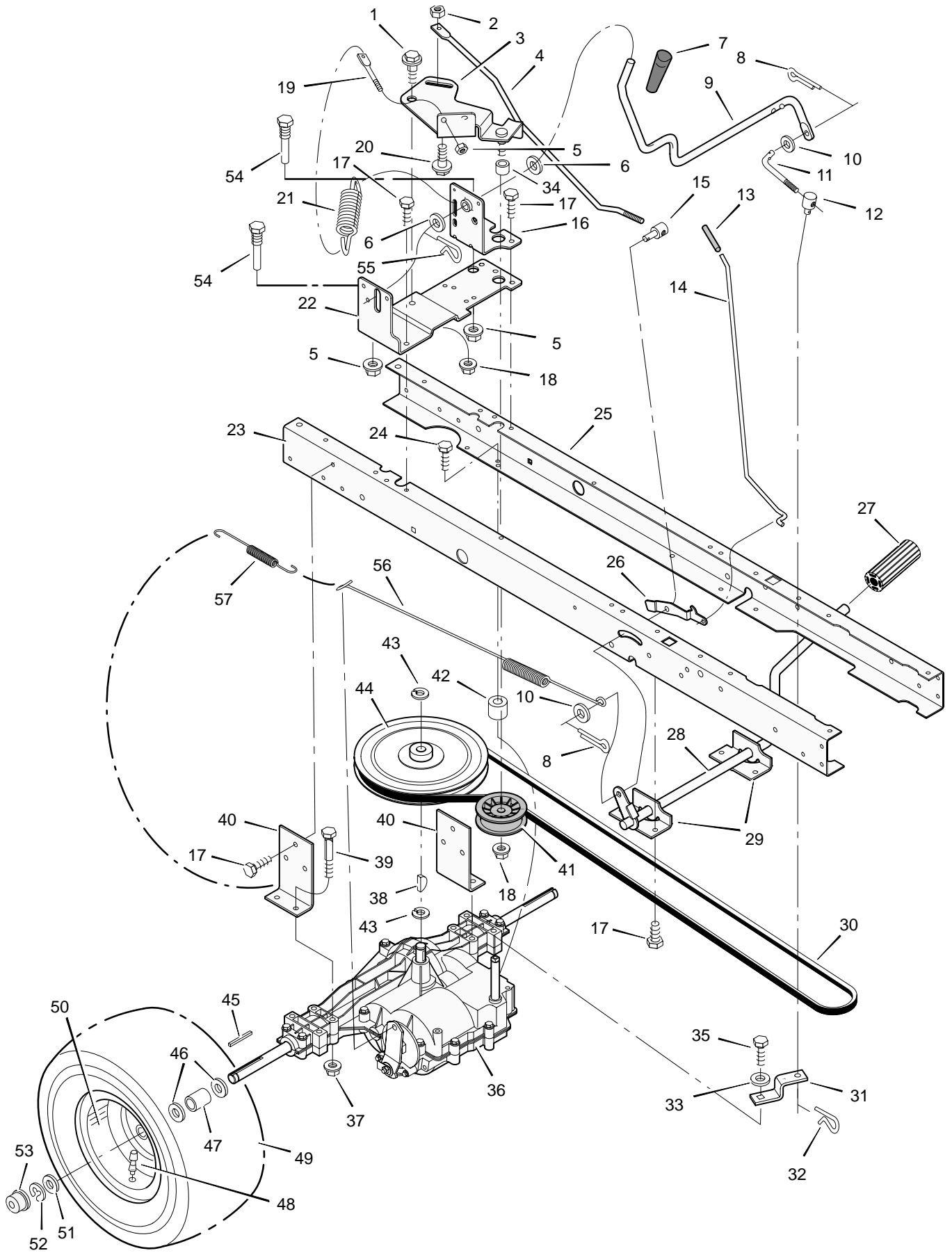
MODEL 31200x11A

REPAIR PARTS CHASSIS & HOOD

Key No.	Description	Part No.	Key No.	Description	Part No.
1	Seat	94162	28	Lens	92344
2	Cap, Push On	28x23	29	Brace, Grille	92448
3	Spring	94057	30	Pin, Hair	31x4
4	Screw	26x229	31	Screw	26x270
5	Bolt, Wing	94160	32	Screw	26x239
6	Washer	17x47 Z	33	Bearing, Steering	94214
7	Bolt, Shoulder	9x56	34	Dash	94218E700
8	Support, Seat	94154E700	35	Plate, Dash	94211E700
9	Rod, Pivot	94156 Z	36	Panel, Access	93007E700
10	Bracket, Pivot	94153E700	37	Support, Dash	95323E700
11	Bolt	1x45	38	Bracket, Rear Hanger	94013E700
12	Nut	15x89	39	Support, Left Grille	94213E700
13	Bolt, Shoulder	9x55	40	Axle, Hanger	94007E700
14	Washer	94155 Z	41	Support, Right Grille	94212E700
15	Spring	164x31	42	Rod, Pivot	92332 Z
16	Screw	26x249	43	Frame, Right	960206E700
17	Screw	26x263	44	Frame, Left	960207E700
18	Spring	164x30	45	Container, Battery	690424
19	Deck, Seat	95249E549	46	Plate, Hitch	94002E700
20	Nut	15x88	47	Panel, Rear	690434E700
21	Plate, Index	94829E700	51	Channel	94215E700
22	Screw	9x47	—	Decal, Right Hood	44x7762
23	Mat, Left	94999	—	Decal, Left Hood	44x7763
24	Mat, Right	94998	—	Decal, Shifter	44x7715
25	Hood	92333E549	—	Decal, Warning	44x7325
26	Grille Assembly (Includes Lens)	92350E700	—	Instruction Book and Parts List	F-99763
27	Screw	26x239			

MODEL 31200x11A

REPAIR PARTS MOTION DRIVE



MODEL 31200x11A

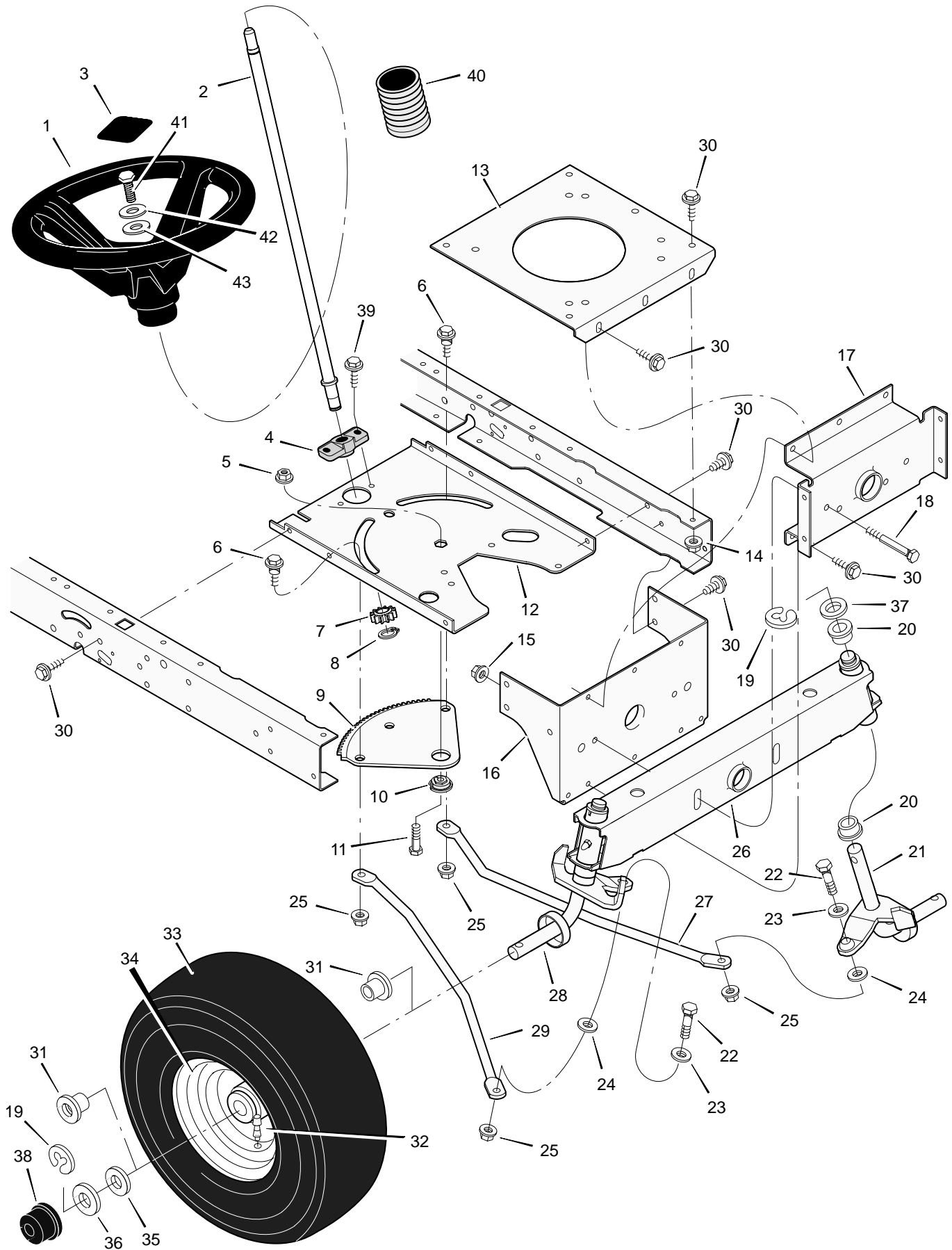
REPAIR PARTS MOTION DRIVE

Key No.	Description	Part No.	Key No.	Description	Part No.
1	Bolt, Shoulder	9x39	30	Belt, Motion Drive	37x87
2	Nut, Hex	15x89	31	Yoke, Shift	94031Z
3	Arm, Idler	690273	32	Pin, Hair	31x6
4	Rod, Clutch	94041 Z	33	Washer	17x148
5	Nut	15x79	34	Spacer	690369
6	Washer	17x102	35	Bolt	6x105
7	Grip	92697	36	Transaxle	—
8	Pin, Cotter	30x20	37	Nut	15x88
9	Lever, Shift	94043 Z	38	Key, Woodruff	20697
10	Washer	17x47 Z	39	Bolt	1x155
11	Link, Shift	94044 Z	40	Bracket, Transaxle	94008E700
12	Nut, Adjuster	21920	41	Pulley	690409
13	Grip	91079	42	Spacer	94132
14	Rod, Parking Brake	95005 Z	43	E-Ring	11x7
15	Nut, Adjuster	94815	44	Pulley, Drive	95094
16	Bracket, Shift	94034E700	45	Key, Square	21553
17	Screw	26x249	46	Washer	17x160
18	Nut	15x84	47	Spacer, Transaxle	87x105 Z
19	Mount, Stud Spring	94042 Z	48	Stem, Valve	24373
20	Bolt, Shoulder	9x54	49	Tire *	776114
21	Spring, Extension	165x116	—	Tube	407049
22	Bracket, Shifter	690166E700	50	Wheel & Tire Assembly	690376-601
23	Frame, Right	690206E700	51	Washer	17x195
24	Screw	25x12	52	E-Ring	11x3
25	Frame, Left	690207E700	53	Hub Cap	94618
26	Latch, Parking Brake	94045 Z	54	Guide, Belt	93349
27	Pedal	21544	55	Pin, Hair	31x4
28	Lever, Brake/Clutch	94038E700	56	Spring, Extension	165x141
29	Bracket, Pedal	94035E700	57	Spring, Extension	165x92

* When you order a tire, make sure to give the brand name of the tire so that the tread pattern on the tire will match.

MODEL 31200x11A

REPAIR PARTS STEERING



MODEL 31200x11A

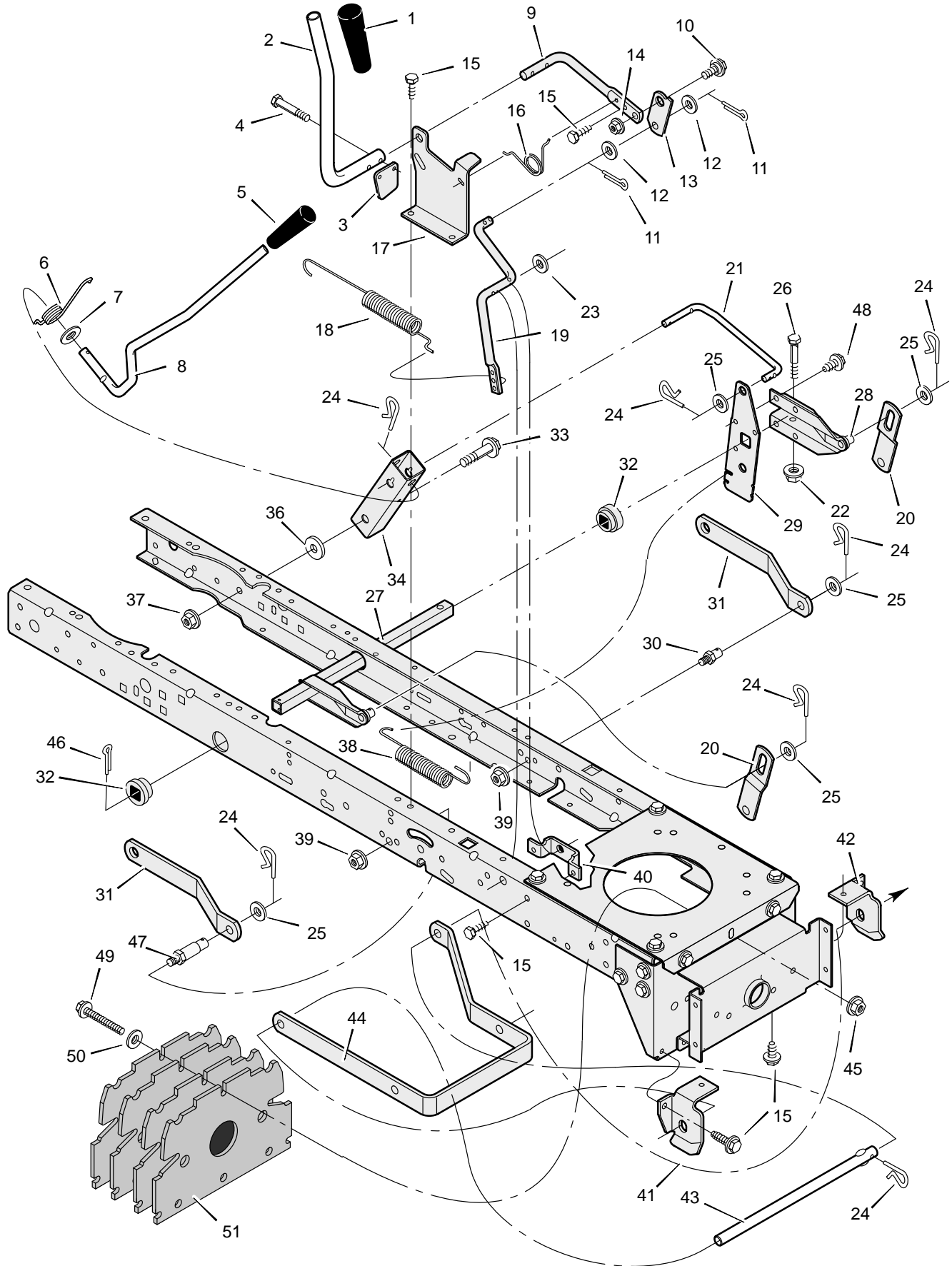
REPAIR PARTS STEERING

Key No.	Description	Part No.	Key No.	Description	Part No.
1	Wheel, Steering	95336	23	Washer	17x104
2	Post, Steering	94520	24	Washer	17x53 Z
3	Insert, Steering Wheel	95338	25	Nut, Flange	15x84
4	Bearing	94124	26	Axle Assembly	690210E700
5	Nut, Flange	15x113	27	Drag Link, Left	95329E700
6	Bolt, Shoulder	9x57	28	Spindle Assembly, Right	95182E700
7	Gear, Pinion	94122E700	29	Drag Link, Right	95328E700
8	Ring, Snap	11x25	30	Screw	26x249
9	Gear, Sector	94121E700	31	Bearing, Wheel	91334
10	Bearing	94123	32	Stem, Valve	24373
11	Bolt	1x84	33	Tire *	90594
12	Plate, Steering	690167E700	—	Tube	407046
13	Plate, Engine	94006E700	34	Wheel and Tire Assembly	690377-601
14	Nut, Flange	15x88	35	Washer	17x195
15	Nut, Flange	15x118	36	Washer	17x113
16	Bracket, Hanger	94013E700	37	Washer	17x83
17	Axle, Hanger	94007E700	38	Hub Cap	94618
18	Bolt	1x146	39	Screw	26x267
19	E-ring	11x3	40	Bellows	92059
20	Bearing	690150	41	Bolt	1x158
21	Spindle Assembly, Left	95183E700	42	Lockwasher	18x32
22	Bolt	1x111	43	Washer	17x146 Z

* When you order a tire, make sure to give the brand name of the tire so that the tread pattern on the tire will match.

MODEL 31200x11A

REPAIR PARTS MOWER HOUSING SUSPENSION



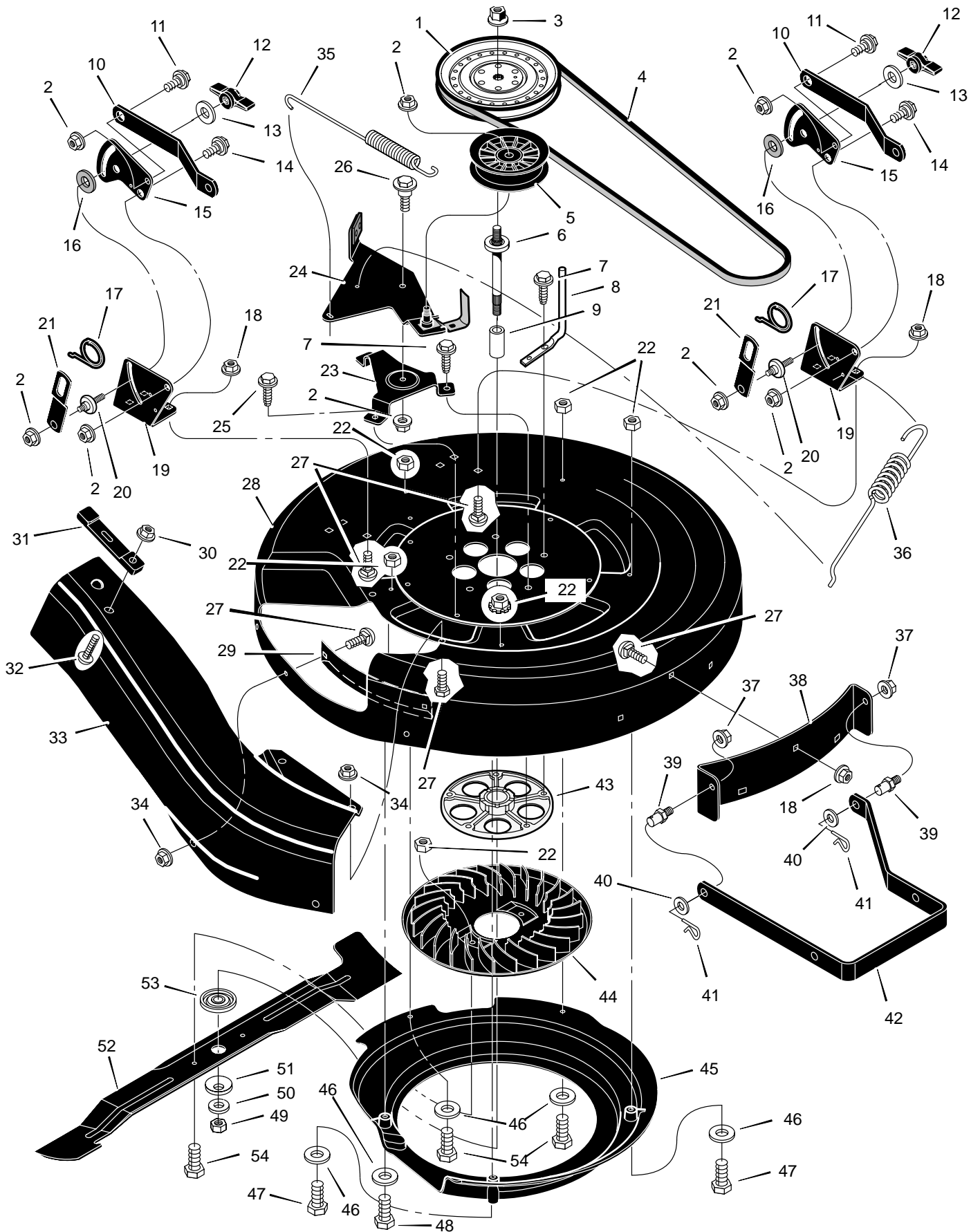
MODEL 31200x11A

REPAIR PARTS MOWER HOUSING SUSPENSION

Key No.	Description	Part No.	Key No.	Description	Part No.
1	Grip	92698	26	Bolt, Hex	1x74
2	Handle	94157 Z	27	Arm Assembly, Right Lift	690386E700
3	Pad, Switch	94022 Z	28	Arm, Right Lift	94180E700
4	Bolt	25x3	29	Plate, Lift Arm	94030E700
5	Grip	92697	30	Pin	94067
6	Spring	166x40	31	Bracket, Rear Suspension	94055E700
7	Washer	17x103	32	Bushing, Lift Tube	94065
8	Lever, Lift	94195 Z	33	Bolt, Shoulder	9x53
9	Lever, PTO	94017 Z	34	Bracket, Pivot	94015E700
10	Bolt, Shoulder	9x39	36	Washer	17x191
11	Pin, Cotter	30x20	37	Nut, Flange	15x84
12	Washer	17x102	38	Spring	165x117
13	Link, PTO	94004 Z	39	Nut, Flange	15x68
14	Nut, Flange	15x84	40	Bracket, PTO	94005E700
15	Screw	26x249	41	Hanger, Right Deck	94026E700
16	Spring	166x39	42	Hanger, Left Deck	94027E700
17	Bracket, PTO	94018E700	43	Rod, Hanger	94158Z
18	Spring	165x116	44	Hanger, Front	690381E700
19	Crank, PTO	690394E700	45	Nut, Flange	15x89
20	Link, Lift	94053E700	46	Pin, Cotter	30x49
21	Link, Lift Handle	94028E700	47	Pin, Threaded Shoulder	690382
22	Nut, Flange	15x118	48	Screw	26x49
23	Washer	17x57	49	Bolt, Hex	1x106
24	Pin, Hair	31x4	50	Washer	17x38
25	Washer	17x91 Z	51	Plate, Weight	690370E700

MODEL 31200x11A

REPAIR PARTS MOWER HOUSING



MODEL 31200x11A

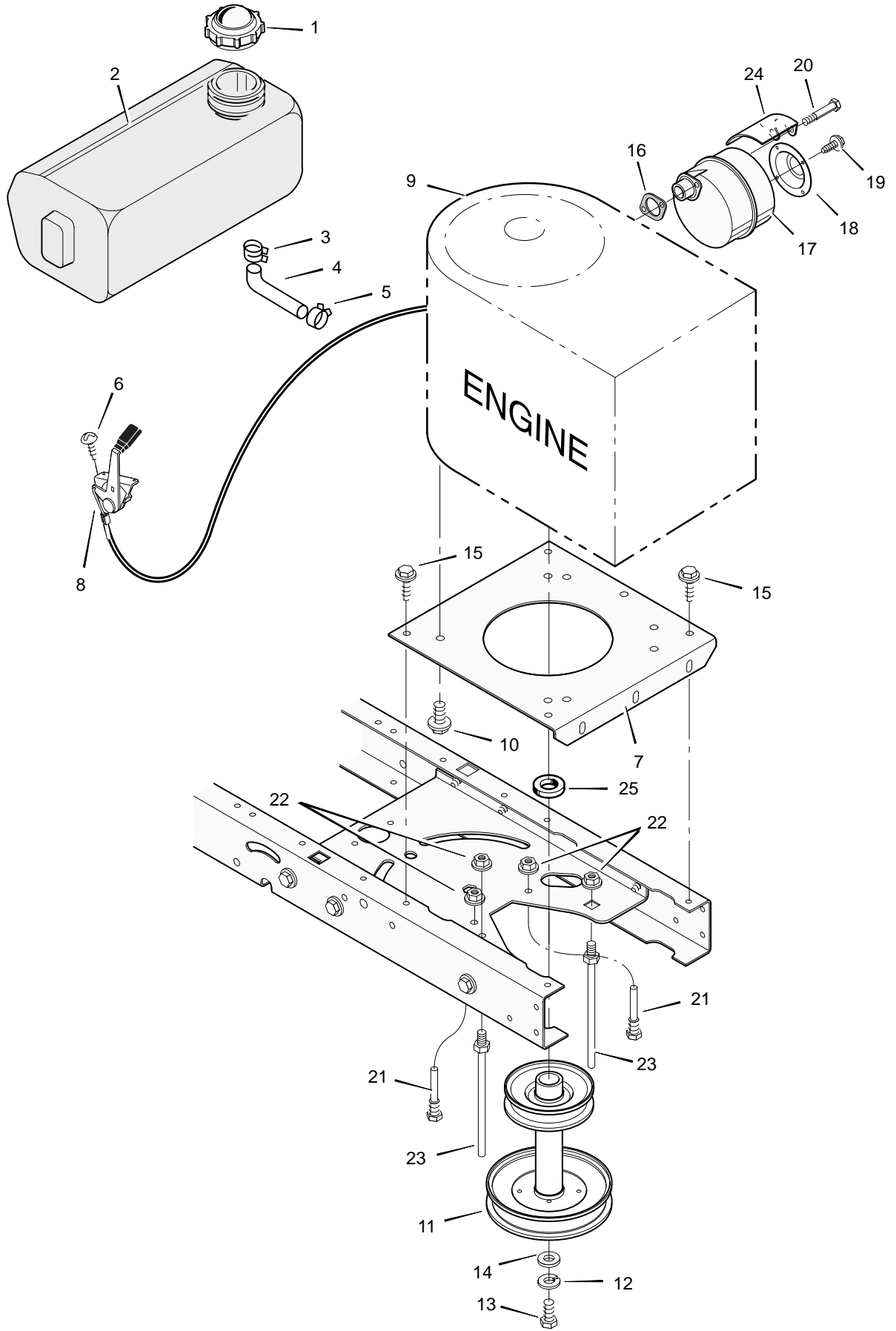
REPAIR PARTS MOWER HOUSING

Key No.	Description	Part No.	Key No.	Description	Part No.
1	Pulley	690432	29	Baffle	690399E700
2	Nut, Flange	15x84	30	Nut, Flange	15x89
3	Nut	15x121	31	Strap, Rubber	54695
4	Belt, Blade	37x74	32	Screw	4x71
5	Pulley, Idler	690387	33	Extension, Chute	690367
6	Mandrel	94129	34	Nut	15x88
7	Screw	25x7	35	Spring, PTO	165x118
8	Guide, Belt	92424	36	Spring, Extension	165x140
9	Spacer	94130	37	Nut, Flange	15x68
10	Bracket, Rear Suspension	94055E700	38	Bracket, Front Deck	690380E700
11	Bolt, Shoulder	9x52	39	Pin, Threaded Shoulder	94067
12	Knob	94068	40	Washer	17x91
13	Washer	17x45	41	Pin, Hair	31x4
14	Bolt, Shoulder	9x51	42	Hanger, Front	690381E700
15	Plate, Suspension	690379E700	43	Housing, Jackshaft	94305
16	Pad, Friction	94137	44	Fan, Assist	690359
17	Spring	166x43	45	Housing, Fan	690360
18	Nut, Flange	15x79	46	Washer	17x37
19	Bracket, Rear Deck	690378E700	47	Bolt	1x94
20	Pin, Hanger	95194	48	Bolt	1x90
21	Link, Lift	94053	49	Nut	15x100
22	Nut	15x116	50	Washer	17x165
23	Bracket, Idler Arm	690427E700	51	Washer, Belleville	17x166
24	Assembly, Idler Arm & Pad	690454	52	Blade	690398E701
25	Screw	26x249	53	Adapter, Blade	92466
26	Bolt, Shoulder	9x39	54	Bolt	1x121
27	Bolt, Carriage	2x53	1-54	Blade Housing, Complete	776110
28	Housing, Blade *	_____			

* Includes Key No.

MODEL 31200x11A

REPAIR PARTS ENGINE MOUNT



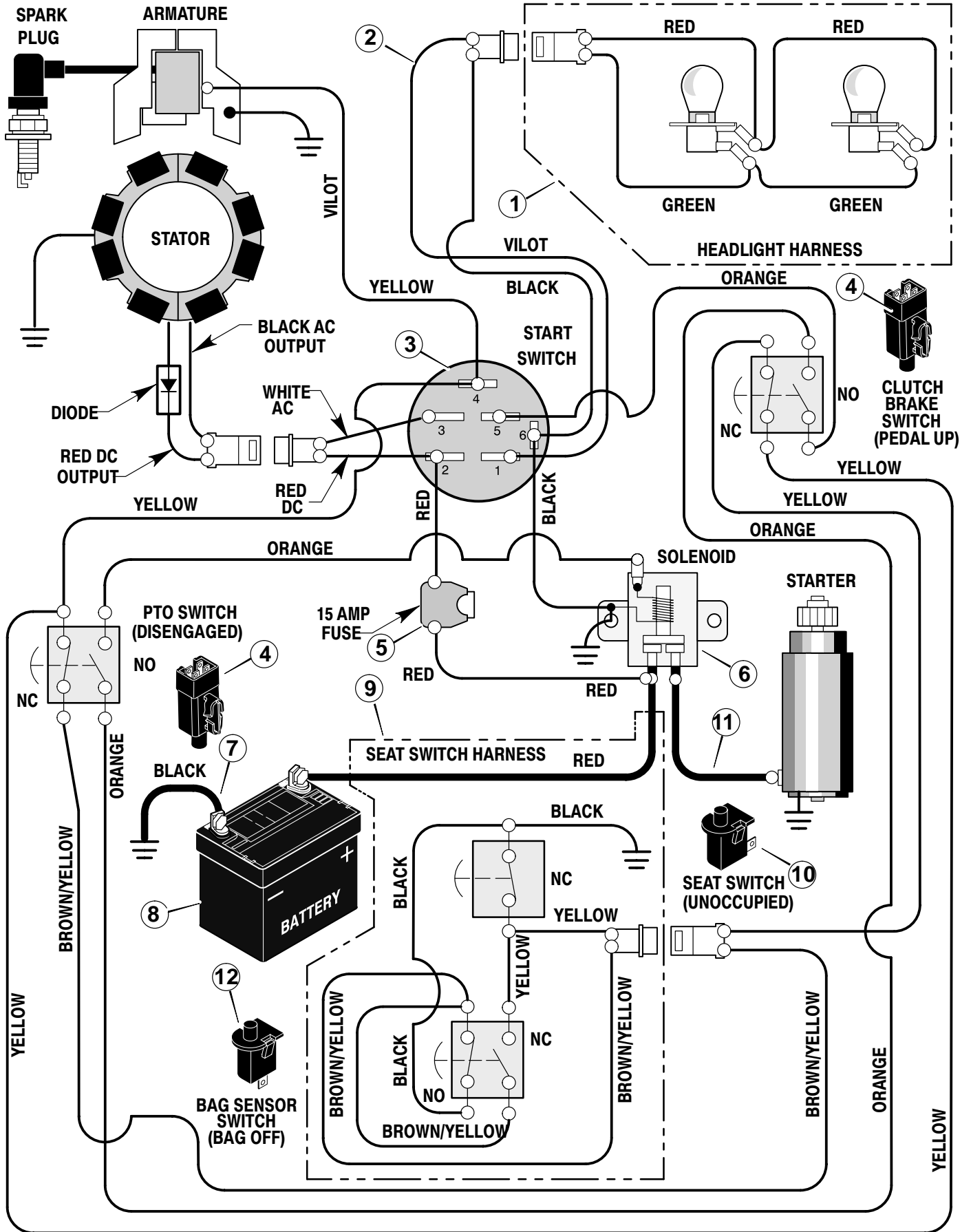
MODEL 31200x11A

REPAIR PARTS ENGINE MOUNT

Key No.	Description	Part No.
1	Fuel Cap	92317
2	Fuel Tank	92342
3	Hose Clamp	95197
4	Fuel Line	23717
5	Hose Clamp	95197
6	Screw	26x201
7	Plate, Engine	94006E700
8	Throttle Control	92371
9	Engine	—
10	Bolt, Engine Mount	25x7
11	Stack Pulley Assembly	690439 Z
12	Lockwasher	19x35
13	Bolt, Hex	1x140
14	Washer	17x170
15	Screw	26x249
16	Gasket	91309
17	Muffler	91271
18	Deflector, Muffler	23740 Z
19	Screw	26x208
20	Bolt, Hex	1x134
21	Guide, Belt	93349
22	Nut, Flange	15x79 Z
23	Guide, Belt	94066
24	Shield, Heat	690293
25	Spacer	93077

MODEL 31200x11A

REPAIR PARTS ELECTRICAL SYSTEM



MODEL 31200x11A

REPAIR PARTS ELECTRICAL SYSTEM

Key No.	Description	Part No.
1	Harness, Light Wire	250x92
	Socket, Light	92372
	Bulb, Light	90084
2	Harness, Chassis Wire	250x93
3	Switch, Ignition	92377
	Key, Ignition	20729
	Nut, Hex	91489
	Cap, Ignition	91488
4	Switch, Limit	94136
5	Fuse	54212
	Holder, Fuse	407078
6	Solenoid	94613
	Screw, Mounting	26x229
	Locknut	15x116
7	Cable, Battery Ground	24x32
	Screw, Ground Cable	26x213
8	Battery	21075
	Bolt, Carriage	2x82
	Wingnut	14x79
9	Harness, Seat Switch Wire	250x94
10	Switch, Seat Sensor	94159
11	Cable	24x31
12	Switch, Bag Sensor	690106