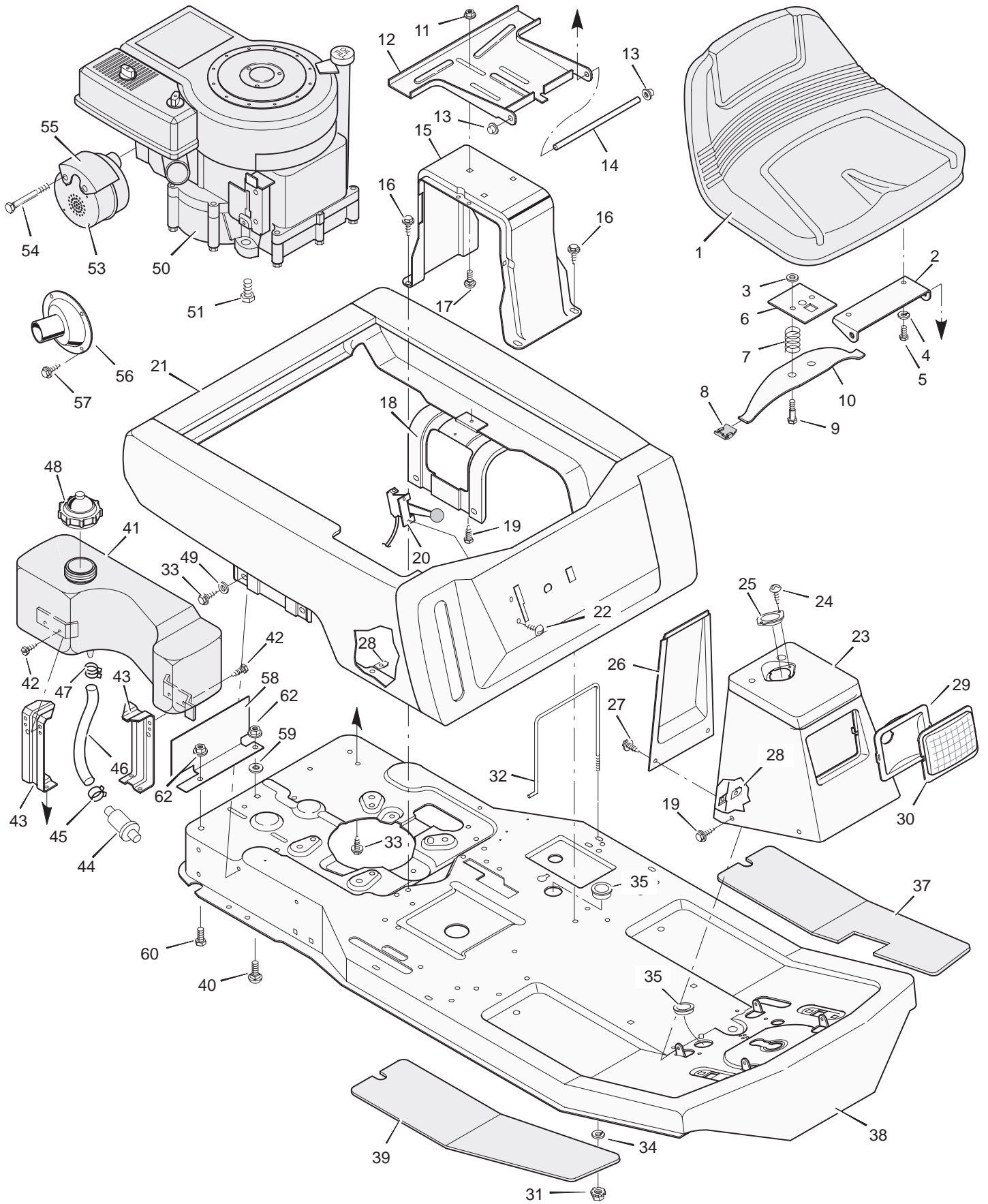


# MODEL 30560x50C

# REPAIR PARTS BODY CHASSIS



# MODEL 30560x50C

# REPAIR PARTS BODY CHASSIS

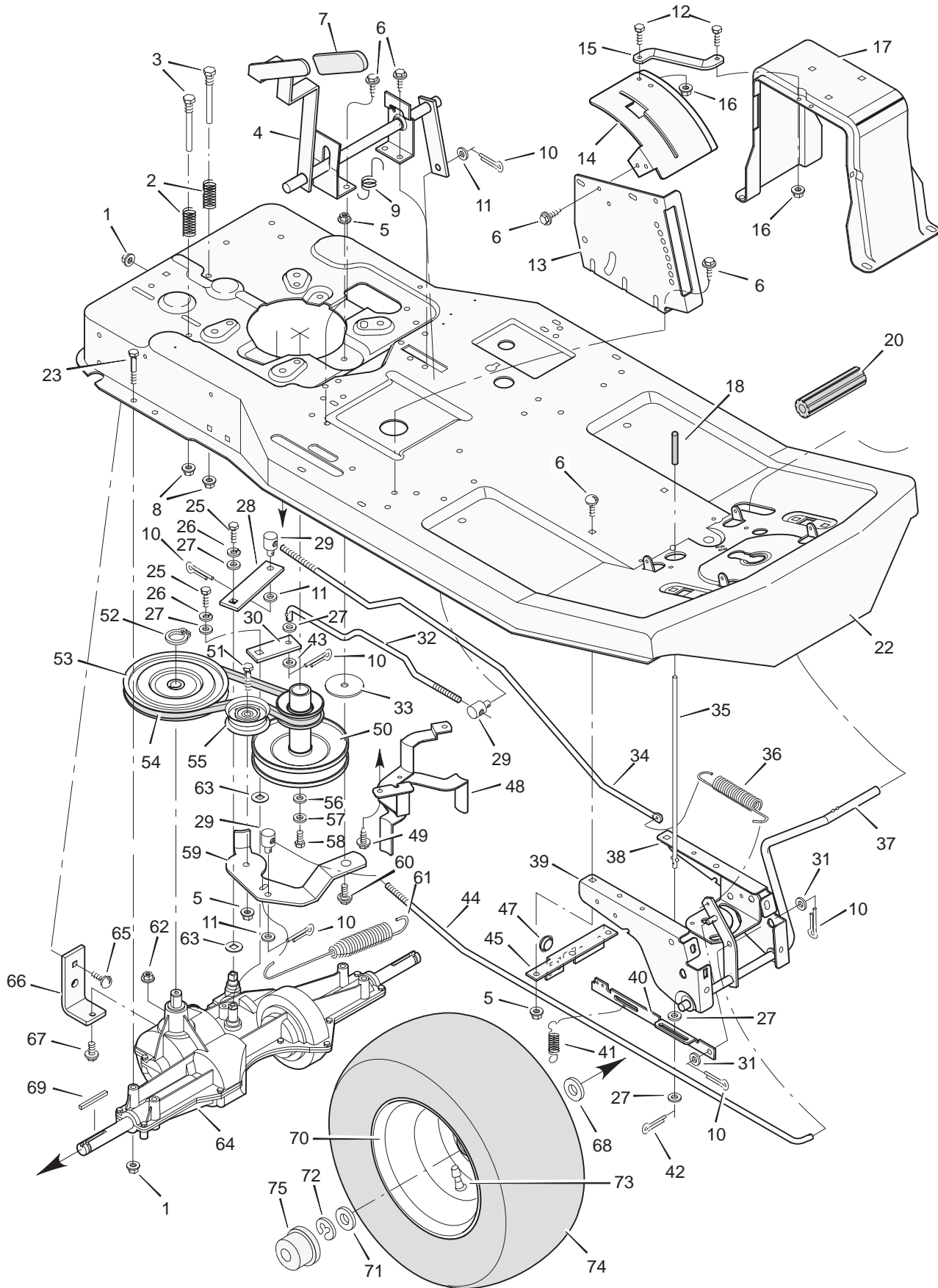
| Key No. | Description            | Part No.  | Key No. | Description                   | Part No.  |
|---------|------------------------|-----------|---------|-------------------------------|-----------|
| 1       | Seat                   | 54784     | 33      | Screw                         | 26x49     |
| 2       | Hinge, Seat            | 56516E700 | 34      | Washer                        | 17x38     |
| 3       | Retainer               | 28x64     | 35      | Grommet                       | 21268     |
| 4       | Lockwasher             | 18x16     | 37      | Mat, Left                     | 56107     |
| 5       | Bolt, Hex              | 1x45      | 38      | Frame Assembly                | 56611E700 |
| 6       | Plate, Seat Switch     | 91963     | 39      | Mat, Right                    | 56106     |
| 7       | Spring, Compression    | 164x26    | 40      | Bolt, Carriage                | 2x53      |
| 8       | Glide, Seat Spring     | 91822     | 41      | Tank, Fuel                    | 55805     |
| 9       | Bolt, Shoulder         | 9x38      | 42      | Screw                         | 26x213    |
| 10      | Spring, Seat           | 91964     | 43      | Bracket, Fuel Tank            | 55806E700 |
| 11      | Locknut, Flange        | 15x88     | 44      | Filter, Fuel                  | 56002     |
| 12      | Bracket, Seat Pivot    | 56518E700 | 45      | Clamp                         | 91174     |
| 13      | Cap, Push On           | 28x23     | 46      | Line, Fuel                    | 91022     |
| 14      | Rod, Seat Hinge        | 56537 Z   | 47      | Clamp                         | 23713     |
| 15      | Support, Seat          | 56517E700 | 48      | Cap, Fuel                     | 92317     |
| 16      | Screw                  | 26x249    | 49      | Washer                        | 19x6      |
| 17      | Bolt, Carriage         | 2x53      | 50      | Engine                        | ‡         |
| 18      | Support, Body *        | 55017E700 | 51      | Bolt, Engine Mount            | 25x7      |
| 19      | Screw                  | 26x214    | 53      | Muffler                       | 90330     |
| 20      | Throttle Control       | 56599     | 54      | Bolt                          | 1x118     |
| 21      | Body                   | 54766E245 | 55      | Shield, Heat                  | 90332     |
| 22      | Screw                  | 26x201    | 56      | Deflector, Exhaust            | 92144     |
| 23      | Console Assembly       | 56570E245 | 57      | Screw                         | 26x208    |
| 24      | Screw                  | 26x201    | 58      | Shield, Heat                  | 56636E700 |
| 25      | Bearing, Steering Post | 56022     | 59      | Washer                        | 28x64     |
| 26      | Console, Plate         | 55023E700 | 60      | Bolt                          | 1x91      |
| 27      | Screw                  | 4x24      | 62      | Locknut, Flange               | 15x76     |
| 28      | J-Nut                  | 28x18     | –       | Instruction Book & Parts List | F-99607   |
| 29      | Reflector              | 56241 Z   | –       | Decal, Right Panel            | 44x7718   |
| 30      | Lens                   | 90082     | –       | Decal, Left Panel             | 44x7719   |
| 31      | Locknut                | 15x66     | –       | Decal, Front Console          | 44x6656   |
| 32      | Clamp, Battery         | 54800 Z   | –       | Decal, Warning                | 44x6816   |

\* Also included with Key No. 21.

‡ Parts are available from a Authorized Engine Service Center. See "Engines, Gasoline" or "Gasoline Engines" in the yellow pages of the telephone directory

# MODEL 30560x50C

# REPAIR PARTS MOTION DRIVE



# MODEL 30560x50C

# REPAIR PARTS MOTION DRIVE

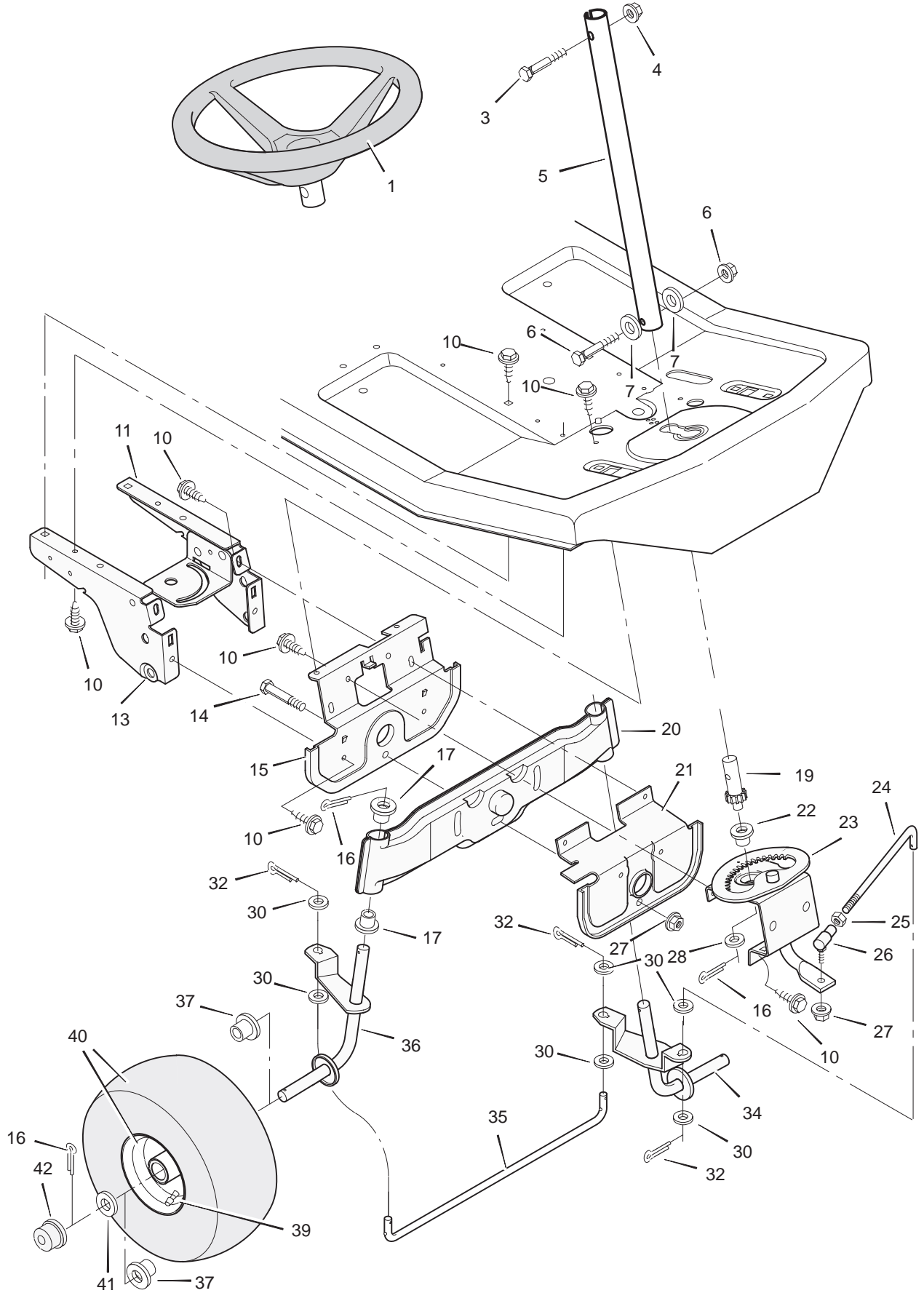
| Key No. | Description             | Part No.  | Key No. | Description                  | Part No.  |
|---------|-------------------------|-----------|---------|------------------------------|-----------|
| 1       | Locknut, Flange         | 15x88     | 40      | Link, Parking Brake          | 56565 Z   |
| 2       | Spring, Compression     | 164x1     | 41      | Spring, Extension            | 165x107   |
| 3       | Guide, Belt             | 55826     | 42      | Pin, Cotter                  | 30x50     |
| 4       | Shifter Assembly        | 56610E701 | 43      | Washer                       | 17x46 Z   |
| 5       | Locknut, Flange         | 15x84     | 44      | Rod, Clutch                  | 56531 Z   |
| 6       | Screw                   | 26x267    | 45      | Stop, Parking Brake          | 56227E700 |
| 7       | Grip, Shift Lever       | 91573     | 47      | Grommet                      | 56623     |
| 8       | Hex Nut                 | 15x115    | 48      | Guide, Belt                  | 56641 Z   |
| 9       | Spring, Extension       | 165x100   | 49      | Screw                        | 26x49     |
| 10      | Pin, Cotter             | 30x20     | 50      | Pulley Assembly, Stack       | 92504 Z   |
| 11      | Washer                  | 17x53 Z   | 51      | Bolt, Hex                    | 1x111     |
| 12      | Bolt, Hex               | 1x38      | 52      | Ring, Retainer               | 11x7      |
| 13      | Plate, Index            | 56595E700 | 53      | Pulley, Drive                | 56562     |
| 14      | Gate, Shift             | 56606E700 | 54      | Belt, Motion Drive           | 37x65     |
| 15      | Brace, Shift Gate       | 56529E700 | 55      | Pulley, Idler                | 56526     |
| 16      | Locknut, Flange         | 15x89     | 56      | Washer                       | 17x170    |
| 17      | Support, Seat           | 56517E700 | 57      | Lockwasher                   | 19x35     |
| 18      | Grip, Parking Brake     | 55873     | 58      | Bolt, Hex                    | 1x140     |
| 20      | Pedal                   | 55825     | 59      | Bracket, Idler               | 56520E700 |
| 22      | Frame Assembly          | 56611E700 | 60      | Bolt, Shoulder               | 9x42      |
| 23      | Bolt, Hex               | 1x124     | 61      | Spring, Extension            | 165x81    |
| 25      | Bolt, Hex               | 1x145     | 62      | Locknut, Hex                 | 15x43     |
| 26      | Lockwasher              | 18x32     | 63      | Washer                       | 17x148    |
| 27      | Washer                  | 17x36     | 64      | Transaxle, Dana Model 4450-1 | ‡         |
| 28      | Yoke, Brake             | 56500 Z   | 65      | Bolt, Carriage               | 2x53      |
| 29      | Nut, Adjusting          | 21920     | 66      | Bracket, Transaxle           | 56503 Z   |
| 30      | Yoke, Shift             | 56505 Z   | 67      | Bolt, Hex                    | 1x139     |
| 31      | Washer                  | 17x47 Z   | 68      | Washer                       | 17x160    |
| 32      | Rod, Shift              | 56591 Z   | 69      | Key, Square                  | 56534     |
| 33      | Washer, Hardened        | 17x174 Z  | 70      | Wheel & Tire Assembly        | 92308-601 |
| 34      | Rod, Brake              | 56530 Z   | 71      | Washer                       | 17x195    |
| 35      | Rod, Parking Brake      | 56566 Z   | 72      | E-Ring                       | 11x3      |
| 36      | Spring, Extension       | 165x85    | 73      | Valve Stem **                | 24373     |
| 37      | Lever, Pedal            | 56511E700 | 74      | Tire Only **                 | 24393     |
| 38      | Plate, Left Suspension  | 56224E700 | 75      | Hub Cap, Optional            | 94618     |
| 39      | Plate, Right Suspension | 56023E700 |         |                              |           |

‡ Parts are available from a Authorized Engine Service Center. See "Engines, Gasoline" or "Gasoline Engines" in the yellow pages of the telephone directory

\*\* Also included with Key No. 70.

# MODEL 30560x50C

# REPAIR PARTS STEERING



# MODEL 30560x50C

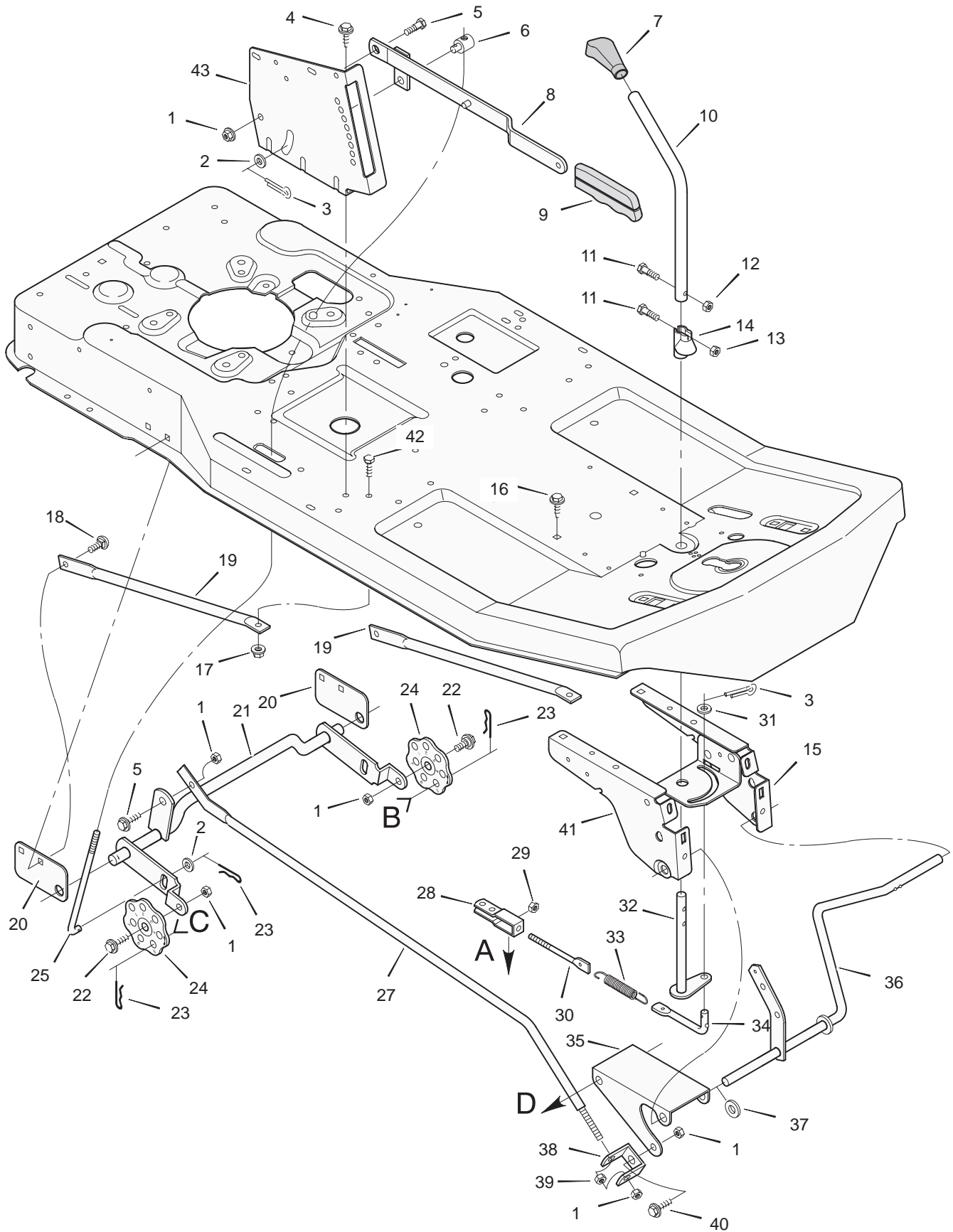
# REPAIR PARTS STEERING

| Key No. | Description                 | Part No.  |
|---------|-----------------------------|-----------|
| 1       | Steering Wheel              | 94870     |
| 3       | Bolt, Hex                   | 1x102     |
| 4       | Locknut, Flange             | 15x88     |
| 5       | Post, Steering              | 91444C    |
| 6       | Nut, Hex                    | 15x88     |
| 7       | Washer                      | 17x47 Z   |
| 10      | Screw                       | 26x267    |
| 11      | Plate, Left Suspension      | 56224E700 |
| 13      | Plate, Right Suspension     | 56023E700 |
| 14      | Bolt, Hex                   | 1x69      |
| 15      | Support, Front Axle         | 56231E700 |
| 16      | Pin, Cotter                 | 30x49     |
| 17      | Bearing, Spindle            | 55003     |
| 19      | Gear, Pinion                | 56057     |
| 20      | Axle Assembly, Front        | 56223E700 |
| 21      | Hanger Assembly, Front Axle | 56230E700 |
| 22      | Bearing                     | 55168     |
| 23      | Sector Assembly             | 56236E700 |
| 24      | Rod, Drag Link              | 56625 Z   |
| 25      | Nut, Hex                    | 15x61     |
| 26      | Ball Joint, Steering        | 21031     |
| 27      | Locknut, Flange             | 15x87 Z   |
| 28      | Washer                      | 17x87 Z   |
| 30      | Washer                      | 17x53 Z   |
| 32      | Pin, Cotter                 | 30x20     |
| 34      | Spindle Assembly, Left      | 55039E700 |
| 35      | Rod, Tie                    | 55026 Z   |
| 36      | Spindle Assembly, Right     | 55038E700 |
| 37      | Bearing, Wheel *            | 56105     |
| 38      | Tire                        | 55700     |
| 39      | Valve Stem *                | 24373     |
| 40      | Wheel & Tire Assembly       | 92303-601 |
| 41      | Washer                      | 17x197    |
| 42      | Cap, Hub (Optional)         | 94618     |

\* Also included with Key No. 40.

# MODEL 30560x50C

# REPAIR PARTS MOWER HOUSING SUSPENSION



# MODEL 30560x50C

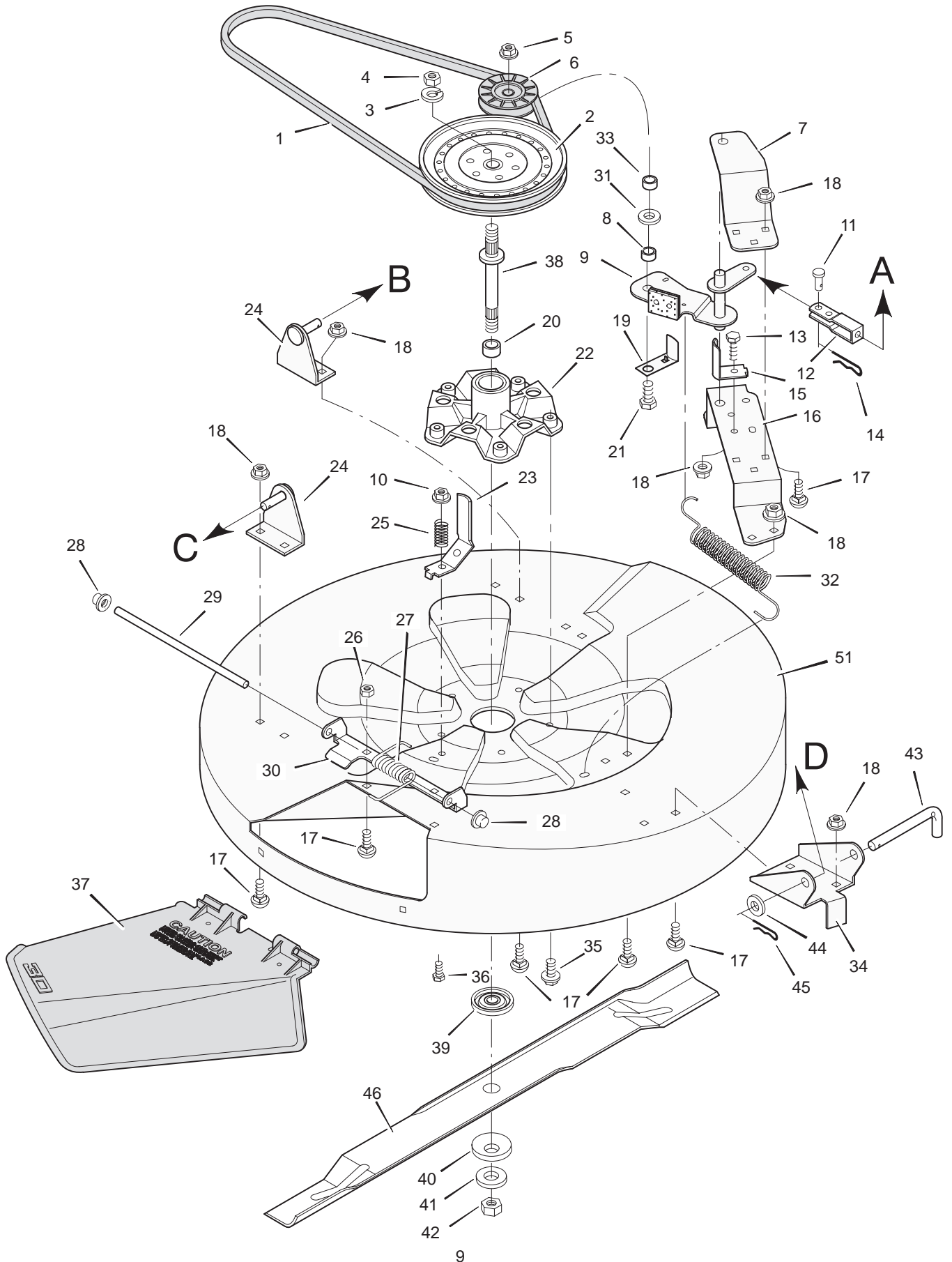
# REPAIR PARTS MOWER HOUSING SUSPENSION

| Key No. | Description                   | Part No.  |
|---------|-------------------------------|-----------|
| 1       | Locknut, Flange               | 15x84     |
| 2       | Washer                        | 17x53 Z   |
| 3       | Pin, Cotter                   | 30x20     |
| 4       | Screw                         | 26x249    |
| 5       | Bolt, Shoulder                | 9x9 Z     |
| 6       | Nut, Adjusting                | 21920     |
| 7       | Grip, Blade Control           | 92698     |
| 8       | Lever Assembly, Lift          | 56031E700 |
| 9       | Grip, Lift Lever              | 91573     |
| 10      | Attachment, Clutch            | 55927 Z   |
| 11      | Bolt, Hex                     | 1x76      |
| 12      | Locknut                       | 15x66     |
| 13      | Locknut, Flange               | 15x89     |
| 14      | Cam, Blade Control            | 55853     |
| 15      | Plate, Left Suspension        | 56224E700 |
| 16      | Screw                         | 26x249    |
| 17      | Locknut, Flange               | 15x88     |
| 18      | Bolt, Carriage                | 2x64      |
| 19      | Strut, Frame                  | 55326     |
| 20      | Plate, Mounting               | 55270E700 |
| 21      | Rod Assembly, Rear Suspension | 55346E700 |
| 22      | Bolt, Shoulder                | 9x4       |
| 23      | Pin, Hair                     | 31x4      |
| 24      | Plate, Adjusting              | 55344 Z   |
| 25      | Rod, Lifter                   | 24839 Z   |
| 27      | Rod, Suspension               | 55957E700 |
| 28      | Clevis                        | 24471 Z   |
| 29      | Nut, Hex                      | 15x2      |
| 30      | Link, Blade Drive             | 55271 Z   |
| 31      | Washer                        | 17x48     |
| 32      | Rod and Arm Assembly          | 55930E700 |
| 33      | Spring, Extension             | 165x67    |
| 34      | Link, Front Deck              | 55179 Z   |
| 35      | Bracket, Front Suspension     | 55139E700 |
| 36      | Lever, Pedal                  | 56511E700 |
| 37      | Washer                        | 17x122 Z  |
| 38      | Clevis                        | 55298     |
| 39      | Locknut, Hex                  | 15x73     |
| 40      | Bolt, Shoulder                | 9x17      |
| 41      | Plate, Right Suspension       | 56023E700 |
| 42      | Bolt, Hex                     | 1x45      |
| 43      | Plate, Index                  | 56595E700 |



# MODEL 30560x50C

# REPAIR PARTS MOWER HOUSING



# MODEL 30560x50C

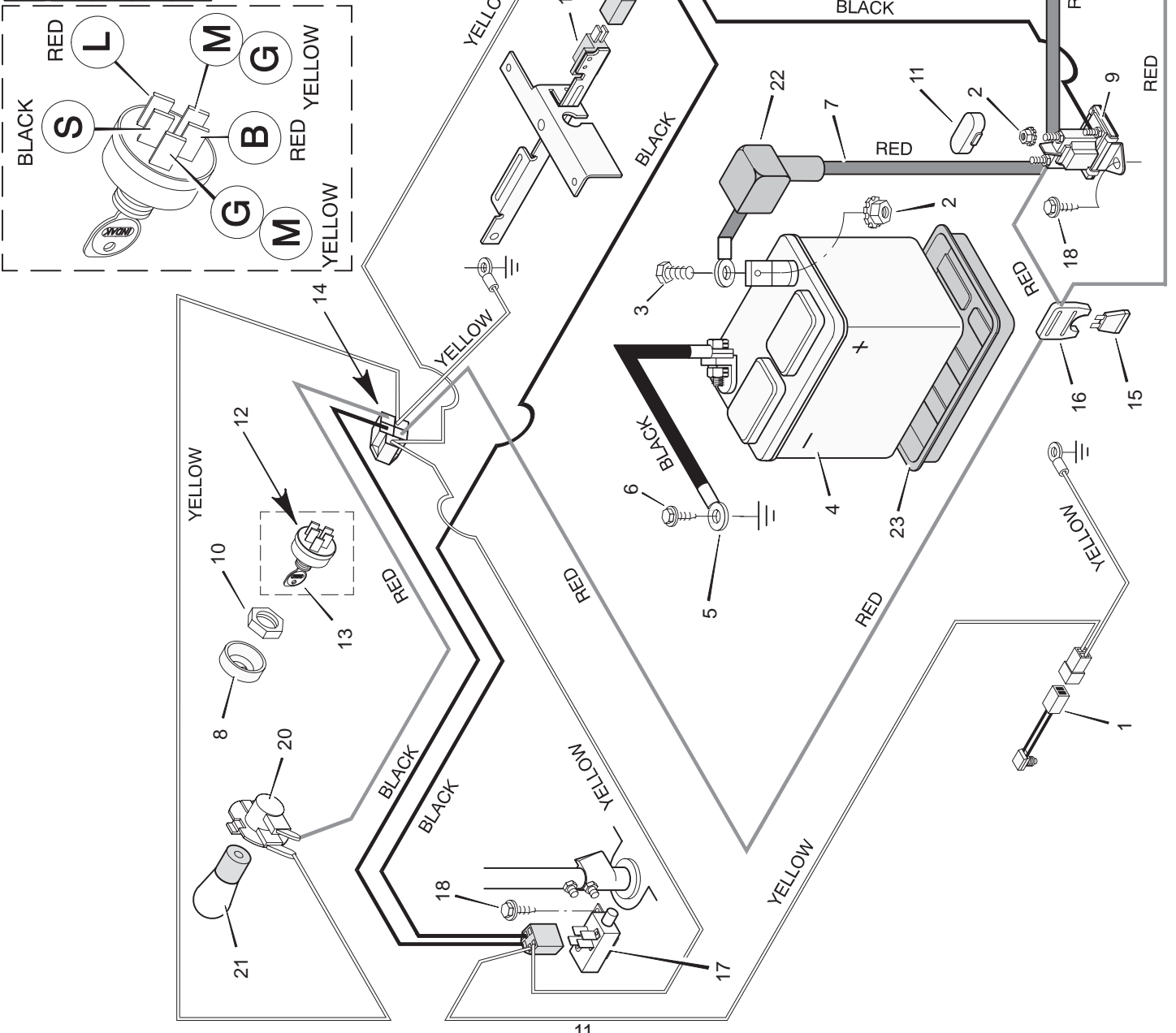
# REPAIR PARTS MOWER HOUSING

| Key No. | Description           | Part No.  | Key No. | Description             | Part No.  |
|---------|-----------------------|-----------|---------|-------------------------|-----------|
| 1       | Belt, Mower Drive     | 37x57     | 25      | Spring, Compression     | 164x1     |
| 2       | Pulley, Splined       | 91951     | 26      | Nut, Hex                | 15x43     |
| 3       | Lockwasher            | 18x33     | 27      | Spring, Torsional       | 166x4     |
| 4       | Locknut, Hex          | 15x100    | 28      | Push On Cap             | 28x23     |
| 5       | Nut, Hex              | 15x41     | 29      | Rod                     | 21197 Z   |
| 6       | Pulley, Idler         | 91178     | 30      | Hinge, Chute Deflector  | 56213E700 |
| 7       | Bracket, Upper Idler  | 55921E700 | 31      | Washer                  | 17x91 Z   |
| 8       | Spacer                | 55895     | 32      | Spring, Extension       | 165x68    |
| 9       | Assembly, Blade Idler | 55979     | 33      | Spacer                  | 690369    |
| 10      | Locknut, Flange       | 15x88     | 34      | Bracket, Front          | 55916E700 |
| 11      | Pin, Clevis           | 29x99     | 35      | Screw                   | 26x216    |
| 12      | Clevis                | 24471 Z   | 36      | Bolt, Hex               | 1x75      |
| 13      | Bolt, Hex             | 1x45      | 37      | Deflector, Chute        | 55971     |
| 14      | Pin, Hair             | 31x6      | 38      | Mandrel                 | 91921     |
| 15      | Guide, Belt           | 55977     | 39      | Adapter, Blade          | 92466     |
| 16      | Bracket, Lower Idler  | 55920E700 | 40      | Washer, Belleville      | 17x166    |
| 17      | Bolt, Carriage        | 2x53      | 41      | Washer, Hardened        | 17x165    |
| 18      | Nut, Flange           | 15x79     | 42      | Nut, Hex                | 15x100    |
| 19      | Guide, Belt           | 55894     | 43      | Pin, Pull               | 90828 Z   |
| 20      | Spacer                | 91925     | 44      | Washer                  | 17x67 Z   |
| 21      | Bolt, Hex             | 1x127     | 45      | Pin, Hair               | 31x4      |
| 22      | Housing, Mandrel      | 55962     | 46      | Blade, Standard         | 55793E701 |
| 23      | Guide, Belt           | 55956 Z   | 1-51    | Mower Housing, Complete | 403330    |
| 24      | Bracket, Hanger       | 55974E700 |         |                         |           |

# MODEL 30560x50C

# REPAIR PARTS ELECTRICAL SYSTEM

| POS. | FUNCTION   | CIRCUIT (MAKE) |
|------|------------|----------------|
| 1    | OFF        | M+G            |
| 2    | RUN LIGHTS | B+L            |
| 3    | RUN        | NONE           |
| 4    | START      | B+S            |



| <b>Key No.</b> | <b>Description</b>         | <b>Part No.</b> |
|----------------|----------------------------|-----------------|
| 1              | Switch, Seat Sensor        | 91031           |
| 2              | Locknut                    | 15x66           |
| 3              | Bolt                       | 1x38            |
| 4              | Battery                    | 91414           |
| 5              | Cable, Battery Ground      | 24x3            |
| 6              | Screw                      | 26x49           |
| 7              | Cable, Red Battery         | 24x24           |
| 8              | Cap, Ignition              | 91488           |
| 9              | Solenoid                   | 94613           |
| 10             | Nut, Hex                   | 91489           |
| 11             | Cover, Solenoid (Optional) | 56049           |
| 12             | Switch, Ignition           | 91846           |
| 13             | Key, Ignition              | 20729           |
| 14             | Harness, Chassis Wire      | 250x85          |
| 15             | Fuse                       | 54212           |
| 16             | Holder, Fuse               | 407078          |
| 17             | Switch, Limit              | 91032           |
| 18             | Screw                      | 26x233          |
| 19             | Switch, Limit              | 24273           |
| 20             | Socket, Light              | 92372           |
| 21             | Bulb, Light                | 90084           |
| 22             | Cover, Terminal            | 54148           |
| 23             | Tray, Battery              | 91896           |