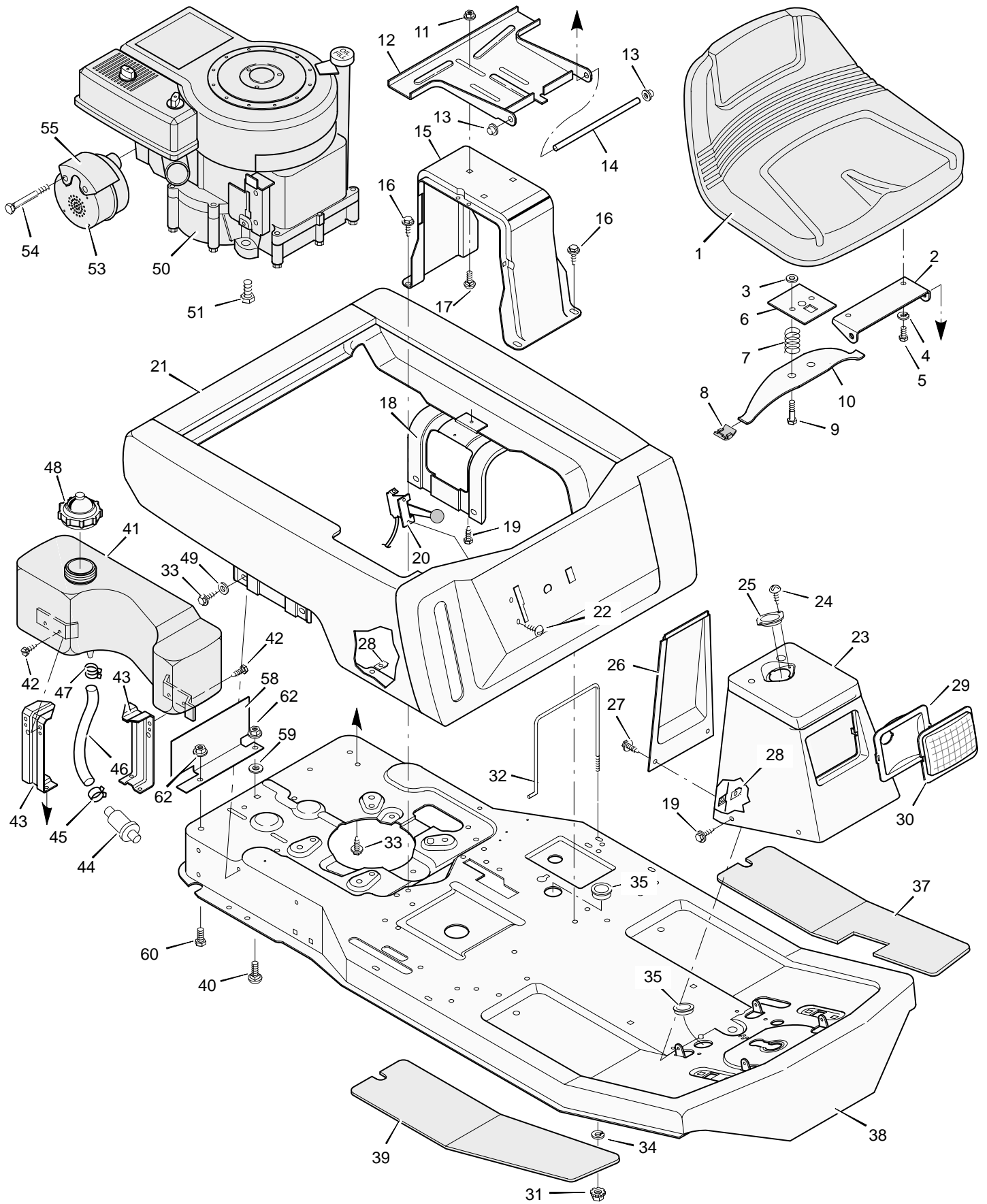


# MODEL 30540x20E

# REPAIR PARTS BODY CHASSIS



# MODEL 30540x20E

# REPAIR PARTS BODY CHASSIS

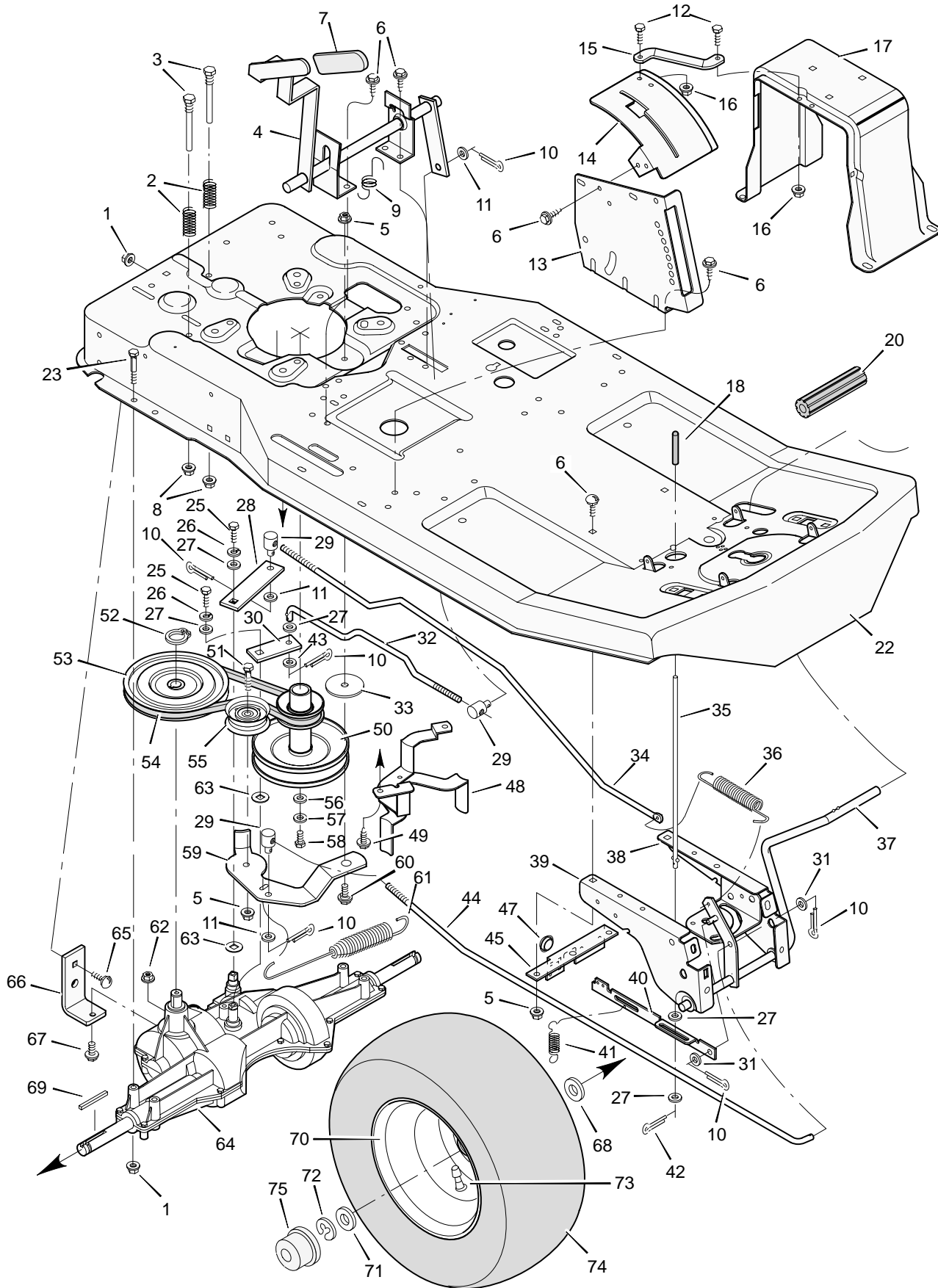
| Key No. | Description            | Part No.  | Key No. | Description          | Part No.  |
|---------|------------------------|-----------|---------|----------------------|-----------|
| 1       | Seat                   | 91965     | 35      | Grommet              | 21268     |
| 2       | Hinge, Seat            | 56516E701 | 37      | Mat, Left            | 56107     |
| 3       | Retainer               | 28x64     | 38      | Frame Assembly       | 56611E245 |
| 4       | Lockwasher             | 18x16     | 39      | Mat, Right           | 56106     |
| 5       | Bolt, Hex              | 1x45      | 40      | Bolt, Carriage       | 2x53      |
| 6       | Plate, Seat Switch     | 91963Z    | 41      | Tank, Fuel           | 55805     |
| 7       | Spring, Compression    | 164x26    | 42      | Screw                | 26x213    |
| 8       | Glide, Seat Spring     | 91822     | 43      | Bracket, Fuel Tank   | 55806E701 |
| 9       | Bolt, Shoulder         | 9x38      | 44      | Filter, Fuel         | 56002     |
| 10      | Spring, Seat           | 91964     | 45      | Clamp                | 91174     |
| 11      | Locknut, Flange        | 15x88     | 46      | Line, Fuel           | 91022     |
| 12      | Bracket, Seat Pivot    | 56518E701 | 47      | Clamp                | 23713     |
| 13      | Cap, Push On           | 28x23     | 48      | Cap, Fuel            | 92317     |
| 14      | Rod, Seat Hinge        | 56537Z    | 49      | Washer               | 19x6      |
| 15      | Support, Seat          | 56517E701 | 50      | Engine               | ‡         |
| 16      | Screw                  | 26x249    | 51      | Bolt, Engine Mount   | 25x7      |
| 17      | Bolt, Carriage         | 2x53      | 53      | Muffler              | 90331     |
| 18      | Support, Body *        | 55017E701 | 54      | Bolt                 | 1x117     |
| 19      | Screw                  | 26x214    | 55      | Shield, Heat         | 90333     |
| 20      | Throttle Control       | 56598     | 58      | Shield, Heat         | 56636E701 |
| 21      | Body                   | 54766E245 | 59      | Washer               | 28x64     |
| 22      | Screw                  | 26x201    | 60      | Bolt                 | 1x91      |
| 23      | Console Assembly       | 56570E245 | 62      | Locknut, Flange      | 15x76     |
| 24      | Screw                  | 26x201    | —       | Owner's Manual       | F-96605   |
| 25      | Bearing, Steering Post | 56022     | —       | Parts List           | F-96606   |
| 26      | Console, Plate         | 55023E245 | —       | Decal, Right Panel   | 44x3024   |
| 27      | Screw                  | 4x24      | —       | Decal, Left Panel    | 44x3025   |
| 28      | J-Nut                  | 28x18     | —       | Decal, Shift         | 44x4402   |
| 29      | Reflector              | 56241Z    | —       | Decal, Left Console  | 44x3467   |
| 30      | Lens                   | 90082     | —       | Decal, Right Console | 44x3468   |
| 31      | Locknut                | 15x66     | —       | Decal, Front         | 44x3023   |
| 32      | Clamp, Battery         | 54800Z    | —       | Decal, Clutch/Brake  | 44x5437   |
| 33      | Screw                  | 26x49     | —       | Decal, Warning       | 44x5942   |
| 34      | Washer                 | 17x38Z    |         |                      |           |

\* Also included with Key No. 21.

‡ Parts are available from a Authorized Engine Service Center. See "Engines, Gasoline" or "Gasoline Engines" in the yellow pages of the telephone directory

# MODEL 30540x20E

# REPAIR PARTS MOTION DRIVE



# MODEL 30540x20E

# REPAIR PARTS MOTION DRIVE

| Key No. | Description             | Part No.  | Key No. | Description                  | Part No.  |
|---------|-------------------------|-----------|---------|------------------------------|-----------|
| 1       | Locknut, Flange         | 15x88     | 40      | Link, Parking Brake          | 56565Z    |
| 2       | Spring, Compression     | 164x1     | 41      | Spring, Extension            | 165x107   |
| 3       | Guide, Belt             | 55826     | 42      | Pin, Cotter                  | 30x50     |
| 4       | Shifter Assembly        | 56610E701 | 43      | Washer                       | 17x46Z    |
| 5       | Locknut, Flange         | 15x84     | 44      | Rod, Clutch                  | 56531Z    |
| 6       | Screw                   | 26x267    | 45      | Stop, Parking Brake          | 56227E701 |
| 7       | Grip, Shift Lever       | 91573     | 47      | Grommet                      | 56623     |
| 8       | Hex Nut                 | 15x115    | 48      | Guide, Belt                  | 56215Z    |
| 9       | Spring, Extension       | 165x100   | 49      | Screw                        | 26x49     |
| 10      | Pin, Cotter             | 30x20     | 50      | Pulley Assembly, Stack       | 92504Z    |
| 11      | Washer                  | 17x53Z    | 51      | Bolt, Hex                    | 1x111     |
| 12      | Bolt, Hex               | 1x38      | 52      | Ring, Retainer               | 11x7      |
| 13      | Plate, Index            | 56595E701 | 53      | Pulley, Drive                | 56562     |
| 14      | Gate, Shift             | 56606E701 | 54      | Belt, Motion Drive           | 37x65     |
| 15      | Brace, Shift Gate       | 56529E701 | 55      | Pulley, Idler                | 56526     |
| 16      | Locknut, Flange         | 15x89     | 56      | Washer                       | 17x170    |
| 17      | Support, Seat           | 56517E701 | 57      | Lockwasher                   | 19x35     |
| 18      | Grip, Parking Brake     | 55873     | 58      | Bolt, Hex                    | 1x140     |
| 20      | Pedal, Rubber           | 55825     | 59      | Bracket, Idler               | 56520E701 |
| 22      | Frame Assembly          | 56611E701 | 60      | Bolt, Shoulder               | 9x42      |
| 23      | Bolt, Hex               | 1x124     | 61      | Spring, Extension            | 165x81    |
| 25      | Bolt, Hex               | 1x145     | 62      | Locknut, Hex                 | 15x43     |
| 26      | Lockwasher              | 18x32     | 63      | Washer                       | 17x148    |
| 27      | Washer                  | 17x36Z    | 64      | Transaxle, Dana Model 4450-1 | ‡         |
| 28      | Yoke, Brake             | 56500Z    | 65      | Bolt, Carriage               | 2x53      |
| 29      | Nut, Adjusting          | 21920     | 66      | Bracket, Transaxle           | 56503E701 |
| 30      | Yoke, Shift             | 56505Z    | 67      | Bolt, Hex                    | 1x139     |
| 31      | Washer                  | 17x47Z    | 68      | Washer                       | 17x160    |
| 32      | Rod, Shift              | 56591Z    | 69      | Key, Square                  | 56534     |
| 33      | Washer, Hardened        | 17x174HT  | 70      | Wheel & Tire Assembly        | 92308-601 |
| 34      | Rod, Brake              | 56530Z    | 71      | Washer                       | 17x115    |
| 35      | Rod, Parking Brake      | 56566Z    | 72      | E-Ring                       | 11x3      |
| 36      | Spring, Extension       | 165x85    | 73      | Valve Stem **                | 24373     |
| 37      | Lever, Pedal            | 56511E701 | 74      | Tire Only **                 | 24393     |
| 38      | Plate, Left Suspension  | 56224E701 | 75      | Hub Cap, Optional            | 24582     |
| 39      | Plate, Right Suspension | 56023E701 |         |                              |           |

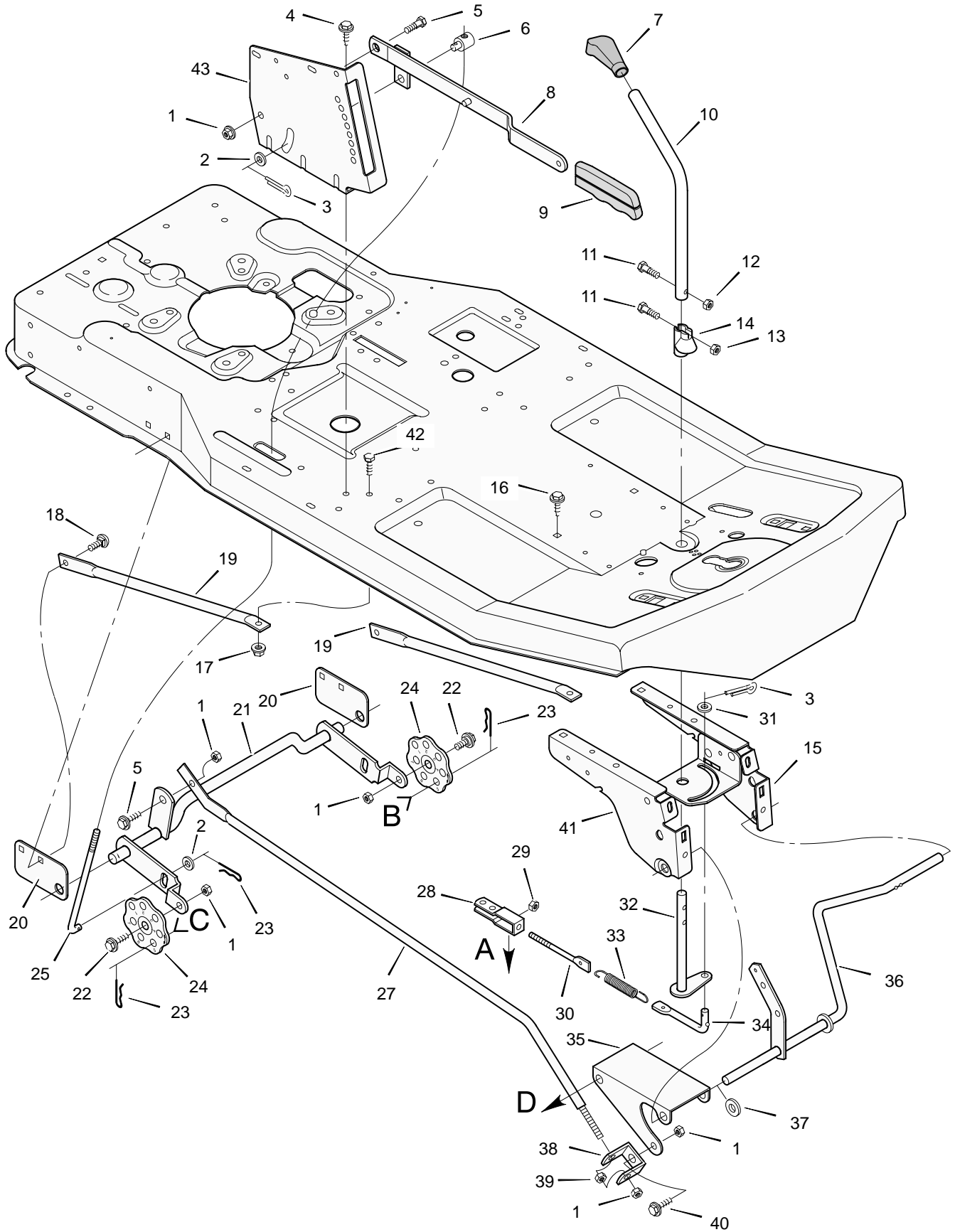
‡ Parts are available from a Authorized Engine Service Center. See "Engines, Gasoline" or "Gasoline Engines" in the yellow pages of the telephone directory

\*\* Also included with Key No. 70.



| <b>Key No.</b> | <b>Description</b>          | <b>Part No.</b> |
|----------------|-----------------------------|-----------------|
| 1              | Steering Wheel              | 92078           |
| 3              | Bolt, Hex                   | 1x102           |
| 4              | Locknut, Flange             | 15x88           |
| 5              | Post, Steering              | 91444C          |
| 6              | Nut, Hex                    | 15x88           |
| 7              | Washer                      | 17x47Z          |
| 10             | Screw                       | 26x267          |
| 11             | Plate, Left Suspension      | 56224E701       |
| 13             | Plate, Right Suspension     | 56023E701       |
| 14             | Bolt, Hex                   | 1x69            |
| 15             | Support, Front Axle         | 56231E701       |
| 16             | Pin, Cotter                 | 30x49           |
| 17             | Bearing, Spindle            | 55003           |
| 19             | Gear, Pinion                | 56057           |
| 20             | Axle Assembly, Front        | 56223E701       |
| 21             | Hanger Assembly, Front Axle | 56230E701       |
| 22             | Bearing                     | 55168           |
| 23             | Sector Assembly             | 56236E701       |
| 24             | Rod, Drag Link              | 56625E701       |
| 25             | Ball Joint, Steering        | 21031           |
| 26             | Nut, Hex                    | 15x61           |
| 27             | Locknut, Flange             | 15x87           |
| 28             | Washer                      | 17x87           |
| 30             | Washer                      | 17x53           |
| 32             | Pin, Cotter                 | 30x20           |
| 34             | Spindle Assembly, Left      | 55039E701       |
| 35             | Rod, Tie                    | 55026E701       |
| 36             | Spindle Assembly, Right     | 55038E701       |
| 37             | Bearing, Wheel *            | 56105           |
| 38             | Tire                        | 55700           |
| 39             | Valve Stem *                | 24373           |
| 40             | Wheel & Tire Assembly       | 92303-601       |
| 41             | Washer                      | 24583           |
| 42             | Cap, Hub (Optional)         | 24582           |

\* Also included with Key No. 40.



# MODEL 30540x20E

# REPAIR PARTS MOWER HOUSING SUSPENSION

| Key No. | Description                   | Part No.  |
|---------|-------------------------------|-----------|
| 1       | Locknut, Flange               | 15x84     |
| 2       | Washer                        | 17x53     |
| 3       | Pin, Cotter                   | 30x20     |
| 4       | Screw                         | 26x249    |
| 5       | Bolt, Shoulder                | 9x9Z      |
| 6       | Nut, Adjusting                | 21920     |
| 7       | Grip, Blade Control           | 92698     |
| 8       | Lever Assembly, Lift          | 56031E701 |
| 9       | Grip, Lift Lever              | 91573     |
| 10      | Attachment, Clutch            | 55927Z    |
| 11      | Bolt, Hex                     | 1x76      |
| 12      | Locknut                       | 15x66     |
| 13      | Locknut, Flange               | 15x89     |
| 14      | Cam, Blade Control            | 55853     |
| 15      | Plate, Left Suspension        | 56224E701 |
| 16      | Screw                         | 26x249    |
| 17      | Locknut, Flange               | 15x88     |
| 18      | Bolt, Carriage                | 2x64      |
| 19      | Strut, Frame                  | 55326E701 |
| 20      | Plate, Mounting               | 55270E701 |
| 21      | Rod Assembly, Rear Suspension | 55346E701 |
| 22      | Bolt, Shoulder                | 9x4       |
| 23      | Pin, Hair                     | 31x4      |
| 24      | Plate, Adjusting              | 55344E701 |
| 25      | Rod, Lifter                   | 24839E701 |
| 27      | Rod, Suspension               | 55957E701 |
| 28      | Clevis                        | 24471Z    |
| 29      | Nut, Hex                      | 15x2      |
| 30      | Link, Blade Drive             | 55271Z    |
| 31      | Washer                        | 17x48     |
| 32      | Rod and Arm Assembly          | 55930E701 |
| 33      | Spring, Extension             | 165x67    |
| 34      | Link, Front Deck              | 55179E701 |
| 35      | Bracket, Front Suspension     | 55139E701 |
| 36      | Lever, Pedal                  | 56511E701 |
| 37      | Washer                        | 17x122    |
| 38      | Clevis                        | 55298     |
| 39      | Locknut, Hex                  | 15x73     |
| 40      | Bolt, Shoulder                | 9x17      |
| 41      | Plate, Right Suspension       | 56023E701 |
| 42      | Bolt, Hex                     | 1x45      |
| 43      | Plate, Index                  | 56595E701 |





# MODEL 30540x20E

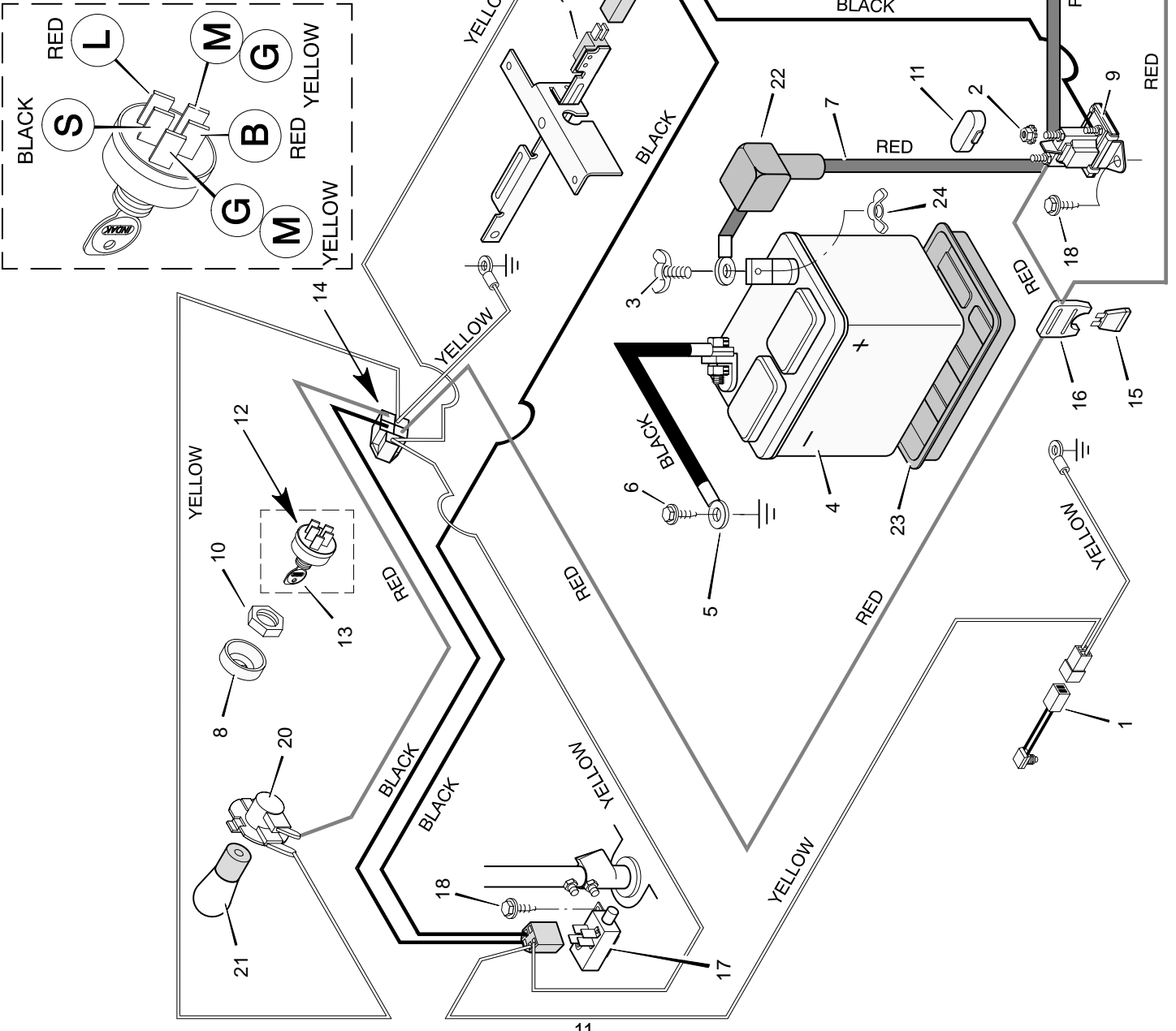
# REPAIR PARTS MOWER HOUSING

| Key No. | Description           | Part No.  | Key No. | Description             | Part No.  |
|---------|-----------------------|-----------|---------|-------------------------|-----------|
| 1       | Belt, Mower Drive     | 37x57     | 24      | Bracket, Hanger         | 55974E701 |
| 2       | Pulley, Splined       | 91951     | 25      | Spring, Compression     | 164x1     |
| 3       | Lockwasher            | 18x33     | 26      | Nut, Hex                | 15x43Z    |
| 4       | Locknut, Hex          | 15x100    | 27      | Spring, Torsional       | 166x4     |
| 5       | Nut, Hex              | 15x41     | 28      | Push On Cap             | 28x23     |
| 6       | Pulley, Idler         | 91178     | 29      | Rod                     | 21197Z    |
| 7       | Bracket, Upper Idler  | 55921E701 | 30      | Hinge, Chute Deflector  | 56213E701 |
| 8       | Spacer                | 55895Z    | 32      | Spring, Extension       | 165x68    |
| 9       | Assembly, Blade Idler | 55979E701 | 34      | Bracket, Front          | 55916E701 |
| 10      | Locknut, Flange       | 15x88     | 35      | Screw                   | 26x216    |
| 11      | Pin, Clevis           | 29x99     | 36      | Bolt, Hex               | 1x75      |
| 12      | Clevis                | 24471Z    | 37      | Deflector, Chute        | 55971     |
| 13      | Bolt, Hex             | 1x45      | 38      | Mandrel                 | 91921     |
| 14      | Pin, Hair             | 31x6      | 39      | Adapter, Blade          | 92466     |
| 15      | Guide, Belt           | 55977E701 | 40      | Washer, Belleville      | 17x166    |
| 16      | Bracket, Lower Idler  | 55920E701 | 41      | Washer, Hardened        | 17x165    |
| 17      | Bolt, Carriage        | 2x53Z     | 42      | Nut, Hex                | 15x100    |
| 18      | Nut, Flange           | 15x79     | 43      | Pin, Pull               | 90828Z    |
| 19      | Guide, Belt           | 55894E701 | 44      | Washer                  | 17x67Z    |
| 20      | Spacer                | 91925     | 45      | Pin, Hair               | 31x4      |
| 21      | Bolt, Hex             | 1x127     | 46      | Blade, Standard         | 55793E701 |
| 22      | Housing, Mandrel      | 55962     | 1-47    | Mower Housing, Complete | 403330    |
| 23      | Guide, Belt           | 55956Z    |         |                         |           |

# MODEL 30540x20E

# REPAIR PARTS ELECTRICAL SYSTEM

| POS. | FUNCTION   | CIRCUIT (MAKE) |
|------|------------|----------------|
| 1    | OFF        | M+G            |
| 2    | RUN LIGHTS | B+L            |
| 3    | RUN        | NONE           |
| 4    | START      | B+S            |



| <b>Key No.</b> | <b>Description</b>          | <b>Part No.</b> |
|----------------|-----------------------------|-----------------|
| 1              | Switch, Seat Sensor         | 91031           |
| 2              | Locknut                     | 15x66           |
| 3              | Bolt                        | 6x99            |
| 4              | Battery                     | 91414           |
| —              | Acid, Battery (Electrolyte) | 93292           |
| 5              | Cable, Battery Ground       | 24x3            |
| 6              | Screw                       | 26x49           |
| 7              | Cable, Red Battery          | 24x24           |
| 8              | Cap, Ignition               | 91488           |
| 9              | Solenoid                    | 24285           |
| 10             | Nut, Hex                    | 91489           |
| 11             | Cover, Solenoid             | 56049           |
| 12             | Switch, Ignition            | 91846           |
| 13             | Key, Ignition               | 20729           |
| 14             | Harness, Chassis Wire       | 250x64          |
| 15             | Fuse                        | 54212           |
| 16             | Holder, Fuse                | 407078          |
| 17             | Switch, Limit               | 91032           |
| 18             | Screw                       | 26x233          |
| 19             | Switch, Limit               | 24273           |
| 20             | Socket, Light               | 92372           |
| 21             | Bulb, Light                 | 90084           |
| 22             | Cover, Terminal             | 54148           |
| 23             | Tray, Battery               | 91896           |
| 24             | Wingnut                     | 14x79           |