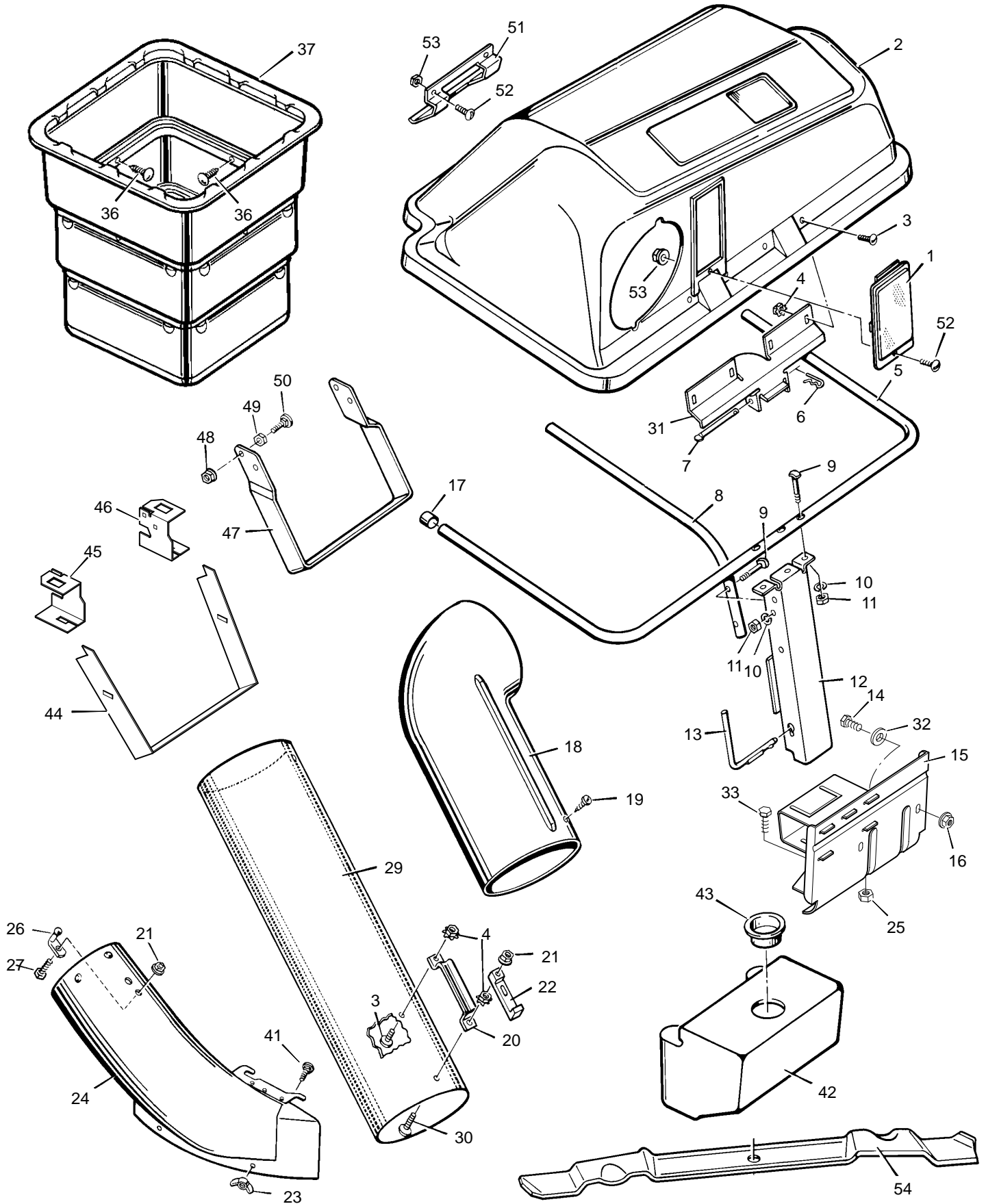


# MODEL 24730x20B

# REPAIR PARTS GRASS BAGGER



# MODEL 24730x20B

# REPAIR PARTS GRASS BAGGER

Key No.	Description	Part No.	Key No.	Description	Part No.
1	Window	54575	26	Pin, Latch	54563
2	Cover	54576	27	Bolt, Carriage	2x39
3	Screw	4x24	29	Tube, Connector	54729
4	Locknut	15x66	30	Screw	4x71
5	Tube, "U"	54410E701	31	Hinge, Cover	54398E701
6	Pin, Hair	31x6	32	Washer	17x51Z
7	Pin, Hinge	54407Z	33	Bolt, Hex	1x125
8	Tube, Center	54412E701	36	Fastener, Plastic *	193x1
9	Bolt, Special	6x93Z	37	Containers (Quantity 2)	54727SE
10	Lockwasher	18x15	41	Bolt, Carriage	2x64
11	Nut, Hex	15x32	42	Shell, Front Weight	55441
12	Channel Assembly	54422E701	43	Plug, Front Weight	24863
13	Pin, Channel	54408Z	44	Support, Weight (Type A)	92386E701
14	Bolt, Hex	1x84	45	Bracket, Right Hanger	92384E701
15	Mount Assembly, Bagger	54587E701	46	Bracket, Left Hanger	92385E701
16	Nut, Hex	15x108	47	Support, Weight (Type B)	54552E701
17	Cap, End	24862	48	Nut, Flange	15x88
18	Elbow	91944	49	Nut, Jam	15x109
19	Screw	26x239	50	Carriage, Bolt	2x74
20	Handle, Connector Tube	54416E701	51	Handle, Plastic	54537
21	Locknut, Flange	15x89	52	Screw	4x21
22	Latch, Rubber	54695	53	Nut, Hex	15x81
23	Wingnut	14x86	54	Blade, High Lift (76 cm)	56246E701
24	Tube, Extension	54574	—	Book, Instruction	F-96902
25	Hex Nut	15x41			

\* Included with Key No. 37.