


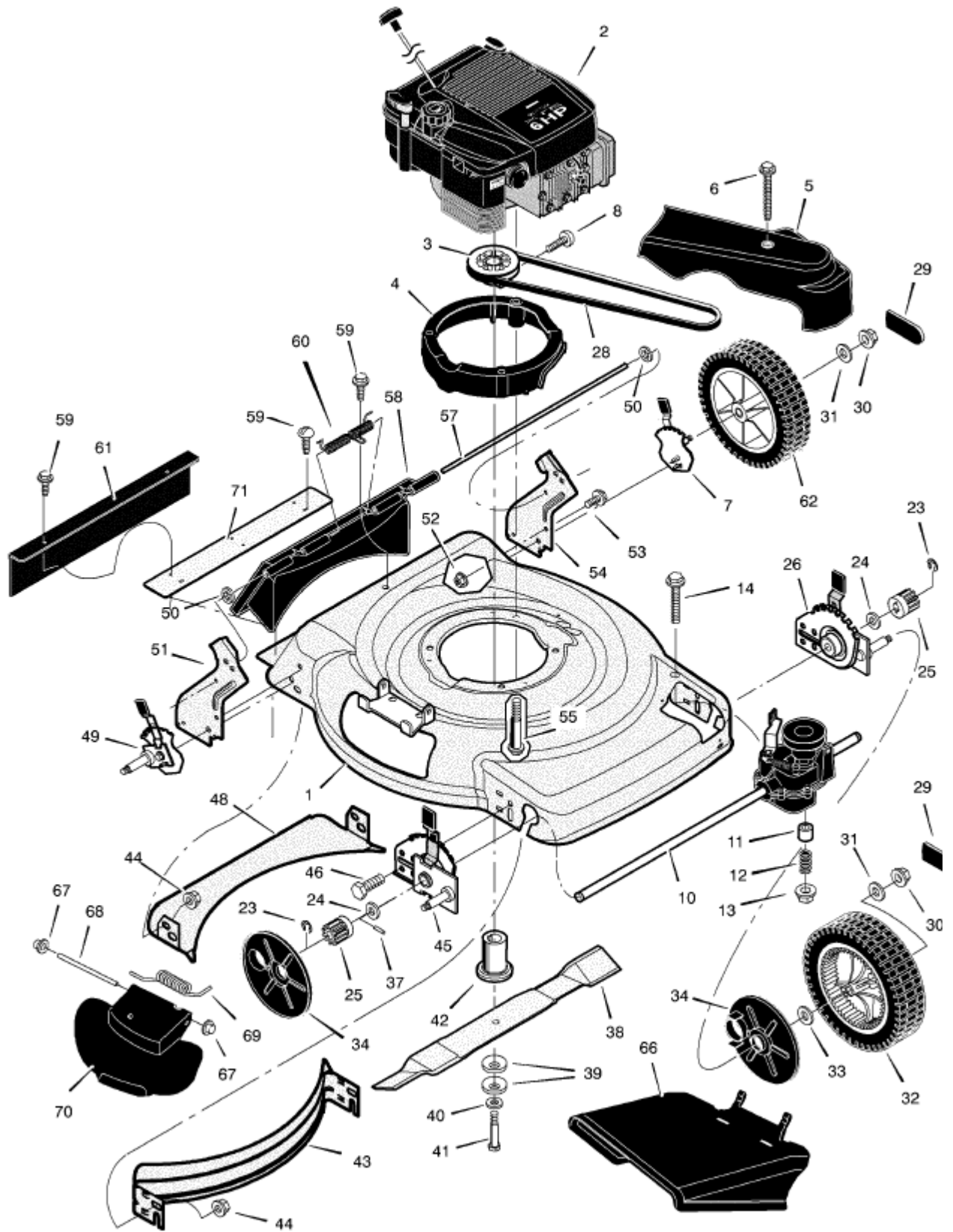


Supercessions	Ref #	Part #	<input checked="" type="checkbox"/> Description	<input checked="" type="checkbox"/> Qty	<input checked="" type="checkbox"/> Context Note	<input checked="" type="checkbox"/> Foot Note	<input checked="" type="checkbox"/> UOM
	1	1101613E701 Add to pick list	Handle, Upper				
	2	672906E701MA Add to pick list	Handle, Lower				
	3	26X307 Add to pick list	Bolt				
	4	1101676MA Add to pick list	Control, Drive				
	5	15X116MA Add to pick list	Locknut				
	6	1101611MA Add to pick list	Control, Starter				
	7	1101353MA Add to pick list	Fastener, Cable				
	8	1101612E701 Add to pick list	Lever, Stop				
	9	15X142 Add to pick list	Nut				
	10	002X77MA Add to pick list	Bolt				
	11	071294 Add to pick list	Knob				
	12	071530MA Add to pick list	Guide, Rope				
	13	002X81MA Add to pick list	Bolt, Carriage				
	14	071495MA Add to pick list	Knob, Plastic				
	15	1101075MA Add to pick list	Tube, Bag				
	16	1101074MA Add to pick list	Frame Assembly				
	17	1101614MA Add to pick list	Bag, Cloth				



Supercessions	Ref #	Part #	Description	Qty	Context	Note	Foot Note	UOM
	1	1101616E700 Add to pick list	Housing					
	2	----- Add to pick list	Engine *				Note* Parts are available from an Authorized Engine Service Center. See "Engines, Gasoline" or "Gasoline Engines" in the yellow pages of the telephone directory.	
	3	1101653MA Add to pick list	Pulley, Drive					
	4	1101331MA Add to pick list	Spacer, Engine					
	5	1101596MA Add to pick list	Cover, Belt					
	6	26X304MA Add to pick list	Screw					
	7	672605MA Add to pick list	Adjuster, Left Rear Height					
	8	26X303MA Add to pick list	Screw					
	10	1101571MA Add to pick list	Transmission *				Note* There are no internal serviceable parts for the transmission.	
	11	043844MA Add to pick list	Spacer					
	12	164X27MA Add to pick list	Spring, Compression					
	13	015X88MA Add to pick list	Nut					
	14	01X156MA Add to pick list	Bolt					
	23	0011X16 Add to pick list	E-Ring					
	24	17X186MA Add to pick list	Washer					
	25	071792MA Add to pick list	Gear, Pinion					
	26	1101029 Add to pick list	Adjuster, Left Front Height					
	28	37X123MA Add to pick list	Belt					
	29	672122MA Add to pick list	Cap, Hub					
	30	015X84MA Add to pick list	Nut, Flange					
	31	17X169MA Add to pick list	Washer					

	32	071133MA Add to pick list	Wheel & Tire, Drive				
	33	017X75MA Add to pick list	Washer				
	34	071780MA Add to pick list	Cover, Dust				
	37	043629MA Add to pick list	Pin, Drive				
	38	1101120E701MA Add to pick list	Blade				
	39	17X137MA Add to pick list	Washer, Belleville				
	40	17X124MA Add to pick list	Washer				
	41	01X144MA Add to pick list	Bolt				
	42	1101336MA Add to pick list	Adapter, Blade				
	43	672915E701MA Add to pick list	Baffle, Front		(Included with Ref. No. 1)		
	44	015X68MA Add to pick list	Nut, Flange				
	45	1101028MA Add to pick list	Adjuster, Right Front Height				
	46	001X85MA Add to pick list	Bolt				
	48	672916E701MA Add to pick list	Baffle, Rear		(Included with Ref. No. 1)		
	49	672604MA Add to pick list	Adjuster, Right Rear Height				
	50	028X49MA Add to pick list	Push Retainer		(Included with Ref. No. 58)		
	51	1101238E700 Add to pick list	Bracket, Right Handle				
	52	015X79MA Add to pick list	Nut, Flange				
	53	001X45MA Add to pick list	Bolt				
	54	1101239E700 Add to pick list	Bracket, Left Handle				
	55	025X11MA Add to pick list	Bolt, Engine				
	57	215X21MA Add to pick list	Rod, Pivot		(Included with Ref. No. 58)		
	58	1101070MA Add to pick list	Door, Rear				
	59	26X245MA Add to pick list	Screw				
	60	166X44MA Add to pick list	Spring		(Included with Ref. No. 58)		
	61	1101105MA Add to pick list	Guard, Rear				
	62	071132MA Add to pick list	Wheel & Tire, Rear				

	66	1101097MA Add to pick list	Deflector, Chute				
	67	028X42MA Add to pick list	Push On Cap				
	68	215X19 Z Add to pick list	Rod, Pivot				
	69	166X38MA Add to pick list	Spring, Torsion				
	70	1101098MA Add to pick list	Cover, Mulch				
	71	672111E701 Add to pick list	Extension, Rear				
	--	F-030432L Add to pick list	Book, Instruction				