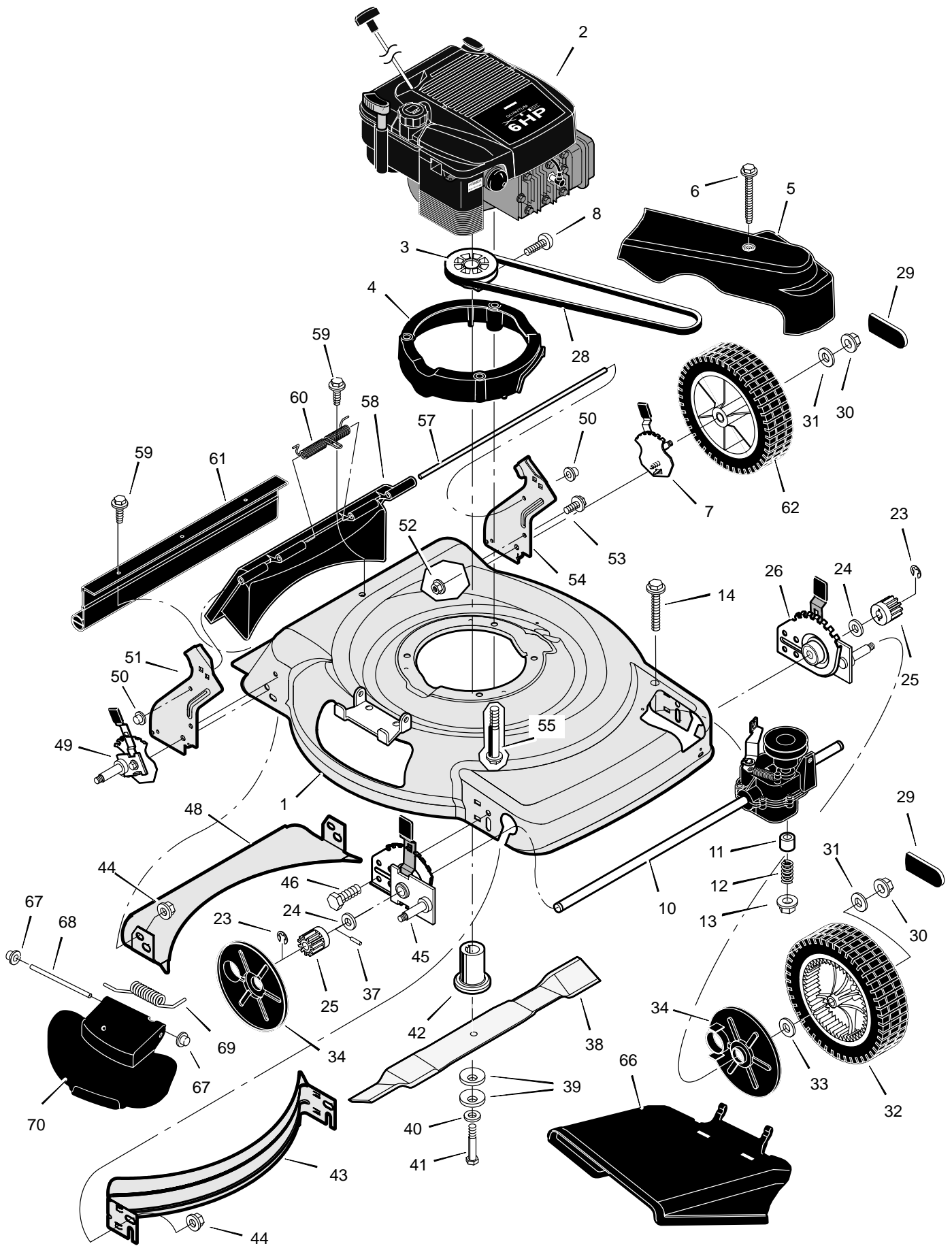


228610x68A



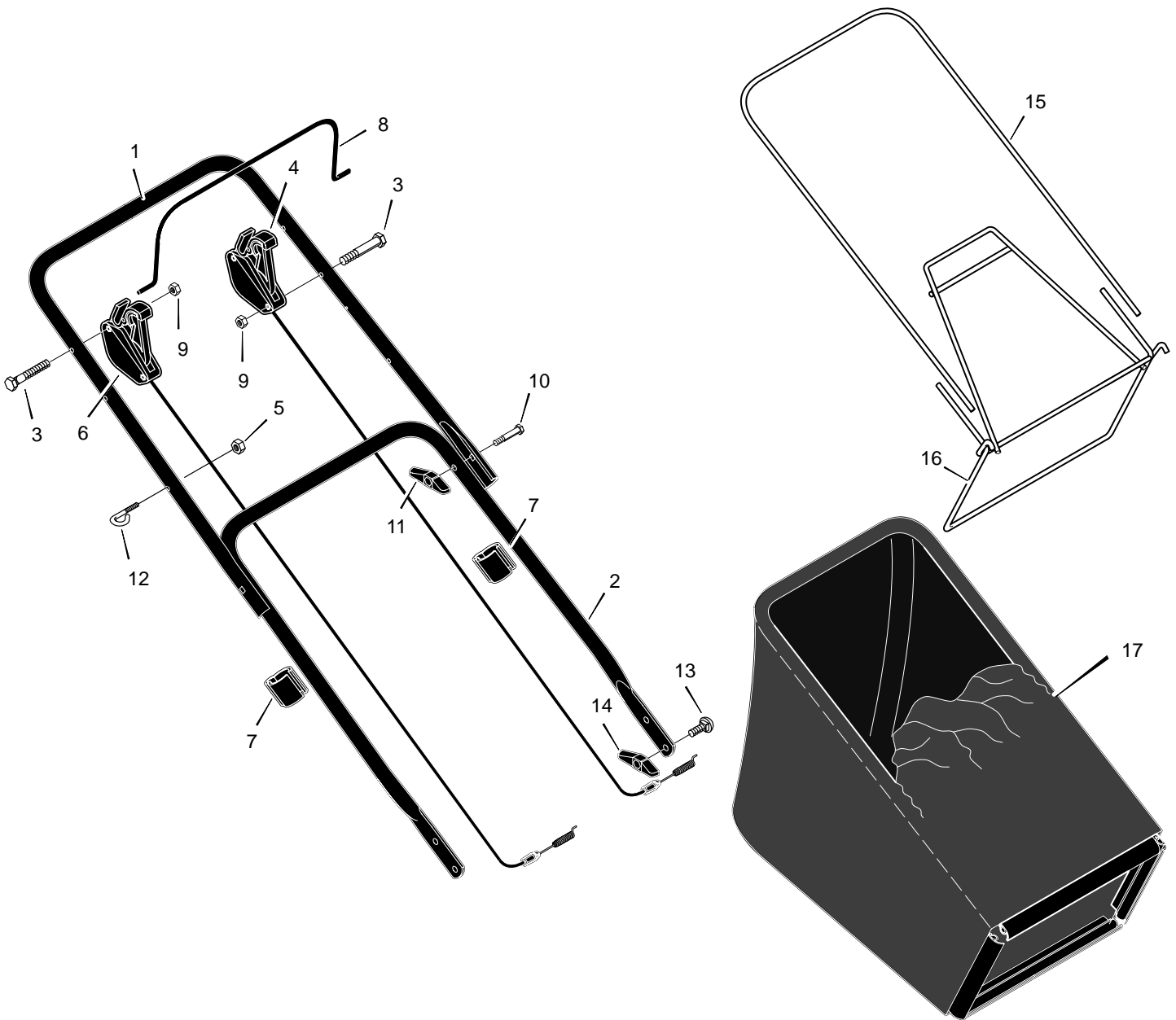
228610x68A

Key No.	Description	Part No.	Key No.	Description	Part No.
1	Housing		45	Adjuster, Right Front Height	1101028
2	Engine *	-----	46	Bolt	001x85
3	Pulley, Drive	1101436	48	Baffle, Rear **	672916E700
4	Spacer, Engine (Black)	1101331	49	Adjuster, Right Rear Height	672604
5	Cover, Belt (Black)	1101334	50	Push On Cap	028x49
6	Screw	26x303	51	Bracket, Right Handle	1101238E700
7	Adjuster, Left Rear Height	672605	52	Nut, Flange	015x79
8	Screw	26x303	53	Bolt	001x45
10	Transmission – Note: There are no internal serviceable parts for the transmission.	1101435	54	Bracket, Left Handle	1101239E700
11	Spacer	043844	55	Bolt, Engine	025x11
12	Spring, Compression	164x27	57	Rod, Pivot	215x21
13	Nut	015x88	58	Door, Rear (Black)	1101070
14	Bolt	01x156	59	Screw	26x245
23	E–Ring	011x16	60	Spring	166x44
24	Washer	17x186	61	Guard, Rear	1101105
25	Gear, Pinion	071792	62	Wheel & Tire, Rear	071132
26	Adjuster, Left Front Height	1101029	66	Deflector, Chute	1101097
28	Belt	37x116	67	Push On Cap	028x42
29	Cap, Hub	672122	68	Rod, Pivot	215x19 Z
30	Nut, Flange	015x84	69	Spring, Torsion	166x38
31	Washer	17x169	70	Cover, Mulch (Black)	1101098
32	Wheel & Tire, Drive	071133	--	Book, Instruction	F–020461L
33	Washer	017x75	--	Decal, Warning Symbol	44x6832
34	Cover, Dust	071780	--	Decal, TUV 7 GS European Export	44x2929
37	Pin, Drive	043629	--	Decal, Drive Symbole (Handle)	44x2304
38	Blade	1101120E701	--	Decal, Start Symbol (Handle)	48x2060
39	Washer, Belleville	17x137	--	Decal, Murray Edition 55	48x2056
40	Washer	17x124	--	Decal, 3n1 Mulch/Bag/Mow	48x2057
41	Bolt	01x144	--	Decal, 60 Murray Edition	48x2059
42	Adapter, Blade	1101336	--	Decal, Side Discharge	48x2061
43	Baffle, Front **	672915E700	--	Decal, Belt Pinch Symbol	48x2062
44	Nut, Flange	015x68	--	Decal, EZ Start Control	48x2058
--			--	Decal, Stop Lever Symbol	48x1181

* Parts are available from an Authorized Engine Service Center. See “Engines, Gasoline” or “Gasoline Engines” in the yellow pages of the telephone directory.

** Included with Housing, Key No. 1.

228610x68A



Key No.	Description	Part No.
1	Handle, Upper	1101613E701
2	Handle, Lower	672906E701
3	Bolt	26x307
4	Control, Drive	1101610
5	Locknut	15x116
6	Control, Starter	1101611
7	Fastener, Cable	1101353
8	Lever, Stop	1101612E701
9	Nut	15x142

Key No.	Description	Part No.
10	Bolt	002x77
11	Knob	071294
12	Guide, Rope	071530
13	Bolt, Carriage	002x81
14	Knob, Plastic	071495
15	Tube, Bag	1101075
16	Frame Assembly	1101074
17	Bag, Cloth	1101036