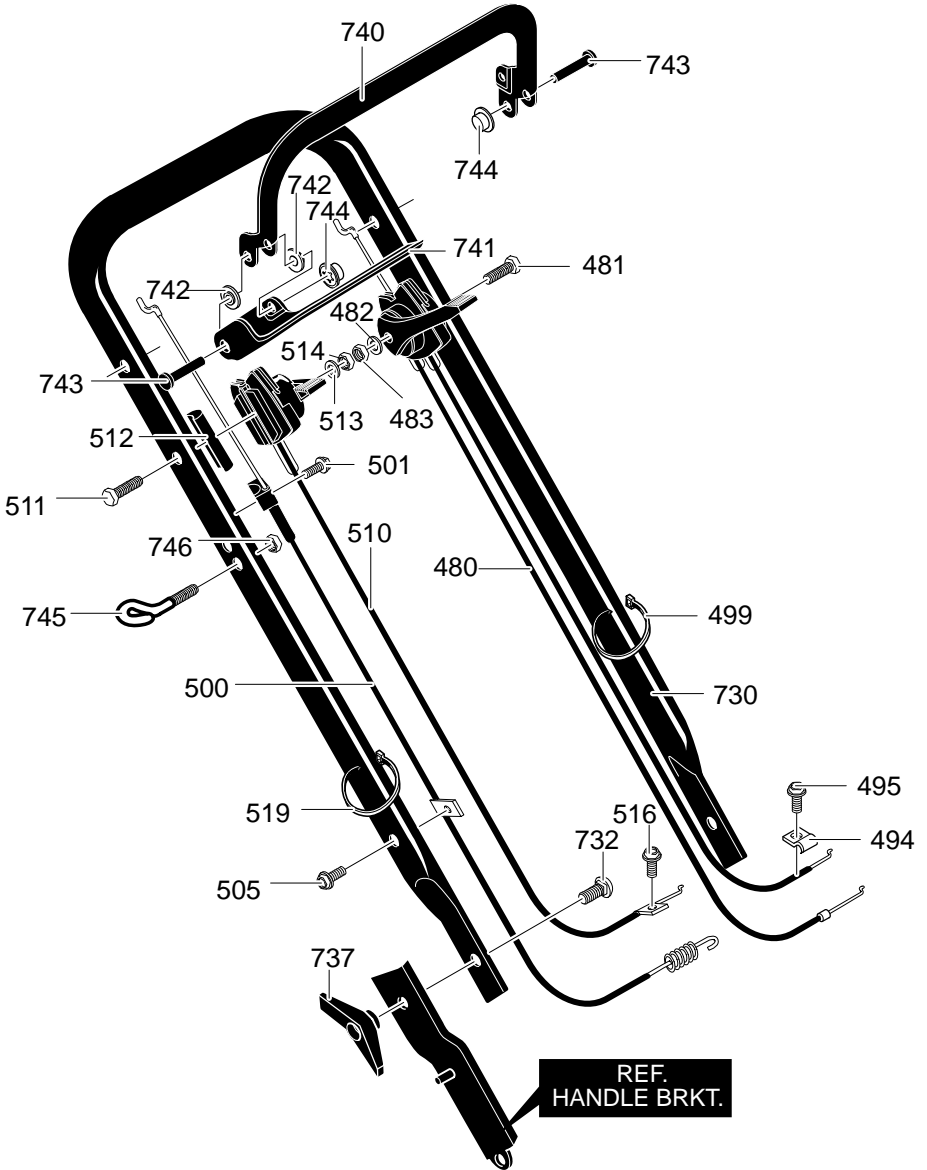


# MODEL 22856x50C

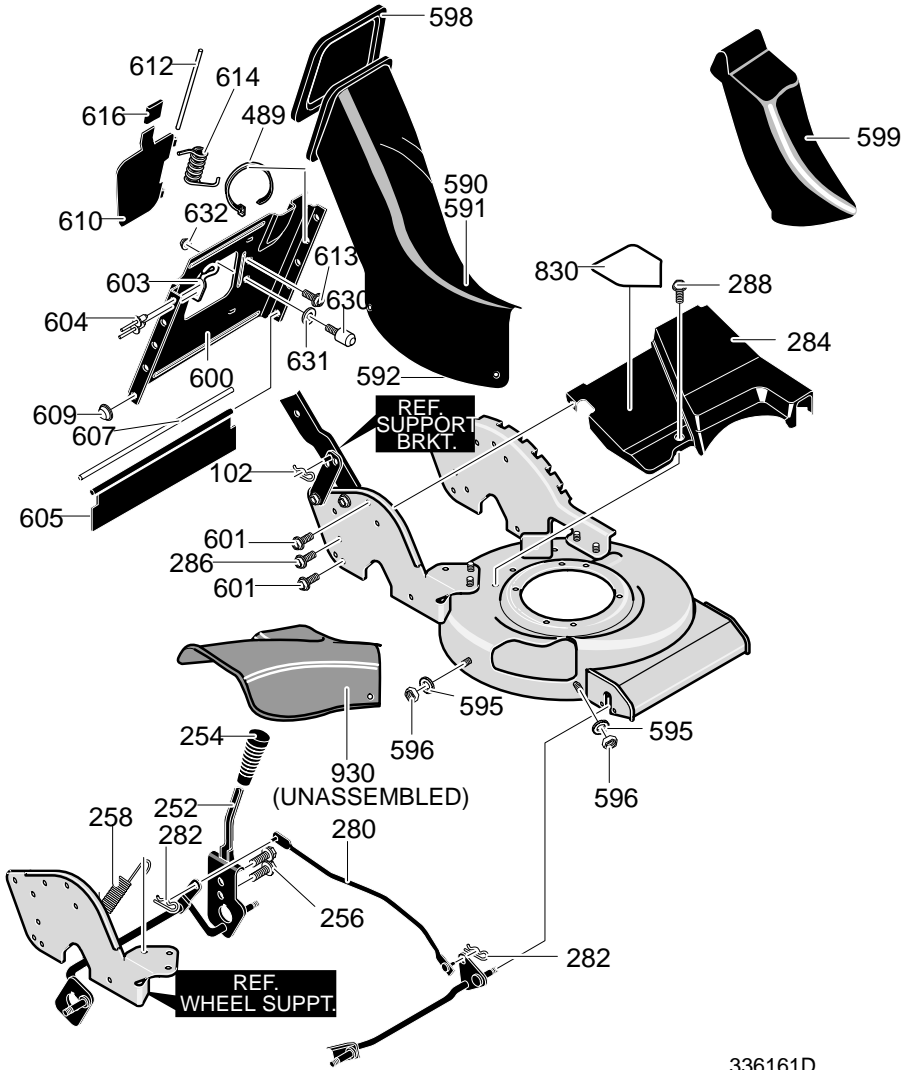


335915D

# MODEL 22856x50C

KEY NO.	DESCRIPTION	PART NO.	KEY NO.	DESCRIPTION	PART NO.
480	Cable, Restart & Throttle	671594	514	Nut, 1/4-20	710203
481	Screw, 1/4-20x2.50	710166	516	Screw, 10-32x.62	710275
482	Flatwasher	120385	519	Cable Tie	712267
483	Nut, 1/4-20	710203	730	Handle	671713-806
494	Clamp, Throttle	12425	732	Bolt, 5/16-18x1.5 Carr.	710176
495	Screw, 10-32x.62	710275	737	Knob, Wing	671495
499	Cable Tie	57444	740	Lever, Stop	671567
500	Cable, Drive Assy.	671593	741	Lever, Drive Control	671566
501	Screw, #10-16x1.25	710272	742	Washer, Nylon	339065
505	Screw, 10-16x.50	710273	743	Pin, Clevis	710289
510	Cable, Shifter Speed	671595	744	Cap, Push On	710285
511	Screw, 1/4-20x3.00	710165	745	Rope Guide	643956
512	Spacer, T-Control	671635	746	Nut, 1/4-20	710203
513	Flatwasher	120385			

# MODEL 22856x50C

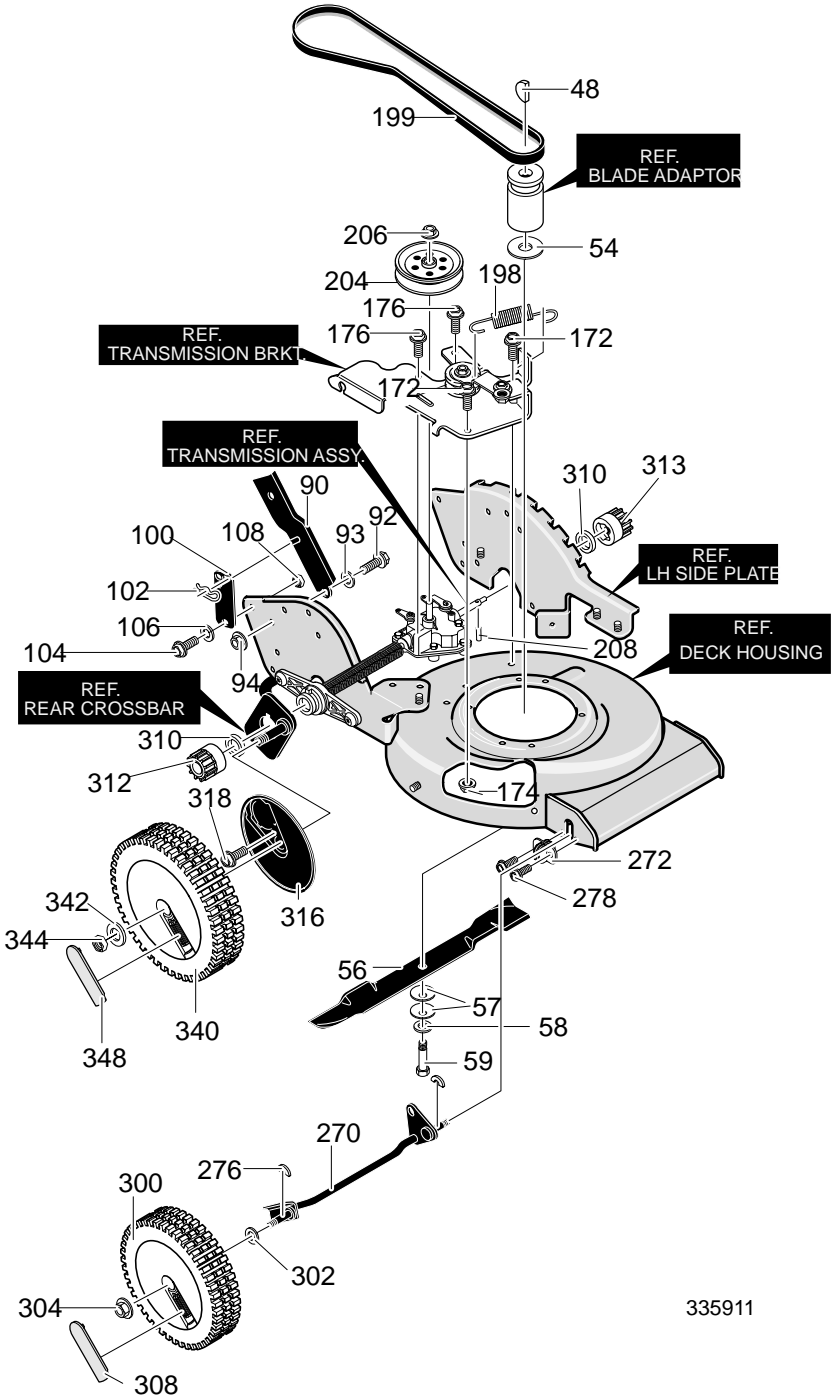


336161D

# MODEL 22856x50C

KEY NO.	DESCRIPTION	PART NO.	KEY NO.	DESCRIPTION	PART NO.
102	Hair Pin	710291	600	Plate, Bag	671298-806
252	Spring, Lever Hgt/Adj	672278	601	Screw, 5/16-18x.62	710276
254	Knob, Hgt/Adj	671297	603	Rope Guide	671443
256	Screw, 1/4-20x.63	710274	604	Rivet, Pop	710259
258	Tension Spring	710337	605	Guard, Rear Toe	671289
280	Lifter, Assy Link	671328-860	607	Rod, Rear Guard	671319
282	Hair Pin	710292	609	Cap, Push On	710285
284	Rear Cover	671836	610	Door, Rear	671299-806
286	Screw, 1/4-20x.63	710180	612	Pin, Hinge Door	671300
288	Screw, 10-16x.75	710269	613	Screw, #8-32x.38	710267
489	Cable Tie	57444	614	Spring, Torsion	335572
590	Chute RR Discharge	671837	616	Grip, Door	671306
591	Chute, Floor Rear	672230	630	Pin, 5/16-18	53446
592	Rivet, Pop	710260	631	Flatwasher	120393
595	Flatwasher	710142	632	Nut, 5/16-18	120376
596	Nut, 5/16-18	710205	830	Decal, Cut Finger	44x5430
598	Gasket, Compression	71906	930	Chute, Side Discharge	671839
599	Plug, Mulcher	671373	--	Instruction Book	F-000436M

# MODEL 22856x50C

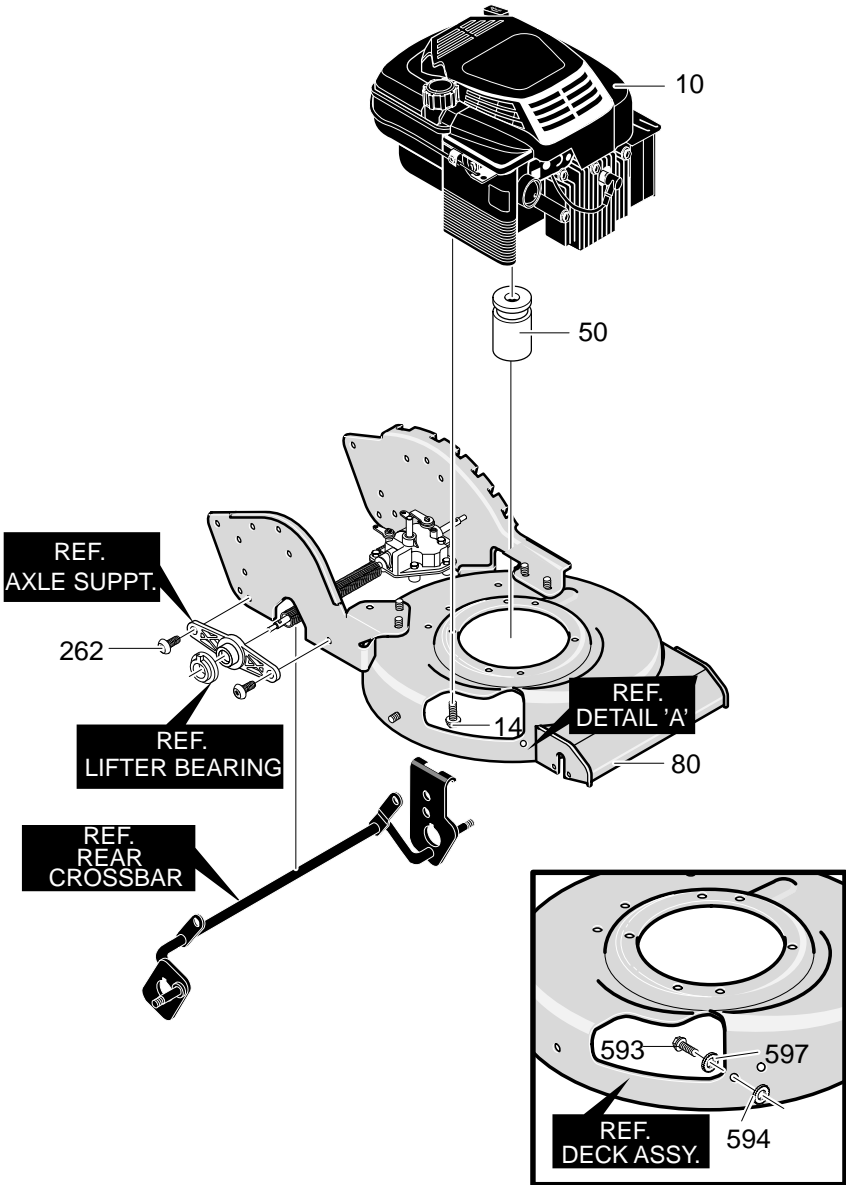


335911

# MODEL 22856x50C

KEY NO.	DESCRIPTION	PART NO.	KEY NO.	DESCRIPTION	PART NO.
48	Key, Woodruff	2125	204	Engine Pulley	671288
54	Spacer, Blade Adapter	671470	206	Nut, Hnyl	335696
56	Blade, 22" Mulch	671849	208	Drive Pin	643629
57	Washer	710210	270	Crossbar, Assy. Front	671325-860
58	Flatwasher	710207	272	Clip, Front Axle	671292
59	Screw, 3/8-24x2.00	710201	276	Bushing, Front Hsing	671291
90	Bracket, Assy. Handle	671317-806	278	Screw, 1/4-20x.63	710274
92	Bolt, HSH 3/8-16	710184	300	Tire & Rim	643724
93	Washer, Spring	710258	302	Washer, Spring	710258
94	Nut, 3/8-16	710140	304	Nut, 3/8-16	710140
100	Strap, Handle Adj.	671318-806	308	Hubcap	643847
102	Hair Pin	710291	310	Flatwasher	710254
104	Bolt, HSH 3/8-16	710184	312	Gear, Pinion RH	671286
106	Washer, Spring	710258	313	Gear, Pinion LH	671287
108	Nut, 3/8-16	710140	316	Dustcover, 8" Wheel	643616
172	Bolt, HSH 3/8-16	710184	318	Screw, 1/4-20x.50	710264
174	Nut, 3/8-16	45171	340	Wheel, Drive	643617
176	710268	710268	342	Flatwasher	710252
198	Tension Spring	710328	344	Nut, 3/8-16	710140
199	Belt, V3L	335694	348	Hubcap, 8" Wheel	643615

# MODEL 22856x50C



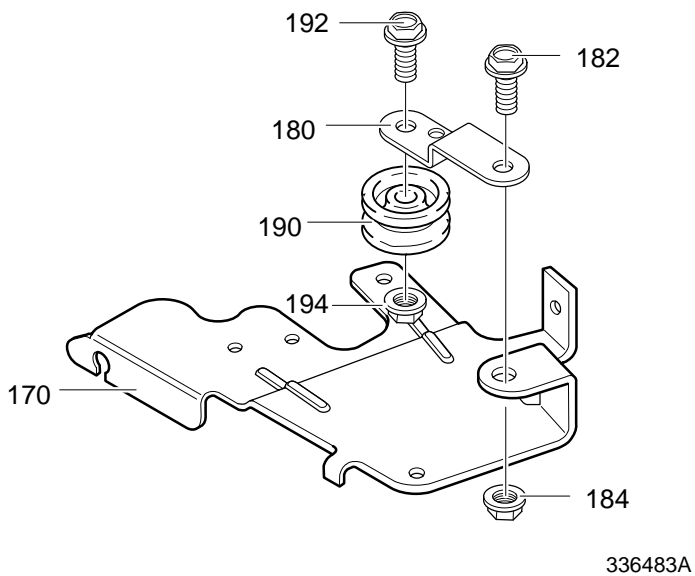
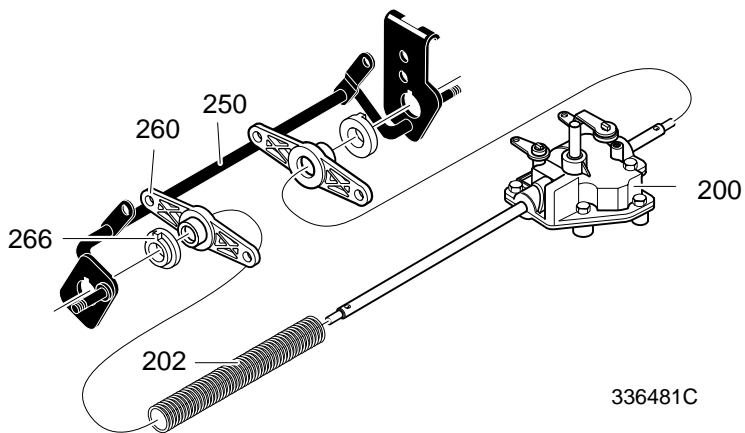
336482B

# MODEL 22856x50C

<b>KEY NO.</b>	<b>DESCRIPTION</b>	<b>PART NO.</b>
10	Engine, 6HP	-----
14	Screw, 3/8-16x1.00	47792
50	Adapter, Blade Pulley	671285
80	Frame Assy.	671377-860
262	Screw, 5/16-18x.63	710277
593	Bolt, 5/16-18x.63 Carr.	57072
594	Nut, Retainer	710288
597	Flatwasher	2968



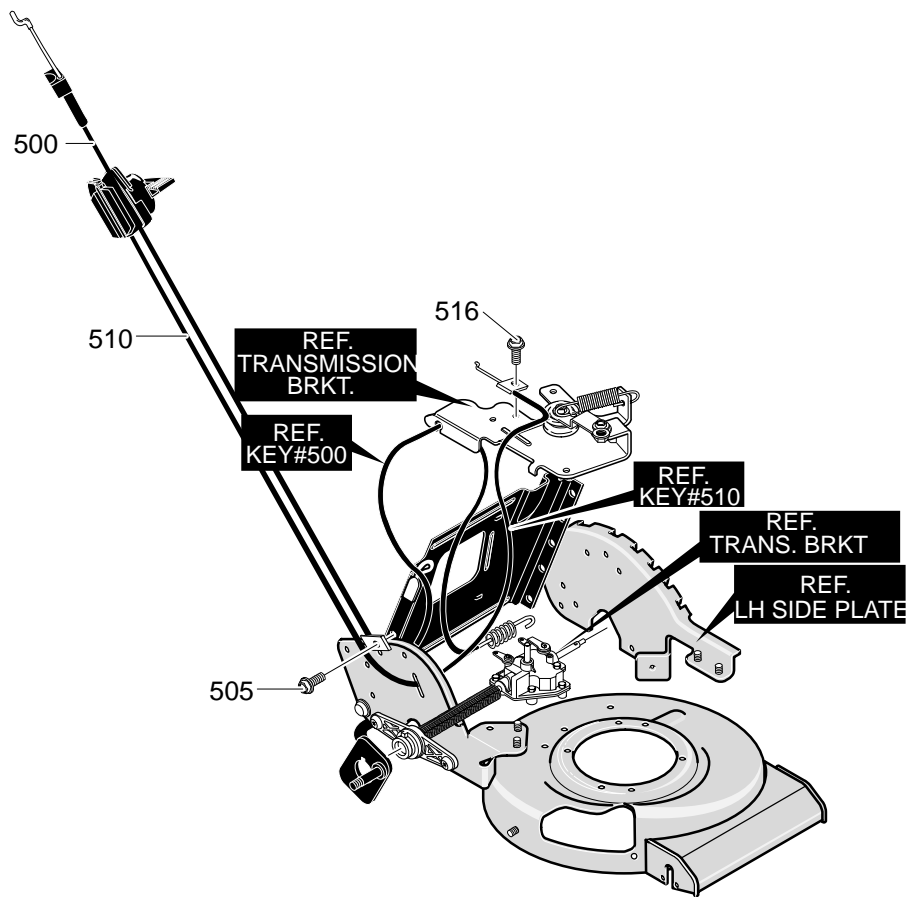
# MODEL 22856x50C



# MODEL 22856x50C

<b>KEY NO.</b>	<b>DESCRIPTION</b>	<b>PART NO.</b>
170	Bracket	338842
180	Idler, Arm	336480
182	Bolt, HSSH 3/8-16	710200
184	Nut, 3/8-16	710140
190	Pulley, Idler	671054
192	Screw, 5/16-18x1.13	180080
194	Nut, 5/16-18	710205
200	Transmission 3 Speed	671374
202	Shield, Axle	643649
250	Crossbar Assy., Rear	671315-860
260	Support, Axle w/bring	671411
266	Bearing, Lifter	643788

# MODEL 22856x50C

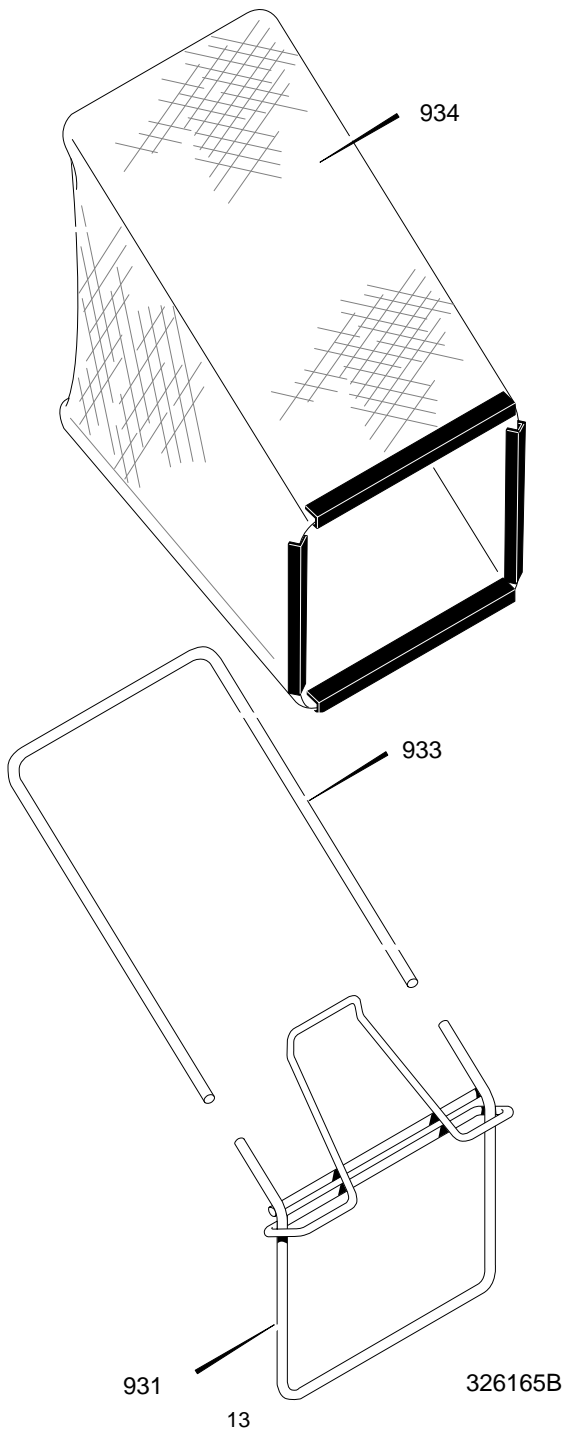


336486A

# MODEL 22856x50C

<b>KEY NO.</b>	<b>DESCRIPTION</b>	<b>PART NO.</b>
500	Cable, Drive Assy.	671593
505	Screw, 10-16x.50	710273
510	Cable, Shifter Speed Ctl	671595
516	Screw, 10-32x.62	710275

# MODEL 22856x50C



# MODEL 22856x50C

<b>KEY NO.</b>	<b>DESCRIPTION</b>	<b>PART NO.</b>
931	Bag, Frame Assy.	671303
933	Frame, Catcher Bag	671307
934	Bag, Catcher	672053