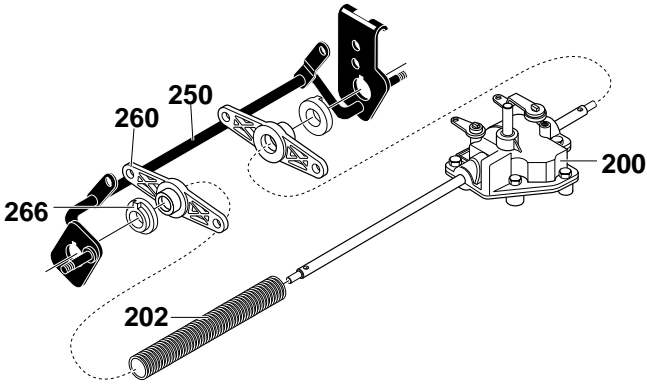


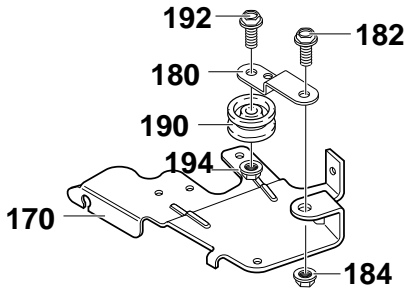
KEY

NO.	PART NO.	DESCRIPTION
10		ENGINE 5.0 QXTE IC (See Engine Manual)
14	MU47792	SCREW, 3/8-16X1.00
50	MU671285	ADAPTER, BLADE PULLEY
80	MU671377-810	FRAME ASSY. 22"
262	MU710277	SCREW, 5/16-18X.63
593	MU57072	BOLT, 5/16-18X.63 CARR.
594	MU710288	NUT, RETAINER 5/16-18X.62
597	MU2968	WASHER, FLAT .504X.75X.059
	MU339313	OWNER'S MANUAL

KEY NO.	PART NO.	DESCRIPTION
48	MU2125	KEY, WOODRUFF
54	MU671470	SPACER, BLADE APAPTER
56	MU671849	BLADE, 22" MULCH 3N1
57	MU710210	WASHER, .39IDX3.250ODX.12 BELLVIL
58	MU710207	WASHER, FLAT .406X.812X.06
59	MU710201	SCREW, 3/8-24X2.00
90	MU671317-846	BRACKET, ASSY HANDLE
92	MU710184	BOLT, .497X.215 HSH 3/8-16
93	MU710258	WASHER, SPRING .50X1.0X.021
94	MU710140	NUT, 3/8-16 HWDFLLK MACK 15X84
100	MU671318-846	STRAP, HANDLE ADJUSTER
102	MU710291	PIN, HAIR .062DIA
104	MU710184	BOLT, .497X.215 HSH 3/8-16
106	MU710258	WASHER, SPRING .50X1.0X.021
108	MU710140	NUT, 3/8-16 HWDFLLK MACK 15X84
172	MU710184	BOLT, .497X.215 HSH 3/8-16
174	MU45171	NUT, 3/8-16 HWDFL WHIZ-LOCK
176	MU710268	SCREW, 5/16-18X.75 WAHHTAP
198	MU710328	SPRING, TENSION .81X2.68
199	MU335694	BELT, V3L 35.73LG
204	MU671288	PULLEY, ENGINE V3L 3.443X.645
206	MU335696	NUT, M10X1.5 HNYL
208	MU643629	PIN, DRIVE .177X.750
270	MU671325-810	BROSSBAR, ASSY FRONT
272	MU671291	BUSHING, FRONT HOUSING
276	MU671292	CLIP, FRONT AXLE
278	MU710274	SCREW, 1/4-20X.63 HHWATAP
300	MU643724	TIRE & RIMSEPU 8X2
302	MU710258	WASHER, SPRING .50X1.0X.021
304	MU710140	NUT, 3/8-16 HWDFLLK MACK 15X84
308	MU643847	HUBCAP, 8" W/BALLBEARING
310	MU710254	WASHER, FLAT .502X.99X.031
312	MU671286	GEAR, PINION RH
313	MU671287	GEAR, PINION LH
316	MU643616	DUSTCOVER, 8" WHEEL
318	MU710264	SCREW, 1/4-20X.50 WAHHTAP
340	MU643617	WHEEL, DRIVE 8"X2.00
342	MU710252	WASHER, FLAT .382X1.0X.03
344	MU710140	NUT, 3/8-16 HWDFLLK MACK 15X84
348	MU643615	HUBCAP, 8" WHEEL



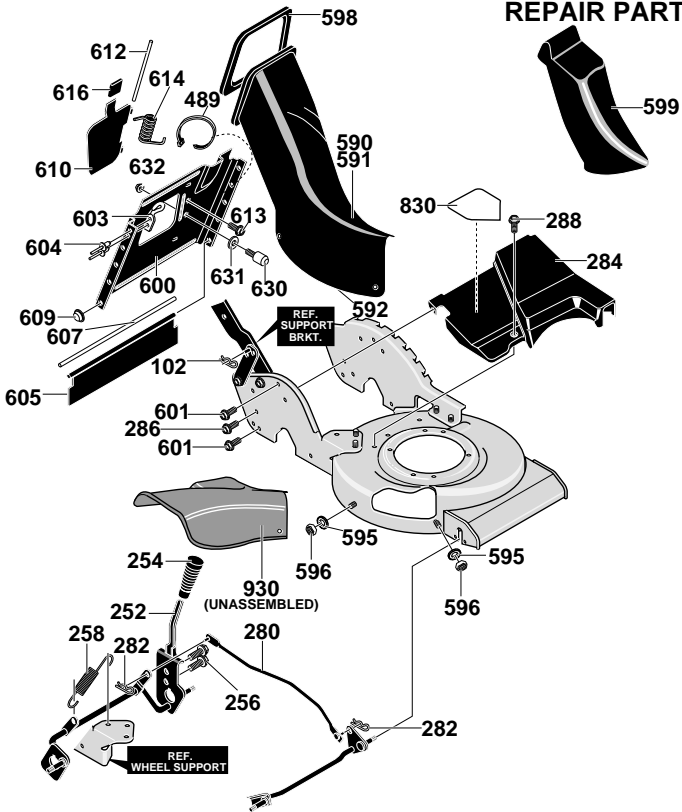
KEY NO.	PARTNO.	DESCRIPTION
200	MU671374	TRANSMISSION 3 SPEED
202	MU643649	SHIELD, AXLE
250	MU671315-810	CROSSBAR, ASSY REAR
260	MU671411	SUPPORT, AXLE W/BEARING
266	MU643788	BEARING, LIFTER



KEY NO.	PARTNO.	DESCRIPTION
170	MU338842	BRACKET, TRANSMISSION
180	MU336480	IDLER ARM
182	MU710200	BOLT, .497X.138 HSSH 3/8-16
184	MU710140	NUT, 3/8-16 HWDFLLK MACK 15X84
190	MU671054	PULLEY, IDLER
192	MU180080	SCREW 5/16-18X1.13
194	MU710205	NUT, 5/16-18 WDFLLK 15X88

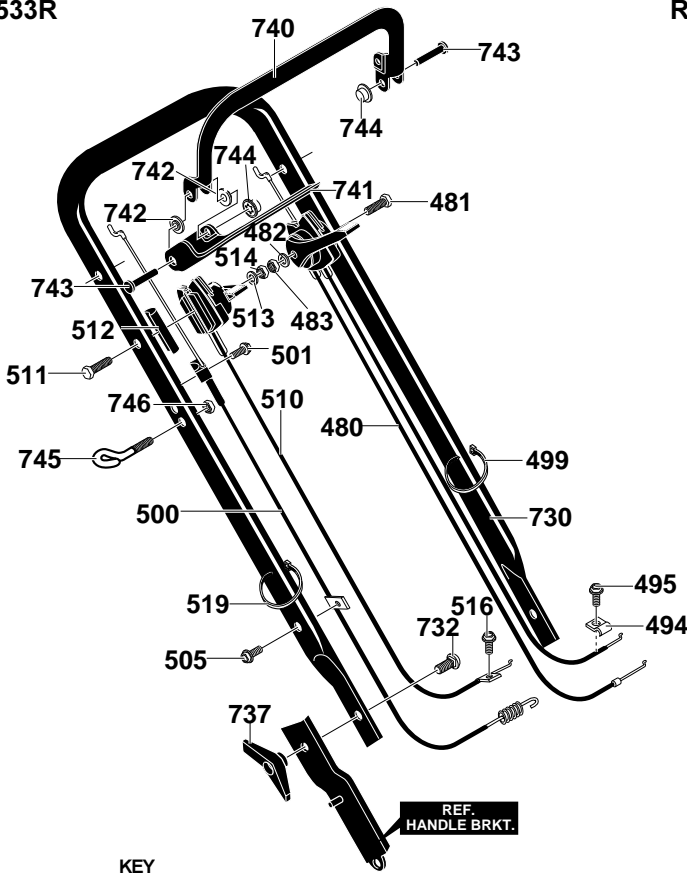
MODEL 533R

REPAIR PARTS

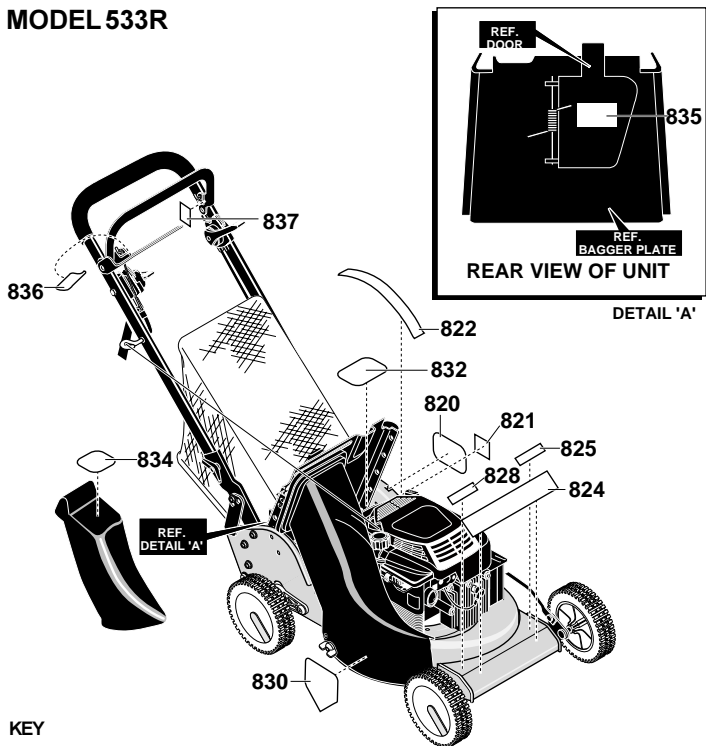


KEY

NO.	PART NO.	DESCRIPTION
102	MU710291	HAIR PIN
252	MU672278	SPRING, LEVER HGT/ADJ REAR
254	MU671297	KNOB, HGT/ADJ
256	MU710274	SCREW, 1/4-20X.63 HHWATAP
258	MU710337	SPRING, EXTENSION .953X3.25
280	MU671328-810	LIFTER, ASSY LINK
282	MU710292	PIN, HAIR .080DIA X1.63LG
284	MU671547	COVER, REAR
286	MU710180	SCREW, 1/4-20X.63
288	MU710269	SCREW, 10-16X.75 SLHWATAP
489	MU712267	TIE, CABLE
590	MU671296	CHUTE, RR DISCH 22 3N1
591	MU672230	CHUTE FLOOR, REAR
592	MU710260	RIVET, POP .125DIA X.39LG
595	MU710142	WASHER, FLAT .406X.81X16GA
596	MU710205	NUT, 5/16-18 WDFLLK 15X88
598	MU71906	GASKET, COMPRESSION
599	MU671373	PLUG, MULCHER
600	MU671298-846	PLATE, BAG
601	MU710276	SCREW, 5/16-18X.62 HHWATAP
603	MU671443	GUIDE, ROPE LOWER .25ID
604	MU710259	RIVET, POP .187DIA X.44LG
605	MU671289	GUARD, REAR TOE
607	MU671319	ROD, REAR GUARD
609	MU710285	CAP PUSH ON .250 DIA ROD
610	MU671299-846	DOOR, REAR
612	MU671300	PIN, HINGE DOOR
613	MU710267	SCREW, #8-32X.38 HHWATAP
614	MU335572	SPRING, TORSION .440DX2.32LG
616	MU671306	GRIP, DOOR
630	MU53446	PIN, HINGE HOOD LATCH
631	MU120393	WASHER, FLAT .344X.69X.065
632	MU120376	NUT, 5/16-18 REGHEX
830	MU402701	DECAL, CAUTION DECK RH CUT HND
930	MU671295	CHUTE, SIDE DISCHARGE



KEY NO.	PART NO.	DESCRIPTION
480	MU671594	CABLE, RESTART & THROTTLE
481	MU710166	SCREW, 1/4-20X2.50
482	MU120385	WASHER, FLAT .250X.56X.065
483	MU710203	NUT, 1/4-20 HEXNYL 15X116
494	MU12425	CLAMP, THORTTLE
495	MU710275	SCREW, 10-32X.62 SLWAHTAP
499	MU712267	TIE, CABLE
500	MU671593	CABLE, DRIVE ASSY
501	MU710272	SCREW #10-16X.50 WAHHSEMSAB
505	MU710273	SCREW, 10-16X.50 WAHHSEMSAB
510	MU671595	CABLE, SHIFTER SPEED CONTROL
511	MU710165	SCREW 1/4-20X3.00
512	MU671635	SPACER, T-CONTROL
513	MU120385	WASHER, FLAT .250X.56X.065
514	MU710203	NUT, 1/4-20 HEXNYL 15X116
516	MU710275	SCREW, 10-32X.62 SLWAHTAP
519	MU712267	CABLE TIE
730	MU671713-846	HANDLE
732	MU710176	BOLT, 5/16-18X1.50 CARR.
737	MU671495	KNOB, WING 5/16-18 NYL NUT
740	MU671567	LEVER, STOP
741	MU671566	LEVER, DR CNTRL
742	MU339065	WASHER, NYLON
743	MU710289	PIN, CLEVIS
744	MU710285	CAP, PUSH ON
745	MU643956	GUIDE, ROPE 1/4-20
746	MU710203	NUT, 1/4-20 HEXNYL 15X116



KEY NO.	PART NO.	DESCRIPTION
820	MU339445	DECAL, NOISE LEVEL
821	MU671706	LAMINATE
822	MU335633	DECAL, LIFT INDICAT 1-7
824	MU339444	NAMEPLATE, "HAYTER" 3N1
825	MU336232	DECAL, DOUBLE 3
830	MU402701	DECAL, CAUTION DECK RHCUT HAND
832	MU710764	DECAL, CAUTIONEXPORT
834	MU339152	DECAL, WARNING MUL EXP PLUG
836	MU336279	DECAL, DRIVE LEVER
837	MU339481	DECAL, STOP LEVERTOP

KEY NO.	PART NO.	DESCRIPTION
931	MU671303	FRAME, ASSY GRASS BAG
933	MU671307	TUBE, GRASS BAG
934	MU71907	BAG, CLOTH

