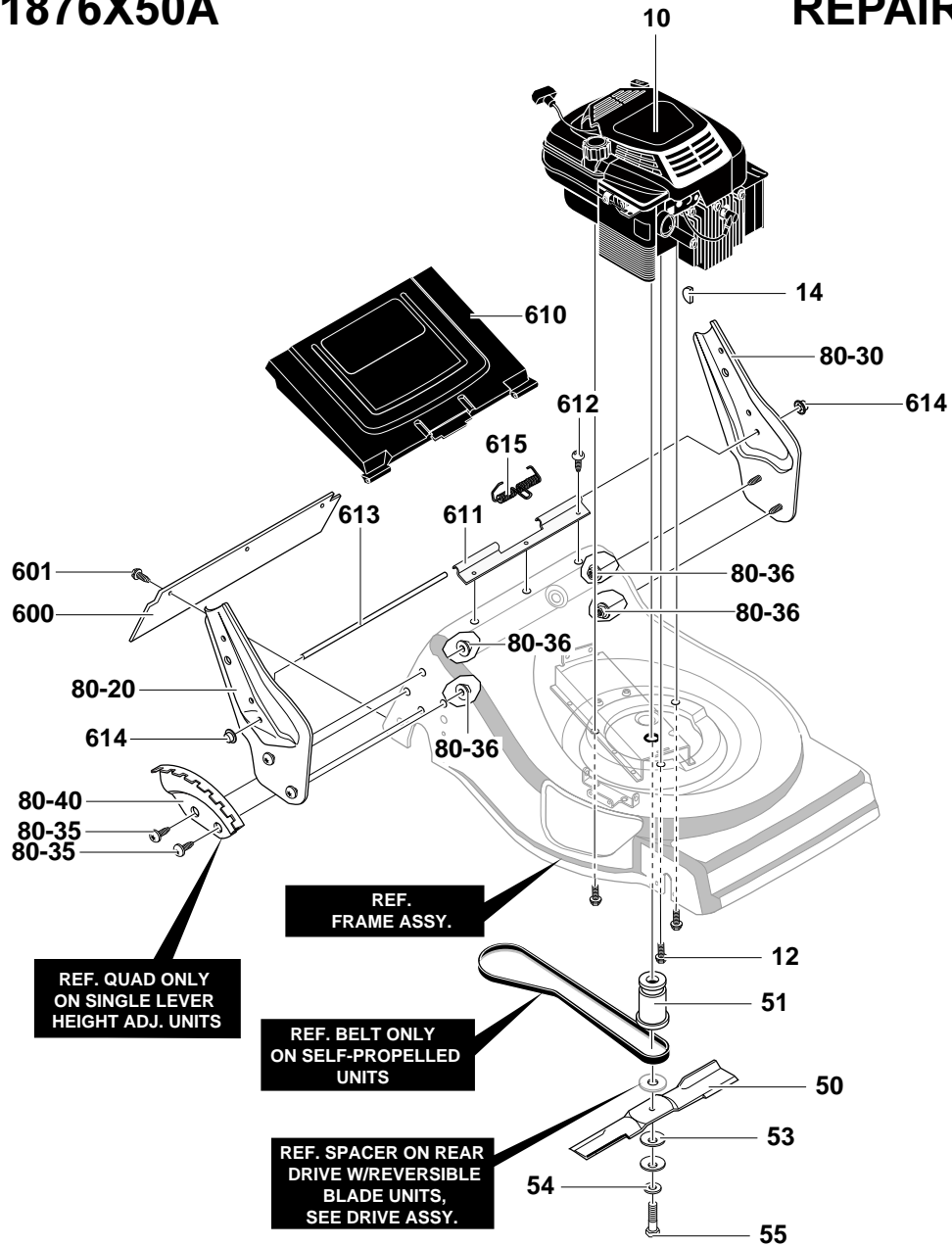


MODEL 21876X50A

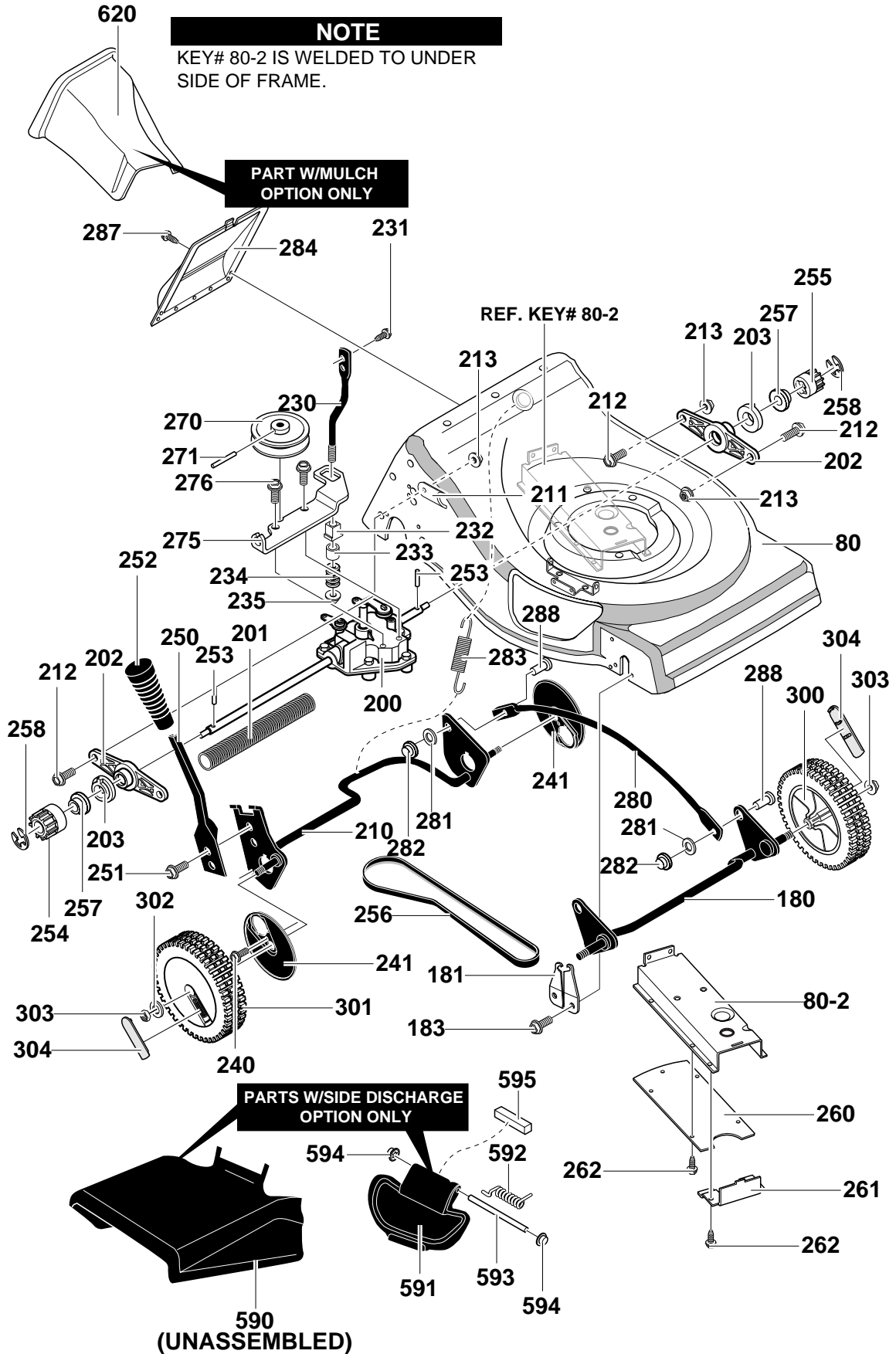
REPAIR PARTS



| KEY# | PART# | DESCRIPTION |
|-------|--------|----------------------------------|
| 10 | - | SEE ENGINE MANUAL |
| 12 | 47792 | SCREW, 3/8-16X1.00 |
| 14 | 2125 | WOODRUFF KEY |
| 50 | 71877 | BLADE, 21" |
| 51 | 671058 | ADAPTER, BLADE 21" |
| 53 | 710210 | WASHER, .39IDX2.25ODX.12 BELLVIL |
| 54 | 710207 | WASHER, FLAT.406X.812X.06 |
| 55 | 710163 | SCREW, 3/8-24X1.50 HHC |
| 80-20 | 672266 | BRACKET, HANDLE RH |
| 80-30 | 672267 | BRACKET, HANDLE LH |
| 80-35 | 710277 | SCREW, 5/16-18X.63 |
| 80-36 | 710204 | NUT, 5/16-18 HEXWDFLLKWHIZ |
| 80-40 | 672276 | QUADRANT, HEIGHT ADJ |
| 600 | 43640 | DEFLECTOR, REAR |
| 601 | 710271 | SCREW, 10-16X.50 |
| 610 | 71833 | DOOR, REAR 21" |
| 611 | 672049 | SPACER, RR DOOR |
| 612 | 710273 | SCREW, 10-16X.50 |
| 613 | 672282 | ROD, PIVOT RR DOOR |
| 614 | 710285 | CAP, PUSH ON |
| 615 | 340823 | SPRING, TORSION |
| | 711801 | OPERATOR'S MANUAL |

MODEL 21876X50A

REPAIR PARTS

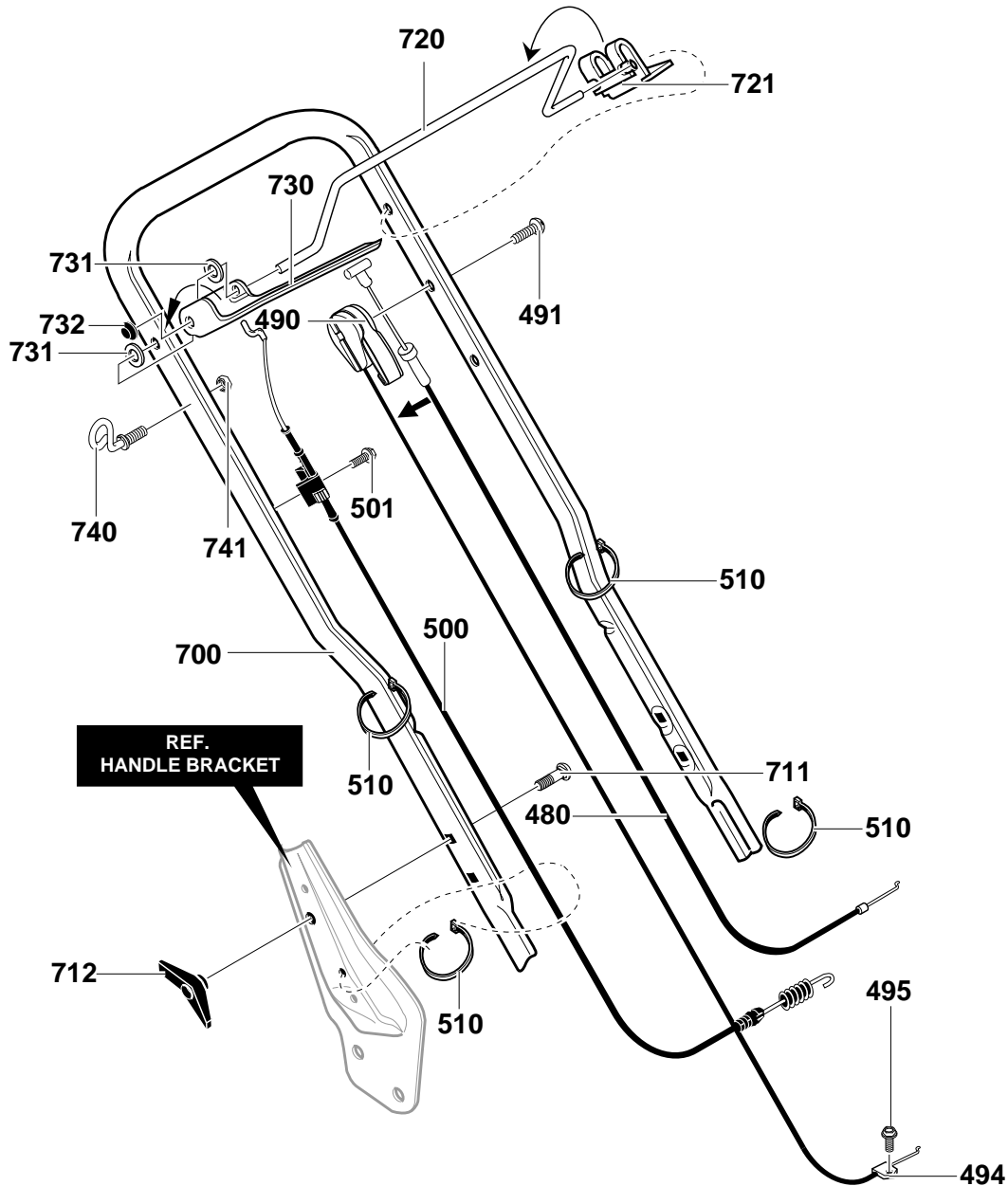


MODEL 21876X50A

REPAIR PARTS

| Key# | Part# | Description |
|------|------------|------------------------------|
| 80 | 672274-860 | ASSY, FRAME |
| 80-2 | 71238 | GUARD, BELT |
| 180 | 71152-860 | ASS'Y, CROSSBAR FRONT |
| 181 | 672279 | BUSHING, FRONT HOUSING |
| 183 | 710270 | SCREW, 1/4-14X.50 |
| 200 | 672042 | TRANSMISSION |
| 201 | 643649 | SHIELD, AXLE |
| 202 | 671411 | SUPPORT, AXLE W/BEARING |
| 203 | 643788 | BEARING, LIFTER |
| 210 | 672277-860 | ASSY, CROSSBAR |
| 211 | 71482 | RETAINER, BEARING |
| 212 | 180077 | SCREW, 5/16-18X.75 |
| 213 | 710205 | NUT, 5/16-18 WDFLLK |
| 230 | 71481 | SUPPORT, SPRING |
| 231 | 710274 | SCREW, 1/4-20X.63 |
| 232 | 71480 | BUSHING, SPRING SUPPORT |
| 233 | 43844 | SPACER, 508X.712X.563 |
| 234 | 710327 | SPRING, COMPRESSION |
| 235 | 710205 | NUT, 5/16-18 WDFLLK |
| 240 | 710270 | SCREW, 1/4-14X.50 |
| 241 | 643616 | DUSTCOVER, 8" WHEEL |
| 250 | 672278 | LEVER, SPRING HGT ADJ |
| 251 | 710274 | SCREW, 1/4-20X .63 |
| 252 | 671297 | KNOB, HGT/ADJ |
| 253 | 643629 | PIN, DRIVE |
| 254 | 671904 | GEAR, PINION RIGHT |
| 255 | 671903 | GEAR, PINION LEFT |
| 256 | 710190 | BELT, 2L V 15.75L |
| 257 | 710254 | WASHER, FLAT .502 X .99 .031 |
| 258 | 20864 | RING, RET E |
| 260 | 43770-860 | COVER, LOWER BELT GUARD |
| 261 | 71239-860 | COVER, FRONT BELT |
| 262 | 710273 | SCREW, 10-16X.50 |
| 270 | 672269 | PULLEY |
| 271 | 710294 | PIN, SPRING |
| 275 | 671925 | BRACKET, TRANSMISSION CABLE |
| 276 | 710264 | SCREW, 1/4-20X .50 |
| 280 | 43720-860 | LINK, LIFTER |
| 281 | 710272 | NUT, PUSH ON |
| 282 | 710285 | CAP, PUSH ON |
| 283 | 711459 | SPRING, EXTENSION |
| 284 | 71246-860 | COVER, REAR TRANSMISSION |
| 287 | 711863 | SCREW, 1/4-20X.63 |
| 288 | 711542 | PIN, CLEVIS |
| 300 | 671132 | TIRE & RIM, 8X2 |
| 301 | 671133 | WHEEL, DRIVE 8"X2 |
| 302 | 710252 | WASHER, FLAT |
| 303 | 710140 | NUT, 3/8-16HWDFLLK MACK |
| 304 | 672122 | HUBCAP, 8" WHEEL |
| 591 | - | OPTION NOT USED ON THIS UNIT |
| 592 | - | OPTION NOT USED ON THIS UNIT |
| 593 | - | OPTION NOT USED ON THIS UNIT |
| 594 | - | OPTION NOT USED ON THIS UNIT |
| 595 | - | OPTION NOT USED ON THIS UNIT |
| 620 | - | OPTION NOT USED ON THIS UNIT |

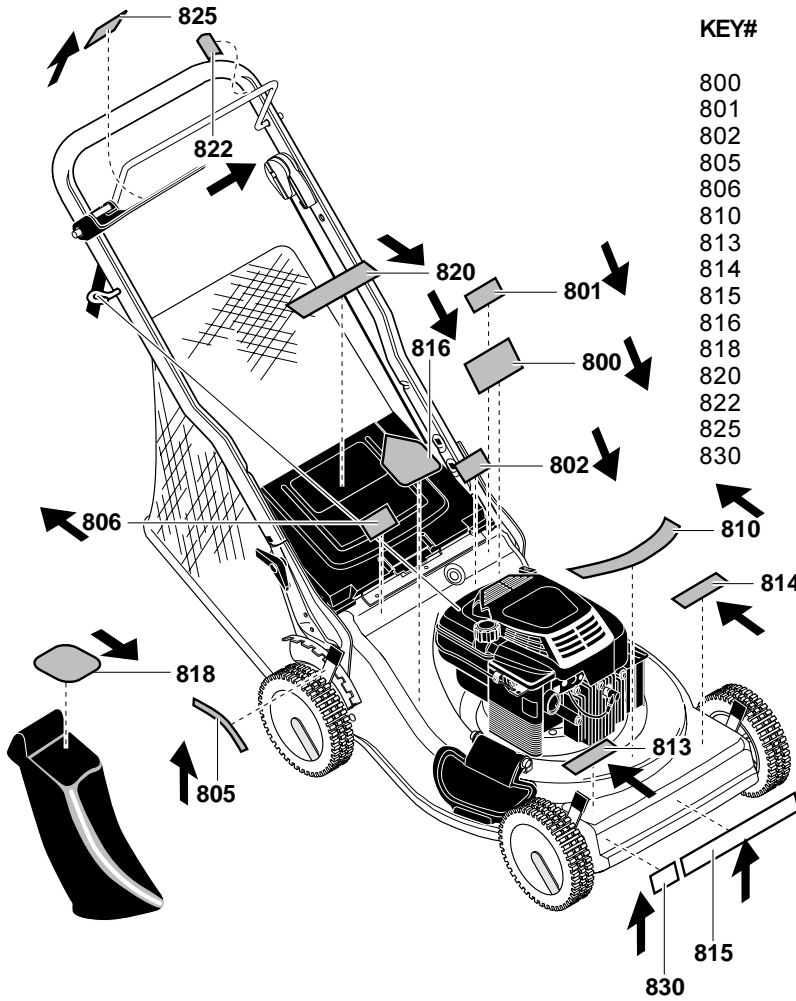
NOTE
KEY# 480 & 490 SNAP TOGETHER



| KEY# | PART# | DESCRIPTION |
|------|------------|-------------------------|
| 480 | 672530 | CABLE, STOP |
| 490 | 672539 | T-CABLE |
| 491 | 710178 | SCREW, 1/4-20X2.00 |
| 494 | 12425 | CLAMP, THROTTLE QUANTUM |
| 495 | 710275 | SCREW, 10-32X.62 |
| 500 | 672545 | CABLE, DRIVE 21 |
| 501 | 710269 | SCREW, #10-16 X1.25 |
| 510 | 712267 | TIE, BLACK CABLE |
| 700 | 672286-806 | HANDLE, 21" |
| 711 | 710175 | BOLT, 5/16-18X2.00 |
| 712 | 671294 | KNOB, WING 5/16-18 |
| 720 | 672429-860 | LEVER, STOP ENGINE WIRE |
| 721 | 643628 | BRACKET, STOP LEVER |
| 730 | 671566 | LEVER, DRIVE CONTROL |
| 731 | 710491 | WASHER, NYLON . |
| 732 | 710285 | CAP, PUSH ON |
| 740 | 672510 | GUIDE, ROPE |
| 741 | 710203 | NUT, 1/4-20 |

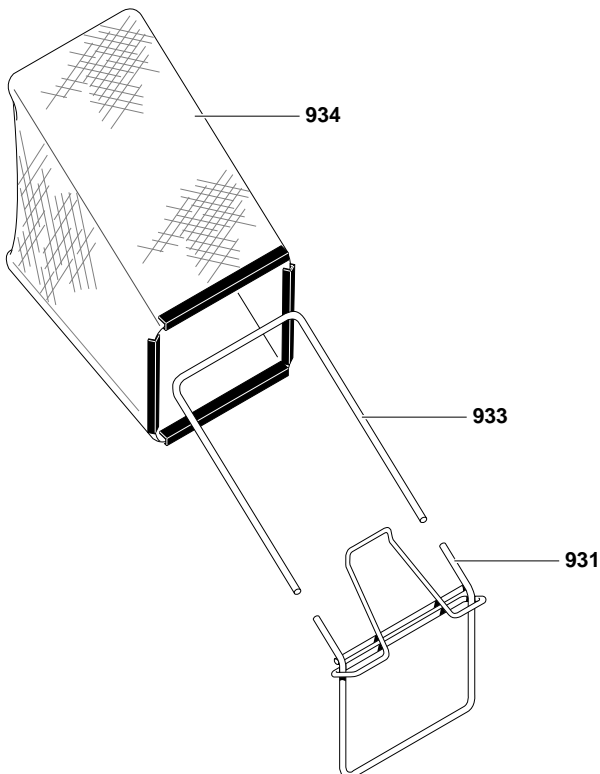
MODEL 21876X50A

REPAIR PARTS



| KEY# | PART# | DESCRIPTION |
|------|--------|------------------------|
| 800 | - | NOT A SERVICEABLE PART |
| 801 | - | NOT USED ON THIS UNIT |
| 802 | 318010 | DECAL,TUV |
| 805 | 340820 | DECAL,HEIGHT ADJ. |
| 806 | - | NOT USED ON THIS UNIT |
| 810 | 710448 | DECAL,"SENTINEL" |
| 813 | 710449 | DECAL,MOW/BAG |
| 814 | 710356 | DECAL,"POWER PROP" |
| 815 | - | NOT USED ON THIS UNIT |
| 816 | 402701 | DECAL, CAUTION DECK RH |
| 818 | - | NOT USED ON THIS UNIT |
| 820 | 710764 | DECAL, CAUTION EXPORT |
| 822 | 339481 | DECAL, STOP LEVER |
| 825 | 336279 | DECAL, DRIVE LEVER |
| 830 | - | NOT USED ON THIS UNIT |

343646A



| KEY# | PART# | DESCRIPTION |
|------|--------|------------------------|
| 931 | 672293 | ASSY, BAG FRAME |
| 933 | 71592 | FRAME, CATCHER BAG TOP |
| 934 | 672574 | BAG,CATCHER |

326165 B