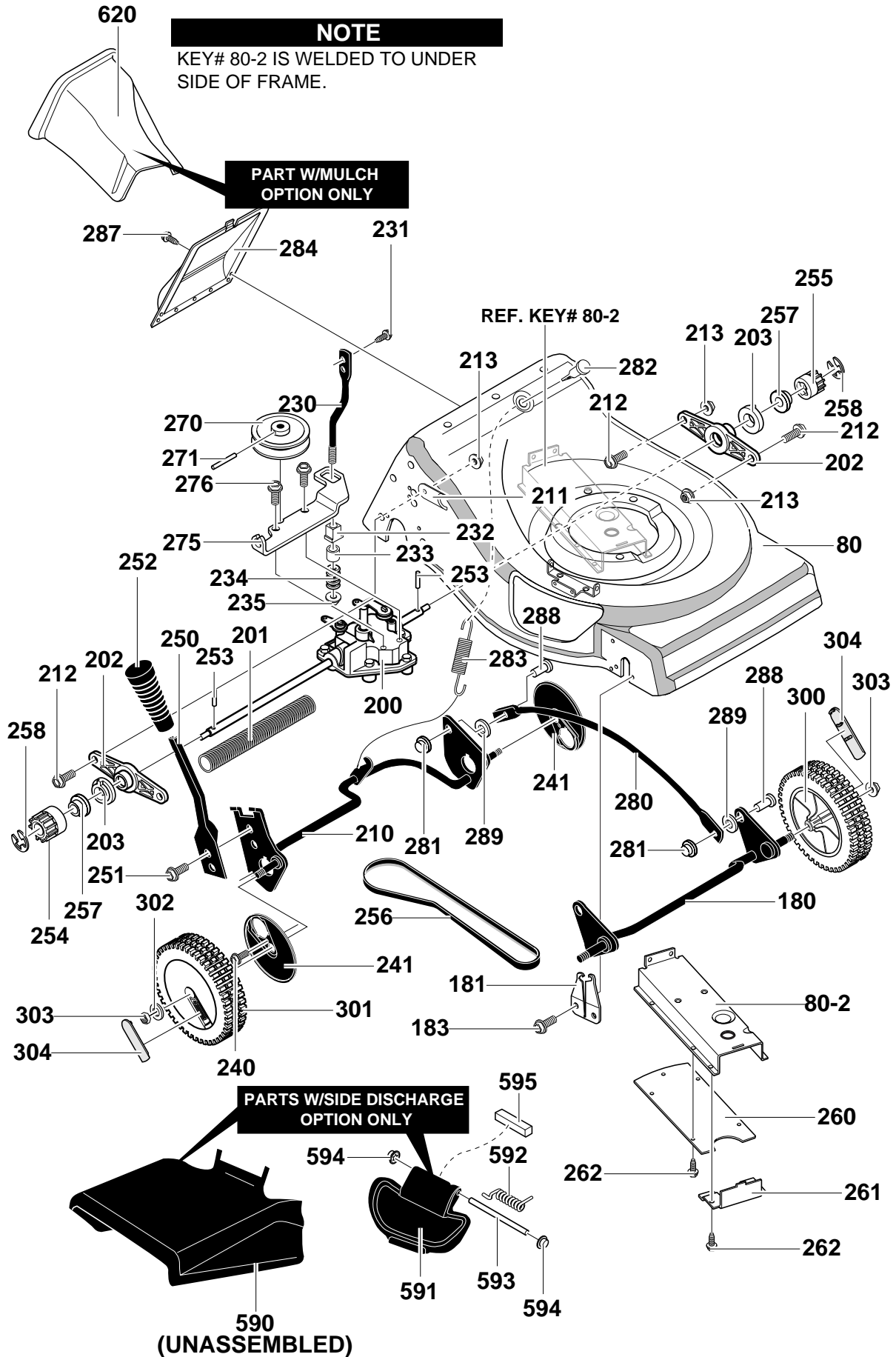


KEY#	PART#	DESCRIPTION
10	-	SEE ENGINE MANUAL
12	47792	SCREW, 3/8-16X1.00
14	785341	WOODRUFF KEY
50	71877	BLADE, 21
51	671058	ADAPTER, BLADE 21"
53	710210	WASHER, 39IDX2.25ODX.12 BELLVIL
54	710207	WASHER, FLAT.406X.812X.06
55	710163	SCREW, 3/8-24X1.50 HHC
80-20	672266	BRACKET, HANDLE RH
80-30	672267	BRACKET, HANDLE LH
80-35	710277	SCREW, 5/16-18X.63
80-36	710204	NUT, 5/16-18 HEXWDFLLKWHIZ
80-40	672276	QUADRANT, HEIGHT ADJ
600	43640	DEFLECTOR, REAR
601	710271	SCREW, 10-16X.50
610	71409	DOOR, REAR 21
611	71410	SPACER, RR DOOR
612	710273	SCREW, 10-16X.50
613	672282	ROD, PIVOT RR DOOR
614	710285	CAP, PUSH ON.
615	340823	SPRING, TORSION
	711807	OPERATOR'S MANUAL

MODEL 21875X51A

REPAIR PARTS

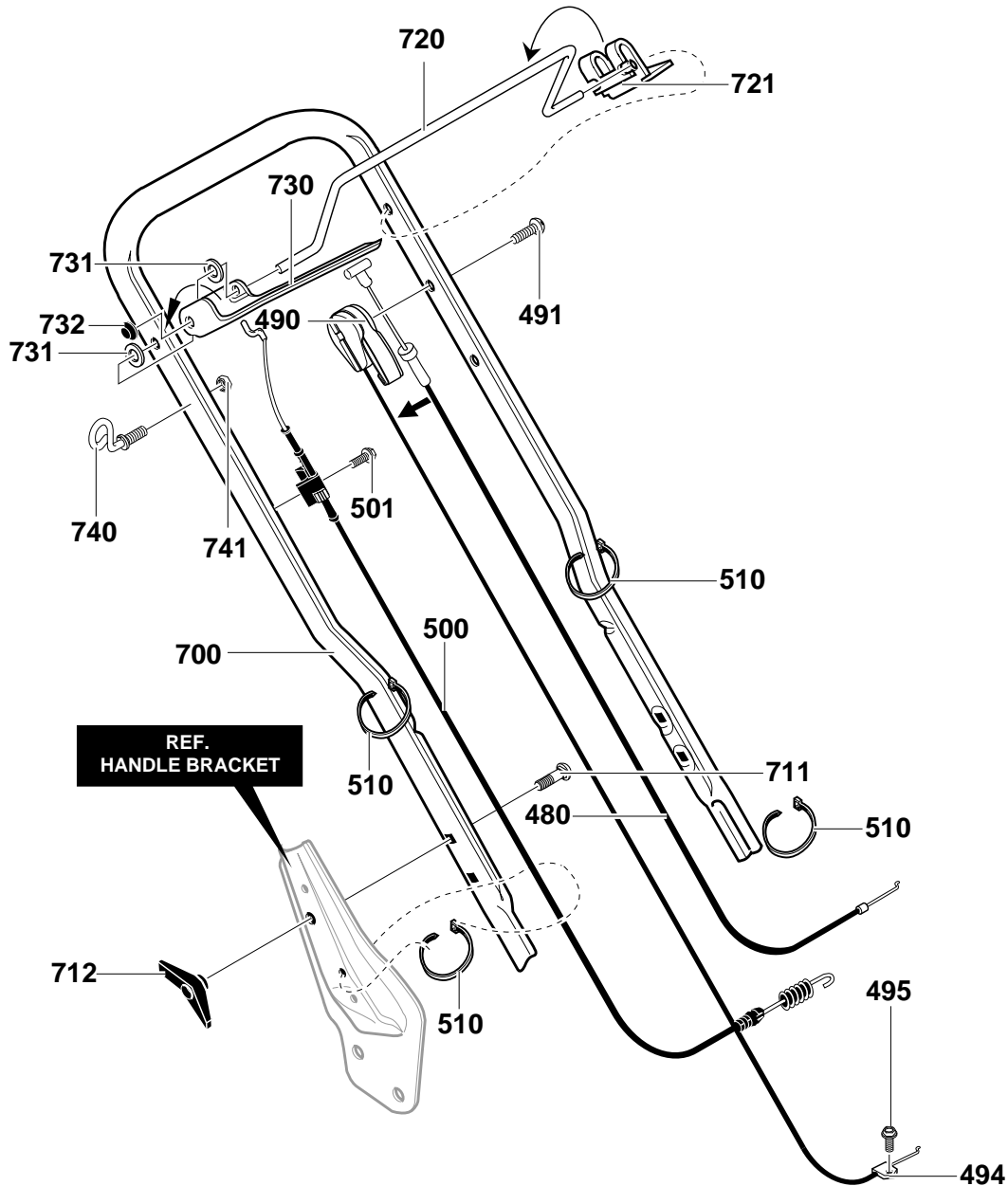


MODEL 21875X51A

REPAIR PARTS

Key#	Part#	Description
80	672323-860	ASSY, FRAME
80-2	71238	GUARD, BELT
180	71152-860	ASS'Y, CROSSBAR FRONT
181	672279	BUSHING, FRONT HOUSING
183	710270	SCREW, 1/4-14X.50
200	672042	TRANSMISSION
201	643649	SHIELD, AXLE
202	671411	SUPPORT, AXLE W/BEARING
203	643788	BEARING, LIFTER
210	672172-860	ASSY, CROSSBAR
211	71482	RETAINER, BEARING
212	710174	SCREW, 5/16-18X.75
213	710205	NUT, 5/16-18 WDFLLK
230	71481	SUPPORT, SPRING
231	710274	SCREW, 1/4-20X.63
232	71480	BUSHING, SPRING SUPPORT
233	43844	SPACER, 508X.712X.563
234	710327	SPRING, COMPRESSION
235	710205	NUT, 5/16-18 WDFLLK
240	710270	SCREW, 1/4-14X.50
241	643616	DUSTCOVER, 8" WHEEL
250	672278	LEVER, SPRING HGT ADJ
251	710274	SCREW, 1/4-20X .63
252	671297	KNOB, HGT/ADJ
253	643629	PIN, DRIVE
254	671904	GEAR, PINION RIGHT
255	671903	GEAR, PINION LEFT
256	710190	BELT, 2L V 15.75L
257	710254	WASHER, FLAT .502 X .99 .031
258	20864	RING, RET E
260	43770-860	COVER, LOWER BELT GUARD
261	71239-860	COVER, FRONT BELT
262	710273	SCREW, 10-16X.50
270	672269	PULLEY
271	710294	PIN, SPRING
275	671925	BRACKET, TRANSMISSION CABLE
276	710264	SCREW, 1/4-20X .50
280	43720-860	LINK, LIFTER
281	712072	CAP, PUSH ON
282	71576	CLEVIS, PIN LIFT SPRING SUPPORT
283	710337	SPRING, EXTENSION
284	71246-860	COVER, REAR TRANSMISSION
287	711863	SCREW, 1/4-20X.63
288	711542	PIN, CLEVIS
300	643618	TIRE & RIM, 8X2
301	643617	WHEEL, DRIVE 8"X2
302	710252	WASHER, FLAT
303	710140	NUT, 3/8-16HWDFLLK MACK
304	643615	HUBCAP, 8" WHEEL
591	-	OPTION NOT USED ON THIS UNIT
592	-	OPTION NOT USED ON THIS UNIT
593	-	OPTION NOT USED ON THIS UNIT
594	-	OPTION NOT USED ON THIS UNIT
595	-	OPTION NOT USED ON THIS UNIT
620	-	OPTION NOT USED ON THIS UNIT

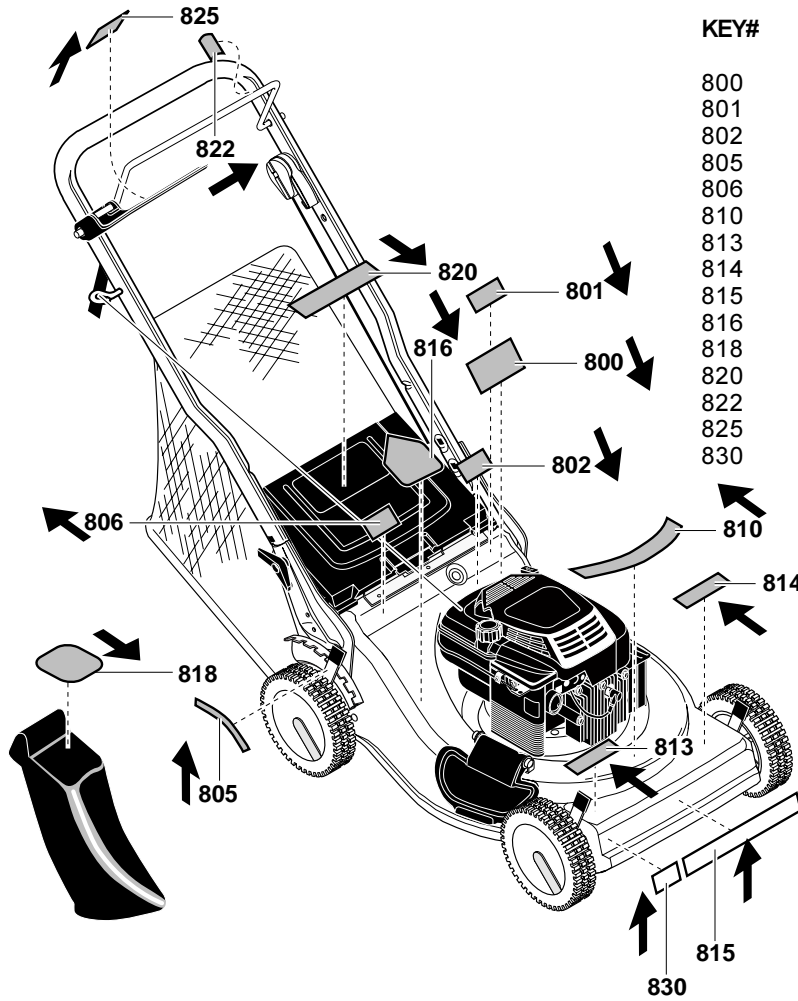
NOTE
KEY# 480 & 490 SNAP TOGETHER



KEY#	PART#	DESCRIPTION
700	672286-846	HANDLE, 21"
711	710175	BOLT, 5/16-18X2.00
712	671294	KNOB, WING 5/16-18
720	672429-860	LEVER, STOP ENGINE WIRE
721	643628	BRACKET, STOP LEVER
730	671566	LEVER, DRIVE CONTROL
731	710491	WASHER, NYLON
732	710285	CAP, PUSH ON
740	672510	GUIDE, ROPE
741	710203	NUT, 1/4-20
480	672530	CABLE, STOP
490	672539	T-CABLE
491	710178	SCREW, 1/4-20X2.00
494	12425	CLAMP, THROTTLE QUANTUM
495	710275	SCREW, 10-32X.62
500	672545	CABLE, DRIVE 21
501	710269	SCREW, #10-16 X.75
510	671372	TIE, BLACK CABLE

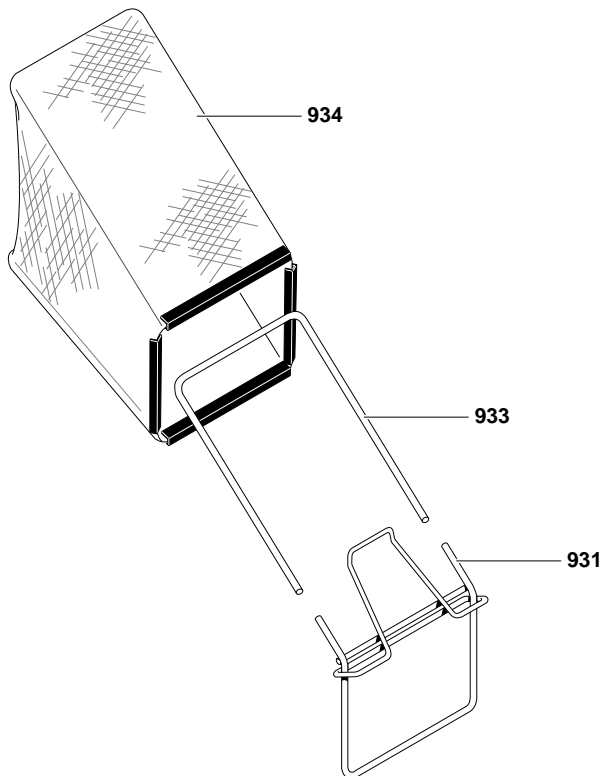
MODEL 21875X51A

REPAIR PARTS



KEY#	PART#	DESCRIPTION
800	-	NOT A SERVICEABLE PART
801	-	NOT USED ON THIS UNIT
802	318010	DECAL,TUV
805	340820	DECAL,HEIGHT ADJ.
806	-	NOT USED ON THIS UNIT
810	710451	DECAL,"MURRAY - 53"
813	-	NOT USED ON THIS UNIT
814	710453	DECAL,"POWER PROP"
815	-	NOT USED ON THIS UNIT
816	402701	DECAL, CAUTION DECK RH
818	-	NOT USED ON THIS UNIT
820	710764	DECAL, CAUTION EXPORT
822	339481	DECAL, STOP LEVER
825	336279	DECAL, DRIVE LEVER
830	-	NOT USED ON THIS UNIT

343646A



KEY#	PART#	DESCRIPTION
931	672293	ASSY, BAG FRAME
933	71592	FRAME, CATCHER BAG TOP
934	672575	BAG,CATCHER

326165 B