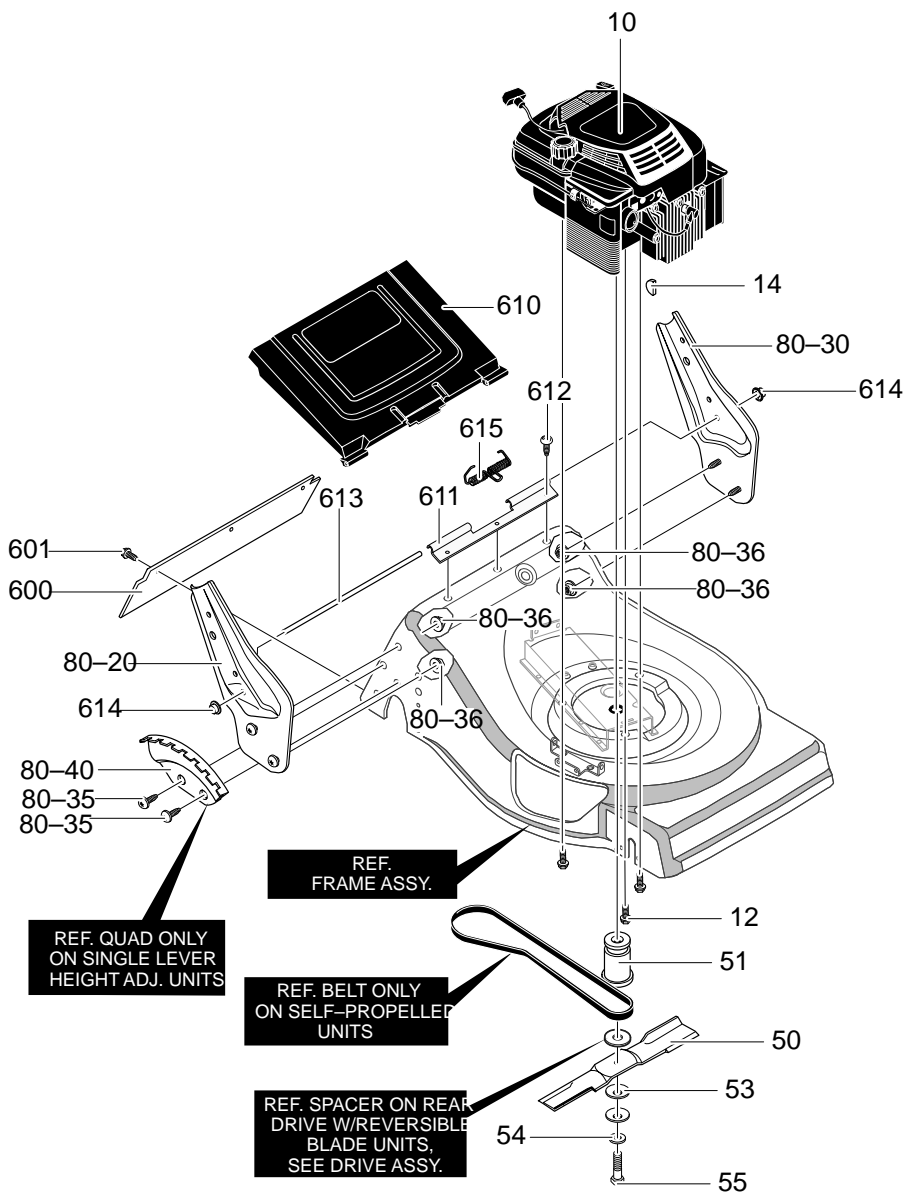


# MODEL 21855x6B



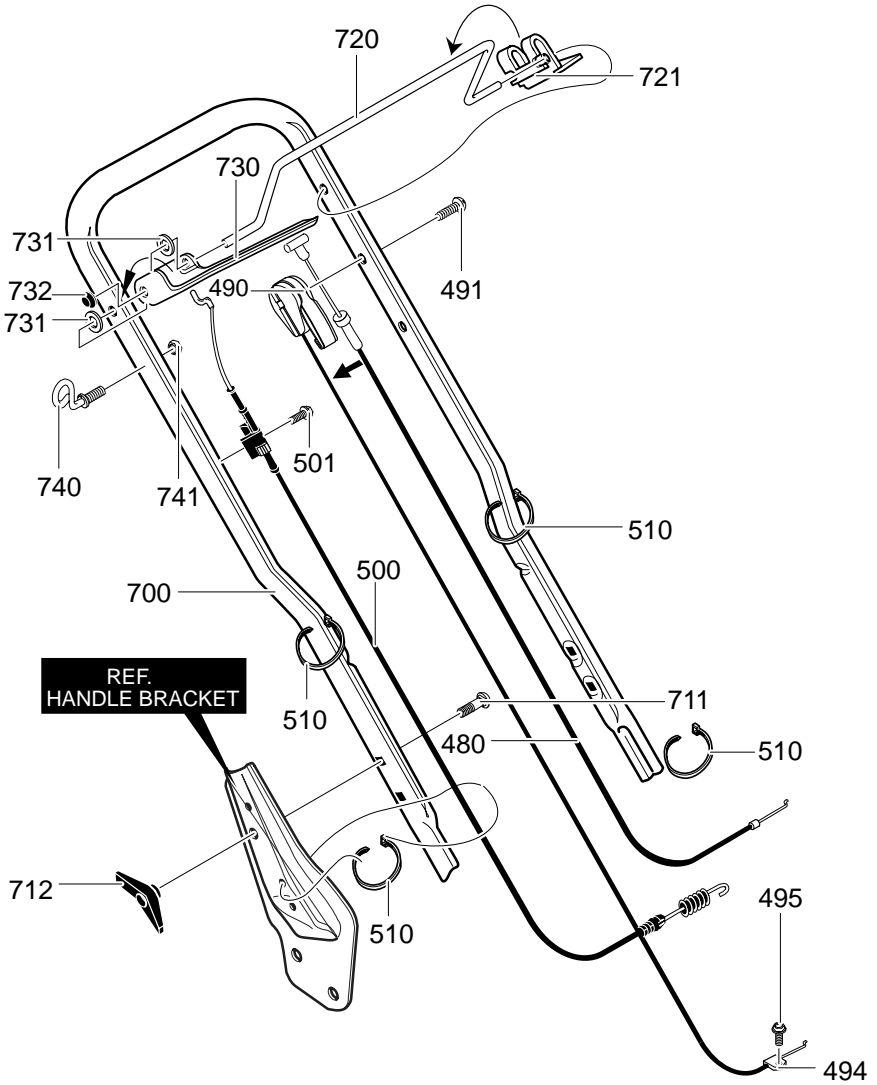
343733B

# MODEL 21855x6B

KEY NO.	DESCRIPTION	PART NO.
10	ENGINE (SEE ENGINE MANUAL) ‡	‡
12	SCREW, 3/8-16X1.00	47792
14	WOODRUFF KEY 505	2125
50	BLADE, 21" MULCH	71584
51	ADAPTER, BLADE 21"	671058
53	WASHER, BEVELLE	710210
54	WASHER, FLAT.406X.812X.06	710207
55	SCREW, 3/8-24X1.50	710163
80-20	BRACKET, HANDLE RH	672766
80-30	BRACKET, HANDLE LH	672767
80-35	SCREW, 5/16-18X.63	710277
80-36	NUT, 5/16-18, HEXWDFLK WHIZ	710204
80-40	QUADRANT, HEIGHT ADJ	672276
600	DEFLECTOR, REAR	43640
601	SCREW, 10-16X.50	710271
610	DOOR, REAR 21	71409
611	SPACER,RR DOOR	71410
612	SCREW, 10-16X.50	710273
613	ROD, PIVOT RR DOOR.25X18.5	672282Z
614	CAP, PUSH ON	710285
615	SPRING, TORSION	340823
—	OWNER'S MANUAL	F-000475M

‡ Parts are available from an Authorized Engine Service Center. See "Engines, Gasoline" or "Gasoline Engines" in the yellow pages of the telephone directory.

# MODEL 21855x6B



343551A

# MODEL 21855x6B

KEY NO.	DESCRIPTION	PART NO.
480	CABLE, STOP	672530
490	T-CABLE	672539
491	SCREW, 1/4-20X2.00	323035
494	CLAMP, THROTTLE	12425
495	SCREW, 10-32X.62	710275
500	DRIVE CABLE	672545
501	SCREW, 10-16X.75	710269
510	CABLE TIE	712267
700	HANDLE	672286-846
711	BOLT, 5/16-18X2.00	710175
712	KNOB, WING	671294
720	LEVER, STOP ENGINE	672429-850
721	BRACKET, STOP LEVER	643628
730	DRIVE CONTROL LEVER	671566
731	WASHER, NYLON	710491
732	CAP, PUSH ON	710285
740	GUIDE, ROPE 1/4-20	672510
741	NUT, 1/4-20	710203

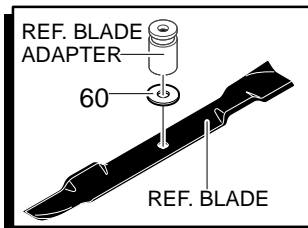
# MODEL 21855x6B

620

## NOTE

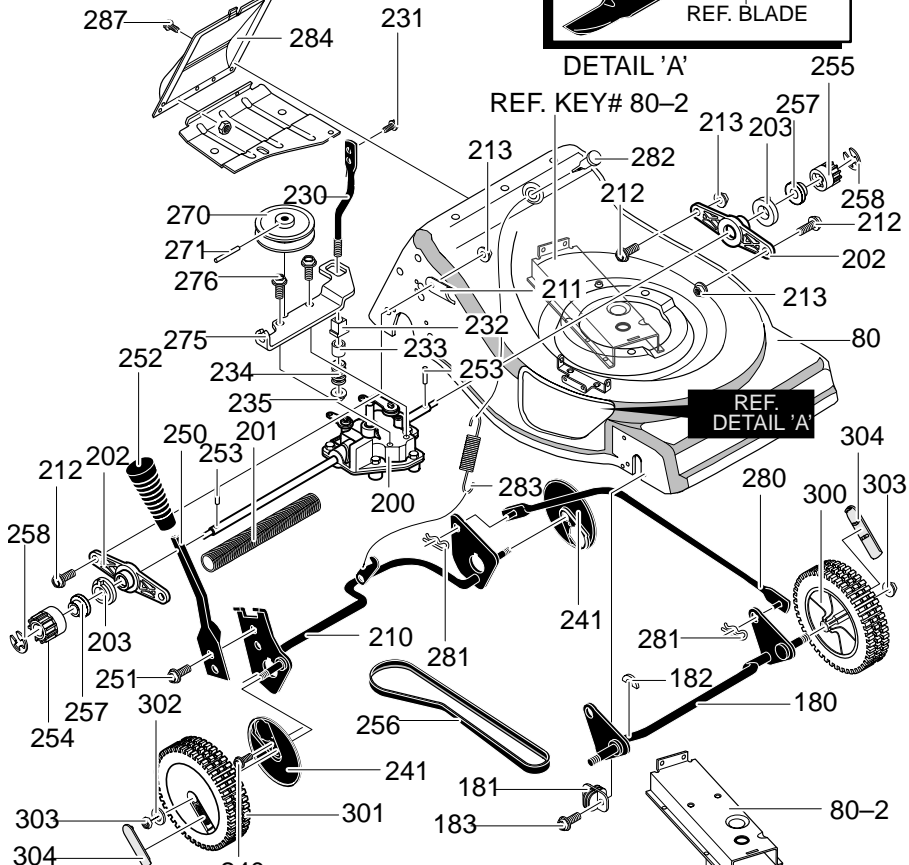
KEY# 80-2 IS WELDED TO UNDER SIDE OF FRAME. KEY# 60 USED W/ REVERSIBLE BLADE OPTION ONLY.

PART W/MULCH OPTION ONLY



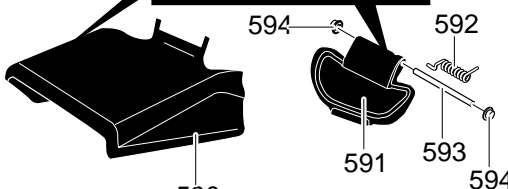
DETAIL 'A'

REF. KEY# 80-2

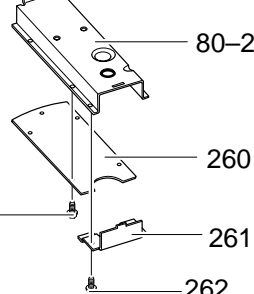


REF. DETAIL 'A'

PARTS W/SIDE DISCHARGE OPTION ONLY



590  
(UNASSEMBLED)

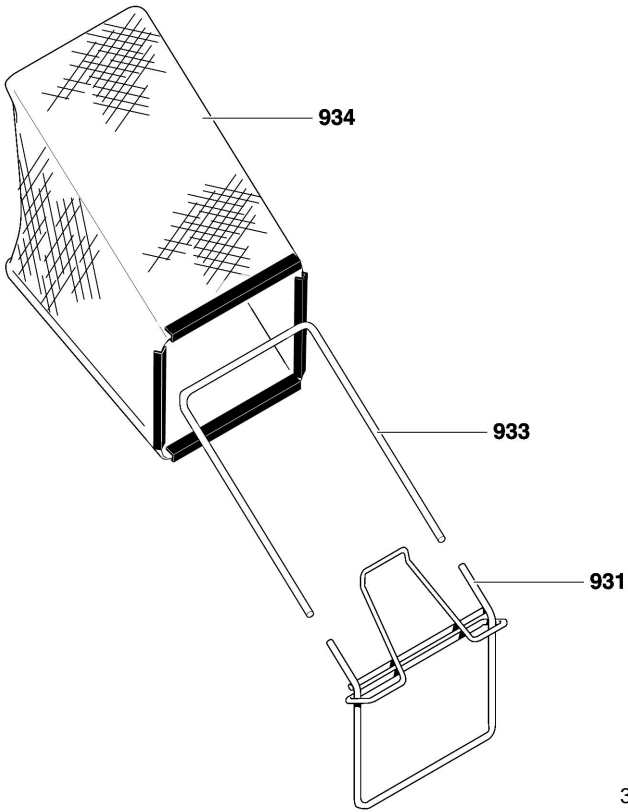


341333C

## MODEL 21855x6B

KEY NO.	DESCRIPTION	PART NO.	KEY NO.	DESCRIPTION	PART NO.
80	ASSY, FRAME	672273-850	258	E-RING	20864
180	CROSSBAR, FRONT	71152-850	260	COVER,LOWER BELT	43770-850
181	BUSHING	672279	261	COVER,FRONT BELT	71239-850
183	SCREW	710270	262	SCREW, 10-16X.50	710273
200	TRANSMISSION	672042	270	PULLEY	672269
202	SUPPORT, AXLE	671411	271	SPRING PIN	710294
203	BEARING, LIFTER	643788	275	BKT, TRANS. CABLE	671295Z
210	ASSY, CROSSBAR	672277-850	276	SCREW, 1/4-20X.50	710264
211	RETAINER, BEARING	71482Z	280	ASSY., LINK LIFTER	43721-850
212	SCREW, 5/16-18X.75	180077	281	HAIR PIN	710292
213	NUT	710205	283	SPRING, EXTENSION	711459
230	SUPPORT, SPRING	71481	284	COVER, REAR	71246-850
231	SCREW, 1/4-20X.63	711863	287	SCREW, 1.4-20X.63	711863
232	BUSHING, SPRING	71480	300	TIRE & RIM	671134
233	SPACER	43844	301	DRIVE WHEEL	671133
234	SPRING, COMP.	710327	303	NUT	710140
235	NUT, 5/16-18	710205	304	HUB CAP	672122
240	SCREW, 1/4-20X.50	710270	307	HUB CAP	671123
241	DUST COVER	643616	308	SPRING WASHER	710258
250	LEVER, SPRING	672278	590	DEFLECTOR, CHUTE	71770
251	SCREW	710274	591	COVER, MULCH	71769
252	KNOB, HEIGHT ADJ	671297	592	SPRING, TORSION	166X38
253	PIN, DRIVE	643629	593	ROD, PIVOT	340827Z
254	GEAR, PINION RT	671904	594	CAP, PUSH ON	710285
255	GEAR, PINION LEFT	671903	595	SEAL, FOAM	712012
256	BELT	710190	620	PLUG, MULCHER	71250
257	FLAT WASHER	710254			

# MODEL 21855x6B



326165B

KEY NO.	DESCRIPTION	PART NO.
931	ASSY, BAG FRAME	672293
933	FRAME, BAG TOP	71592
934	BAG, 21	672295