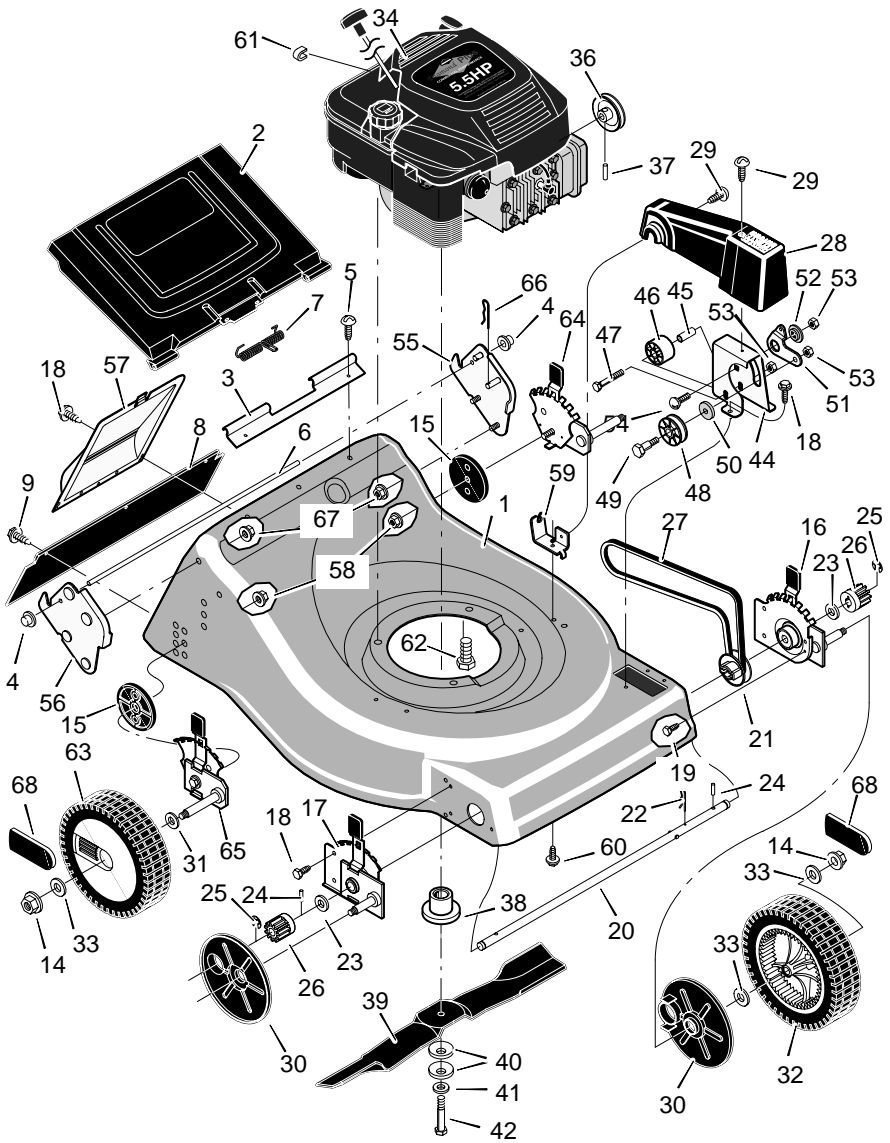


MODEL 21515x66A

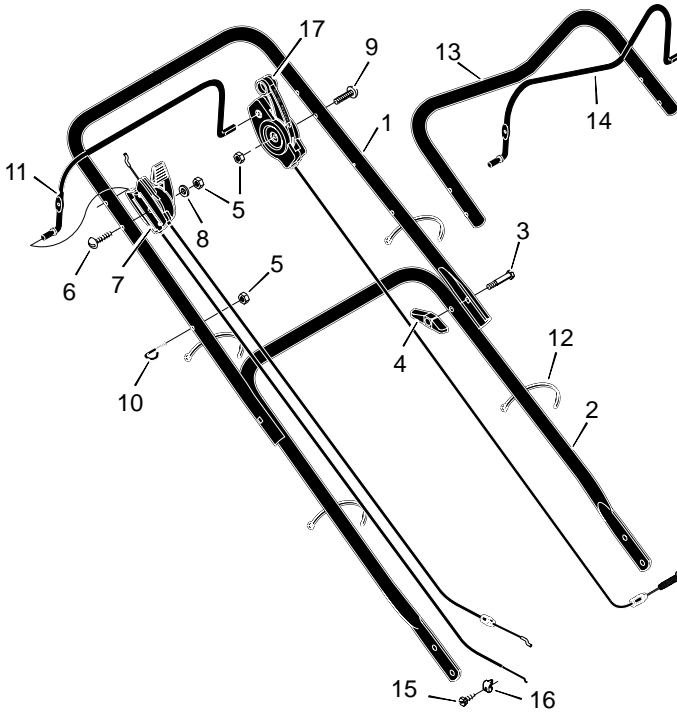


MODEL 21515x66A

KEY NO.	DESCRIPTION	PART NO.	KEY NO.	DESCRIPTION	PART NO.
1	Housing	70148	37	Pin, Spring	32x64
2	Door, Rear	71409	38	Adapter, Blade	71056
3	Spacer, Door	71410	39	Blade	71877E701
4	Push On Cap	28x42	40	Washer, Belleville	17x137
5	Screw	26x259	41	Washer	17x124
6	Rod, Door Pivot	215x14Z	42	Bolt	1x142
7	Spring, Torsion	166x33	44	Bracket, Idler	71745Z
8	Guard, Rear	43640	45	Bearing	71793
9	Screw	26x245	46	Pulley, Idler	71778
14	Locknut, Flange	15x84	47	Bolt	1x81
15	Spacer	43784	48	Pulley, Idler	71779
16	Height Adjuster, Left Front	401031	49	Bolt, Shoulder	9x50
17	Height Adjuster, Right Front	401030	50	Spacer	71788
18	Screw	26x263	51	Arm, Idler	71742Z
19	Screw	26x185	52	Spacer	71789
20	Axle	71790	53	Locknut	15x43
21	Pulley	71791	54	Bolt, Carriage	2x53
22	Hair Pin	31x9	55	Handle Bracket, Left	71097E701
23	Washer	17x186	56	Handle Bracket, Right	71096E701
24	Pin, Drive	43629	57	Cover, Transmission	71246E701
25	Ring, Retainer	11x16	58	Nut, Flange	15x68
26	Gear, Pinion	71792	59	Cable Bracket	71744Z
27	Belt, Briggs Engine	37x84	60	Screw	26x263
	Belt, Tecumseh Engine	37x85	61	Stop, Rope	42189
28	Cover, Belt	71768	62	Bolt, Engine Mount	25x6
29	Screw	26x279	63	Wheel, Rear - White	43618
30	Cover, Dust	71780		Wheel, Rear - Gray	71132
31	Washer	17x120Z	64	Height Adjuster, Rear	401025
32	Wheel, Drive	43617	66	Pin, Hair	31x10
33	Washer	17x169	67	Nut, Hex	15x79
34	Engine *	-----	68	Hub Cap - Optional	43615
36	Pulley, Engine	71434	69	Instruction Book	F-96494

* Parts are available from an Authorized Engine Service Center. See "Engines, Gasoline" or "Gasoline Engines" in the yellow pages of the telephone directory.

MODEL 21515x66A

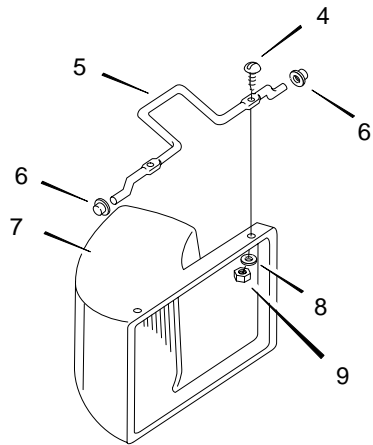
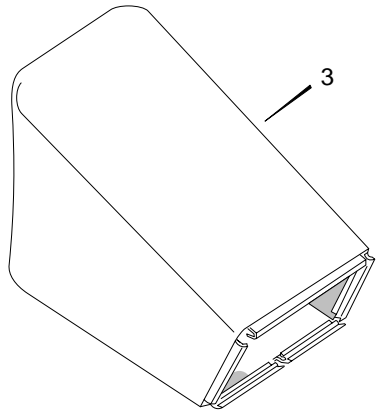
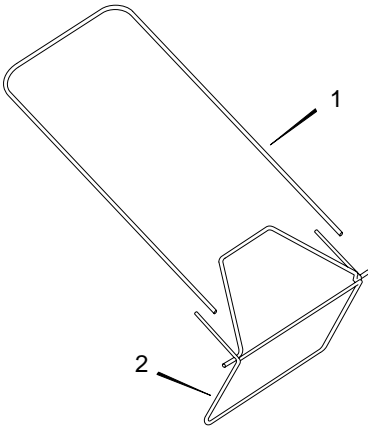


KEY NO.	DESCRIPTION	PART NO.	KEY NO.	DESCRIPTION	PART NO.
1	Handle, Upper - Straight (Black)	71581E701	8	Washer	17x37Z
--	Handle, Upper - Straight (Gray)	71581E724	9	Screw	3x144
2	Handle, Lower (Black)	71137E701	10	Guide, Rope	43956
--	Handle, Lower (Gray)	71137E724	11	Stop Lever - Straight	71794E700
3	Bolt	2x77	12	Fastener, Cable	71372
4	Knob, Plastic	71294	13	Handle, Upper - Curved (Black)	71580E701
5	Locknut	15x116	--	Handle, Upper - Curved (Gray)	71580E724
6	Screw	3x142	14	Stop Lever - Curved	71795E700
7	Throttle Control and Stop Cable *	71863	15	Screw *	26x268
-	Throttle Control and Stop Cable †	71862	16	Clamp *	42294
			17	Drive Control	71806

* For Models with Briggs & Stratton engines.

† For Models with Tecumseh engines.

MODEL 21515x66A



KEY NO.	DESCRIPTION	PART NO.
1	Support, Bag	71592
2	Frame Assembly	43666
3	Bag, Cloth	71589
4	Screw	4x21
5	Frame Assembly	43755Z
6	Push On Cap	28x39
7	Side Discharge Attachment – Optional +	43754
8	Washer	17x173
9	Nut	15x102

+ Model 24072A Side Discharge Attachment. This optional accessory gives you the option of discharging the grass to the side.