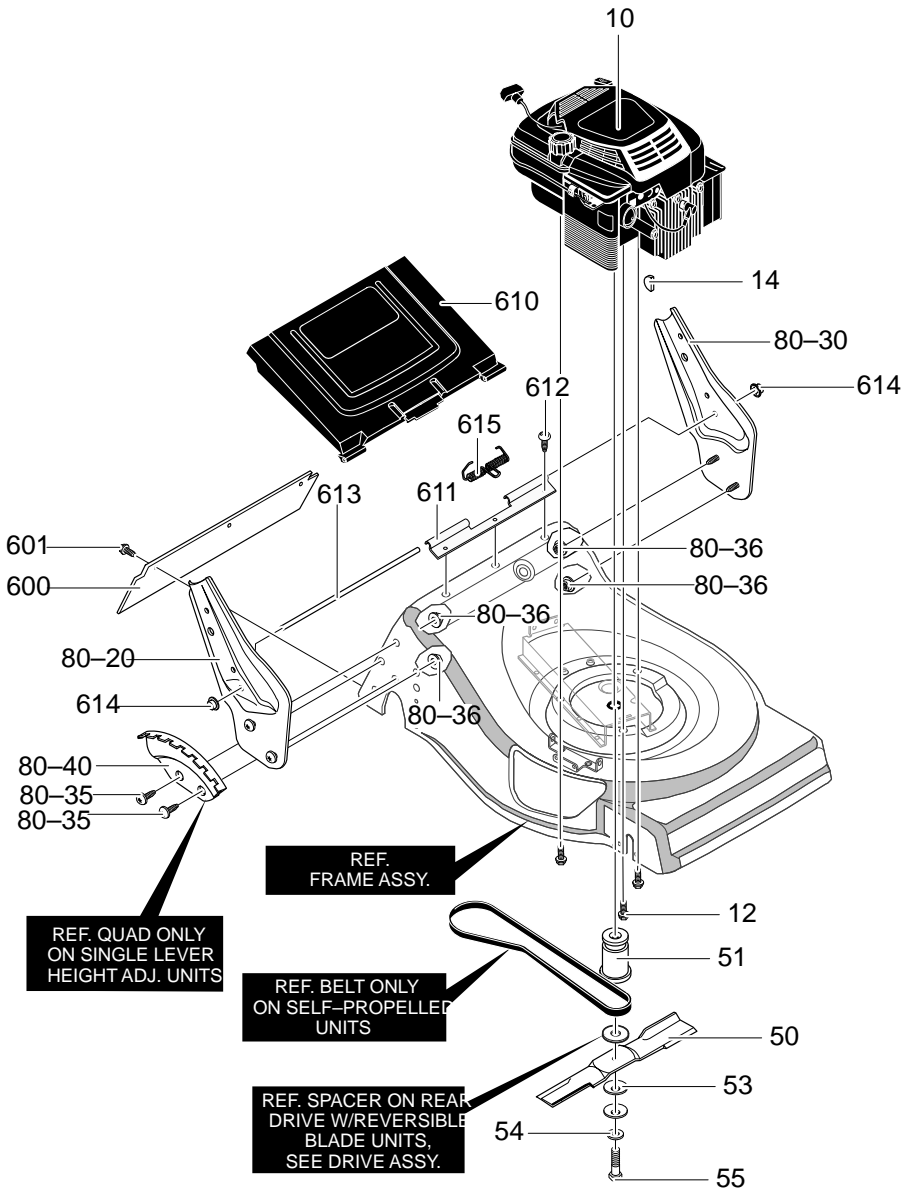


# MODEL 21386x6C



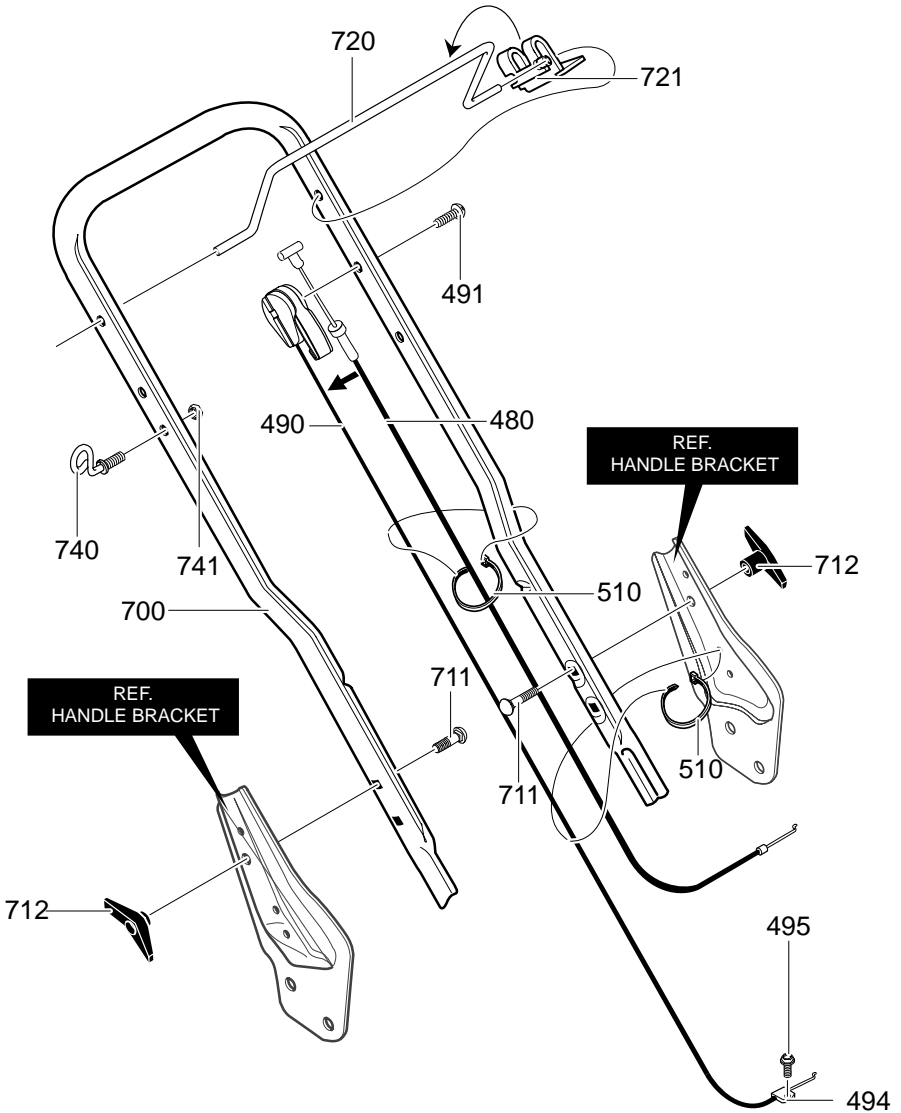
343733B

# MODEL 21386x6C

KEY NO.	DESCRIPTION	PART NO.
10	ENGINE (SEE ENGINE MANUAL) ‡	‡
12	SCREW, 3/8-16X1.00	47792
14	NOT USED ON THIS UNIT	—
50	BLADE, 21" MULCH	71584
51	ADAPTER, BLADE 21"	671056
53	WASHER, BEVELLE	710210
54	WASHER, FLAT.406X.812X.06	710207
55	SCREW, 3/8-24X1.50	710163
80-20	BRACKET, HANDLE RH	672766
80-30	BRACKET, HANDLE LH	672767
80-35	SCREW, 5/16-18X.63	710277
80-36	NUT, 5/16-18, HEXWDFLK WHIZ	710204
80-40	QUADRANT, HEIGHT ADJ	672276
600	DEFLECTOR, REAR	43640
601	SCREW, 10-16X.50	710271
610	DOOR, REAR 21	71409
611	SPACER,RR DOOR	71410
612	SCREW, 10-16X.50	710273
613	ROD, PIVOT RR DOOR.25X18.5	672282Z
614	CAP, PUSH ON	710285
615	SPRING, TORSION	340823
	OWNER'S MANUAL	F-000474M

‡ Parts are available from an Authorized Engine Service Center. See "Engines, Gasoline" or "Gasoline Engines" in the yellow pages of the telephone directory.

# MODEL 21386x6C

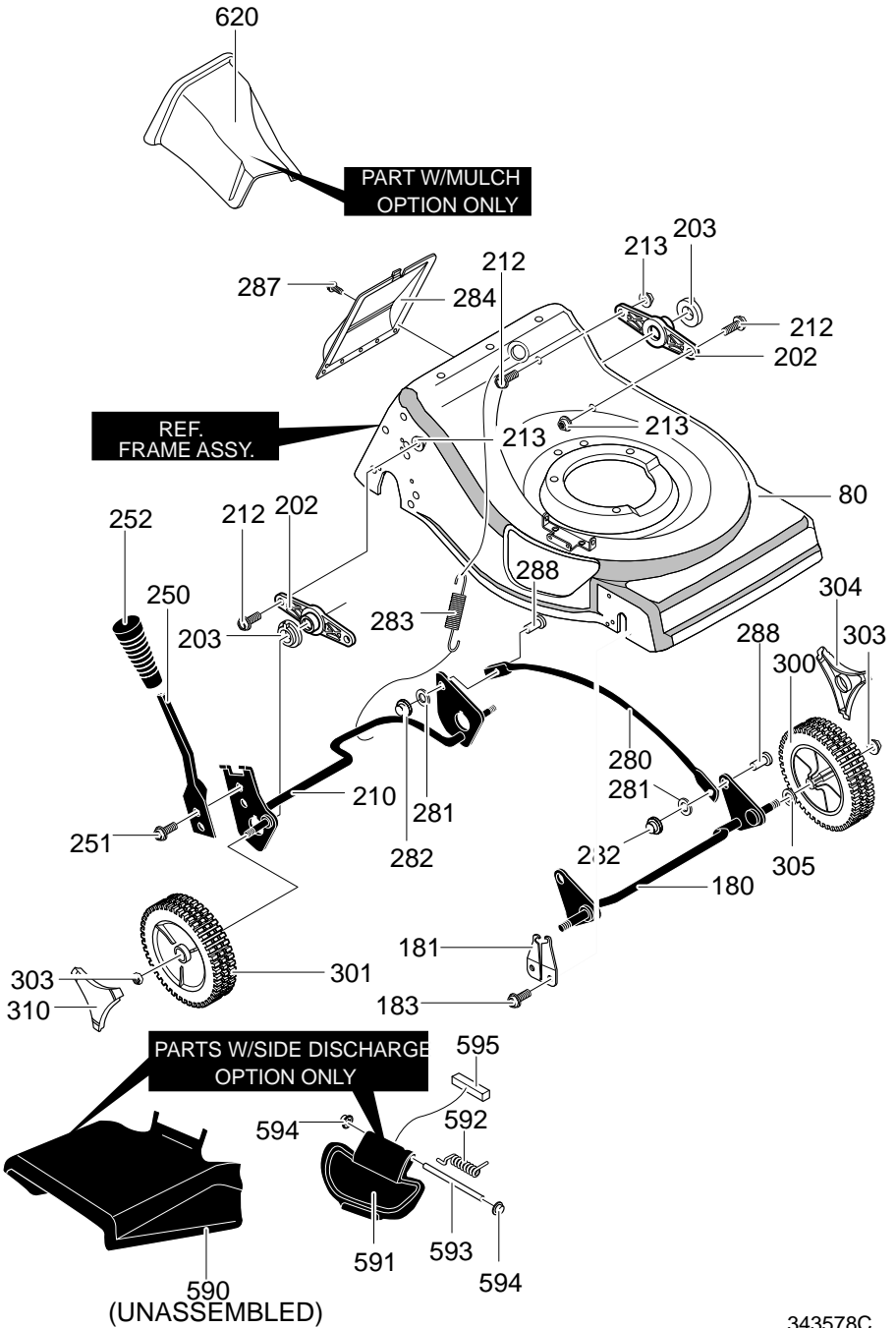


343547A

# MODEL 21386x6C

KEY NO.	DESCRIPTION	PART NO.
480	CABLE, STOP	672530
490	T-CABLE	672539
491	SCREW, 1/4-20X2.00	323035
494	CLAMP, THROTTLE	12425
495	SCREW, 10-32X.62	710275
510	CABLE TIE	712267
700	HANDLE	672286-846
711	BOLT, 5/16-18X2.00	710175
712	KNOB, WING	671294
720	LEVER, STOP FLAT	672288-850
721	BRACKET, STOP LEVER	643628
740	GUIDE, ROPE 1/4-20	672510
741	NUT, 1/4-20	710203

# MODEL 21386x6C

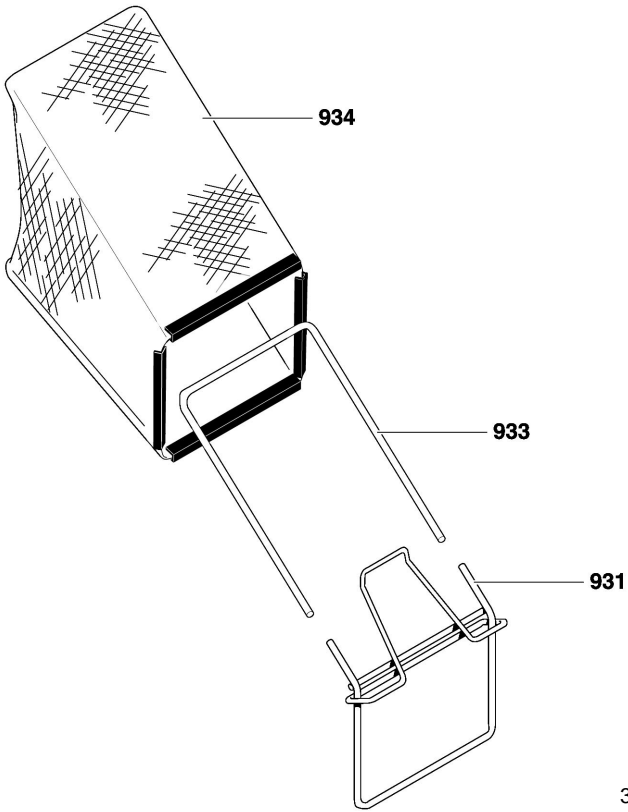


343578C

# MODEL 21386x6C

<b>KEY NO.</b>	<b>DESCRIPTION</b>	<b>PART NO.</b>
80	ASSY, FRAME	672320-850
180	CROSSBAR, FRONT	71152-850
181	BUSHING	672279
183	SCREW	710270
202	SUPPORT, AXLE	643790
203	BEARING, LIFTER	643788
210	ASSY, CROSSBAR	672277-850
212	SCREW, 5/16-18X.75	180077
213	NUT	710205
250	LEVER, SPRING	672278
251	SCREW	710274
252	KNOB, HEIGHT ADJ	671297
280	ASSY., LINK LIFTER	43721-850
281	HAIR PIN	710292
283	SPRING, EXTENSION	711459
284	COVER, REAR	71246-823
287	SCREW, 1.4-20X.63	711863
300	TIRE & RIM	671134
301	TIRE & RIM	671134
303	NUT	710140
304	HUB CAP	672123
310	HUB CAP	672123
590	DEFLECTOR, CHUTE	71770
591	COVER, MULCH	71769
592	SPRING, TORSION	166X38
593	ROD, PIVOT	340827Z
594	CAP, PUSH ON	710285
595	SEAL, FOAM	712012
620	PLUG, MULCHER	71250

# MODEL 21386x6C



KEY NO.	DESCRIPTION	PART NO.
931	ASSY, BAG FRAME	672293
933	FRAME, BAG TOP	71592
934	BAG, 21	672295