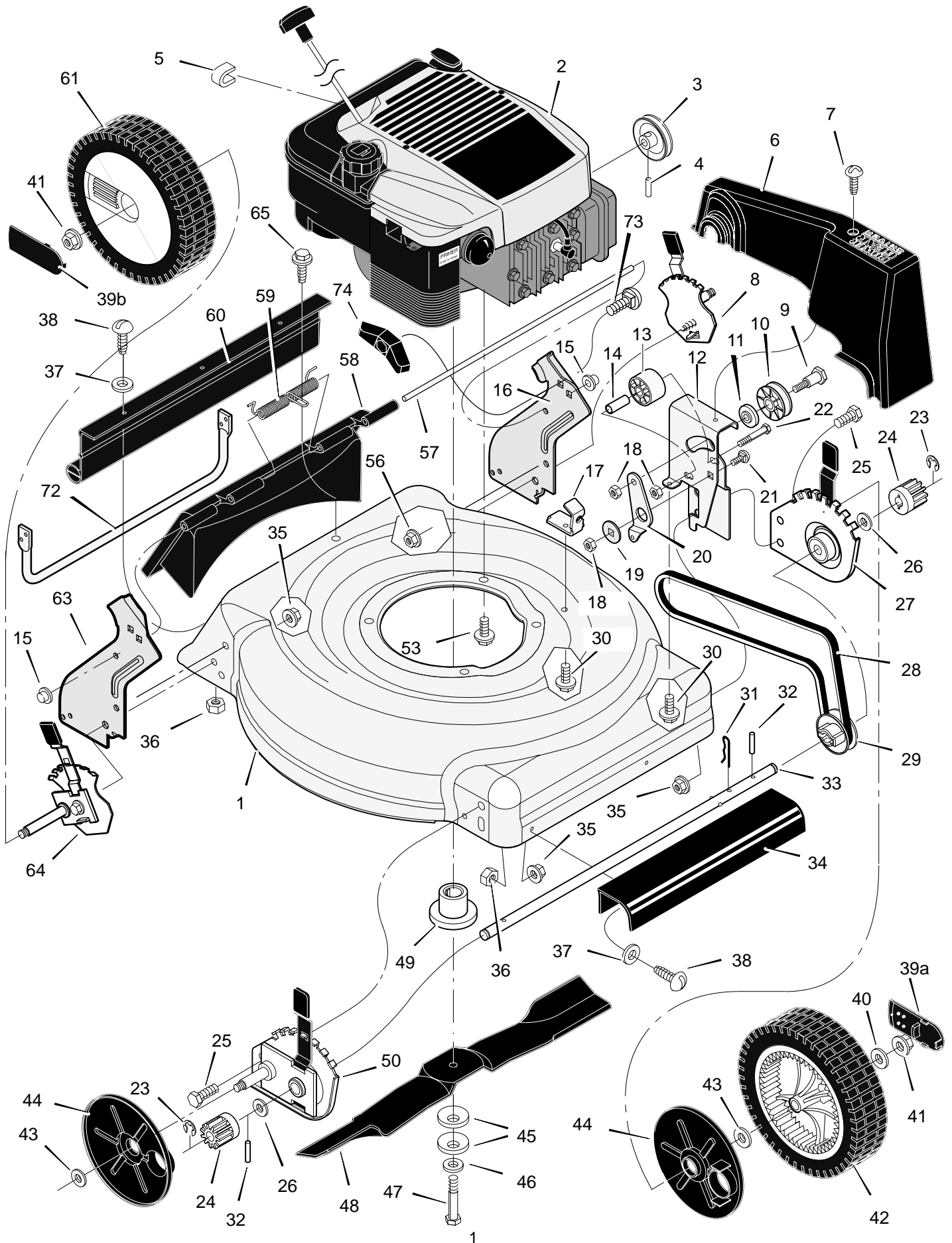


MODEL 20616x50D

REPAIR PARTS



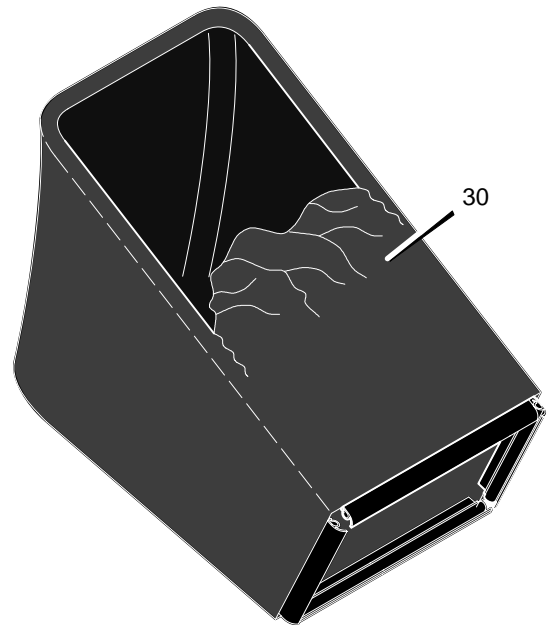
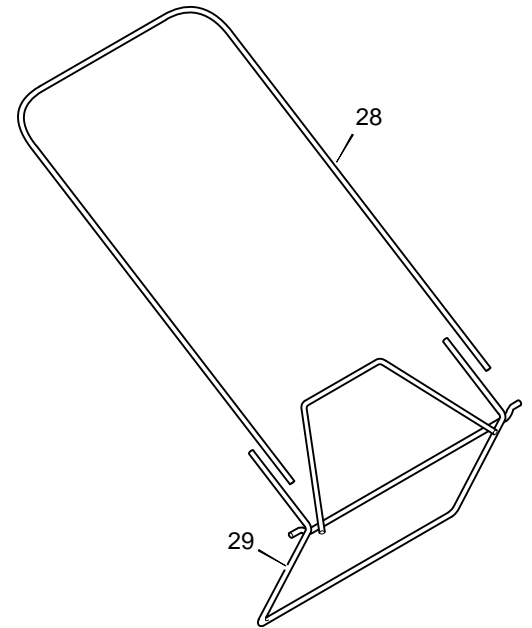
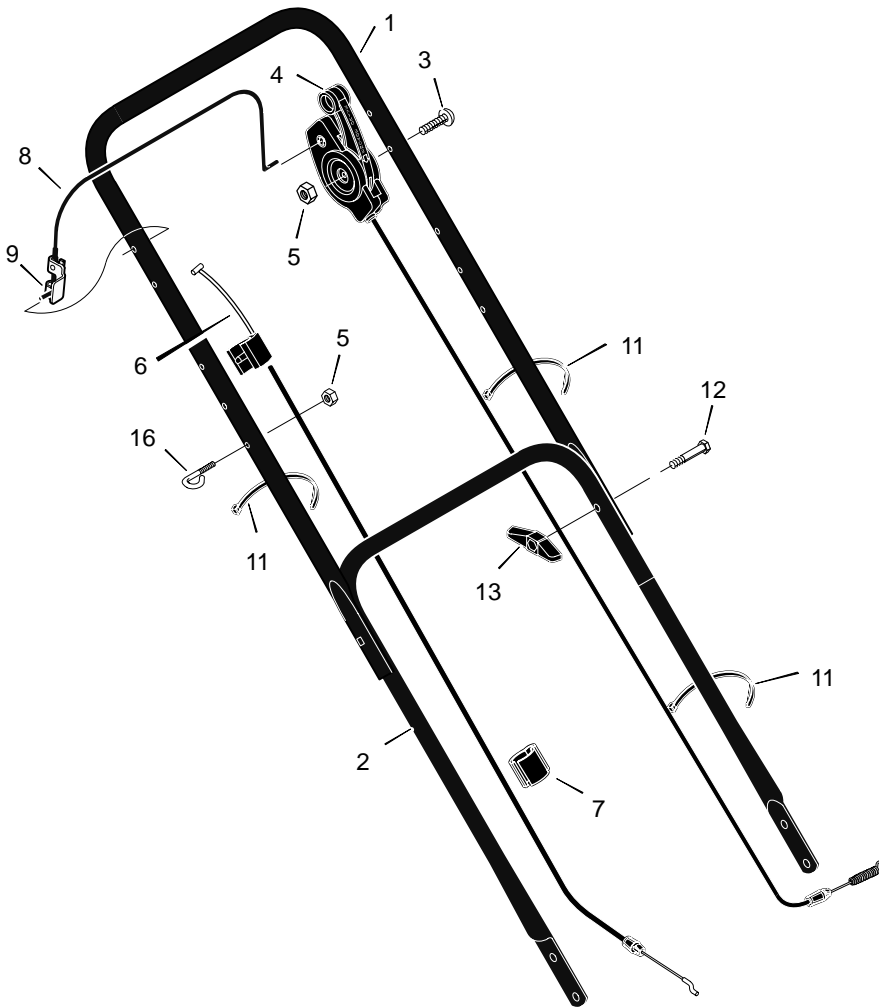
MODEL 20616x50D

REPAIR PARTS

KEY NO.	DESCRIPTION	PART NO.	KEY NO.	DESCRIPTION	PART NO.
1	Housing	_____	34	Cover, Axle (Gray)	672108
2	Engine *	*	35	Nut, Flange	15x68
3	Pulley, Engine	71434	36	Nut, Hex	15x102
4	Pin, Spring	32x64	37	Washer	17x38
6	Cover, Belt (Gray)	672109	38	Screw	4x21
7	Screw	26x279	39a	Cap, Hub	43847
8	Adjuster, Left Height	672605	39b	Cap, Hub	43615
9	Bolt, Shoulder	9x50	40	Washer	17x169
10	Pulley	71779	41	Nut, Flange	15x84
11	Spacer	71788	42	Wheel, Drive	71133
12	Bracket, Idler Support	672772 Z	43	Washer	17x120
13	Pulley, Idler	71778	44	Cover, Dust	71780
14	Bearing	71793	45	Washer, Belleville	17x137
15	Nut, Push	28x49	46	Washer	17x124
16	Bracket, Left Handle	1101239E700	47	Bolt	1x153
17	Bracket, Cable	671934	48	Blade	672763E701
18	Nut, Hex	15x43	49	Adapter, Blade	672503
19	Spacer	71789	50	Adjuster, Right Frt. Height	672602
20	Arm, Idler	671936	53	Bolt, Engine	25x6
21	Bolt, Carriage	2x53	56	Nut, Flange	15x88
22	Bolt, Shoulder	1x81	57	Rod, Pivot	215x17 Z
23	E-Ring	11x16	58	Door, Rear (Gray)	672612
24	Gear, Pinion	71792	59	Spring	166x44
25	Bolt	1x85	60	Deflector, Rear	671970
26	Washer	17x186	61	Wheel, Rear	71134
27	Adjuster, Left Frt. Height	672603	63	Bracket, Right Handle	1101238E700
28	Belt	37x99	64	Adjuster, Right Height	672604
29	Pulley, Axle	71791	65	Screw	26x245
30	Screw	26x263	72	Guard, Rear	671990
31	Pin, Hair	31x9	73	Bolt, Carriage	2x81
32	Pin, Spring	43629	74	Knob	71495
33	Axle	671931	--	Instruction Book	F-010469L

MODEL 20616x50D

REPAIR PARTS



1	Handle, Upper (Gray)	671918E724	9	Bracket, Stop Lever	43628 BC
2	Handle, Lower (Gray)	672874E724	11	Fastener, Cable	71372
3	Bolt	25x14	12	Bolt	2x77
4	Control, Drive	1101420	13	Knob	71294
5	Locknut	15x116	16	Guide, Rope	71530
6	Cable, Stop	1101367	28	Frame, Top	71592
7	Fastener, Single Cable Fastener, Double Cable	1101352 1101353	29	Frame Assembly	672905
8	Engine Stop Lever	672878E701	30	Bag, Cloth	1101032