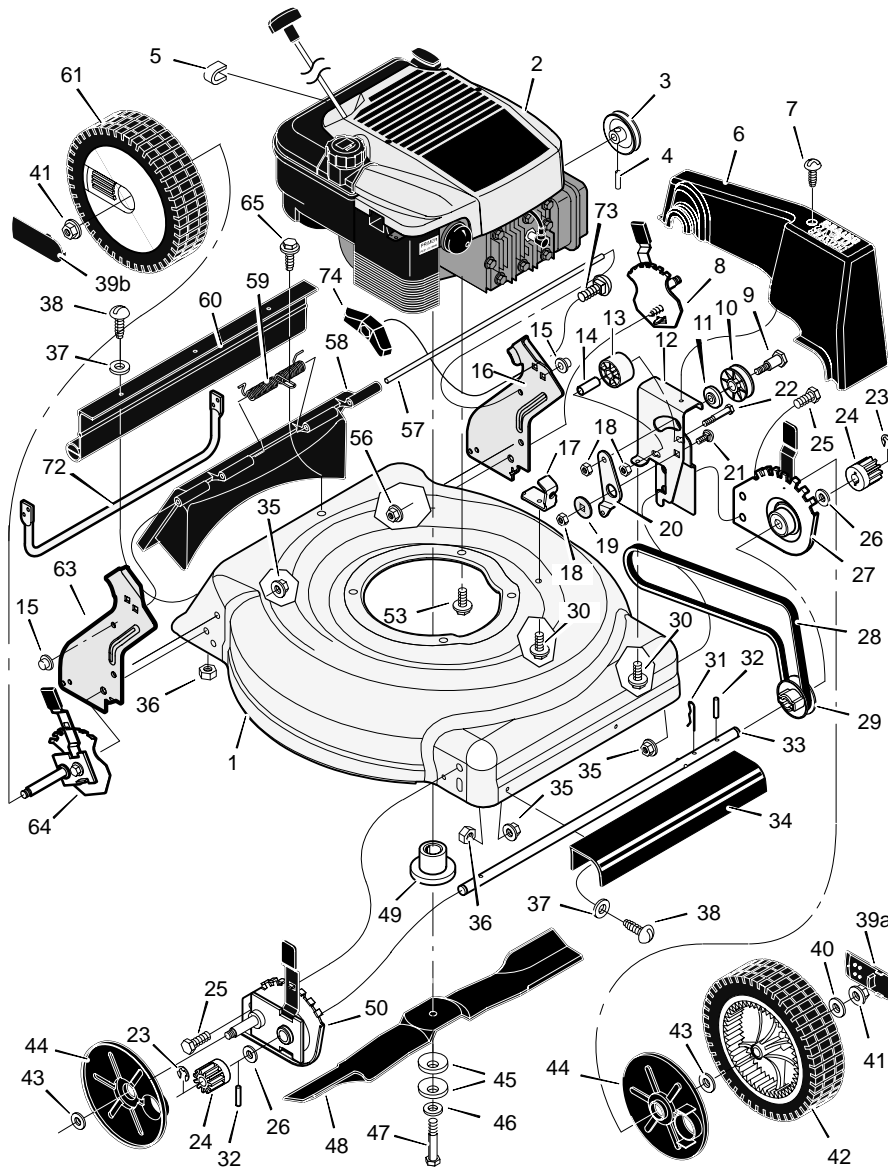


MODEL 20616x50C

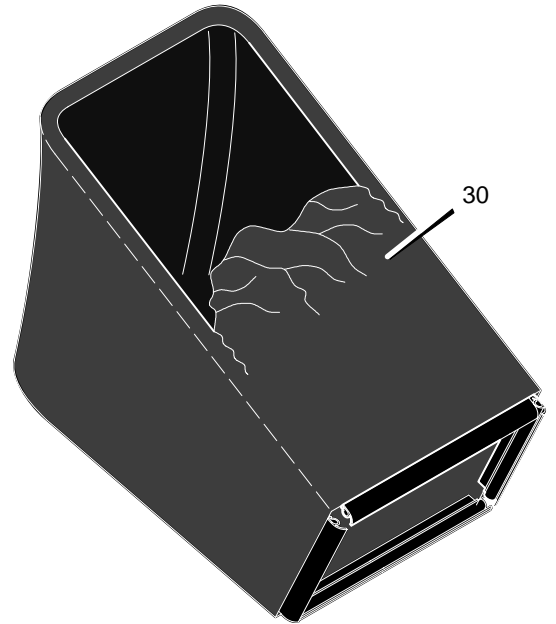
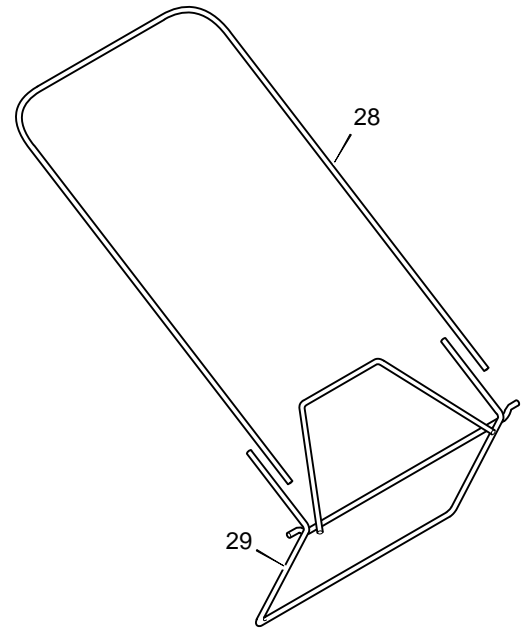
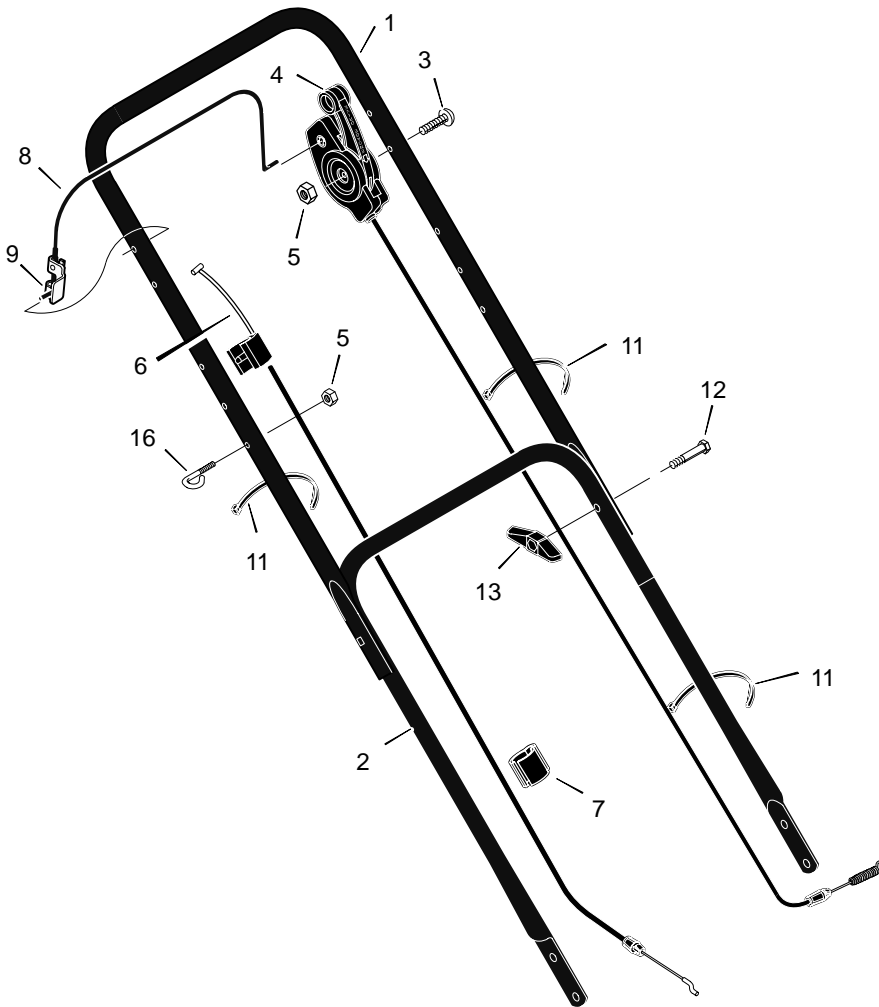
REPAIR PARTS



| | | | | | | | | |
|----|------------------------|-------------|-----|----------------------------|--------|----|-----------------------------|-------------|
| 1 | Housing | 672893E245 | 24 | Gear, Pinion | 71792 | 44 | Cover, Dust | 71780 |
| 2 | Engine * | * | 25 | Bolt | 1x85 | 45 | Washer, Belleville | 17x137 |
| 3 | Pulley, Engine | 71434 | 26 | Washer | 17x186 | 46 | Washer | 17x124 |
| 4 | Pin, Spring | 32x64 | 27 | Adjuster, Left Frt. Height | 672603 | 47 | Bolt | 1x153 |
| 6 | Cover, Belt (Gray) | 672109 | 28 | Belt | 37x99 | 48 | Blade | 672763E701 |
| 7 | Screw | 26x279 | 29 | Pulley, Axle | 71791 | 49 | Adapter, Blade | 672503 |
| 8 | Adjuster, Left Height | 672605 | 30 | Screw | 26x263 | 50 | Adjuster, Right Frt. Height | 672602 |
| 9 | Bolt, Shoulder | 9x50 | 31 | Pin, Hair | 31x9 | 53 | Bolt, Engine | 25x6 |
| 10 | Pulley | 71779 | 32 | Pin, Spring | 43629 | 56 | Nut, Flange | 15x88 |
| 11 | Spacer | 71788 | 33 | Axle | 671931 | 57 | Rod, Pivot | 215x17 Z |
| 12 | Bracket, Idler Support | 672772 Z | 34 | Cover, Axle (Gray) | 672108 | 58 | Door, Rear (Gray) | 672612 |
| 13 | Pulley, Idler | 71778 | 35 | Nut, Flange | 15x68 | 59 | Spring | 166x44 |
| 14 | Bearing | 71793 | 36 | Nut, Hex | 15x102 | 60 | Deflector, Rear | 671970 |
| 15 | Nut, Push | 28x49 | 37 | Washer | 17x38 | 61 | Wheel, Rear | 71134 |
| 16 | Bracket, Left Handle | 1101239E700 | 38 | Screw | 4x21 | 63 | Bracket, Right Handle | 1101238E700 |
| 17 | Bracket, Cable | 671934 | 39a | Cap, Hub | 43847 | 64 | Adjuster, Right Height | 672604 |
| 18 | Nut, Hex | 15x43 | 39b | Cap, Hub | 43615 | 65 | Screw | 26x245 |
| 19 | Spacer | 71789 | 40 | Washer | 17x169 | 72 | Guard, Rear | 671990 |
| 20 | Arm, Idler | 671936 | 41 | Nut, Flange | 15x84 | 73 | Bolt, Carriage | 2x81 |
| 21 | Bolt, Carriage | 2x53 | 42 | Wheel, Drive | 71133 | 74 | Knob | 71495 |
| 22 | Bolt, Shoulder | 1x81 | 43 | Washer | 17x120 | -- | Instruction Book | F-010433L |
| 23 | E-Ring | 11x16 | | | | | | |

MODEL 20616x50C

REPAIR PARTS



| | | | | | | | | |
|---|----------------------|------------|----|------------------------|------------|----|----------------|---------|
| 1 | Handle, Upper (Gray) | 671918E724 | 7 | Fastener, Single Cable | 1101352 | 13 | Knob | 71294 |
| 2 | Handle, Lower (Gray) | 672874E724 | 8 | Engine Stop Lever | 672878E701 | 16 | Guide, Rope | 71530 |
| 3 | Bolt | 25x14 | 9 | Bracket, Stop Lever | 43628 BC | 28 | Frame, Top | 71592 |
| 4 | Control, Drive | 1101420 | 11 | Fastener, Cable | 71372 | 29 | Frame Assembly | 672905 |
| 5 | Locknut | 15x116 | 12 | Bolt | 2x77 | 30 | Bag, Cloth | 1101032 |
| 6 | Cable, Stop | 1101183 | | | | | | |