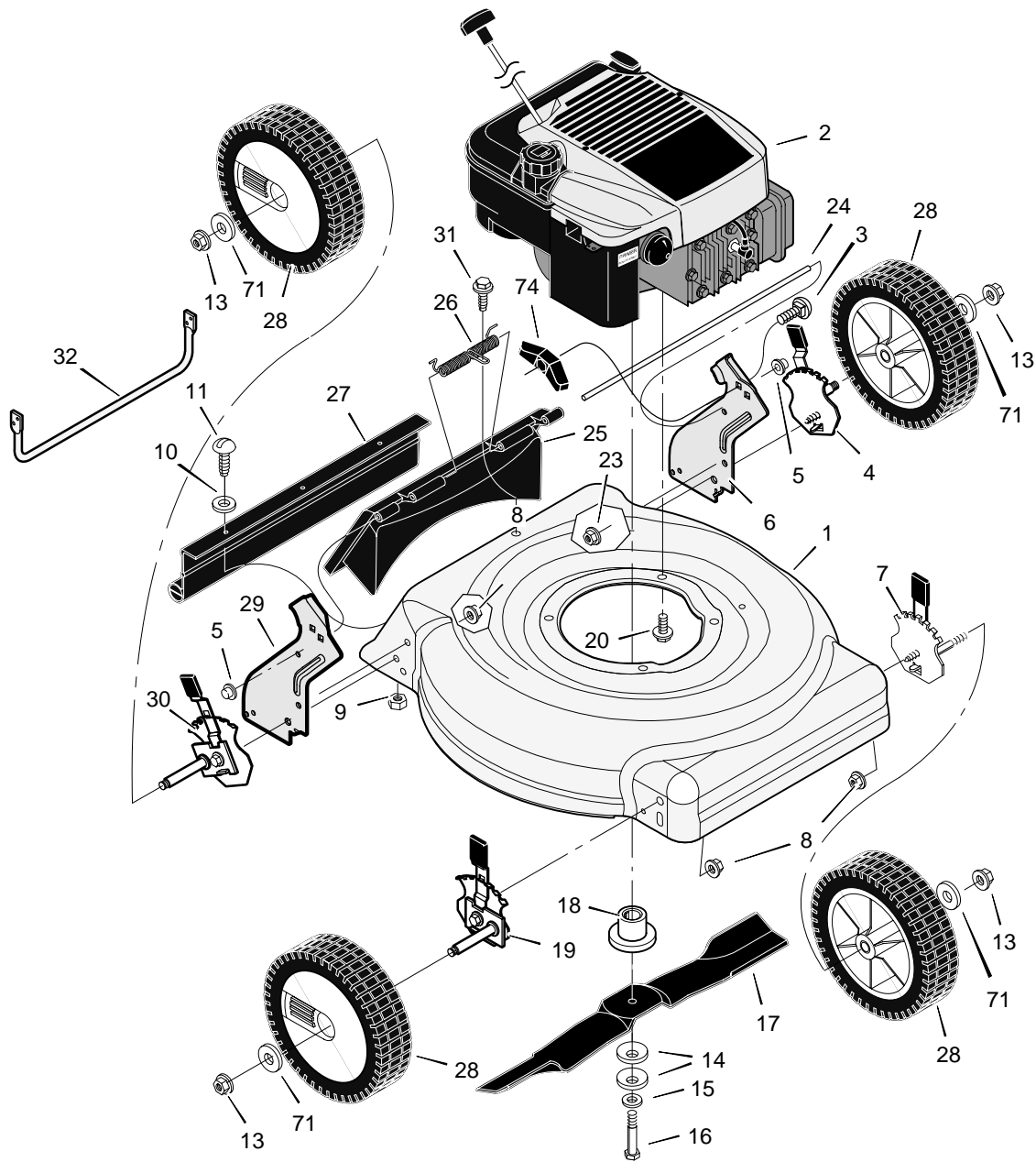


MODEL 20415x50C

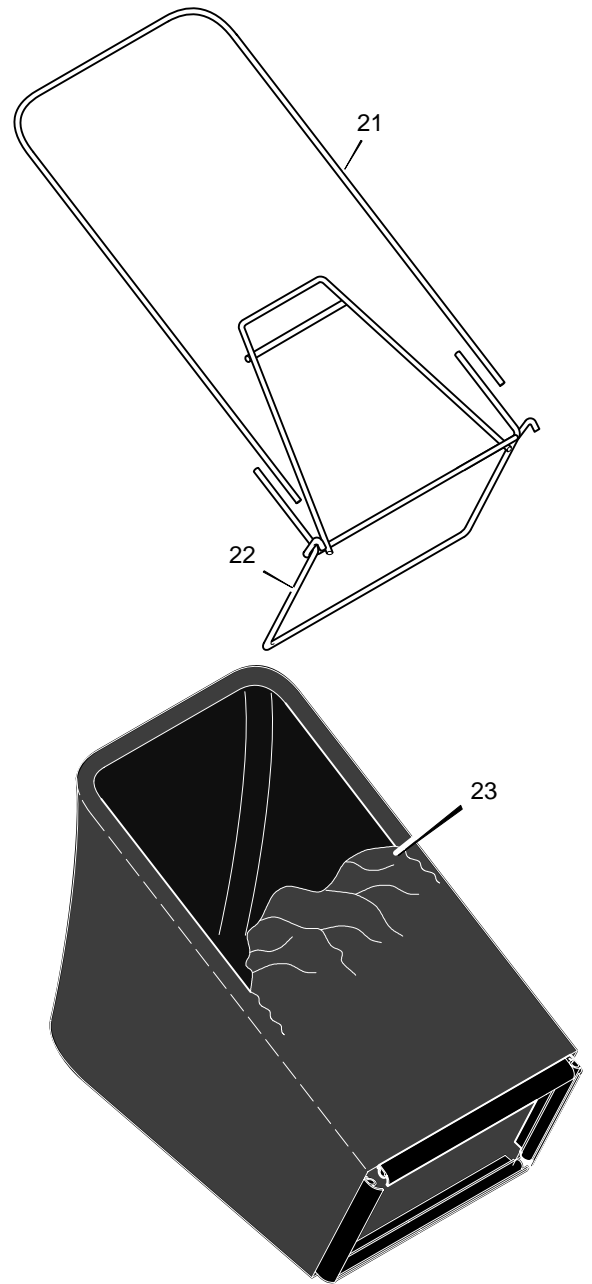
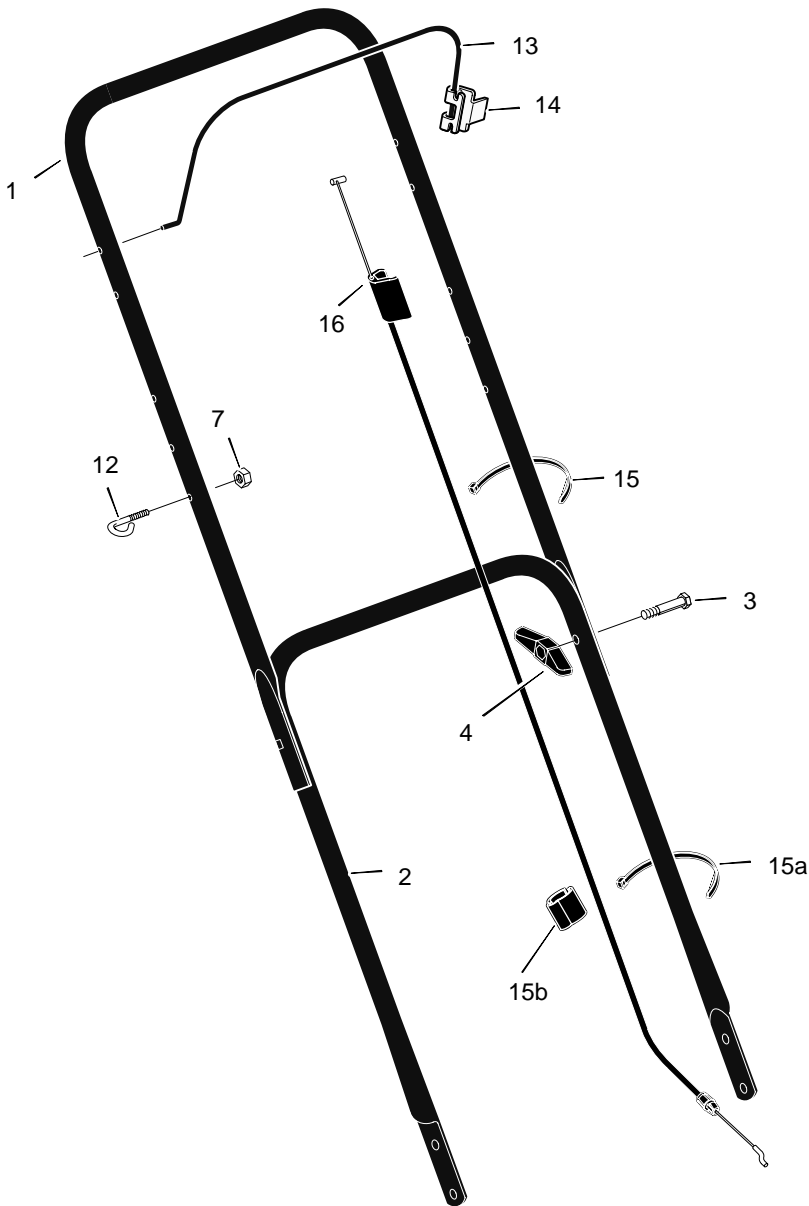
REPAIR PARTS



| | | | | | | | | |
|----|-----------------------------|-------------|----|------------------------------|------------|----|-----------------------------|-------------|
| 1 | Housing | 776150 | 12 | Hub Cap - Optional | 672122 | 25 | Door, Rear | 672613 |
| 2 | Engine * | * | 13 | Nut, Flange | 15x84 | 26 | Spring | 166x44 |
| 3 | Bolt, Carriage | 2x81 | 14 | Washer, Belleville | 17x137 | 27 | Guard, Rear | 671970 |
| 4 | Adjuster, Left Rear Height | 672605 | 15 | Washer | 17x124 | 28 | Wheel | 71132 |
| 5 | Push On Cap | 28x49 | 16 | Bolt | 1x153 | 29 | Bracket, Right Handle | 1101238E700 |
| 6 | Bracket, Left Handle | 1101239E700 | 17 | Blade | 672763E701 | 30 | Adjuster, Right Rear Height | 672604 |
| 7 | Adjuster, Left Front Height | 672601 | 18 | Adapter, Blade | 672503 | 31 | Screw | 26x245 |
| 8 | Nut, Flange | 15x68 | 19 | Adjuster, Right Front Height | 672600 | 32 | Guard, Rear | 671990 |
| 9 | Nut, Hex | 15x102 | 20 | Bolt, Engine | 25x6 | 71 | Washer | 17x91 Z |
| 10 | Washer | 17x38 | 23 | Nut, Flange | 15x88 | 74 | Knob | 71495 |
| 11 | Screw | 4x21 | 24 | Rod, Pivot | 215x17 Z | -- | Instruction Book | F-010431L |

MODEL 20415x50C

REPAIR PARTS



| | | | | | | | | |
|---|----------------------|------------|-----|------------------------|------------|----|----------------|---------|
| 1 | Handle, Upper (Gray) | 671918E724 | 12 | Guide, Rope | 71530 | 17 | Pin, Hair | 31x9 |
| 2 | Handle, Lower (Gray) | 672874E724 | 13 | Engine Stop Lever | 671924E701 | 21 | Frame, Top | 71592 |
| 3 | Bolt | 2x77 | 14 | Bracket, Stop Lever | 43628 BC | 22 | Frame Assembly | 672905 |
| 4 | Knob, Plastic | 71294 | 15a | Tie, Cable | 71372 | 23 | Bag, Cloth | 1101032 |
| 7 | Locknut | 15x116 | 15b | Fastener, Single Cable | 1101352 | | | |
| | | | 16 | Engine Stop Cable | 1101360 | | | |