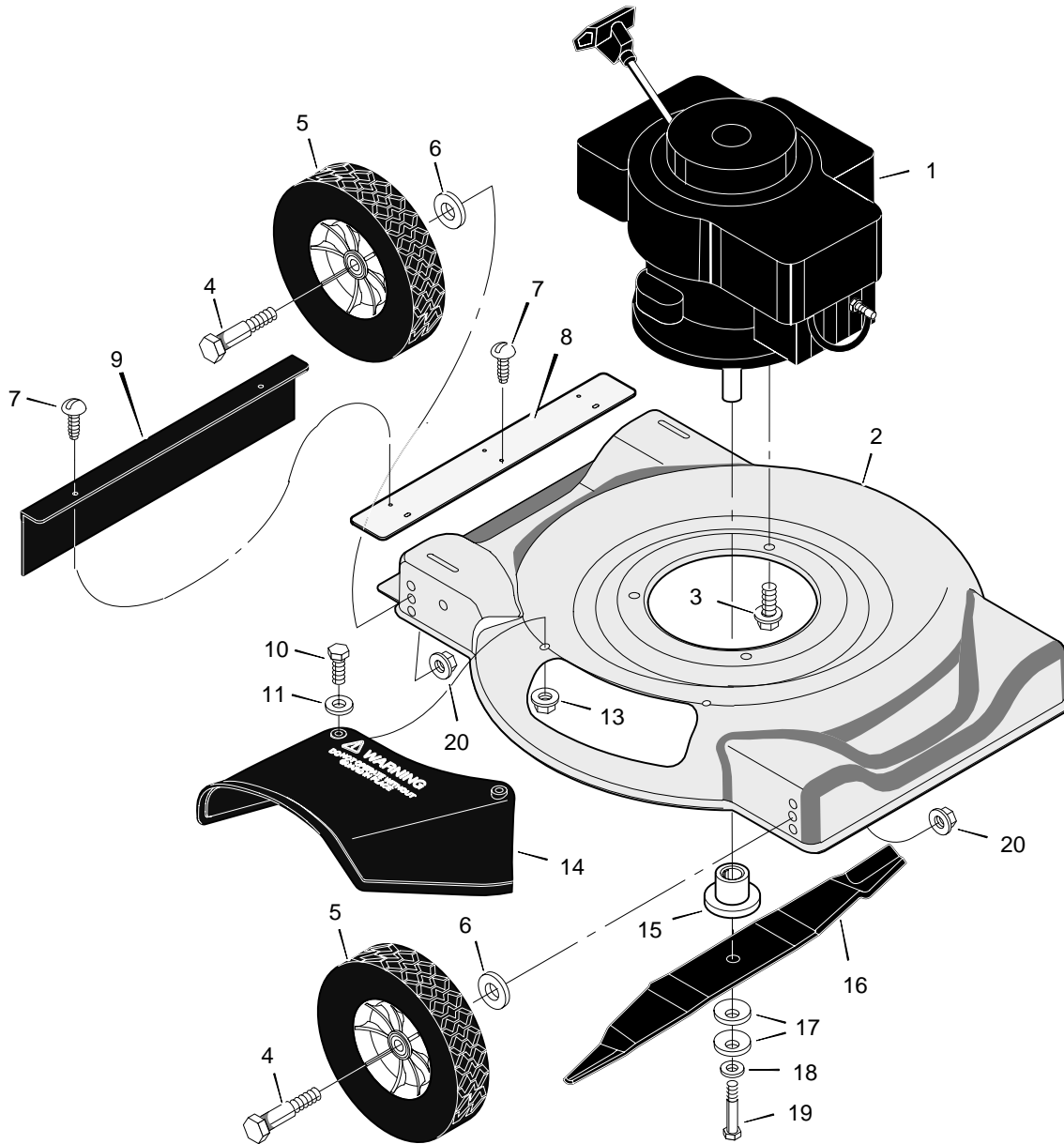


MODEL 20101x50A

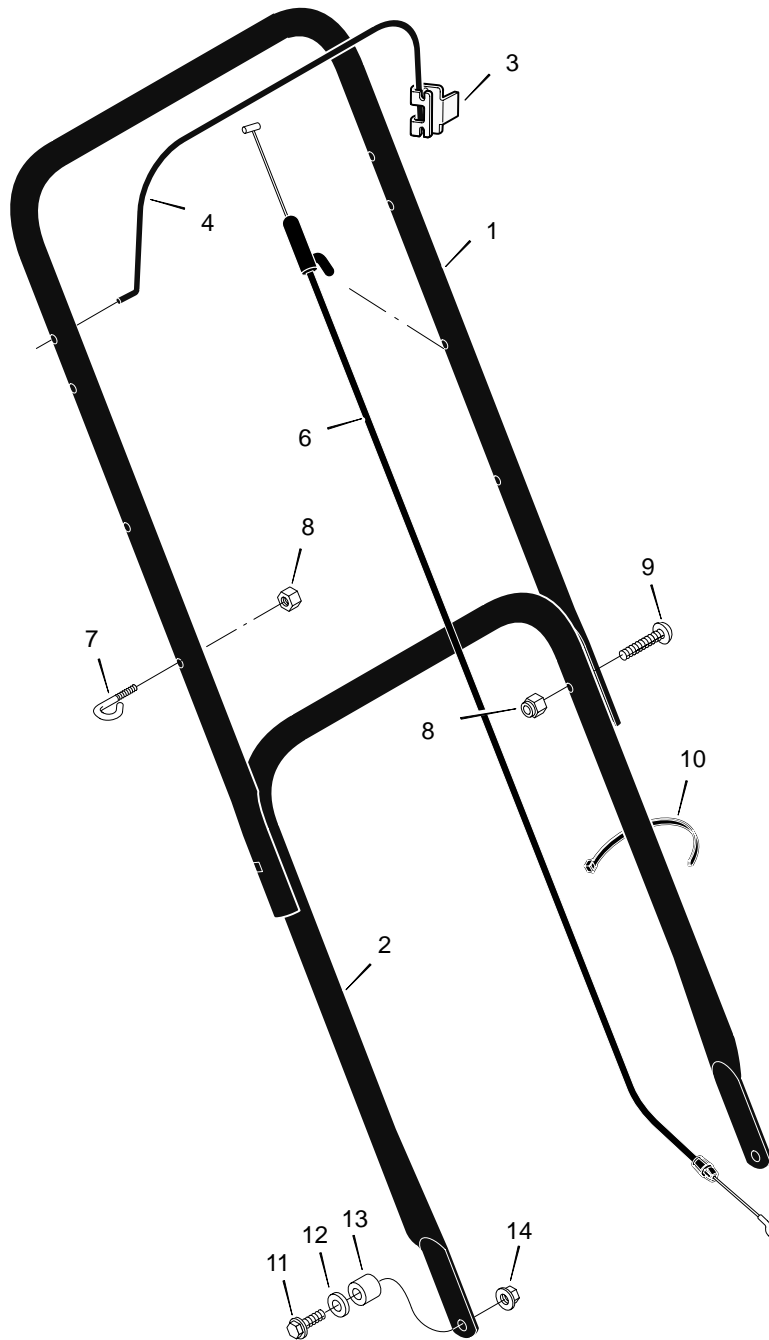
REPAIR PARTS



1	Engine *	*	8	Extension, Rear	672750E701	16	Blade – 20"	672814E701
2	Housing	776006	9	Deflector, Rear	671912	17	Washer, Blade	17x137
3	Bolt, Engine	25x6	10	Bolt	1x121	18	Washer	17x124
4	Bolt, Axle	9x10	11	Washer	17x37 Z	19	Bolt	1x142
5	Wheel and Tire	672789	13	Locknut	15x116	20	Locknut	15x68
6	Washer	10851 Z	14	Deflector, Chute	671929	-	Book, Instruction	F-99443
7	Screw	26x245	15	Blade Adapter	71056			

MODEL 20101x50A

REPAIR PARTS



1	Handle, Upper (Gray)	672665E724	6	Engine Stop Cable	672556	11	Bolt	1x111
2	Handle, Lower (Gray)	671946E724	7	Guide, Rope	43956	12	Washer	10851 Z
3	Bracket, Stop Lever	43628 BC	8	Locknut	15x116	13	Spacer	671914
4	Lever, Stop	671924E700	9	Screw	3x136	14	Nut	15x84
			10	Fastener, Cable	71372			