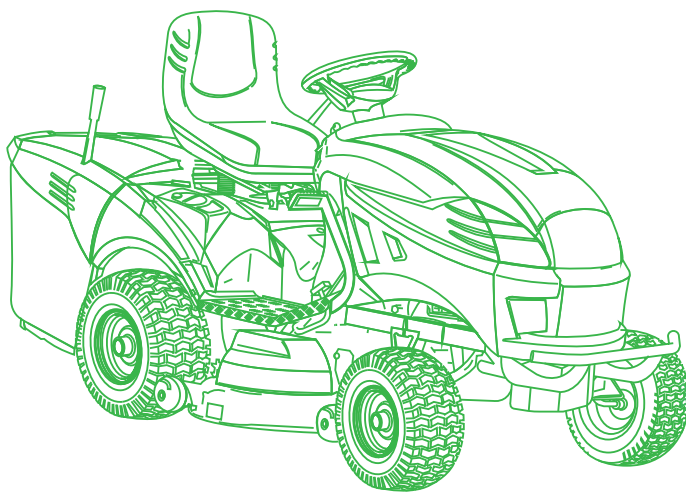


ILLUSTRATED PARTS LIST

THS 122 Hydro

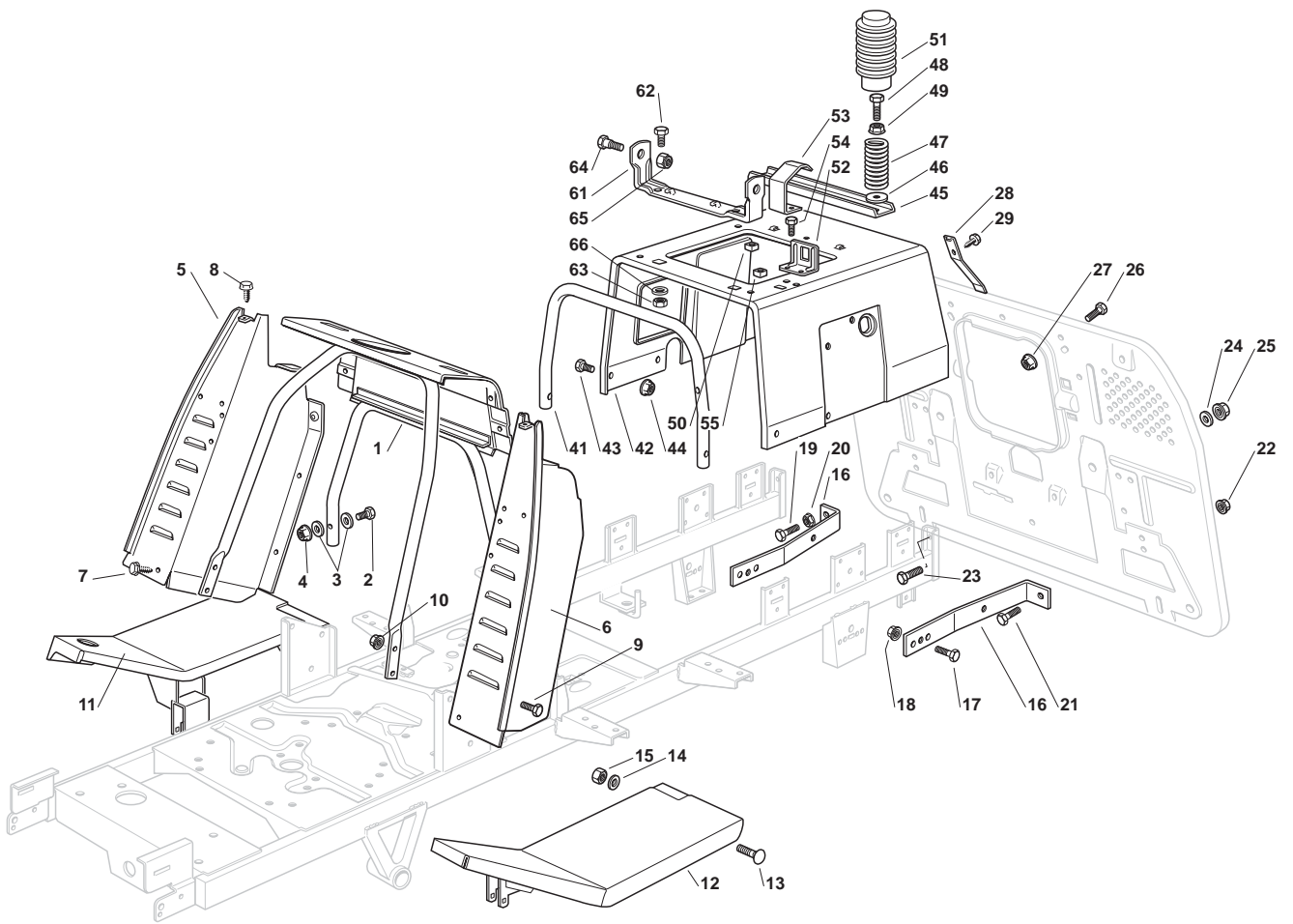


- Use GLOBAL GARDEN PRODUCT Genuine Spare Parts specified in the parts list for repair and/or replacement.
- The contents described in the parts list may change due to improvement.
- The drawings of the spare parts are only indicative and might not represent the part in question exactly.
- The indications "right" - "left" - "front" - "rear" refer to the position of the operator when using the machine.
- When placing orders of parts for repair and/or replacement, make sure that the illustrated parts list is the one applying to the machine's year of manufacture, as shown on the identification plate attached to the machine.

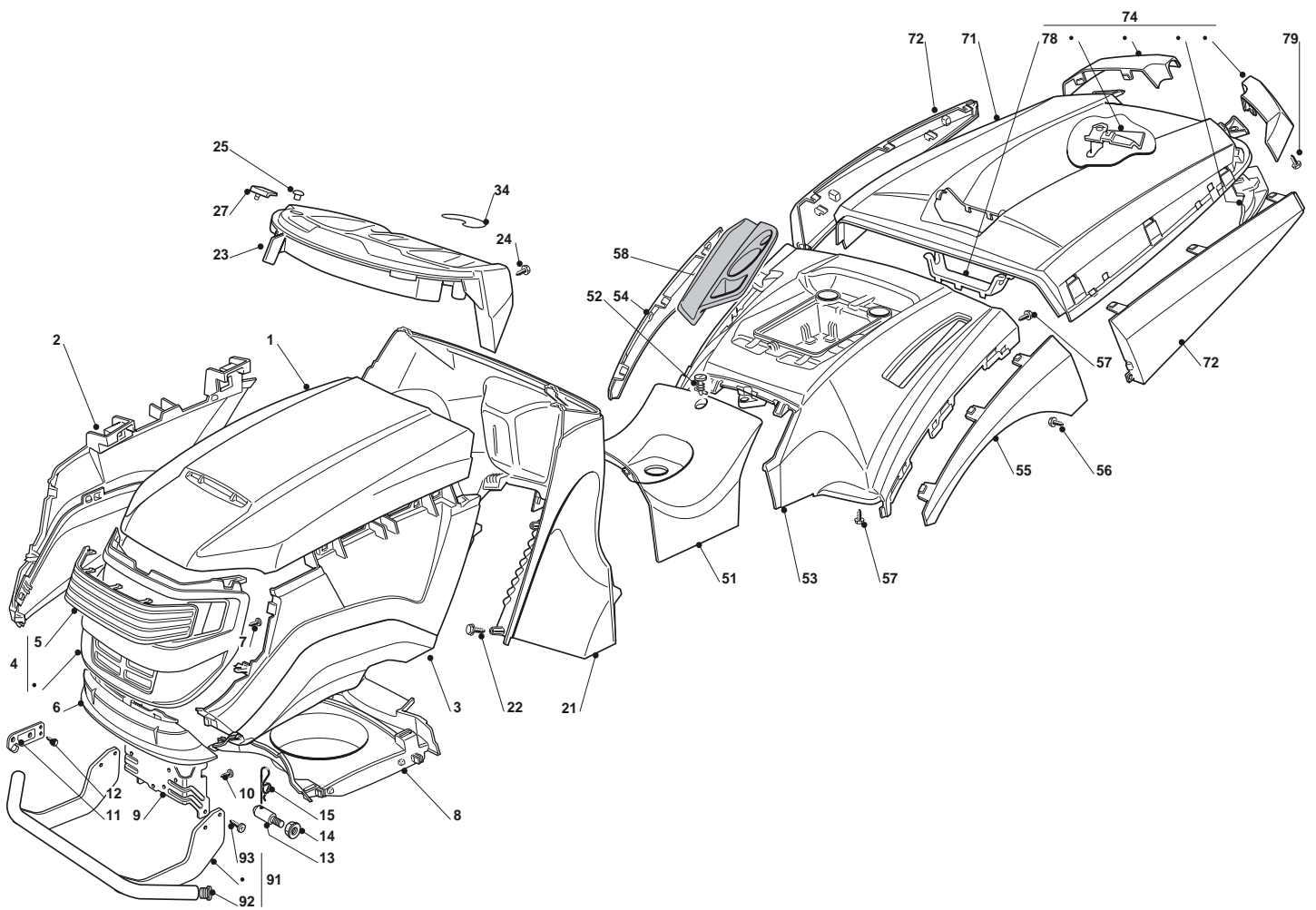
© Copyright 2014 Global Garden Products

All content is subject to copyright by Global Garden Products and may not be reproduced in whole or in part by any means, electronic or otherwise, without prior written approval.

THIS INFORMATION IS NOT INTENDED FOR SALE OR RESALE, AND THIS NOTICE MUST REMAIN ON ALL COPIES.



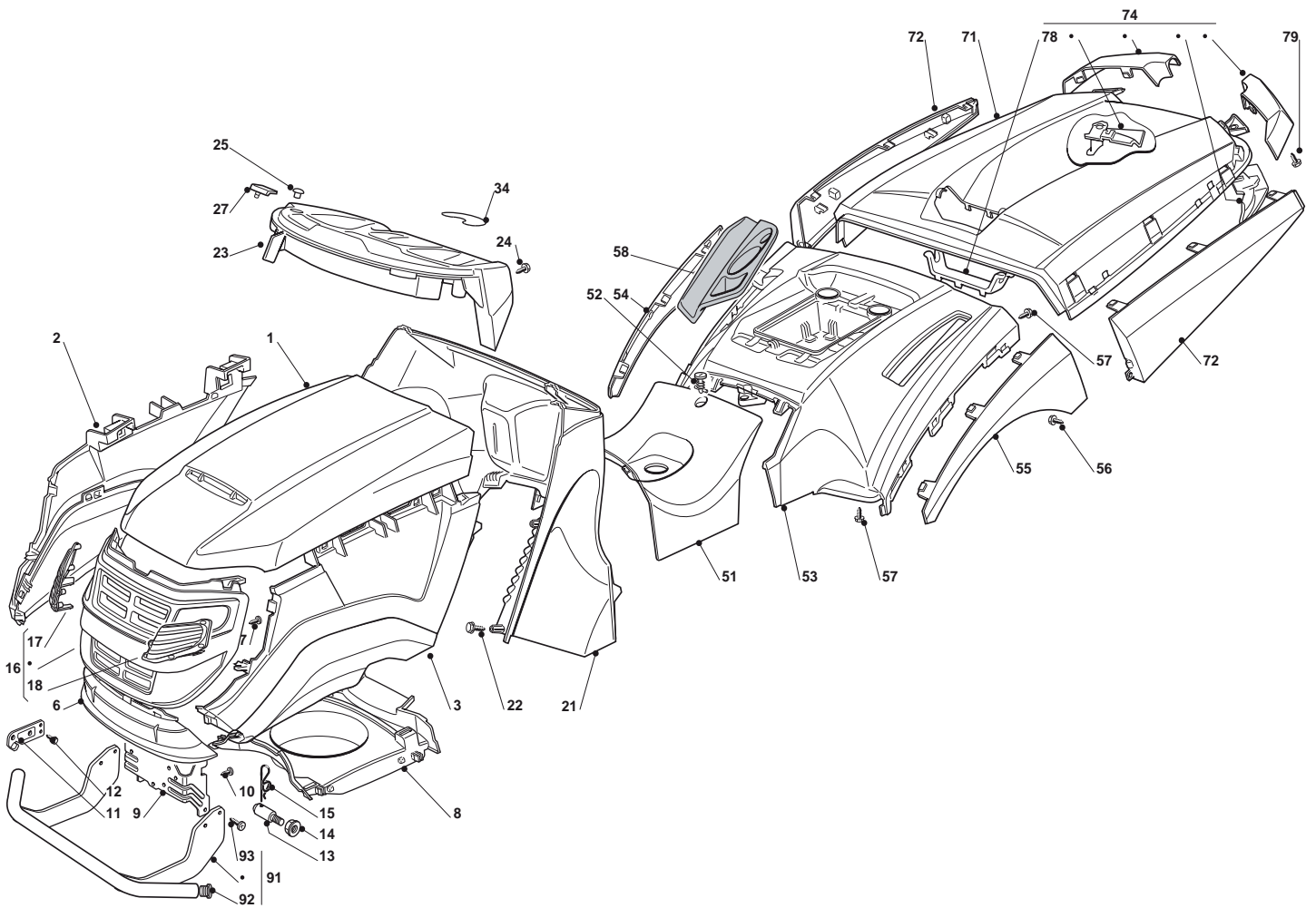
Chassis							
POS	CODE	Q.TY	DESCRIPTION	DESCRIZIONE	DESCRIPTION	BESCHREIBUNG	NOTES
1	382785247/1	1	Stiffening	Rinforzo	Renforcement	Verstaerkung	
2	112674550/0	2	Screw	Vite	Vis	Schraube	
3	112523040/0	4	Washer	Rondella	Rondelle	Scheibe	
4	112292102/0	2	Nut	Dado	Ecrou	Nuss	
5	382785022/9	1	Right Dashboard Support	Supp. Cruscotto Destro	Support Tableau Droit	Rechter Konsolehalter	
6	382785021/8	1	Left Dashboard Support	Supp. Cruscotto Sinistro	Support Tableau Gauche	Linker Konsolehalter	
7	112735110/0	2	Screw	Vite	Vis	Schraube	
8	112735110/0	2	Screw	Vite	Vis	Schraube	
9	112791400/0	6	Screw	Vite	Vis	Schraube	
10	112292102/0	6	Nut	Dado	Ecrou	Nuss	
11	325500046/0	1	Right Footboard	Pedana Destra	Marchepied Droit	Rechte Fussbrett	
12	325500047/0	1	Left Footboard	Pedana Sinistra	Marchepied Gauche	Linke Fussbrett	
13	112728689/0	4	Screw	Vite	Vis	Schraube	
14	112523040/0	4	Washer	Rondella	Rondelle	Scheibe	
15	112523030/0	4	Washer	Rondella	Rondelle	Scheibe	
16	325774273/1	2	Stiffening	Rinforzo	Renforcement	Verstaerkung	
17	112793102/0	2	Screw	Vite	Vis	Schraube	
18	112293201/0	2	Nut	Dado	Ecrou	Nuss	
19	112691100/0	1	Screw	Vite	Vis	Schraube	
20	112293200/0	1	Nut	Dado	Ecrou	Nuss	
21	112792611/0	1	Screw	Vite	Vis	Schraube	
22	112293201/0	2	Nut	Dado	Ecrou	Nuss	
23	112794300/0	2	Screw	Vite	Vis	Schraube	
24	112521360/0	2	Washer	Rondella	Rondelle	Scheibe	
25	112156602/0	2	Nut	Dado	Ecrou	Nuss	
26	112791011/0	5	Screw	Vite	Vis	Schraube	
27	112292102/0	5	Nut	Dado	Ecrou	Nuss	
28	125430238/1	1	Spring	Molla	Ressort	Feder	
29	112731580/0	1	Screw	Vite	Vis	Schraube	
41	325869085/0	1	Stiffening	Rinforzo	Renforcement	Verstaerkung	
42	325785133/5	1	Seat Support	Supporto Sedile	Support Siege	Sitzhalter	
43	112791011/0	8	Screw	Vite	Vis	Schraube	
44	112292102/0	8	Nut	Dado	Ecrou	Nuss	
45	325650067/0	1	Stiffening	Rinforzo	Renforcement	Verstaerkung	
46	112523070/0	2	Washer	Rondella	Rondelle	Scheibe	
47	125430205/1	2	Spring	Molla	Ressort	Feder	
48	125943001/1	2	Screw	Vite	Vis	Schraube	
49	112293201/0	2	Nut	Dado	Ecrou	Nuss	
50	112360420/0	2	Nut	Dado	Ecrou	Nuss	
51	325737002/0	2	Hood	Cuffia	Protecteur	Schutzkasten	
52	325755025/2	1	Bracket	Squadretta	Equerre-Support	Winkel	
53	325430255/0	1	Spring	Molla	Ressort	Feder	
54	112735110/0	2	Screw	Vite	Vis	Schraube	
55	112437502/0	2	Plate	Plate	Plate	Plate	
61	382774207/0	1	Seat Clamp Support	Staffa Supporto Sedile	Etrier Support Siege	Bride F. Sitzhalter	
62	112691115/0	2	Screw	Vite	Vis	Schraube	
63	112155000/0	2	Nut	Dado	Ecrou	Nuss	
64	122524970/2	2	Fulcrum Pin	Perno Fulcro	Pivot	Gelenkpunkt	
65	112155010/0	2	Nut	Dado	Ecrou	Nuss	
66	112523070/0	2	Washer	Rondella	Rondelle	Scheibe	



Body

In parts list notes identify as model with Mono Lights TS

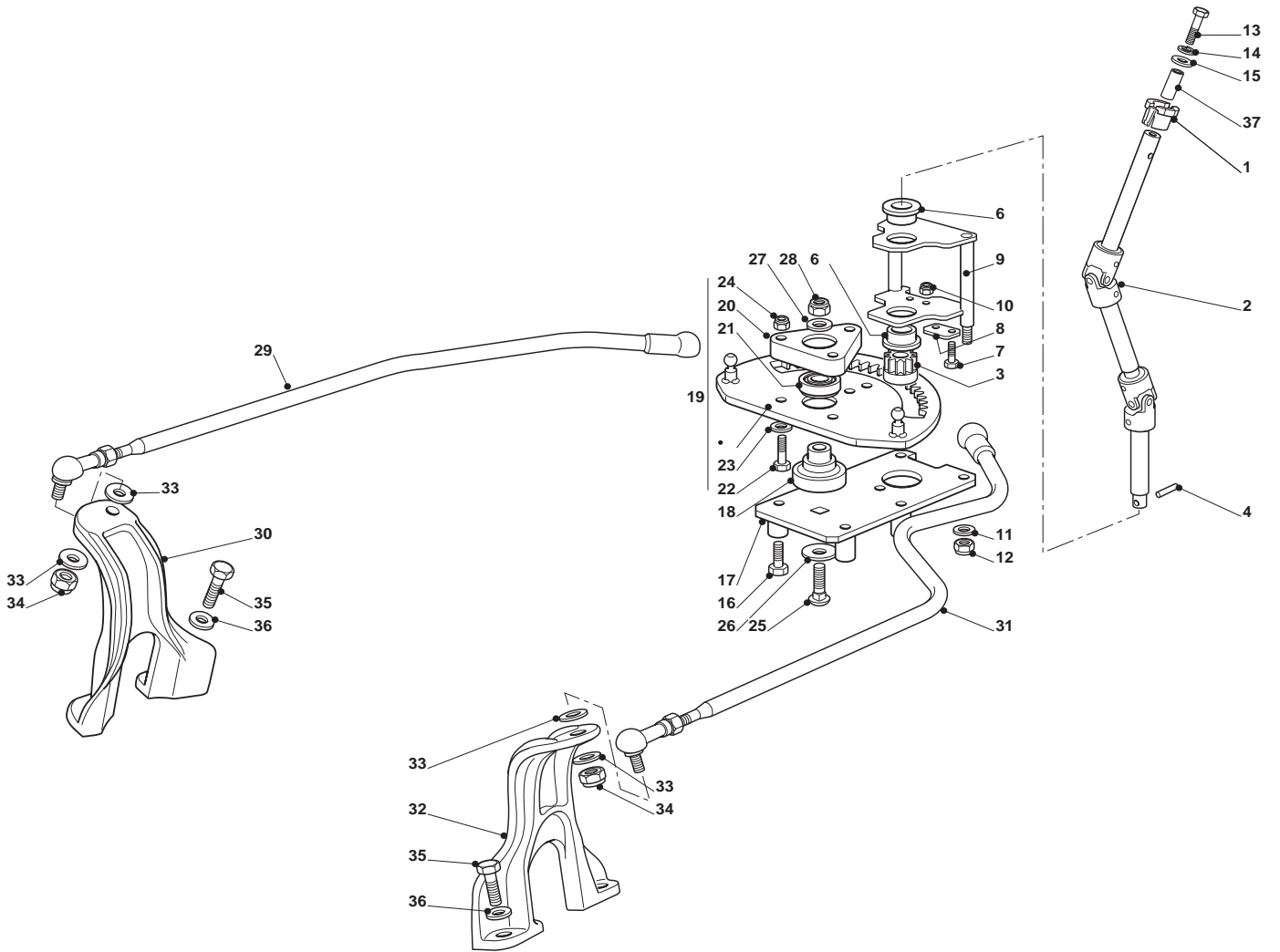
POS	CODE	Q.TY	DESCRIPTION	DESCRIZIONE	DESCRIPTION	BESCHREIBUNG	NOTES
1	325076871/0	1	Upper Engine Hood, Red	Cofano Superiore Rosso	Capot Rouge	Haubesatz Rot	
2	382394620/0	1	Hood, Right	Cofano Dx	Capot Droit	Rechte Haube	
3	382394621/0	1	Hood, Left	Cofano Sx	Capot Gauche	Linke Haube	
4	382394618/0	1	Hood, Front	Cofano Frontale	Capot Avant	Vorde Haube	
5	325410878/0	1	Grill	Mascherina	Panneau	Schutz	
6	325076877/0	1	Lower Red Hood, Front	Cofano Frontale Inferiore - Rosso	Capot Avant	Vorde Haube	
7	112735403/0	6	Screw	Vite	Vis	Schraube	
8	325108031/0	1	Conveyor	Convogliatore	Convoyeur	Konveyor	
9	325774301/2	1	Engine Hood Support	Supporto Cofano	Support Capot	Haubehalter	
10	112735403/0	5	Screw	Vite	Vis	Schraube	
11	325547159/1	2	Plate	Piastrina	Plaque	Plättchen	
12	112731580/0	4	Screw	Vite	Vis	Schraube	
13	125510079/1	2	Pin	Perno	Pivot	Bolzen	
14	112293201/0	2	Nut	Dado	Ecrou	Nuss	
15	124487998/0	1	Cotter Pin	Copiglia	Goupille	Split	
21	325785228/1	1	Dashboard Support	Supporto Cruscotto	Support Tableau Comm.	Konsolehalter	
22	112735403/0	7	Screw	Vite	Vis	Schraube	
23	325120211/0	1	Dashboard, Red (Cruise Control)	Cruscotto, Rosso (Cruise Control)	Console, Rouge (Cruise Control)	Konsole, Rot (Cruise Control)	
23	325120213/0	1	Dashboard, Black (Cruise Control)	Cruscotto, Nero (Cruise Control)	Console, Noir (Cruise Control)	Konsole, Schwarz (Cruise Control)	
24	112728440/0	4	Screw	Vite	Vis	Schraube	
25	125120200/0	2	Cap	Tappo	Bouchon	Stopfen	
27	125260000/0	2	Grommet	Gommino	Caoutchouc	Gummi	
34	325207185/0	1	Cover	Coperchio	Couvercle	Deckel	
51	325110386/0	1	Cover	Coperchio	Couvercle	Deckel	
52	125580020/2	1	Pin	Perno	Pivot	Bolzen	
53	325109744/0	1	Red Wheels Cover	Copertura Ruote Rosso	Couvre Roues Rouge	Radenkappe Rot	
54	325109753/0	1	Right Wheel Cover	Copri ruota Destro	Couvre-Roue Droit	Rechte Radkappe	
55	325109752/0	1	Left Wheel Cover	Copri ruota Sinistro	Couvre-Roue Gauche	Linke Radkappe	
56	112728686/0	2	Screw	Vite	Vis	Schraube	
57	112735402/0	4	Screw	Vite	Vis	Schraube	
58	325207184/0	1	Cover	Coperchio	Couvercle	Deckel	
71	325110302/0	1	Red Grass-Catcher Cover	Copertura Sacco Rosso	Couvre-Bac, Rouge	Sackkappe, Rot	
72	382110255/0	1	Cover Assy	Ass. Cappottina	Ens. Capot	Satz Haube	
74	382110259/0	1	Angles Assy	Assieme Angolari	Corniere Ens.	Winkelprofil	
78	325394009/0	1	Handle Cover	Copertura Maniglia	Couvre-Poignee	Griffkappe	
79	112735403/0	4	Screw	Vite	Vis	Schraube	
91	382869039/0	1	Muffler Protection	Protezione Silenziatore	Protection Silencieux	Auspuffschutz	
92	118737860/0	2	Cap	Tappo	Bouchon	Stopfen	
93	112734995/0	4	Screw	Vite	Vis	Schraube	



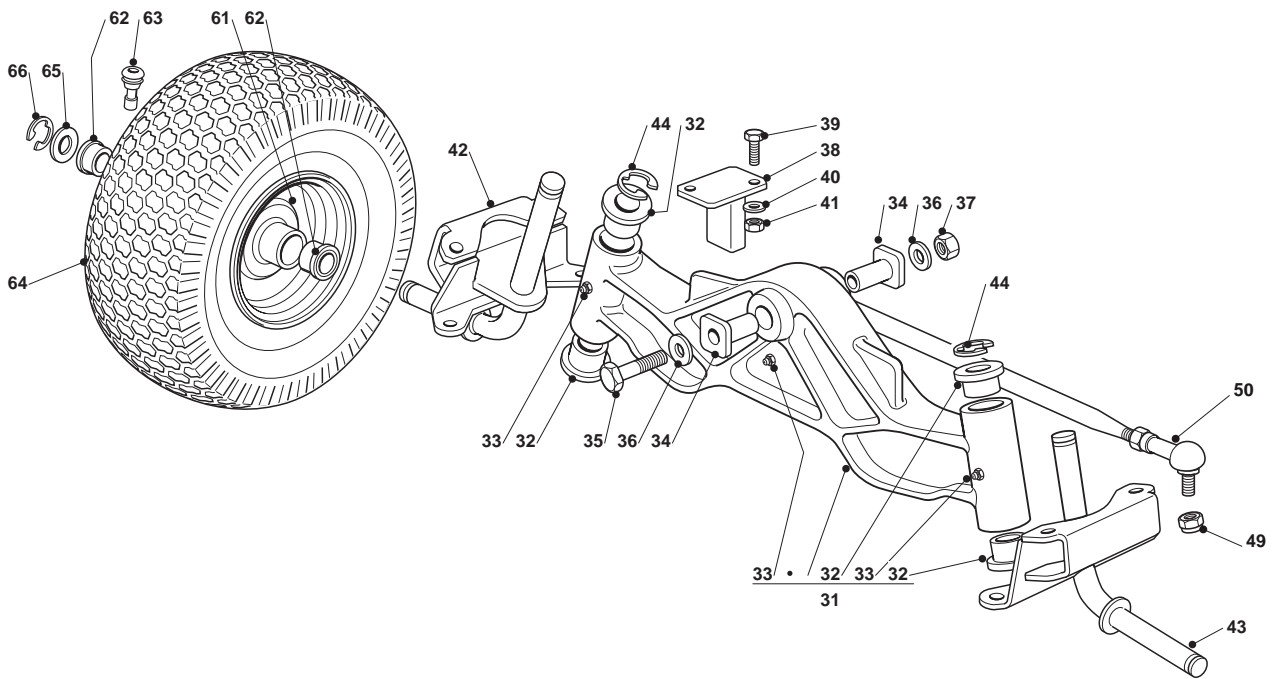
Body

In parts list notes identify as model with Two Lights TS

POS	CODE	Q.TY	DESCRIPTION	DESCRIZIONE	DESCRIPTION	BESCHREIBUNG	NOTES
1	325076871/0	1	Upper Engine Hood, Red	Cofano Superiore Rosso	Capot Rouge	Haubesatz Rot	
2	382394620/0	1	Hood, Right	Cofano Dx	Capot Droit	Rechte Haube	
3	382394621/0	1	Hood, Left	Cofano Sx	Capot Gauche	Linke Haube	
6	325076877/0	1	Lower Red Hood, Front	Cofano Frontale Inferiore -	Capot Avant	Vorde Haube	
7	112735403/0	6	Screw	Vite	Vis	Schraube	
8	325108031/0	1	Conveyor	Convogliatore	Convoyeur	Konveyor	
9	325774301/2	1	Engine Hood Support	Supporto Cofano	Support Capot	Haubehalter	
10	112735403/0	5	Screw	Vite	Vis	Schraube	
11	325547159/1	2	Plate	Piastrina	Plaquette	Plättchen	
12	112731580/0	4	Screw	Vite	Vis	Schraube	
13	125510079/1	2	Pin	Perno	Pivot	Bolzen	
14	112293201/0	2	Nut	Dado	Ecrou	Nuss	
15	124487998/0	1	Cotter Pin	Copiglia	Goupille	Split	
16	382394628/0	1	Hood, Front	Cofano Frontale	Capot Avant	Vorde Haube	
17	325410881/0	1	Right Grill	Mascherina Destra	Protection, Droit	Rechte Schutz	
18	325410882/0	1	Left Grill	Mascherina Sinistra	Protection, Gauche	Linke Schutz	
21	325785228/1	1	Dashboard Support	Supporto Cruscotto	Support Tableau Comm.	Konsolehalter	
22	112735403/0	7	Screw	Vite	Vis	Schraube	
23	325120211/0	1	Dashboard, Red (Cruise Control)	Cruscotto, Rosso (Cruise Control)	Console, Rouge (Cruise Control)	Konsole, Rot (Cruise Control)	
23	325120213/0	1	Dashboard, Black (Cruise Control)	Cruscotto, Nero (Cruise Control)	Console, Noir (Cruise Control)	Konsole, Schwarz (Cruise Control)	
24	112728440/0	4	Screw	Vite	Vis	Schraube	
25	125120200/0	2	Cap	Tappo	Bouchon	Stopfen	
27	125260000/0	2	Grommet	Gommino	Caoutchouc	Gummi	
34	325207185/0	1	Cover	Coperchio	Couvercle	Deckel	
51	325110386/0	1	Cover	Coperchio	Couvercle	Deckel	
52	125580020/2	1	Pin	Perno	Pivot	Bolzen	
53	325109744/0	1	Red Wheels Cover	Copertura Ruote Rosso	Couvre Roues Rouge	Radenkappe Rot	
54	325109753/0	1	Right Wheel Cover	Copriruota Destro	Couvre-Roue Droit	Rechte Radkappe	
55	325109752/0	1	Left Wheel Cover	Copriruota Sinistro	Couvre-Roue Gauche	Linke Radkappe	
56	112728686/0	2	Screw	Vite	Vis	Schraube	
57	112735402/0	4	Screw	Vite	Vis	Schraube	
58	325207184/0	1	Cover	Coperchio	Couvercle	Deckel	
71	325110302/0	1	Red Grass-Catcher Cover	Copertura Sacco Rosso	Couvre-Bac, Rouge	Sackkappe, Rot	
72	382110255/0	1	Cover Assy	Ass. Cappottina	Ens. Capot	Satz Haube	
74	382110259/0	1	Angles Assy	Assieme Angolari	Corniere Ens.	Winkelprofil	
78	325394009/0	1	Handle Cover	Copertura Maniglia	Couvre-Poignee	Griffkappe	
79	112735403/0	4	Screw	Vite	Vis	Schraube	
91	382869039/0	1	Muffler Protection	Protezione Silenziatore	Protection Silencieux	Auspuffschutz	
92	118737860/0	2	Cap	Tappo	Bouchon	Stopfen	
93	112734995/0	4	Screw	Vite	Vis	Schraube	
78	325394009/0	1	Handle Cover	Copertura Maniglia	Couvre-Poignee	Griffkappe	
79	112735403/0	4	Screw	Vite	Vis	Schraube	
91	382869039/0	1	Muffler Protection	Protezione Silenziatore	Protection Silencieux	Auspuffschutz	
92	118737860/0	2	Cap	Tappo	Bouchon	Stopfen	
93	112734995/0	4	Screw	Vite	Vis	Schraube	

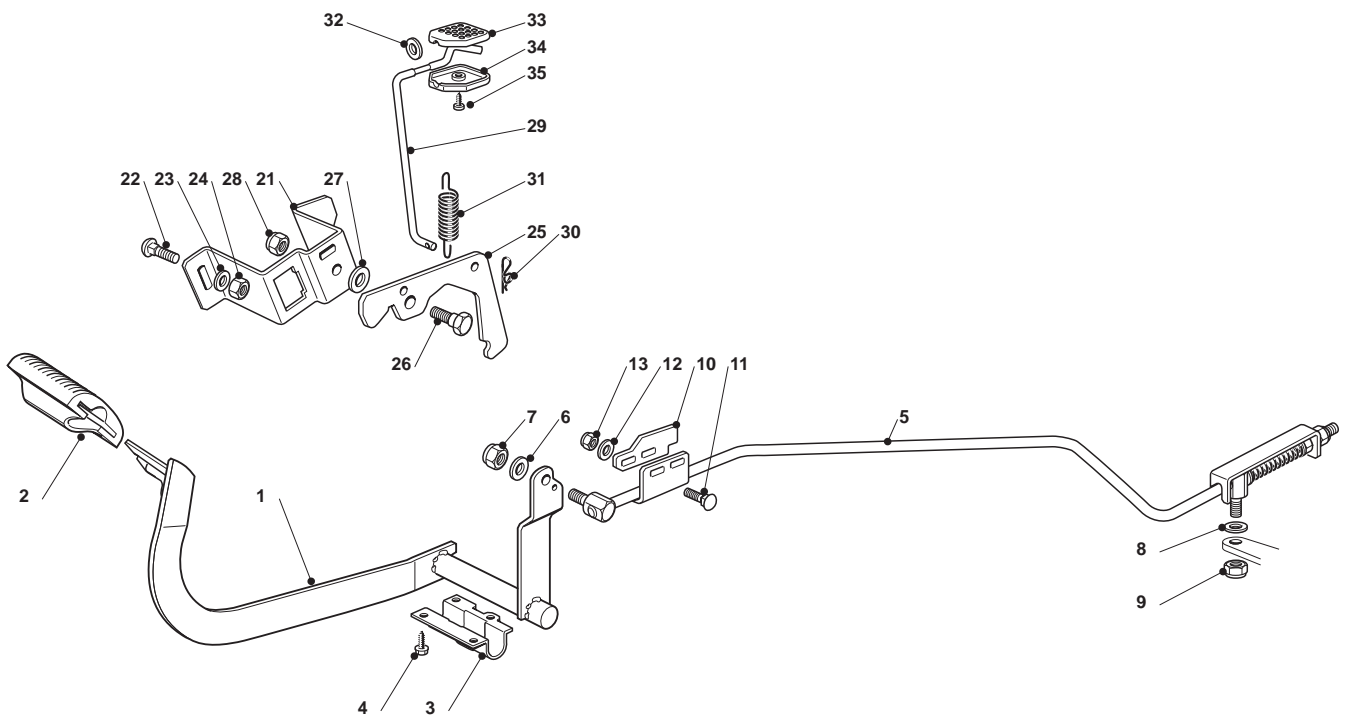


Steering							
POS	CODE	Q.TY	DESCRIPTION	DESCRIZIONE	DESCRIPTION	BESCHREIBUNG	NOTES
1	125034004/0	2	Brass	Bronzina	Coussinet	Büchse	
2	382543053/0	1	Steering Column	Piantone Sterzo	Tube De Direction	Lenkungsaeule	
3	125570006/1	1	Pinion	Pignone	Pignon	Ritzel	
4	112645710/0	1	Elastic Pin	Spina Elastica	Goupille Élastique	Elastischer Stift	
6	125034004/0	2	Brass	Bronzina	Coussinet	Büchse	
7	112788910/0	2	Screw	Vite	Vis	Schraube	
8	325487000/0	1	Plate	Piastra	Plaque	Platte	
9	382785209/0	1	Support	Supporto	Support	Halter	
10	112154330/0	2	Low Self-Locking Nut	Dado Autobloccante	Écrou auto-bloquant	Selbstsichernde Mutter	
11	112521360/0	2	Washer	Rosetta	Rondelle	Scheibe	
12	112156602/0	2	Nut	Dado	Ecrou	Mutter	
13	112691800/0	1	Screw	Vite	Vis	Schraube	
14	112583500/0	1	Grower	Grower	Grower	Federring	
15	112523060/0	1	Washer	Rosetta	Rondelle	Scheibe	
16	112735108/1	4	Screw	Vite	Vis	Schraube	
17	382785207/0	1	Support	Supporto	Support	Halter	
18	125040641/0	1	Support	Supporto	Support	Halter	
19	382735523/0	1	Steering Shaft	Settore Sterzo	Secteur Direction	Lenkkranz	
20	325774453/0	1	Clamp	Staffa	Etrier	Bride	
21	119216047/0	1	Bearing	Cuscinetto	Roul. À Billes	Kugellager	
22	112691100/0	3	Screw	Vite	Vis	Schraube	
23	112523060/0	3	Washer	Rosetta	Rondelle	Scheibe	
24	112155000/0	3	Nut	Dado	Ecrou	Mutter	
25	112819600/0	1	Screw	Vite	Vis	Schraube	
26	112521395/0	1	Washer	Rosetta	Rondelle	Scheibe	
27	112521370/0	1	Washer	Rosetta	Rondelle	Scheibe	
28	112156603/0	1	Nut	Dado	Ecrou	Mutter	
29	382000622/0	1	Steering Rod	Asta Comando Sterzo	Barre De Direction	Lenkungsstab	
30	325774491/1	1	Clamp	Staffa	Etrier	Bride	
31	382000624/0	1	Steering Rod	Asta Comando Sterzo	Barre De Direction	Lenkungsstab	
32	325774393/0	1	Clamp	Staffa	Etrier	Bride	
33	112522050/0	4	Washer	Rosetta	Rondelle	Scheibe	
34	112155700/0	2	Nut	Dado	Ecrou	Mutter	
35	112760585/0	4	Screw	Vite	Vis	Schraube	
36	112521370/0	4	Washer	Rosetta	Rondelle	Scheibe	
37	125160063/0	1	Spacer	Distanziale	Entretoise	Distanzring	

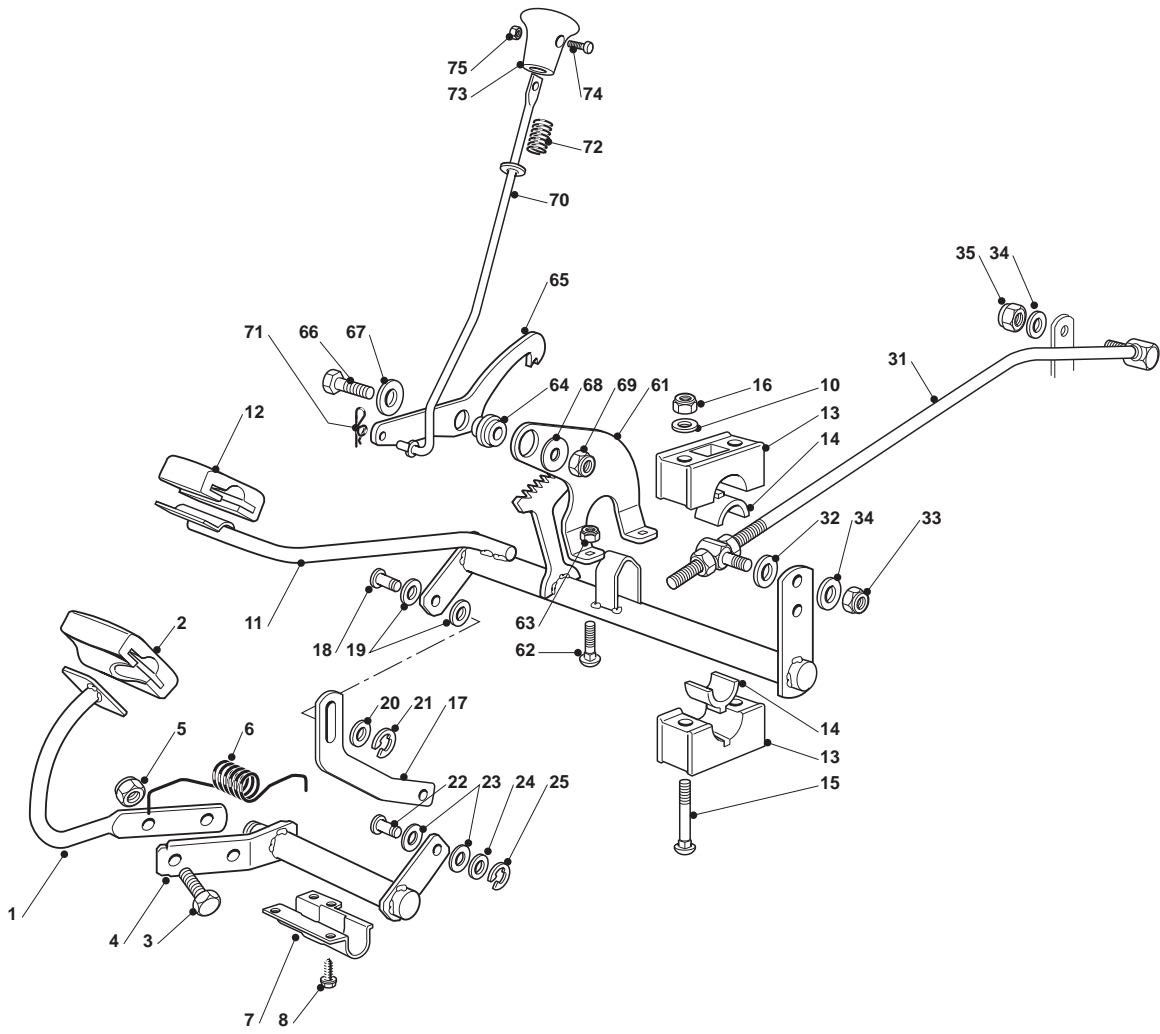


Steering 2WD

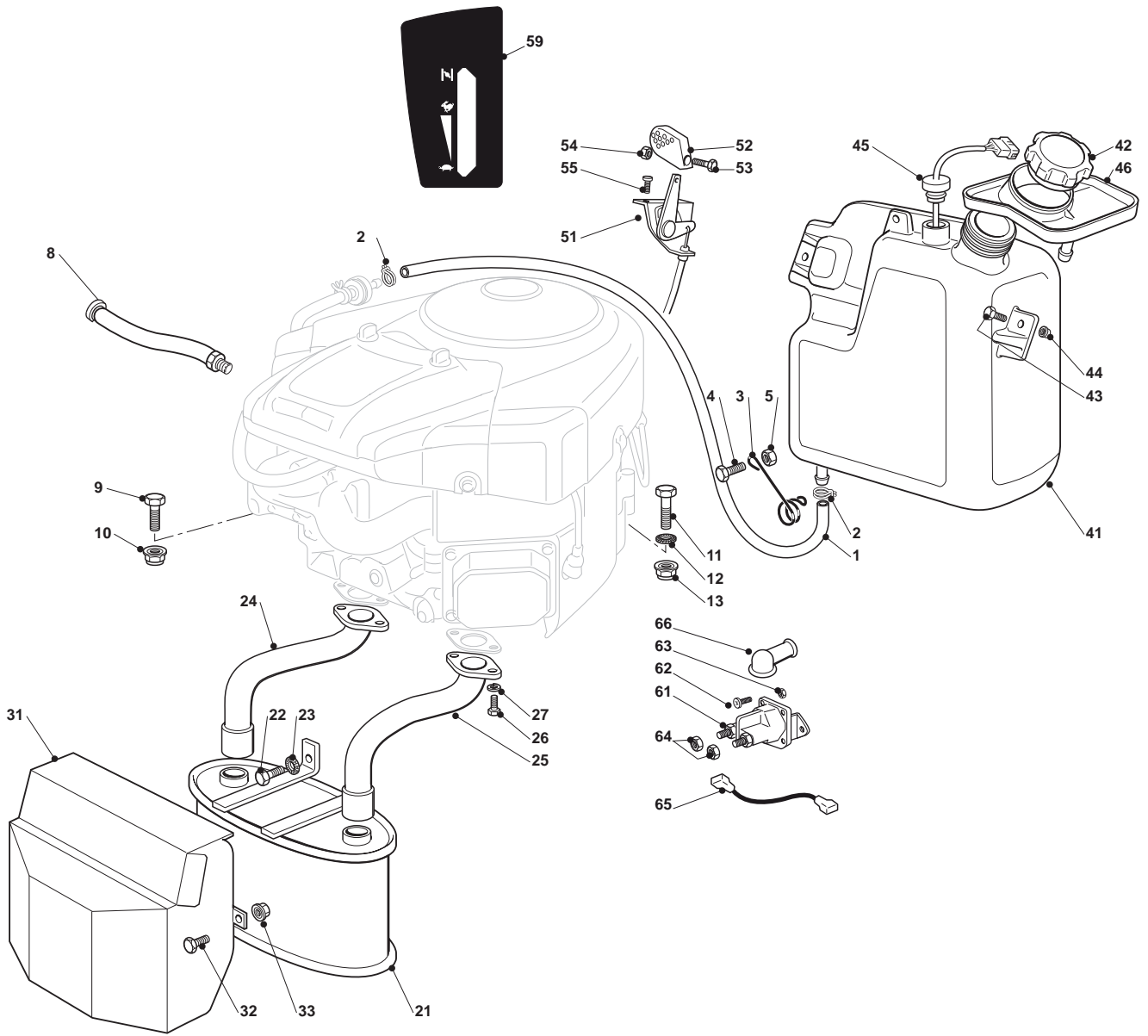
POS	CODE	Q.TY	DESCRIPTION	DESCRIZIONE	DESCRIPTION	BESCHREIBUNG	NOTES
31	382034031/0	1	Equalizer Ass.Y	Assieme Bilanciere Avantreno	Ensamble Balancier	Kipphebelsatz	
32	125040632/0	4	Bush	Bussola	Douille	Buchse	
33	112379511/0	3	Grease Dispenser	Ingrassatore	Graisseur	Fettbüchse	
34	125040633/0	2	Bushing	Bushing	Bushing	Bushing	
35	112695900/0	1	Screw	Vite	Vis	Schraube	
36	112521395/0	3	Washer	Rondella	Rondelle	Scheibe	
37	112295801/0	1	Nut	Dado	Ecrou	Nuss	
38	382190000/1	2	Clamp	Staffa	Etrier	Bride	
39	112819280/0	4	Screw	Vite	Vis	Schraube	
40	112523080/0	4	Washer	Rondella	Rondelle	Scheibe	
41	112156602/0	4	Nut	Dado	Ecrou	Nuss	
42	382230367/1	1	Stub Axle	Fusello	Fuseau	Achsschenkel	
43	382230367/1	1	Stub Axle	Fusello	Fuseau	Achsschenkel	
44	112001000/0	2	Benzing Ring	Anello Benzing	Anneau Benzing	Ring Benzing	
49	112156603/0	4	Nut	Dado	Ecrou	Nuss	
50	382820015/0	1	Tie Rod	Tirante Collegamento Fuselli	Tirant	Spannstange	
61	182000600/0	2	Rimm	Cerchio Ruota	Bandage Roue	Vorderrad Felger	
62	125122200/2	4	Bearing	Cuscinetto	Coussinet	Lager	
63	125950000/0	2	Valve	Valve	Valve	Valve	
64	125590012/0	2	Tyre	Pneumatico	Pneu	Reifen	
65	125670005/1	2	Washer	Rondella	Rondelle	Scheibe	
66	112001010/0	2	Benzing Ring	Anello Benzing	Anneau Benzing	Ring Benzing	



Brake Controls							
POS	CODE	Q.TY	DESCRIPTION	DESCRIZIONE	DESCRIPTION	BESCHREIBUNG	NOTES
1	382500041/0	1	Pedal	Pedal	Pedal	Pedal	
2	125110267/0	1	Clamp Cover	Copristaffa	Couvre Etrier	Bridedeckel	
3	325547081/2	1	Plate	Piastra	Plaque	Platte	
4	112731601/0	4	Screw	Vite	Vis	Schraube	
5	382000554/2	1	Rod	Asta	Tige	Stange	
6	112521350/0	1	Washer	Rosetta	Rondelle	Scheibe	
7	112155000/0	1	Nut	Dado	Ecrou	Mutter	
8	112521350/0	1	Washer	Rosetta	Rondelle	Scheibe	
9	112155000/0	1	Nut	Dado	Ecrou	Mutter	
10	325547281/1	1	Plate	Piastra	Plaque	Platte	
11	112815210/0	2	Screw	Vite	Vis	Schraube	
12	112523040/0	2	Washer	Rosetta	Rondelle	Scheibe	
13	112154510/0	2	Nut	Dado	Ecrou	Mutter	
21	325785143/1	1	Support	Supporto	Support	Halter	
22	112815210/0	2	Screw	Vite	Vis	Schraube	
23	112523040/0	1	Washer	Rosetta	Rondelle	Scheibe	
24	112154510/0	2	Nut	Dado	Ecrou	Mutter	
25	325253009/0	1	Hook	Gancio	Accrochage	Haken	
26	122524970/2	1	Fulcrum Pin	Perno Fulcro	Pivot	Gelenkpunkt	
27	325670011/0	1	Antifriction Washer	Rondella Antifrizione	Rondelle Antifriction	Anti Friktionswäscher	
28	112155000/0	1	Nut	Dado	Ecrou	Mutter	
29	125033047/0	1	Rod	Asta	Tige	Stange	
30	124487997/0	1	Cotter Pin	Coppiglia	Goupille	Split	
31	125430213/0	1	Spring	Molla	Ressort	Feder	
32	112523040/0	1	Washer	Rosetta	Rondelle	Scheibe	
33	325592001/0	1	Knob	Manopola	Poignee	Knopf	
34	325592002/0	1	Knob	Manopola	Poignee	Knopf	
35	112727815/0	1	Screw	Vite	Vis	Schraube	

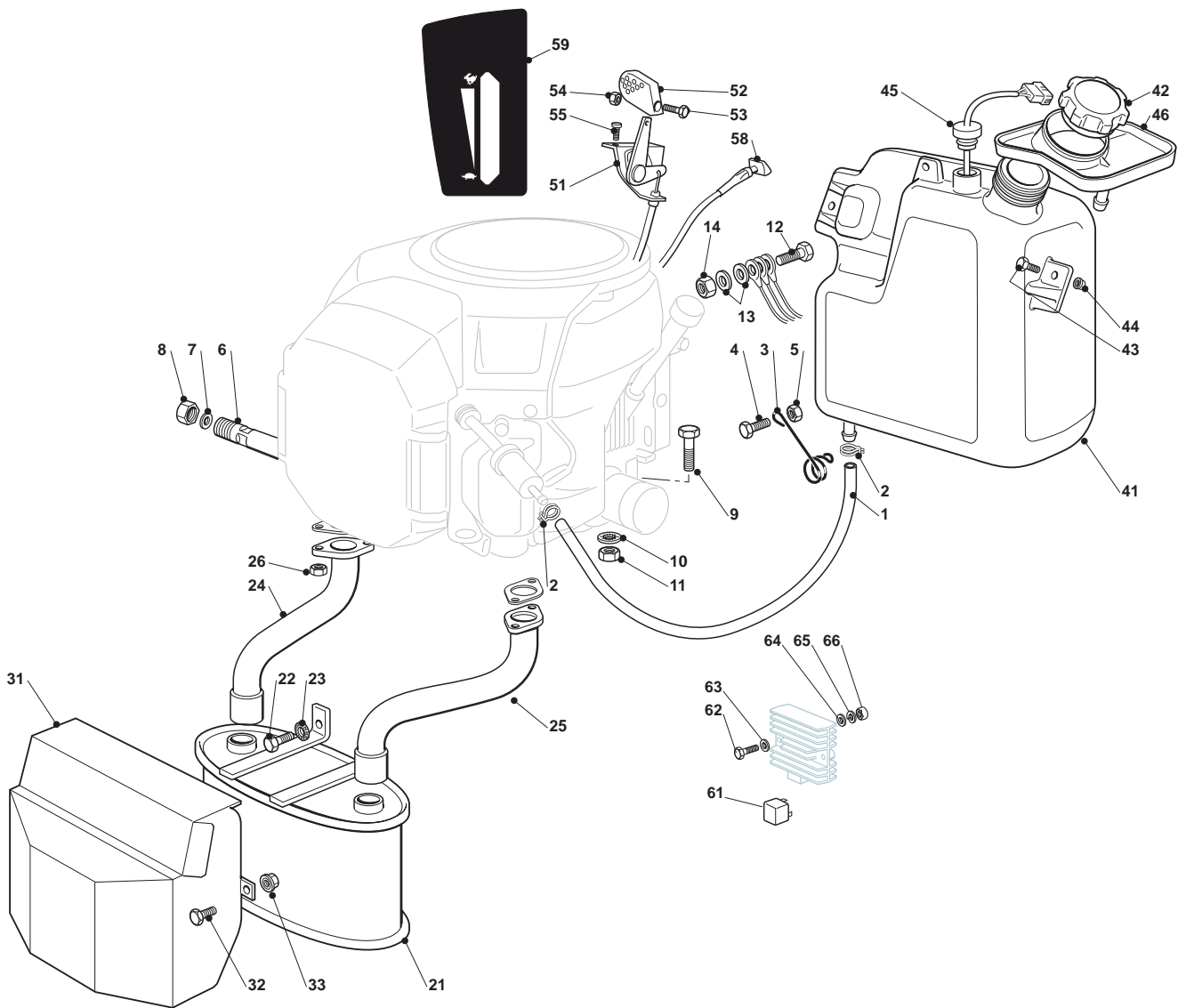


Drive Controls							
POS	CODE	Q.TY	DESCRIPTION	DESCRIZIONE	DESCRIPTION	BESCHREIBUNG	NOTES
1	382500045/0	1	Pedal	Pedal	Pedal	Pedal	
2	325110275/0	1	Clamp Cover	Copristaffa	Couvre Etrier	Bridedeckel	
3	112793301/0	2	Screw	Vite	Vis	Schraube	
4	382000559/1	1	Axle	Asse Avanzamento	Axe	Achse	
5	112155000/0	2	Nut	Dado	Ecrou	Mutter	
6	125430246/1	1	Spring	Molla	Ressort	Feder	
7	325547133/1	1	Plate	Piastra	Plaque	Platte	
8	112731601/0	4	Screw	Vite	Vis	Schraube	
10	112523040/0	4	Washer	Rosetta	Rondelle	Scheibe	
11	382000617/1	1	Axle	Asse Avanzamento	Axe	Achse	
12	325110274/0	1	Clamp Cover Front	Copristaffa Anteriore	Couvre Etrier Avant	Bridedeckel Vorde	
13	325785354/0	4	Support	Supporto	Support	Halter	
14	325034003/0	4	Brass	Brass	Brass	Brass	
15	112815271/0	4	Screw	Vite	Vis	Schraube	
16	112154510/0	4	Nut	Dado	Ecrou	Mutter	
17	325547207/0	1	Plate	Piastra	Plaque	Platte	
18	125510085/1	1	Pin	Perno	Pivot	Bolzen	
19	325670011/0	2	Antifriction Washer	Rondella Antifrizione	Rondelle Antifriction	Anti Friktionswäscher	
20	112521350/0	1	Washer	Rosetta	Rondelle	Scheibe	
21	112000930/0	1	Benzing Ring	Anello Benzing	Anneau Benzing	Ring Benzing	
22	125510085/1	1	Pin	Perno	Pivot	Bolzen	
23	325670011/0	2	Antifriction Washer	Rondella Antifrizione	Rondelle Antifriction	Anti Friktionswäscher	
24	112521350/0	1	Washer	Rosetta	Rondelle	Scheibe	
25	112000930/0	1	Benzing Ring	Anello Benzing	Anneau Benzing	Ring Benzing	
31	382000612/0	1	Rod	Asta	Tige	Stange	
32	112523060/0	1	Washer	Rosetta	Rondelle	Scheibe	
33	112154510/0	1	Nut	Dado	Ecrou	Mutter	
34	112523040/0	2	Washer	Rosetta	Rondelle	Scheibe	
35	112154510/0	1	Nut	Dado	Ecrou	Mutter	
61	325774477/0	1	Clamp	Staffa	Etrier	Bride	
62	112815210/0	2	Screw	Vite	Vis	Schraube	
63	112292102/0	2	Nut	Dado	Ecrou	Mutter	
64	125040638/0	1	Bushing	Bushing	Bushing	Bushing	
65	325022000/1	1	Hook	Gancio	Accrochage	Haken	
66	112691100/0	1	Screw	Vite	Vis	Schraube	
67	112523060/0	1	Washer	Rosetta	Rondelle	Scheibe	
68	322672152/0	1	Antifriction Washer	Rondella Antifrizione	Rondelle Antifriction	Anti Friktionswäscher	
69	112155000/0	1	Nut	Dado	Ecrou	Mutter	
70	125033092/0	1	Rod	Asta	Tige	Stange	
71	124487995/0	1	Cotter Pin	Coppiglia	Goupille	Split	
72	125430232/0	1	Spring	Molla	Ressort	Feder	
73	325605002/0	1	Button	Pulsante	Bouton	Druckknopf	
74	112726389/0	1	Screw	Vite	Vis	Schraube	
75	112290800/0	1	Hexagonal Nut	Dado	Ecrou	Mutter	



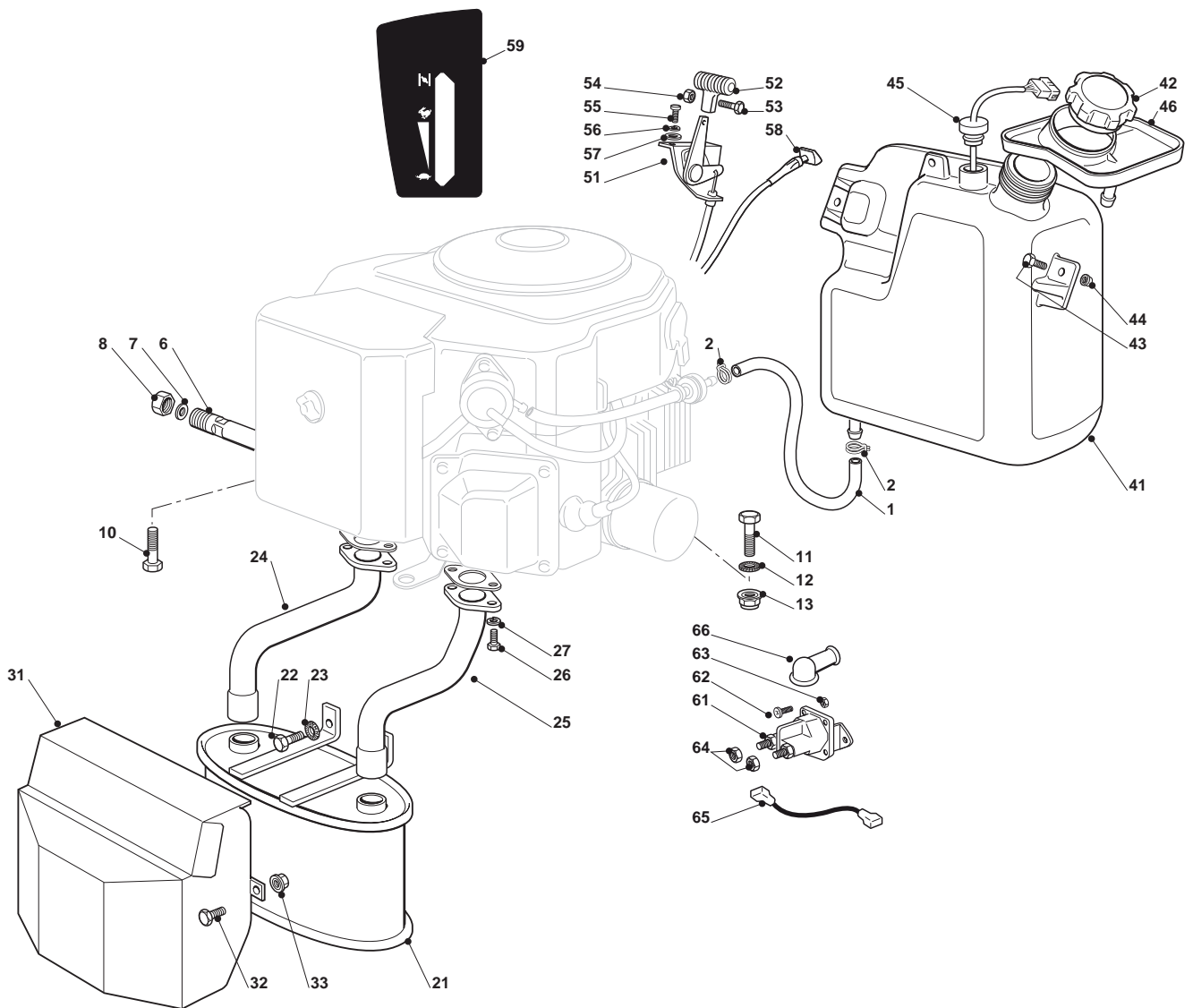
Engine - B&S 22 - 24 HP

POS	CODE	Q.TY	DESCRIPTION	DESCRIZIONE	DESCRIPTION	BESCHREIBUNG	NOTES
1	325869016/1	1	Connecting Tube	Tubo Collegamento	Tube De Connexion	Verbindungsrohr	
2	118375051/1	2	Fair Led	Fascetta	Collier	Rohrschelle	
3	125430239/1	1	Spring	Molla	Ressort	Feder	
4	112790781/0	1	Screw	Vite	Vis	Schraube	
5	112292102/0	1	Nut	Dado	Ecrou	Mutter	
8	1134-5827-01	1	Oil Drain Assy	Oil Drain Assy	Oil Drain Assy	Oil Drain Assy	
9	112691100/0	3	Screw	Vite	Vis	Schraube	
10	112154210/0	3	Self-Locking Nut	Dado Autobloccante	Écrou auto-bloquant	Selbstsichernde Mutter	
11	112691115/0	1	Screw	Vite	Vis	Schraube	
12	112540260/0	1	Grower	Grower	Grower	Federring	
13	112154210/0	1	Self-Locking Nut	Dado Autobloccante	Écrou auto-bloquant	Selbstsichernde Mutter	
21	182750009/0	1	Muffler	Silenziatore	Silencieux	Set Schalldämpfer	
22	112793301/0	2	Screw	Vite	Vis	Schraube	
23	112540260/0	2	Grower	Grower	Grower	Federring	
24	118738236/0	1	Exhaust Right Tube	Tubo Scarico Dx	Tube Droit Pour Echapp.	Rechtes Verbindungsrohr	
25	118738237/0	1	Exhaust Left Tube	Tubo Scarico Sx	Tube Gauche Pour Echapp.	Linkes Verbindungsrohr	
26	112735530/0	4	Screw	Vite	Vis	Schraube	
27	112583500/0	4	Grower	Grower	Grower	Federring	
31	382598043/1	1	Guard	Protezione	Protection	Schutz	
32	112791011/0	2	Screw	Vite	Vis	Schraube	
33	112292102/0	2	Nut	Dado	Ecrou	Mutter	
41	325735125/2	1	Tank	Serbatoio	Réservoir à carburant	Treibstofftank	
42	325795003/0	1	Fuel Cap	Tappo Miscela	Bouhcon Mélange	Deckel Treibstoff	
43	112788910/0	2	Screw	Vite	Vis	Schraube	
44	112500092/0	2	Rivet	Rivetto	Rivet	Niet	
45	125290002/0	1	Fuel Level Indicator	Indicatore Livello	Indicateur Niveau	Kraftstoffmesser	
46	325600086/0	1	Guard	Protezione	Protection	Schutz	
51	182000218/0	1	Accelerator	Acceleratore	Accelérateur	Gas Zug	
52	325592000/0	1	Knob	Manopola	Poignée	Knopf	
53	112726388/0	1	Screw	Vite	Vis	Schraube	
54	112290800/0	1	Hexagonal Nut	Dado	Ecrou	Mutter	
55	112788512/0	2	Screw	Vite	Vis	Schraube	
59	114360717/0	1	Label	Etichetta	Etiquette	Etikett	
61	118736111/0	1	Starter Relay	Relé Avviamento	Relais D'Allumage	Anlassrelais	
62	112791011/0	2	Screw	Vite	Vis	Schraube	
63	112292102/0	2	Nut	Dado	Ecrou	Mutter	
64	112360352/0	2	Nut	Dado	Ecrou	Mutter	
65	125065002/0	1	Cable	Cable	Cable	Cable	
66	118564861/1	1	Protection	Protezione	Protection	Schutz	

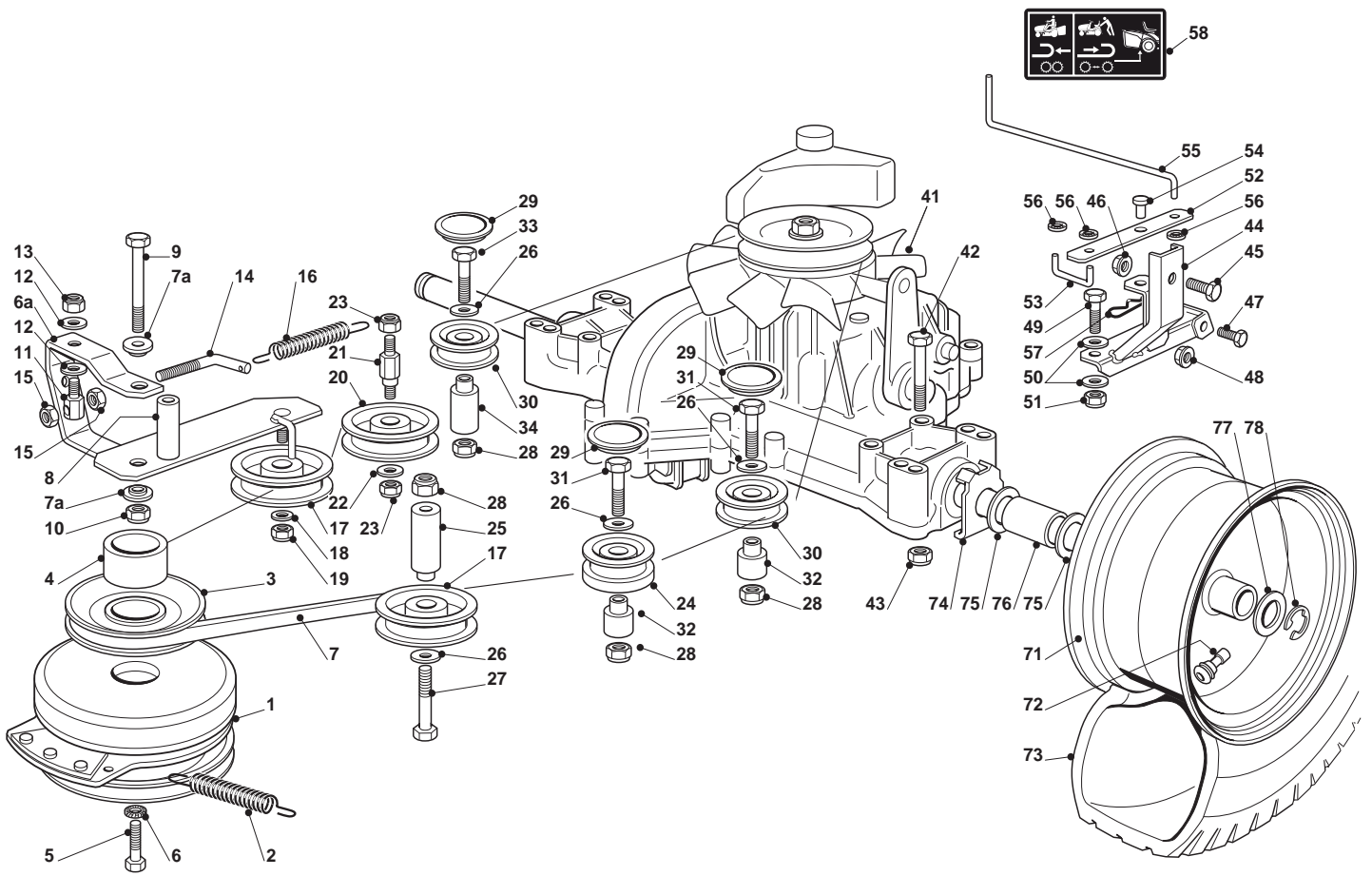


Engine - Honda GXV 660

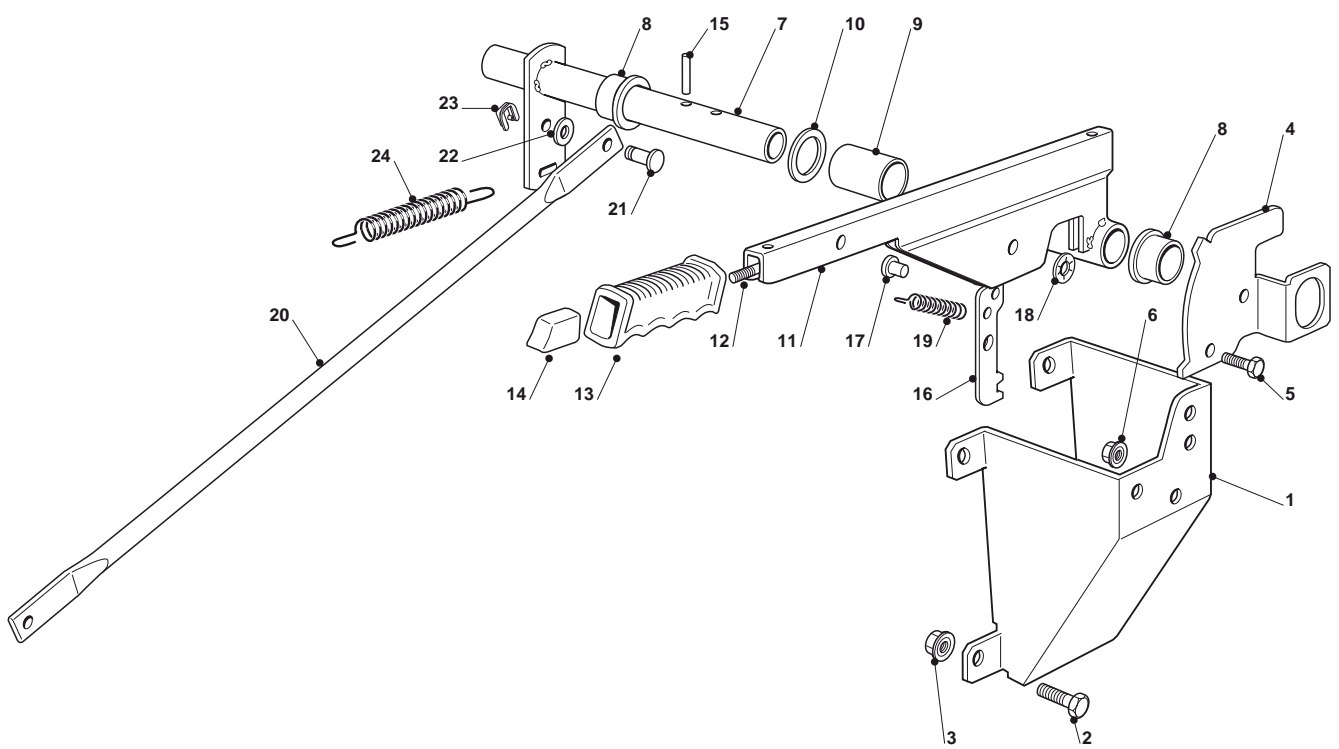
POS	CODE	Q.TY	DESCRIPTION	DESCRIZIONE	DESCRIPTION	BESCHREIBUNG	NOTES
1	325869057/0	1	Connecting Tube	Tubo Collegamento	Tube De Connexion	Verbindungsrohr	
2	118375051/1	2	Fair Led	Fascetta	Collier	Rohrschelle	
3	125430239/1	1	Spring	Molla	Ressort	Feder	
4	112790781/0	1	Screw	Vite	Vis	Schraube	
5	112292102/0	1	Nut	Dado	Ecrou	Mutter	
6	1134-5827-01	1	Oil Drain Assy	Oil Drain Assy	Oil Drain Assy	Oil Drain Assy	
9	125510028/1	4	Pin	Perno	Pivot	Bolzen	
10	112540260/0	1	Grower	Grower	Grower	Federring	
11	112154210/0	4	Self-Locking Nut	Dado Autobloccante	Écrou auto-bloquant	Selbstsichernde Mutter	
12	112691200/0	1	Screw	Vite	Vis	Schraube	
13	112523060/0	2	Washer	Rosetta	Rondelle	Scheibe	
14	112293200/0	1	Hexagonal Nut	Dado	Ecrou	Mutter	
21	182750009/0	1	Muffler	Silenziatore	Silencieux	Set Schalldämpfer	
22	112793301/0	2	Screw	Vite	Vis	Schraube	
23	112540260/0	2	Grower	Grower	Grower	Federring	
24	118738241/0	1	Right Discharged Connect.Tube	Right Discharged Connect.Tube	Right Discharged Connect.Tube	Right Discharged Connect.Tube	
25	118738242/0	1	Exhaust Connection	Raccordo Scarico	Connexion Echappement	Auspuffanschluss	
26	112293201/0	4	Nut	Dado	Ecrou	Mutter	
31	382598043/1	1	Guard	Protezione	Protection	Schutz	
32	112791011/0	2	Screw	Vite	Vis	Schraube	
33	112292102/0	2	Nut	Dado	Ecrou	Mutter	
41	325735125/2	1	Tank	Serbatoio	Réservoir à carburant	Treibstofftank	
42	325795003/0	1	Fuel Cap	Tappo Miscela	Bouhcon Mélange	Deckel Treibstoff	
43	112788910/0	2	Screw	Vite	Vis	Schraube	
44	112500092/0	2	Rivet	Rivetto	Rivet	Niet	
45	125290002/0	1	Fuel Level Indicator	Indicatore Livello	Indicateur Niveau	Kraftstoffmesser	
46	325600086/0	1	Guard	Protezione	Protection	Schutz	
51	182000220/0	1	Accelerator	Acceleratore	Accelérateur	Gas Zug	
52	325592000/0	1	Knob	Manopola	Poignee	Knopf	
53	112726388/0	1	Screw	Vite	Vis	Schraube	
54	112290800/0	1	Hexagonal Nut	Dado	Ecrou	Mutter	
55	125943012/0	2	Screw	Vite	Vis	Schraube	
58	125090007/0	1	Choke Control	Comando Starter	Commande Starter	Starter Betaetigung	
59	114360716/0	1	Label	Etichetta	Etiquette	Etikett	
61	133567000/0	1	Relay	Relay	Relay	Relay	
62	112791500/0	2	Screw	Vite	Vis	Schraube	
63	112521330/0	2	Washer	Rosetta	Rondelle	Scheibe	
64	112521330/0	2	Washer	Rosetta	Rondelle	Scheibe	
65	112582100/0	2	Grower	Grower	Grower	Federring	
66	112292100/0	2	Hexagonal Nut	Dado	Ecrou	Mutter	



Engine - Kohler							
POS	CODE	Q.TY	DESCRIPTION	DESCRIZIONE	DESCRIPTION	BESCHREIBUNG	NOTES
1	325869057/0	1	Connecting Tube	Tubo Collegamento	Tube De Connexion	Verbindungsrohr	
8	1134-5827-01	1	Oil Drain Assy	Oil Drain Assy	Oil Drain Assy	Oil Drain Assy	
10	112735108/1	4	Screw	Vite	Vis	Schraube	
11	112691115/0	1	Screw	Vite	Vis	Schraube	
12	112540260/0	1	Grower	Grower	Grower	Federring	
13	112154210/0	1	Nut	Dado	Ecrou	Nuss	
21	182750009/0	1	Muffler	Silenziatore	Silencieux	Schalldämpfer	
22	112793301/0	2	Screw	Vite	Vis	Schraube	
23	112540260/0	2	Grower	Grower	Grower	Federring	
24	118738234/0	1	Exhaust Right Tube	Tubo Scarico Dx	Tube Droit Pour Echapp.	Rechtes Verbindungsrohr	
25	118738235/0	1	Exhaust Left Tube	Tubo Scarico Sx	Tube Gauche Pour Echapp.	Linkes Verbindungsrohr	
26	112735530/0	4	Screw	Vite	Vis	Schraube	
27	112583500/0	4	Grower	Grower	Grower	Federring	
31	382598043/1	1	Guard	Protezione	Protection	Schutz	
32	112791011/0	2	Screw	Vite	Vis	Schraube	
33	112292102/0	2	Nut	Dado	Ecrou	Nuss	
41	325735125/2	1	Tank	Serbatoio	Reservoir	Tank	
42	325795003/0	1	Fuel Cap	Tappo Serbatoio	Bouchon Reservoir	Tank Einfüllstopfen	
43	112788910/0	2	Screw	Vite	Vis	Schraube	
44	112500092/0	2	Rivet	Rivetto	Rivet	Niet	
45	125290002/0	1	Fuel Level Indicator	Indicatore Livello	Indicateur Niveau	Kraftstoffmesser	
46	325600086/0	1	Guard	Protezione Benzina	Protection	Schutz	
51	182000213/0	1	Accelerator	Acceleratore	Gashebelgestange	Commande d'accélération	
52	325592000/0	1	Knob	Manopolina	Poignee	Knopf	
53	112726388/0	1	Screw	Vite	Vis	Schraube	
54	112290800/0	1	Nut	Dado	Ecrou	Nuss	
55	112788512/0	2	Screw	Vite	Vis	Schraube	
56	112581200/0	2	Grower	Grower	Grower	Federring	
57	112521310/0	2	Washer	Rondella	Rondelle	Scheibe	
58	125090005/0	1	Choke Control	Comando Starter	Commande Starter	Starter Betaetigung	
59	114360717/0	1	Label	Etichetta	Etiquette	Etikett	
61	118736111/0	1	Starter Relay	Relé Avviamento	Relais D'Allumage	Anlassrelais	
62	112791011/0	2	Screw	Vite	Vis	Schraube	
63	112292102/0	2	Nut	Dado	Ecrou	Nuss	
64	112360352/0	2	Nut	Dado	Ecrou	Nuss	
65	125065002/0	1	Cable	Cavo	Cable	Kabel	
66	118564861/1	1	Protection	Protezione	Protection	Schutz	
62	112791500/0	2	Screw	Vite	Vis	Schraube	
63	112521330/0	2	Washer	Rosetta	Rondelle	Scheibe	
64	112521330/0	2	Washer	Rosetta	Rondelle	Scheibe	
65	112582100/0	2	Grower	Grower	Grower	Federring	
66	112292100/0	2	Hexagonal Nut	Dado	Ecrou	Mutter	

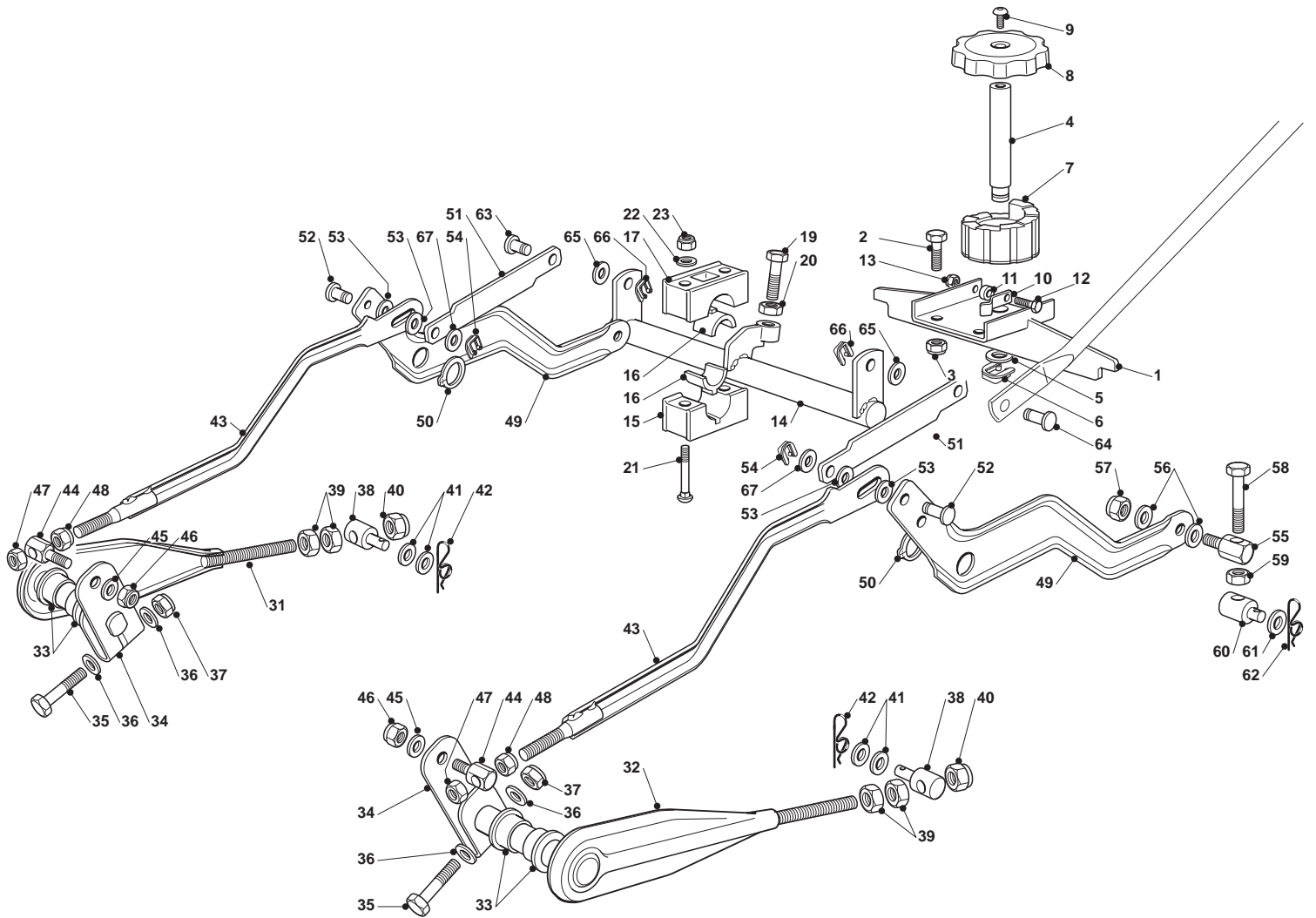


POS	CODE	Q.TY	DESCRIPTION	DESCRIZIONE	DESCRIPTION	BESCHREIBUNG	NOTES
1	118399062/0	1	Clutch Assy	Ass. Frizione	Friction	Set Kupplung	
2	125430210/1	1	Spring	Molla	Ressort	Feder	
3	125601580/0	1	Pulley	Puleggia	Poulie	Riemenscheibe	
4	125160021/0	1	Spacer	Distanziale	Entretoise	Distanzring	
5	112737320/0	1	Screw	Vite	Vis	Schraube	
6	112543000/0	1	Washer	Rondella	Rondelle	Scheibe	
6a	382318251/0	1	Lever	Leva	Levier	Hebel	
7	135062002/1	1	Belt	Cinghia	Courroie	Riemen	
7a	125038002/1	2	Bush	Bussola	Douille	Buchse	
8	125160054/0	1	Spacer	Distanziale	Entretoise	Distanzring	
9	112793905/0	1	Screw	Vite	Vis	Schraube	
10	112155000/0	1	Nut	Dado	Ecrou	Nuss	
11	125510040/1	1	Pin	Perno	Pivot	Bolzen	
12	325670011/0	2	Antifriction Washer	Rondella Antifrizione	Rondelle Antifriction	Antifriction Scheibe	
13	112155000/0	1	Nut	Dado	Ecrou	Nuss	
14	125840030/0	1	Tie Rod	Tirante	Tirant	Spannstange	
15	112293200/0	2	Nut	Dado	Ecrou	Nuss	
16	125430219/0	1	Spring	Molla	Ressort	Feder	
17	125601554/0	2	Pulley	Puleggia	Poulie	Riemenscheibe	
18	112523060/0	1	Washer	Rondella	Rondelle	Scheibe	
19	112155000/0	1	Nut	Dado	Ecrou	Nuss	
20	125601555/0	1	Pulley	Puleggia	Poulie	Riemenscheibe	
21	125510036/1	1	Pin	Perno	Pivot	Bolzen	
22	112523060/0	1	Washer	Rondella	Rondelle	Scheibe	
23	112155000/0	2	Nut	Dado	Ecrou	Nuss	
24	325601584/1	1	Pulley	Puleggia	Poulie	Riemenscheibe	
25	125160060/0	1	Spacer	Distanziale	Entretoise	Distanzring	
26	112523060/0	4	Washer	Rondella	Rondelle	Scheibe	
27	112691115/0	2	Screw	Vite	Vis	Schraube	
28	112155000/0	4	Nut	Dado	Ecrou	Nuss	
29	125109521/1	3	Cover	Copertura	Couvre Roues	Radenkappe	
30	325601570/1	2	Pulley	Puleggia	Poulie	Riemenscheibe	
31	112691115/0	2	Screw	Vite	Vis	Schraube	
32	125160030/2	2	Left Spacer	Distanziale Sinistro	Entretoise Gauche	Linker Entfernungsstück	
33	112691400/0	1	Screw	Vite	Vis	Schraube	
34	125160024/2	1	Right Spacer	Distanziale Destro	Entretoise Droit	Rechter Entfernungsstück	
41	118400950/1	1	Rear Axle	Asse Posteriore	Axe Arriere	Hinterachse	
42	112691800/0	4	Screw	Vite	Vis	Schraube	
43	112154210/0	4	Nut	Dado	Ecrou	Nuss	
44	382785175/0	1	Support	Supporto	Support	Halter	
45	112793102/0	1	Screw	Vite	Vis	Schraube	
46	112293201/0	1	Nut	Dado	Ecrou	Nuss	
47	112792611/0	1	Screw	Vite	Vis	Schraube	
48	112293201/0	1	Nut	Dado	Ecrou	Nuss	
49	112691115/0	1	Screw	Vite	Vis	Schraube	
50	112521350/0	2	Washer	Rondella	Rondelle	Scheibe	
51	112155000/0	1	Nut	Dado	Ecrou	Nuss	
52	325547229/0	1	Lever	Leva	Levier	Hebel	
53	125580031/0	1	Rod	Asta	Tige	Stange	
54	127510111/0	1	Pin	Perno	Pivot	Bolzen	
55	125033079/0	1	Rod	Asta	Tige	Stange	
56	112604896/0	3	Crown Fastener	Fissatore A Corona	Fixateur A Couronne	Kronescheibe	
57	124487997/0	1	Cotter Pin	Copiglia	Goupille	Split	
58	114363429/0	1	Label	Etichetta	Etiquette	Etikett	
71	182000602/0	2	Rimm	Cerchio Ruota	Bandage Roue	Vorderrad Felger	
72	125950000/0	2	Valve	Valvola	Soupape	Ventil	
73	125590013/0	2	Tyre	Pneumatico	Pneu	Reifen	
74	325670025/0	2	Washer	Rondella	Rondelle	Scheibe	
75	112521410/0	4	Washer	Rondella	Rondelle	Scheibe	
76	125160023/0	2	Spacer	Distanziale	Entretoise	Distanzring	
77	125670005/1	2	Washer	Rondella	Rondelle	Scheibe	
78	112001010/0	2	Benzing Ring	Anello Benzing	Anneau Benzing	Ring Benzing	



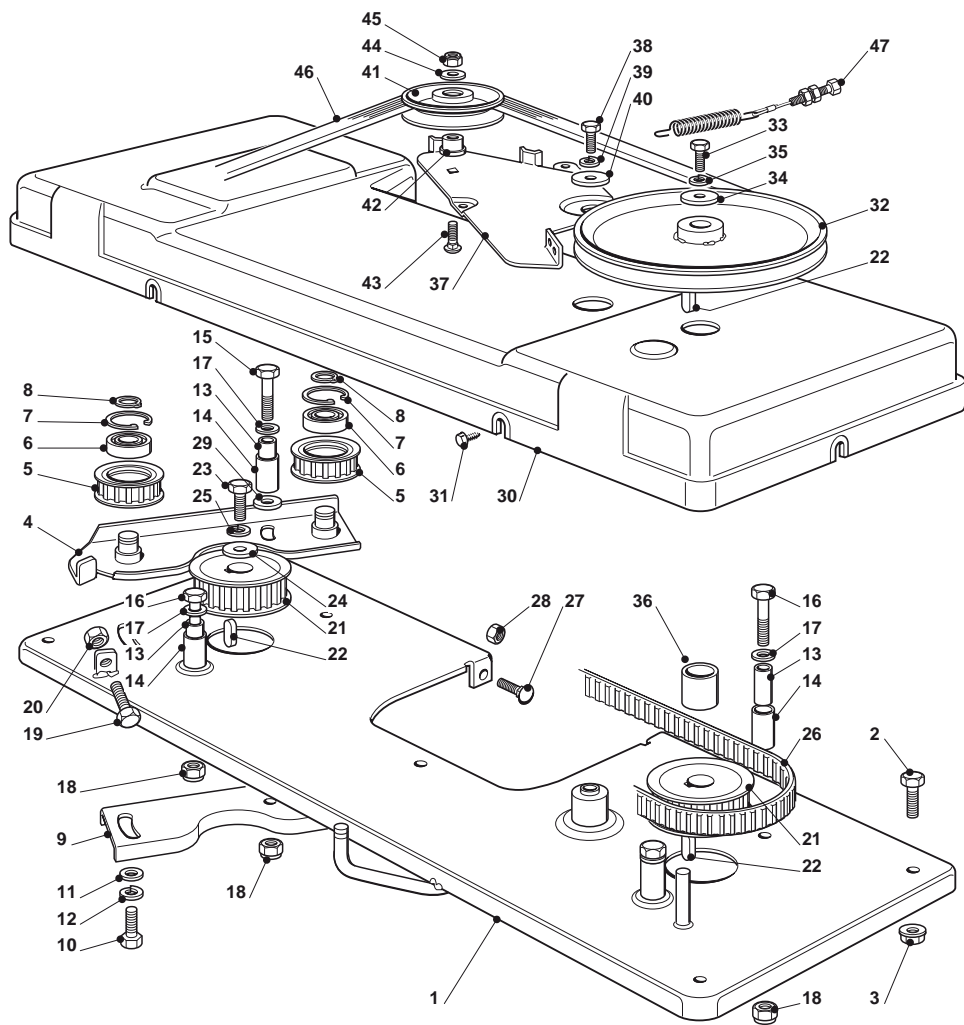
Cutting Plate Lifting

POS	CODE	Q.TY	DESCRIPTION	DESCRIZIONE	DESCRIPTION	BESCHREIBUNG	NOTES
1	325785137/1	1	Support	Supporto	Support	Halter	
2	112791011/0	4	Screw	Vite	Vis	Schraube	
3	112292102/0	4	Nut	Dado	Ecrou	Nuss	
4	325735521/0	1	Sector	Settore	Secteur	Sektor	
5	112793102/0	2	Screw	Vite	Vis	Schraube	
6	112293201/0	2	Nut	Dado	Ecrou	Nuss	
7	382000551/0	1	Axle	Asse Avanzamento	Axe	Achse	
8	122034523/0	2	Bush	Bussola	Douille	Buchse	
9	125160025/0	1	Spacer	Distanziale	Entretoise	Distanzring	
10	322672153/0	1	Antifriction Washer	Rondella Antifrizione	Rondelle Antifricition	Anti Friktionswäscher	
11	382318241/0	1	Lever	Leva	Levier	Hebel	
12	125033002/1	1	Rod	Asta	Tige	Stange	
13	125394504/1	1	Knob	Manopolina	Poignée	Griff	
14	125605000/1	1	Button	Pulsante	Poussoir	Druckknopf	
15	112620206/0	2	Pin	Perno	Pivot	Bolzen	
16	325470901/1	1	Dog	Nasello	Declic	Nase	
17	125510011/0	1	Pin	Perno	Pivot	Bolzen	
18	112604899/0	1	Crown Fastener	Fissatore A Corona	Fixateur A Couronne	Kronescheibe	
19	125430208/0	1	Spring	Molla	Ressort	Feder	
20	325033077/0	1	Connecting Rod	Asta Collegamento	Tige De Connexion	Verbindungsstab	
21	125510053/2	1	Pin	Perno	Pivot	Bolzen	
22	325670011/0	1	Antifriction Washer	Rondella Antifrizione	Rondelle Antifricition	Anti Friktionswäscher	
23	112436050/0	7	Cup Spring	Piastrina	Plaquette	Plättchen	
24	125430218/1	1	Spring	Molla	Ressort	Feder	

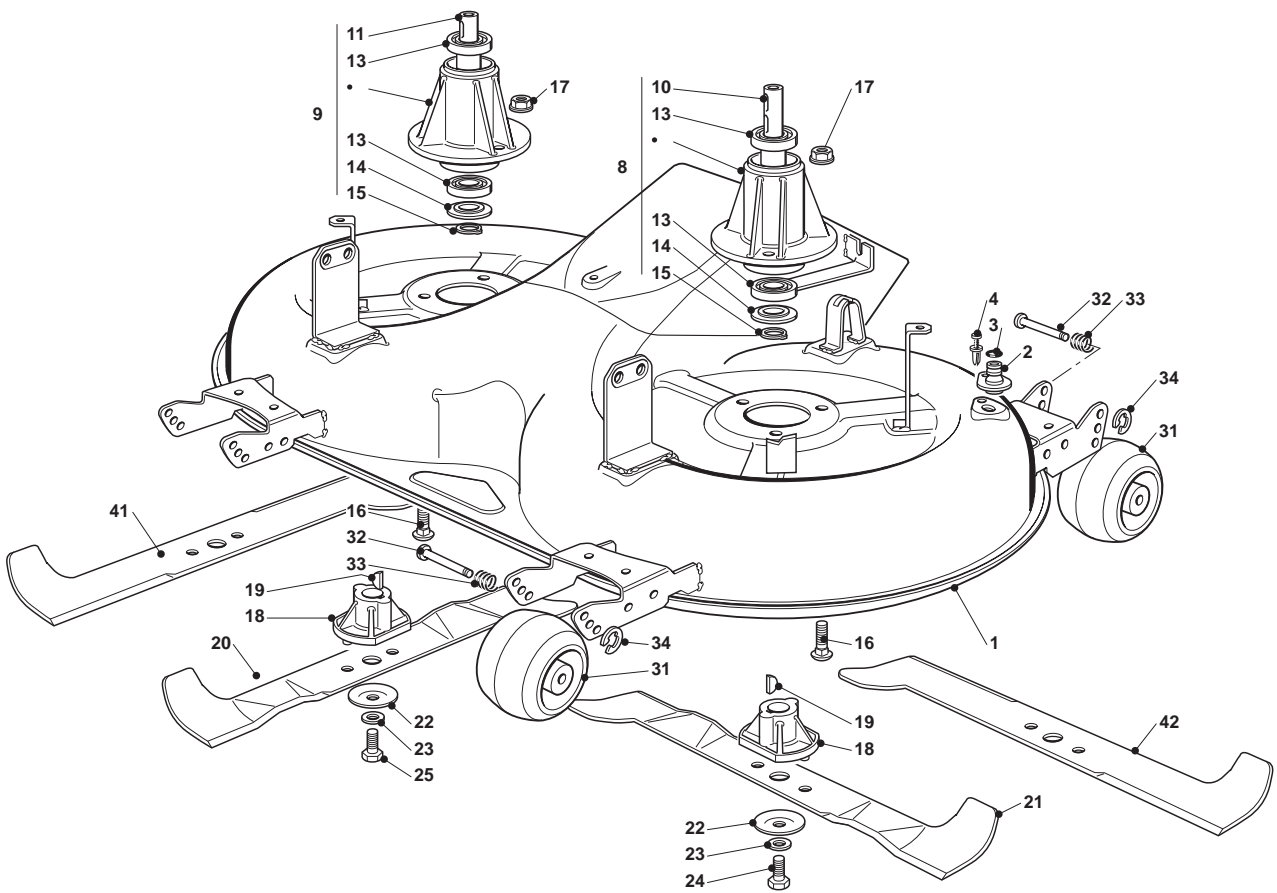


Cutting Plate Lifting

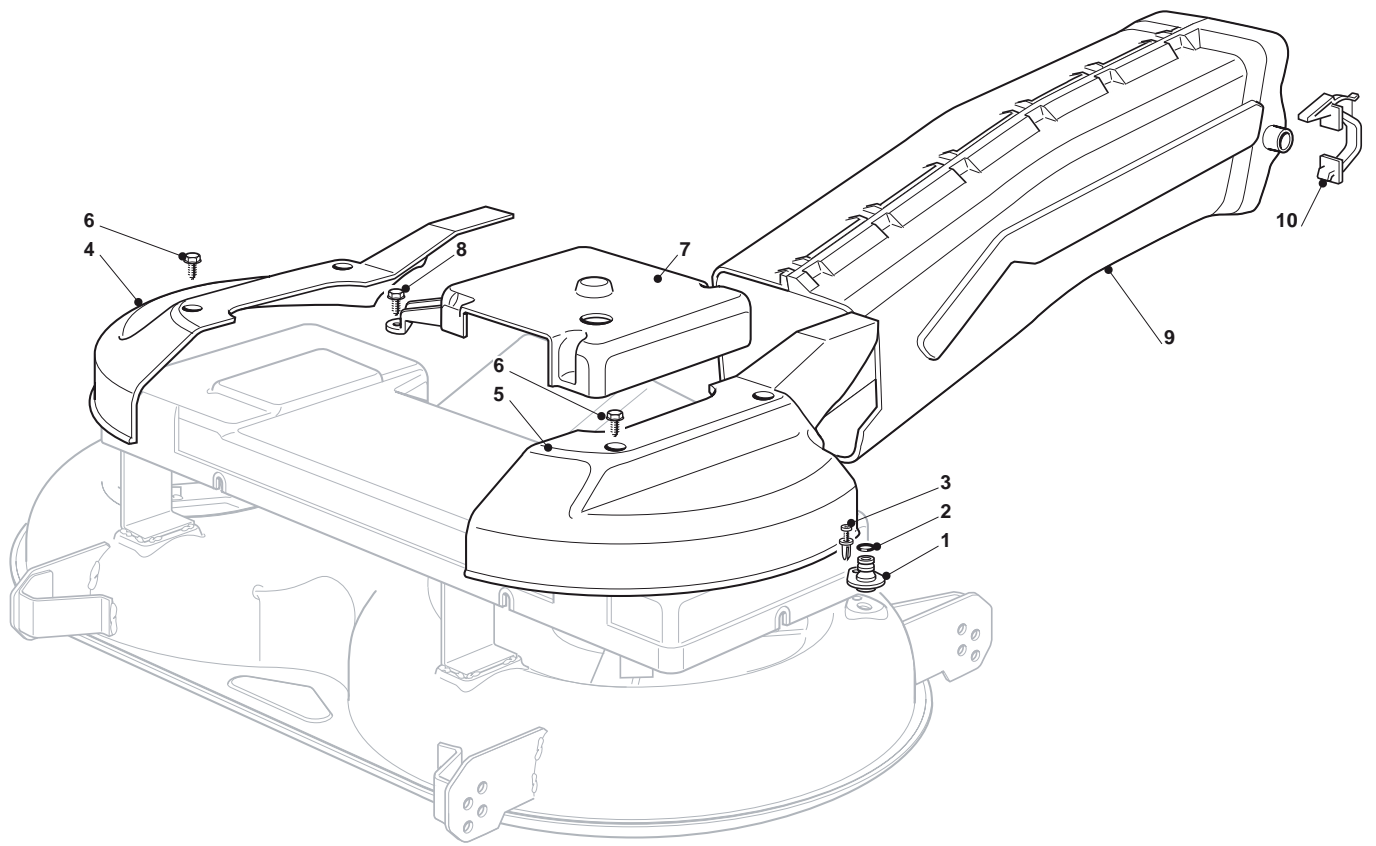
POS	CODE	Q.TY	DESCRIPTION	DESCRIZIONE	DESCRIPTION	BESCHREIBUNG	NOTES
1	382785181/1	1	Bracket	Staffa	Etrier	Bride	
2	112818690/0	2	Screw	Vite	Vis	Schraube	
3	112293201/0	2	Nut	Dado	Ecrou	Nuss	
4	125520009/0	1	Axle	Asse Avanzamento	Axe	Achse	
5	322672151/0	1	Antifriction Washer	Rondella Antifrizione	Rondelle Antifricition	Anti Friktionswäscher	
6	112436030/0	1	Plate	Piastra	Plaque	Platte	
7	325060037/0	1	Cam	Camma	Came	Nocken	
8	325394530/0	1	Knob	Manopolina	Poignée	Griff	
9	112760600/0	1	Screw	Vite	Vis	Schraube	
10	325430267/0	1	Spring	Molla	Ressort	Feder	
11	122170600/0	1	Spacer	Distanziale	Entretoise	Distanzring	
12	112789195/0	1	Screw	Vite	Vis	Schraube	
13	112154320/0	1	Nut	Dado	Ecrou	Nuss	
14	382000615/0	1	Axle	Asse Avanzamento	Axe	Achse	
15	325785355/0	2	Support	Supporto	Support	Halter	
16	325034003/0	4	Brass	Bronzina	Coussinet	Büchse	
17	325785354/0	2	Support	Supporto	Support	Halter	
19	125943005/0	1	Screw	Vite	Vis	Schraube	
20	112295200/0	1	Nut	Dado	Ecrou	Nuss	
21	112815271/0	4	Screw	Vite	Vis	Schraube	
22	112523040/0	4	Washer	Rondella	Rondelle	Scheibe	
23	112154510/0	4	Nut	Dado	Ecrou	Nuss	
31	382318159/0	1	Front Right Fulcrum Lever	Front Right Fulcrum Lever	Front Right Fulcrum Lever	Front Right Fulcrum Lever	
32	382318161/0	1	Lever	Leva	Levier	Hebel	
33	125040605/0	4	Bush	Bussola	Douille	Buchse	
34	325318161/1	2	Lever	Leva	Levier	Hebel	
35	112691700/0	2	Screw	Vite	Vis	Schraube	
36	112521350/0	4	Washer	Rondella	Rondelle	Scheibe	
37	112155000/0	2	Nut	Dado	Ecrou	Nuss	
38	125510069/1	2	Pin	Perno	Pivot	Bolzen	
39	112295200/0	4	Nut	Dado	Ecrou	Nuss	
40	112156602/0	2	Nut	Dado	Ecrou	Nuss	
41	325670008/1	4	Washer	Rondella	Rondelle	Scheibe	
42	125110800/0	2	Cotter Pin	Copiglia	Goupille	Split	
43	382000477/3	2	Connecting Rod Ass.Y	Asta Collegamento	Tige De Connexion	Verbindungsstab	
44	125510055/1	2	Pin	Perno	Pivot	Bolzen	
45	112521350/0	2	Washer	Rondella	Rondelle	Scheibe	
46	112155000/0	2	Nut	Dado	Ecrou	Nuss	
47	112155000/0	2	Nut	Dado	Ecrou	Nuss	
48	112293200/0	2	Nut	Dado	Ecrou	Nuss	
49	325318153/2	2	Rear Lever	Leva Posteriore	Levier Arriere	Hinterhebel	
50	112609255/0	2	Seeger	Seeger	Seeger	Seeger	
51	325318223/0	2	Gearshift	Leva	Levier	Hebel	
52	125510048/1	2	Pin	Perno	Pivot	Bolzen	
53	325670011/0	4	Antifriction Washer	Antifriction Washer	Antifricition Scheibe	Rondella Antifrizione	
54	112436050/0	2	Plate	Piastra	Plaque	Platte	
55	125510056/1	2	Pin	Perno	Pivot	Bolzen	
56	325670008/1	4	Washer	Rondella	Rondelle	Scheibe	
57	112156602/0	2	Nut	Dado	Ecrou	Nuss	
58	112794985/0	2	Screw	Vite	Vis	Schraube	
59	112295200/0	2	Nut	Dado	Ecrou	Nuss	
60	125510070/1	2	Pin	Perno	Pivot	Bolzen	
61	112523090/0	2	Washer	Rondella	Rondelle	Scheibe	
62	125110800/0	2	Cotter Pin	Copiglia	Goupille	Split	
63	125510053/2	1	Pin	Perno	Pivot	Bolzen	
64	125510048/1	1	Pin	Perno	Pivot	Bolzen	
65	325670011/0	2	Antifriction Washer	Rondella Antifrizione	Rondelle Antifricition	Anti Friktionswäscher	
66	112436050/0	2	Plate	Piastra	Plaque	Platte	
67	112521350/0	2	Washer	Rondella	Rondelle	Scheibe	



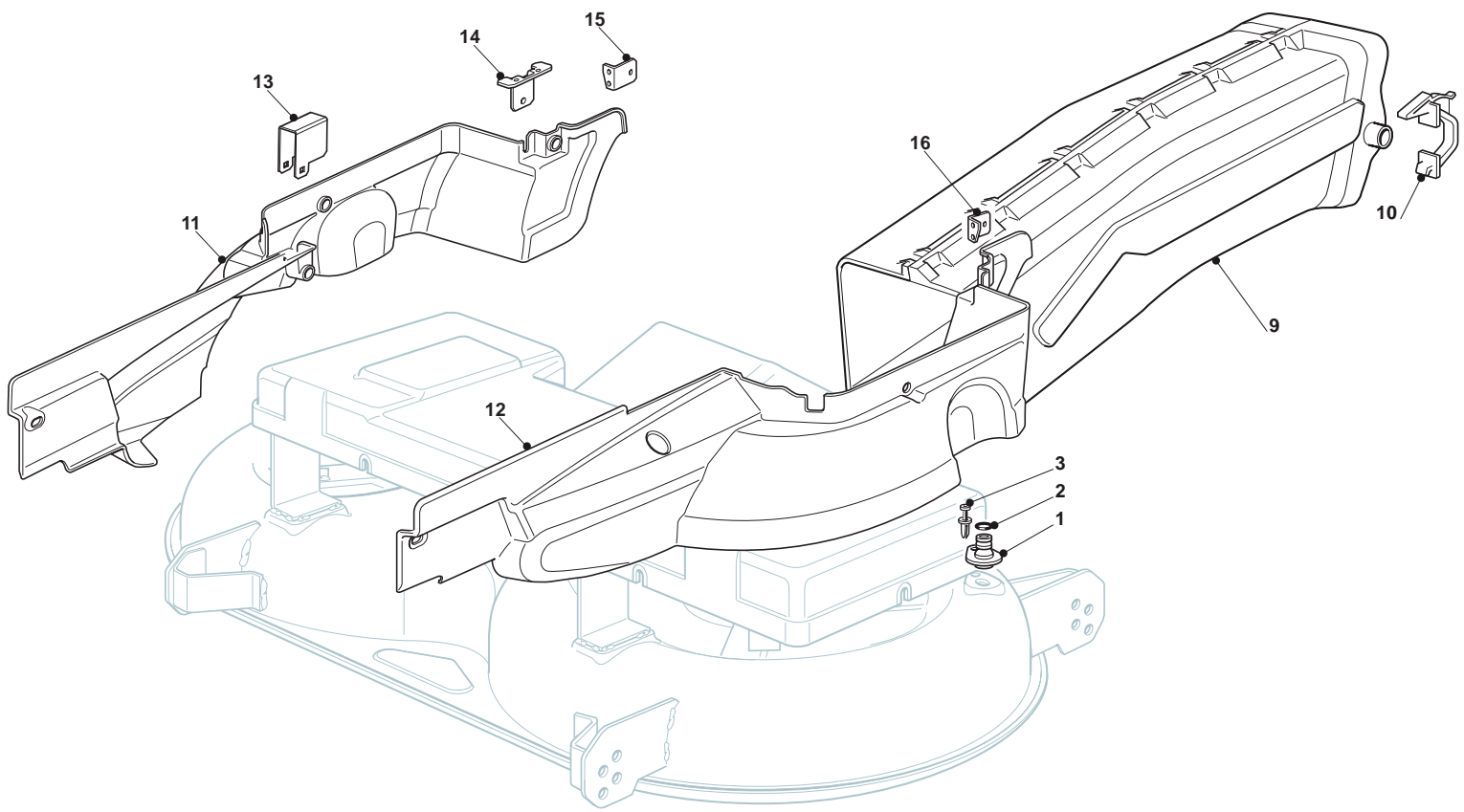
Baldes Engagement							
POS	CODE	Q.TY	DESCRIPTION	DESCRIZIONE	DESCRIPTION	BESCHREIBUNG	NOTES
1	382547031/1	1	Transmission Plate	Piastra Trasmissione	Plaque Transmission	Montageplatte	
2	112792611/0	4	Screw	Vite	Vis	Schraube	
3	112293201/0	4	Nut	Dado	Ecrou	Nuss	
4	382785084/1	1	Support	Supporto	Support	Halter	
5	125601561/0	2	Pulley	Puleggia	Poulie	Riemenscheibe	
6	119216048/0	2	Bearing	Cuscinetto	Roulement	Kugellager	
7	112610800/0	2	Snap Ring	Anello Elastico	Anneau Élastique	Elastischer Ring	
8	112609200/0	2	Seeger	Seeger	Seeger	Seeger	
9	325650037/0	1	Pulley Stiffening	Rinforzo Puleggia	Reinforcement Poulie	Verstaerkung Riemenscheibe	
10	112793102/0	2	Screw	Vite	Vis	Schraube	
11	112521350/0	2	Washer	Rondella	Rondelle	Scheibe	
12	112583500/0	2	Grower	Grower	Grower	Federring	
13	125160003/0	4	Spacer	Distanziale	Entretoise	Distanzring	
14	125038000/0	4	Bush	Bussola	Douille	Buchse	
15	112691700/0	1	Screw	Vite	Vis	Schraube	
16	112691200/0	3	Screw	Vite	Vis	Schraube	
17	112521350/0	4	Washer	Rondella	Rondelle	Scheibe	
18	112155000/0	4	Nut	Dado	Ecrou	Nuss	
19	112793900/0	1	Screw	Vite	Vis	Schraube	
20	112293200/0	1	Nut	Dado	Ecrou	Nuss	
21	125601562/0	2	Pulley	Puleggia	Poulie	Riemenscheibe	
22	112139480/0	3	Feather	Linguetta	Clavette	Keil	
23	112793102/0	1	Screw	Vite	Vis	Schraube	
24	125670007/0	1	Washer	Rondella	Rondelle	Scheibe	
25	112583500/0	1	Grower	Grower	Grower	Federring	
26	135065601/0	1	Belt	Cinghia	Courroie	Riemen	
27	112815200/0	3	Screw	Vite	Vis	Schraube	
28	112292102/0	3	Nut	Dado	Ecrou	Nuss	
29	112523060/0	1	Washer	Rondella	Rondelle	Scheibe	
30	125060101/2	1	Protection	Protezione	Protection	Schutz	
31	112735110/0	6	Screw	Vite	Vis	Schraube	
32	125601549/0	1	Pulley	Puleggia	Poulie	Riemenscheibe	
33	112793102/0	1	Screw	Vite	Vis	Schraube	
34	125670007/0	1	Washer	Rondella	Rondelle	Scheibe	
35	112583500/0	1	Grower	Grower	Grower	Federring	
36	125160002/0	1	Spacer	Distanziale	Entretoise	Distanzring	
37	325318119/0	1	Lever	Leva	Levier	Hebel	
38	112793102/0	1	Screw	Vite	Vis	Schraube	
39	112583500/0	1	Grower	Grower	Grower	Federring	
40	112523070/0	1	Washer	Rondella	Rondelle	Scheibe	
41	325601599/0	1	Pulley	Puleggia	Poulie	Riemenscheibe	
42	125160079/0	1	Spacer	Distanziale	Entretoise	Distanzring	
43	112818900/0	1	Screw	Vite	Vis	Schraube	
44	112523060/0	1	Washer	Rondella	Rondelle	Scheibe	
45	112155000/0	1	Nut	Dado	Ecrou	Nuss	
46	135062812/0	1	Belt	Cinghia	Courroie	Riemen	
47	182004609/0	1	Blade Engagment Wire	Filo Innesto Lame	Fil Embrayage Lame	Kabel	



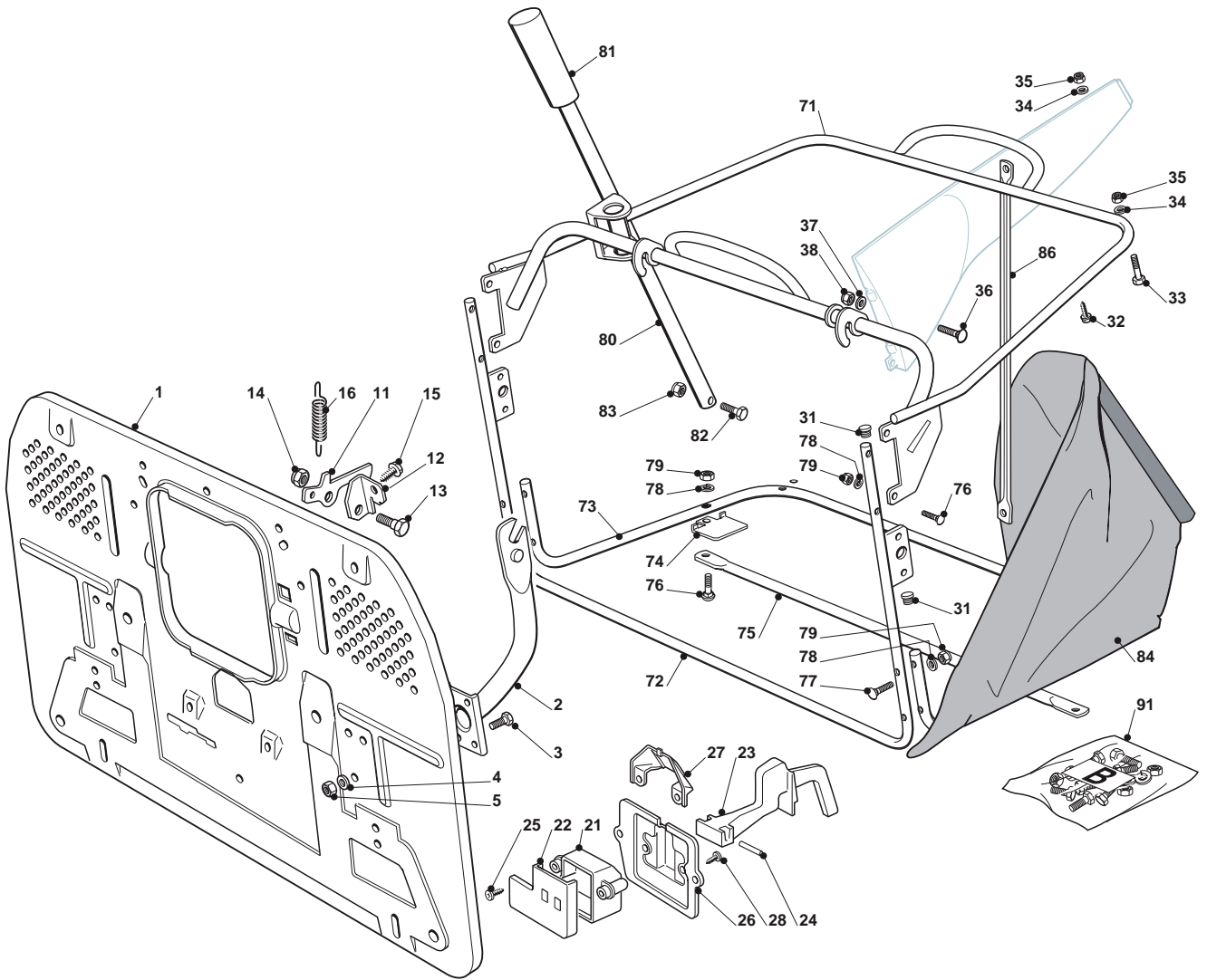
Cutting Plate							
POS	CODE	Q.TY	DESCRIPTION	DESCRIZIONE	DESCRIPTION	BESCHREIBUNG	NOTES
1	382564213/0	1	Cutting Plate Black	Piatto Di Taglio Nero	Plateau De Coupe Noir	Schneidwerkzeug Schwarz	
1	382564214/0	1	Cutting Plate Red	Piatto Di Taglio Rosso	Plateau De Coupe Rouge	Schneidwerkzeug Rot	
1	382564215/0	1	Cutting Plate Yellow	Piatto Di Taglio Giallo	Plateau De Coupe Jaune	Schneidwerkzeug Gelb	
2	125033060/0	2	Washing Cutting Deck Connection	Attacco Lavaggio Piatto	Attaque Lavage Plateau De Coupe	Wasseranschluß Mähwerk	
3	119035000/0	2	O Ring	O Ring	O Ring	O Ring	
4	112500030/0	2	Rivet	Rivetto	Rivet	Niet	
8	382207200/1	1	Flange Assy	Ass. Flangia	Ensamble Bride	Flansch, Komplett	
9	382207201/2	1	Support Shaft Tc	Flangia Albero Secondario	Flange Arbre Lame Secondaire	Messerwellw Kpl	
10	125020800/1	1	Main Blade Shaft	Albero Lama Principale	Arbre Lame Principal	Haupt Messerwelle	
11	125020801/2	1	Secondary Blade Shaft	Albero Lama Secondario	Arbre Lame Secondaire	Zweite Messerwelle	
13	119216032/0	4	Bearing	Bearing	Bearing	Bearing	
14	325160501/0	2	Dust Cover Disc	Disco Parapolvere	Protege-Poussiere	Staubschuttscheibe	
15	112609260/0	2	Seeger	Seeger	Seeger	Seeger	
16	112818700/0	6	Screw	Vite	Vis	Schraube	
17	112154210/0	6	Nut	Dado	Ecrou	Nuss	
18	125463200/0	2	Blade Hub	Mozzo Coltello	Moyeu Lame	Messerhalter	
19	112139100/0	2	Key	Chiave	Clef	Schlüssel	
20	182004350/0	1	Right Mulching Blade	Coltello Destro Mulching	Lame Droit Mulching	Rechter Messer Mulching	
21	182004349/0	1	Left Blade Mulching	Coltello Sinistro Mulching	Lame Gauche Mulching	Linker Messer Mulching	
22	122160400/0	2	Elastic Washer	Disco Elastico	Disque Elastique	Federscheibe	
23	112523080/0	2	Washer	Rondella	Rondelle	Scheibe	
24	112735694/0	1	Screw	Vite	Vis	Schraube	
25	112735695/1	1	Screw	Vite	Vis	Schraube	
31	182700004/0	4	Anti Scalp Wheel Ø 100	Ruotino Antiscalpo Ø 100	Roulettes Antiscalp Ø 100	Skalpierschutzrädchen Ø 100	
32	125510121/0	4	Pin	Perno	Pivot	Bolzen	
33	122450115/0	4	Spring	Molla	Ressort	Feder	
34	112000930/0	4	Benzing Ring	Anello Benzing	Anneau Benzing	Ring Benzing	
41	182004343/0	1	Right Blade	Coltello Destro	Lame Droit	Rechter Messer	
42	182004342/0	1	Left Blade, Winged	Coltello Sinistro, Alettato	Lame Gauche, Aillettee	Linker Messer, Flügel	



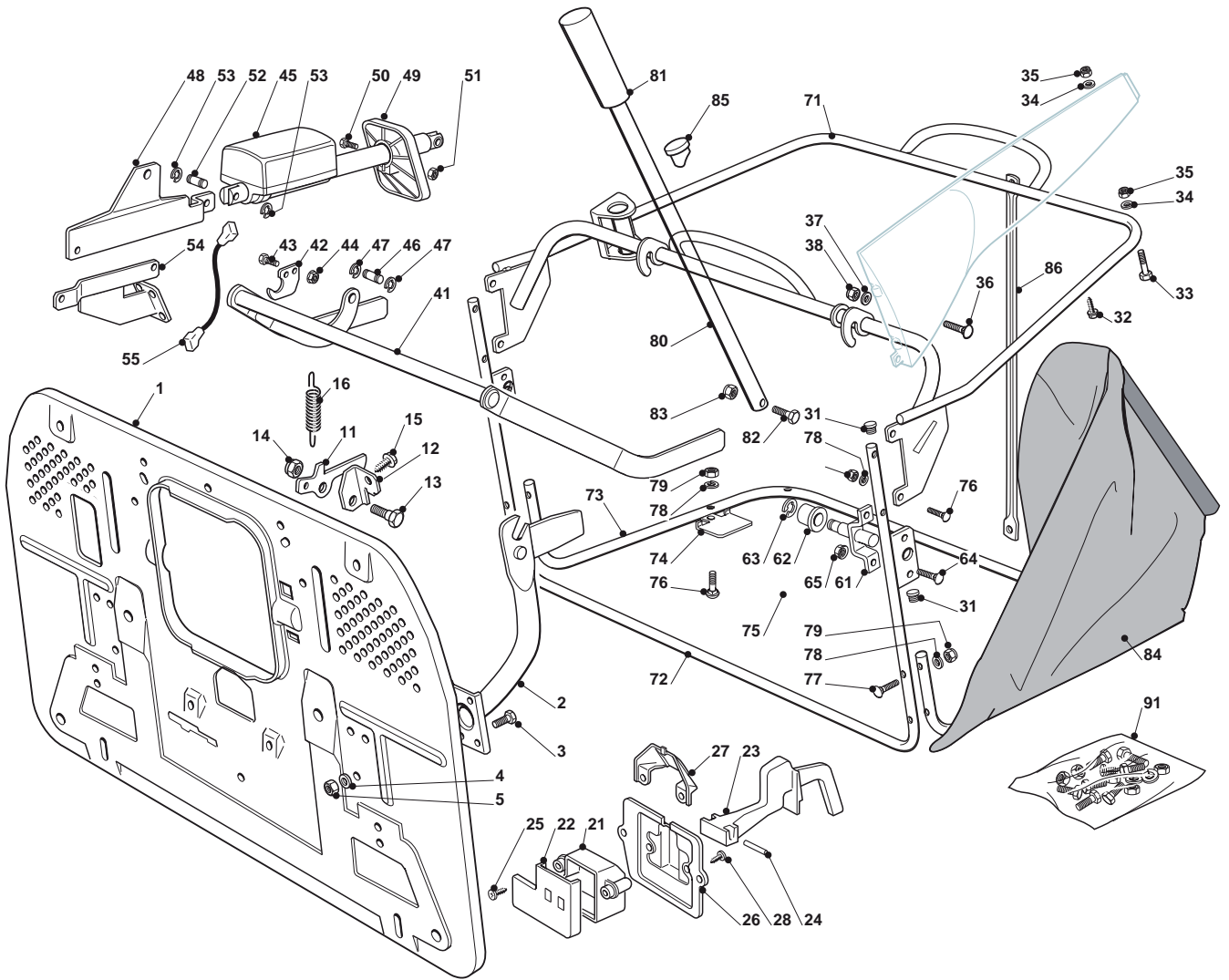
Guards And Conveyor							
POS	CODE	Q.TY	DESCRIPTION	DESCRIZIONE	DESCRIPTION	BESCHREIBUNG	NOTES
1	125033060/0	2	Washing Cutting Deck Connection	Attacco Lavaggio Piatto	Attaque Lavage Plateau De Coupe	Wasseranschluß Mähwerk	
2	119035000/0	2	O Ring	O Ring	O Ring	O Ring	
3	112500030/0	2	Rivet	Rivetto	Rivet	Niet	
4	125060104/0	1	Right Belt Protection Carter	Carter Protezione Cinghia Dx	Carter Protection Courroie Droit	Schutz Rechte, Riemen	Grey
4	325060113/0	1	Right Belt Protection Carter	Carter Protezione Cinghia Dx	Carter Protection Courroie Droit	Schutz Rechte, Riemen	Black
5	125060105/0	1	Left Belt Protection Carter	Carter Protezione Cinghia Sx	Carter Protection Courroie Gauche	Schutz Linke, Riemen	Grey
5	325060114/0	1	Left Belt Protection Carter	Carter Protezione Cinghia Sx	Carter Protection Courroie Gauche	Schutz Linke, Riemen	Black
6	112735403/0	4	Screw	Vite	Vis	Schraube	
7	125600050/0	1	Protection	Protezione	Protection	Schutz	
8	112735403/0	3	Screw	Vite	Vis	Schraube	
9	382108019/0	1	Conveyor	Convogliatore	Convoyeur	Konveyor	
10	325774373/0	2	Clamp	Staffa	Etrier	Bride	



Guards And Conveyor (Cemagref)							
POS	CODE	Q.TY	DESCRIPTION	DESCRIZIONE	DESCRIPTION	BESCHREIBUNG	NOTES
1	125033060/0	2	Washing Cutting Deck Connection	Attacco Lavaggio Piatto	Attaque Lavage Plateau De Coupe	Wasseranschluß Mähwerk	
2	119035000/0	2	O Ring	O Ring	O Ring	O Ring	
3	112500030/0	2	Rivet	Rivetto	Rivet	Niet	
9	382108019/0	1	Conveyor	Convogliatore	Convoyeur	Konveyor	
10	325774373/0	2	Clamp	Staffa	Etrier	Bride	
11	325060152/0	1	Protection	Protezione	Protection	Schutz	
12	325060153/0	1	Protection	Protezione	Protection	Schutz	
13	325774267/0	2	Clamp	Staffa	Etrier	Bride	
14	325774423/0	2	Clamp	Staffa	Etrier	Bride	
15	325774425/0	1	Clamp	Staffa	Etrier	Bride	
16	325774421/0	1	Clamp	Staffa	Etrier	Bride	



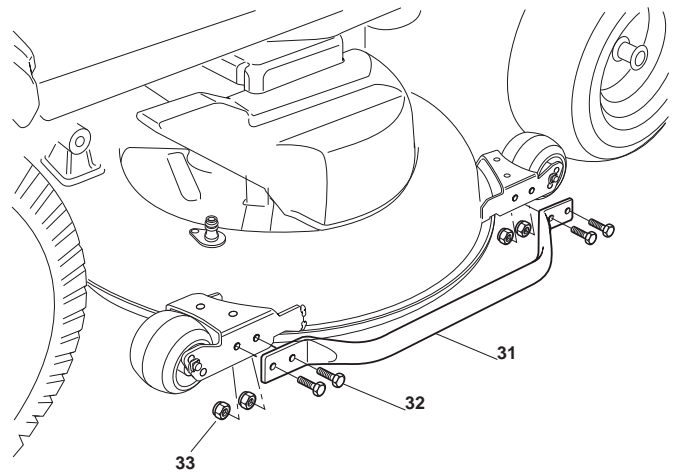
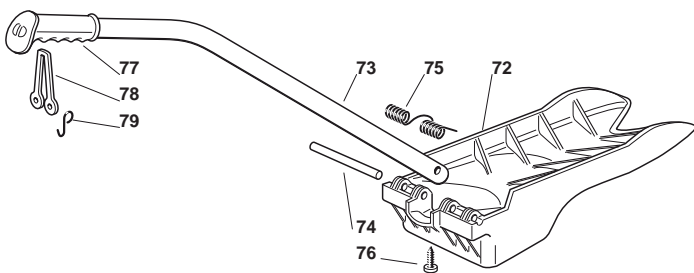
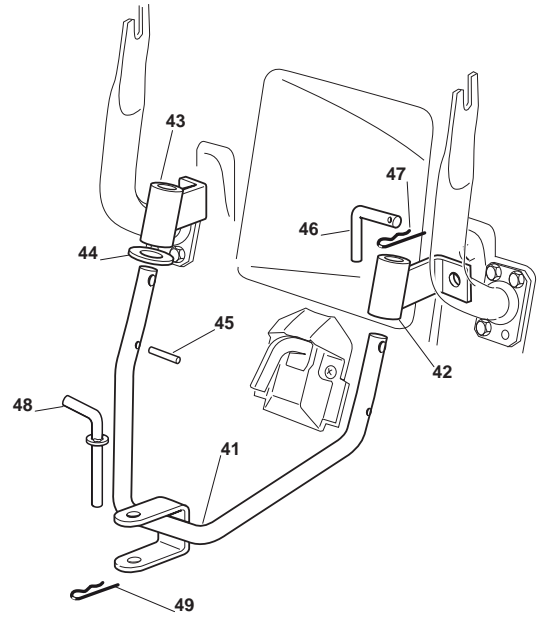
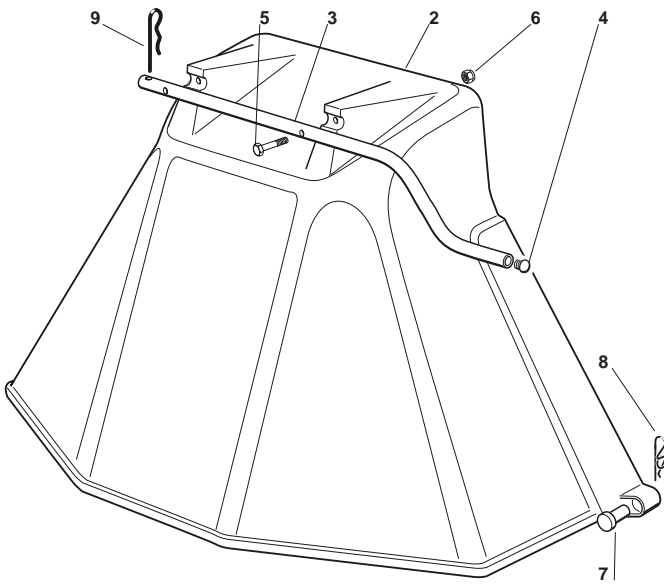
POS	CODE	Q.TY	DESCRIPTION	DESCRIZIONE	DESCRIPTION	BESCHREIBUNG	NOTES
1	382547051/0	1	Plate	Piastrina	Plaquette	Plättchen	
2	182774225/1	2	Support	Supporto	Support	Halter	
3	112793102/0	6	Screw	Vite	Vis	Schraube	
4	112523060/0	6	Washer	Rondella	Rondelle	Scheibe	
5	112293201/0	6	Nut	Dado	Ecrou	Nuss	
11	325774417/0	1	Clamp	Staffa	Etrier	Bride	
12	325755031/1	1	Bracket	Squadretta	Equerre-Support	Winkel	
13	125510080/1	1	Pin	Perno	Pivot	Bolzen	
14	112292102/0	1	Nut	Dado	Ecrou	Nuss	
15	112735122/0	1	Screw	Vite	Vis	Schraube	
16	127430579/1	1	Clutch Spring	Molla Frizione	Ressort	Kupplungsfeder	
21	125600041/0	1	Grassc.Full Micro Protection Tcj-F	Grassc.Full Micro Protection Tcj-F	Grassc.Full Micro Protection Tcj-F	Grassc.Full Micro Protection Tcj-F	
22	125600042/0	1	Grasscatcher Micro Prot Cover	Grasscatcher Micro Prot Cover			
23	125318124/0	1	Full Grassc. Microswtich Cover	Leva Comando Micro	Levier Microint.	Kontaktgeber Vollkorb	
24	112400030/0	1	Pin	Perno	Pivot	Bolzen	
25	112728510/0	1	Screw	Vite	Vis	Schraube	
26	325785272/0	1	Micro Protection	Micro Protection	Micro Protection	Micro Protection	
27	125600048/0	1	Protection Cover	Coperchio Protezione	Couvercle Protection	Schutzdeckel	
28	112728450/0	2	Screw	Vite	Vis	Schraube	
31	118566110/0	4	Cap	Tappo	Bouchon	Stopfen	
32	112735410/0	4	Screw	Vite	Vis	Schraube	
33	112689500/0	2	Screw	Vite	Vis	Schraube	
34	112521330/0	4	Washer	Rondella	Rondelle	Scheibe	
35	112154510/0	4	Nut	Dado	Ecrou	Nuss	
36	112815220/0	2	Screw	Vite	Vis	Schraube	
37	112521330/0	2	Washer	Rondella	Rondelle	Scheibe	
38	112154510/0	2	Nut	Dado	Ecrou	Nuss	
71	382800123/1	1	Upper Frame	Telaio Superiore	Chassis Superieur	Obererrahmen	
72	382800091/1	1	Front Frame	Telaio Bocca Sacco	Chassis Avant	Vorderrahmen	
73	325800031/0	1	Lower Frame	Telaio Inferiore	Chassis Inferieur	Unterrahmen	
74	325547131/0	1	Plate	Plate	Plate	Plate	
75	382650043/0	1	Lower Stiffening	Rinforzo Inferiore	Renforcement Inferieure	Obere Verstaerkung	
76	112815220/0	6	Screw	Vite	Vis	Schraube	
77	112815245/0	4	Screw	Vite	Vis	Schraube	
78	112521330/0	10	Washer	Rondella	Rondelle	Scheibe	
79	112154510/0	10	Nut	Dado	Ecrou	Nuss	
80	125869029/1	1	Lifting Tube	Lifting Tube	Lifting Tube	Lifting Tube	
81	125394508/0	1	Knob	Manopola	Poingee	Knopf	
82	112674550/0	1	Screw	Vite	Vis	Schraube	
83	112154510/0	1	Nut	Dado	Ecrou	Nuss	
84	182105945/0	1	Grasscatcher	Confezione Sacco	Bac	Sack	
86	325650159/0	1	Rear Stiffening	Rinforzo Posteriore	Rénforcement Arriere	Hinterverstaerkung	
91	382180116/0	1	Screw	Vite	Vis	Schraube	



POS	CODE	Q.TY	DESCRIPTION	DESCRIZIONE	DESCRIPTION	BESCHREIBUNG	NOTES
1	382547053/0	1	Plate	Piastra	Plaque	Platte	
2	382774245/0	2	Support	Supporto	Support	Halter	
3	112793102/0	6	Screw	Vite	Vis	Schraube	
4	112523060/0	6	Washer	Rosetta	Rondelle	Scheibe	
5	112293201/0	6	Nut	Dado	Ecrou	Mutter	
11	325774417/0	1	Clamp	Staffa	Etrier	Bride	
12	325755031/1	1	Bracket	Staffa	Etrier	Bride	
13	125510080/1	1	Pin	Perno	Pivot	Bolzen	
14	112292102/0	1	Nut	Dado	Ecrou	Mutter	
15	112735122/0	1	Screw	Vite	Vis	Schraube	
16	127430571/0	1	Spring	Molla	Ressort	Feder	
21	125600041/0	1	Micro Protection	Protezione Micro	Protection Micro	Schutz	
22	125600042/0	1	Micro Protection	Protezione Micro	Protection Micro	Schutz	
23	125318124/0	1	Full Grassc. Microswitch Cover	Leva Comando Micro	Levier Microint.	Kontaktgeber Vollkorb	
24	112400030/0	1	Pin	Perno	Pivot	Bolzen	
25	112728510/0	1	Elastic Washer	Disco Elastico	Disque Elastique	Federscheibe	
26	325785272/0	1	Micro Switch Bracket	Supporto Micro	Support Micro	Lenkkonsole	
27	125600048/0	1	Micro Protection	Protezione Micro	Protection Micro	Schutz	
28	112728450/0	2	Screw	Vite	Vis	Schraube	
31	118566110/0	4	Cap	Puntale	Bouchon	Pfropfen	
32	112735410/0	4	Screw	Vite	Vis	Schraube	
33	112689500/0	2	Screw	Vite	Vis	Schraube	
34	112521330/0	4	Washer	Rosetta	Rondelle	Scheibe	
35	112154510/0	4	Nut	Dado	Ecrou	Mutter	
36	112815220/0	2	Screw	Vite	Vis	Schraube	
37	112521330/0	2	Washer	Rosetta	Rondelle	Scheibe	
38	112154510/0	2	Nut	Dado	Ecrou	Mutter	
41	382000507/0	1	Axle	Asse Avanzamento	Axe	Achse	
42	325774317/0	2	Bracket	Staffa	Support	Schelle	
43	112815210/0	4	Screw	Vite	Vis	Schraube	
44	112154510/0	4	Nut	Dado	Ecrou	Mutter	
45	118001000/0	1	Actuator	Attuator	Actuator	Actuator	
46	125510083/0	1	Pin	Perno	Pivot	Bolzen	
47	112000955/0	2	Benzing Ring	Anello Benzing	Anneau Benzing	Ring Benzing	
48	325785197/0	1	Actuator Support Tc	Supporto Adattatore	Actuator Support Tc	Aktuator Halter	
49	325600060/0	1	Protection	Protezione	Protection	Schutz	
50	112727795/0	1	Screw	Vite	Vis	Schraube	
51	112154330/0	1	Low Self-Locking Nut	Dado Autobloccante	Écrou auto-bloquant	Selbstsichernde Mutter	
52	125510083/0	1	Pin	Perno	Pivot	Bolzen	
53	112000955/0	2	Benzing Ring	Anello Benzing	Anneau Benzing	Ring Benzing	
54	382650209/0	1	Stiffening	Rinforzo	Renforcement	Verstaerkung	
55	125065030/0	1	Connecting Cable	Cavo Collegamento	Cable De Connexion	Verbindungskabel	
61	382785147/0	2	Support	Supporto	Support	Halter	
62	125690001/0	2	Roll	Rullino	Rouleau	Walze	
63	112000956/0	2	Ring (Benzing)	Anello (Benzing)	Anneau (Benzing)	Ring (Benzing)	
64	112818690/0	4	Screw	Vite	Vis	Schraube	
65	112293201/0	4	Nut	Dado	Ecrou	Mutter	
71	382800123/1	1	Upper Frame	Telaio Superiore	Chassis Superieur	Obererrahmen	
72	382800089/1	1	Front Frame	Front Frame	Front Frame	Front Frame	
73	325800031/0	1	Lower Frame	Telaio Inferiore	Chassis Inferieur	Unterrahmen	
74	325547131/0	1	Plate	Piastra	Plaque	Platte	
75	382650039/0	1	Lower Stiffening	Rinforzo Inferiore	Renforcement Inferieure	Obere Verstaerkung	
75	382650043/0	1	Lower Stiffening	Rinforzo Inferiore	Renforcement Inferieure	Obere Verstaerkung	
76	112815220/0	6	Screw	Vite	Vis	Schraube	
77	112815245/0	4	Screw	Vite	Vis	Schraube	
78	112521330/0	10	Washer	Rosetta	Rondelle	Scheibe	
79	112154510/0	10	Nut	Dado	Ecrou	Mutter	
80	125869029/1	1	Grasscatcher Lifting Tube	Tubo Sollevamento Piatto	Grasscatcher Lifting Tube	Grasscatcher Lifting Tube	
81	125394508/0	1	Knob	Manopola	Poignee	Knopf	
82	112674550/0	1	Screw	Vite	Vis	Schraube	
83	112154510/0	1	Nut	Dado	Ecrou	Mutter	
84	182105945/0	1	Grasscatcher	Confezione Sacco	Bac	Sack	
85	325120232/0	1	Cap	Tappo	Bouchon	Stopfen	
86	325650159/0	1	Rear Stiffening	Rinforzo Posteriore	Rénforcement Arriere	Hinterverstaerkung	
91	382180117/0	1	Screw	Vite	Vis	Schraube	

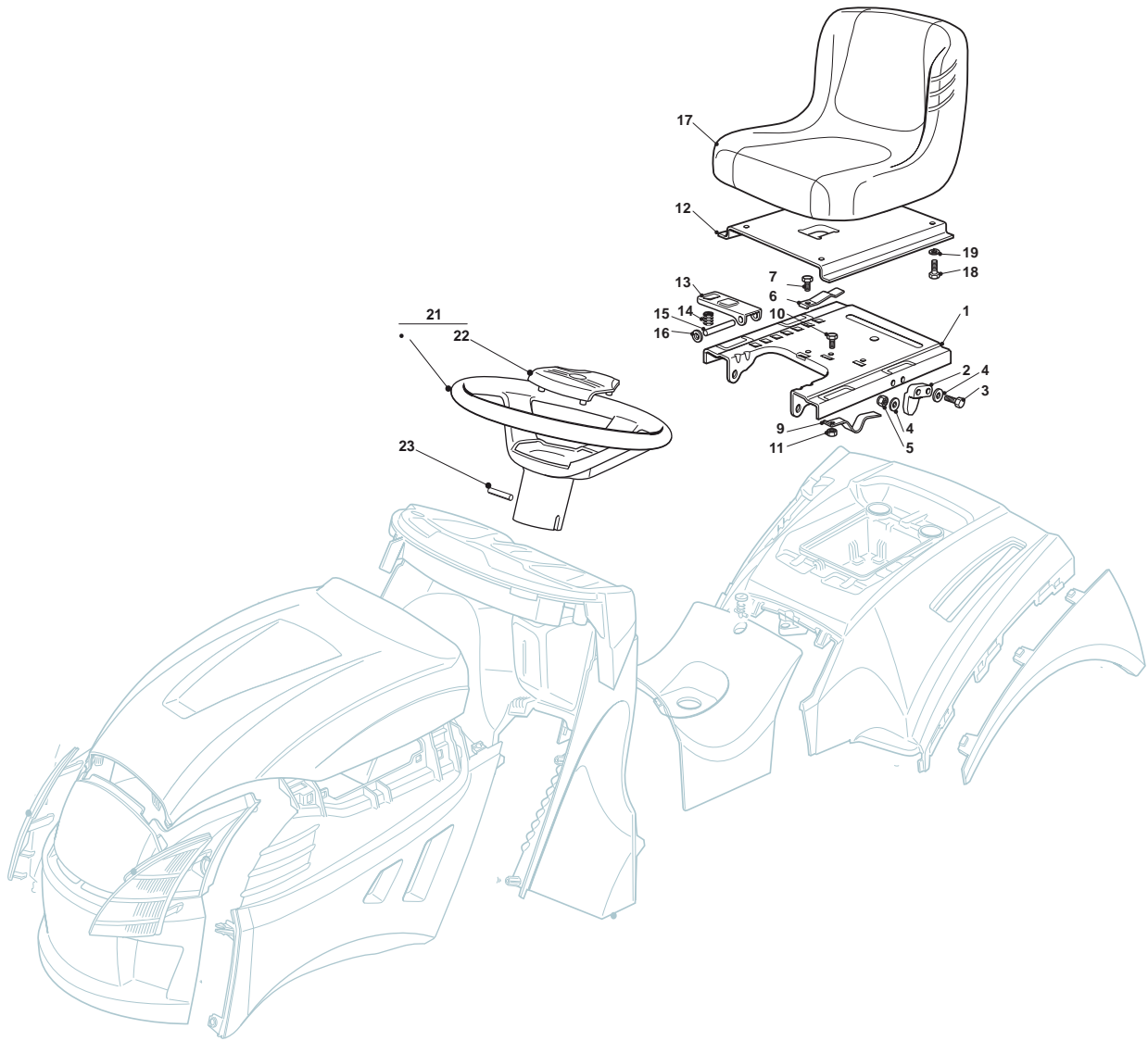
Electrical Parts							
POS	CODE	Q.TY	DESCRIPTION	DESCRIZIONE	DESCRIPTION	BESCHREIBUNG	NOTES
1	382722422/3	1	Cards + Guards (D)	Schede + Protezioni (D)	Cartes + Protections (D)	Karte + Schutze (D)	
1	382722423/2	1	Cards + Guards (C)	Schede + Protezioni (C)	Cartes + Protections (C)	Karte + Schutze (C)	
2	112521320/0	2	Washer	Rosetta	Rondelle	Scheibe	
3	112154330/0	2	Low Self-Locking Nut	Dado Autobloccante	Écrou auto-bloquant	Selbstsichernde Mutter	
4	325031501/0	1	Deflector	Deflettore	Deflecteur	Abweiser	
8	133340035/0	1	Lamellar Fusible 15A	Lamellar Fusible 15A	Lamellar Fusible 15A	Lamellar Fusible 15A	only for models with ele. grasscatcher lifting
8	133340036/0	1	Fuse 25 A	Fusibile 25 A	Fusible 25 A	Sicherung 25 A	
8	133340040/0	1	Fuse 10A	Fusibile 10A	Fusible 10A	Sicherung 10A	
9	133215000/0	2	Cover	Coperchio Membrana	Couvercle Membrane	Deckel Membran	only for models with man. grasscatcher lifting
9	133215000/0	3	Cover	Coperchio Membrana	Couvercle Membrane	Deckel Membran	only for models with ele. grasscatcher lifting
10	133500007/0	2	Fuse Carrier	Portafusibile	Tableau De Fusible	Sicherungshalter	only for models with man. grasscatcher lifting
10	133500007/0	3	Fuse Carrier	Portafusibile	Tableau De Fusible	Sicherungshalter	only for models with ele. grasscatcher lifting
11	182040179/0	1	Cables Ass.Y	Cablaggio	Ens. Cablages	Kabelsatz	only for models with B&S and Kohler engine
11	182040180/0	1	Cables Ass.Y	Cablaggio	Ens. Cablages	Kabelsatz	only for models with Honda engine
12	118450072/0	1	Starting Switch	Interruttore Avviamento	Interrupteur Demarrage	Schalter	
13	118550136/0	1	Elastic Washer	Disco Elastico	Disque Elastique	Federscheibe	
14	118550135/0	1	Washer	Rosetta	Rondelle	Scheibe	
15	118400862/0	1	Ring Nut	Ring Nut	Ring Nut	Ring Nut	
16	118210022/0	1	Starting Key	Chiave Avviamento	Clef A Demarrage	Schlüssel Für Start	
17	118120057/0	1	Battery	Battery	Battery	Battery	
18	125430230/0	1	Spring	Molla	Ressort	Feder	
19	182180090/0	1	Battery Charger	Carica Batteria	Chargeur De Batterie	Batterieladegerät	UE Plag
19	182180091/0	1	Battery Charger	Carica Batteria	Chargeur De Batterie	Batterieladegerät	Uk Plag
31	119410615/0	3	Micro Switch	Micro Interruttore	Microinterrupteur	Mikroschalter	
32	119410605/1	1	Micro Switch	Micro Interruttore	Microinterrupteur	Mikroschalter	
35	118450200/0	1	Cigarette Lighter Socket	Accendisigari	Cigarette Lighter Socket	Cigarette Lighter Socket	
36	118450060/1	1	Switch	Interruttore	Interrupteur	Schalter	
38	118450068/0	1	Switch	Interruttore	Interrupteur	Schalter	
41	182040073/0	1	Lamp Holder	Portalampane	Douille De Lampe	Scheinwerferlampe	
43	118459100/0	2	Lamp For Lights	Lamp For Lights	Lamp For Lights	Lamp For Lights	
44	112361005/0	1	Hexagonal Nut	Dado	Écrou	Mutter	
45	382394853/0	1	Switch Ass.Y	Ass. Micro	Micro. Ens.	Mikrosatz	
46	119410609/0	1	Micro Switch	Micro Interruttore	Microinterrupteur	Mikroschalter	
47	112735602/0	2	Screw	Vite	Vis	Schraube	
48	112581100/0	2	Grower	Grower	Grower	Federring	
49	112290791/0	2	Hexagonal Nut	Dado	Écrou	Mutter	
50	112735110/0	2	Screw	Vite	Vis	Schraube	
51	133320506/0	5	Fairlead	Fermacavo	Fixation Cable	Kabelbefestigung	
52	133320504/0	1	Fairlead	Fermacavo	Fixation Cable	Kabelbefestigung	
54	118564864/1	1	Protection	Protezione	Protection	Schutz	

Labels							
POS	CODE	Q.TY	DESCRIPTION	DESCRIZIONE	DESCRIPTION	BESCHREIBUNG	NOTES
1	114361553/0	1	Label	Etichetta	Etiquette	Etikett	
5	114365612/0	1	Label	Etichetta	Etiquette	Etikett	
8	114363700/0	1	Label	Etichetta	Etiquette	Etikett	
10	114356699/1	2	Label	Etichetta	Etiquette	Etikett	
13	114357913/0	1	Label	Etichetta	Etiquette	Etikett	
17	114363414/0	1	Label	Etichetta	Etiquette	Etikett	
18	114360715/2	1	Label	Etichetta	Etiquette	Etikett	

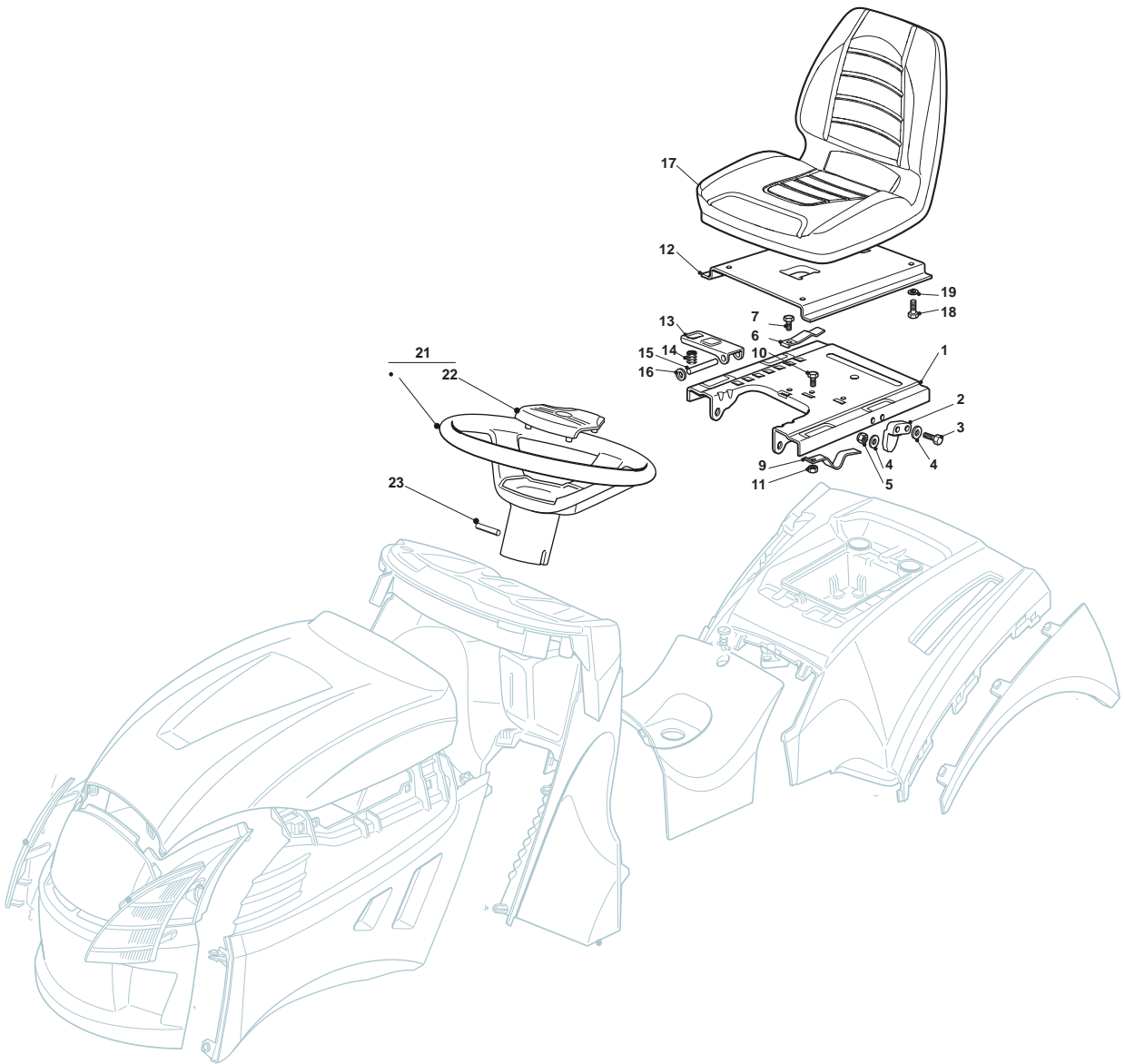


Optionals On Request

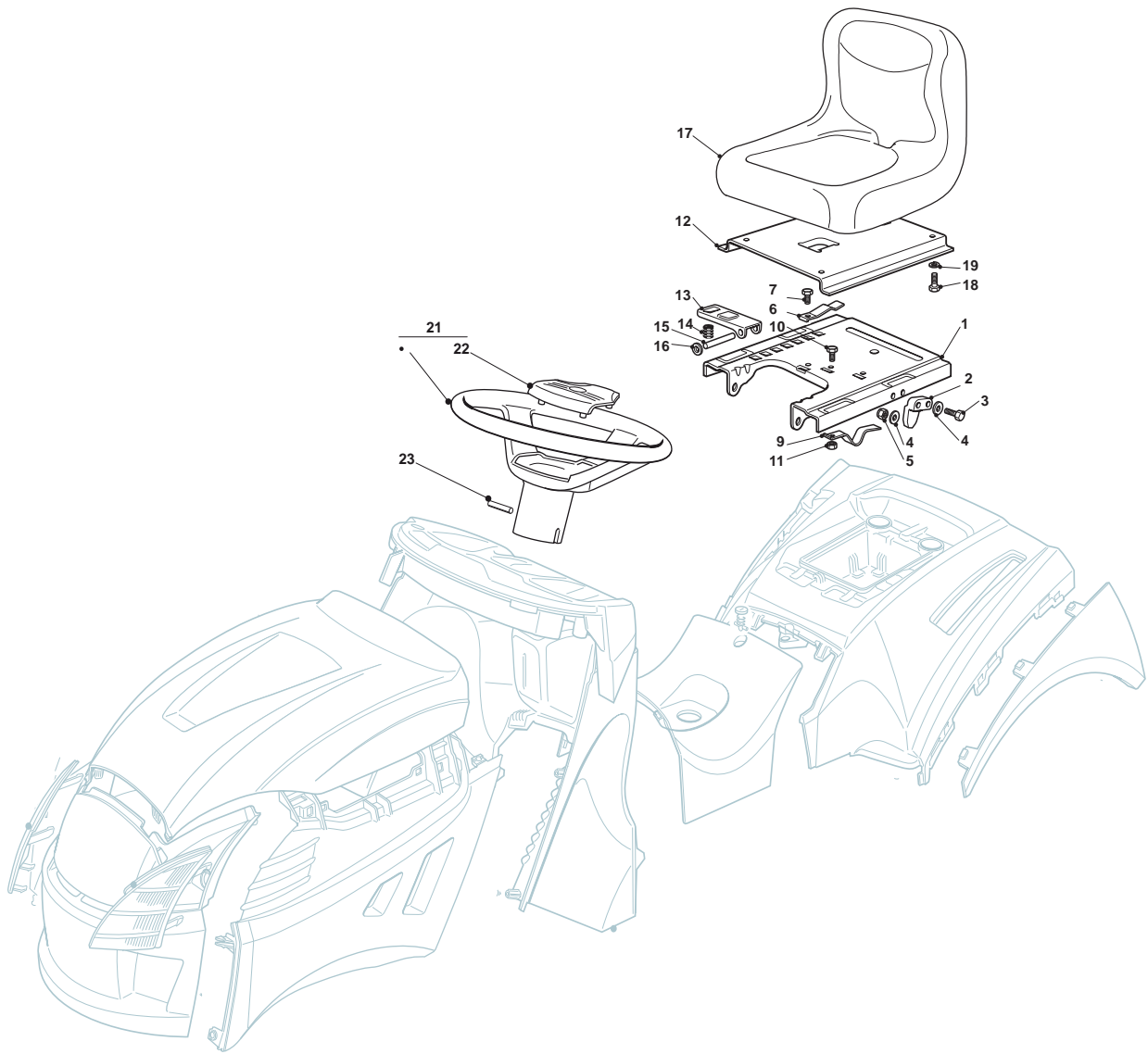
POS	CODE	Q.TY	DESCRIPTION	DESCRIZIONE	DESCRIPTION	BESCHREIBUNG	NOTES
2	382400003/1	1	Ejection Guard	Protezione Uscita	Protection Sortie	Auswurfschutz	
3	325869043/0	1	Rear Support	Supporto Posteriore	Support Arriere	Rear Support	
4	118566112/0	2	Cap	Puntale	Bouchon	Pfropfen	
5	112689515/0	2	Screw	Vite	Vis	Schraube	
6	112154510/0	2	Nut	Dado	Ecrou	Mutter	
7	125510022/0	2	Pin	Perno	Pivot	Bolzen	
8	124487998/0	2	Cotter Pin	Coppiglia	Goupille	Split	
9	124487999/0	1	Spring Pin	Coppiglia	Goupille	Split	
31	325869079/0	2	Guard	Protezione	Protection	Schutz	
32	112793102/0	8	Screw	Vite	Vis	Schraube	
33	112155000/0	8	Nut	Dado	Ecrou	Mutter	
41	382033113/0	1	Rod	Asta	Tige	Stange	
42	382774265/0	1	Bracket Right Hitch Support	Staffa Supporto Traino Dx	Etrier Support Trainage Droit	Buegel Halter Für Rechten Zug	
43	382774267/0	1	Bracket Left Hitch Support	Staffa Supporto Traino Sx	Etrier Support Trainage Gauche	Buegelhalter Für Linken Zug	
44	112521395/0	2	Washer	Rosetta	Rondelle	Scheibe	
45	112620305/0	2	Elastic Pin	Spina Elastica	Goupille Élastique	Elastischer Stift	
46	125510118/0	2	Pin	Perno	Pivot	Bolzen	
47	124487997/0	2	Cotter Pin	Coppiglia	Goupille	Split	
48	125510021/1	1	Hitch Pin	Perno	Pivot	Bolzen	
49	124487999/0	1	Spring Pin	Coppiglia	Goupille	Split	
72	125140092/0	1	Mulching Deflector	Deflettore Mulching	Mulching Deflecteur	Abweiser	
73	325394019/0	1	Handle	Corrimano	Main-Courante	Handlauf	
74	125510077/0	1	Pin	Perno	Pivot	Bolzen	
75	125430245/0	1	Spring	Molla	Ressort	Feder	
76	112735405/0	1	Screw	Vite	Vis	Schraube	
77	325280000/1	1	Handgrip	Impugnatura	Poignée	Handgriff	
78	125840011/1	1	Elastic Tie-Rod	Tirante In Gomma	Tirant Elastique	Elastische Zugstäbe	
79	125253004/0	2	Mulch.Kit Fixing Hook	Gancio Fissaggio Kit Mulching	Crochet Fixage Kit Mulching	MulchingHaken	



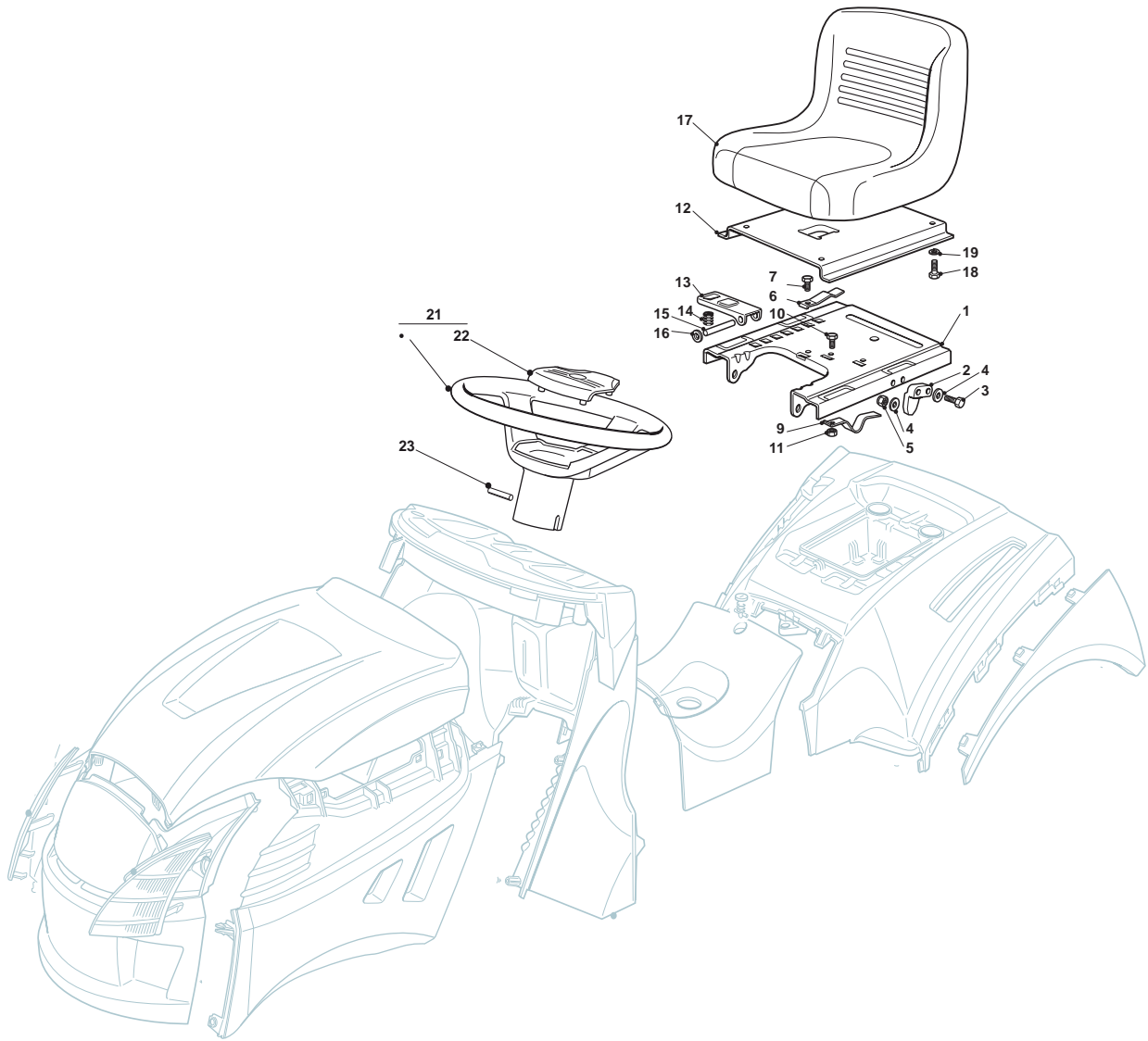
Seat & Steering Wheel							
POS	CODE	Q.TY	DESCRIPTION	DESCRIZIONE	DESCRIPTION	BESCHREIBUNG	NOTES
1	325785149/2	1	Fixed Seat Support	Supporto Sedile Fisso	Support Siege Fixe	Fest Sitzhalter	
2	325060049/0	1	Seat Switch Cam	Camma Azionamento	Came	Nocken	
3	112815050/0	2	Screw	Vite	Vis	Schraube	
4	112521320/0	4	Washer	Rondella	Rondelle	Scheibe	
5	112154330/0	2	Nut	Dado	Ecrou	Nuss	
6	125430203/1	1	Spring	Molla	Ressort	Feder	
7	112731580/0	1	Screw	Vite	Vis	Schraube	
9	125430223/2	1	Spring	Molla	Ressort	Feder	
10	112789000/0	1	Screw	Vite	Vis	Schraube	
11	112154330/0	1	Low Self-Locking Nut	Dado Autobloccante	Écrou auto-bloquant	Selbstsichernde Mutter	
12	325785147/2	1	Seat Support	Supporto Sedile	Support Siege	Seat Support	
13	325318109/1	1	Stop Lever	Leva Arresto	Levier D'Arret	Abstellhebel	
14	125430202/1	1	Spring	Molla	Ressort	Feder	
15	125510000/0	1	Pin	Perno	Pivot	Bolzen	
16	112604897/0	2	Elastic Washer	Disco Elastico	Disque Elastique	Federscheibe	
17	125722459/0	1	Seat	Sedile	Siege	Sitz	
18	112793102/0	4	Screw	Vite	Vis	Schraube	
19	112583500/0	4	Grower	Grower	Grower	Federring	
21	125961214/1	1	Steering Wheel	Volante	Volant	Lenkrad	
22	325580500/0	1	Cap	Tappo	Bouchon	Stopfen	
23	112620299/0	1	Elastic Pin	Spina Elastica	Goupille	Stift	



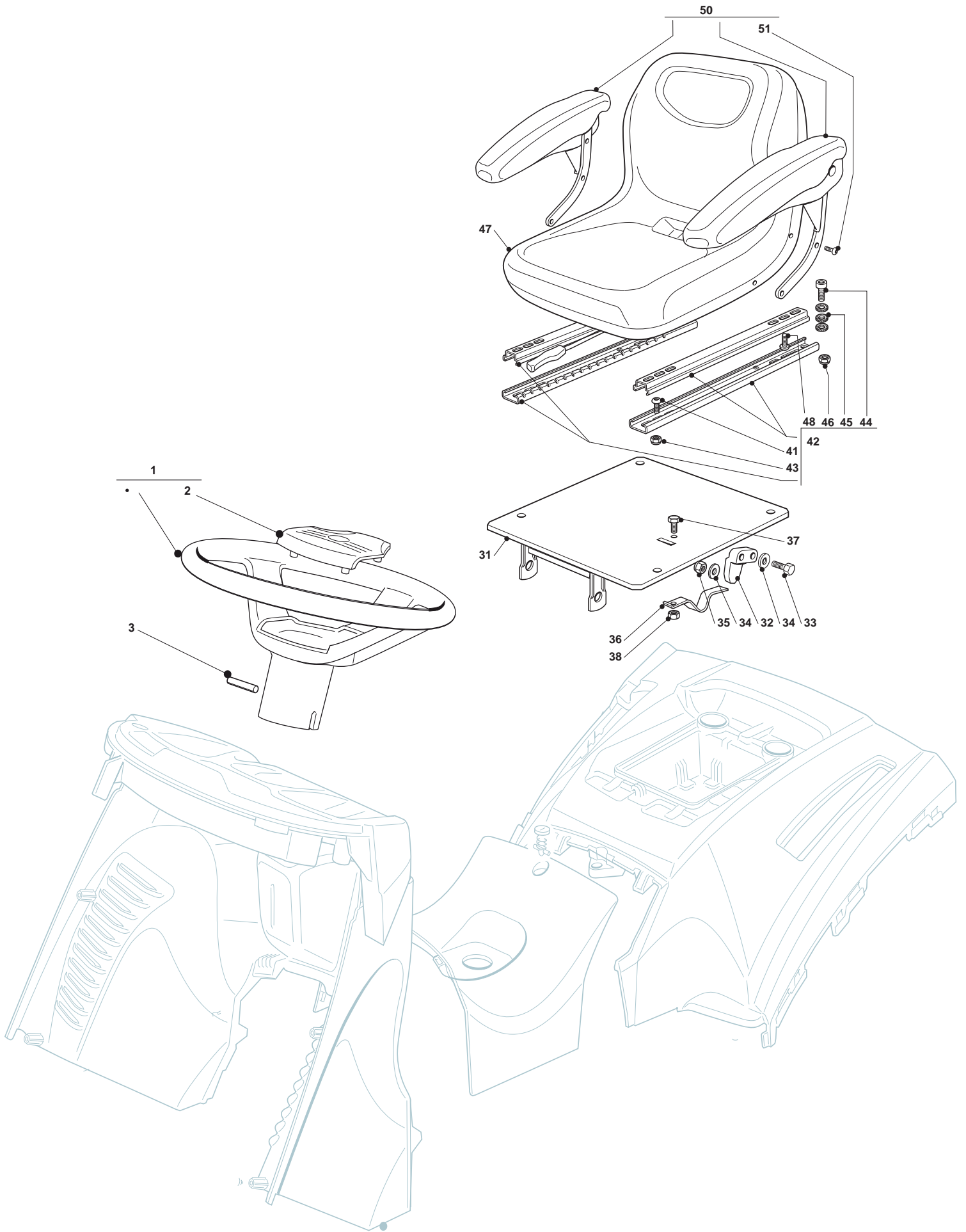
Seat & Steering Wheel							
POS	CODE	Q.TY	DESCRIPTION	DESCRIZIONE	DESCRIPTION	BESCHREIBUNG	NOTES
1	325785149/2	1	Fixed Seat Support	Supporto Sedile Fisso	Support Siege Fixe	Fest Sitzhalter	
2	325060049/0	1	Seat Switch Cam	Camma Azionamento	Came	Nocken	
3	112815050/0	2	Screw	Vite	Vis	Schraube	
4	112521320/0	4	Washer	Rondella	Rondelle	Scheibe	
5	112154330/0	2	Low Self-Locking Nut	Dado Autobloccante	Écrou auto-bloquant	Selbstsichernde Mutter	
6	125430203/1	1	Spring	Molla	Ressort	Feder	
7	112731580/0	1	Screw	Vite	Vis	Schraube	
9	125430223/2	1	Spring	Molla	Ressort	Feder	
10	112789000/0	1	Screw	Vite	Vis	Schraube	
11	112154330/0	1	Low Self-Locking Nut	Dado Autobloccante	Écrou auto-bloquant	Selbstsichernde Mutter	
12	325785147/2	1	Seat Support	Supporto Sedile	Support Siege	Seat Support	
13	325318109/1	1	Stop Lever	Leva Arresto	Levier D'Arret	Abstellhebel	
14	125430202/1	1	Spring	Molla	Ressort	Feder	
15	125510000/0	1	Pin	Perno	Pivot	Bolzen	
16	112604897/0	2	Elastic Washer	Disco Elastico	Disque Elastique	Federscheibe	
17	125722476/0	1	Seat	Sedile	Siege	Sitz	
18	112793102/0	4	Screw	Vite	Vis	Schraube	
19	112583500/0	4	Grower	Grower	Grower	Federring	
21	125961214/1	1	Steering Wheel	Volante	Volant	Lenkrad	
22	325580500/0	1	Cap	Tappo	Bouchon	Stopfen	
23	112620299/0	1	Elastic Pin	Spina Elastica	Goupille	Stift	



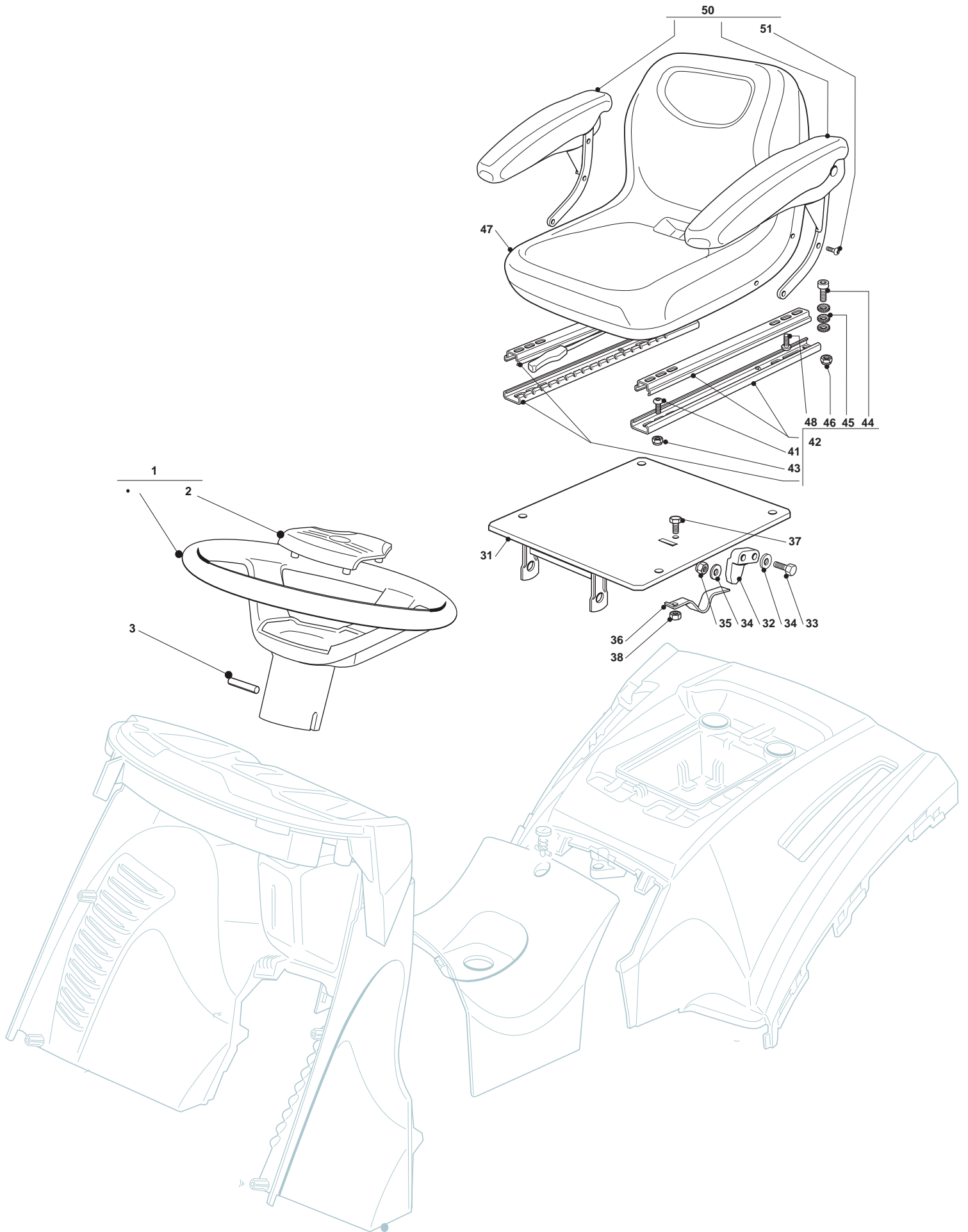
Seat & Steering Wheel							
POS	CODE	Q.TY	DESCRIPTION	DESCRIZIONE	DESCRIPTION	BESCHREIBUNG	NOTES
1	325785149/2	1	Fixed Seat Support	Supporto Sedile Fisso	Support Siege Fixe	Fest Sitzhalter	
2	325060049/0	1	Seat Switch Cam	Camma Azionamento	Came	Nocken	
3	112815050/0	2	Screw	Vite	Vis	Schraube	
4	112521320/0	4	Washer	Rondella	Rondelle	Scheibe	
5	112372550/0	2	Nut	Dado	Ecrou	Nuss	
6	125430203/1	1	Spring	Molla	Ressort	Feder	
7	112731580/0	1	Screw	Vite	Vis	Schraube	
9	125430223/2	1	Spring	Molla	Ressort	Feder	
10	112789000/0	1	Screw	Vite	Vis	Schraube	
11	112154330/0	1	Low Self-Locking Nut	Dado Autobloccante	Écrou auto-bloquant	Selbstsichernde Mutter	
12	325785147/2	1	Seat Support	Supporto Sedile	Support Siege	Sitzhalter	
13	325318109/1	1	Stop Lever	Leva Arresto	Levier D'Arret	Abstellhebel	
14	125430202/1	1	Spring	Molla	Ressort	Feder	
15	125510000/0	1	Pin	Perno	Pivot	Bolzen	
16	112604897/0	2	Elastic Washer	Disco Elastico	Disque Elastique	Federscheibe	
17	125722457/0	1	Seat	Sedile	Siege	Sitz	
18	112793102/0	4	Screw	Vite	Vis	Schraube	
19	112583500/0	4	Grower	Grower	Grower	Federring	
21	125961210/1	1	Steering Wheel	Volante	Volant	Lenkrad	
22	325580501/0	1	Cap	Tappo	Bouchon	Stopfen	
23	112620299/0	1	Elastic Pin	Spina Elastica	Goupille	Stift	



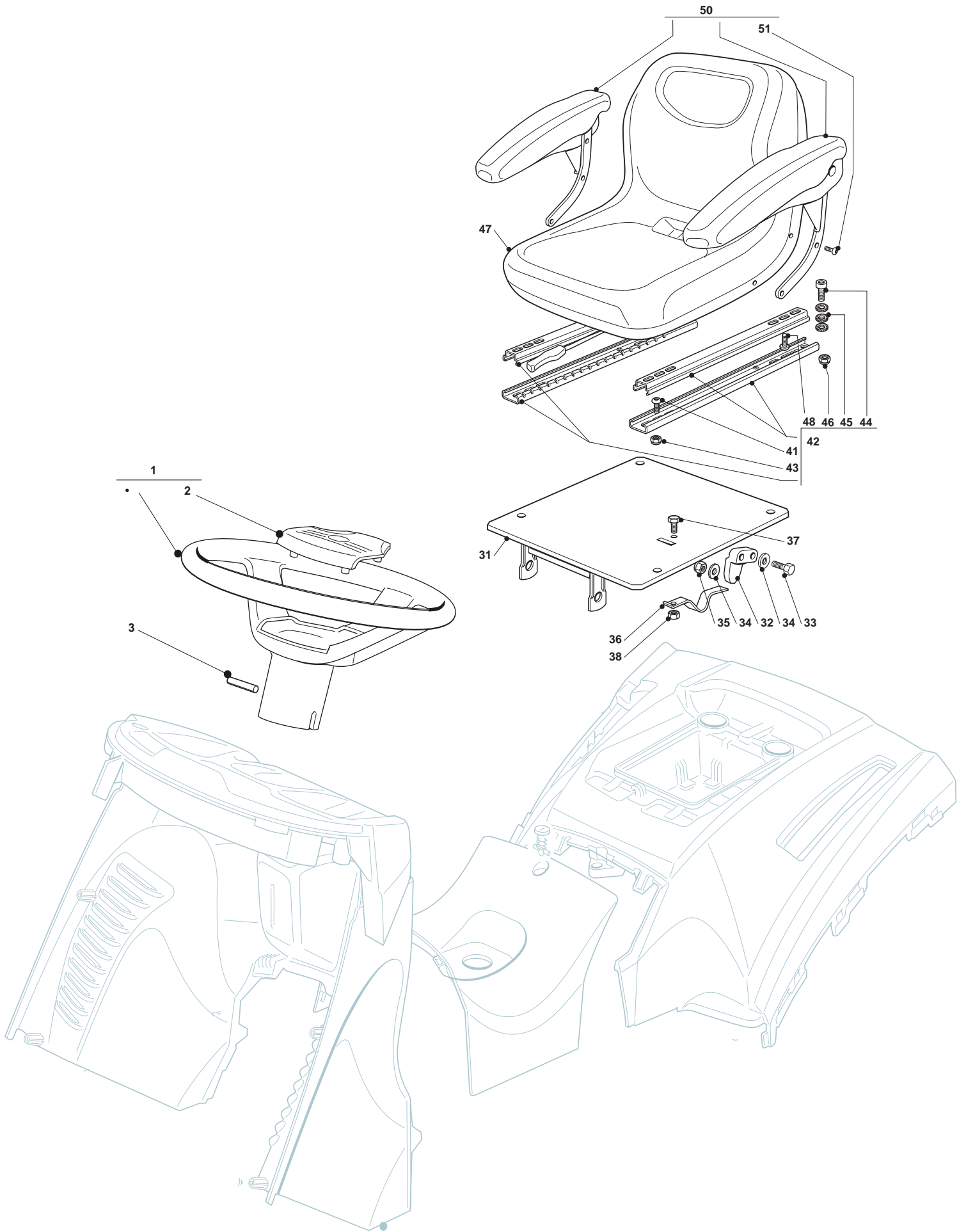
Seat & Steering Wheel							
POS	CODE	Q.TY	DESCRIPTION	DESCRIZIONE	DESCRIPTION	BESCHREIBUNG	NOTES
1	325785149/2	1	Fixed Seat Support	Supporto Sedile Fisso	Support Siege Fixe	Fest Sitzhalter	
2	325060049/0	1	Seat Switch Cam	Camma Azionamento	Came	Nocken	
3	112815050/0	2	Screw	Vite	Vis	Schraube	
4	112521320/0	4	Washer	Rondella	Rondelle	Scheibe	
5	112372550/0	2	Nut	Dado	Ecrou	Nuss	
6	125430203/1	1	Spring	Molla	Ressort	Feder	
7	112731580/0	1	Screw	Vite	Vis	Schraube	
9	125430223/2	1	Spring	Molla	Ressort	Feder	
10	112789000/0	1	Screw	Vite	Vis	Schraube	
11	112154330/0	1	Low Self-Locking Nut	Dado Autobloccante	Écrou auto-bloquant	Selbstsichernde Mutter	
12	325785147/2	1	Seat Support	Supporto Sedile	Support Siege	Sitzhalter	
13	325318109/1	1	Stop Lever	Leva Arresto	Levier D'Arret	Abstellhebel	
14	125430202/1	1	Spring	Molla	Ressort	Feder	
15	125510000/0	1	Pin	Perno	Pivot	Bolzen	
16	112604897/0	2	Elastic Washer	Disco Elastico	Disque Elastique	Federscheibe	
17	125722471/0	1	Seat	Sedile	Siege	Sitz	
18	112793102/0	4	Screw	Vite	Vis	Schraube	
19	112583500/0	4	Grower	Grower	Grower	Federring	
21	125961217/1	1	Coated Steering Wheel	Volante	Volant	Lenkrad	
22	325580505/0	1	Cap	Tappo	Bouchon	Stopfen	
23	112620299/0	1	Elastic Pin	Spina Elastica	Goupille	Stift	



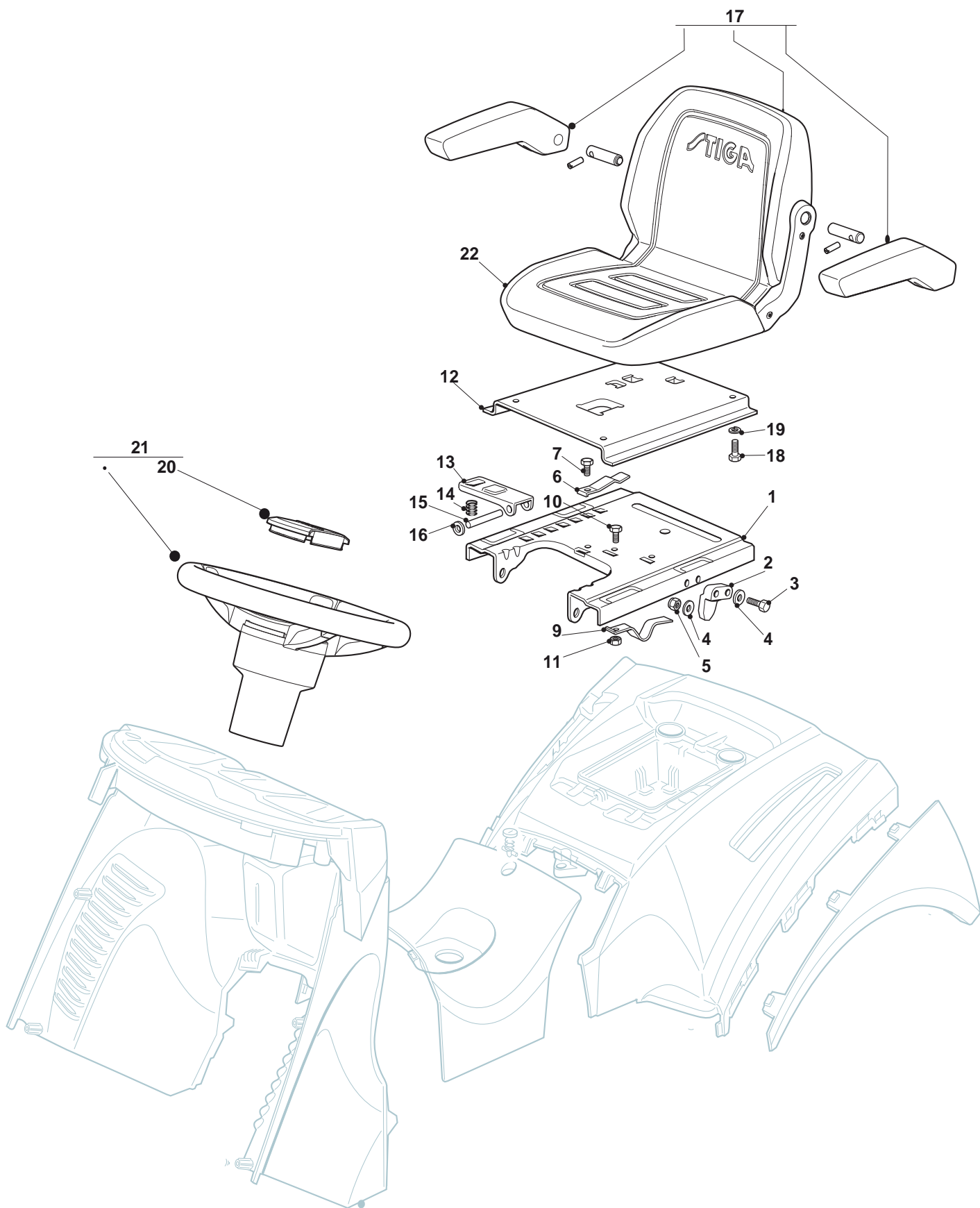
Seat & Steering Wheel							
POS	CODE	Q.TY	DESCRIPTION	DESCRIZIONE	DESCRIPTION	BESCHREIBUNG	NOTES
1	325785149/2	1	Fixed Seat Support	Supporto Sedile Fisso	Support Siege Fixe	Fest Sitzhalter	
2	325060049/0	1	Cam	Camma	Came	Nocken	
3	112815050/0	2	Screw	Vite	Vis	Schraube	
4	112521320/0	4	Washer	Rosetta	Rondelle	Scheibe	
5	112372550/0	2	Nut	Dado	Ecrou	Mutter	
6	125430203/1	1	Spring	Molla	Ressort	Feder	
7	112731580/0	1	Screw	Vite	Vis	Schraube	
9	125430223/2	1	Spring	Molla	Ressort	Feder	
10	112789000/0	1	Screw	Vite	Vis	Schraube	
11	112154330/0	1	Low Self-Locking Nut	Dado Autobloccante	Écrou auto-bloquant	Selbstsichernde Mutter	
12	325785147/2	1	Seat Support	Supporto Sedile	Support Siege	Sitzhalter	
13	325318109/1	1	Stop Lever	Leva Arresto	Levier D'Arret	Abstellhebel	
14	125430202/1	1	Spring	Molla	Ressort	Feder	
15	125510000/0	1	Pin	Perno	Pivot	Bolzen	
16	112604897/0	2	Elastic Washer	Disco Elastico	Disque Elastique	Federscheibe	
17	125722471/0	1	Seat	Sedile	Siege	Sitz	
18	112793102/0	4	Screw	Vite	Vis	Schraube	
19	112583500/0	4	Grower	Grower	Grower	Federring	
21	125961217/1	1	Steering Wheel	Volante	Volant	Lenkrad	
22	325580505/0	1	Cap	Tappo	Bouchon	Stopfen	
23	112620299/0	1	Elastic Pin	Spina Elastica	Goupille Élastique	Elastischer Stift	



Seat & Steering Wheel							
POS	CODE	Q.TY	DESCRIPTION	DESCRIZIONE	DESCRIPTION	BESCHREIBUNG	NOTES
1	125961217/1	1	Coated Steering Wheel	Volante	Steering Wheel Assy	Lenkrad	
2	325580505/0	1	Cap	Tappo	Bouchon	Stopfen	
3	112620299/0	1	Elastic Pin	Spina Elastica	Goupille	Stift	
31	382735809/0	1	Fixed Seat Support	Supporto Sedile Fisso	Support Siege Fixe	Fest Sitzhalter	
32	325060049/0	1	Seat Switch Cam	Camma Azionamento	Came	Nocken	
33	112815050/0	2	Screw	Vite	Vis	Schraube	
34	112521320/0	4	Washer	Rondella	Rondelle	Scheibe	
35	112372550/0	2	Nut	Dado	Ecrou	Nuss	
36	125430275/0	1	Spring	Molla	Ressort	Feder	
37	112789195/0	1	Screw	Vite	Vis	Schraube	
38	112154330/0	1	Low Self-Locking Nut	Dado Autobloccante	Écrou auto-bloquant	Selbstsichernde Mutter	
41	112760605/0	4	Screw	Vite	Vis	Schraube	
42	382180115/0	1	Guide Assy	Assieme Guide Scorrevoli	Guide	Führung	
43	112155000/0	4	Nut	Dado	Ecrou	Nuss	
44	112760515/0	1	Screw	Vite	Vis	Schraube	
45	112540060/0	3	Washer	Rondella	Rondelle	Scheibe	
46	112155000/0	1	Nut	Dado	Ecrou	Nuss	
47	125722473/0	1	Seat	Sedile	Siege	Sitz	
48	112760605/0	4	Screw	Vite	Vis	Schraube	
50	382180112/0	1	Arm-Rest Assy	Assieme Braccioli	Accoudoir Ens.	Armlehnsysteme	
51	112760605/0	6	Screw	Vite	Vis	Schraube	



Seat & Steering Wheel							
POS	CODE	Q.TY	DESCRIPTION	DESCRIZIONE	DESCRIPTION	BESCHREIBUNG	NOTES
1	125961210/1	1	Steering Wheel	Volante	Steering Wheel Assy	Lenkrad	
2	325580501/0	1	Cap	Tappo	Bouchon	Stopfen	
3	112620299/0	1	Elastic Pin	Spina Elastica	Goupille	Stift	
31	382735809/0	1	Fixed Seat Support	Supporto Sedile Fisso	Support Siege Fixe	Fest Sitzhalter	
32	325060049/0	1	Seat Switch Cam	Camma Azionamento	Came	Nocken	
33	112815050/0	2	Screw	Vite	Vis	Schraube	
34	112521320/0	4	Washer	Rondella	Rondelle	Scheibe	
35	112372550/0	2	Nut	Dado	Ecrou	Nuss	
36	125430275/0	1	Spring	Molla	Ressort	Feder	
37	112789195/0	1	Screw	Vite	Vis	Schraube	
38	112154330/0	1	Low Self-Locking Nut	Dado Autobloccante	Écrou auto-bloquant	Selbstsichernde Mutter	
41	112760605/0	4	Screw	Vite	Vis	Schraube	
42	382180115/0	1	Guide Assy	Assieme Guide Scorrevoli	Guide	Führung	
43	112155000/0	4	Nut	Dado	Ecrou	Nuss	
44	112760515/0	1	Screw	Vite	Vis	Schraube	
45	112540060/0	3	Washer	Rondella	Rondelle	Scheibe	
46	112155000/0	1	Nut	Dado	Ecrou	Nuss	
47	125722473/0	1	Seat	Sedile	Siege	Sitz	
48	112760605/0	4	Screw	Vite	Vis	Schraube	
50	382180112/0	1	Arm-Rest Assy	Assieme Braccioli	Accoudoir Ens.	Armlehnsysteme	
51	112760605/0	6	Screw	Vite	Vis	Schraube	



Seat & Steering Wheel

POS	CODE	Q.TY	DESCRIPTION	DESCRIZIONE	DESCRIPTION	BESCHREIBUNG	NOTES
1	325785149/2	1	Fixed Seat Support	Supporto Sedile Fisso	Support Siege Fixe	Fest Sitzhalter	
2	325060049/0	1	Seat Switch Cam	Camma Azionamento	Came Interrupteur Siege	Nocken	
3	112815050/0	2	Screw	Vite	Vis	Schraube	
4	112521320/0	4	Washer	Rosetta	Rondelle	Scheibe	
5	112372550/0	2	Nut	Dado	Ecrou	Mutter	
6	125430203/1	1	Spring	Molla Arresto	Ressort D'Arret	Rastfeder	
7	112731580/0	1	Screw	Vite	Vis	Schraube	
9	125430223/2	1	Spring	Molla	Ressort	Feder	
10	112789000/0	1	Screw	Vite	Vis	Schraube	
11	112154330/0	1	Low Nut	Dado	Écrou	Mutter	
12	325785147/2	1	Seat Support	Supporto Sedile	Support Siege	Sitzhalter	
13	325318109/1	1	Stop Lever	Leva Arresto	Levier D'Arret	Abstellhebel	
14	125430202/1	1	Spring	Molla	Ressort	Feder	
15	125510000/0	1	Pin	Perno	Pivot	Bolzen	
16	112604897/0	2	Elastic Washer	Disco Elastico	Disque Elastique	Federscheibe	
17	382735810/0	1	Seat Assy	Ass. Sedile	Ens. Siege	Sitz Kit	
18	112793102/0	4	Screw	Vite	Vis	Schraube	
19	112583500/0	4	Grower	Grower	Grower	Grower	
20	325580508/0	1	Steering Plate	Placca Volante	Plaque Volant	Lenkradplatte	
21	325961222/1	1	Steering Wheel	Volante	Volant	Lenkrad	
22	125722479/0	1	Seat	Sedile	Siege	Sitz	