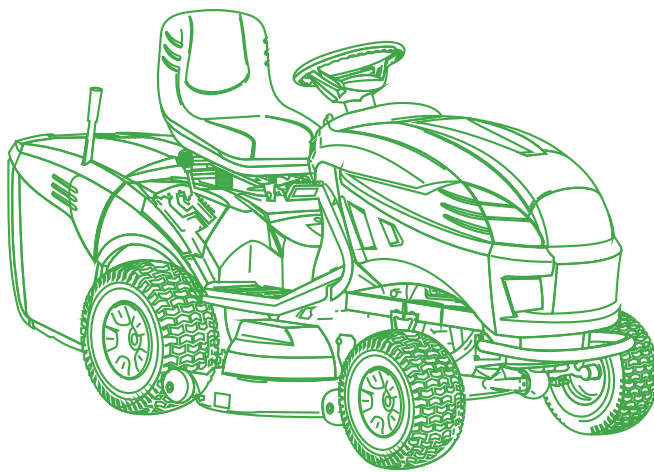


ILLUSTRATED PARTS LIST

TS 102 Hydro



- Use GLOBAL GARDEN PRODUCT Genuine Spare Parts specified in the parts list for repair and/or replacement.
- The contents described in the parts list may change due to improvement.
- The drawings of the spare parts are only indicative and might not represent the part in question exactly.
- The indications "right" - "left" - "front" - "rear" refer to the position of the operator when using the machine.
- When placing orders of parts for repair and/or replacement, make sure that the illustrated parts list is the one applying to the machine's year of manufacture, as shown on the identification plate attached to the machine.

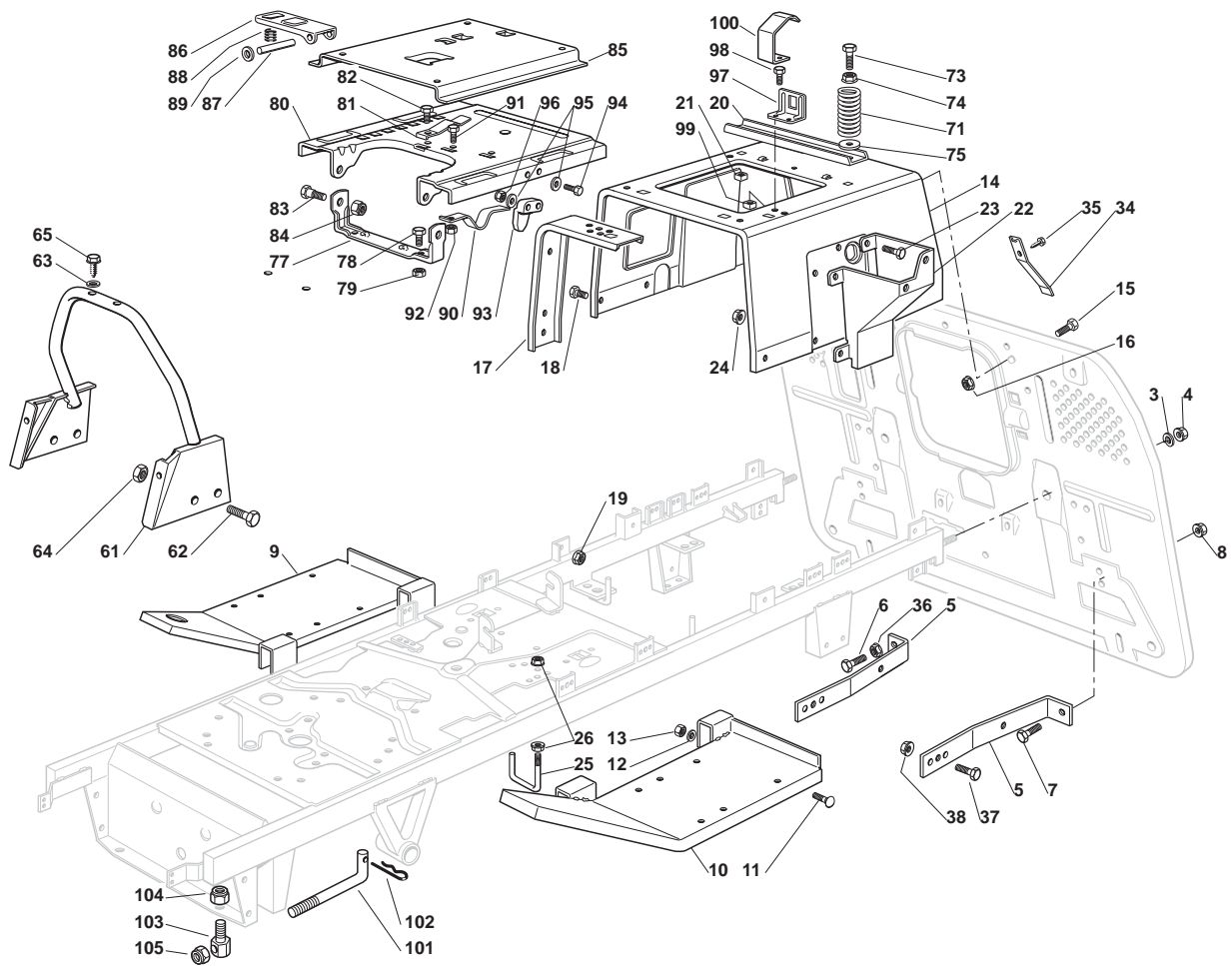
© Copyright 2013 Global Garden Products

All content is subject to copyright by Global Garden Products and may not be reproduced in whole or in part by any means, electronic or otherwise, without prior written approval.

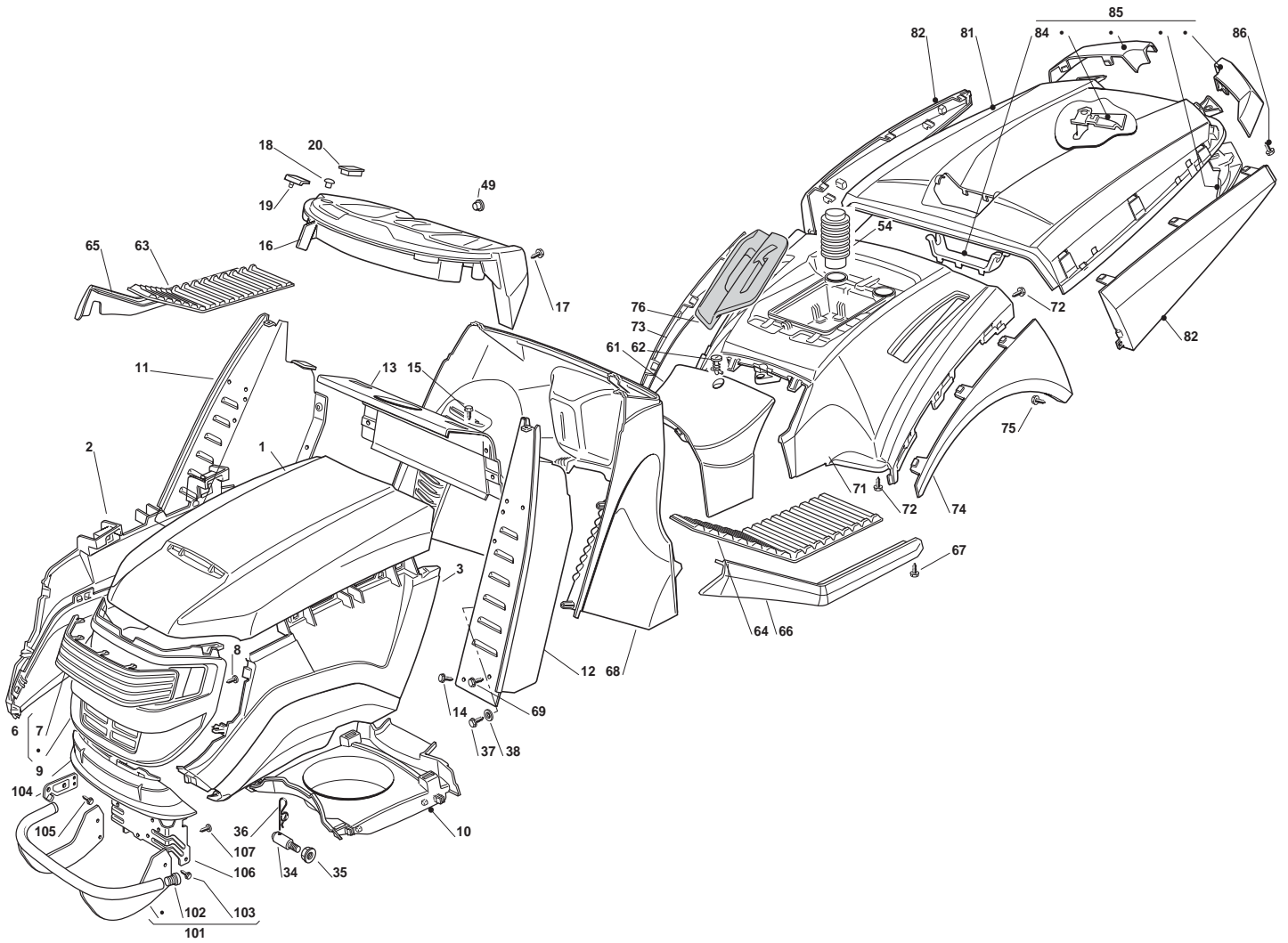
THIS INFORMATION IS NOT INTENDED FOR SALE OR RESALE, AND THIS NOTICE MUST REMAIN ON ALL COPIES.



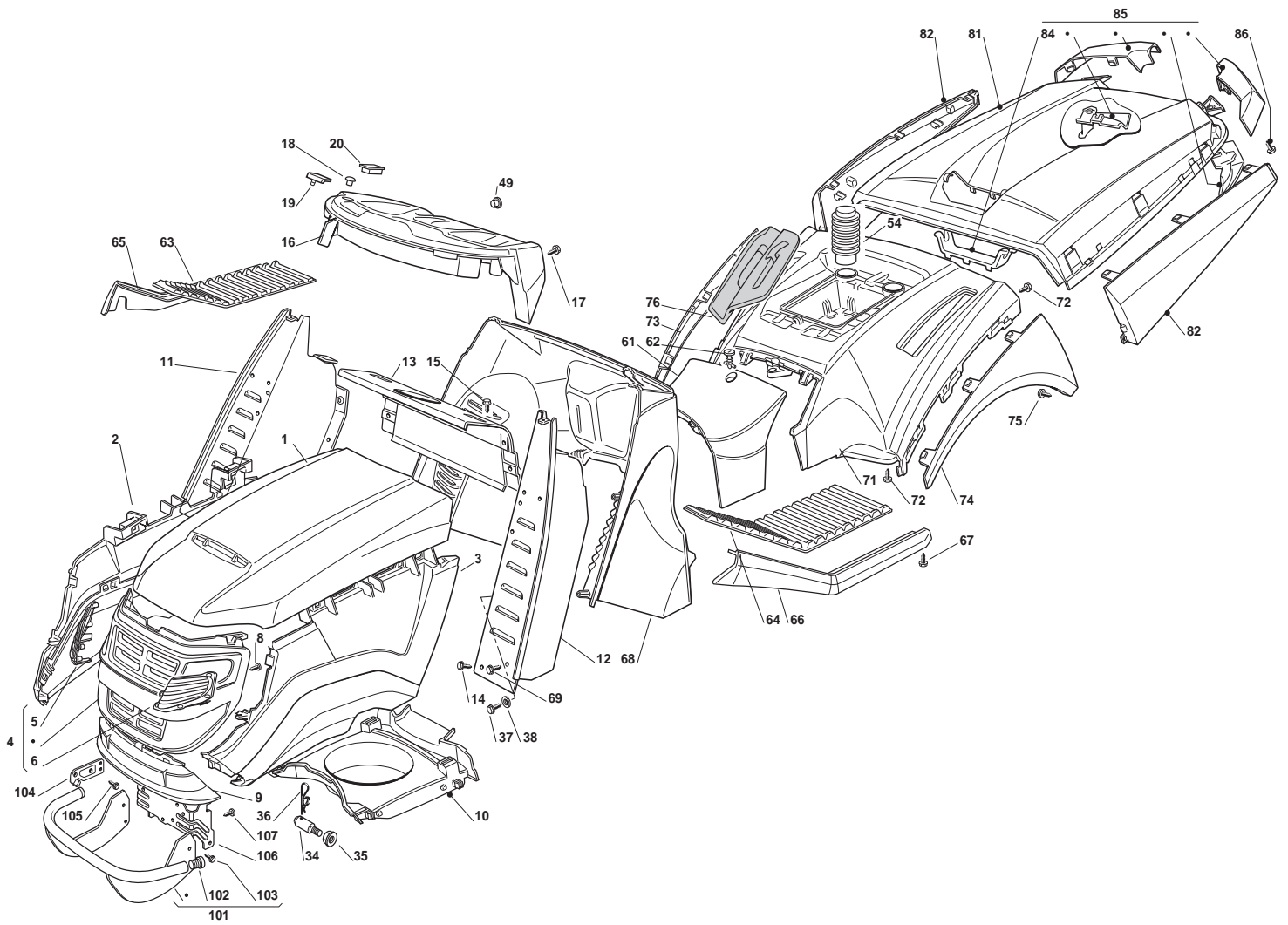
GLOBAL GARDEN PRODUCTS



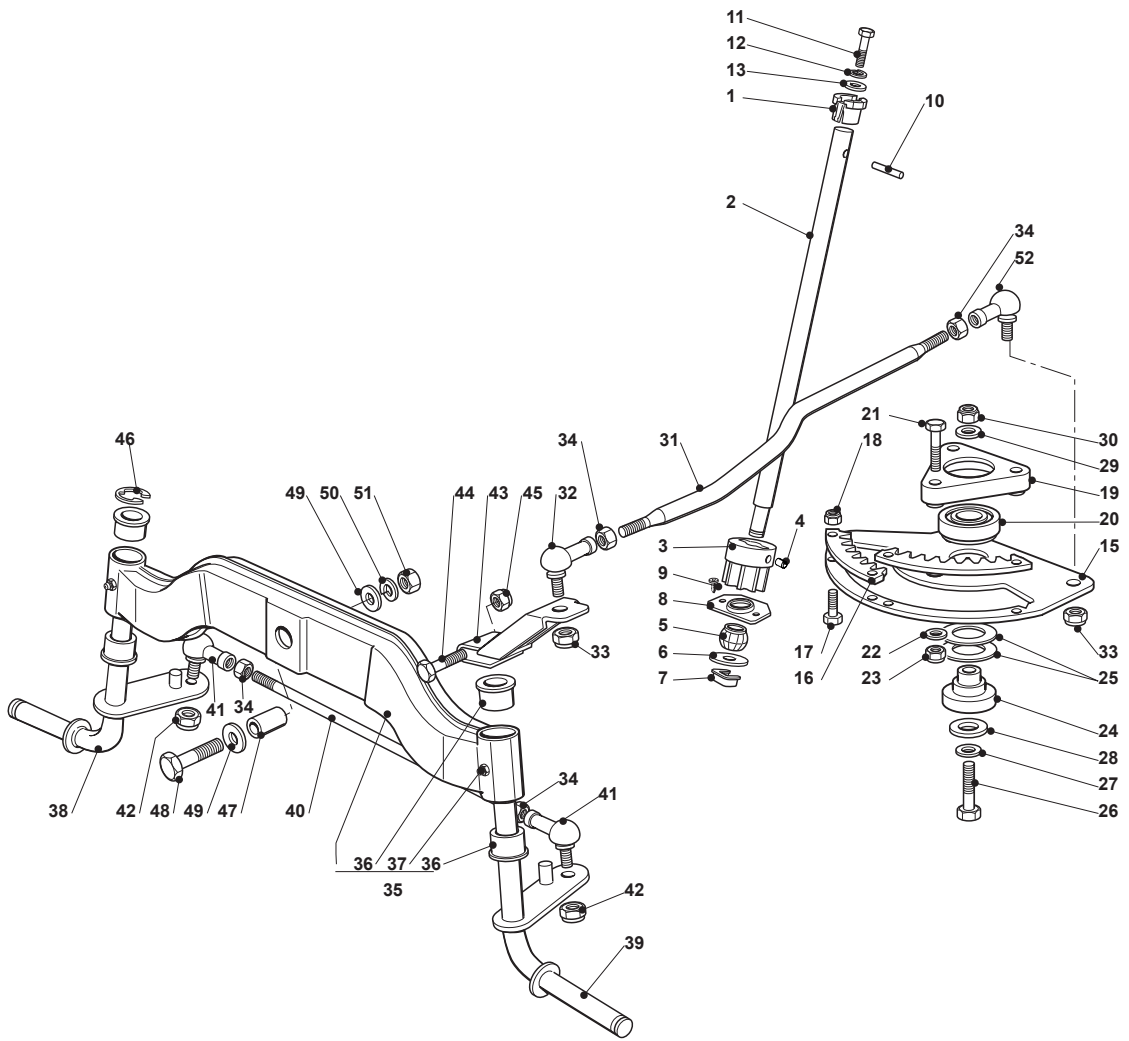
Chassis							
POS	CODE	Q.TY	DESCRIPTION	DESCRIZIONE	DESCRIPTION	BESCHREIBUNG	NOTES
3	112585100/0	2	Washer	Rosetta	Rondelle	Scheibe	
4	112295200/0	2	Hexagonal Nut	Dado	Ecrou	Mutter	
5	325774273/1	2	Stiffening	Rinforzo	Renforcement	Verstaerkung	
6	112691100/0	1	Screw	Vite	Vis	Schraube	
7	112793102/0	3	Screw	Vite	Vis	Schraube	
8	112293201/0	4	Nut	Dado	Ecrou	Mutter	
9	382510041/2	1	Right Footboard Support	Supporto Pedana Destra	Marchepied Droit Support	Rechte Fussbretthalter	
10	382510043/2	1	Left Footboard Support	Supporto Pedana Sinistra	Support Marchepied Gauche	Linke Fussbretthalter	
11	112815245/0	4	Screw	Vite	Vis	Schraube	
12	112523040/0	4	Washer	Rosetta	Rondelle	Scheibe	
13	112154510/0	4	Nut	Dado	Ecrou	Mutter	
14	325785133/5	1	Seat Support	Supporto Sedile	Support Siege	Sitzhalter	
15	112791011/0	5	Screw	Vite	Vis	Schraube	
16	112292102/0	5	Nut	Dado	Ecrou	Mutter	
17	325650065/0	2	Stiffening	Rinforzo	Renforcement	Verstaerkung	
18	112791011/0	6	Screw	Vite	Vis	Schraube	
19	112292102/0	6	Nut	Dado	Ecrou	Mutter	
20	325650067/0	1	Stiffening	Rinforzo	Renforcement	Verstaerkung	
21	112360420/0	2	Nut	Dado	Ecrou	Mutter	
22	325785137/1	1	Support	Supporto	Support	Halter	
23	112791011/0	4	Screw	Vite	Vis	Schraube	
24	112292102/0	4	Nut	Dado	Ecrou	Mutter	
25	125580019/0	1	Belt Guide	Guidacnghia	Guide De Courroie	Riemenfuehrung	
26	112292102/0	2	Nut	Dado	Ecrou	Mutter	
34	125430238/0	1	Spring	Molla	Ressort	Feder	
35	112731580/0	1	Screw	Vite	Vis	Schraube	
36	112293200/0	1	Hexagonal Nut	Dado	Ecrou	Mutter	
37	112793102/0	2	Screw	Vite	Vis	Schraube	
38	112293201/0	2	Nut	Dado	Ecrou	Mutter	
61	382650045/0	1	Chassis	Chassis	Chassis	Chassis	
62	112792611/0	4	Screw	Vite	Vis	Schraube	
63	112521330/0	2	Washer	Rosetta	Rondelle	Scheibe	
64	112292102/0	4	Nut	Dado	Ecrou	Mutter	
65	112731350/0	2	Screw	Vite	Vis	Schraube	
71	125430257/1	2	Spring	Molla	Ressort	Feder	
73	125943001/1	2	Screw	Vite	Vis	Schraube	
74	112293201/0	2	Nut	Dado	Ecrou	Mutter	
75	112523070/0	2	Washer	Rosetta	Rondelle	Scheibe	
77	382774207/0	1	Seat Clamp Support	Staffa Supporto Sedile	Etrier Support Siege	Bride F. Sitzhalter	
78	112792611/0	2	Screw	Vite	Vis	Schraube	
79	112293201/0	2	Nut	Dado	Ecrou	Mutter	
80	325785149/2	1	Fixed Seat Support	Supporto Sedile Fisso	Support Siege Fixe	Fest Sitzhalter	
81	125430203/1	1	Spring	Molla	Ressort	Feder	
82	112731580/0	1	Screw	Vite	Vis	Schraube	
83	122524970/2	2	Fulcrum Pin	Perno	Pivot	Bolzen	
84	112155010/0	2	Self-Locking Nut	Dado Autobloccante	Écrou auto-bloquant	Selbstsichernde Mutter	
85	325785147/1	1	Seat Support	Supporto Sedile	Support Siege	Sitzhalter	
86	325318109/1	1	Stop Lever	Leva Arresto	Levier D'Arret	Abstellhebel	
87	125510000/0	1	Pin	Perno	Pivot	Bolzen	
88	125430202/1	1	Spring	Molla	Ressort	Feder	
89	112604897/0	2	Elastic Washer	Disco Elastico	Disque Elastique	Federscheibe	
90	125430223/2	1	Spring	Molla	Ressort	Feder	
91	112789000/0	1	Screw	Vite	Vis	Schraube	
92	112154330/0	1	Low Self-Locking Nut	Dado Autobloccante	Écrou auto-bloquant	Selbstsichernde Mutter	
93	325060049/0	1	Seat Switch Cam	Camma Azionamento	Came Interrupteur Siege	Nocken	
94	112815050/0	2	Screw	Vite	Vis	Schraube	
95	112521320/0	4	Washer	Rosetta	Rondelle	Scheibe	
96	112154330/0	2	Low Self-Locking Nut	Dado Autobloccante	Écrou auto-bloquant	Selbstsichernde Mutter	
97	325755025/1	1	Bracket	Staffa	Etrier	Bride	
98	112735110/0	2	Screw	Vite	Vis	Schraube	
99	112437502/0	2	Plate	Piastra	Plaque	Platte	
100	325430255/0	1	Spring	Molla	Ressort	Feder	
101	125510119/0	2	Tie Rod	Tirante	Tirant	Spannstange	
102	124487997/0	2	Cotter Pin	Coppiglia	Goupille	Split	
103	125510040/1	2	Pin	Perno	Pivot	Bolzen	
104	112155000/0	2	Nut	Dado	Ecrou	Mutter	
105	112155000/0	2	Nut	Dado	Ecrou	Mutter	



Body				In parts list notes identify as model with Mono-Light TS			
POS	CODE	Q.TY	DESCRIPTION	DESCRIZIONE	DESCRIPTION	BESCHREIBUNG	NOTES
1	325076871/0	1	Upper Engine Hood, Red	Cofano Superiore Rosso	Capot Rouge	Haubesatz Rot	
2	382394620/0	1	Hood, Right	Cofano Dx	Capot Droit	Haubesatz Richtig	
3	382394621/0	1	Hood, Left	Cofano Sx	Capot Gauche	Haubesatz Verließ	
6	382394618/0	1	Hood, Front	Cofano Frontale	Capot Avant	Vorde Haube	
7	325410878/0	1	Grill	Grill	Grill	Grill	
8	112735403/0	6	Screw	Vite	Vis	Schraube	
9	325076877/0	1	Lower Red Hood, Front	Cofano Frontale Inferiore - Rosso	Capot Avant	Vorde Haube	
10	325108031/0	1	Conveyor	Convogliatore	Convoyeur	Konveyor	
11	382785022/9	1	Right Dashboard Support	Supp. Cruscotto Destro	Support Tableau Droit	Rechter Konsolehalter	
12	382785021/8	1	Left Dashboard Support	Supp. Cruscotto Sinistro	Support Tableau Gauche	Linker Konsolehalter	
13	382785137/0	1	Central Dashboard Support	Supporto Cruscotto Centrale	Support Tableau Centr.	Zentr. Konsole Halter	
14	112735110/0	2	Screw	Vite	Vis	Schraube	
15	112735110/0	4	Screw	Vite	Vis	Schraube	
16	325120197/1	1	Dashboard, Red	Cruscotto, Rosso	Console Rouge	Konsole Rote	
16	325120198/1	1	Black Dashboard	Cruscotto Nero	Console Noir	Konsole Schwarz	
16	325120204/0	1	Dashboard, Red	Cruscotto, Rosso	Console Rouge	Konsole Rote	use only on models with Cruise Control
16	325120205/0	1	Black Dashboard	Cruscotto Nero	Console Noir	Konsole Schwarz	use only on models with Cruise Control
17	112728440/0	4	Screw	Vite	Vis	Schraube	
18	125120200/0	2	Cap	Tappo	Bouchon	Stopfen	
19	125260000/0	2	Grommet	Gommino	Caoutchouc	Gummi	
20	325120234/0	1	Cap	Tappo	Bouchon	Stopfen	
34	125510079/1	2	Pin	Perno	Pivot	Bolzen	
35	112293201/0	2	Nut	Dado	Ecrou	Mutter	
36	124487998/0	1	Cotter Pin	Coppiglia	Goupille	Split	
37	112731350/0	2	Screw	Vite	Vis	Schraube	
38	112521330/0	2	Washer	Rosetta	Rondelle	Scheibe	
49	325120233/0	1	Cap	Tappo	Bouchon	Stopfen	
54	325737002/0	2	Hood	Cuffia	Protecteur	Schutzkasten	
61	325110306/0	1	Cover (Hydro)	Copertura (Hydro)	Couvre (Hydro)	Kappe (Hydro)	
62	125580020/2	1	Pin	Perno	Pivot	Bolzen	
63	325110278/1	1	Right Footboard Cover	Copripedana Destra	Couvre Marchepied Droit	Rechte Fussbrettdeckel	
64	325110279/0	1	Left Footboard Cover	Copripedana Sinistra	Couvre Marchepied Gauche	Linke Fussbrettdeckel	
65	325599000/0	1	Right Profile Grey	Profilo Destro Grigio	Profil Droit Gris	Rechte Profil Grau	
66	325599001/0	1	Left Profil	Profilo Sinistro	Profil Gauche	Link Profil	
67	112731580/0	6	Screw	Vite	Vis	Schraube	
68	325785228/1	1	Dashboard Support	Supporto Cruscotto	Support Tableau Comm	Konsolehalter	
69	112735403/0	7	Screw	Vite	Vis	Schraube	
71	325109744/0	1	Red Wheels Cover	Copertura Ruote Rosso	Couvre Roues Rouge	Radenkappe Rot	
72	112735402/0	4	Screw	Vite	Vis	Schraube	
73	325109747/0	1	Wheels Cover	Copertura Ruote	Couvre-Roues	Radenkappe	
74	325109748/0	1	Left Wheel Cover	Copri ruota Sinistro	Couvre-Roue Gauche	Linke Radkappe	
75	112728686/0	2	Screw	Vite	Vis	Schraube	
76	325207129/0	1	Cover	Copertura	Couvre	kappe	
81	325110302/0	1	Red Grass-Catcher Cover	Copertura Sacco Rosso	Couvre-Bac, Rouge	Sackkappe, Rot	
82	382110255/0	1	Cover Assy	Ass. Cappottina	Ens. Capot	Satz Haube	
84	325394009/0	1	Handle Cover	Coperchio Impugnatura	Couvercle Poignée	Deckel Griff	
85	382110259/0	1	Angles Assy	Assieme Angolari	Corniere Ens.	Winkelprofil	
86	112735403/0	4	Screw	Vite	Vis	Schraube	
101	382869025/0	1	Muffler Protection	Protezione Silenziatore	Protection Silencieux	Auspuffschutz	
102	118737860/0	2	Cap	Tappo	Bouchon	Stopfen	
103	112734995/0	4	Screw	Vite	Vis	Schraube	
104	325547159/1	2	Plate	Piastra	Plaque	Platte	
105	112731580/0	4	Screw	Vite	Vis	Schraube	
106	325774301/2	1	Engine Hood Support	Supporto Cofano	Support Capot	Halter, Haube	
107	112735403/0	5	Screw	Vite	Vis	Schraube	

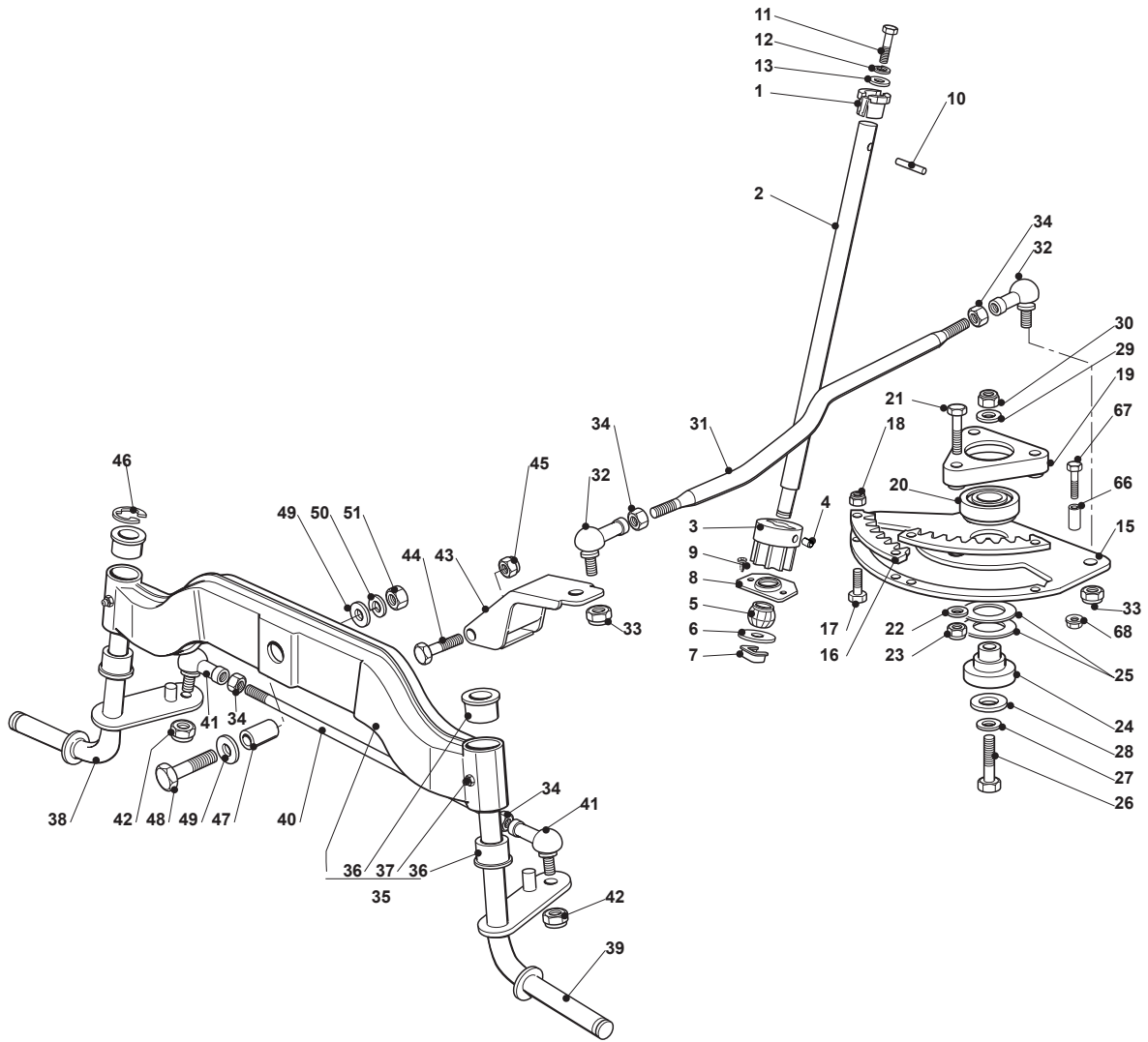


Body							In parts list notes identify as model with Bi-Lights TS	
POS	CODE	Q.TY	DESCRIPTION	DESCRIZIONE	DESCRIPTION	BESCHREIBUNG	NOTES	
1	325076871/0	1	Upper Engine Hood, Red	Cofano Superiore Rosso	Capot Rouge	Haubesatz Rot		
2	382394620/0	1	Hood, Right	Cofano Dx	Capot Droit	Haubesatz Richtig		
3	382394621/0	1	Hood, Left	Cofano Sx	Capot Gauche	Haubesatz Verließ		
4	382394628/0	1	Hood, Front	Cofano Frontale	Capot Avant	Vorde Haube		
5	325410881/0	1	Right Grill	Mascherina Destra	Panneau Droit	Rechte Schutz		
6	325410882/0	1	Left Grill	Mascherina Sinistra	Panneau Gauche	Linke Schutz		
8	112735403/0	6	Screw	Vite	Vis	Schraube		
9	325076877/0	1	Lower Red Hood, Front	Cofano Frontale Inferiore - Rosso	Capot Avant	Vorde Haube		
10	325108031/0	1	Conveyor	Convogliatore	Convoyeur	Konveyor		
11	382785022/9	1	Right Dashboard Support	Supp. Cruscotto Destro	Support Tableau Droit	Rechter Konsolehalter		
12	382785021/8	1	Left Dashboard Support	Supp. Cruscotto Sinistro	Support Tableau Gauche	Linker Konsolehalter		
13	382785137/0	1	Central Dashboard Support	Supporto Cruscotto Centrale	Support Tableau Centr.	Zentr. Konsole Halter		
14	112735110/0	2	Screw	Vite	Vis	Schraube		
15	112735110/0	4	Screw	Vite	Vis	Schraube		
16	325120197/1	1	Dashboard, Red	Cruscotto, Rosso	Console Rouge	Konsole Rote		
16	325120198/1	1	Black Dashboard	Cruscotto Nero	Console Noir	Konsole Schwarz		
16	325120204/0	1	Dashboard, Red	Cruscotto, Rosso	Console Rouge	Konsole Rote	use only on models with Cruise Control	
16	325120205/0	1	Black Dashboard	Cruscotto Nero	Console Noir	Konsole Schwarz	use only on models with Cruise Control	
17	112728440/0	4	Screw	Vite	Vis	Schraube		
18	125120200/0	2	Cap	Tappo	Bouchon	Stopfen		
19	125260000/0	2	Grommet	Gommino	Caoutchouc	Gummi		
20	325120234/0	1	Cap	Tappo	Bouchon	Stopfen		
34	125510068/0	2	Pin	Perno	Pivot	Bolzen		
35	112293201/0	2	Nut	Dado	Ecrou	Mutter		
36	124487998/0	1	Cotter Pin	Coppiglia	Goupille	Split		
37	112731350/0	2	Screw	Vite	Vis	Schraube		
38	112521330/0	2	Washer	Rosetta	Rondelle	Scheibe		
49	325120233/0	1	Cap	Tappo	Bouchon	Stopfen		
54	325737002/0	2	Hood	Cuffia	Protecteur	Schutzkasten		
61	325110306/0	1	Cover (Hydro)	Copertura (Hydro)	Couvre (Hydro)	Kappe (Hydro)		
62	125580020/2	1	Pin	Perno	Pivot	Bolzen		
63	325110278/1	1	Right Footboard Cover	Copripedana Destra	Couvre Marchepied Droit	Rechte Fussbrettdeckel		
64	325110279/0	1	Left Footboard Cover	Copripedana Sinistra	Couvre Marchepied Gauche	Linke Fussbrettdeckel		
65	325599000/0	1	Right Profile Grey	Profilo Destro Grigio	Profil Droit Gris	Rechte Profil Grau		
66	325599001/0	1	Left Profil	Profilo Sinistro	Profil Gauche	Link Profil		
67	112731580/0	6	Screw	Vite	Vis	Schraube		
68	325785228/1	1	Dashboard Support	Supporto Cruscotto	Support Tableau Comm	Konsolehalter		
69	112735403/0	7	Screw	Vite	Vis	Schraube		
71	325109744/0	1	Red Wheels Cover	Copertura Ruote Rosso	Couvre Roues Rouge	Radenkappe Rot		
72	112735402/0	4	Screw	Vite	Vis	Schraube		
73	325109747/0	1	Wheels Cover	Copertura Ruote	Couvre-Roues	Radenkappe		
74	325109748/0	1	Left Wheel Cover	Copriruota Sinistro	Couvre-Roue Gauche	Linke Radkappe		
75	112728686/0	2	Screw	Vite	Vis	Schraube		
76	325207129/0	1	Cover	Copertura	Couvre	kappe		
81	325110302/0	1	Red Grass-Catcher Cover	Copertura Sacco Rosso	Couvre-Bac, Rouge	Sackkappe, Rot		
82	382110255/0	1	Cover Assy	Ass. Cappottina	Ens. Capot	Satz Haube		
84	325394009/0	1	Handle Cover	Coperchio Impugnatura	Couvercle Poignée	Deckel Griff		
85	382110259/0	1	Angles Assy	Assieme Angolari	Corniere Ens.	Winkelprofil		
86	112735403/0	4	Screw	Vite	Vis	Schraube		
101	382869025/0	1	Muffler Protection	Protezione Silenziatore	Protection Silencieux	Auspuffschutz		
102	118737860/0	2	Cap	Tappo	Bouchon	Stopfen		
103	112734995/0	4	Screw	Vite	Vis	Schraube		
104	325547159/1	2	Plate	Piastra	Plaque	Platte		
105	112731580/0	4	Screw	Vite	Vis	Schraube		
106	325774301/2	1	Engine Hood Support	Supporto Cofano	Support Capot	Halter, Haube		
107	112735403/0	5	Screw	Vite	Vis	Schraube		



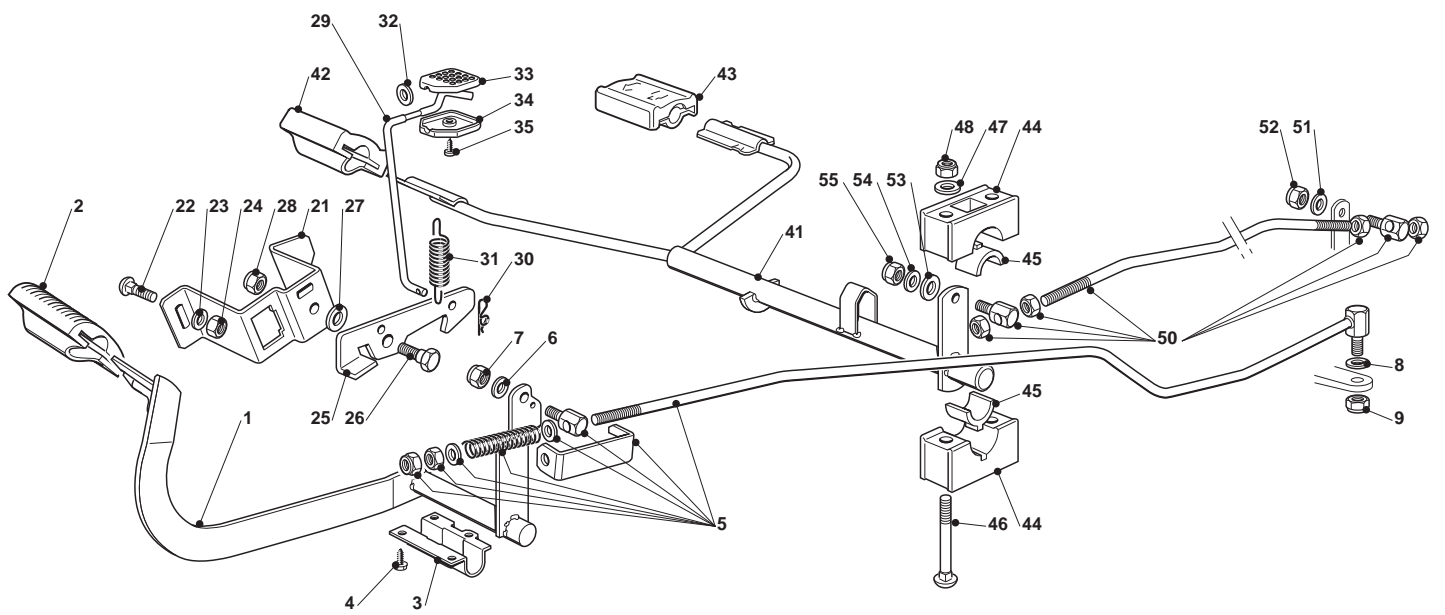
Steering 13"

POS	CODE	Q.TY	DESCRIPTION	DESCRIZIONE	DESCRIPTION	BESCHREIBUNG	NOTES
1	325038004/0	1	Bush	Bussola	Douille	Büchse	
2	125520010/0	1	Steering Column	Piantone Sterzo	Tube De Direction	Lenkungsaeule	
3	125570004/0	1	Pinion	Pignone	Pignon	Ritzel	
4	112714300/0	1	Dowel	Grano	Grain	Stift	
5	325743000/0	1	Joint Tc/Junior	Snodo	Joint	Gelenk	
6	112521370/0	1	Washer	Rosetta	Rondelle	Scheibe	
7	112436030/0	1	Plate	Piastra	Plaque	Platte	
8	325785213/1	1	Support	Supporto	Support	Halter	
9	112729601/1	2	Screw	Vite	Vis	Schraube	
10	112620250/0	1	Pin	Perno	Pivot	Bolzen	
11	112691800/0	1	Screw	Vite	Vis	Schraube	
12	112583500/0	1	Grower	Grower	Grower	Federring	
13	112523060/0	1	Washer	Rosetta	Rondelle	Scheibe	
15	325735523/0	1	Steering Shaft	Settore Sterzo	Secteur Direction	Lenkkranz	
16	325150000/0	2	Rack	Rack	Rack	Rack	
17	112791213/1	4	Screw	Vite	Vis	Schraube	
18	112154510/0	4	Nut	Dado	Ecrou	Mutter	
19	325774453/0	1	Clamp	Staffa	Etrier	Bride	
20	119216047/0	1	Bearing	Cuscinetto	Roul. À Billes	Kugellager	
21	112691100/0	3	Screw	Vite	Vis	Schraube	
22	112523060/0	3	Washer	Rosetta	Rondelle	Scheibe	
23	112155000/0	3	Nut	Dado	Ecrou	Mutter	
24	125510120/0	1	Support	Supporto	Support	Halter	
25	322672153/0	2	Antifriction Washer	Rondella Antifrizione	Rondelle Antifriction	Anti Friktionswäscher	
26	112692395/1	1	#N/D	#N/D	#N/D	#N/D	
27	112523080/0	1	Washer	Rosetta	Rondelle	Scheibe	
28	112521390/0	1	Washer	Rosetta	Rondelle	Scheibe	
29	112523080/0	1	Washer	Rosetta	Rondelle	Scheibe	
30	112156602/0	1	Nut	Dado	Ecrou	Mutter	
31	125033003/1	1	Steering Rod	Asta Comando Sterzo	Levier Barre De Direction	Lenkungsstab	
32	122746609/0	2	Joint	Snodo	Joint	Gelenk	
33	112156602/0	4	Nut	Dado	Ecrou	Mutter	
34	112295201/0	4	Nut	Dado	Ecrou	Mutter	
35	382034001/3	1	Equalizer With Bush And Lubricator	Bilanciere Con Boccola Ed Ingrassatore	Balancier Avec Douille Et Graisseur	Kipphebel Mit Büchse Und Fettbüchse	
36	125034002/1	4	Bush	Bussola	Douille	Büchse	
37	112379511/0	2	Grease Dispenser	Ingrassatore	Graisseur	Fettbüchse	
38	382230349/0	1	Right Stub Axle	Fusello Destro	Fuseau Droit	Rechter Achsschenkel	
39	382230348/0	1	Left Stub Axle	Fusello Sinistro	Fuseau Gauche	Linker Achsschenkel	
40	325840001/0	1	Tie Rod	Tirante	Tirant	Spannstange	
41	122746600/0	2	Joint	Snodo	Joint	Gelenk	
42	112156602/0	2	Nut	Dado	Ecrou	Mutter	
43	382318101/0	1	Lever Ass.Y	Assieme Leva	Ens. Levier	Schneidwerkzeug Aufhebenhebe	
44	112691700/0	1	Screw	Vite	Vis	Schraube	
45	112155000/0	1	Nut	Dado	Ecrou	Mutter	
46	112001000/0	1	Benzing Ring	Anello Benzing	Anneau Benzing	Ring Benzing	
47	125160005/0	1	Spacer	Distanziale	Entretoise	Distanzring	
48	112694100/0	1	Screw	Vite	Vis	Schraube	
49	112521390/0	2	Washer	Rosetta	Rondelle	Scheibe	
50	112587900/0	1	Grower	Grower	Grower	Federring	
51	112295800/0	1	Hexagonal Nut	Dado	Ecrou	Mutter	
52	122746616/0	2	Joint	Snodo	Joint	Gelenk	

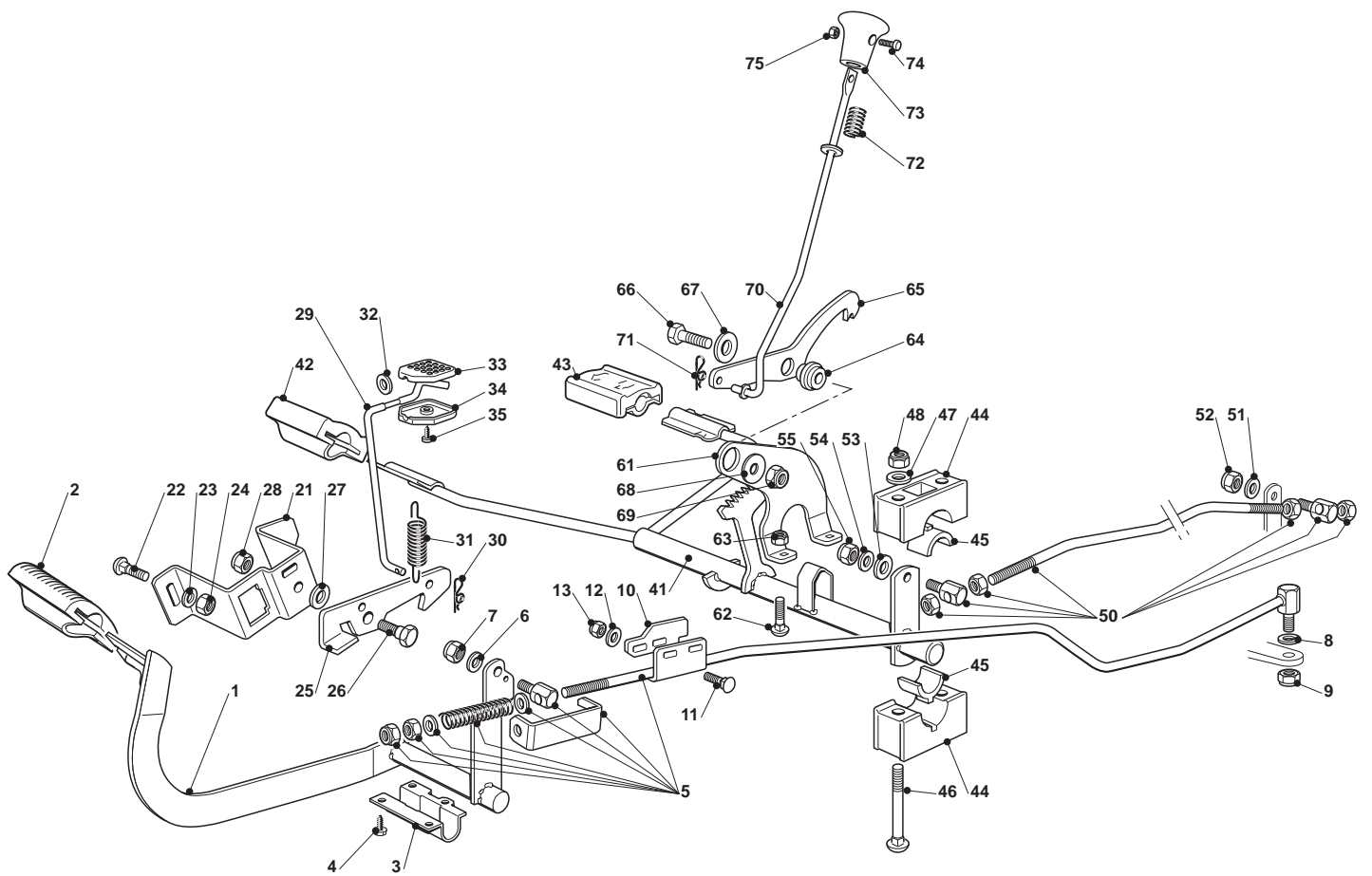


Steering 15"

POS	CODE	Q.TY	DESCRIPTION	DESCRIZIONE	DESCRIPTION	BESCHREIBUNG	NOTES
1	325038004/0	1	Bush	Bussola	Douille	Büchse	
2	125520010/0	1	Steering Column	Piantone Sterzo	Tube De Direction	Lenkungsaeule	
3	125570004/0	1	Pinion	Pignone	Pignone	Ritzel	
4	112714300/0	1	Dowel	Grano	Grain	Stift	
5	325743000/0	1	Joint Tc/Junior	Snodo	Joint	Gelenk	
6	112521370/0	1	Washer	Rosetta	Rondelle	Scheibe	
7	112436030/0	1	Plate	Piastra	Plaque	Platte	
8	325785213/1	1	Support	Supporto	Support	Halter	
9	112729601/1	2	Screw	Vite	Vis	Schraube	
10	112620250/0	1	Pin	Perno	Pivot	Bolzen	
11	112691800/0	1	Screw	Vite	Vis	Schraube	
12	112583500/0	1	Grower	Grower	Grower	Federring	
13	112523060/0	1	Washer	Rosetta	Rondelle	Scheibe	
15	325735523/0	1	Steering Shaft	Settore Sterzo	Secteur Direction	Lenkkranz	
16	325150000/0	2	Rack	Rack	Rack	Rack	
17	112791213/1	4	Screw	Vite	Vis	Schraube	
18	112154510/0	4	Nut	Dado	Ecrou	Mutter	
19	325774453/0	1	Clamp	Staffa	Etrier	Bride	
20	119216047/0	1	Bearing	Cuscinetto	Roul. À Billes	Kugellager	
21	112691100/0	3	Screw	Vite	Vis	Schraube	
22	112523060/0	3	Washer	Rosetta	Rondelle	Scheibe	
23	112155000/0	3	Nut	Dado	Ecrou	Mutter	
24	125510120/0	1	Support	Supporto	Support	Halter	
25	322672153/0	2	Antifriction Washer	Rondella Antifrizione	Rondelle Antifriction	Anti Friktionswäscher	
26	112692395/1	1	Screw	Vite	Vis	Schraube	
27	112523080/0	1	Washer	Rosetta	Rondelle	Scheibe	
28	112521390/0	1	Washer	Rosetta	Rondelle	Scheibe	
29	112523080/0	1	Washer	Rosetta	Rondelle	Scheibe	
30	112156602/0	1	Nut	Dado	Ecrou	Mutter	
31	125033003/1	1	Steering Rod	Asta Comando Sterzo	Barre De Direction	Lenkungsstab	
32	122746600/0	2	Joint	Snodo	Joint	Gelenk	
32	122746616/0	2	Joint	Snodo	Joint	Gelenk	
33	122746609/0	2	Joint	Snodo	Joint	Gelenk	
34	112156602/0	4	Nut	Dado	Ecrou	Mutter	
35	382034001/3	1	Equalizer With Bush And Lubricator	Bilanciere Con Boccola Ed Ingrassatore	Balancier Avec Douille Et Graisseur	Kipphebel Mit Büchse Und Fettbüchse	
36	125034002/1	4	Bush	Bussola	Douille	Büchse	
37	112379511/0	2	Grease Dispenser	Ingrassatore	Graisseur	Fettbüchse	
38	382230361/1	1	Right Stub Axle	Fusello Destro	Fuseau Droit	Rechter Achsschenkel	
39	382230359/1	1	Left Stub Axle	Fusello Sinistro	Fuseau Gauche	Linker Achsschenkel	
40	325840001/0	1	Tie Rod	Tirante	Tirant	Spannstange	
41	122746616/0	2	Joint	Snodo	Joint	Gelenk	
42	112156602/0	2	Nut	Dado	Ecrou	Mutter	
43	382318185/0	1	Lever Ass.Y	Assieme Leva	Ens. Levier	Schneidwerkzeug Aufhebenhebe	
44	112692395/1	1	Screw	Vite	Vis	Schraube	
45	112156602/0	1	Nut	Dado	Ecrou	Mutter	
46	112001000/0	1	Benzing Ring	Anello Benzing	Anneau Benzing	Ring Benzing	
47	125160005/0	1	Spacer	Distanziale	Entretoise	Distanzring	
48	112694100/0	1	Screw	Vite	Vis	Schraube	
49	112521390/0	2	Washer	Rosetta	Rondelle	Scheibe	
50	112587900/0	1	Grower	Grower	Grower	Federring	
51	112295800/0	1	Hexagonal Nut	Dado	Ecrou	Mutter	
66	122167840/0	1	Spacer	Distanziale	Entretoise	Distanzring	
67	112691200/0	1	Screw	Vite	Vis	Schraube	
68	112293201/0	1	Nut	Dado	Ecrou	Mutter	



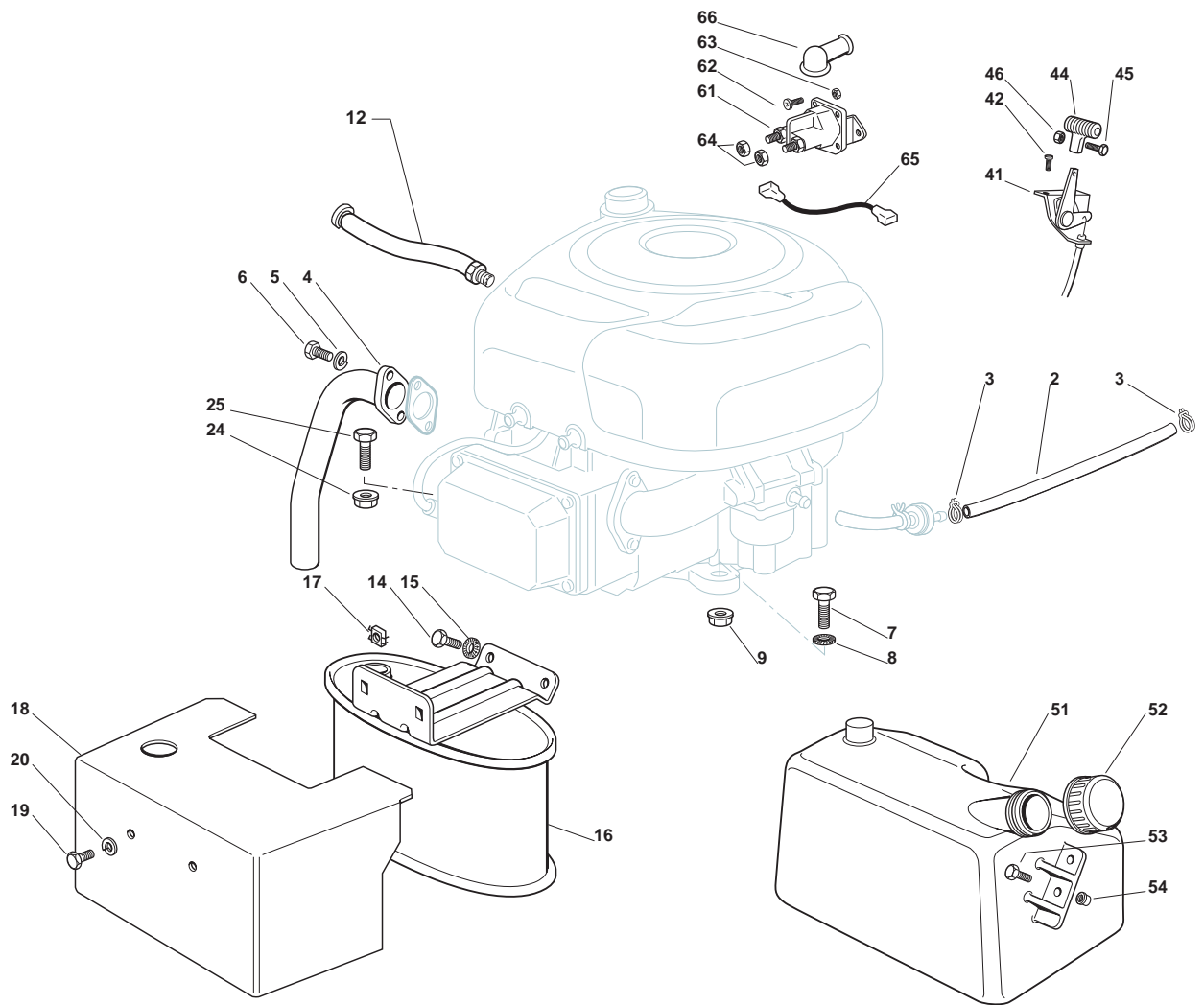
Drive And Brake Controls							
POS	CODE	Q.TY	DESCRIPTION	DESCRIZIONE	DESCRIPTION	BESCHREIBUNG	NOTES
1	382500011/2	1	Pedal	Pedale	Pedal	Pedal	
2	325110416/0	1	Clamp Cover	Copristaffa	Couvre Etrier	Bridedeckel	
3	325547081/2	1	Plate	Piastra	Plaque	Platte	
4	112731601/0	4	Screw	Vite	Vis	Schraube	
5	382000582/0	1	Rod	Asta	Tige	Stange	
6	112521350/0	1	Washer	Rosetta	Rondelle	Scheibe	
7	112155000/0	1	Nut	Dado	Ecrou	Mutter	
8	112521360/0	2	Washer	Rosetta	Rondelle	Scheibe	
9	112155000/0	1	Nut	Dado	Ecrou	Mutter	
21	325785143/1	1	Support	Supporto	Support	Halter	
22	112815210/0	2	Screw	Vite	Vis	Schraube	
23	112523040/0	1	Washer	Rosetta	Rondelle	Scheibe	
24	112154510/0	2	Nut	Dado	Ecrou	Mutter	
25	325253001/0	1	Hook	Gancio	Accrochage	Haken	
26	122524970/2	1	Fulcrum Pin	Perno Fulcro	Pivot	Gelenkpunkt	
27	325670011/0	1	Antifriction Washer	Rondella Antifrizione	Rondelle Antifriction	Anti Friktionswäscher	
28	112155000/0	1	Nut	Dado	Ecrou	Mutter	
29	125033097/0	1	Rod	Asta	Tige	Stange	
30	124487997/0	1	Cotter Pin	Coppiglia	Goupille	Split	
31	125430213/0	1	Spring	Molla	Ressort	Feder	
32	112523040/0	1	Washer	Rosetta	Rondelle	Scheibe	
33	325592001/0	1	Knob	Manopola	Poignee	Knopf	
34	325592002/0	1	Knob	Manopola	Poignee	Knopf	
35	112727815/0	1	Screw	Vite	Vis	Schraube	
41	382000391/0	1	Drive Pedal	Pedale Avanzamento	Pedale Transmission	Getriebepedal	
42	325110417/0	1	Clamp Cover Front	Copristaffa Anteriore	Couvre Etrier Avant	Bridedeckel Vorde	
43	325110418/0	1	Clamp Cover Rear	Copristaffa Posteriore	Couvre Etrier Arriere	Bridedeckel Hinter	
44	325785354/0	4	Support	Supporto	Support	Halter	
45	325034003/0	4	Brass	Bronzina	Douille	Buchse	
46	112815271/0	4	Screw	Vite	Vis	Schraube	
47	112523040/0	4	Washer	Rosetta	Rondelle	Scheibe	
48	112154510/0	4	Nut	Dado	Ecrou	Mutter	
50	382000579/0	1	Rod	Asta	Tige	Stange	
51	112523040/0	1	Washer	Rosetta	Rondelle	Scheibe	
52	112154510/0	1	Nut	Dado	Ecrou	Mutter	
53	112521360/0	1	Washer	Rosetta	Rondelle	Scheibe	
54	112523040/0	1	Washer	Rosetta	Rondelle	Scheibe	
55	112154510/0	1	Nut	Dado	Ecrou	Mutter	



Drive And Brake Controls

 In parts list notes identify as models with **Cruise Control**

POS	CODE	Q.TY	DESCRIPTION	DESCRIZIONE	DESCRIPTION	BESCHREIBUNG	NOTES
1	382500011/2	1	Pedal	Pedale	Pedal	Pedal	
2	325110416/0	1	Clamp Cover	Copristaffa	Couvre Etrier	Bridedeckel	
3	325547081/2	1	Plate	Piastra	Plaque	Platte	
4	112731601/0	4	Screw	Vite	Vis	Schraube	
5	382000626/0	1	Brake Rod Assy	Asta Comando Freno	Tige Commande Frein	Brake Control Ass.Y	
6	112521350/0	1	Washer	Rosetta	Rondelle	Scheibe	
7	112155000/0	1	Nut	Dado	Ecrou	Mutter	
8	112521360/0	2	Washer	Rosetta	Rondelle	Scheibe	
9	112155000/0	1	Nut	Dado	Ecrou	Mutter	
10	325547281/1	1	Plate	Piastra	Plaque	Platte	
11	112815210/0	2	Screw	Vite	Vis	Schraube	
12	112523040/0	2	Washer	Rosetta	Rondelle	Scheibe	
13	112154510/0	2	Nut	Dado	Ecrou	Mutter	
21	325785143/1	1	Support	Supporto	Support	Halter	
22	112815210/0	2	Screw	Vite	Vis	Schraube	
23	112523040/0	1	Washer	Rosetta	Rondelle	Scheibe	
24	112154510/0	2	Nut	Dado	Ecrou	Mutter	
25	325253001/0	1	Hook	Gancio	Accrochage	Haken	
26	122524970/2	1	Fulcrum Pin	Perno Fulcro	Pivot	Gelenkpunkt	
27	325670011/0	1	Antifriction Washer	Rondella Antifrizione	Rondelle Antifriction	Anti Friktionswäscher	
28	112155000/0	1	Nut	Dado	Ecrou	Mutter	
29	125033097/0	1	Rod	Asta	Tige	Stange	
30	124487997/0	1	Cotter Pin	Coppiglia	Goupille	Split	
31	125430213/0	1	Spring	Molla	Ressort	Feder	
32	112523040/0	1	Washer	Rosetta	Rondelle	Scheibe	
33	325592001/0	1	Knob	Manopola	Poignee	Knopf	
34	325592002/0	1	Knob	Manopola	Poignee	Knopf	
35	112727815/0	1	Screw	Vite	Vis	Schraube	
41	382000389/0	1	Drive Pedal	Pedale Avanzamento	Pedale Transmission	Getriebepedal	
42	325110417/0	1	Clamp Cover Front	Copristaffa Anteriore	Couvre Etrier Avant	Bridedeckel Vorde	
43	325110418/0	1	Clamp Cover Rear	Copristaffa Posteriore	Couvre Etrier Arriere	Bridedeckel Hinter	
44	325785354/0	4	Support	Supporto	Support	Halter	
45	325034003/0	4	Brass	Bronzina	Douille	Buchse	
46	112815271/0	4	Screw	Vite	Vis	Schraube	
47	112523040/0	4	Washer	Rosetta	Rondelle	Scheibe	
48	112154510/0	4	Nut	Dado	Ecrou	Mutter	
50	382000579/0	1	Rod	Asta	Tige	Stange	
51	112523040/0	1	Washer	Rosetta	Rondelle	Scheibe	
52	112154510/0	1	Nut	Dado	Ecrou	Mutter	
53	112521360/0	1	Washer	Rosetta	Rondelle	Scheibe	
54	112523040/0	1	Washer	Rosetta	Rondelle	Scheibe	
55	112154510/0	1	Nut	Dado	Ecrou	Mutter	
61	325774477/0	1	Clamp	Staffa	Etrier	Bride	
62	112815210/0	2	Screw	Vite	Vis	Schraube	
63	112292102/0	2	Nut	Dado	Ecrou	Mutter	
64	125040638/0	1	Bushing	Boccola	Douille	Büchse	
65	325022000/1	1	Hook	Gancio	Accrochage	Haken	
66	112691100/0	1	Screw	Vite	Vis	Schraube	
67	112523060/0	1	Washer	Rosetta	Rondelle	Scheibe	
68	322672152/0	1	Antifriction Washer	Rondella Antifrizione	Rondelle Antifriction	Anti Friktionswäscher	
69	112155000/0	1	Nut	Dado	Ecrou	Mutter	
70	125033091/0	1	Rod	Asta	Tige	Stange	
71	124487995/0	1	Cotter Pin	Coppiglia	Goupille	Split	
72	125430232/0	1	Spring	Molla	Ressort	Feder	
73	325605002/0	1	Button	Pulsante	Bouton	Druckknopf	
74	112726389/0	1	Screw	Vite	Vis	Schraube	
75	112290800/0	1	Hexagonal Nut	Dado	Ecrou	Mutter	



Engine - B&S 10.5 - 11.5 - 12.5 - 13.5 HP

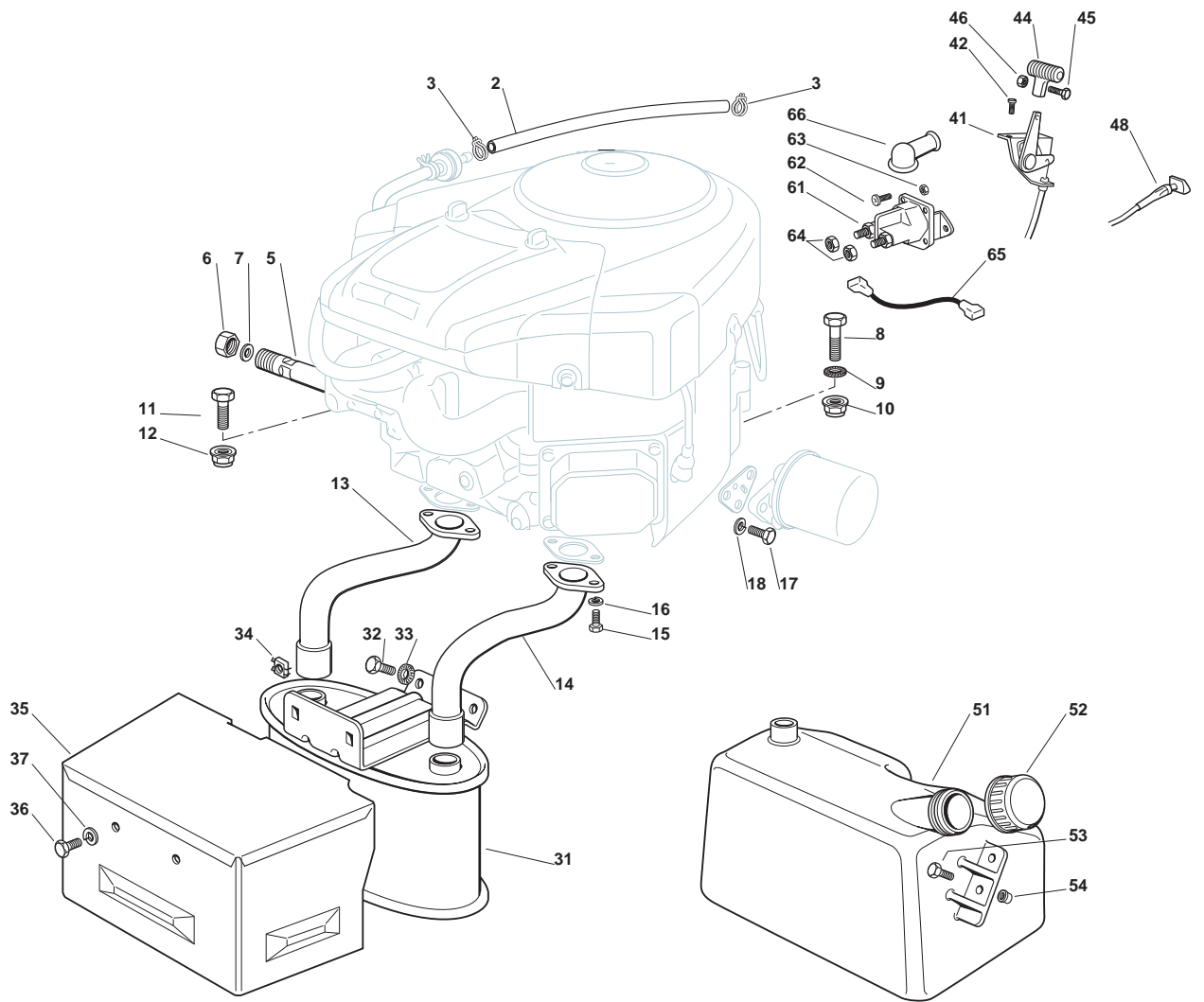
POS	CODE	Q.TY	DESCRIPTION	DESCRIZIONE	DESCRIPTION	BESCHREIBUNG	NOTES
2	325869016/1	1	Connecting Tube	Tubo Collegamento	Tube De Connexion	Verbindungsrohr	
3	118375051/1	2	Fair Led	Fascetta	Collier	Rohrschelle	
4	118738224/0	1	Exhaust Conn. Tube	Exhaust Conn. Tube	Exhaust Conn. Tube	Exhaust Conn. Tube	
5	112583500/0	2	Grower	Grower	Grower	Federring	
6	112735530/0	2	Screw	Vite	Vis	Schraube	
7	112691115/0	1	Screw	Vite	Vis	Schraube	
8	112540260/0	1	Grower	Grower	Grower	Federring	
9	112154210/0	1	Self-Locking Nut	Dado Autobloccante	Écrou auto-bloquant	Selbstsichernde Mutter	
12	1134-5827-01	1	Oil Drain Assy	Oil Drain Assy	Oil Drain Assy	Oil Drain Assy	
14	112793102/0	2	Screw	Vite	Vis	Schraube	
15	112540260/0	2	Grower	Grower	Grower	Federring	
16	182750010/0	1	Muffler	Silenziatore	Silencieux	Set Schalldämpfer	
17	112360425/0	2	Nut	Dado	Ecrou	Mutter	
18	382598009/2	1	Muffler Protection	Protezione Silenziatore	Protection Silencieux	Auspuffschutz	
19	112792611/0	2	Screw	Vite	Vis	Schraube	
20	112583500/0	2	Grower	Grower	Grower	Federring	
24	112154210/0	3	Self-Locking Nut	Dado Autobloccante	Écrou auto-bloquant	Selbstsichernde Mutter	
25	112691100/0	3	Screw	Vite	Vis	Schraube	
41	182000200/1	1	Throttle Cable	Cavo Acceleratore	Câble Accélérateur	Gashebel Kabel	
42	125943012/0	2	Screw	Vite	Vis	Schraube	
44	325592000/0	1	Knob	Manopolina	Poignée	Griff	
45	112726388/0	1	Screw	Vite	Vis	Schraube	
46	112290800/0	1	Hexagonal Nut	Dado	Ecrou	Mutter	
51	125735110/3	1	Tank	Serbatoio	Réservoir à carburant	Treibstofftank	
52	125795000/1	1	Fuel Cap	Tappo Serbatoio	Bouchon Reservoir	Tank Einfüllstopfen	
53	112788910/0	2	Screw	Vite	Vis	Schraube	
54	112500092/0	2	Rivet	Rivetto	Rivet	Niet	
61	118736110/0	1	Starter Relay	Relé Avviamento	Relais D'Allumage	Anlassrelais	
62	112791011/0	2	Screw	Vite	Vis	Schraube	
63	112292102/0	2	Nut	Dado	Ecrou	Mutter	
64	112360352/0	2	Nut	Dado	Ecrou	Mutter	
65	125065017/0	1	Cable	Cable	Cable	Cable	
66	118564861/1	1	Protection	Protezione	Protection	Schutz	

Engine - B&S 15,5-18,5 Hp

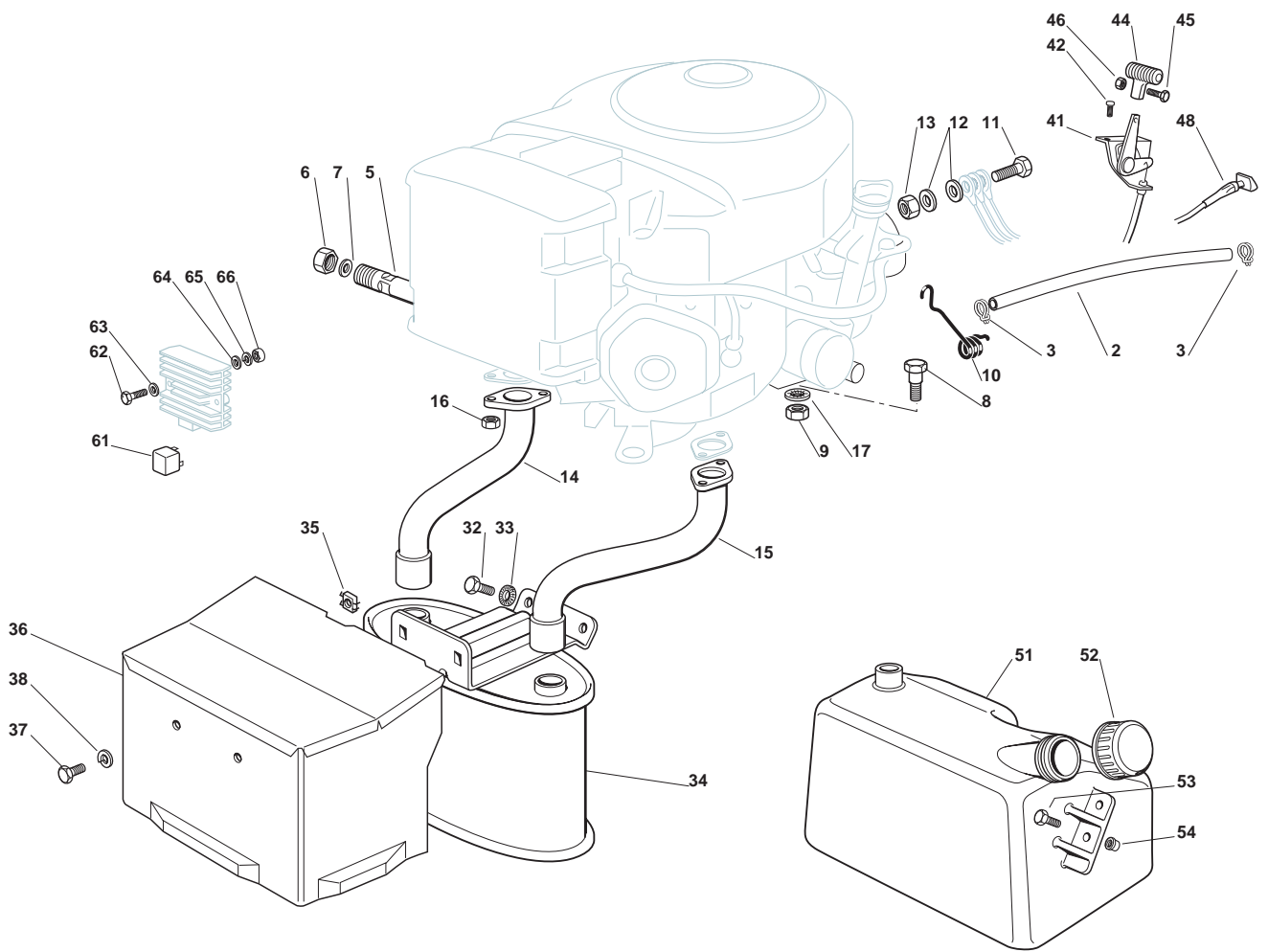
POS	CODE	Q.TY	DESCRIPTION	DESCRIZIONE	DESCRIPTION	BESCHREIBUNG	NOTES
2	325869016/1	1	Connecting Tube	Tubo Collegamento	Tube De Connexion	Verbindungsrohr	
3	118375051/1	2	Fair Led	Fascetta	Collier	Rohrschelle	
6	1134-5827-01	1	Oil Drain Assy	Oil Drain Assy	Oil Drain Assy	Oil Drain Assy	
8	112691100/0	3	Screw	Vite	Vis	Schraube	
9	112540260/0	1	Grower	Grower	Grower	Federring	
10	112154210/0	1	Self-Locking Nut	Dado Autobloccante	Écrou auto-bloquant	Selbstsichernde Mutter	
11	112154210/0	3	Self-Locking Nut	Dado Autobloccante	Écrou auto-bloquant	Selbstsichernde Mutter	
12	118738206/0	1	Discharged Connect.Tube	Discharged Connect.Tube	Discharged Connect.Tube	Discharged Connect.Tube	
13	112583500/0	2	Grower	Grower	Grower	Federring	
14	112735530/0	2	Screw	Vite	Vis	Schraube	
15	112691115/0	1	Screw	Vite	Vis	Schraube	
31	182750010/0	1	Muffler	Silenziatore	Silencieux	Set Schalldämpfer	
32	112793102/0	2	Screw	Vite	Vis	Schraube	
33	112540260/0	2	Grower	Grower	Grower	Federring	
34	112360425/0	2	Nut	Dado	Ecrou	Mutter	
35	382598009/2	1	Muffler Protection	Protezione Silenziatore	Protection Silencieux	Auspuffschutz	
36	112792611/0	2	Screw	Vite	Vis	Schraube	
37	112583500/0	2	Grower	Grower	Grower	Federring	
41	182000200/1	1	Throttle Cable	Cavo Acceleratore	Câble Accélérateur	Gashebel Kabel	
42	125943012/0	2	Screw	Vite	Vis	Schraube	
44	325592000/0	1	Knob	Manopolina	Poignée	Griff	
45	112726388/0	1	Screw	Vite	Vis	Schraube	
46	112290800/0	1	Hexagonal Nut	Dado	Ecrou	Mutter	
51	125735110/3	1	Tank	Serbatoio	Réservoir à carburant	Treibstofftank	Without Fuel level gauge
51	325735111/3	1	Tank	Serbatoio	Réservoir à carburant	Treibstofftank	With Fuel level gauge
52	125795000/1	1	Fuel Cap	Tappo Serbatoio	Bouchon Reservoir	Tank Einfüllstopfen	
53	112788910/0	2	Screw	Vite	Vis	Schraube	
54	112500092/0	2	Rivet	Rivetto	Rivet	Niet	
61	118736110/0	1	Starter Relay	Relé Avviamento	Relais D'Allumage	Anlassrelais	
62	112791011/0	2	Screw	Vite	Vis	Schraube	
63	112292102/0	2	Nut	Dado	Ecrou	Mutter	
64	112360352/0	2	Nut	Dado	Ecrou	Mutter	
65	125065017/0	1	Cable	Cable	Cable	Cable	
66	118564861/1	1	Protection	Protezione	Protection	Schutz	

Engine - B&S 20 - 22 - 24 HP

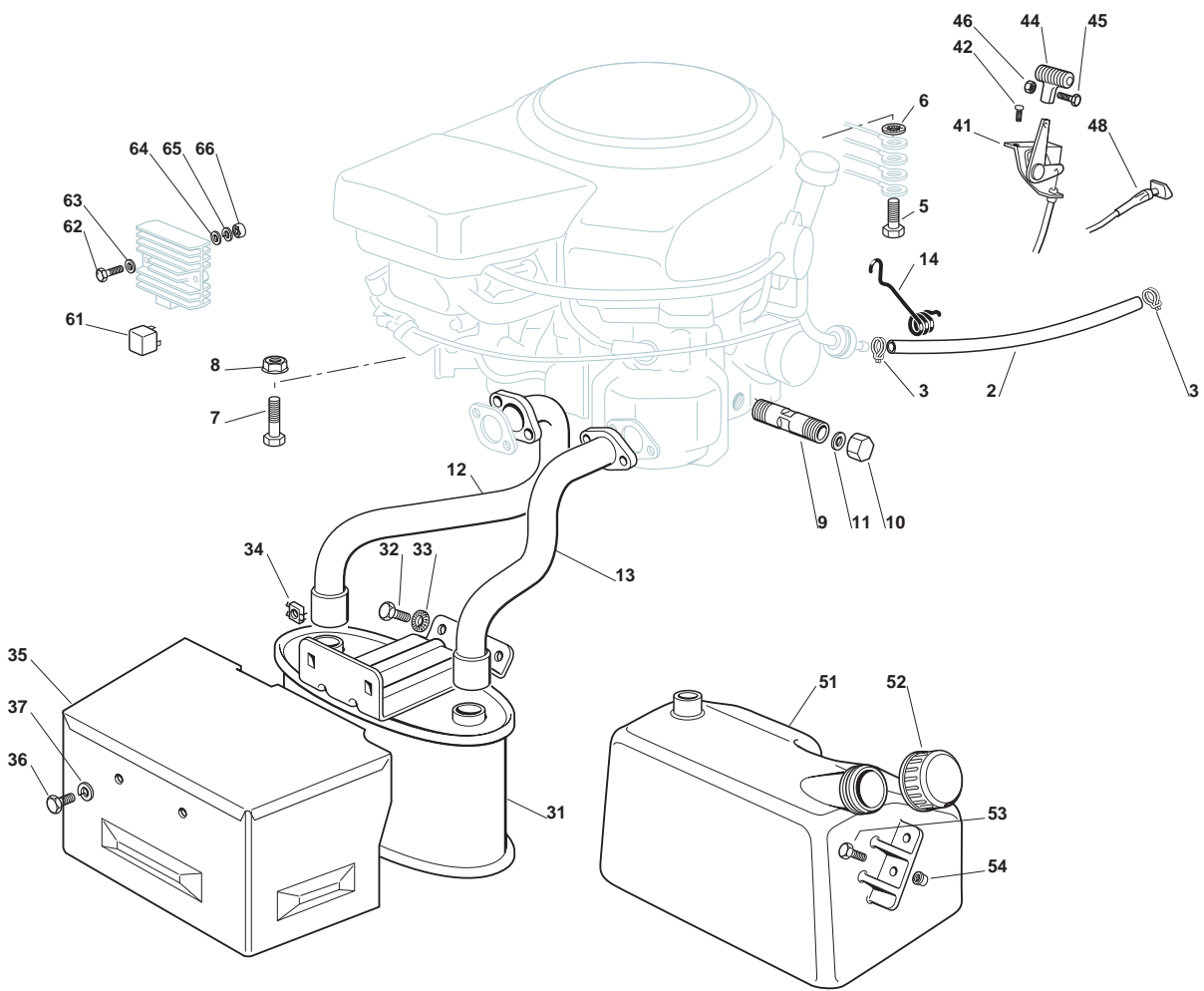
POS	CODE	Q.TY	DESCRIPTION	DESCRIZIONE	DESCRIPTION	BESCHREIBUNG	NOTES
2	325869016/1	1	Connecting Tube	Tubo Collegamento	Tube De Connexion	Verbindungsrohr	
3	118375051/1	2	Fair Led	Fascetta	Collier	Rohrschelle	
4	1134-5827-01	1	Oil Drain Assy	Oil Drain Assy	Oil Drain Assy	Oil Drain Assy	
8	112691115/0	1	Screw	Vite	Vis	Schraube	
9	112540260/0	1	Grower	Grower	Grower	Federring	
10	112154210/0	1	Self-Locking Nut	Dado Autobloccante	Écrou auto-bloquant	Selbstsichernde Mutter	
11	112691100/0	3	Screw	Vite	Vis	Schraube	
12	112154210/0	3	Self-Locking Nut	Dado Autobloccante	Écrou auto-bloquant	Selbstsichernde Mutter	
13	118738214/0	1	Exhaust Discharge Dx	Exhaust Discharge Dx	Exhaust Discharge Dx	Exhaust Discharge Dx	
14	118738215/0	1	Exhaust Tube Left	Tubo Scarico Sinistro	Tube Echappement Gauche	Abgasrohr, Linke	
15	112735530/0	4	Screw	Vite	Vis	Schraube	
16	112583500/0	4	Grower	Grower	Grower	Federring	
17	112791400/0	3	Screw	Vite	Vis	Schraube	
18	112582100/0	3	Grower	Grower	Grower	Federring	
31	182750011/0	1	Single-Cylinder Muffler	Silenziatore Monocilindro	Silencieux Monocylindrique	Einzyylinder-Imasaf Schalldämpfer	
32	112793102/0	2	Screw	Vite	Vis	Schraube	
33	112540260/0	2	Grower	Grower	Grower	Federring	
34	112360425/0	2	Nut	Dado	Ecrou	Mutter	
35	382598005/2	1	Muffler Protection	Protezione Silenziatore	Protection Silencieux	Auspuffschutz	
36	112792611/0	2	Screw	Vite	Vis	Schraube	
37	112583500/0	2	Grower	Grower	Grower	Federring	
41	182000211/1	1	Accelerator	Acceleratore	Accelérateur	Gas Zug	
42	125943012/0	2	Screw	Vite	Vis	Schraube	
44	325592000/0	1	Knob	Manopolina	Poignée	Griff	
45	112726388/0	1	Screw	Vite	Vis	Schraube	
46	112290800/0	1	Hexagonal Nut	Dado	Ecrou	Mutter	
48	125090001/2	1	Choke Control	Choke Control	Choke Control	Choke Control	
51	325735111/3	1	Tank	Serbatoio	Réservoir à carburant	Treibstofftank	
52	125795000/1	1	Fuel Cap	Tappo Serbatoio	Bouchon Reservoir	Tank Einfüllstopfen	
53	112788910/0	2	Screw	Vite	Vis	Schraube	
54	112500092/0	2	Rivet	Rivetto	Rivet	Niet	
61	118736110/0	1	Starter Relay	Relé Avviamento	Relais D'Allumage	Anlassrelais	
62	112791011/0	2	Screw	Vite	Vis	Schraube	
63	112292102/0	2	Nut	Dado	Ecrou	Mutter	
64	112360352/0	2	Nut	Dado	Ecrou	Mutter	
65	125065017/0	1	Cable	Cable	Cable	Cable	
66	118564861/1	1	Protection	Protezione	Protection	Schutz	



Engine - GGP							
POS	CODE	Q.TY	DESCRIPTION	DESCRIZIONE	DESCRIPTION	BESCHREIBUNG	NOTES
2	325869057/0	1	Connecting Tube	Tubo Collegamento	Tube De Connexion	Verbindungsrohr	
3	118375051/1	4	Fair Led	Fascetta	Collier	Rohrschelle	
4	118738231/1	1	Exhaust Tube	Tubo Scarico	Tube Echappement	Abgasungrohr	
5	112583500/0	2	Grower	Grower	Grower	Federring	
6	112737450/0	2	Screw	Vite	Vis	Schraube	
7	112735108/1	4	Screw	Vite	Vis	Schraube	
8	112735599/0	1	Screw	Vite	Vis	Schraube	
10	127598060/0	1	Oil Discharge Extension	Prolunga Scarico Olio	Rallonge Dechargement Huile	Öl Abfluss	
11	118737849/0	1	Plug	Tappo	Bouchon	Stopfen	
12	118401001/1	1	Oil Seal	Anello Di Tenuta	Anneau De Tenue	Dichtring	
14	112793102/0	2	Screw	Vite	Vis	Schraube	
15	112540260/0	2	Grower	Grower	Grower	Federring	
16	182750010/0	1	Muffler	Silenziatore	Silencieux	Set Schalldämpfer	
17	112360425/0	2	Nut	Dado	Ecrou	Mutter	
18	382598039/0	1	Guard	Protezione	Protection	Schutz	
19	112792611/0	2	Screw	Vite	Vis	Schraube	
20	112583500/0	2	Grower	Grower	Grower	Federring	
41	182000212/0	1	Accelerator	Acceleratore	Accelérateur	Gas Zug	
42	125943012/0	2	Screw	Vite	Vis	Schraube	
44	325592000/0	1	Knob	Manopola	Poignee	Knopf	
45	112726388/0	1	Screw	Vite	Vis	Schraube	
46	112290800/0	1	Hexagonal Nut	Dado	Ecrou	Mutter	
51	125735110/3	1	Tank	Serbatoio	Réservoir à carburant	Treibstofftank	Without Fuel level gauge
51	325735111/3	1	Tank	Serbatoio	Réservoir à carburant	Treibstofftank	With Fuel level gauge
52	125795000/1	1	Fuel Cap	Tappo Miscela	Bouhcon Mélange	Deckel Treibstoff	
53	112788910/0	2	Screw	Vite	Vis	Schraube	
54	112500092/0	2	Rivet	Rivetto	Rivet	Niet	
61	118736110/0	1	Starter Relay	Relé Avviamento	Relais D'Allumage	Anlassrelais	
62	112791011/0	2	Screw	Vite	Vis	Schraube	
63	112292102/0	2	Nut	Dado	Ecrou	Mutter	
64	112360352/0	2	Nut	Dado	Ecrou	Mutter	
65	125065017/0	1	Cable	Cable	Cable	Cable	
66	118564861/1	1	Protection	Protezione	Protection	Schutz	

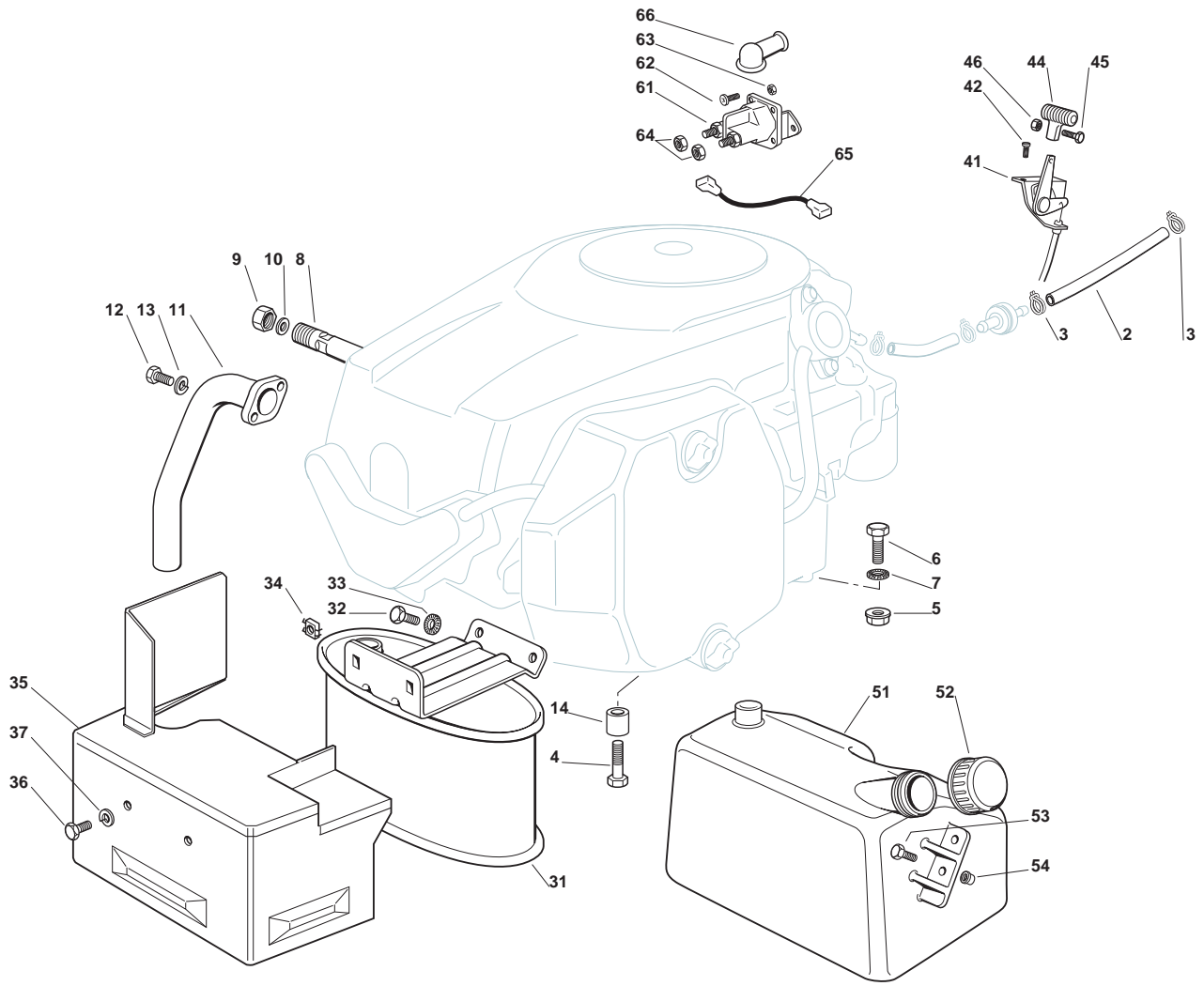


Engine - Honda GCV530							
POS	CODE	Q.TY	DESCRIPTION	DESCRIZIONE	DESCRIPTION	BESCHREIBUNG	NOTES
2	325869027/1	1	Connecting Tube	Tubo Collegamento	Tube De Connexion	Verbindungsrohr	
3	118375051/1	2	Fair Led	Fascetta	Collier	Rohrschelle	
5	112735599/0	1	Screw	Vite	Vis	Schraube	
6	112540260/0	1	Grower	Grower	Grower	Federring	
7	112691115/0	4	Screw	Vite	Vis	Schraube	
8	112154210/0	4	Self-Locking Nut	Dado Autobloccante	Écrou auto-bloquant	Selbstsichernde Mutter	
9	125598052/0	1	Oil Discharge Extention	Prolunga Scarico Olio	Rallonge Dechargement Huile	Öl Abfluss	
10	118737849/0	1	Plug	Tappo	Bouchon	Stopfen	
11	118401001/1	1	Oil Seal	Anello Di Tenuta	Anneau De Tenue	Dichtring	
12	118738221/0	1	Exhaust Tube Right	Tubo Scarico Destro	Tube Echappement Droit	Abgasrohr, Rechte	
13	118738222/0	1	Right Exhaust Connection	Raccordo Scarico Destro	Connexion Echappement Droite	Auspuffanschluss, Rechte	
14	127430562/0	1	Spring	Molla	Ressort	Feder	
31	182750003/0	1	Muffler Assy	Ass. Silenziatore	Silencieux	Set Schalldämpfer	
32	112793102/0	2	Screw	Vite	Vis	Schraube	
33	112540260/0	2	Grower	Grower	Grower	Federring	
34	112360425/0	2	Nut	Dado	Ecrou	Mutter	
35	382598005/2	1	Muffler Protection	Protezione Silenziatore	Protection Silencieux	Auspuffschutz	
36	112792611/0	2	Screw	Vite	Vis	Schraube	
37	112583500/0	2	Grower	Grower	Grower	Federring	
41	182000201/2	1	Accelerator	Acceleratore	Accelérateur	Gas Zug	
42	125943012/0	2	Screw	Vite	Vis	Schraube	
44	325592000/0	1	Knob	Manopola	Poignee	Knopf	
45	112726388/0	1	Screw	Vite	Vis	Schraube	
46	112290800/0	1	Hexagonal Nut	Dado	Ecrou	Mutter	
48	125090001/2	1	Choke Control	Comando Starter	Commande Starter	Starter Betaetigung	
51	125735110/3	1	Tank	Serbatoio	Réservoir à carburant	Treibstofftank	Without Fuel level gauge
51	325735111/3	1	Tank	Serbatoio	Réservoir à carburant	Treibstofftank	With Fuel level gauge
52	125795000/1	1	Fuel Cap	Tappo Miscela	Bouhcon Mélange	Deckel Treibstoff	
53	112788910/0	2	Screw	Vite	Vis	Schraube	
54	112500092/0	2	Rivet	Rivetto	Rivet	Niet	
61	133567000/0	1	Relay	Relay	Relay	Relay	
62	112791500/0	2	Screw	Vite	Vis	Schraube	
63	112521330/0	2	Washer	Rosetta	Rondelle	Scheibe	
64	112521330/0	2	Washer	Rosetta	Rondelle	Scheibe	
65	112582100/0	2	Grower	Grower	Grower	Federring	
66	112292100/0	2	Hexagonal Nut	Dado	Ecrou	Mutter	



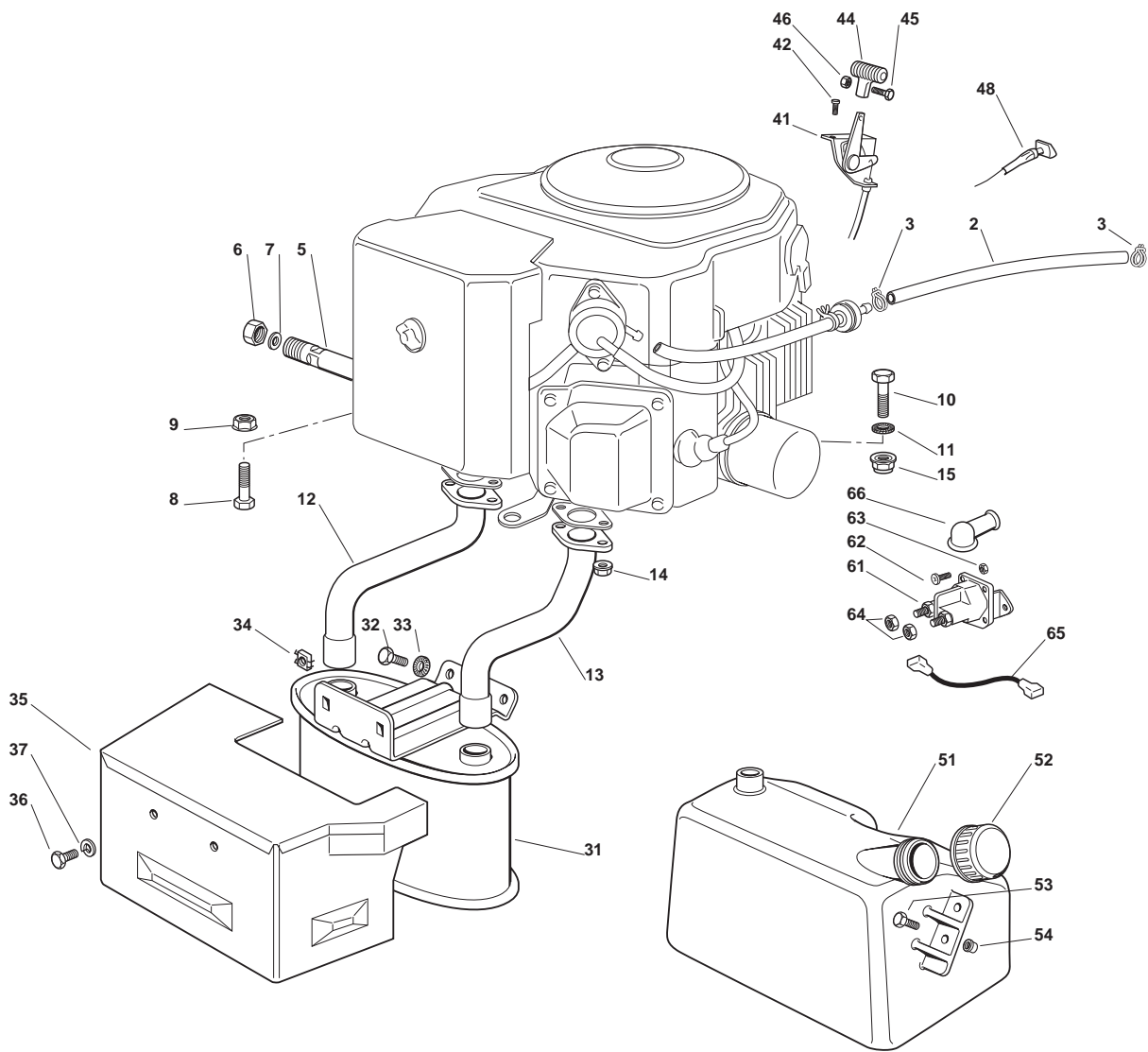
Engine - Honda GCV660

POS	CODE	Q.TY	DESCRIPTION	DESCRIZIONE	DESCRIPTION	BESCHREIBUNG	NOTES
2	325869033/1	1	Fuel Tube	Tubo Carburante	Tube De Connexion	Verbindungsrohr	
3	118375051/1	2	Fair Led	Fascetta	Collier	Rohrschelle	
5	127598061/1	1	Oil Discharge Extention	Prolunga Scarico Olio	Rallonge Dechargement Huile	Öl Abfluss	
6	118737849/0	1	Plug	Tappo	Bouchon	Stopfen	
7	118401001/1	1	Oil Seal	Anello Di Tenuta	Anneau De Tenue	Dichtring	
8	125510028/1	4	Pin	Perno	Pivot	Bolzen	
9	112154210/0	4	Self-Locking Nut	Dado Autobloccante	Écrou auto-bloquant	Selbstsichernde Mutter	
10	127430561/0	1	Spring	Molla	Ressort	Feder	
11	112691115/0	1	Screw	Vite	Vis	Schraube	
12	112521350/0	2	Washer	Rosetta	Rondelle	Scheibe	
13	112293201/0	1	Nut	Dado	Ecrou	Mutter	
14	118738243/0	1	Exhaust Tube Right	Tubo Scarico Destro	Tube Echappement Droit	Abgasungrohr, Rechte	
15	118738244/0	1	Exhaust Tube Left	Tubo Scarico Sinistro	Tube Echappement Gauche	Abgasungrohr, Linke	
16	112293201/0	4	Nut	Dado	Ecrou	Mutter	
17	112540260/0	1	Grower	Grower	Grower	Federring	
32	112793102/0	2	Screw	Vite	Vis	Schraube	
33	112540260/0	2	Grower	Grower	Grower	Federring	
34	182750003/0	1	Muffler Assy	Ass. Silenziatore	Silencieux	Set Schalldämpfer	
35	112360425/0	2	Nut	Dado	Ecrou	Mutter	
36	382598051/0	1	Guard	Protezione	Protection	Schutz	
37	112792611/0	2	Screw	Vite	Vis	Schraube	
38	112583500/0	2	Grower	Grower	Grower	Federring	
41	182000219/0	1	Accelerator	Acceleratore	Accelérateur	Gas Zug	
42	125943012/0	2	Screw	Vite	Vis	Schraube	
44	325592000/0	1	Knob	Manopola	Poignee	Knopf	
45	112726388/0	1	Screw	Vite	Vis	Schraube	
46	112290800/0	1	Hexagonal Nut	Dado	Ecrou	Mutter	
48	125090007/0	1	Choke Control	Comando Starter	Commande Starter	Starter Betaetigung	
51	125735110/3	1	Tank	Serbatoio	Réservoir à carburant	Treibstofftank	Without Fuel level gauge
51	325735111/3	1	Tank	Serbatoio	Réservoir à carburant	Treibstofftank	With Fuel level gauge
52	125795000/1	1	Fuel Cap	Tappo Miscela	Bouhcon Mélange	Deckel Treibstoff	
53	112788910/0	2	Screw	Vite	Vis	Schraube	
54	112500092/0	2	Rivet	Rivetto	Rivet	Niet	
61	133567000/0	1	Relay	Relay	Relay	Relay	
62	112791500/0	2	Screw	Vite	Vis	Schraube	
63	112521330/0	2	Washer	Rosetta	Rondelle	Scheibe	
64	112521330/0	2	Washer	Rosetta	Rondelle	Scheibe	
65	112582100/0	2	Grower	Grower	Grower	Federring	
66	112292100/0	2	Hexagonal Nut	Dado	Écrou	Mutter	



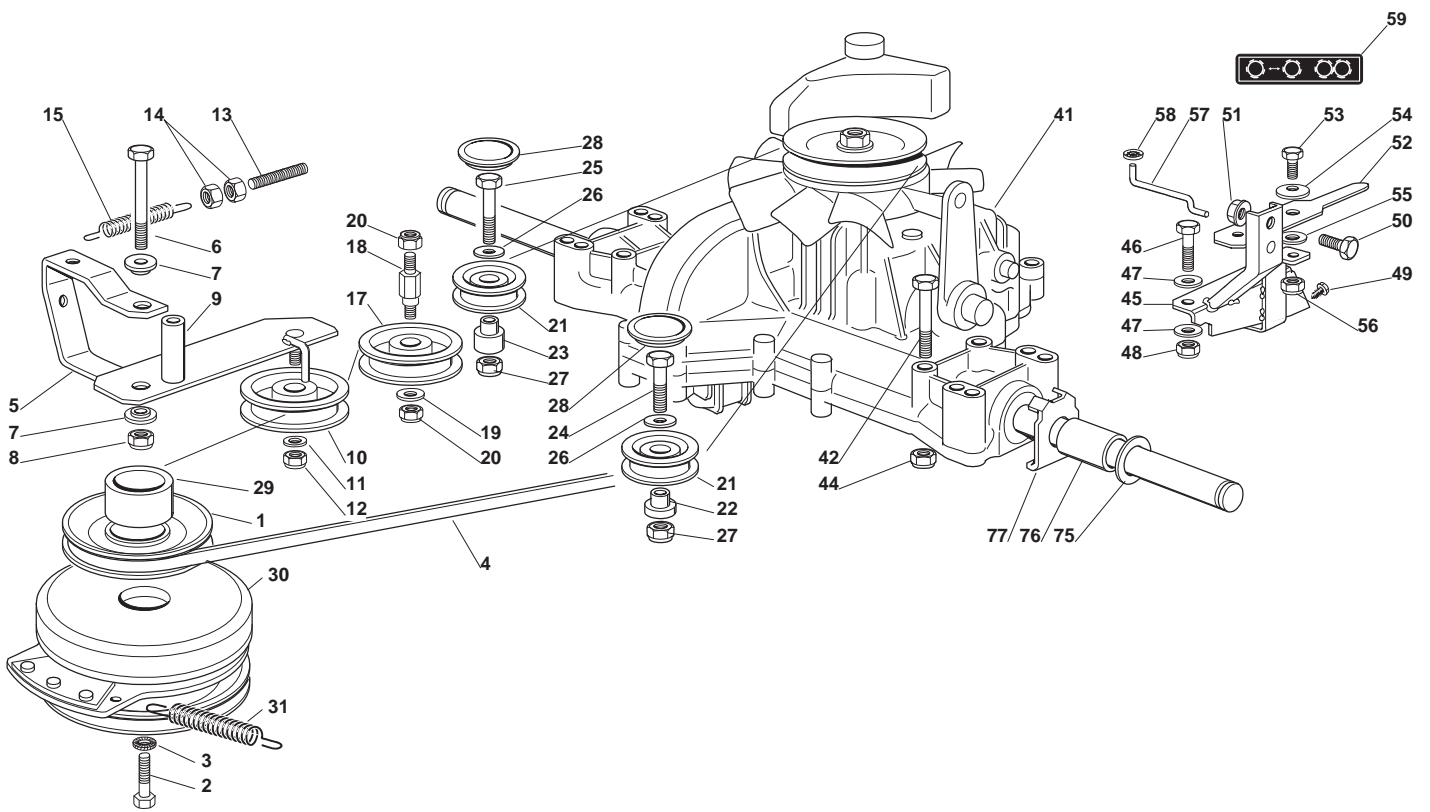
Engine - Kohler 16 - 18 HP

POS	CODE	Q.TY	DESCRIPTION	DESCRIZIONE	DESCRIPTION	BESCHREIBUNG	NOTES
2	325869016/1	1	Connecting Tube	Tubo Collegamento	Tube De Connexion	Verbindungsrohr	
3	118375051/1	2	Fair Led	Fascetta	Collier	Rohrschelle	
4	112735108/1	3	Screw	Vite	Vis	Schraube	
5	112154210/0	1	Self-Locking Nut	Dado Autobloccante	Écrou auto-bloquant	Selbstsichernde Mutter	
6	112691115/0	1	Screw	Vite	Vis	Schraube	
7	112540260/0	1	Grower	Grower	Grower	Federring	
8	127598060/0	1	Oil Discharge Extension	Prolunga Scarico Olio	Rallonge Dechargement Huile	Öl Abfluss	
9	118737849/0	1	Plug	Tappo	Bouchon	Stopfen	
10	118401001/1	1	Oil Seal	Anello Di Tenuta	Anneau De Tenue	Dichtring	
11	118738227/0	1	Exhaust Pipe	Tubo Scarico	Tube Echappement	Abgasungrohr	
12	112735530/0	2	Screw	Vite	Vis	Schraube	
13	112583500/0	2	Grower	Grower	Grower	Federring	
14	125160035/0	3	Spacer	Distanziale	Entretoise	Distanzring	
31	182750010/0	1	Muffler	Silenziatore	Silencieux	Set Schalldämpfer	
32	112793102/0	2	Screw	Vite	Vis	Schraube	
33	112540260/0	2	Grower	Grower	Grower	Federring	
34	112360425/0	2	Nut	Dado	Ecrou	Mutter	
35	382598029/0	1	Muffler Protection	Protezione Silenziatore	Protection Silencieux	Auspuffschutz	
36	112792611/0	2	Screw	Vite	Vis	Schraube	
37	112583500/0	2	Grower	Grower	Grower	Federring	
41	182000200/1	1	Throttle Cable	Cavo Acceleratore	Câble Accélérateur	Gashebel Kabel	
42	125943012/0	2	Screw	Vite	Vis	Schraube	
44	325592000/0	1	Knob	Manopola	Poignee	Knopf	
45	112726388/0	1	Screw	Vite	Vis	Schraube	
46	112290800/0	1	Hexagonal Nut	Dado	Ecrou	Mutter	
51	125735110/3	1	Tank	Serbatoio	Réservoir à carburant	Treibstofftank	Without Fuel level gauge
51	325735111/3	1	Tank	Serbatoio	Réservoir à carburant	Treibstofftank	With Fuel level gauge
52	125795000/1	1	Fuel Cap	Tappo Miscela	Bouhcon Mélange	Deckel Treibstoff	
53	112788910/0	2	Screw	Vite	Vis	Schraube	
54	112500092/0	2	Rivet	Rivetto	Rivet	Niet	
61	118736110/0	1	Starter Relay	Relé Avviamento	Relais D'Allumage	Anlassrelais	
62	112791011/0	2	Screw	Vite	Vis	Schraube	
63	112292102/0	2	Nut	Dado	Ecrou	Mutter	
64	112360352/0	2	Nut	Dado	Ecrou	Mutter	
65	125065017/0	1	Cable	Cable	Cable	Cable	
66	118564861/1	1	Protection	Protezione	Protection	Schutz	

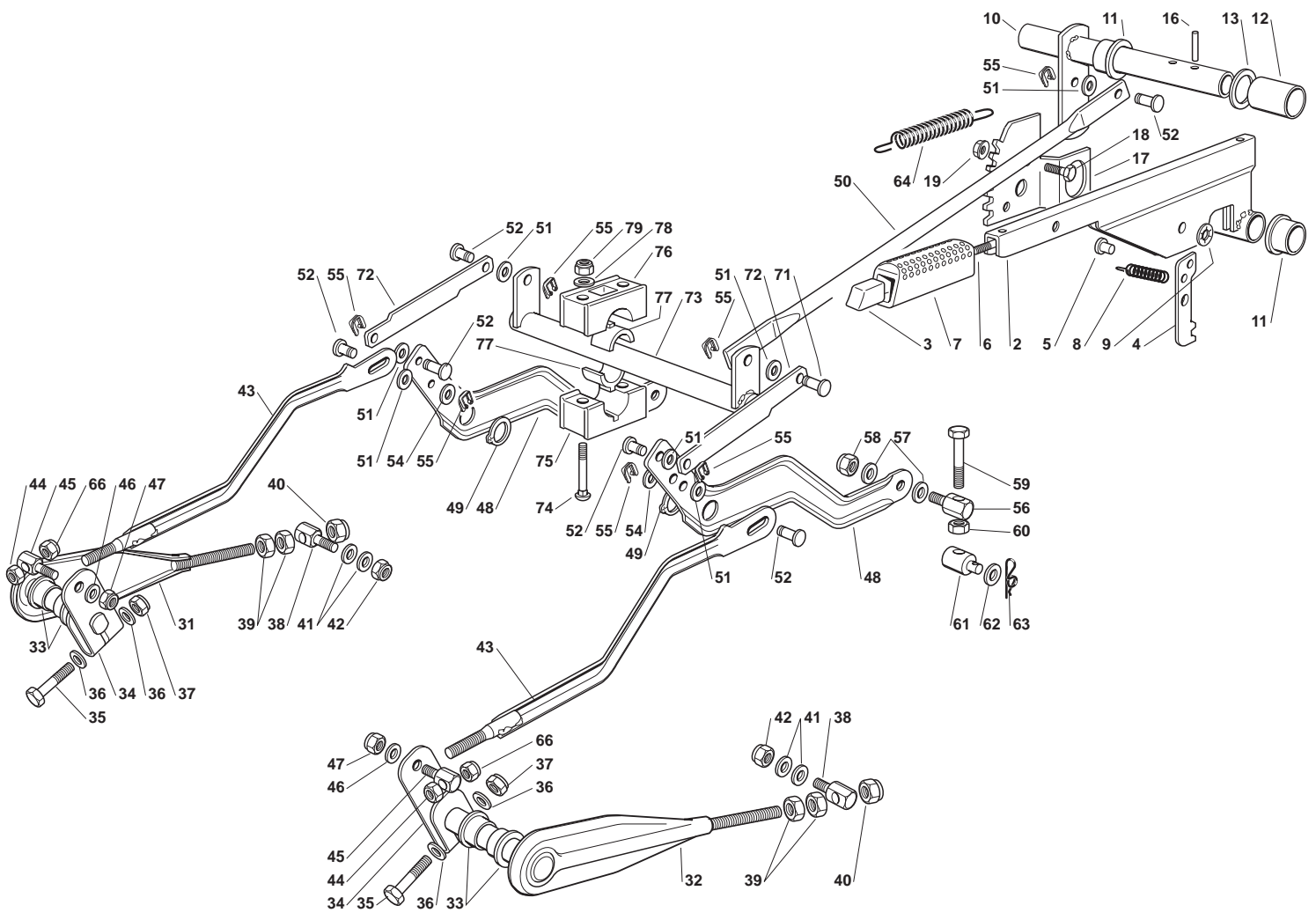


Engine - Kohler 20 - 25 HP

POS	CODE	Q.TY	DESCRIPTION	DESCRIZIONE	DESCRIPTION	BESCHREIBUNG	NOTES
2	325869016/1	1	Connecting Tube	Tubo Collegamento	Tube De Connexion	Verbindungsrohr	
3	118375051/1	2	Fair Led	Fascetta	Collier	Rohrschelle	
5	125598050/0	1	Oil Discharge Extension	Prolunga Scarico Olio	Rallonge Dechargement Huile	Öl Abfluss	
6	118737849/0	1	Plug	Tappo	Bouchon	Stopfen	
7	118401001/1	1	Oil Seal	Anello Di Tenuta	Anneau De Tenue	Dichtring	
8	112691100/0	3	Screw	Vite	Vis	Schraube	
9	112154210/0	3	Self-Locking Nut	Dado Autobloccante	Écrou auto-bloquant	Selbstsichernde Mutter	
10	112691115/0	1	Screw	Vite	Vis	Schraube	
11	112540260/0	1	Grower	Grower	Grower	Federring	
12	118738207/1	1	Exhaust Tube Right	Tubo Scarico Destro	Tube Echappement Droite	Abgasungrohr, Rechte	
13	118738208/1	1	Exhaust Tube Left	Tubo Scarico Sinistro	Tube Echappement Gauche	Abgasungrohr, Linke	
14	112293201/0	4	Nut	Dado	Ecrou	Mutter	
15	112154210/0	1	Self-Locking Nut	Dado Autobloccante	Écrou auto-bloquant	Selbstsichernde Mutter	
31	182750003/0	1	Muffler Assy	Ass. Silenziatore	Silencieux	Set Schalldämpfer	
32	112793102/0	2	Screw	Vite	Vis	Schraube	
33	112540260/0	2	Grower	Grower	Grower	Federring	
34	112360425/0	2	Nut	Dado	Ecrou	Mutter	
35	382598013/1	1	Guard	Protezione	Protection	Schutz	
36	112792611/0	2	Screw	Vite	Vis	Schraube	
37	112583500/0	2	Grower	Grower	Grower	Federring	
41	182000204/1	1	Throttle Cable	Cavo Acceleratore	Câble Accélérateur	Gashebel Kabel	
42	125943012/0	2	Screw	Vite	Vis	Schraube	
44	325592000/0	1	Knob	Manopola	Poignee	Knopf	
45	112726388/0	1	Screw	Vite	Vis	Schraube	
46	112290800/0	1	Hexagonal Nut	Dado	Ecrou	Mutter	
48	125090004/0	1	Choke Control	Comando Starter	Commande Starter	Starter Betaetigung	
51	125735110/3	1	Tank	Serbatoio	Réservoir à carburant	Treibstofftank	Without Fuel level gauge
51	325735111/3	1	Tank	Serbatoio	Réservoir à carburant	Treibstofftank	With Fuel level gauge
52	125795000/1	1	Fuel Cap	Tappo Miscela	Bouhcon Mélange	Deckel Treibstoff	
53	112788910/0	2	Screw	Vite	Vis	Schraube	
54	112500092/0	2	Rivet	Rivetto	Rivet	Niet	
61	118736110/0	1	Starter Relay	Relé Avviamento	Relais D'Allumage	Anlassrelais	
62	112791011/0	2	Screw	Vite	Vis	Schraube	
63	112292102/0	2	Nut	Dado	Ecrou	Mutter	
64	112360352/0	2	Nut	Dado	Ecrou	Mutter	
65	125065017/0	1	Cable	Cable	Cable	Cable	
66	118564861/1	1	Protection	Protezione	Protection	Schutz	

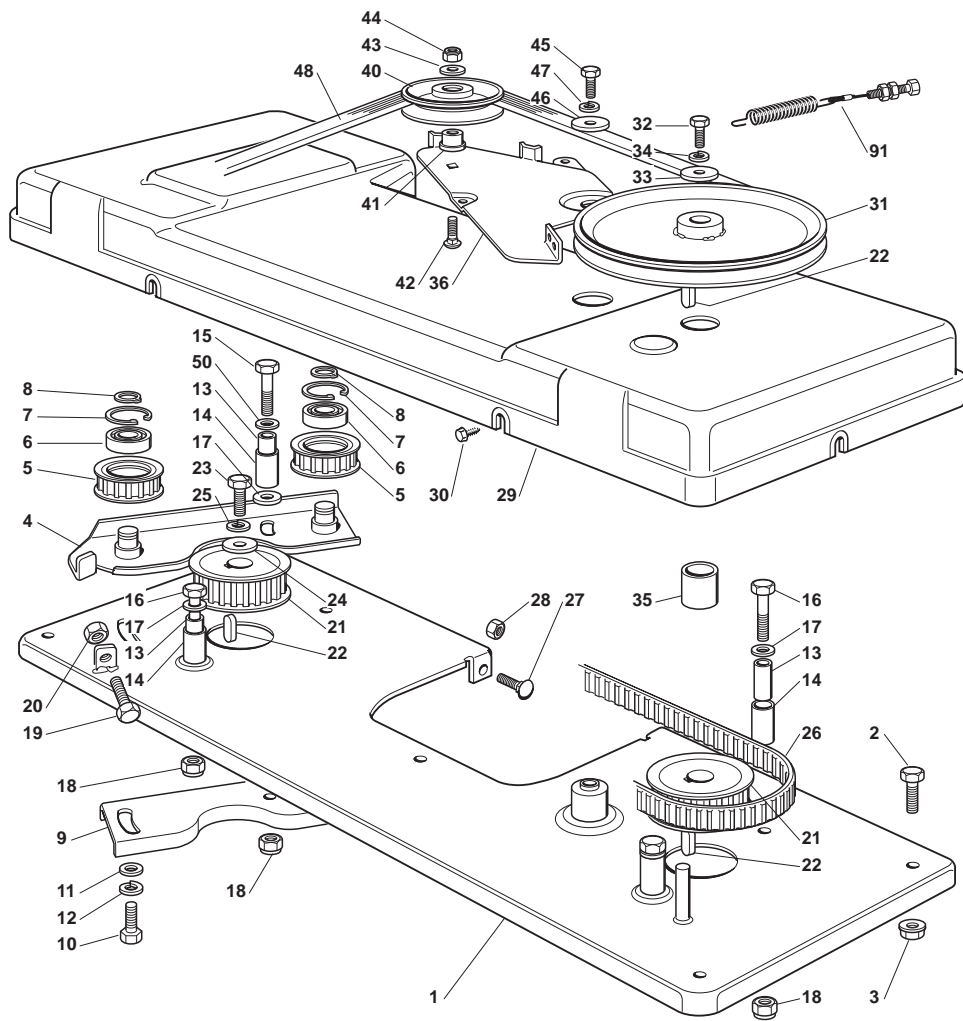


Transmission							
POS	CODE	Q.TY	DESCRIPTION	DESCRIZIONE	DESCRIPTION	BESCHREIBUNG	NOTES
1	125601566/1	1	Pulley	Puleggia	Poulie	Riemenscheibe	
2	112737320/0	1	Screw	Vite	Vis	Schraube	
3	112543000/0	1	Washer	Rosetta	Rondelle	Scheibe	
4	135062001/0	1	Trapezoidal Belt	Cinghia Trapezoidale	Courroie Trapézoïdale	Keilriemen	
5	382318165/1	1	Lever	Leva	Levier	Hebel	
6	112692000/0	1	Screw	Vite	Vis	Schraube	
7	125038002/1	2	Bush	Bussola	Douille	Büchse	
8	112155000/0	1	Nut	Dado	Ecrou	Mutter	
9	125160027/0	1	Spacer	Distanziale	Entretoise	Distanzring	
10	125601554/0	1	Pulley	Puleggia	Poulie	Riemenscheibe	
11	112523060/0	1	Washer	Rosetta	Rondelle	Scheibe	
12	112155000/0	1	Nut	Dado	Ecrou	Mutter	
13	125840010/1	1	Tie Rod	Tirante	Tirant	Spannstange	
14	112293200/0	2	Hexagonal Nut	Dado	Ecrou	Mutter	
15	125430219/0	1	Spring	Molla	Ressort	Feder	
17	125601555/0	1	Pulley	Puleggia	Poulie	Riemenscheibe	
18	125510036/1	1	Pin	Perno	Pivot	Bolzen	
19	112523060/0	1	Washer	Rosetta	Rondelle	Scheibe	
20	112155000/0	2	Nut	Dado	Ecrou	Mutter	
21	325601570/1	2	Pulley	Puleggia	Poulie	Riemenscheibe	
22	125160030/2	1	Left Spacer	Distanziale Sinistro	Entretoise Gauche	Linker Entfernungsstück	
23	125160024/2	1	Right Spacer	Distanziale Destro	Entretoise Droit	Rechter Entfernungsstück	
24	112691115/0	1	Screw	Vite	Vis	Schraube	
25	112691400/0	1	Screw	Vite	Vis	Schraube	
26	112523060/0	2	Washer	Rosetta	Rondelle	Scheibe	
27	112155000/0	2	Nut	Dado	Ecrou	Mutter	
28	125109521/1	2	Cover	Coperchio Membrana	Couvercle Membrane	Deckel Membran	
29	125160021/0	1	Spacer	Distanziale	Entretoise	Distanzring	
30	118399062/0	1	Clutch Assy	Ass. Frizione	Friction	Set Kupplung	
31	125430210/1	1	Spring	Molla	Ressort	Feder	
41	118400950/1	1	Rear Axle	Asse Posteriore	Axe Arriere	Hinterachse	
42	112691800/0	4	Screw	Vite	Vis	Schraube	
44	112154210/0	4	Self-Locking Nut	Dado Autobloccante	Écrou auto-bloquant	Selbstsichernde Mutter	
45	382785109/0	1	Support	Supporto	Support	Halter	
46	112691200/0	1	Screw	Vite	Vis	Schraube	
47	112521350/0	2	Washer	Rosetta	Rondelle	Scheibe	
48	112155000/0	1	Nut	Dado	Ecrou	Mutter	
49	112735120/0	2	Screw	Vite	Vis	Schraube	
50	112792611/0	1	Screw	Vite	Vis	Schraube	
51	112293201/0	1	Nut	Dado	Ecrou	Mutter	
52	325318157/0	1	Lever	Leva	Levier	Hebel	
53	112793102/0	1	Screw	Vite	Vis	Schraube	
54	112369500/0	1	Elastic Washer	Disco Elastico	Disque Elastique	Federscheibe	
55	325670011/0	1	Antifriction Washer	Rondella Antifrizione	Rondelle Antifriction	Anti Friktionswäscher	
56	112155000/0	1	Nut	Dado	Ecrou	Mutter	
57	125033033/0	1	Rod	Asta	Tige	Stange	
58	112604896/0	1	Crown Fastener	Fissatore A Corona	Fixateur A Couronne	Kronescheibe	
59	114357423/2	1	Label	Etichetta	Etiquette	Etikett	
75	112521410/0	4	Washer	Rosetta	Rondelle	Scheibe	
76	125160023/0	2	Spacer	Distanziale	Entretoise	Distanzring	
77	325670025/0	2	Washer	Rosetta	Rondelle	Scheibe	



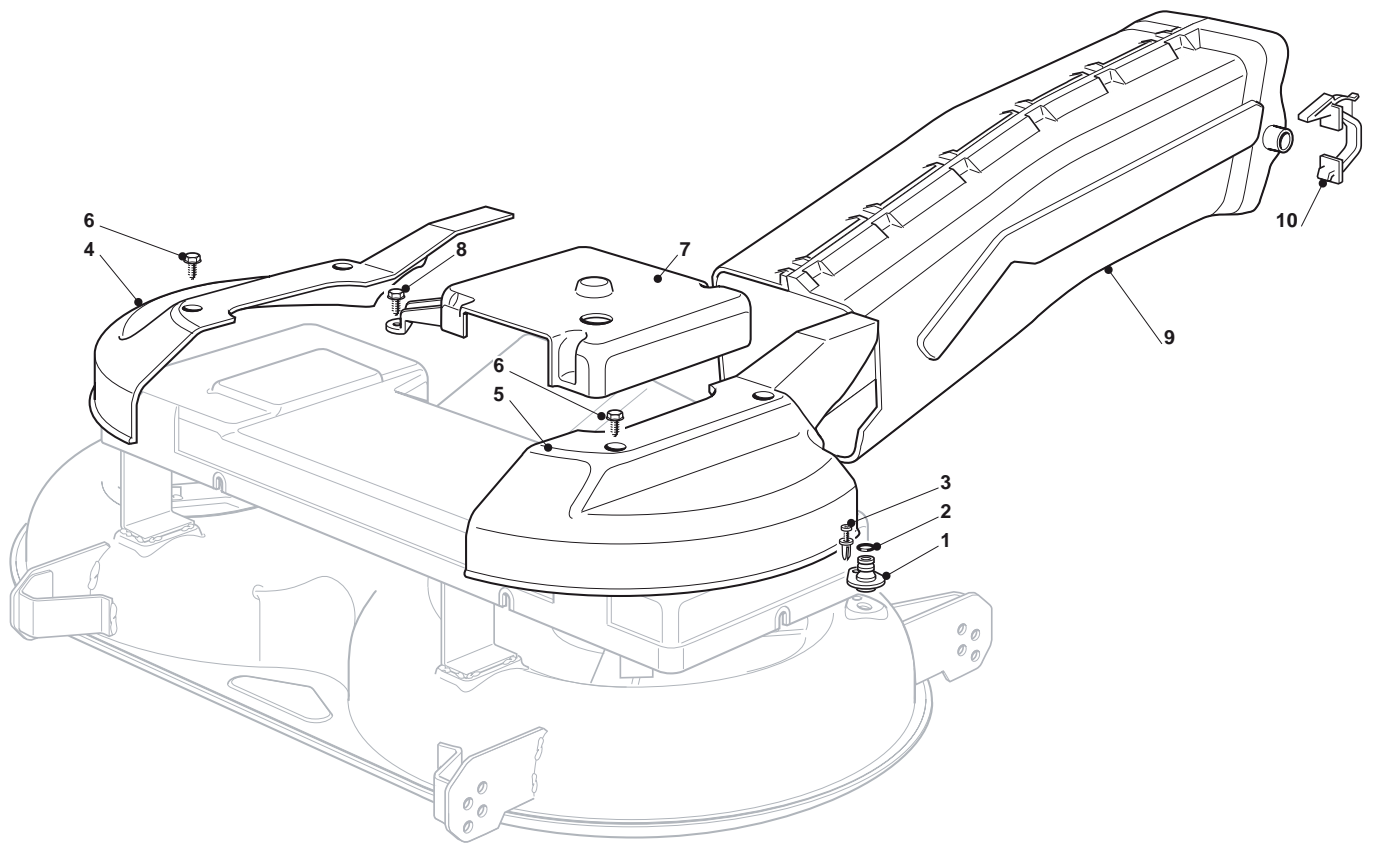
Cutting Plate Lifting

POS	CODE	Q.TY	DESCRIPTION	DESCRIZIONE	DESCRIPTION	BESCHREIBUNG	NOTES
2	382318139/0	1	Deck Lifting Lever	Leva Sollevamento Piatto	Levier	Hebel	
3	125605000/1	1	Button	Pulsante	Bouton	Druckknopf	
4	325470901/0	1	Dog	Dog	Dog	Dog	
5	125510011/0	1	Pin	Perno	Pivot	Bolzen	
6	125033002/0	1	Pushrod	Pushrod	Pushrod	Pushrod	
7	325394536/0	1	Knob	Manopola	Poignee	Knopf	
8	125430208/0	1	Spring	Molla	Ressort	Feder	
9	112604899/0	1	Crown Fastener	Fissatore A Corona	Fixateur A Couronne	Kronenscheibe	
10	382000551/0	1	Axle	Asse Avanzamento	Axe	Achse	
11	122034523/0	2	Bush	Bussola	Douille	Büchse	
12	125160025/0	1	Spacer	Distanziale	Entretoise	Distanzring	
13	322672153/0	1	Antifriction Washer	Rondella Antifrizione	Rondelle Antifricition	Anti Friktionswäscher	
16	112620206/0	2	Pin	Perno	Pivot	Bolzen	
17	325735506/1	1	Left Sector	Settore Sinistro	Secteur, Gauche	Sektor, Linke	
18	112792611/0	2	Screw	Vite	Vis	Schraube	
19	112293201/0	2	Nut	Dado	Ecrou	Mutter	
31	382318155/0	1	Fulcrum Lever	Leva Fulcro	Fulcrum Levier	Hebeldrehpunkt	
32	382318157/0	1	Left Fulcrum	Fulcro	Point D'Appui	Gelenkpunkt	
33	125040605/0	4	Bush	Bussola	Douille	Büchse	
34	325318161/1	2	Lever	Leva	Levier	Hebel	
35	112691700/0	2	Screw	Vite	Vis	Schraube	
36	112521350/0	4	Washer	Rosetta	Rondelle	Scheibe	
37	112155000/0	2	Nut	Dado	Ecrou	Mutter	
38	125510056/1	2	Pin	Perno	Pivot	Bolzen	
39	112295200/0	4	Hexagonal Nut	Dado	Ecrou	Mutter	
40	112156602/0	2	Nut	Dado	Ecrou	Mutter	
41	325670008/1	4	Washer	Rosetta	Rondelle	Scheibe	
42	112156602/0	2	Nut	Dado	Ecrou	Mutter	
43	382000477/3	2	Connecting Rod Ass.Y	Asta Collegamento	Tige De Connexion	Verbindungsstab	
44	112155000/0	2	Nut	Dado	Ecrou	Mutter	
45	125510055/1	2	Pin	Perno	Pivot	Bolzen	
46	112521350/0	2	Washer	Rosetta	Rondelle	Scheibe	
47	112155000/0	2	Nut	Dado	Ecrou	Mutter	
48	325318153/2	2	Rear Lever	Leva Posteriore	Levier Arriere	Hinterhebel	
49	112609255/0	2	Seeger	Seeger	Seeger	Seeger	
50	325033071/0	1	Connecting Rod	Asta Collegamento	Tige De Connexion	Verbindungsstab	
51	325670011/0	7	Antifriction Washer	Rondella Antifrizione	Rondelle Antifricition	Anti Friktionswäscher	
52	125510053/2	7	Pin	Perno	Pivot	Bolzen	
54	112521350/0	2	Washer	Rosetta	Rondelle	Scheibe	
55	112436050/0	7	Plate	Piastra	Plaque	Platte	
56	125510056/1	2	Pin	Perno	Pivot	Bolzen	
57	325670008/1	4	Washer	Rosetta	Rondelle	Scheibe	
58	112156602/0	2	Nut	Dado	Ecrou	Mutter	
59	112794980/0	2	Screw	Vite	Vis	Schraube	
60	112295200/0	2	Hexagonal Nut	Dado	Ecrou	Mutter	
61	125510070/1	2	Pin	Perno	Pivot	Bolzen	
62	112523090/0	2	Washer	Rosetta	Rondelle	Scheibe	
63	124487998/0	2	Cotter Pin	Coppiglia	Goupille	Split	
64	125430218/0	1	Spring	Molla	Ressort	Feder	
66	112293200/0	2	Hexagonal Nut	Dado	Ecrou	Mutter	
71	125510048/1	1	Pin	Perno	Pivot	Bolzen	
72	325318223/0	2	Gearshift	Leva	Levier	Hebel	
73	382000585/0	1	Axle	Asse Avanzamento	Axe	Achse	
74	112815271/0	4	Screw	Vite	Vis	Schraube	
75	325785355/0	2	Support	Supporto	Support	Halter	
76	325785354/0	2	Support	Supporto	Support	Halter	
77	325034003/0	4	Brass	Brass	Brass	Brass	
78	112523040/0	4	Washer	Rosetta	Rondelle	Scheibe	
79	112154510/0	4	Nut	Dado	Ecrou	Mutter	

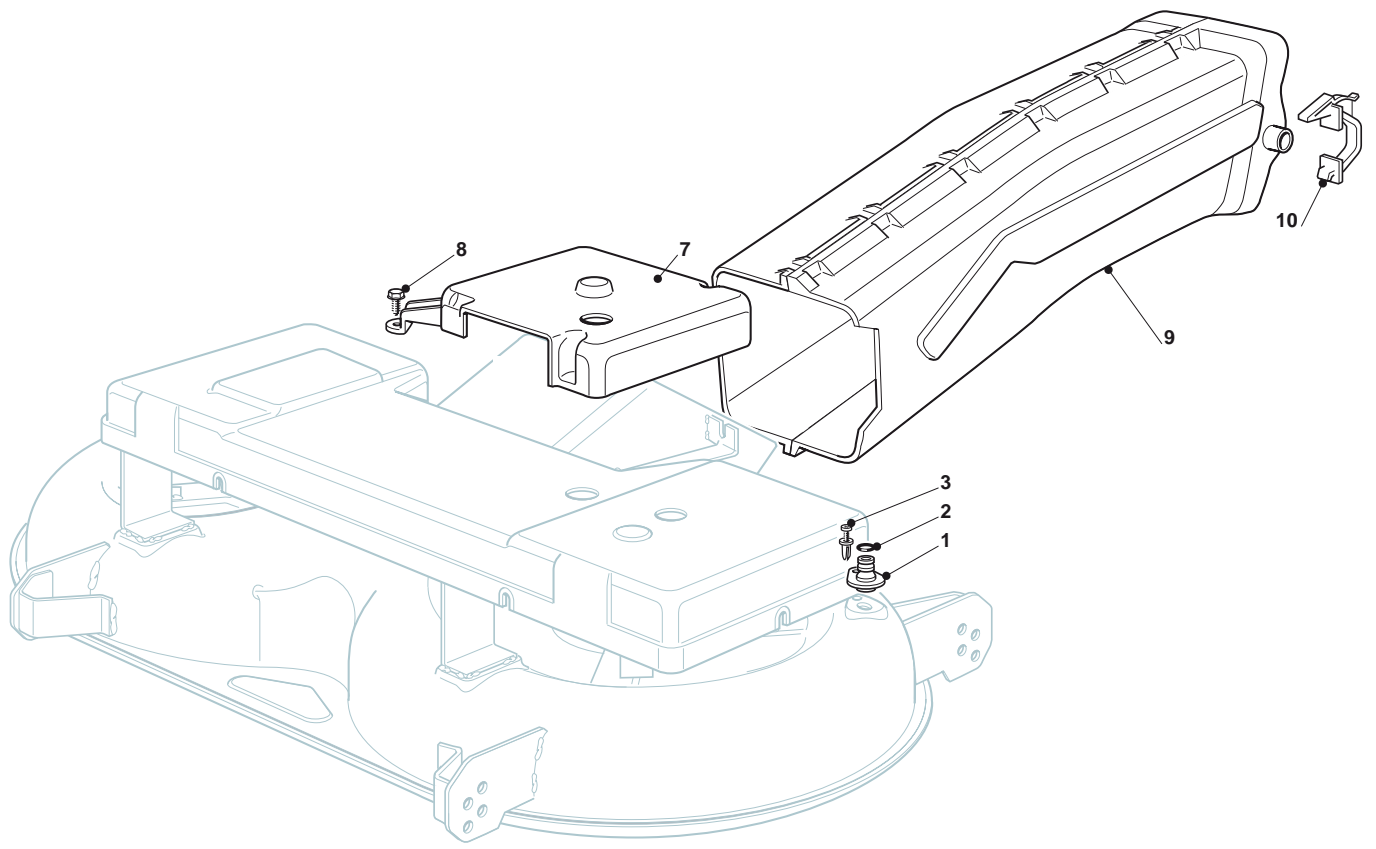


Baldes Engagement							
POS	CODE	Q.TY	DESCRIPTION	DESCRIZIONE	DESCRIPTION	BESCHREIBUNG	NOTES
1	382547029/2	1	Plate	Piastra	Plaque	Platte	
2	112792611/0	4	Screw	Vite	Vis	Schraube	
3	112293201/0	4	Nut	Dado	Ecrou	Mutter	
4	382785084/1	1	Support	Supporto	Support	Halter	
5	125601559/1	2	Toothed Pulley	Toothed Pulley	Toothed Pulley	Toothed Pulley	
6	119216048/0	2	Bearing	Cuscinetto	Roul. À Billes	Kugellager	
7	112610800/0	2	Snap Ring	Anello Seeger	Circlip	Circlip	
8	112609200/0	2	Seeger	Seeger	Seeger	Seeger	
9	325650037/0	1	Pulley Stiffening	Rinforzo Puleggia	Reinforcement Poulie	Verstaerkung Riemenscheibe	
10	112793102/0	2	Screw	Vite	Vis	Schraube	
11	112521350/0	2	Washer	Rosetta	Rondelle	Scheibe	
12	112583500/0	2	Grower	Grower	Grower	Federring	
13	125160003/0	4	Spacer	Distanziale	Entretoise	Distanzring	
14	125038000/0	4	Bush	Bussola	Douille	Büchse	
15	112691700/0	1	Screw	Vite	Vis	Schraube	
16	112691200/0	3	Screw	Vite	Vis	Schraube	
17	112521350/0	4	Washer	Rosetta	Rondelle	Scheibe	
18	112155000/0	4	Nut	Dado	Ecrou	Mutter	
19	112793900/0	1	Screw	Vite	Vis	Schraube	
20	112293200/0	1	Hexagonal Nut	Dado	Ecrou	Mutter	
21	125601560/0	2	Pulley	Puleggia	Poulie	Riemenscheibe	
22	112139480/0	3	Feather	Linguetta	Clavette	Keil	
23	112793102/0	1	Screw	Vite	Vis	Schraube	
24	125670007/0	1	Washer	Rosetta	Rondelle	Scheibe	
25	112583500/0	1	Grower	Grower	Grower	Federring	
26	135065600/0	1	Belt	Cinghia	Courroie	Riemen	
27	112815200/0	3	Screw	Vite	Vis	Schraube	
28	112292102/0	3	Nut	Dado	Ecrou	Mutter	
29	125060100/3	1	Protection	Protezione	Protection	Schutz	
30	112735110/0	6	Screw	Vite	Vis	Schraube	
31	125601550/0	1	Pulley	Puleggia	Poulie	Riemenscheibe	
32	112793102/0	1	Screw	Vite	Vis	Schraube	
33	125670007/0	1	Washer	Rosetta	Rondelle	Scheibe	
34	112583500/0	1	Grower	Grower	Grower	Federring	
35	125160002/0	1	Spacer	Distanziale	Entretoise	Distanzring	
36	325318115/1	1	Lever	Leva	Levier	Hebel	
40	125601555/0	1	Pulley	Puleggia	Poulie	Riemenscheibe	
41	125160007/0	1	Spacer	Distanziale	Entretoise	Distanzring	
42	112818900/0	1	Screw	Vite	Vis	Schraube	
43	112523060/0	1	Washer	Rosetta	Rondelle	Scheibe	
44	112155000/0	1	Nut	Dado	Ecrou	Mutter	
45	112793102/0	1	Screw	Vite	Vis	Schraube	
46	112523070/0	1	Washer	Rosetta	Rondelle	Scheibe	
47	112583500/0	1	Grower	Grower	Grower	Federring	
48	135062811/0	1	Belt	Cinghia	Courroie	Riemen	
50	112523060/0	1	Washer	Rosetta	Rondelle	Scheibe	
91	182004608/0	1	Blade Engagment Wire	Filo	Fil	Kabel	

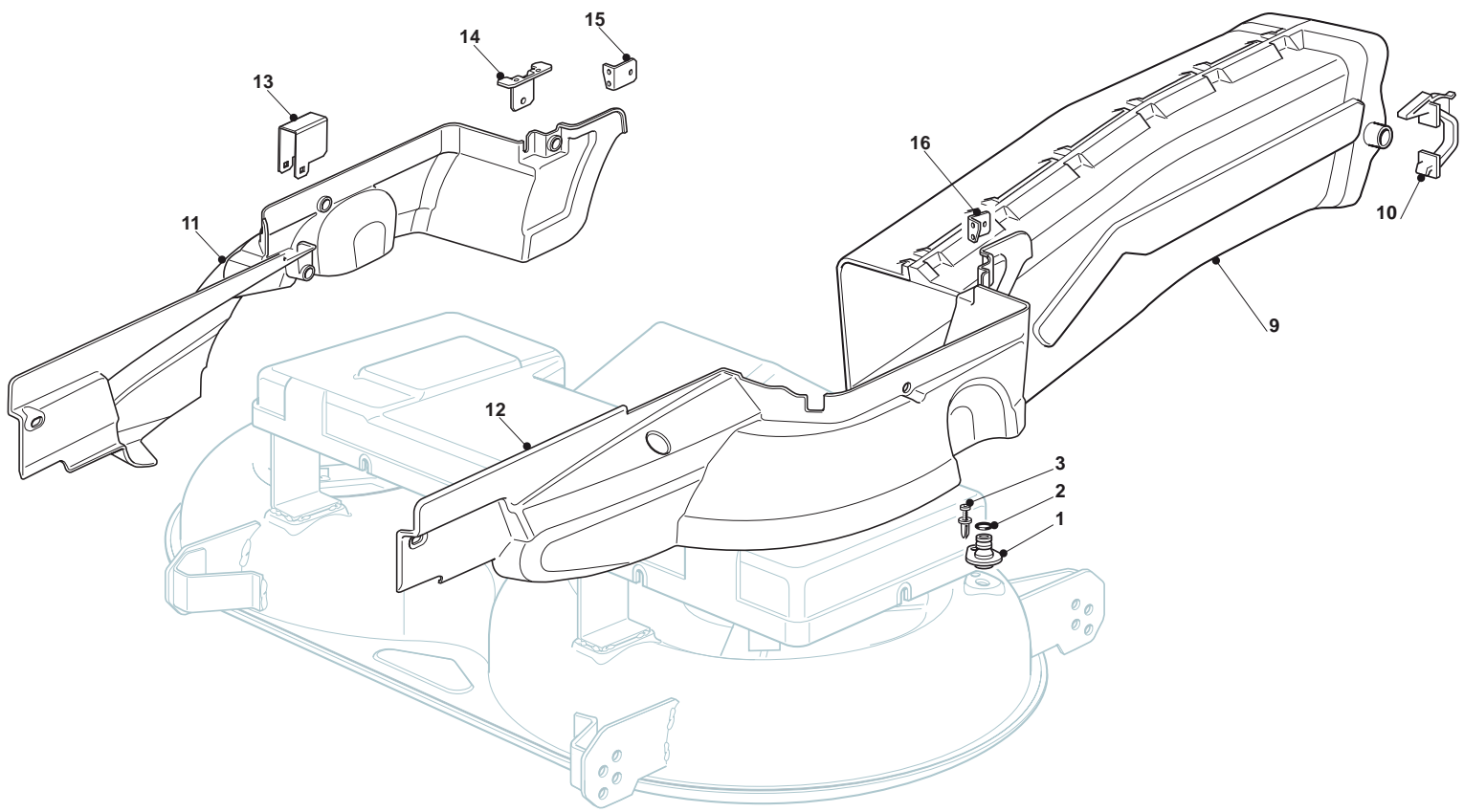
Cutting Plate							
POS	CODE	Q.TY	DESCRIPTION	DESCRIZIONE	DESCRIPTION	BESCHREIBUNG	NOTES
1	382564131/0	1	Cutting Plate Black	Piatto Di Taglio Nero	Plateau De Coupe Noir	Schneidwerkzeug Schwarz	
1	382564132/0	1	Cutting Plate Red	Piatto Di Taglio Rosso	Plateau De Coupe Rouge	Schneidwerkzeug Rot	
1	382564133/0	1	Cutting Plate Yellow	Piatto Di Taglio Giallo	Plateau De Coupe Jaune	Schneidwerkzeug Gelb	
2	125033060/0	2	Washing Cutting Deck Connection	Attacco Lavaggio Piatto	Attaque Lavage Plateau De Coupe	Wasseranschluß Mähwerk	
3	119035000/0	2	O.R. Ring	O.R. Ring	O.R. Ring	O.R. Ring	
4	112500030/0	2	Rivet	Rivetto	Rivet	Niet	
8	382207200/1	1	Flange Assy	Ass. Flangia Collet. Aspiraz.	Bride Collect. Aspiration	Flansch Koll. Ansaugung	
9	382207201/2	1	Support Shaft Tc	Flangia Albero Secondario	Flange Arbre Lame Secondaire	Messerwellw Kpl	
10	125020800/1	1	Main Blade Shaft	Albero Lama Principale	Arbre Lame Principal	Haupt Messerwelle	
11	125020801/2	1	Secondary Blade Shaft	Albero Lama Secondario	Arbre Lame Secondaire	Zweite Messerwelle	
13	119216032/0	4	Bearing	Cuscinetto	Roul. À Billes	Kugellager	
14	325160501/0	2	Dust Cover Disc	Disco Parapolvere	Protege-Poussiere	Staubschuttscheibe	
15	112609260/0	2	Seeger	Seeger	Seeger	Seeger	
16	112818700/0	6	Screw	Vite	Vis	Schraube	
17	112154210/0	6	Self-Locking Nut	Dado Autobloccante	Écrou auto-bloquant	Selbstsichernde Mutter	
18	125463200/0	2	Blade Hub	Mozzo, Coltello	Moyeu Lame	Halter-Messer	
19	112139100/0	2	Key	Chiavetta	Clavette	Keil	
20	182004348/0	1	Right Mulching Blade	Coltello Destro Mulching	Lame Droit Mulching	Rechter Messer Mulching	
21	182004347/0	1	Left Blade Mulching, Winged	Coltello Sinistro Mulching, Alettato	Lame Gauche Mulching, Aillettee	Linker Messer Mulching, Flügel	
22	122160400/0	2	Elastic Washer	Disco Elastico	Disque Elastique	Federscheibe	
23	112523080/0	2	Washer	Rosetta	Rondelle	Scheibe	
24	112735694/0	1	Screw	Vite	Vis	Schraube	
25	112735695/1	1	Screw	Vite	Vis	Schraube	
26	182700003/0	2	Anti Scalp Wheel Ø 80	Ruotino Antiscalpo Ø 80	Roulettes Antiscalp Ø 80	Skalpierschutzrädchen Ø 80	
27	125510072/0	2	Pin	Perno	Pivot	Bolzen	
28	112692050/0	2	Screw	Vite	Vis	Schraube	
29	112523060/0	2	Washer	Rosetta	Rondelle	Scheibe	
30	112293201/0	2	Nut	Dado	Ecrou	Mutter	
31	182700004/0	2	Anti Scalp Wheel Ø 100	Ruotino Antiscalpo Ø 100	Roulettes Antiscalp Ø 100	Skalpierschutzrädchen Ø 100	
32	125510121/0	2	Pin	Perno	Pivot	Bolzen	
33	122450115/0	2	Spring	Molla	Ressort	Feder	
34	112000930/0	2	Benzing Ring	Anello Benzing	Anneau Benzing	Ring Benzing	
41	182004341/1	1	Right Blade, Winged	Coltello Destro, Alettato	Lame Droit, Aillettee	Rechter Messer, Flügel	
42	182004340/1	1	Left Blade, Winged	Coltello Sinistro, Alettato	Lame Gauche, Aillettee	Linker Messer, Flügel	
51	325140100/0	1	Deflector	Deflettore	Deflecteur	Abweiser	
52	112815210/0	2	Screw	Vite	Vis	Schraube	
53	125038002/1	2	Bush	Bussola	Douille	Büchse	
54	112154510/0	2	Nut	Dado	Ecrou	Mutter	



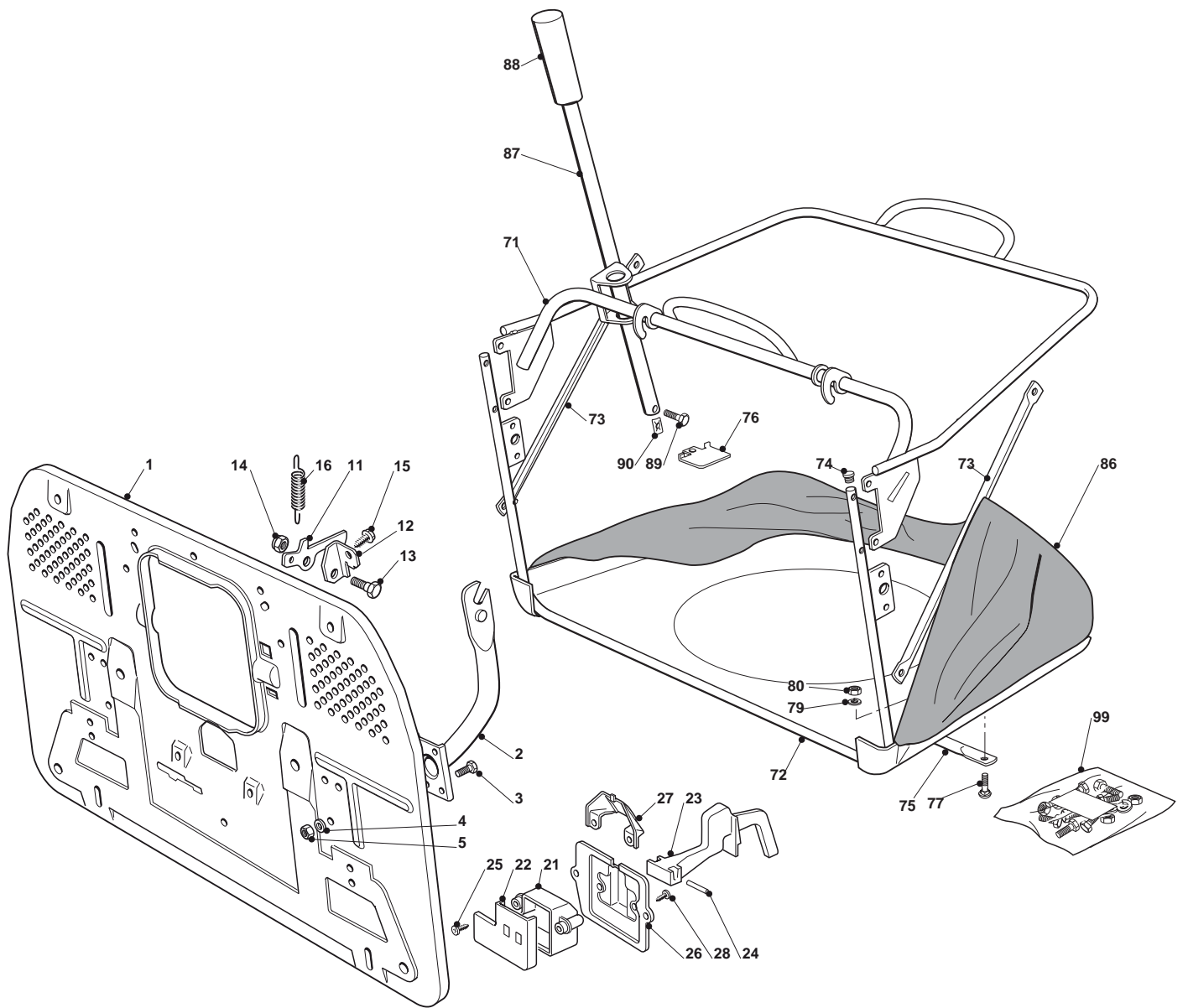
Guards And Conveyor							
POS	CODE	Q.TY	DESCRIPTION	DESCRIZIONE	DESCRIPTION	BESCHREIBUNG	NOTES
1	125033060/0	2	Washing Cutting Deck Connection	Attacco Lavaggio Piatto	Attaque Lavage Plateau De Coupe	Wasseranschluß Mähwerk	
2	119035000/0	2	O.R. Ring	O.R. Ring	O.R. Ring	O.R. Ring	
3	112500030/0	2	Rivet	Rivetto	Rivet	Niet	
4	125060104/0	1	Right Belt Protection Carter	Carter Protezione Cinghia Dx	Carter Protection Courroie Droit	Schutz Rechte, Riemen	Black
4	325060113/0	1	Right Belt Protection Carter	Carter Protezione Cinghia Dx	Carter Protection Courroie Droit	Schutz Rechte, Riemen	Grey
5	125060105/0	1	Left Belt Protection Carter	Carter Protezione Cinghia Sx	Carter Protection Courroie Gauche	Schutz Linke, Riemen	Black
5	325060114/0	1	Left Belt Protection Carter	Carter Protezione Cinghia Sx	Carter Protection Courroie Gauche	Schutz Linke, Riemen	Grey
6	112735403/0	4	Screw	Vite	Vis	Schraube	
7	125600049/0	1	Belt Protection	Carter Cinghia	Protection Courroie	Schutz, Riemen	
8	112735403/0	3	Screw	Vite	Vis	Schraube	
9	382108016/1	1	Conveyor	Convogliatore	Convoyeur	Konveyor	
10	325774373/0	2	Clamp	Staffa	Etrier	Bride	



Guards And Conveyor							
POS	CODE	Q.TY	DESCRIPTION	DESCRIZIONE	DESCRIPTION	BESCHREIBUNG	NOTES
1	125033060/0	2	Washing Cutting Deck Connection	Attacco Lavaggio Piatto	Attaque Lavage Plateau De Coupe	Wasseranschluß Mähwerk	
2	119035000/0	2	O.R. Ring	O.R. Ring	O.R. Ring	O.R. Ring	
3	112500030/0	2	Rivet	Rivetto	Rivet	Niet	
7	125600049/0	1	Belt Protection	Carter Cinghia	Protection Courroie	Schutz, Riemen	
8	112735403/0	3	Screw	Vite	Vis	Schraube	
9	382108016/1	1	Conveyor	Convogliatore	Convoyeur	Konveyor	
10	325774373/0	2	Clamp	Staffa	Etrier	Bride	



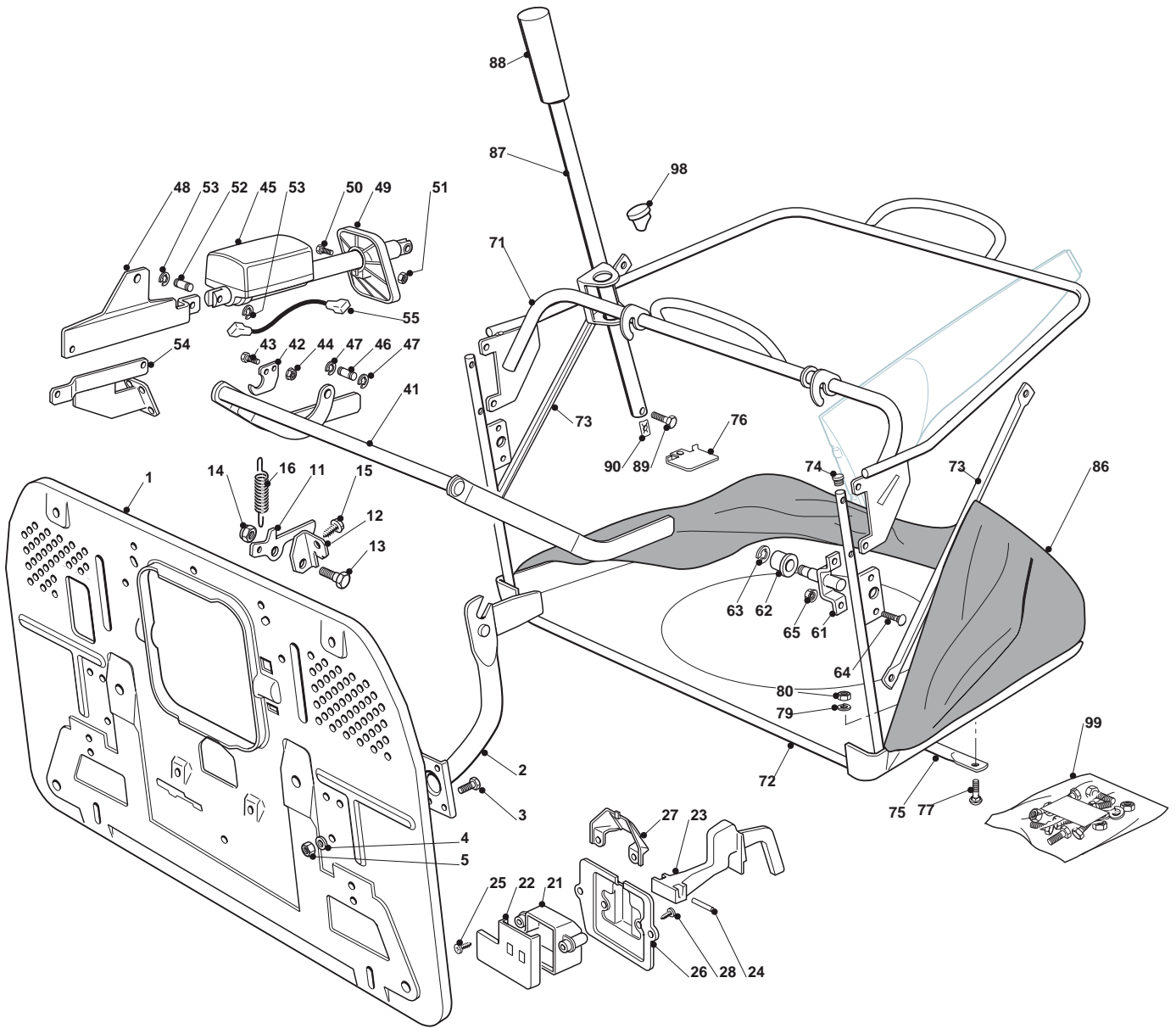
Guards And Conveyor							
POS	CODE	Q.TY	DESCRIPTION	DESCRIZIONE	DESCRIPTION	BESCHREIBUNG	NOTES
1	125033060/0	2	Washing Cutting Deck Connection	Attacco Lavaggio Piatto	Attaque Lavage Plateau De Coupe	Wasseranschluß Mähwerk	
2	119035000/0	2	O.R. Ring	O.R. Ring	O.R. Ring	O.R. Ring	
9	382108016/1	1	Conveyor	Convogliatore	Convoyeur	Konveyor	
10	325774373/0	2	Clamp	Staffa	Etrier	Bride	
11	325060144/0	1	Protection	Protezione	Protection	Schutz	
12	325060145/0	1	Protection	Protezione	Protection	Schutz	
13	325774267/0	2	Clamp	Staffa	Etrier	Bride	
14	325774423/0	2	Clamp	Staffa	Etrier	Bride	
15	325774425/0	1	Clamp	Staffa	Etrier	Bride	
16	325774421/0	1	Clamp	Staffa	Etrier	Bride	



Grasscatcher

for model with grasscatcher manual lifting

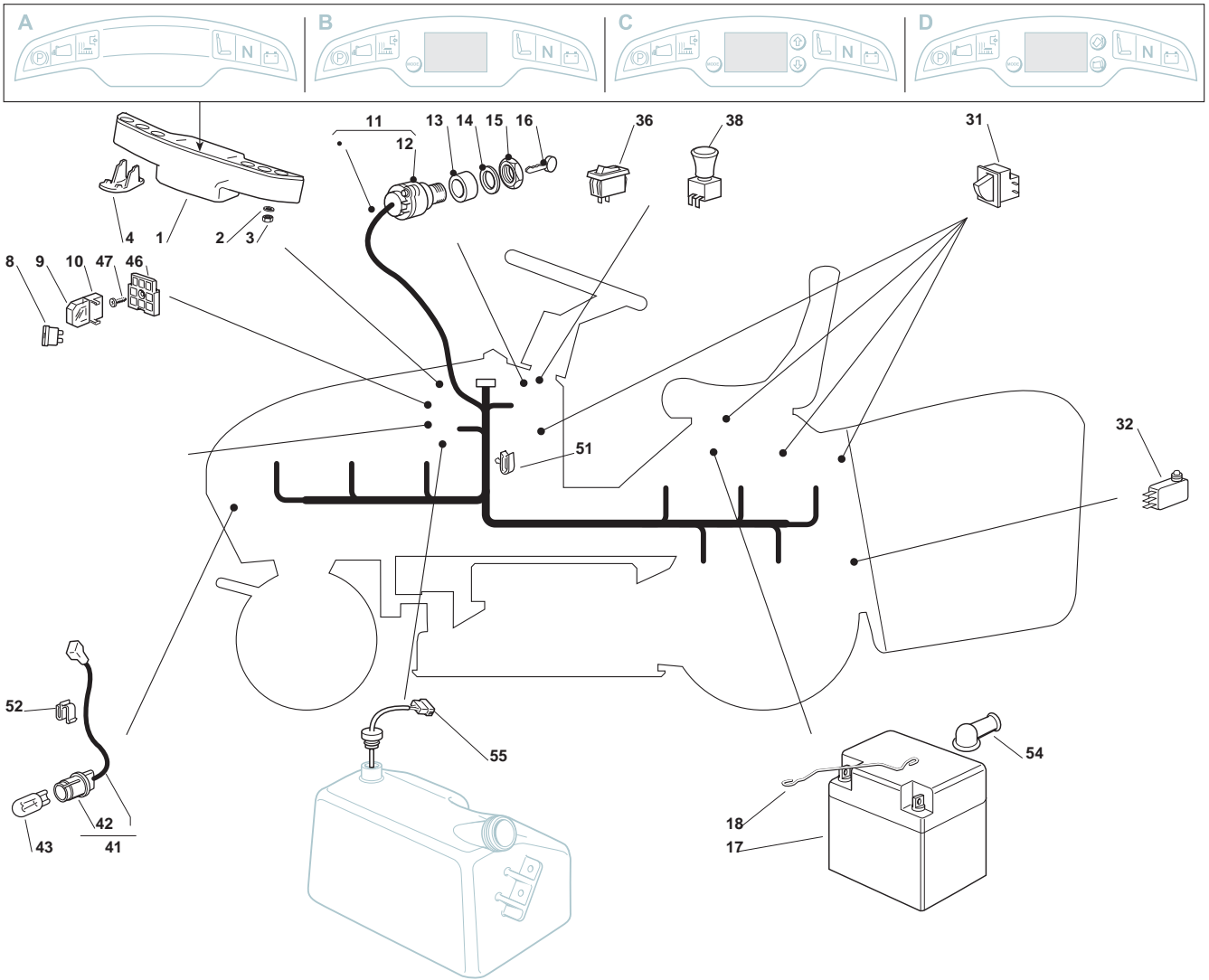
POS	CODE	Q.TY	DESCRIPTION	DESCRIZIONE	DESCRIPTION	BESCHREIBUNG	NOTES
1	382547051/0	1	Plate	Piastra	Plaque	Platte	
2	182774225/1	2	Support	Supporto	Support	Halter	
3	112793102/0	6	Screw	Vite	Vis	Schraube	
4	112523060/0	6	Washer	Rosetta	Rondelle	Scheibe	
5	112293201/0	6	Nut	Dado	Ecrou	Mutter	
11	325774315/1	1	Bracket	Staffa	Etrier	Bride	
12	325755031/1	1	Bracket	Staffa	Etrier	Bride	
13	125510080/1	1	Pin	Perno	Pivot	Bolzen	
14	112292102/0	1	Nut	Dado	Ecrou	Mutter	
15	112735122/0	1	Screw	Vite	Vis	Schraube	
16	125430210/1	1	Spring	Molla	Ressort	Feder	
21	125600041/0	1	Micro Protection	Protezione Micro	Protection Micro	Schutz	
22	125600042/0	1	Micro Protection	Protezione Micro	Protection Micro	Schutz	
23	125318124/0	1	Micro Control Lever	Leva Comando Micro	Levier Microint.	Kontaktgeber Vollkorb	
24	112400030/0	1	Pin	Perno	Pivot	Bolzen	
25	112728510/0	1	Screw	Vite	Vis	Schraube	
26	325785272/0	1	Micro Protection	Micro Protection	Micro Protection	Micro Protection	
27	125600048/0	1	Protection Cover	Coperchio Protezione	Couvercle Protection	Schutzdeckel	
28	112728450/0	2	Screw	Vite	Vis	Schraube	
71	382800123/1	1	Upper Frame	Telaio Superiore	Chassis Superieur	Obererrahmen	
72	382800089/1	1	Front Frame	Telaio Bocca Sacco	Chassis Avant	Vorderrahmen	
73	325650117/0	2	Stiffening	Rinforzo	Renforcement	Verstaerkung	
74	118566110/0	2	Cap	Puntale	Bouchon	Pfropfen	
75	382650043/0	1	Lower Stiffening	Rinforzo Inferiore	Renforcement Inferieure	Obere Verstaerkung	
76	325547131/0	1	Plate	Piastra	Plaque	Platte	
77	112815210/0	6	Screw	Vite	Vis	Schraube	
79	112521330/0	2	Washer	Rosetta	Rondelle	Scheibe	
80	112154510/0	2	Nut	Dado	Ecrou	Mutter	
86	182105948/0	1	Grasscatcher	Confezione Sacco	Bac	Sack	
87	125869029/1	1	Lifting Tube	Lifting Tube	Lifting Tube	Lifting Tube	
88	125394508/0	1	Knob	Manopola	Poignee	Knopf	
89	112788800/0	1	Screw	Vite	Vis	Schraube	
90	112157000/0	1	Nut	Dado	Ecrou	Mutter	
99	382180110/0	1	Screw	Vite	Vis	Schraube	



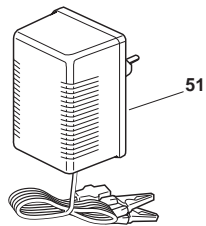
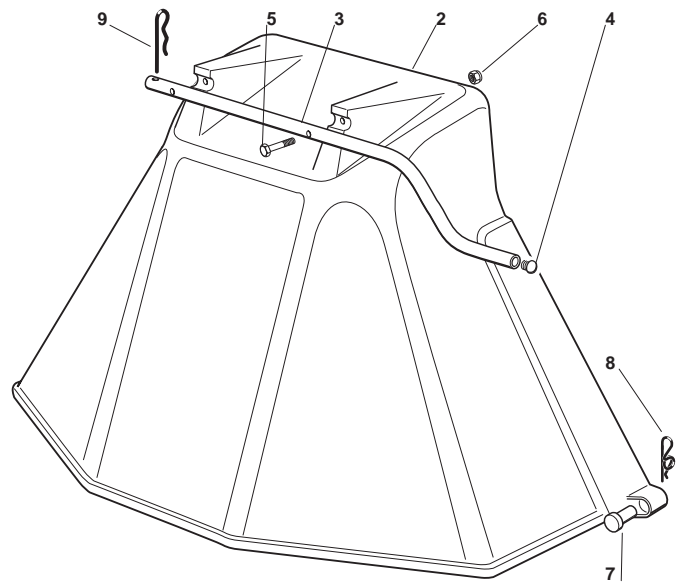
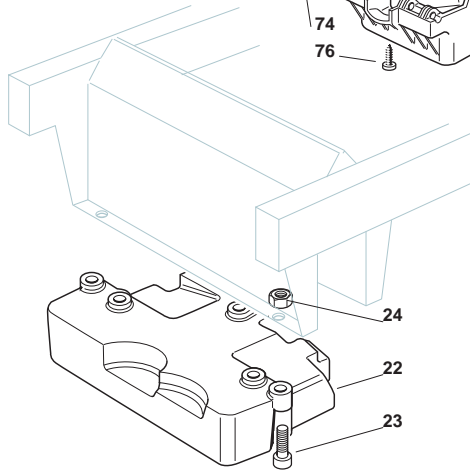
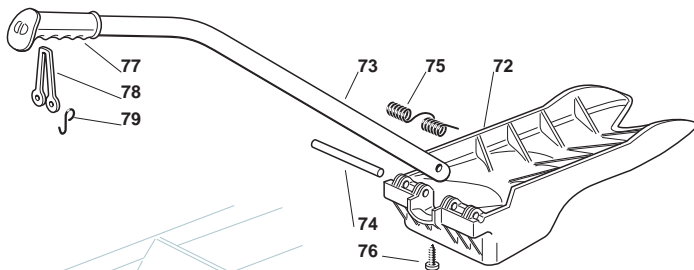
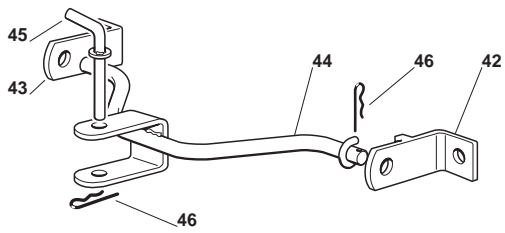
Grasscatcher

for model with grasscatcher electric lifting

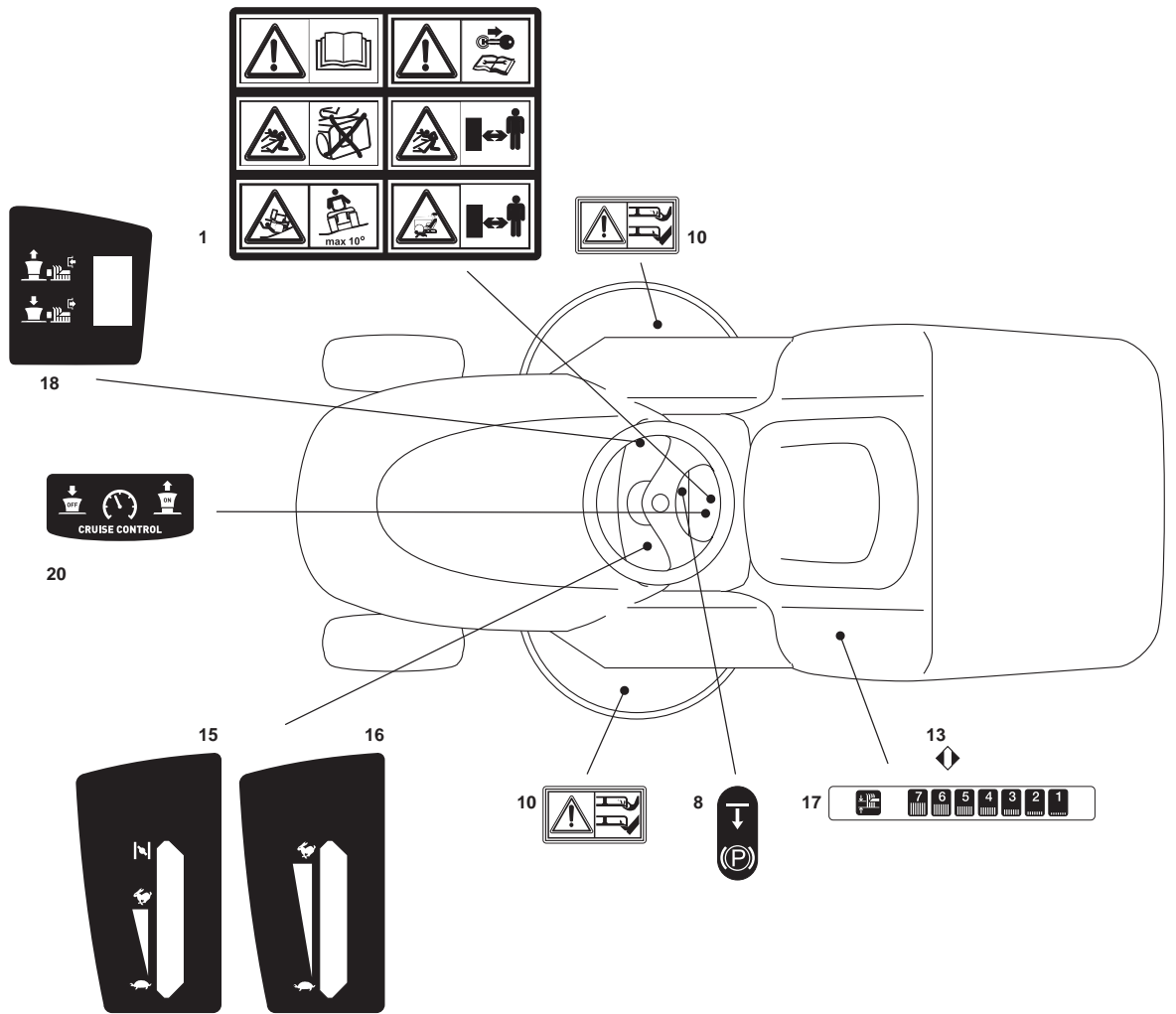
POS	CODE	Q.TY	DESCRIPTION	DESCRIZIONE	DESCRIPTION	BESCHREIBUNG	NOTES
1	382547053/0	1	Plate	Piastra	Plaque	Platte	
2	382774245/0	2	Support	Supporto	Support	Halter	
3	112793102/0	6	Screw	Vite	Vis	Schraube	
4	112523060/0	6	Washer	Rosetta	Rondelle	Scheibe	
5	112293201/0	6	Nut	Dado	Ecrou	Mutter	
11	325774315/1	1	Bracket	Staffa	Etrier	Bride	
12	325755031/1	1	Bracket	Staffa	Etrier	Bride	
13	125510080/1	1	Pin	Perno	Pivot	Bolzen	
14	112292102/0	1	Nut	Dado	Ecrou	Mutter	
15	112735122/0	1	Screw	Vite	Vis	Schraube	
16	125430210/1	1	Spring	Molla	Ressort	Feder	
21	125600041/0	1	Micro Protection	Protezione Micro	Protection Micro	Schutz	
22	125600042/0	1	Micro Protection	Protezione Micro	Protection Micro	Schutz	
23	125318124/0	1	Micro Control Lever	Leva Comando Micro	Levier Microint.	Kontaktgeber Vollkorb	
24	112400030/0	1	Pin	Perno	Pivot	Bolzen	
25	112728510/0	1	Screw	Vite	Vis	Schraube	
26	325785272/0	1	Micro Protection	Protezione Micro	Protection Micro	Schutz	
27	125600048/0	1	Protection Cover	Coperchio Protezione	Couvercle Protection	Schutzdeckel	
28	112728450/0	2	Screw	Vite	Vis	Schraube	
41	382000507/0	1	Axle	Asse Avanzamento	Axe	Achse	
42	325774317/0	2	Bracket	Staffa	Etrier	Bride	
43	112815210/0	4	Screw	Vite	Vis	Schraube	
44	112154510/0	4	Nut	Dado	Ecrou	Mutter	
45	118001000/0	1	Actuator	Attuatore	Actuateur	Aktuator	
46	125510083/0	1	Pin	Perno	Pivot	Bolzen	
47	112000955/0	2	Benzing Ring	Anello Benzing	Anneau Benzing	Ring Benzing	
48	325785197/0	1	Actuator Support Tc	Supporto Adattatore	Actuator Support Tc	Aktuator Halter	
49	325600060/0	1	Protection	Protezione	Protection	Schutz	
50	112727795/0	1	Screw	Vite	Vis	Schraube	
51	112291000/0	1	Hexagonal Nut	Dado	Ecrou	Mutter	
52	125510083/0	1	Pin	Perno	Pivot	Bolzen	
53	112000955/0	2	Benzing Ring	Anello Benzing	Anneau Benzing	Ring Benzing	
54	382650209/0	1	Stiffening	Rinforzo	Renforcement	Verstaerkung	
55	125065030/0	1	Connecting Cable	Cavo Collegamento	Cable De Connexion	Verbindungskabel	
61	382785147/0	2	Support	Supporto	Support	Halter	
62	125690001/0	2	Roll	Rullino	Rouleau	Walze	
63	112000956/0	2	Ring (Benzing)	Anello (Benzing)	Anneau (Benzing)	Ring (Benzing)	
64	112818690/0	4	Screw	Vite	Vis	Schraube	
65	112293201/0	4	Nut	Dado	Ecrou	Mutter	
71	382800123/1	1	Upper Frame	Telaio Superiore	Chassis Superieur	Obererrahmen	
72	382800089/1	1	Front Frame	Telaio Bocca Sacco	Chassis Avant	Vorderrahmen	
73	325650117/0	2	Stiffening	Rinforzo	Renforcement	Verstaerkung	
74	118566111/0	2	Cap	Tappo	Bouchon	Stopfen	
75	382650043/0	1	Lower Stiffening	Rinforzo Inferiore	Renforcement Inferieure	Obere Verstaerkung	
76	325547131/0	1	Plate	Piastra	Plaque	Platte	
77	112815210/0	6	Screw	Vite	Vis	Schraube	
79	112521330/0	2	Washer	Rosetta	Rondelle	Scheibe	
80	112154510/0	2	Nut	Dado	Ecrou	Mutter	
86	182105948/0	1	Grasscatcher	Confezione Sacco	Bac	Sack	
87	125869029/1	1	Lifting Tube	Lifting Tube	Lifting Tube	Lifting Tube	
88	125394508/0	1	Knob	Manopola	Poignee	Knopf	
89	112788800/0	1	Screw	Vite	Vis	Schraube	
90	112157000/0	1	Nut	Dado	Ecrou	Mutter	
98	325120232/0	1	Cap	Tappo	Bouchon	Stopfen	
99	382180111/0	1	Screw	Vite	Vis	Schraube	



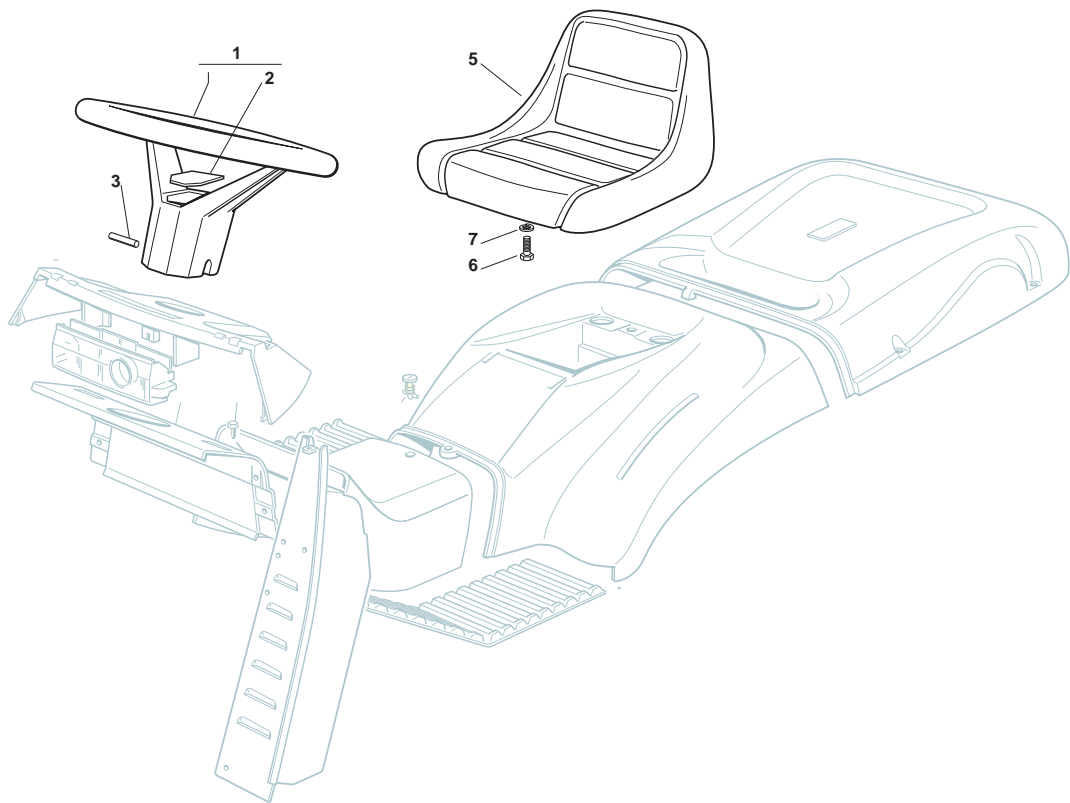
Electric Parts							
POS	CODE	Q.TY	DESCRIPTION	DESCRIZIONE	DESCRIPTION	BESCHREIBUNG	NOTES
1	382722420/2	1	Cards + Guards (A)	Schede + Protezioni (A)	Cartes + Protections (A)	Karte + Schutze (A)	
1	382722421/2	1	Cards + Guards (B)	Schede + Protezioni (B)	Cartes + Protections (B)	Karte + Schutze (B)	
1	382722422/3	1	Cards + Guards (D)	Schede + Protezioni (D)	Cartes + Protections (D)	Karte + Schutze (D)	
1	382722423/2	1	Cards + Guards (C)	Schede + Protezioni (C)	Cartes + Protections (C)	Karte + Schutze (C)	
2	112521320/0	2	Washer	Rosetta	Rondelle	Scheibe	
3	112154330/0	2	Low Self-Locking Nut	Dado Autobloccante	Écrou auto-bloquant	Selbstsichernde Mutter	
4	325031501/0	1	Deflector	Deflettore	Deflecteur	Abweiser	
8	133340035/0	1	Lamellar Fusible 15A	Lamellar Fusibile 15A	Lamellar Fusible 15A	Lamellar Fusible 15A	
8	133340036/0	1	Fuse 25 A	Fusibile 25 A	Fusible 25 A	Sicherung 25 A	
8	133340040/0	1	Fuse 10 A	Fusibile 10 A	Fusible 10 A	Sicherung 10 A	
9	133215000/0	2	Cover	Coperchio Membrana	Couvercle Membrane	Deckel Membran	
10	133500007/0	3	Fuse Carrier	Portafusibile	Tableau De Fusible	Sicherungshalter	
11	182040147/0	1	Cables Ass.Y	Cablaggio	Ens. Cablages	Kabelsatz	
11	182040148/0	1	Cables Ass.Y	Cablaggio	Ens. Cablages	Kabelsatz	
12	118450072/0	1	Starting Switch	Interruttore Avviamento	Interrupteur Demarrage	Schalter	
13	118550136/0	1	Spacer	Distanziale	Entretoise	Distanzring	
14	118550135/0	1	Washer	Rosetta	Rondelle	Scheibe	
15	118400862/0	1	Ring Nut	Ghiera	Embout	Nutmutter	
16	118210022/0	1	Starting Key	Chiave Avviamento	Clef A Demarrage	Schlüssel Für Start	
17	118120002/1	1	Battery	Batteria	Batterie	Batterie	
18	125430230/0	1	Spring	Molla	Ressort	Feder	
31	119410615/0	3	Micro Switch	Micro Interruttore	Microinterrupteur	Mikroschalter	
32	119410605/1	1	Micro Switch	Micro Interruttore	Microinterrupteur	Mikroschalter	
36	118450060/1	1	Switch	Interruttore	Interrupteur	Schalter	
38	118450068/0	1	Power switch	Interruttore	Interrupteur	Schalter	
41	182040073/0	1	Lamp Holder	Portalampane	Douille De Lampe	Scheinwerferlampe	
42	133500030/0	2	Lamp Holder	Portalampane	Douille De Lampe	Scheinwerferlampe	
43	118459100/0	2	Lamp For Lights	Lamp For Lights	Lamp For Lights	Lamp For Lights	
46	133500010/1	1	Plate	Piastra	Plaque	Platte	
47	112735170/0	1	Screw	Vite	Vis	Schraube	
51	133320506/0	5	Fairlead	Fermacavo	Fixation Cable	Kabelbefestigung	
52	133320504/0	1	Fairlead	Fermacavo	Fixation Cable	Kabelbefestigung	
54	118564864/1	1	Protection	Protezione	Protection	Schutz	
55	125290001/0	1	Fuel Level Indicator	Indicatore Livello	Indicateur Niveau	Kraftstoffmesser	



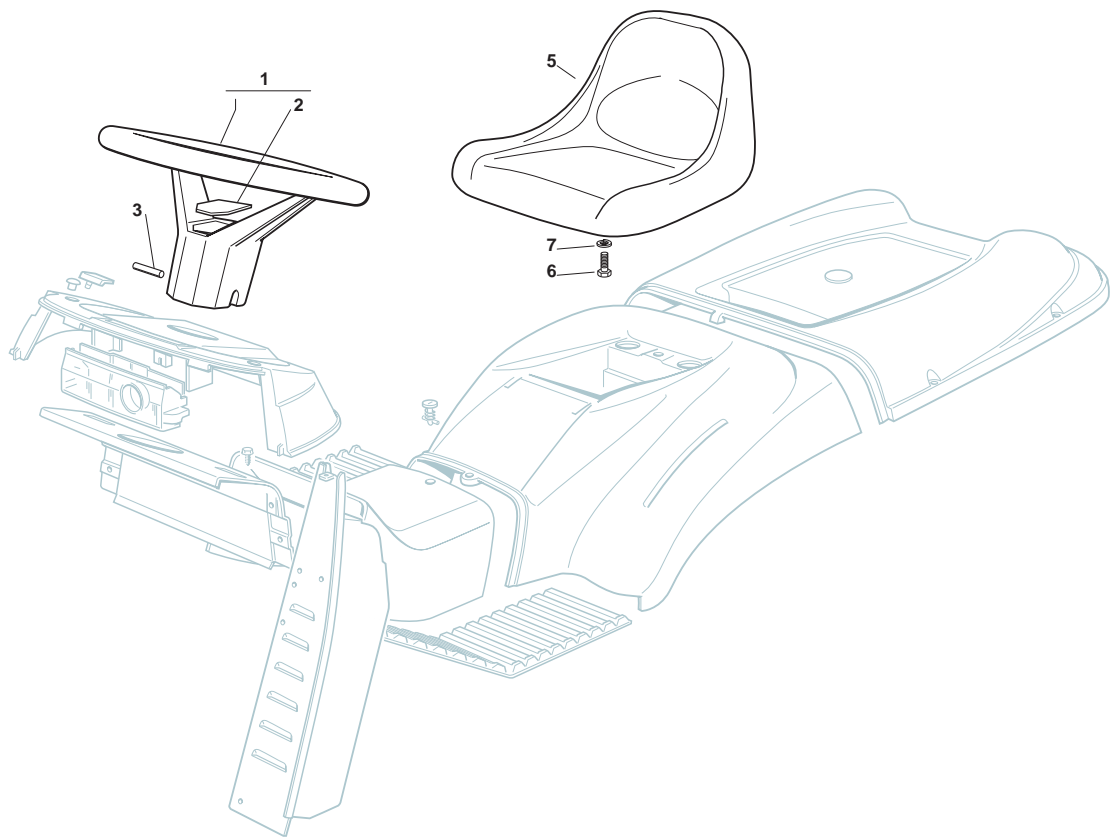
Optionals On Request							
POS	CODE	Q.TY	DESCRIPTION	DESCRIZIONE	DESCRIPTION	BESCHREIBUNG	NOTES
2	382400003/1	1	Ejection Guard	Ejection Guard	Ejection Guard	Ejection Guard	
3	325869043/0	1	Rear Support	Supporto Posteriore	Support Arriere	Rear Support	
4	118566112/0	2	Cap	Puntale	Bouchon	Gummistopfen	
5	112689515/0	2	Screw	Vite	Vis	Schraube	
6	112154510/0	2	Nut	Dado	Ecrou	Mutter	
7	125510022/0	2	Pin	Perno	Pivot	Bolzen	
8	124487998/0	2	Cotter Pin	Coppiglia	Goupille	Split	
9	124487999/0	1	Spring Pin	Coppiglia	Goupille	Split	
22	125519997/1	1	Front Weight Tc	Peso	Poids	Gewicht	
23	112760520/0	3	Screw	Vite	Vis	Schraube	
24	112155000/0	3	Nut	Dado	Ecrou	Mutter	
42	382735502/0	1	Bracket	Staffa	Etrier	Bride	
43	325774213/0	1	Bracket	Staffa	Etrier	Bride	
44	382033105/1	1	Rod	Asta	Tige	Stange	
45	125510021/1	1	Hitch Pin	Perno	Pivot	Bolzen	
46	124487999/0	2	Spring Pin	Coppiglia	Goupille	Split	
51	182180050/0	1	Battery Charger 0,6A	Carica Batteria 0,6A	Chargeur De Batterie 0,6A	Batterieladegerät 0,6A	
51	182180052/0	1	Battery Charger 0,6A (Uk)	Carica Batteria 0,6A (Uk)	Chargeur De Batterie 0,6A (Uk)	Batterieladegerät 0,6A (Uk)	
72	325140097/0	1	Deflector	Deflettore	Deflecteur	Abweiser	
73	325394005/0	1	Handle	Corrimano	Main-Courante	Handlauf	
74	125510077/0	1	Pin	Perno	Pivot	Bolzen	
75	125430245/0	1	Spring	Molla	Ressort	Feder	
76	112735405/0	1	Screw	Vite	Vis	Schraube	
77	325280000/1	1	Handgrip	Impugnatura	Poignée	Handgriff	
78	125840011/1	1	Tie Rod	Tirante	Tirant	Spannstange	
79	125253004/0	2	Mulch.Kit Fixing Hook	Gancio Fissaggio Kit Mulching	Crochet Fixage Kit Mulching	MulchingHaken	



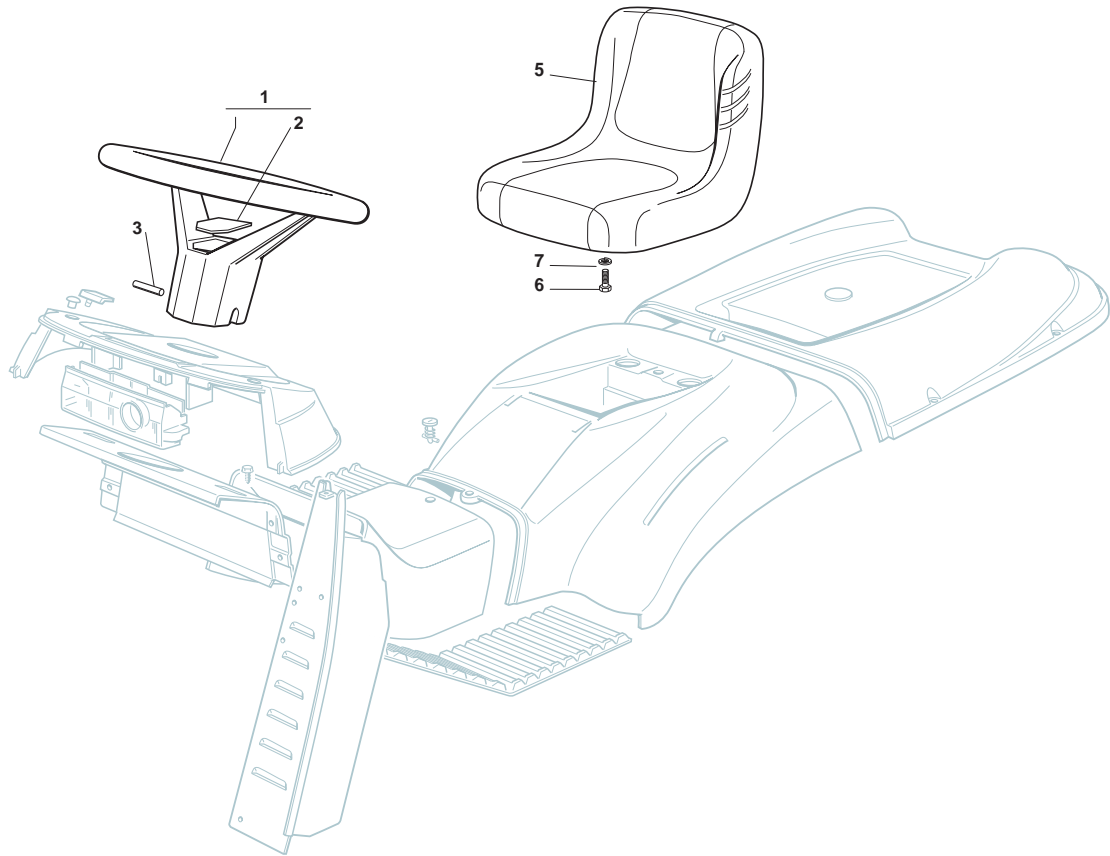
Labels							
POS	CODE	Q.TY	DESCRIPTION	DESCRIZIONE	DESCRIPTION	BESCHREIBUNG	NOTES
1	114357428/1	1	Label	Etichetta	Etiquette	Etikett	
8	114357526/1	1	Label	Etichetta	Etiquette	Etikett	
10	114356699/1	2	Label	Etichetta	Etiquette	Etikett	
13	114357913/0	1	Label	Etichetta	Etiquette	Etikett	
15	114360717/0	1	Label	Etichetta	Etiquette	Etikett	
16	114360716/0	1	Label	Etichetta	Etiquette	Etikett	
17	114360719/0	1	Label	Etichetta	Etiquette	Etikett	
18	114360715/2	1	Label	Etichetta	Etiquette	Etikett	
20	114365612/0	1	Label	Etichetta	Etiquette	Etikett	Only with Cruise Control



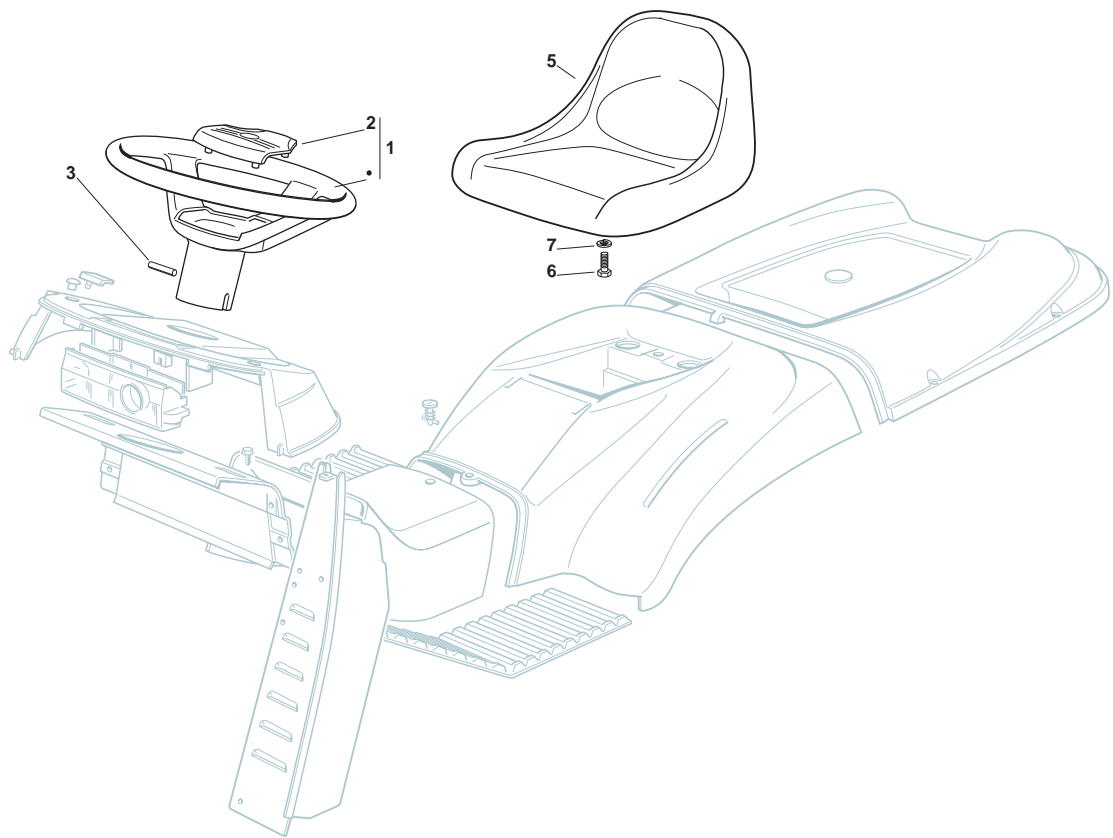
Seat & Steering Wheel							
POS	CODE	Q.TY	DESCRIPTION	DESCRIZIONE	DESCRIPTION	BESCHREIBUNG	NOTES
1	125961213/0	1	Steering Wheel	Volante	Volant	Lenkrad	
2	325120231/0	1	Cap	Tappo	Bouchon	Stopfen	
3	112620299/0	1	Elastic Pin	Spina Elastica	Goupille Élastique	Elastischer Stift	
5	125722450/1	1	Seat	Seat	Seat	Seat	
6	112793102/0	4	Screw	Vite	Vis	Schraube	
7	112583500/0	4	Grower	Grower	Grower	Federring	



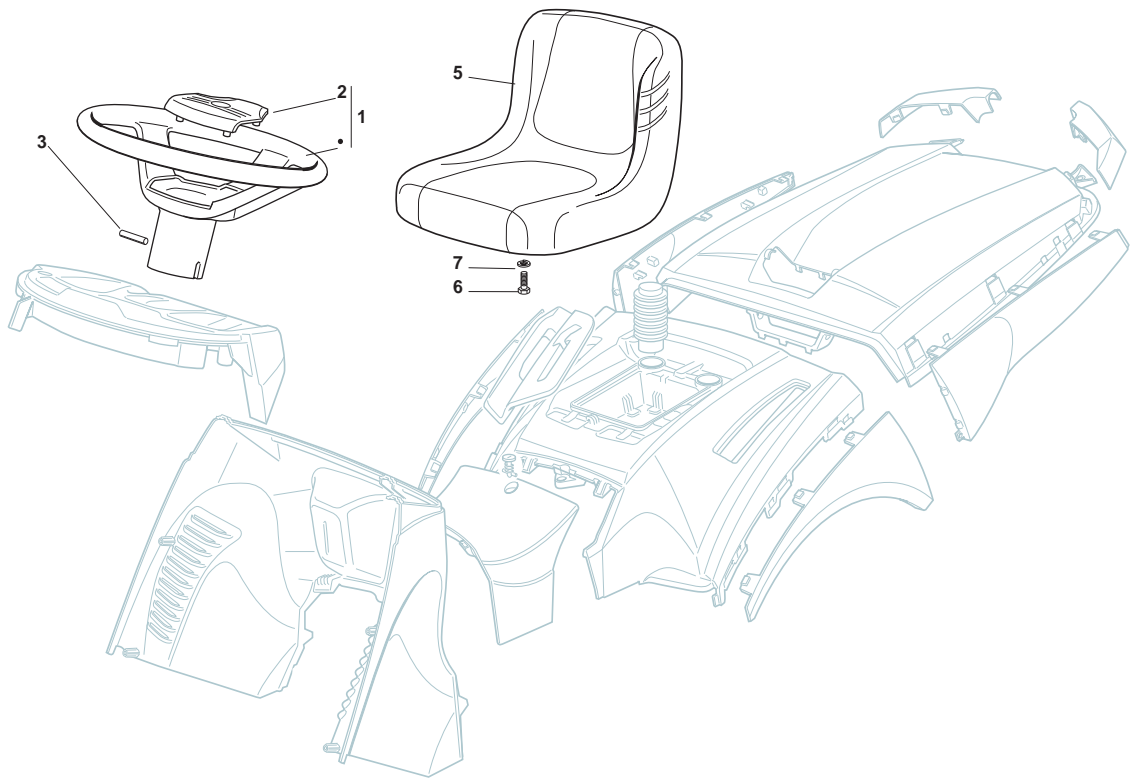
Seat & Steering Wheel							
POS	CODE	Q.TY	DESCRIPTION	DESCRIZIONE	DESCRIPTION	BESCHREIBUNG	NOTES
1	125961213/0	1	Steering Wheel	Volante	Volant	Lenkrad	
2	325120231/0	1	Cap	Tappo	Bouchon	Stopfen	
3	112620299/0	1	Elastic Pin	Spina Elastica	Goupille Élastique	Elastischer Stift	
5	125722451/2	1	Seat	Seat	Seat	Seat	
6	112793102/0	4	Screw	Vite	Vis	Schraube	
7	112583500/0	4	Grower	Grower	Grower	Federring	



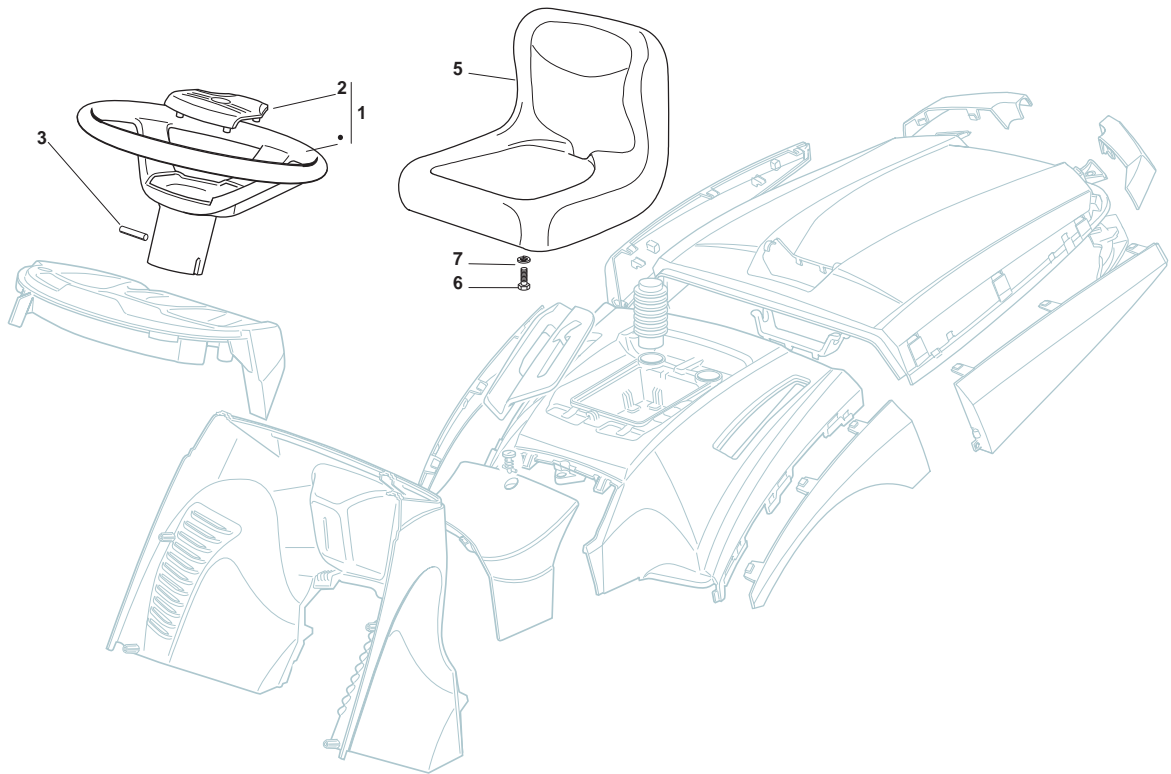
Seat & Steering Wheel							
POS	CODE	Q.TY	DESCRIPTION	DESCRIZIONE	DESCRIPTION	BESCHREIBUNG	NOTES
1	125961213/0	1	Steering Wheel	Volante	Volant	Lenkrad	
2	325120231/0	1	Cap	Tappo	Bouchon	Stopfen	
3	112620299/0	1	Elastic Pin	Spina Elastica	Goupille Élastique	Elastischer Stift	
5	125722459/0	1	Seat	Seat	Seat	Seat	
6	112793102/0	4	Screw	Vite	Vis	Schraube	
7	112583500/0	4	Grower	Grower	Grower	Federring	



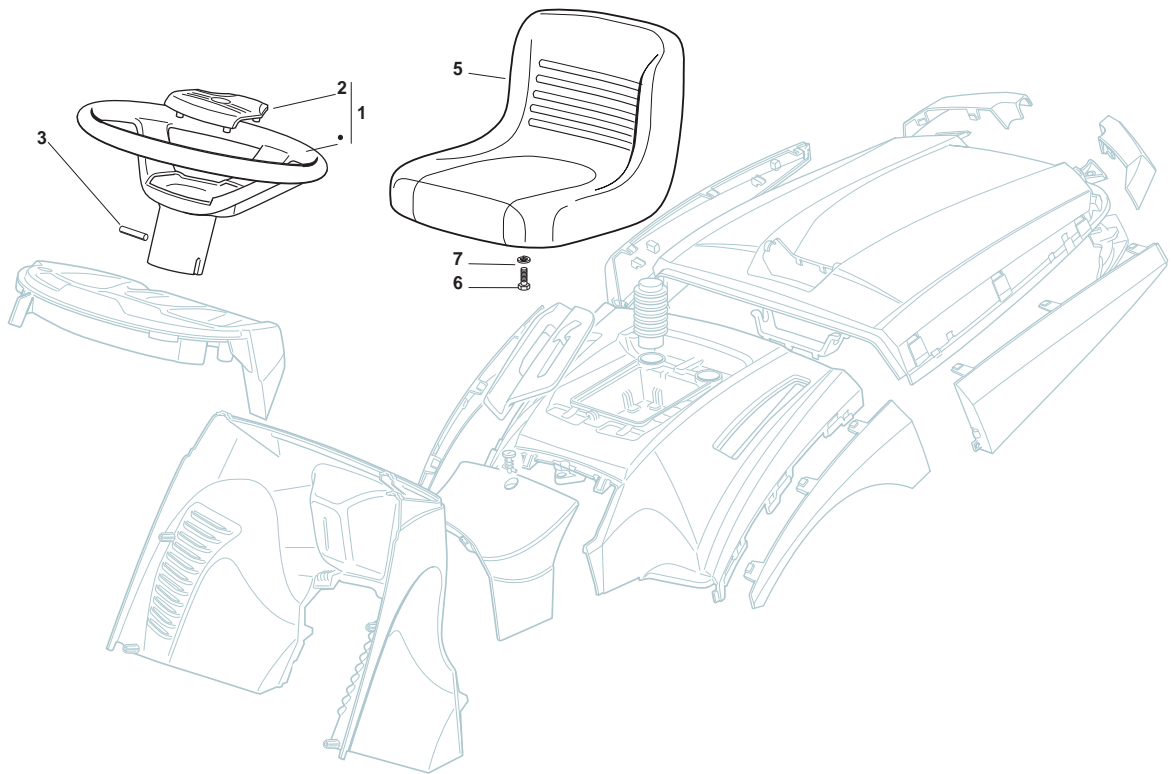
Seat & Steering Wheel							
POS	CODE	Q.TY	DESCRIPTION	DESCRIZIONE	DESCRIPTION	BESCHREIBUNG	NOTES
1	125961214/1	1	Steering Wheel	Volante	Volant	Lenkrad	Grey
1	125961217/1	1	Steering Wheel	Volante	Volant	Lenkrad	Black
2	325580500/0	1	Cap	Tappo	Bouchon	Stopfen	
2	325580505/0	1	Cap	Tappo	Bouchon	Stopfen	
3	112620299/0	1	Elastic Pin	Spina Elastica	Goupille Élastique	Elastischer Stift	
5	125722451/2	1	Seat	Seat	Seat	Seat	
6	112793102/0	4	Screw	Vite	Vis	Schraube	
7	112583500/0	4	Grower	Grower	Grower	Federring	



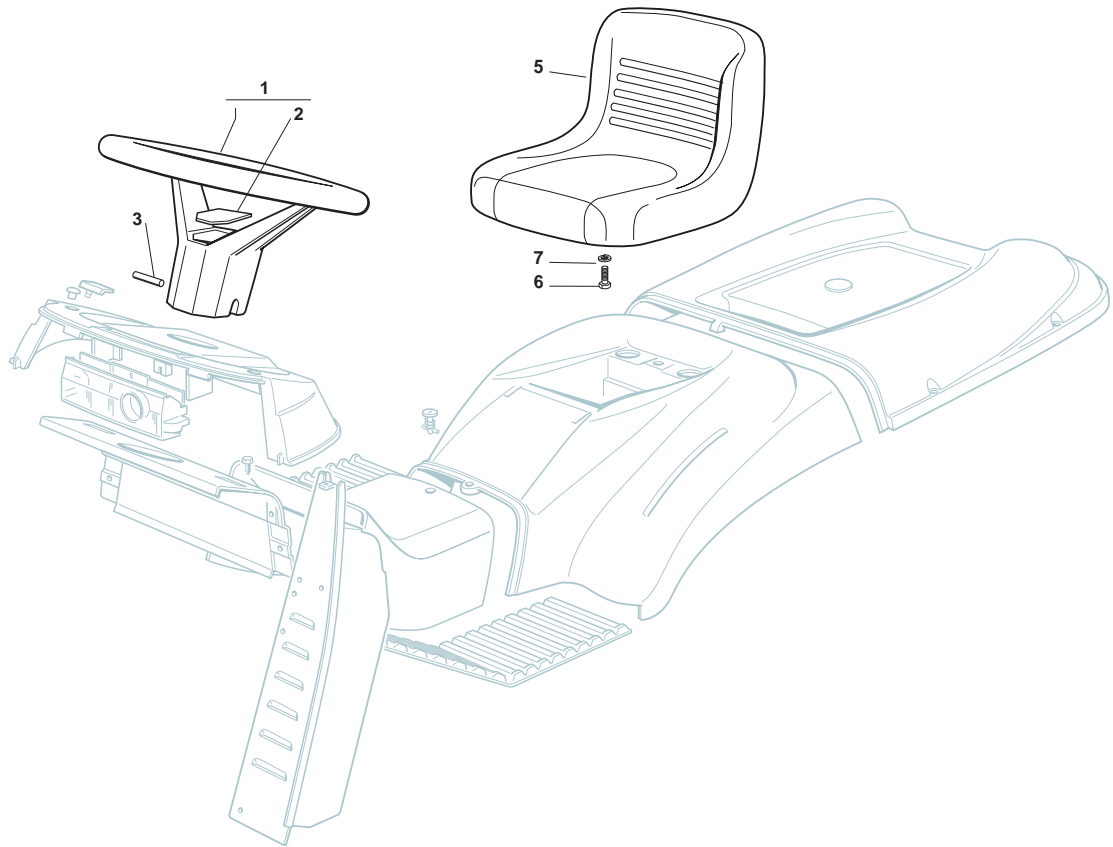
Seat & Steering Wheel							
POS	CODE	Q.TY	DESCRIPTION	DESCRIZIONE	DESCRIPTION	BESCHREIBUNG	NOTES
1	125961214/1	1	Steering Wheel	Volante	Volant	Lenkrad	Grey
1	125961217/1	1	Steering Wheel	Volante	Volant	Lenkrad	Black
2	325580500/0	1	Cap	Tappo	Bouchon	Stopfen	
2	325580505/0	1	Cap	Tappo	Bouchon	Stopfen	
3	112620299/0	1	Elastic Pin	Spina Elastica	Goupille Élastique	Elastischer Stift	
5	125722459/0	1	Seat	Seat	Seat	Seat	
6	112793102/0	4	Screw	Vite	Vis	Schraube	
7	112583500/0	4	Grower	Grower	Grower	Federring	



Seat & Steering Wheel							
POS	CODE	Q.TY	DESCRIPTION	DESCRIZIONE	DESCRIPTION	BESCHREIBUNG	NOTES
1	125961210/1	1	Steering Wheel	Volante	Volant	Lenkrad	
2	325580501/0	1	Cap	Tappo	Bouchon	Stopfen	
3	112620299/0	1	Elastic Pin	Spina Elastica	Goupille Élastique	Elastischer Stift	
5	125722457/0	1	Seat	Sedile	Siege	Sitz	
6	112793102/0	4	Screw	Vite	Vis	Schraube	
7	112583500/0	4	Grower	Grower	Grower	Federring	

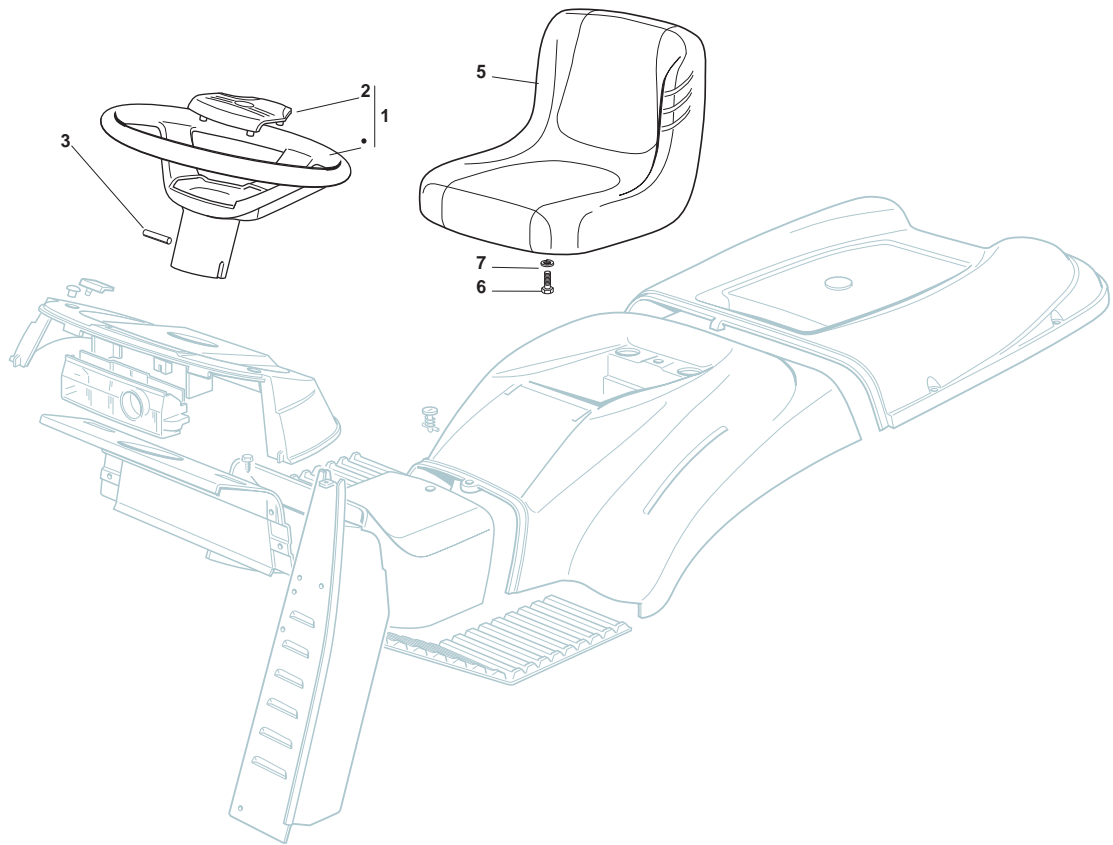


Seat & Steering Wheel							
POS	CODE	Q.TY	DESCRIPTION	DESCRIZIONE	DESCRIPTION	BESCHREIBUNG	NOTES
1	125961217/1	1	Steering Wheel	Volante	Volant	Lenkrad	
2	325580505/0	1	Cap	Tappo	Bouchon	Stopfen	
3	112620299/0	1	Elastic Pin	Spina Elastica	Goupille Élastique	Elastischer Stift	
5	125722471/0	1	Seat	Sedile	Siege	Sitz	
6	112793102/0	4	Screw	Vite	Vis	Schraube	
7	112583500/0	4	Grower	Grower	Grower	Federring	



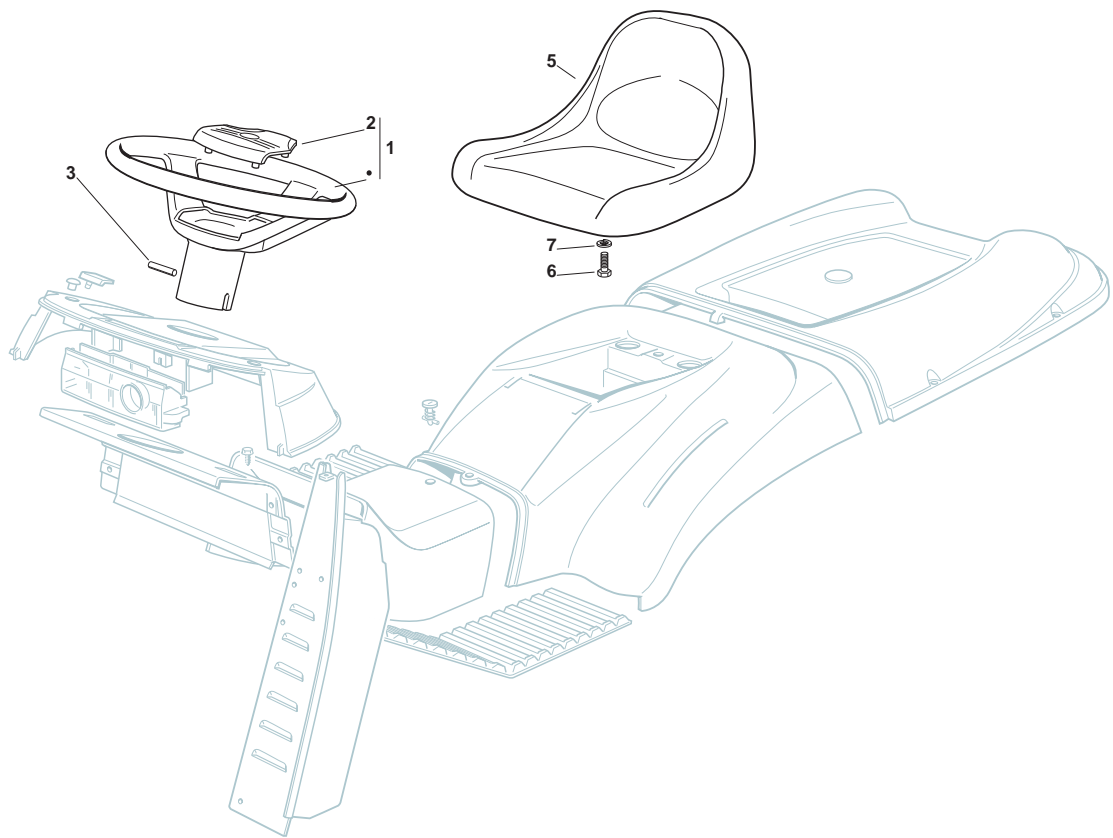
Seat & Steering Wheel

POS	CODE	Q.TY	DESCRIPTION	DESCRIZIONE	DESCRIPTION	BESCHREIBUNG	NOTES
1	125961213/0	1	Steering Wheel	Volante	Volant	Lenkrad	
2	325120231/0	1	Cap	Tappo	Bouchon	Stopfen	
3	112620299/0	1	Elastic Pin	Spina Elastica	Goupille Élastique	Elastischer Stift	
5	125722467/1	1	Seat	Sedile	Siege	Sitz	
6	112793102/0	4	Screw	Vite	Vis	Schraube	
7	112583500/0	4	Grower	Grower	Grower	Federring	



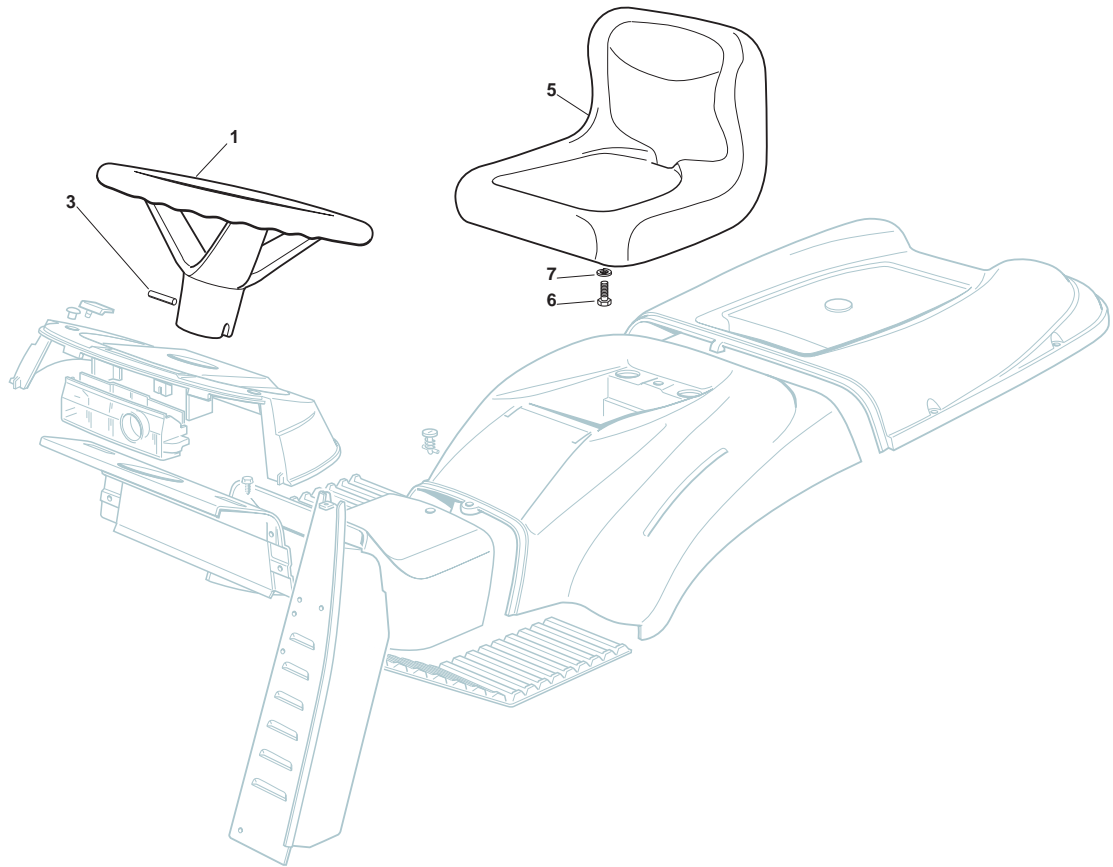
Seat & Steering Wheel

POS	CODE	Q.TY	DESCRIPTION	DESCRIZIONE	DESCRIPTION	BESCHREIBUNG	NOTES
1	125961217/1	1	Steering Wheel	Volante	Volant	Lenkrad	
2	325580505/0	1	Cap	Tappo	Bouchon	Stopfen	
3	112620299/0	1	Elastic Pin	Spina Elastica	Goupille Élastique	Elastischer Stift	
5	125722459/0	1	Seat	Sedile	Siege	Sitz	
6	112793102/0	4	Screw	Vite	Vis	Schraube	
7	112583500/0	4	Grower	Grower	Grower	Federring	



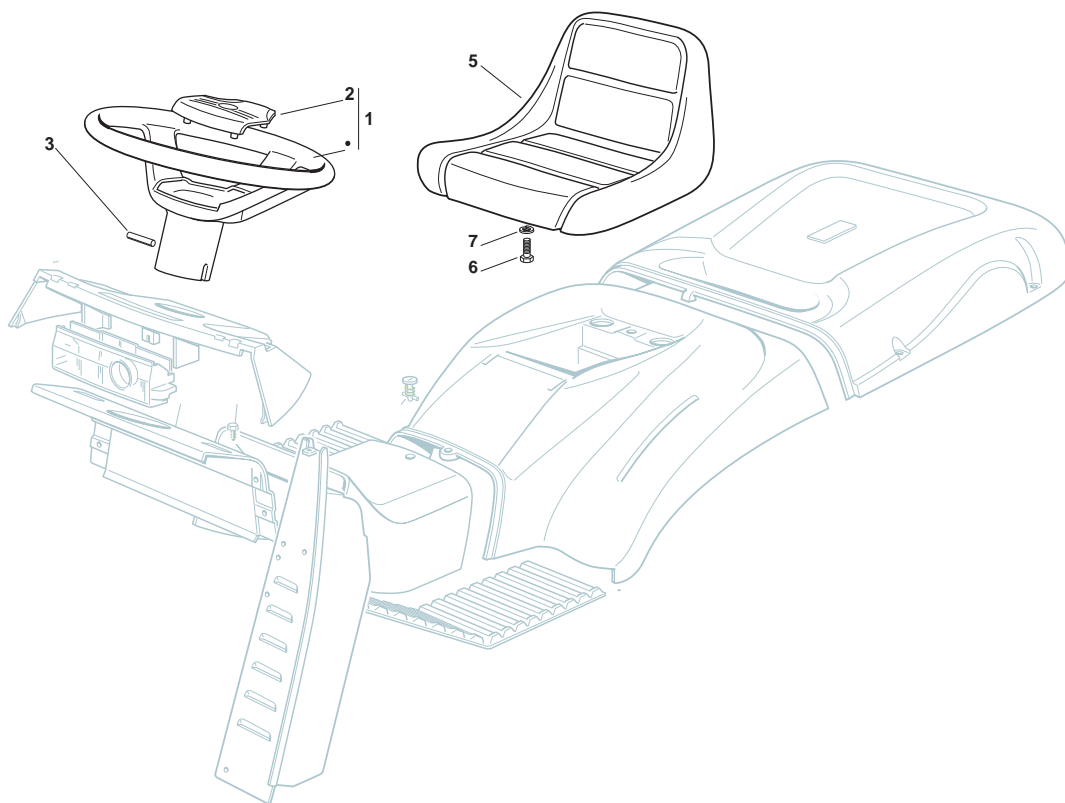
Seat & Steering Wheel

POS	CODE	Q.TY	DESCRIPTION	DESCRIZIONE	DESCRIPTION	BESCHREIBUNG	NOTES
1	125961217/1	1	Steering Wheel	Volante	Volant	Lenkrad	
2	325580505/0	1	Cap	Tappo	Bouchon	Stopfen	
3	112620299/0	1	Elastic Pin	Spina Elastica	Goupille Élastique	Elastischer Stift	
5	125722451/2	1	Seat	Sedile	Siege	Sitz	
6	112793102/0	4	Screw	Vite	Vis	Schraube	
7	112583500/0	4	Grower	Grower	Grower	Federring	



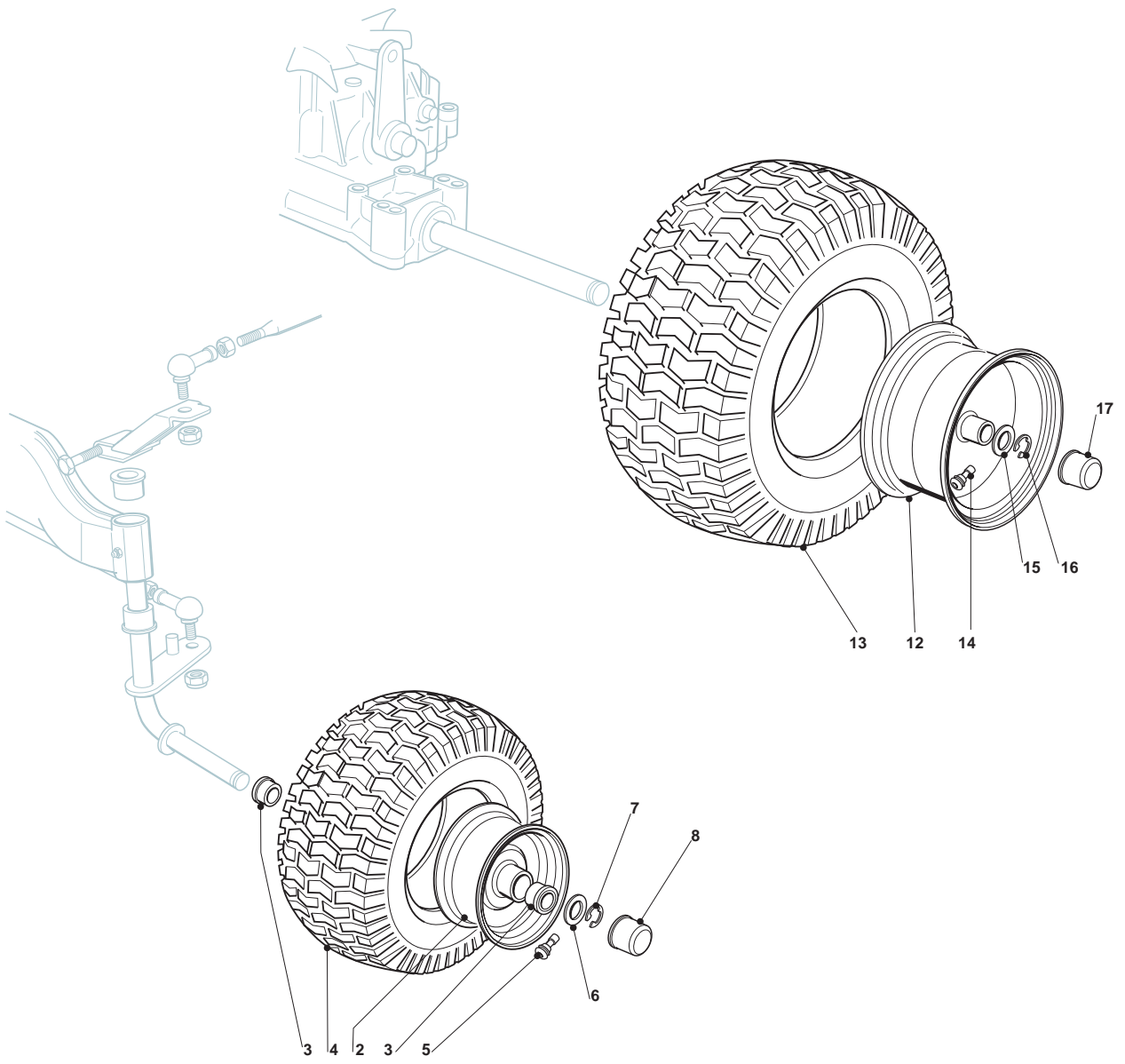
Seat & Steering Wheel

POS	CODE	Q.TY	DESCRIPTION	DESCRIZIONE	DESCRIPTION	BESCHREIBUNG	NOTES
1	125961206/0	1	Steering Wheel	Volante	Volant	Lenkrad	
3	112620299/0	1	Elastic Pin	Spina Elastica	Goupille Élastique	Elastischer Stift	
5	125722457/0	1	Seat	Sedile	Siege	Sitz	
6	112793102/0	4	Screw	Vite	Vis	Schraube	
7	112583500/0	4	Grower	Grower	Grower	Federring	

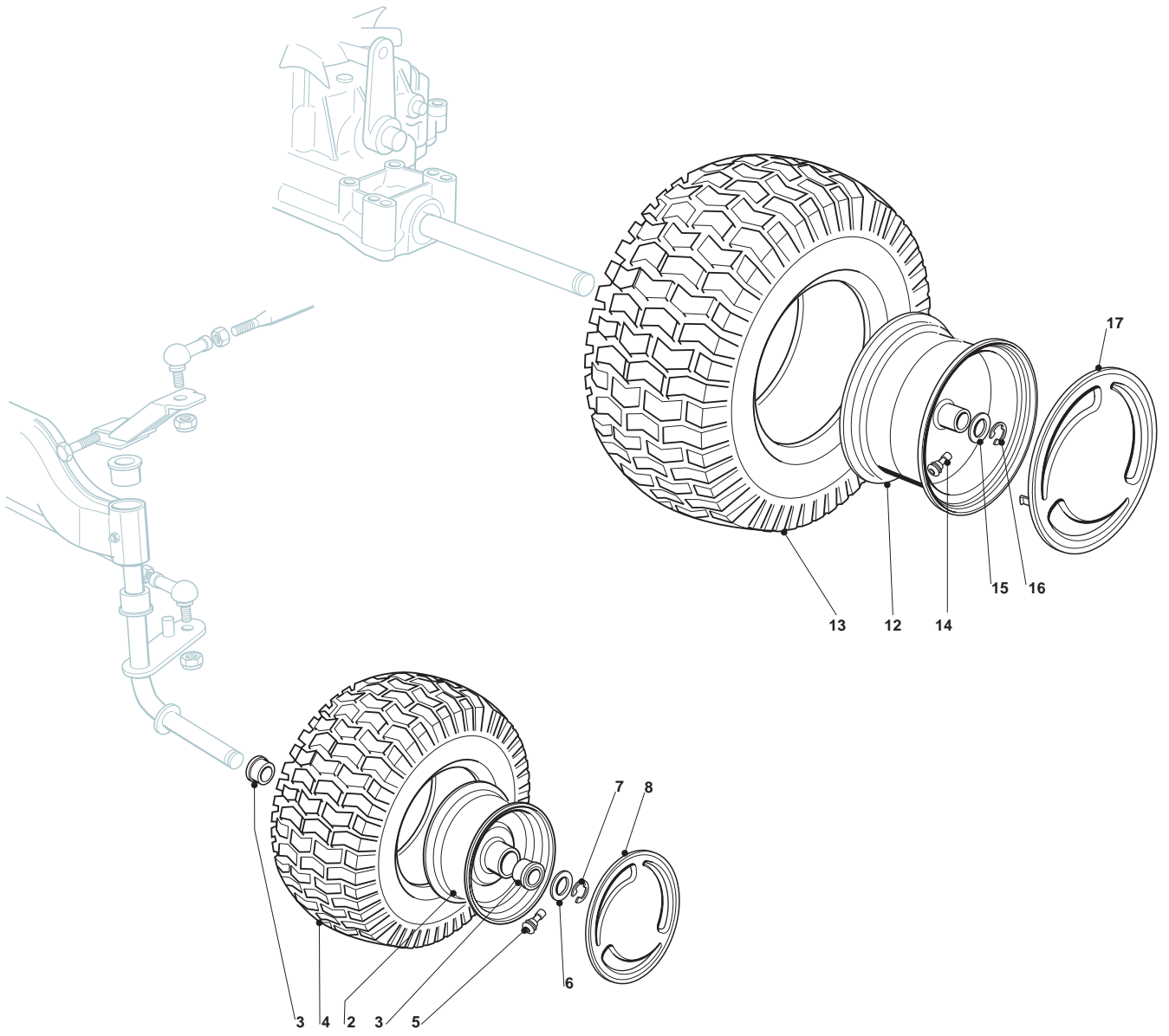


Seat & Steering Wheel

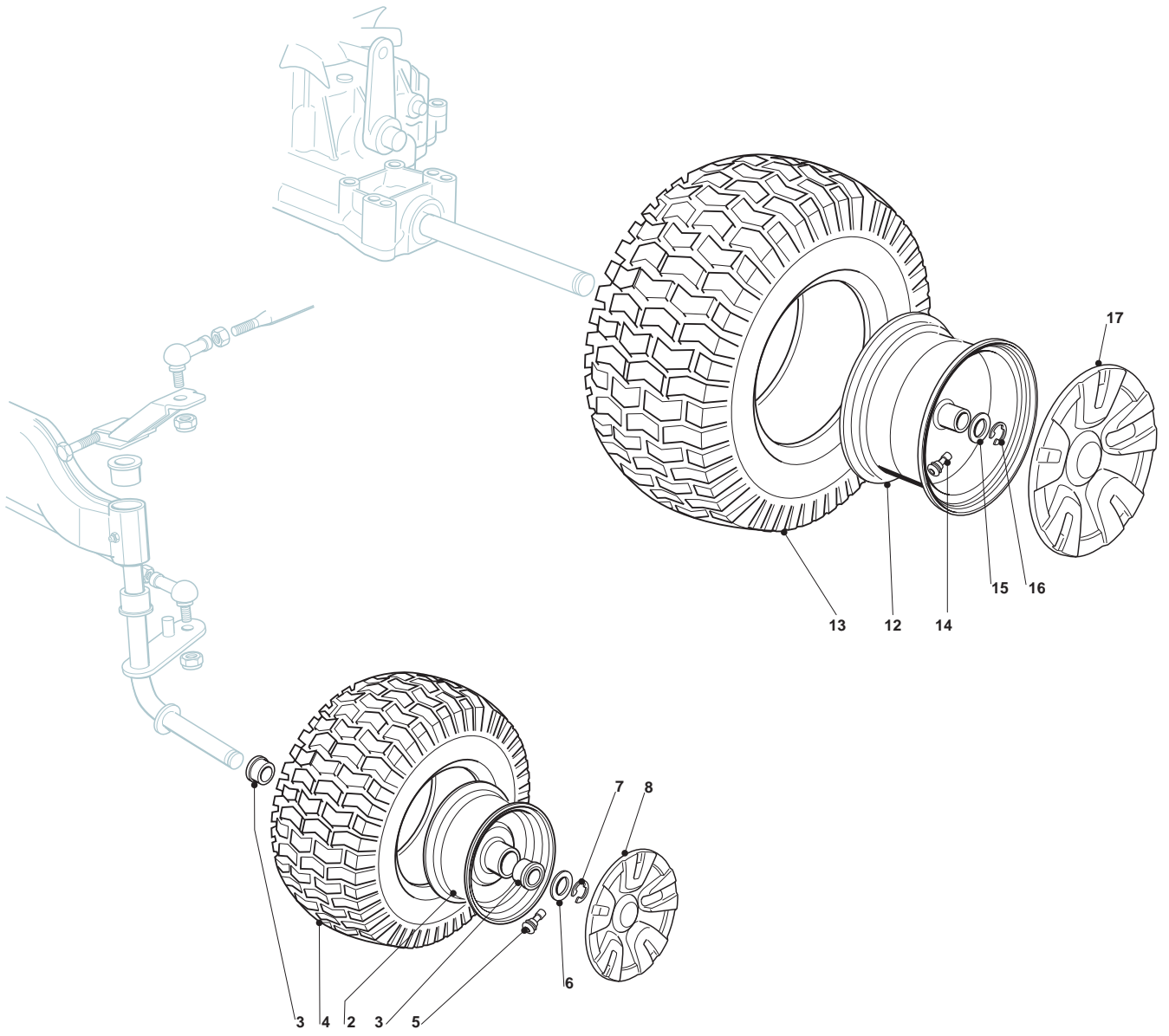
POS	CODE	Q.TY	DESCRIPTION	DESCRIZIONE	DESCRIPTION	BESCHREIBUNG	NOTES
1	125961214/1	1	Steering Wheel	Volante	Volant	Lenkrad	
2	325580500/0	1	Cap	Tappo	Bouchon	Stopfen	
3	112620299/0	1	Elastic Pin	Spina Elastica	Goupille Élastique	Elastischer Stift	
5	125722450/1	1	Seat	Sedile	Siege	Sitz	
6	112793102/0	4	Screw	Vite	Vis	Schraube	
7	112583500/0	4	Grower	Grower	Grower	Federring	



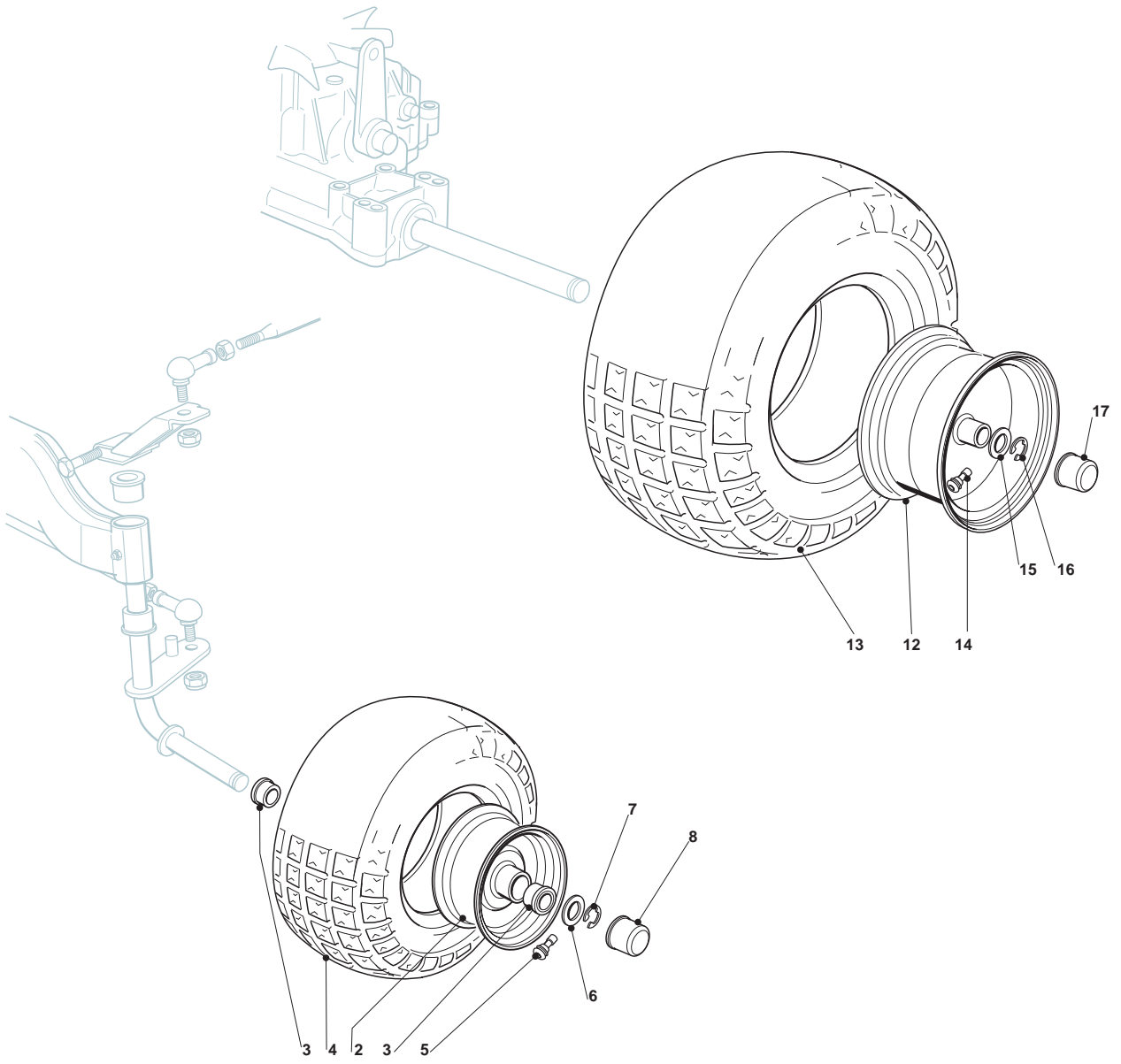
Wheels							
POS	CODE	Q.TY	DESCRIPTION	DESCRIZIONE	DESCRIPTION	BESCHREIBUNG	NOTES
2	182000598/0	2	Rimm	Cerchio Ruota	Bandage Roue	Vorderrad Felger	
3	125122200/2	4	Bearing	Cuscinetto	Roul. À Billes	Kugellager	
4	125590014/0	2	Tyre	Pneumatico	Pneu	Reifen	13"
4	125590019/0	2	Tyre	Pneumatico	Pneu	Reifen	15"
5	125950000/0	2	Valve	Valvola	Vanne	Ventil	
6	125670005/1	2	Washer	Rosetta	Rondelle	Scheibe	
7	112001000/0	2	Benzing Ring	Anello Benzing	Anneau Benzing	Ring Benzing	
8	122110230/0	2	Hub Cover	Hub Cover	Hub Cover	Hub Cover	
12	182000599/0	2	Rimm	Cerchio Ruota	Bandage Roue	Vorderrad Felger	
13	125590015/0	2	Tyre	Pneumatico	Pneu	Reifen	
14	125950000/0	2	Valve	Valvola	Vanne	Ventil	
15	125670005/1	2	Washer	Rosetta	Rondelle	Scheibe	
16	112001010/0	2	Benzing Ring	Anello Benzing	Anneau Benzing	Ring Benzing	
17	122110230/0	2	Hub Cover	Coprismozzo	Couvre Moyeu	Nabendeckel	



Wheels							
POS	CODE	Q.TY	DESCRIPTION	DESCRIZIONE	DESCRIPTION	BESCHREIBUNG	NOTES
2	182000598/0	2	Rimm	Cerchio Ruota	Bandage Roue	Vorderrad Felger	
3	125122200/2	4	Bearing	Cuscinetto	Roul. À Billes	Kugellager	
4	125590014/0	2	Tyre	Pneumatico	Pneu	Reifen	13"
4	125590019/0	2	Tyre	Pneumatico	Pneu	Reifen	15"
5	125950000/0	2	Valve	Valvola	Vanne	Ventil	
6	125670005/1	2	Washer	Rosetta	Rondelle	Scheibe	
7	112001000/0	2	Benzing Ring	Anello Benzing	Anneau Benzing	Ring Benzing	
8	382110252/0	2	Front Wheel Cover	Copridisco Ruota Anteriore	Couvre Disque Roue Avant	Front Wheel Cover	
12	182000599/0	2	Rimm	Cerchio Ruota	Bandage Roue	Vorderrad Felger	
13	125590015/0	2	Tyre	Pneumatico	Pneu	Reifen	
14	125950000/0	2	Valve	Valvola	Vanne	Ventil	
15	125670005/1	2	Washer	Rosetta	Rondelle	Scheibe	
16	112001010/0	2	Benzing Ring	Anello Benzing	Anneau Benzing	Ring Benzing	
17	382110253/0	2	Hub Cover	Coprimozzo	Couvre Moyeu	Nabendeckel	



Wheels							
POS	CODE	Q.TY	DESCRIPTION	DESCRIZIONE	DESCRIPTION	BESCHREIBUNG	NOTES
2	182000598/0	2	Rimm	Cerchio Ruota	Bandage Roue	Vorderrad Felger	
3	125122200/2	4	Bearing	Cuscinetto	Roul. À Billes	Kugellager	
4	125590014/0	2	Tyre	Pneumatico	Pneu	Reifen	13"
4	125590019/0	2	Tyre	Pneumatico	Pneu	Reifen	15"
5	125950000/0	2	Valve	Valvola	Vanne	Ventil	
6	125670005/1	2	Washer	Rosetta	Rondelle	Scheibe	
7	112001000/0	2	Benzing Ring	Anello Benzing	Anneau Benzing	Ring Benzing	
8	382110274/0	2	Hub Cover	Coprizzo	Couvre Moyeu	Nabendeckel	
12	182000599/0	2	Rimm	Cerchio Ruota	Bandage Roue	Vorderrad Felger	
13	125590015/0	2	Tyre	Pneumatico	Pneu	Reifen	
14	125950000/0	2	Valve	Valvola	Vanne	Ventil	
15	125670005/1	2	Washer	Rosetta	Rondelle	Scheibe	
16	112001010/0	2	Benzing Ring	Anello Benzing	Anneau Benzing	Ring Benzing	
17	382110275/0	2	Rear Wheel Deck	Copriruota Posteriore	Couvre Roue Post.	Hinterraddeckel	



Wheels							
POS	CODE	Q.TY	DESCRIPTION	DESCRIZIONE	DESCRIPTION	BESCHREIBUNG	NOTES
2	182000590/1	2	Rimm	Cerchio Ruota	Bandage Roue	Vorderrad Felger	
3	125122200/2	4	Bearing	Cuscinetto	Roul. À Billes	Kugellager	
4	125590020/0	2	Tyre	Pneumatico	Pneu	Reifen	
5	125950000/0	2	Valve	Valvola	Vanne	Ventil	
6	125670005/1	2	Washer	Rosetta	Rondelle	Scheibe	
7	112001000/0	2	Benzing Ring	Anello Benzing	Anneau Benzing	Ring Benzing	
8	122110230/0	2	Hub Cover	Hub Cover	Hub Cover	Hub Cover	
12	182000592/0	2	Rear Wheel Rimm	Cerchio Ruota Posteriore	Bandage Roue Arriere	Hinterrad Felger	
13	125590022/0	2	Tyre	Pneumatico	Pneu	Reifen	
14	125950000/0	2	Valve	Valvola	Vanne	Ventil	
15	125670005/1	2	Washer	Rosetta	Rondelle	Scheibe	
16	112001010/0	2	Benzing Ring	Anello Benzing	Anneau Benzing	Ring Benzing	
17	122110230/0	2	Hub Cover	Coprizzo	Couvre Moyeu	Nabendeckel	