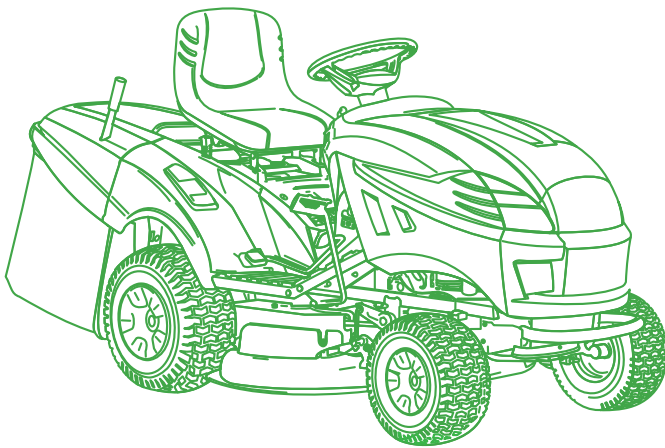


ILLUSTRATED PARTS LIST

NJA 102



- Use GLOBAL GARDEN PRODUCT Genuine Spare Parts specified in the parts list for repair and/or replacement.
- The contents described in the parts list may change due to improvement.
- The drawings of the spare parts are only indicative and might not represent the part in question exactly.
- The indications "right" - "left" - "front" - "rear" refer to the position of the operator when using the machine.
- When placing orders of parts for repair and/or replacement, make sure that the illustrated parts list is the one applying to the machine's year of manufacture, as shown on the identification plate attached to the machine.

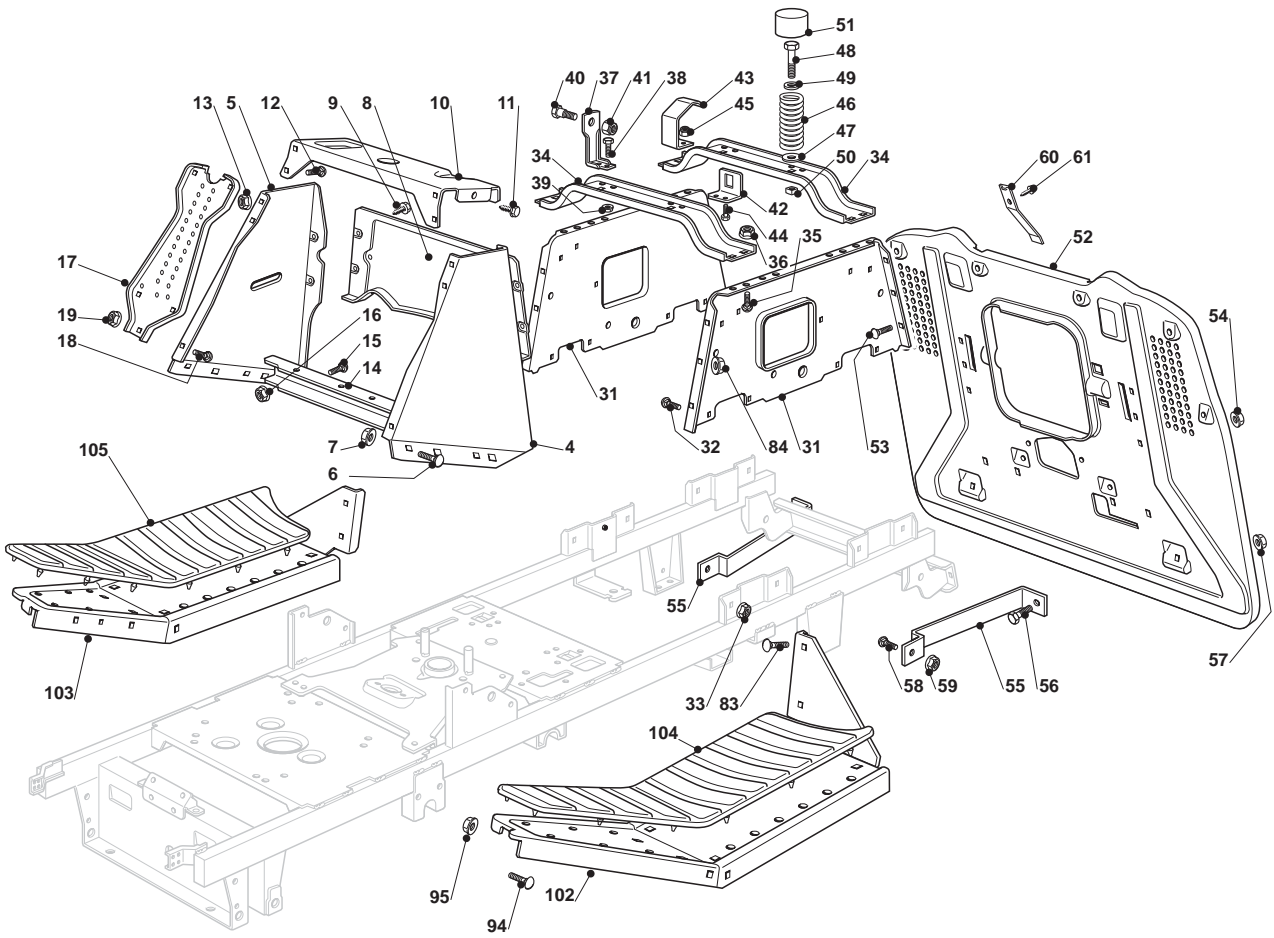
© Copyright 2013 Global Garden Products

All content is subject to copyright by Global Garden Products and may not be reproduced in whole or in part by any means, electronic or otherwise, without prior written approval.

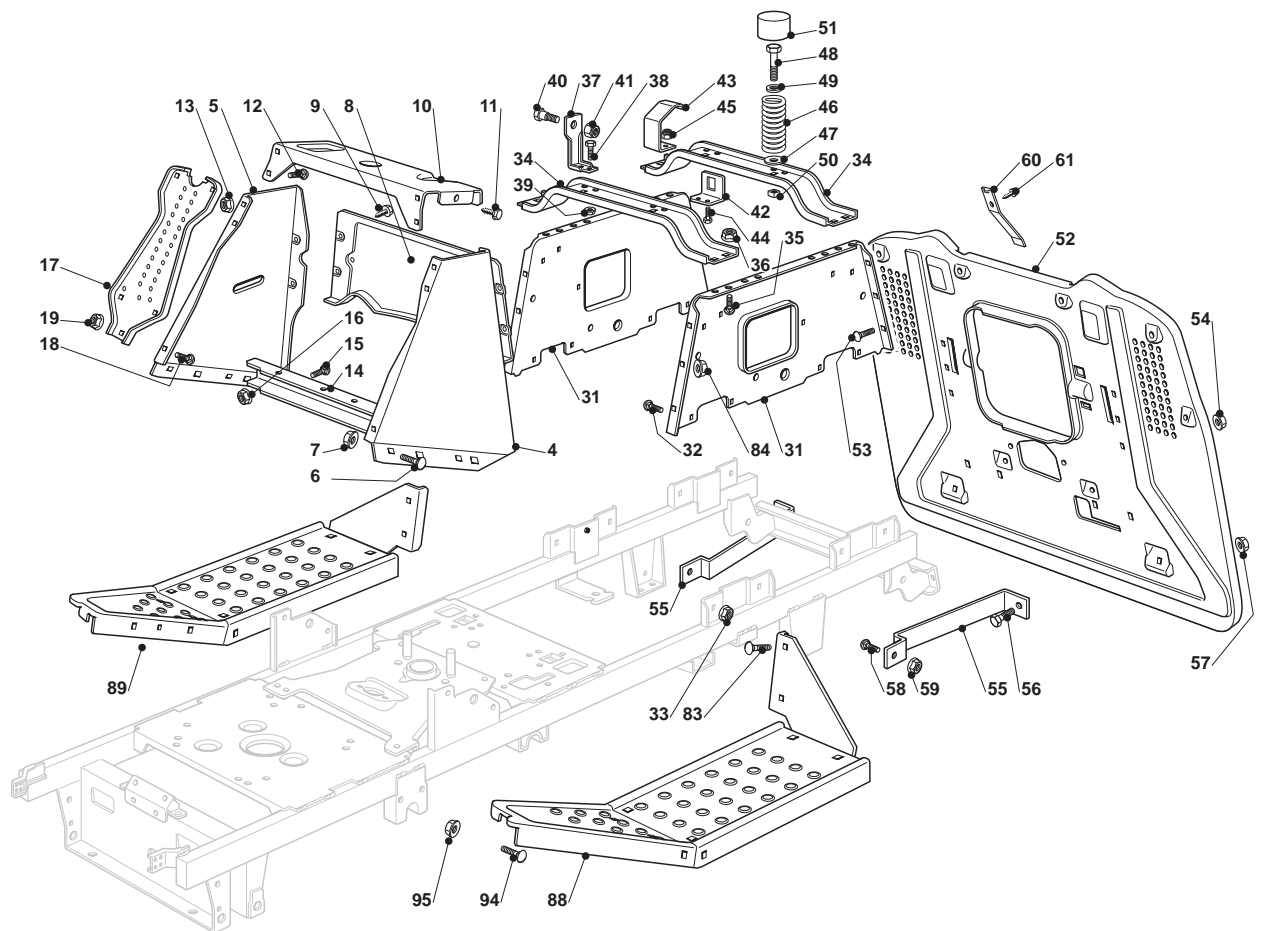
THIS INFORMATION IS NOT INTENDED FOR SALE OR RESALE, AND THIS NOTICE MUST REMAIN ON ALL COPIES.



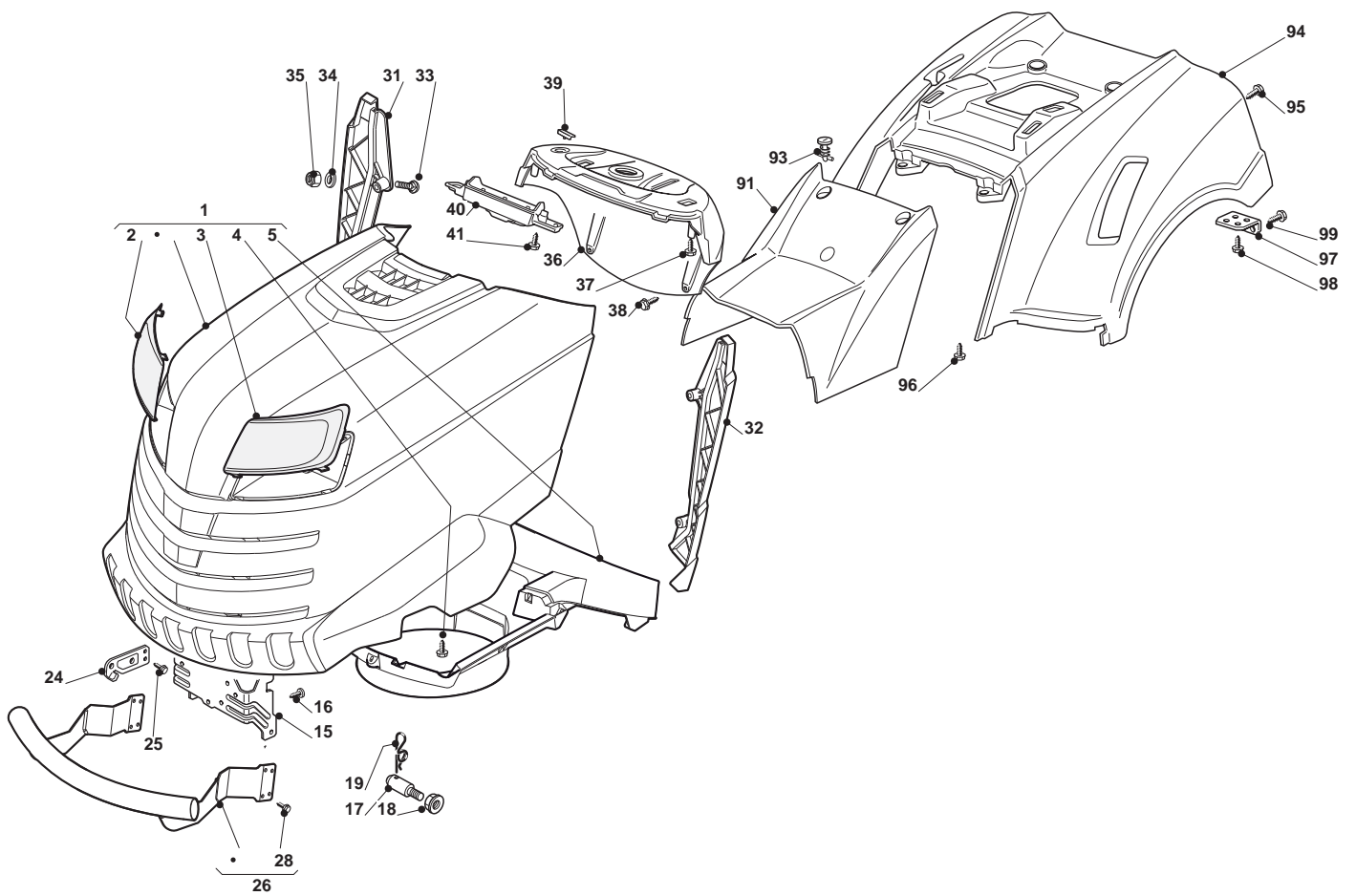
GLOBAL GARDEN PRODUCTS



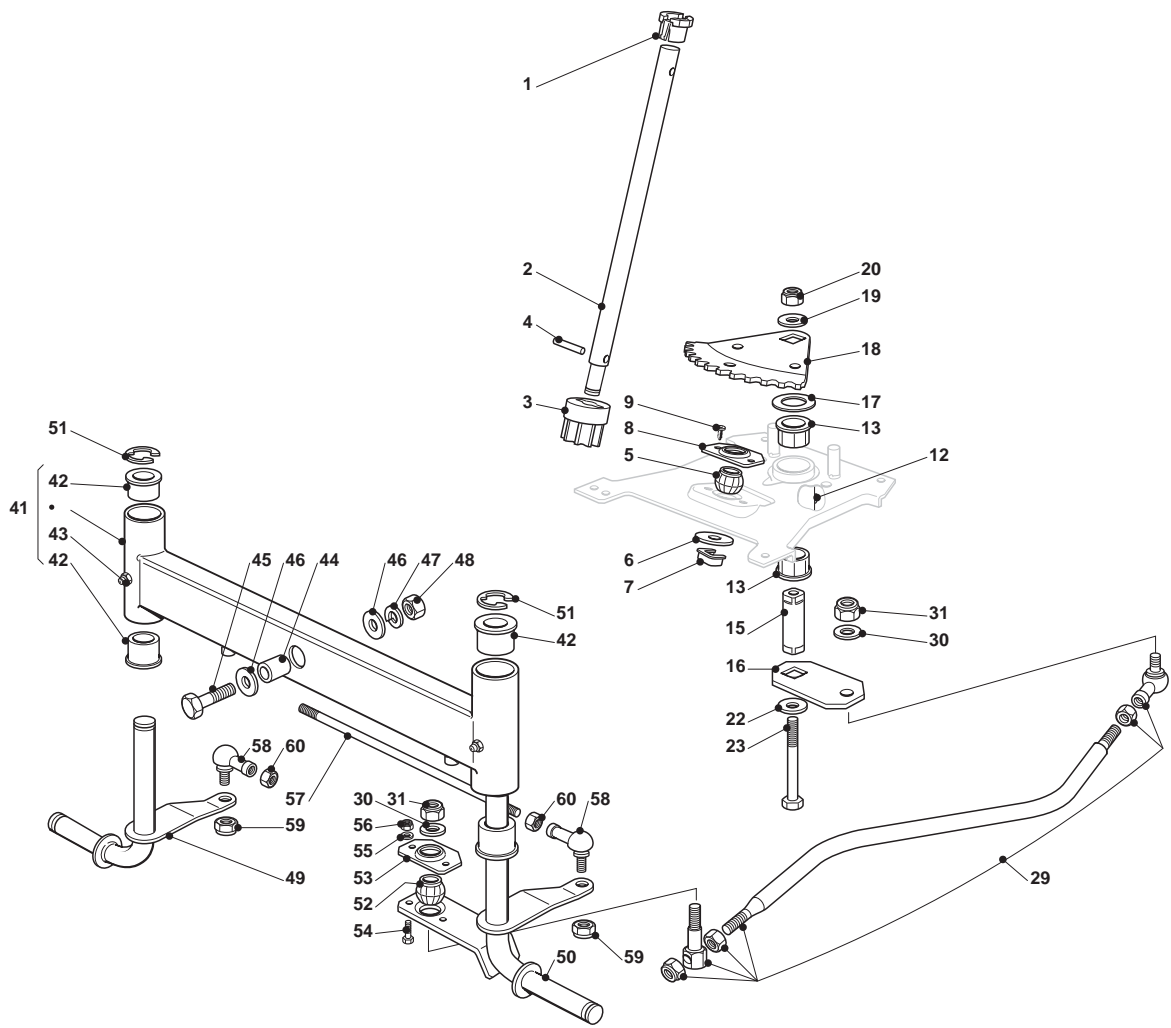
| Chassis | | | | | | | |
|---------|-------------|------|---------------------------|-----------------------------|---------------------------|------------------------|-------|
| POS | CODE | Q.TY | DESCRIPTION | DESCRIZIONE | DESCRIPTION | BESCHREIBUNG | NOTES |
| 4 | 325785243/1 | 1 | Left Dashboard Support | Supp. Cruscotto Sinistro | Support Tableau Gauche | Linker Konsolehalter | |
| 5 | 325785245/0 | 1 | Right Dashboard Support | Supp. Cruscotto Destro | Support Tableau Droit | Rechter Konsolehalter | |
| 6 | 112818690/0 | 4 | Screw | Vite | Vis | Schraube | |
| 7 | 112293201/0 | 4 | Nut | Dado | Ecrou | Mutter | |
| 8 | 382785151/1 | 1 | Rear Dashboard Support | Supp. Cruscotto Posteriore | Support Tableau Arriere | Konsole Hinterrad | |
| 9 | 112735110/0 | 4 | Screw | Vite | Vis | Schraube | |
| 10 | 325785255/0 | 1 | Central Dashboard Support | Supporto Cruscotto Centrale | Support Tableau Centr. | Zentr. Konsole Halter | |
| 11 | 112735110/0 | 2 | Screw | Vite | Vis | Schraube | |
| 12 | 112815200/0 | 4 | Screw | Vite | Vis | Schraube | |
| 13 | 112292102/0 | 4 | Nut | Dado | Ecrou | Mutter | |
| 14 | 325785241/0 | 1 | Support | Supporto | Support | Halter | |
| 15 | 112815200/0 | 2 | Screw | Vite | Vis | Schraube | |
| 16 | 112292102/0 | 2 | Nut | Dado | Ecrou | Mutter | |
| 17 | 382785153/1 | 2 | Front Dashboard Support | Supp. Cruscotto Anteriore | Support Tableau Avant | Konsole Vorderrad | |
| 18 | 112815200/0 | 2 | Screw | Vite | Vis | Schraube | |
| 19 | 112292102/0 | 2 | Nut | Dado | Ecrou | Mutter | |
| 31 | 325785249/1 | 2 | Seat Support | Seat Support | Seat Support | Seat Support | |
| 32 | 112815200/0 | 8 | Screw | Vite | Vis | Schraube | |
| 33 | 112292102/0 | 8 | Nut | Dado | Ecrou | Mutter | |
| 34 | 325785257/1 | 2 | Seat Support | Seat Support | Seat Support | Seat Support | |
| 35 | 112818690/0 | 8 | Screw | Vite | Vis | Schraube | |
| 36 | 112293201/0 | 8 | Nut | Dado | Ecrou | Mutter | |
| 37 | 325755039/0 | 2 | Bracket | Staffa | Etrier | Bride | |
| 38 | 112792611/0 | 4 | Screw | Vite | Vis | Schraube | |
| 39 | 112293201/0 | 4 | Nut | Dado | Ecrou | Mutter | |
| 40 | 122524970/2 | 2 | Fulcrum Pin | Fulcrum Pin | Fulcrum Pin | Fulcrum Pin | |
| 41 | 112155010/0 | 2 | Self-Locking Nut | Dado Autobloccante | Écrou auto-bloquant | Selbstsichernde Mutter | |
| 42 | 325755043/0 | 1 | Bracket | Staffa | Etrier | Bride | |
| 43 | 325430253/0 | 1 | Spring | Molla | Ressort | Feder | |
| 44 | 112789000/0 | 2 | Screw | Vite | Vis | Schraube | |
| 45 | 112154330/0 | 2 | Low Self-Locking Nut | Dado Autobloccante | Écrou auto-bloquant | Selbstsichernde Mutter | |
| 46 | 125430257/1 | 2 | Spring | Molla | Ressort | Feder | |
| 47 | 112523070/0 | 2 | Washer | Rosetta | Rondelle | Scheibe | |
| 48 | 112760515/0 | 2 | Screw | Vite | Vis | Schraube | |
| 49 | 122671653/0 | 2 | Washer | Rosetta | Rondelle | Scheibe | |
| 50 | 112360425/0 | 2 | Nut | Dado | Ecrou | Mutter | |
| 51 | 325122000/2 | 2 | Spring | Molla | Ressort | Feder | |
| 52 | 382547041/1 | 1 | Plate | Piastra | Plaque | Platte | |
| 53 | 112792611/0 | 6 | Screw | Vite | Vis | Schraube | |
| 54 | 112293201/0 | 6 | Nut | Dado | Ecrou | Mutter | |
| 55 | 325650119/0 | 2 | Plate Stiffening | Plate Stiffening | Plate Stiffening | Plate Stiffening | |
| 56 | 112792611/0 | 2 | Screw | Vite | Vis | Schraube | |
| 57 | 112293201/0 | 2 | Nut | Dado | Ecrou | Mutter | |
| 58 | 112818690/0 | 2 | Screw | Vite | Vis | Schraube | |
| 59 | 112293201/0 | 2 | Nut | Dado | Ecrou | Mutter | |
| 60 | 125430276/0 | 1 | Spring | Molla | Ressort | Feder | |
| 61 | 112735110/0 | 1 | Screw | Vite | Vis | Schraube | |
| 83 | 112792611/0 | 4 | Screw | Vite | Vis | Schraube | |
| 84 | 112293201/0 | 4 | Nut | Dado | Ecrou | Mutter | |
| 94 | 112815200/0 | 4 | Screw | Vite | Vis | Schraube | |
| 95 | 112292102/0 | 4 | Nut | Dado | Ecrou | Mutter | |
| 102 | 382510083/0 | 1 | Left Footboard Support | Supporto Pedana Sinistra | Support Marchepied Gauche | Linke Fussbretthalter | |
| 103 | 382510081/0 | 1 | Right Footboard Support | Supporto Pedana Destra | Marchepied Droit Support | Rechte Fussbretthalter | |
| 104 | 325110327/0 | 1 | Left Footboard Cover | Copripedana Sinistra | Couvre Marchepied Gauche | Linke Fussbrettdeckel | |
| 105 | 325110326/0 | 1 | Right Footboard Cover | Copripedana Destra | Couvre Marchepied Droit | Rechte Fussbrettdeckel | |



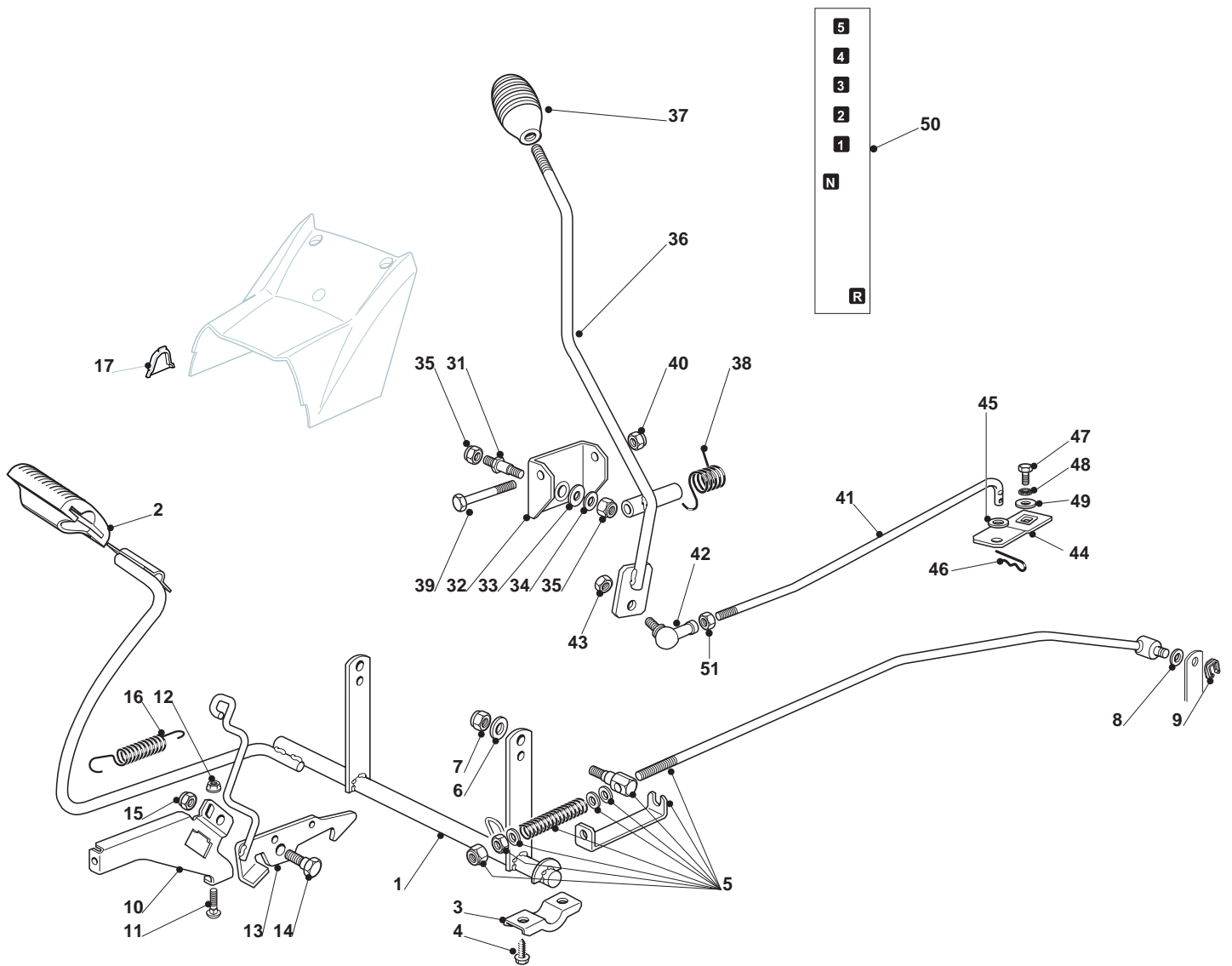
| Chassis | | | | | | | |
|---------|-------------|------|---------------------------|-----------------------------|---------------------------|------------------------|-------|
| POS | CODE | Q.TY | DESCRIPTION | DESCRIZIONE | DESCRIPTION | BESCHREIBUNG | NOTES |
| 4 | 325785243/1 | 1 | Left Dashboard Support | Supp. Cruscotto Sinistro | Support Tableau Gauche | Linker Konsolehalter | |
| 5 | 325785245/0 | 1 | Right Dashboard Support | Supp. Cruscotto Destro | Support Tableau Droit | Rechter Konsolehalter | |
| 6 | 112818690/0 | 4 | Screw | Vite | Vis | Schraube | |
| 7 | 112293201/0 | 4 | Nut | Dado | Ecrou | Mutter | |
| 8 | 382785151/1 | 1 | Rear Dashboard Support | Supp. Cruscotto Posteriore | Support Tableau Arriere | Konsole Hinterrad | |
| 9 | 112735110/0 | 4 | Screw | Vite | Vis | Schraube | |
| 10 | 325785255/0 | 1 | Central Dashboard Support | Supporto Cruscotto Centrale | Support Tableau Centr. | Zentr. Konsole Halter | |
| 11 | 112735110/0 | 2 | Screw | Vite | Vis | Schraube | |
| 12 | 112815200/0 | 4 | Screw | Vite | Vis | Schraube | |
| 13 | 112292102/0 | 4 | Nut | Dado | Ecrou | Mutter | |
| 14 | 325785241/0 | 1 | Support | Supporto | Support | Halter | |
| 15 | 112815200/0 | 2 | Screw | Vite | Vis | Schraube | |
| 16 | 112292102/0 | 2 | Nut | Dado | Ecrou | Mutter | |
| 17 | 382785153/1 | 2 | Front Dashboard Support | Supp. Cruscotto Anteriore | Support Tableau Avant | Konsole Vorderrad | |
| 18 | 112815200/0 | 2 | Screw | Vite | Vis | Schraube | |
| 19 | 112292102/0 | 2 | Nut | Dado | Ecrou | Mutter | |
| 31 | 325785249/1 | 2 | Seat Support | Seat Support | Seat Support | Seat Support | |
| 32 | 112815200/0 | 8 | Screw | Vite | Vis | Schraube | |
| 33 | 112292102/0 | 8 | Nut | Dado | Ecrou | Mutter | |
| 34 | 325785257/1 | 2 | Seat Support | Seat Support | Seat Support | Seat Support | |
| 35 | 112818690/0 | 8 | Screw | Vite | Vis | Schraube | |
| 36 | 112293201/0 | 8 | Nut | Dado | Ecrou | Mutter | |
| 37 | 325755039/0 | 2 | Bracket | Staffa | Étrier | Bride | |
| 38 | 112792611/0 | 4 | Screw | Vite | Vis | Schraube | |
| 39 | 112293201/0 | 4 | Nut | Dado | Ecrou | Mutter | |
| 40 | 122524970/2 | 2 | Fulcrum Pin | Fulcrum Pin | Fulcrum Pin | Fulcrum Pin | |
| 41 | 112155010/0 | 2 | Self-Locking Nut | Dado Autobloccante | Écrou auto-bloquant | Selbstsichernde Mutter | |
| 42 | 325755043/0 | 1 | Bracket | Staffa | Étrier | Bride | |
| 43 | 325430253/0 | 1 | Spring | Molla | Ressort | Feder | |
| 44 | 112789000/0 | 2 | Screw | Vite | Vis | Schraube | |
| 45 | 112154330/0 | 2 | Low Self-Locking Nut | Dado Autobloccante | Écrou auto-bloquant | Selbstsichernde Mutter | |
| 46 | 125430257/1 | 2 | Spring | Molla | Ressort | Feder | |
| 47 | 112523070/0 | 2 | Washer | Rosetta | Rondelle | Scheibe | |
| 48 | 112760515/0 | 2 | Screw | Vite | Vis | Schraube | |
| 49 | 122671653/0 | 2 | Washer | Rosetta | Rondelle | Scheibe | |
| 50 | 112360425/0 | 2 | Nut | Dado | Ecrou | Mutter | |
| 51 | 325122000/2 | 2 | Spring | Molla | Ressort | Feder | |
| 52 | 382547041/1 | 1 | Plate | Piastra | Plaque | Platte | |
| 53 | 112792611/0 | 6 | Screw | Vite | Vis | Schraube | |
| 54 | 112293201/0 | 6 | Nut | Dado | Ecrou | Mutter | |
| 55 | 325650119/0 | 2 | Plate Stiffening | Plate Stiffening | Plate Stiffening | Plate Stiffening | |
| 56 | 112792611/0 | 2 | Screw | Vite | Vis | Schraube | |
| 57 | 112293201/0 | 2 | Nut | Dado | Ecrou | Mutter | |
| 58 | 112818690/0 | 2 | Screw | Vite | Vis | Schraube | |
| 59 | 112293201/0 | 2 | Nut | Dado | Ecrou | Mutter | |
| 60 | 125430276/0 | 1 | Spring | Molla | Ressort | Feder | |
| 61 | 112735110/0 | 1 | Screw | Vite | Vis | Schraube | |
| 83 | 112792611/0 | 4 | Screw | Vite | Vis | Schraube | |
| 84 | 112293201/0 | 4 | Nut | Dado | Ecrou | Mutter | |
| 88 | 382510079/0 | 1 | Left Footboard Support | Supporto Pedana Sinistra | Support Marchepied Gauche | Linke Fussbretthalter | |
| 89 | 382510077/0 | 1 | Right Footboard Support | Supporto Pedana Destra | Marchepied Droit Support | Rechte Fussbretthalter | |
| 94 | 112815200/0 | 4 | Screw | Vite | Vis | Schraube | |
| 95 | 112292102/0 | 4 | Nut | Dado | Ecrou | Mutter | |



| Body | | | | | | | |
|------|-------------|------|-------------------------|----------------------------|------------------------|-----------------------|-------|
| POS | CODE | Q.TY | DESCRIPTION | DESCRIZIONE | DESCRIPTION | BESCHREIBUNG | NOTES |
| 1 | 382076962/0 | 1 | Engine Hood | Cofano | Capot | Haubesatz | |
| 2 | 325410899/0 | 1 | Right Grill | Mascherina Destra | Protection, Droit | Rechte Schutz | |
| 3 | 325410900/0 | 1 | Left Grill | Mascherina Sinistra | Protection, Gauche | Linke Schutz | |
| 4 | 112735404/0 | 7 | Screw | Vite | Vis | Schraube | |
| 5 | 325108052/0 | 7 | Conveyor | Convogliatore | Convoyeur | Konveyor | |
| 15 | 325774301/2 | 1 | Engine Hood Support | Supporto Cofano | Support Capot | Haubehalter | |
| 16 | 112735403/0 | 5 | Screw | Vite | Vis | Schraube | |
| 17 | 125510079/1 | 2 | Pin | Perno | Pivot | Bolzen | |
| 18 | 112293201/0 | 2 | Nut | Dado | Ecrou | Nuss | |
| 19 | 124487998/0 | 2 | Cotter Pin | Copiglia | Goupille | Split | |
| 24 | 325547109/2 | 2 | Plate | Piastrina | Plaquette | Plättchen | |
| 25 | 112731580/0 | 4 | Screw | Vite | Vis | Schraube | |
| 26 | 382869040/0 | 1 | Muffler Protection | Protezione Silenziatore | Protection Silencieux | Auspuffschutz | |
| 28 | 112734995/0 | 4 | Screw | Vite | Vis | Schraube | |
| 31 | 325599014/0 | 1 | Right Dashboard Support | Supp. Cruscotto Destro | Support Tableau Droit | Rechter Konsolehalter | |
| 32 | 325599015/0 | 1 | Left Dashboard Support | Supp. Cruscotto Sinistro | Support Tableau Gauche | Linker Konsolehalter | |
| 33 | 112815221/0 | 4 | Screw | Vite | Vis | Schraube | |
| 34 | 112521330/0 | 4 | Washer | Rondella | Rondelle | Scheibe | |
| 35 | 112154510/0 | 4 | Nut | Dado | Ecrou | Nuss | |
| 36 | 325120188/2 | 1 | Dashboard | Cruscotto | Console | Konsole | |
| 37 | 112728440/0 | 2 | Screw | Vite | Vis | Schraube | |
| 38 | 112735402/0 | 2 | Screw | Vite | Vis | Schraube | |
| 39 | 125260000/0 | 2 | Grommet | Gommino | Caoutchouc | Gummi | |
| 40 | 325600074/0 | 1 | Card Protection | Protezione Scheda | Protection De Carte | Karteschutz | |
| 41 | 112735402/0 | 2 | Screw | Vite | Vis | Schraube | |
| 91 | 325110420/0 | 1 | Cover, White | Copertura Centrale, Bianco | Couvre, Blanc | Kappe, Weiß | |
| 93 | 125580020/2 | 2 | Belt Guide | Piolo Guidacinghia | Guide De Courroire | Riemenführung | |
| 94 | 325110419/0 | 1 | Pin | Perno | Pivot | Bolzen | |
| 94 | 325110419/0 | 1 | White Wheels Cover | Copertura Ruote Bianco | Couvre-Roues Blanc | Radenkappe Weiß | |
| 95 | 112735402/0 | 4 | Screw | Vite | Vis | Schraube | |
| 96 | 112735402/0 | 2 | Screw | Vite | Vis | Schraube | |
| 97 | 325755041/0 | 2 | Bracket | Squadretta | Equerre-Support | Winkel | |
| 98 | 112728686/0 | 4 | Screw | Vite | Vis | Schraube | |
| 99 | 112735110/0 | 2 | Screw | Vite | Vis | Schraube | |

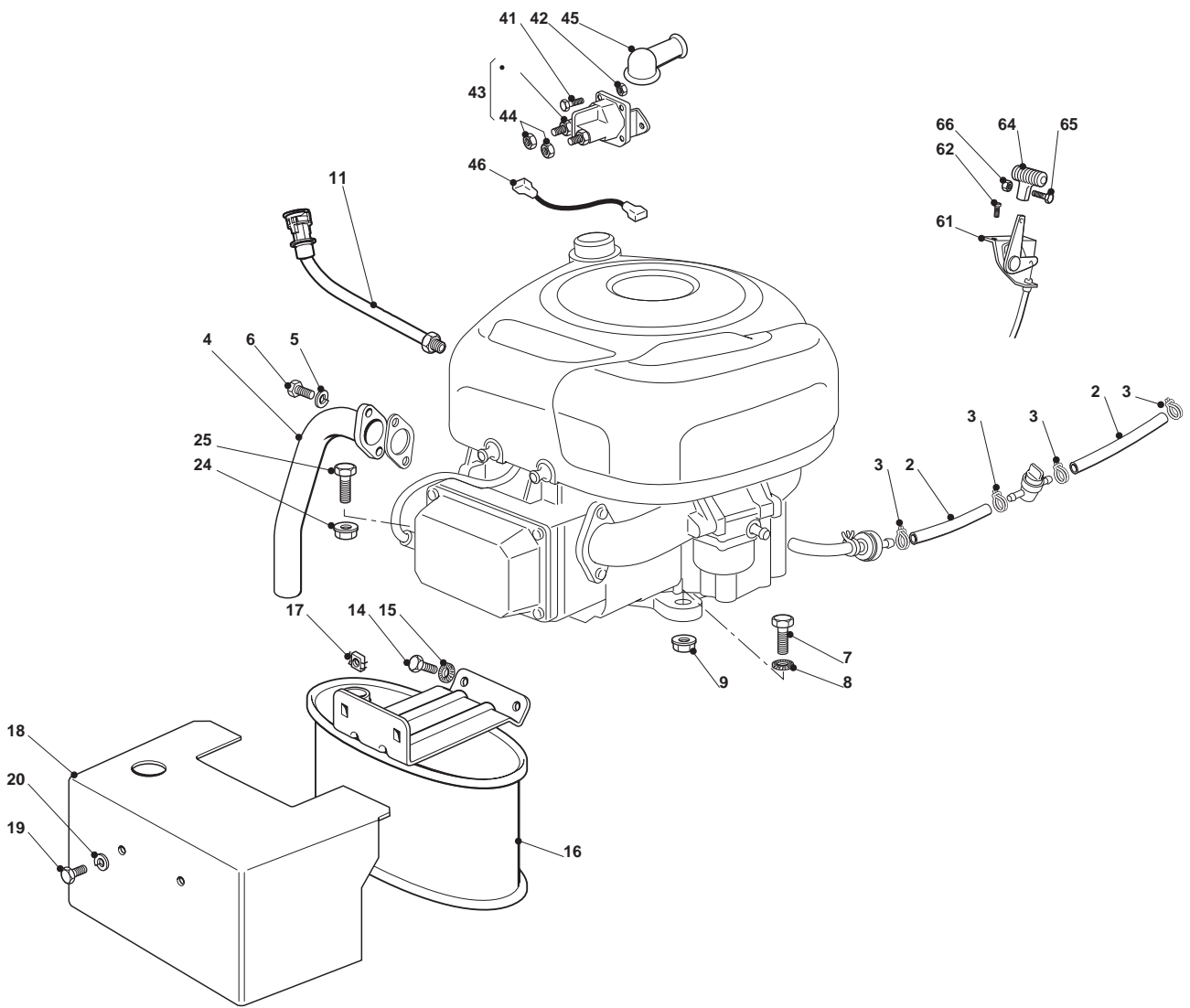


| Steering | | | | | | | |
|----------|-------------|------|------------------------------------|--|-------------------------------------|-------------------------------------|-------|
| POS | CODE | Q.TY | DESCRIPTION | DESCRIZIONE | DESCRIPTION | BESCHREIBUNG | NOTES |
| 1 | 325038004/0 | 1 | Bush | Bussola | Douille | Büchse | |
| 2 | 125520006/1 | 1 | Steering Column | Piantone Sterzo | Tube De Direction | Lenkungsaeule | |
| 3 | 127570050/0 | 1 | Pinion | Pignone | Pignon | Ritzel | |
| 4 | 112622650/0 | 1 | Pin | Perno | Pivot | Bolzen | |
| 5 | 325743000/0 | 1 | Joint Tc/Junior | Snodo | Joint | Gelenk | |
| 6 | 112521370/0 | 1 | Washer | Rosetta | Rondelle | Scheibe | |
| 7 | 112436030/0 | 1 | Plate | Piastra | Plaque | Platte | |
| 8 | 325785213/1 | 1 | Support | Supporto | Support | Halter | |
| 9 | 112729601/1 | 2 | Screw | Vite | Vis | Schraube | |
| 12 | 112379511/0 | 1 | Grease Dispenser | Ingrassatore | Graisneur | Fettbüchse | |
| 13 | 325040624/0 | 2 | Bushing | Bussola | Douille | Büchse | |
| 15 | 125510132/0 | 1 | Pin | Perno | Pivot | Bolzen | |
| 16 | 325318281/0 | 1 | Lever | Leva | Levier | Hebel | |
| 17 | 125670019/0 | 1 | Washer | Rosetta | Rondelle | Scheibe | |
| 18 | 325735513/0 | 1 | Steering Shaft | Steering Shaft | Steering Shaft | Steering Shaft | |
| 19 | 112523080/0 | 1 | Washer | Rosetta | Rondelle | Scheibe | |
| 20 | 112155020/0 | 1 | Self-Locking Nut | Dado Autobloccante | Écrou auto-bloquant | Selbstsichernde Mutter | |
| 22 | 112523080/0 | 1 | Washer | Rosetta | Rondelle | Scheibe | |
| 23 | 112794950/0 | 1 | Screw | Vite | Vis | Schraube | |
| 29 | 382000610/0 | 1 | Steering Rod | Asta Comando Sterzo | Levier Barre De Direction | Lenkungsstab | |
| 30 | 112523070/0 | 2 | Washer | Rosetta | Rondelle | Scheibe | |
| 31 | 112155010/0 | 2 | Self-Locking Nut | Dado Autobloccante | Écrou auto-bloquant | Selbstsichernde Mutter | |
| 41 | 382034036/0 | 1 | Equalizer With Bush And Lubricator | Bilanciere Con Boccola Ed Ingrassatore | Balancier Avec Douille Et Graisseur | Kipphebel Mit Büchse Und Fettbüchse | |
| 42 | 125034002/1 | 4 | Bush | Bussola | Douille | Büchse | |
| 43 | 112379511/0 | 2 | Grease Dispenser | Ingrassatore | Graisneur | Fettbüchse | |
| 44 | 125160016/1 | 1 | Equalizer Spacer | Distanziale | Entretoise | Distanzring | |
| 45 | 112692695/0 | 1 | Screw | Vite | Vis | Schraube | |
| 46 | 112523100/0 | 2 | Washer | Rosetta | Rondelle | Scheibe | |
| 47 | 112587100/0 | 1 | Grower | Grower | Grower | Federring | |
| 48 | 112295300/0 | 1 | Hexagonal Nut | Dado | Ecrou | Mutter | |
| 49 | 382230377/1 | 1 | Right Stub Axle | Fusello Destro | Fuseau Droit | Rechter Achsschenkel | |
| 50 | 382230379/1 | 1 | Left Stub Axle | Fusello Sinistro | Fuseau Gauche | Linker Achsschenkel | |
| 51 | 112001000/0 | 2 | Benzing Ring | Anello Benzing | Anneau Benzing | Ring Benzing | |
| 52 | 325743000/0 | 1 | Joint Tc/Junior | Snodo | Joint | Gelenk | |
| 53 | 325785213/1 | 1 | Support | Supporto | Support | Halter | |
| 54 | 112791213/1 | 2 | Screw | Vite | Vis | Schraube | |
| 55 | 112521330/0 | 2 | Washer | Rosetta | Rondelle | Scheibe | |
| 56 | 112154510/0 | 2 | Nut | Dado | Ecrou | Mutter | |
| 57 | 125840023/0 | 1 | Tie Rod | Tirante | Tirant | Spannstange | |
| 58 | 122746609/0 | 2 | Joint | Snodo | Joint | Gelenk | |
| 59 | 112156602/0 | 2 | Nut | Dado | Ecrou | Mutter | |
| 60 | 112295201/0 | 2 | Nut | Dado | Ecrou | Mutter | |



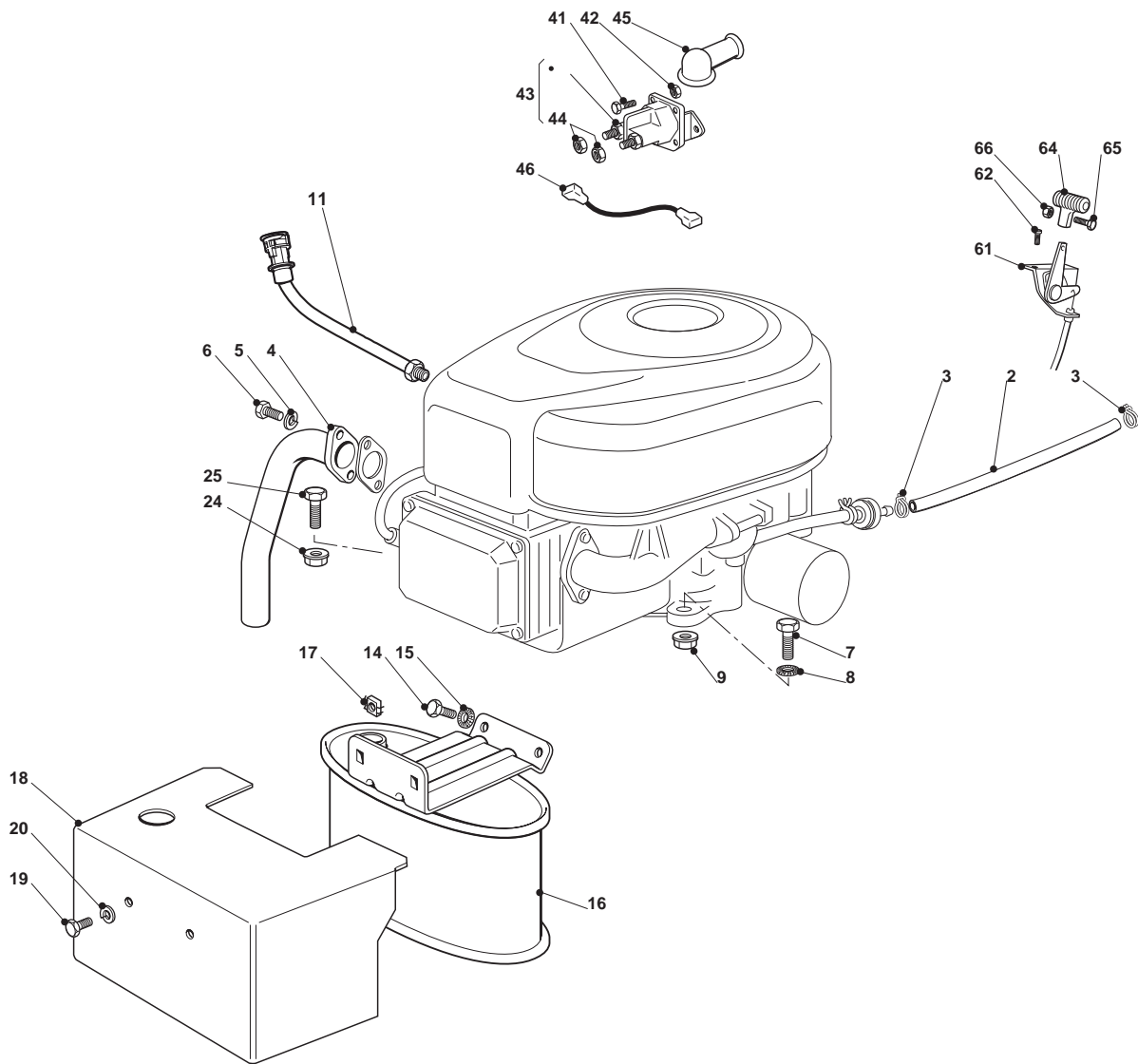
Brake And Gearbox Controls PEERLESS

| POS | CODE | Q.TY | DESCRIPTION | DESCRIZIONE | DESCRIPTION | BESCHREIBUNG | NOTES |
|-----|-------------|------|---------------------|-----------------------|------------------------|-----------------------|-------|
| 1 | 382500035/1 | 1 | Pedal | Pedale | Pedal | Pedal | |
| 2 | 125110269/0 | 1 | Clamp Cover | Copristaffa | Couvre Etrier | Bridedeckel | |
| 3 | 327546015/1 | 2 | Plate | Piastrina | Plaquette | Plättchen | |
| 4 | 112729601/1 | 4 | Screw | Vite | Vis | Schraube | |
| 5 | 382000540/1 | 1 | Rod (Peerless) | Asta (Peerless) | Barre (Peerless) | Stange (Peerless) | |
| 6 | 112523040/0 | 1 | Washer | Rondella | Rondelle | Scheibe | |
| 7 | 112154510/0 | 1 | Nut | Dado | Ecrou | Nuss | |
| 8 | 112521350/0 | 1 | Washer | Rondella | Rondelle | Scheibe | |
| 9 | 112436050/0 | 1 | Cup Spring | Piastrina | Plaquette | Plättchen | |
| 10 | 325785261/0 | 1 | Support | Supporto | Support | Halter | |
| 11 | 112815200/0 | 2 | Screw | Vite | Vis | Schraube | |
| 12 | 112292102/0 | 2 | Nut | Dado | Ecrou | Nuss | |
| 13 | 382000531/0 | 1 | Rod | Asta | Tige | Stange | |
| 14 | 122524970/2 | 1 | Fulcrum Pin | Perno Fulcro | Pivot | Gelenkpunkt | |
| 15 | 112155000/0 | 1 | Nut | Dado | Ecrou | Nuss | |
| 16 | 125430213/0 | 1 | Spring | Molla | Ressort | Feder | |
| 17 | 325207172/0 | 1 | Plate | Piastrina | Plaquette | Plättchen | |
| 31 | 125510035/0 | 1 | Pin | Perno | Pivot | Bolzen | |
| 32 | 382774247/0 | 1 | Clamp | Staffa | Etrier | Bride | |
| 33 | 322672152/0 | 1 | Antifriction Washer | Rondella Antifrizione | Rondelle Antifricition | Anti Friktionswäscher | |
| 34 | 112523060/0 | 1 | Washer | Rondella | Rondelle | Scheibe | |
| 35 | 112155010/0 | 2 | Nut | Dado | Ecrou | Nuss | |
| 36 | 382318247/0 | 1 | Gearshift | Leva | Levier | Hebel | |
| 37 | 125394510/0 | 1 | Knob | Manopola | Poignee | Knopf | |
| 38 | 125430258/0 | 1 | Spring | Molla | Ressort | Feder | |
| 39 | 112692050/0 | 1 | Screw | Vite | Vis | Schraube | |
| 40 | 112155000/0 | 1 | Nut | Dado | Ecrou | Nuss | |
| 41 | 125033068/0 | 1 | Rod (Peerless) | Asta (Peerless) | Barre (Peerless) | Stange (Peerless) | |
| 42 | 122746610/0 | 1 | Joint | Snodo | Joint | Gelenk | |
| 43 | 112155000/0 | 1 | Nut | Dado | Ecrou | Nuss | |
| 44 | 325318263/1 | 1 | Gearshift | Leva | Levier | Hebel | |
| 45 | 112521340/0 | 1 | Washer | Rondella | Rondelle | Scheibe | |
| 46 | 124487997/0 | 1 | Cotter Pin | Copiglia | Goupille | Split | |
| 47 | 112735520/0 | 1 | Screw | Vite | Vis | Schraube | |
| 48 | 112540040/0 | 1 | Washer | Rondella | Rondelle | Scheibe | |
| 49 | 112154510/0 | 1 | Nut | Dado | Ecrou | Nuss | |
| 50 | 114361447/0 | 1 | Label | Etichetta | Etiquette | Etikett | |
| 51 | 112293200/0 | 1 | Nut | Dado | Ecrou | Nuss | |



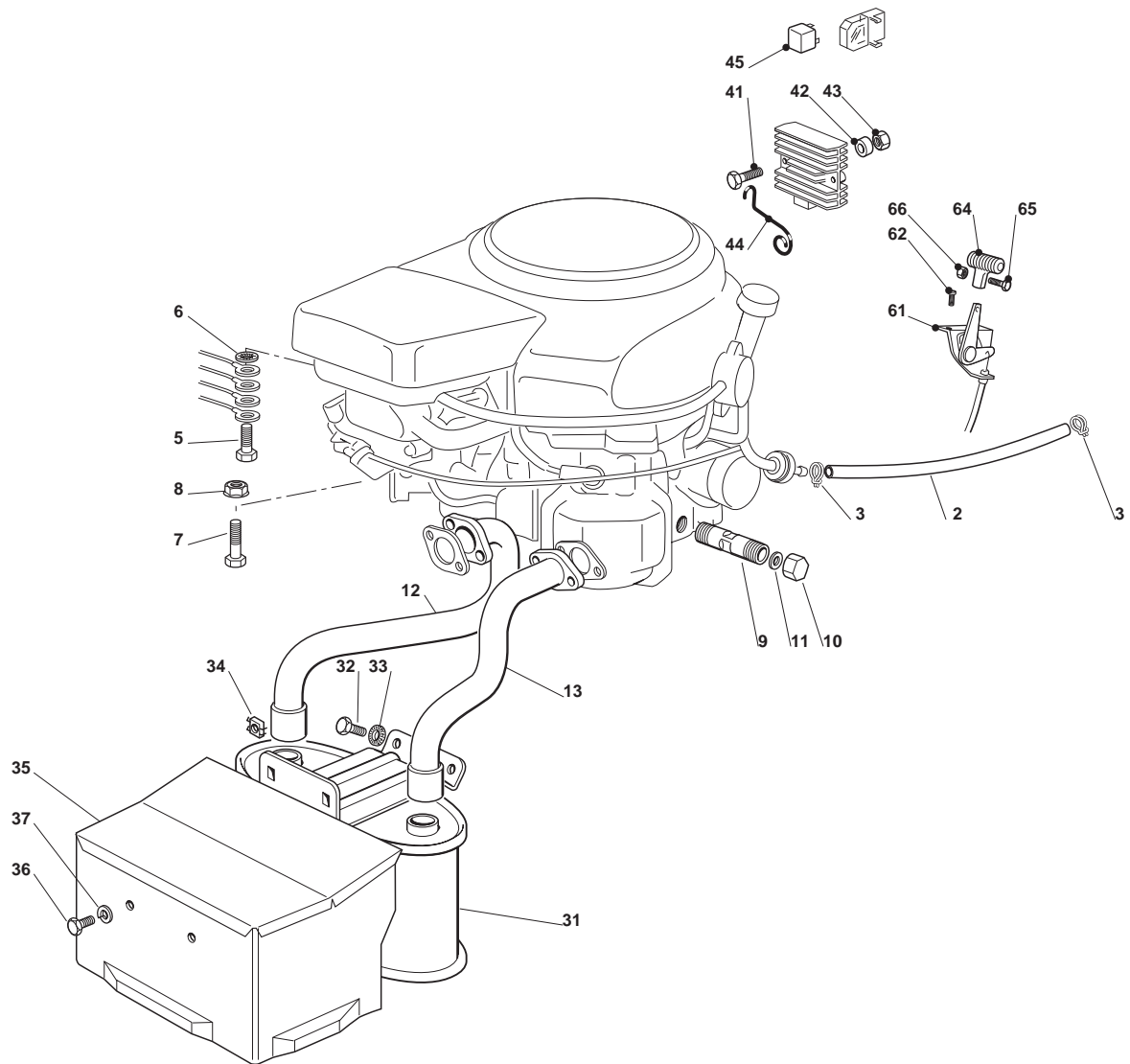
Engine B&S 11,5-12,5-13,5

| POS | CODE | Q.TY | DESCRIPTION | DESCRIZIONE | DESCRIPTION | BESCHREIBUNG | NOTES |
|-----|--------------|------|--------------------|-------------------------|-----------------------|------------------------|-------|
| 2 | 325869057/0 | 1 | Connecting Tube | Tubo Collegamento | Tube De Connexion | Verbindungsrohr | |
| 3 | 118375051/1 | 4 | Fair Led | Fascetta | Collier | Rohrschelle | |
| 4 | 118738224/0 | 1 | Exhaust Conn. Tube | Exhaust Conn. Tube | Exhaust Conn. Tube | Exhaust Conn. Tube | |
| 5 | 112583500/0 | 2 | Grower | Grower | Grower | Federring | |
| 6 | 112735530/0 | 2 | Screw | Vite | Vis | Schraube | |
| 7 | 112691115/0 | 1 | Screw | Vite | Vis | Schraube | |
| 8 | 112540260/0 | 1 | Grower | Grower | Grower | Federring | |
| 9 | 112154210/0 | 1 | Self-Locking Nut | Dado Autobloccante | Écrou auto-bloquant | Selbstsichernde Mutter | |
| 11 | 1134-5827-01 | 1 | Oil Drain Assy | Oil Drain Assy | Oil Drain Assy | Oil Drain Assy | |
| 14 | 112793102/0 | 2 | Screw | Vite | Vis | Schraube | |
| 15 | 112540260/0 | 2 | Grower | Grower | Grower | Federring | |
| 16 | 182750010/0 | 1 | Muffler | Silenziatore | Silencieux | Set Schalldämpfer | |
| 17 | 112360425/0 | 2 | Nut | Dado | Ecrou | Mutter | |
| 18 | 382598009/2 | 1 | Muffler Protection | Protezione Silenziatore | Protection Silencieux | Auspuffschutz | |
| 19 | 112792611/0 | 2 | Screw | Vite | Vis | Schraube | |
| 20 | 112583500/0 | 2 | Grower | Grower | Grower | Federring | |
| 24 | 112154210/0 | 3 | Self-Locking Nut | Dado Autobloccante | Écrou auto-bloquant | Selbstsichernde Mutter | |
| 25 | 112691100/0 | 3 | Screw | Vite | Vis | Schraube | |
| 41 | 112791213/1 | 2 | Screw | Vite | Vis | Schraube | |
| 42 | 112292102/0 | 2 | Nut | Dado | Ecrou | Mutter | |
| 43 | 118736110/0 | 1 | Starter Relay | Relé Avviamento | Relais D'Allumage | Anlassrelais | |
| 44 | 112360352/0 | 2 | Nut | Dado | Ecrou | Mutter | |
| 45 | 118564861/1 | 1 | Protection | Protezione | Protection | Schutz | |
| 46 | 125065017/0 | 1 | Cable | Cable | Cable | Cable | |
| 61 | 182000200/1 | 1 | Throttle Cable | Cavo Acceleratore | Câble Accélérateur | Gashebel Kabel | |
| 62 | 125943012/0 | 2 | Screw | Vite | Vis | Schraube | |
| 64 | 325592000/0 | 1 | Knob | Manopola | Poignee | Knopf | |
| 65 | 112726388/0 | 1 | Screw | Vite | Vis | Schraube | |
| 66 | 112290800/0 | 1 | Hexagonal Nut | Dado | Ecrou | Mutter | |



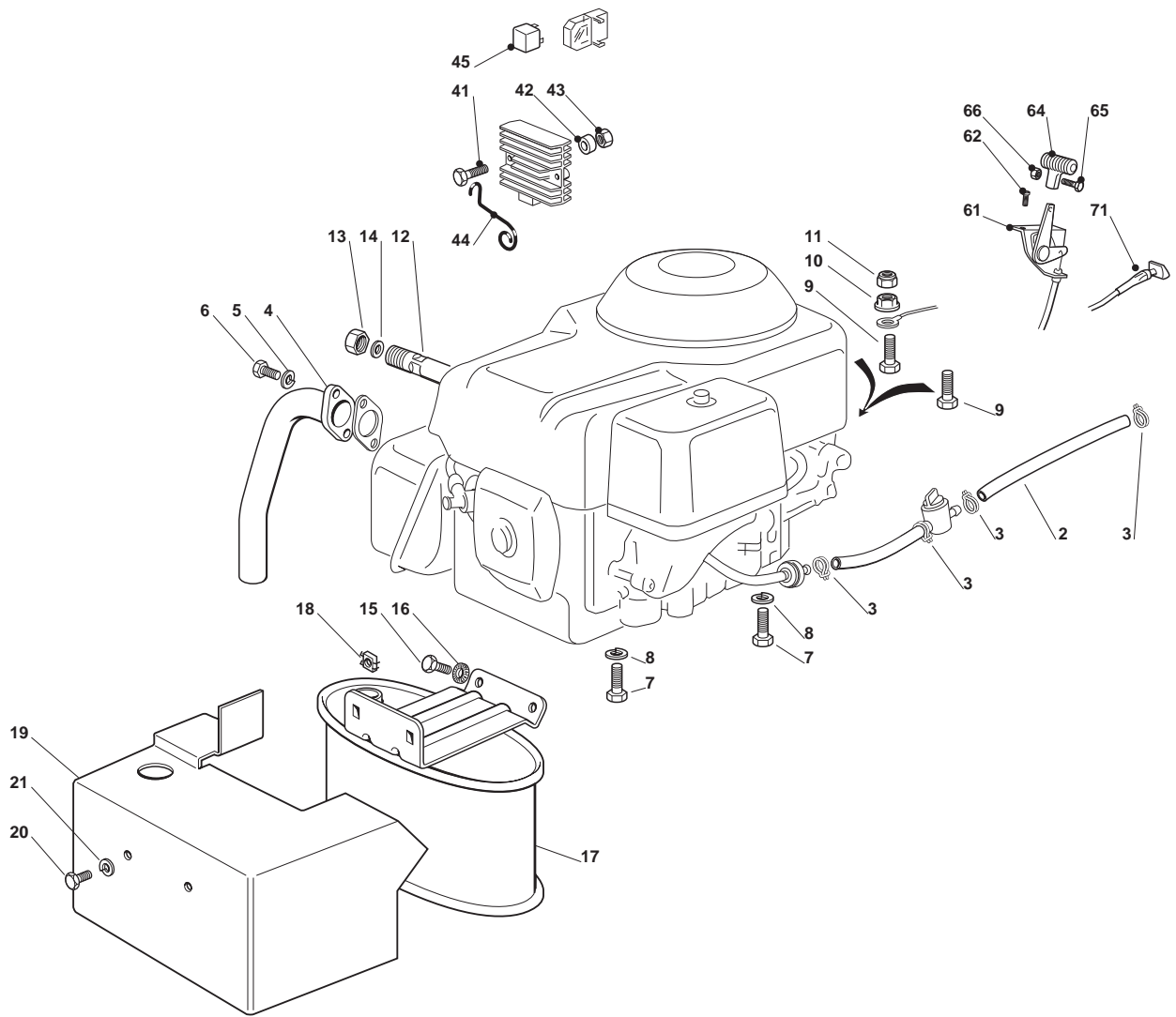
Engine B&S 15,5-16,5

| POS | CODE | Q.TY | DESCRIPTION | DESCRIZIONE | DESCRIPTION | BESCHREIBUNG | NOTES |
|-----|--------------|------|-------------------------|-------------------------|-------------------------|-------------------------|-------|
| 2 | 325869057/0 | 1 | Connecting Tube | Tubo Collegamento | Tube De Connexion | Verbindungsrohr | |
| 3 | 118375051/1 | 2 | Fair Led | Fascetta | Collier | Rohrschelle | |
| 4 | 118738206/0 | 1 | Discharged Connect.Tube | Discharged Connect.Tube | Discharged Connect.Tube | Discharged Connect.Tube | |
| 5 | 112583500/0 | 2 | Grower | Grower | Grower | Federring | |
| 6 | 112735530/0 | 2 | Screw | Vite | Vis | Schraube | |
| 7 | 112691115/0 | 1 | Screw | Vite | Vis | Schraube | |
| 8 | 112540260/0 | 1 | Grower | Grower | Grower | Federring | |
| 9 | 112154210/0 | 1 | Self-Locking Nut | Dado Autobloccante | Écrou auto-bloquant | Selbstsichernde Mutter | |
| 11 | 1134-5827-01 | 1 | Oil Drain Assy | Oil Drain Assy | Oil Drain Assy | Oil Drain Assy | |
| 14 | 112793102/0 | 2 | Screw | Vite | Vis | Schraube | |
| 15 | 112540260/0 | 2 | Grower | Grower | Grower | Federring | |
| 16 | 182750010/0 | 1 | Muffler | Silenziatore | Silencieux | Set Schalldämpfer | |
| 17 | 112360425/0 | 2 | Nut | Dado | Ecrou | Mutter | |
| 18 | 382598009/2 | 1 | Muffler Protection | Protezione Silenziatore | Protection Silencieux | Auspuffschutz | |
| 19 | 112792611/0 | 2 | Screw | Vite | Vis | Schraube | |
| 20 | 112583500/0 | 2 | Grower | Grower | Grower | Federring | |
| 24 | 112154210/0 | 3 | Self-Locking Nut | Dado Autobloccante | Écrou auto-bloquant | Selbstsichernde Mutter | |
| 25 | 112691100/0 | 3 | Screw | Vite | Vis | Schraube | |
| 41 | 112791213/1 | 2 | Screw | Vite | Vis | Schraube | |
| 42 | 112292102/0 | 2 | Nut | Dado | Ecrou | Mutter | |
| 43 | 118736110/0 | 1 | Starter Relay | Relé Avviamento | Relais D'Allumage | Anlassrelais | |
| 44 | 112360352/0 | 2 | Nut | Dado | Ecrou | Mutter | |
| 45 | 118564861/1 | 1 | Protection | Protezione | Protection | Schutz | |
| 46 | 125065017/0 | 1 | Cable | Cable | Cable | Cable | |
| 61 | 182000200/1 | 1 | Throttle Cable | Cavo Acceleratore | Câble Accélérateur | Gashebel Kabel | |
| 62 | 125943012/0 | 2 | Screw | Vite | Vis | Schraube | |
| 64 | 325592000/0 | 1 | Knob | Manopola | Poignee | Knopf | |
| 65 | 112726388/0 | 1 | Screw | Vite | Vis | Schraube | |
| 66 | 112290800/0 | 1 | Hexagonal Nut | Dado | Ecrou | Mutter | |



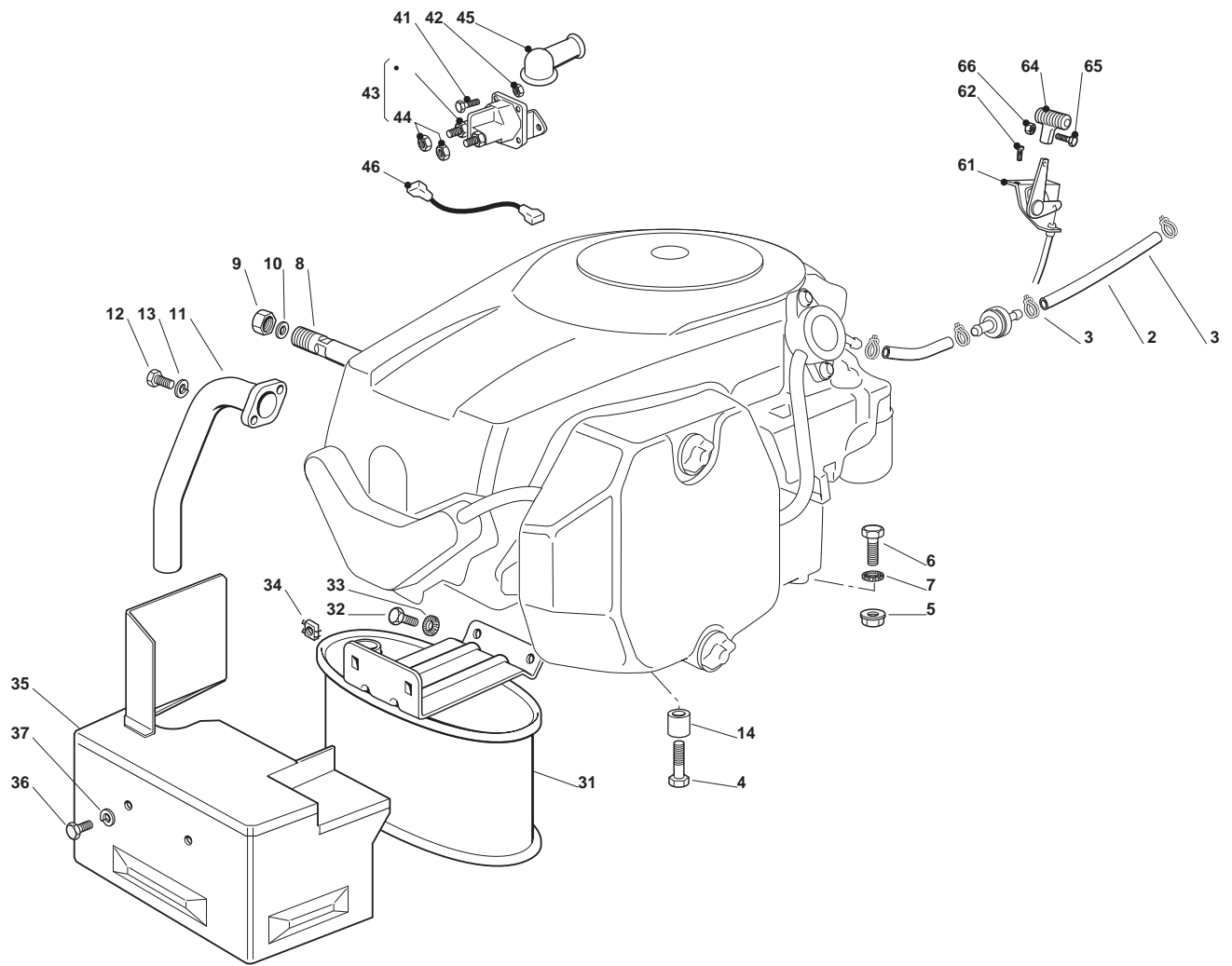
Engine Honda GXV 390

| POS | CODE | Q.TY | DESCRIPTION | DESCRIZIONE | DESCRIPTION | BESCHREIBUNG | NOTES |
|-----|-------------|------|-------------------------|-------------------------|-------------------------|-------------------------|-------|
| 2 | 325869057/0 | 1 | Connecting Tube | Tubo Collegamento | Tube De Connexion | Verbindungsrohr | |
| 3 | 118375051/1 | 4 | Fair Led | Fascetta | Collier | Rohrschelle | |
| 4 | 118738204/0 | 1 | Discharged Connect.Tube | Discharged Connect.Tube | Discharged Connect.Tube | Discharged Connect.Tube | |
| 5 | 112583500/0 | 2 | Grower | Grower | Grower | Federring | |
| 6 | 112793102/0 | 2 | Screw | Vite | Vis | Schraube | |
| 7 | 112735802/0 | 2 | Screw | Vite | Vis | Schraube | |
| 8 | 112583500/0 | 2 | Grower | Grower | Grower | Federring | |
| 9 | 112691100/0 | 2 | Screw | Vite | Vis | Schraube | |
| 10 | 112154210/0 | 2 | Self-Locking Nut | Dado Autobloccante | Écrou auto-bloquant | Selbstsichernde Mutter | |
| 11 | 112155000/0 | 1 | Nut | Dado | Ecrou | Mutter | |
| 12 | 125598050/0 | 1 | Oil Discharge Extension | Oil Discharge Extension | Oil Discharge Extension | Oil Discharge Extension | |
| 13 | 118737849/0 | 1 | Plug | Tappo | Bouchon | Stopfen | |
| 14 | 118401001/1 | 1 | Oil Seal | Anello Di Tenuta | Anneau De Tenue | Dichtring | |
| 15 | 112792611/0 | 2 | Screw | Vite | Vis | Schraube | |
| 16 | 112540260/0 | 2 | Grower | Grower | Grower | Federring | |
| 17 | 182750010/0 | 1 | Muffler | Silenziatore | Silencieux | Set Schalldämpfer | |
| 18 | 112360425/0 | 2 | Nut | Dado | Ecrou | Mutter | |
| 19 | 382598003/1 | 1 | Muffler Protection | Protezione Silenziatore | Protection Silencieux | Auspuffschutz | |
| 20 | 125943012/0 | 2 | Screw | Vite | Vis | Schraube | |
| 21 | 112583500/0 | 2 | Grower | Grower | Grower | Federring | |
| 41 | 112815221/0 | 2 | Screw | Vite | Vis | Schraube | |
| 42 | 122170950/0 | 2 | Spacer | Distanziale | Entretoise | Distanzring | |
| 43 | 112292102/0 | 2 | Nut | Dado | Ecrou | Mutter | |
| 44 | 127430561/0 | 1 | Spring | Molla | Ressort | Feder | |
| 45 | 133567000/0 | 1 | Relay | Relay | Relay | Relay | |
| 61 | 184000251/1 | 1 | Accelerator | Acceleratore | Accelérateur | Gas Zug | |
| 62 | 112788512/0 | 2 | Screw | Vite | Vis | Schraube | |
| 64 | 325592000/0 | 1 | Knob | Manopola | Poignee | Knopf | |
| 65 | 112726388/0 | 1 | Screw | Vite | Vis | Schraube | |
| 66 | 112290800/0 | 1 | Hexagonal Nut | Dado | Ecrou | Mutter | |
| 71 | 125090007/0 | 1 | Choke Control | Choke Control | Choke Control | Choke Control | |

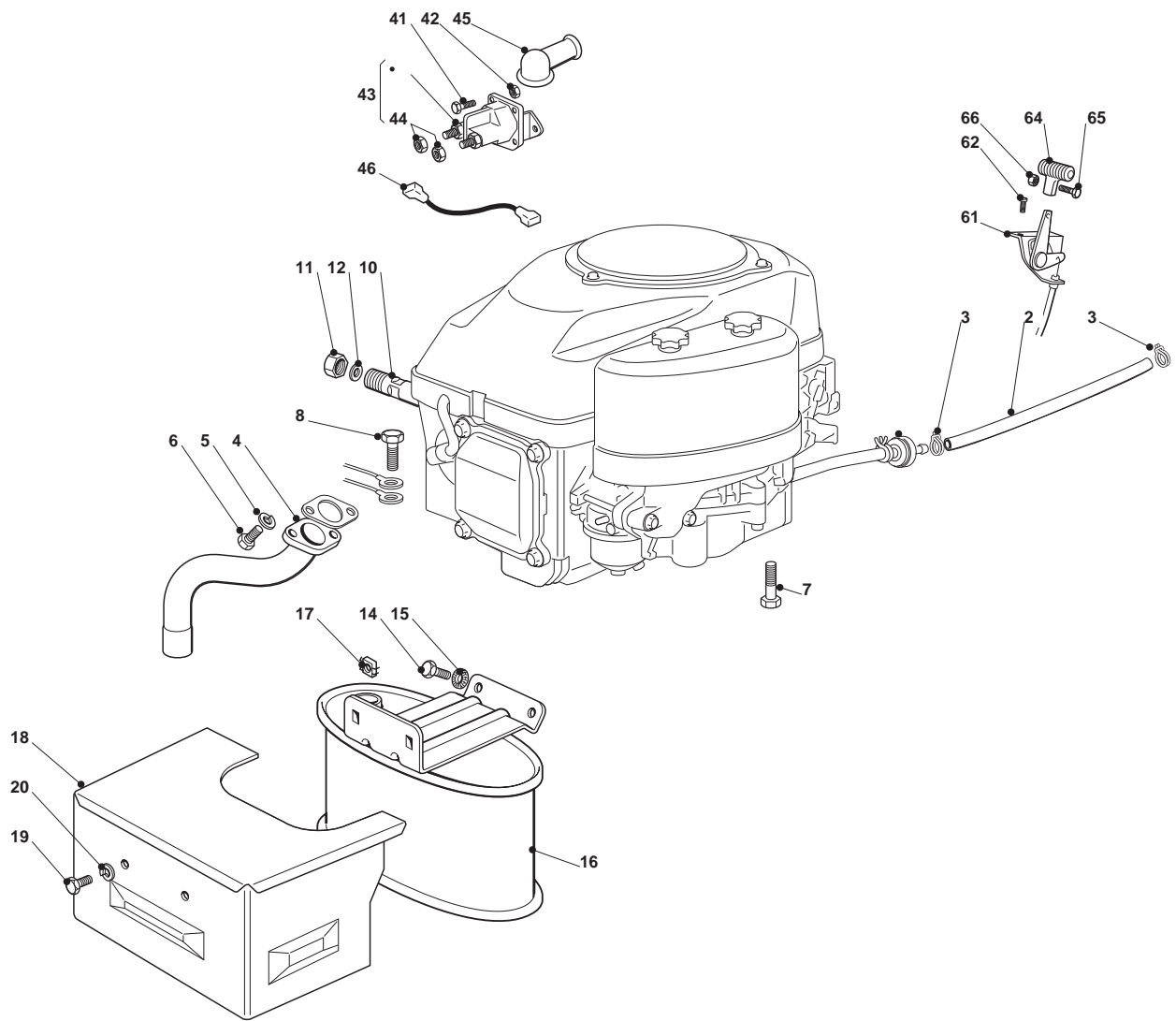


Engine Honda GXV 530

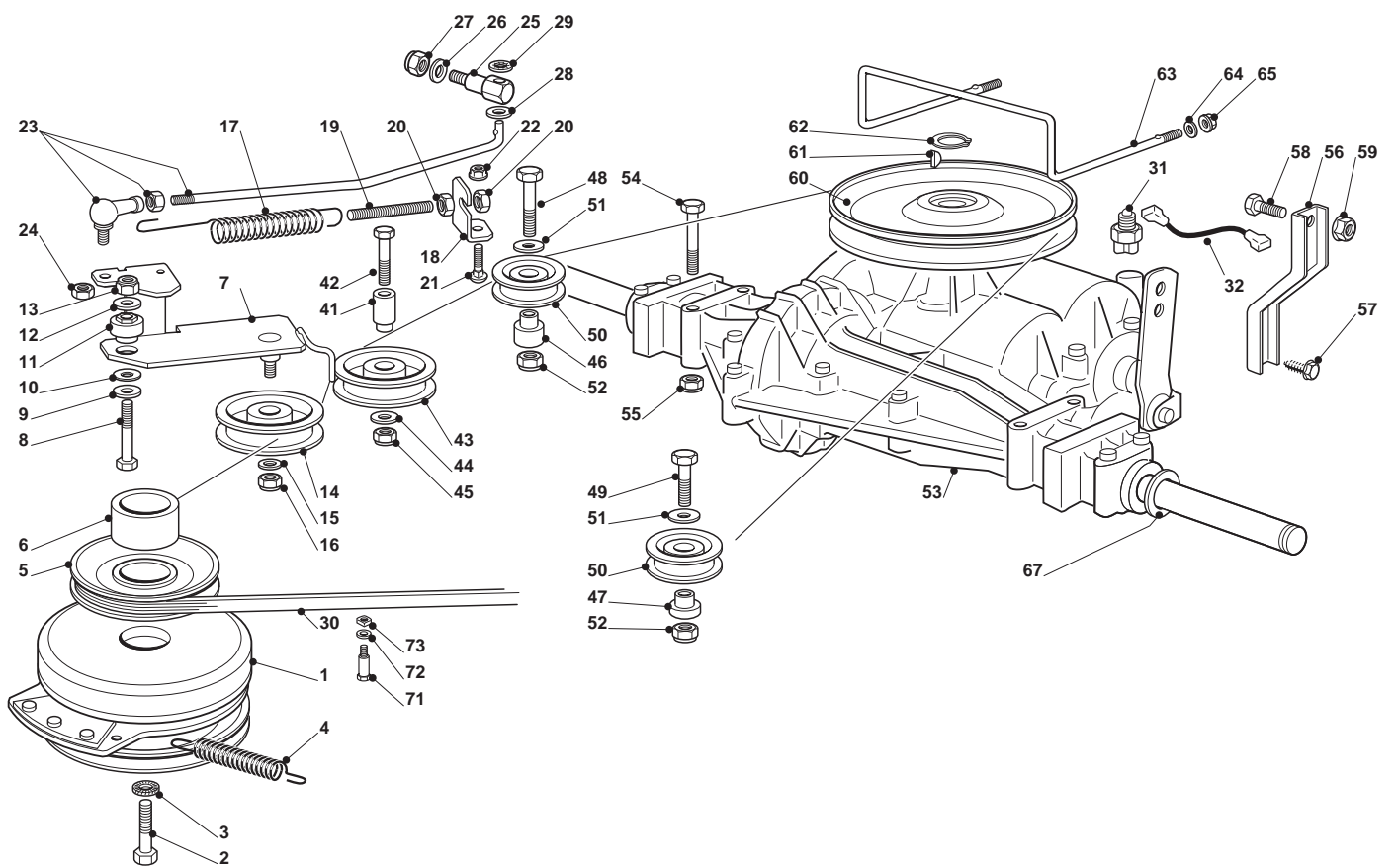
| POS | CODE | Q.TY | DESCRIPTION | DESCRIZIONE | DESCRIPTION | BESCHREIBUNG | NOTES |
|-----|-------------|------|--------------------------|-------------------------|------------------------------|--------------------------|-------|
| 2 | 325869057/0 | 1 | Connecting Tube | Tube Collegamento | Tube De Connexion | Verbindungsrohr | |
| 3 | 118375051/1 | 2 | Fair Led | Fascetta | Collier | Rohrschelle | |
| 5 | 112735599/0 | 1 | Screw | Vite | Vis | Schraube | |
| 6 | 112540260/0 | 1 | Grower | Grower | Grower | Federring | |
| 7 | 112691115/0 | 4 | Screw | Vite | Vis | Schraube | |
| 8 | 112154210/0 | 4 | Self-Locking Nut | Dado Autobloccante | Écrou auto-bloquant | Selbstsichernde Mutter | |
| 9 | 125598052/0 | 1 | Oil Discharge Extention | Prolunga Scarico Olio | Rallonge Dechargement Huile | Öl Abfluss | |
| 10 | 118737849/0 | 1 | Plug | Tappo | Bouchon | Stopfen | |
| 11 | 118401001/1 | 1 | Oil Seal | Anello Di Tenuta | Anneau De Tenue | Dichtring | |
| 12 | 118738221/0 | 1 | Exhaust Tube Right | Tube Scarico Destro | Tube Echappement Droit | Abgasrohr, Rechte | |
| 13 | 118738222/0 | 1 | Right Exhaust Connection | Raccordo Scarico Destro | Connexion Echappement Droite | Auspuffanschluss, Rechte | |
| 31 | 182750003/0 | 1 | Muffler Assy | Ass. Silenziatore | Silencieux | Set Schalldämpfer | |
| 32 | 112793102/0 | 2 | Screw | Vite | Vis | Schraube | |
| 33 | 112540260/0 | 2 | Grower | Grower | Grower | Federring | |
| 34 | 112360425/0 | 2 | Nut | Dado | Ecrou | Mutter | |
| 35 | 382598005/2 | 1 | Muffler Protection | Protezione Silenziatore | Protection Silencieux | Auspuffschutz | |
| 36 | 112792611/0 | 2 | Screw | Vite | Vis | Schraube | |
| 37 | 112583500/0 | 2 | Grower | Grower | Grower | Federring | |
| 41 | 112815221/0 | 2 | Screw | Vite | Vis | Schraube | |
| 42 | 122170950/0 | 2 | Spacer | Distanziale | Entretoise | Distanzring | |
| 43 | 112292102/0 | 2 | Nut | Dado | Ecrou | Mutter | |
| 44 | 127430561/0 | 1 | Spring | Molla | Ressort | Feder | |
| 45 | 133567000/0 | 1 | Relay | Relay | Relay | Relay | |
| 61 | 182000201/2 | 1 | Throttle Cable | Cavo Acceleratore | Câble Accélérateur | Gashebel Kabel | |
| 62 | 125943012/0 | 2 | Screw | Vite | Vis | Schraube | |
| 64 | 325592000/0 | 1 | Knob | Manopola | Poignee | Knopf | |
| 65 | 112726388/0 | 1 | Screw | Vite | Vis | Schraube | |
| 66 | 112290800/0 | 1 | Hexagonal Nut | Dado | Ecrou | Mutter | |



| Engine Kohler 16 hp | | | | | | | |
|---------------------|-------------|------|-------------------------|-------------------------|-------------------------|-------------------------|-------|
| POS | CODE | Q.TY | DESCRIPTION | DESCRIZIONE | DESCRIPTION | BESCHREIBUNG | NOTES |
| 2 | 325869057/0 | 1 | Connecting Tube | Tubo Collegamento | Tube De Connexion | Verbindungsrohr | |
| 3 | 118375051/1 | 2 | Fair Led | Fascetta | Collier | Rohrschelle | |
| 4 | 112735108/1 | 3 | Screw | Vite | Vis | Schraube | |
| 5 | 112154210/0 | 1 | Self-Locking Nut | Dado Autobloccante | Écrou auto-bloquant | Selbstsichernde Mutter | |
| 6 | 112691115/0 | 1 | Screw | Vite | Vis | Schraube | |
| 7 | 112540260/0 | 1 | Grower | Grower | Grower | Federring | |
| 8 | 127598060/0 | 1 | Oil Discharge Extension | Oil Discharge Extension | Oil Discharge Extension | Oil Discharge Extension | |
| 9 | 118737849/0 | 1 | Plug | Tappo | Bouchon | Stopfen | |
| 10 | 118401001/1 | 1 | Oil Seal | Anello Di Tenuta | Anneau De Tenue | Dichtring | |
| 11 | 118738227/0 | 1 | Exhaust Pipe | Exhaust Pipe | Exhaust Pipe | Exhaust Pipe | |
| 12 | 112735530/0 | 2 | Screw | Vite | Vis | Schraube | |
| 13 | 112583500/0 | 2 | Grower | Grower | Grower | Federring | |
| 14 | 125160035/0 | 3 | Spacer | Distanziale | Entretoise | Distanzring | |
| 31 | 182750010/0 | 1 | Muffler | Silenziatore | Silencieux | Set Schalldämpfer | |
| 32 | 112793102/0 | 2 | Screw | Vite | Vis | Schraube | |
| 33 | 112540260/0 | 2 | Grower | Grower | Grower | Federring | |
| 34 | 112360425/0 | 2 | Nut | Dado | Écrou | Mutter | |
| 35 | 382598029/0 | 1 | Muffler Protection | Protezione Silenziatore | Protection Silencieux | Auspuffschutz | |
| 36 | 112792611/0 | 2 | Screw | Vite | Vis | Schraube | |
| 37 | 112583500/0 | 2 | Grower | Grower | Grower | Federring | |
| 41 | 112791011/0 | 2 | Screw | Vite | Vis | Schraube | |
| 42 | 112292102/0 | 2 | Nut | Dado | Écrou | Mutter | |
| 43 | 118736110/0 | 1 | Starter Relay | Relé Avviamento | Relais D'Allumage | Anlassrelais | |
| 44 | 112360352/0 | 2 | Nut | Dado | Écrou | Mutter | |
| 45 | 118564861/1 | 1 | Protection | Protezione | Protection | Schutz | |
| 46 | 125065017/0 | 1 | Cable | Cable | Cable | Cable | |
| 61 | 182000200/1 | 1 | Throttle Cable | Cavo Acceleratore | Câble Accélérateur | Gashebel Kabel | |
| 62 | 125943012/0 | 2 | Screw | Vite | Vis | Schraube | |
| 64 | 325592000/0 | 1 | Knob | Manopola | Poignee | Knopf | |
| 65 | 112726388/0 | 1 | Screw | Vite | Vis | Schraube | |
| 66 | 112290800/0 | 1 | Hexagonal Nut | Dado | Écrou | Mutter | |

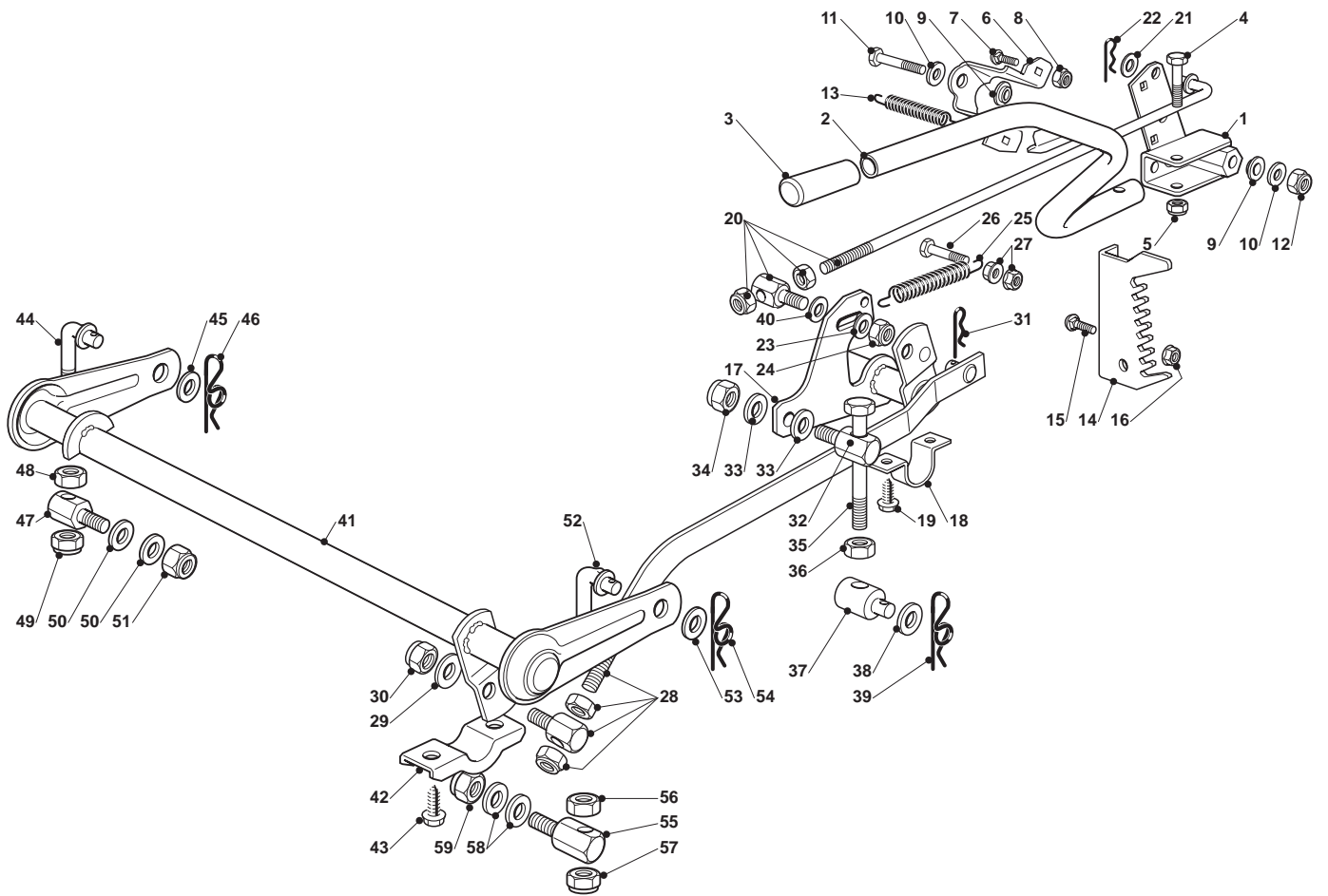


| Engine GGP | | | | | | | |
|------------|-------------|------|-------------------------|-------------------------|-------------------------|-------------------------|-------|
| POS | CODE | Q.TY | DESCRIPTION | DESCRIZIONE | DESCRIPTION | BESCHREIBUNG | NOTES |
| 2 | 325869057/0 | 1 | Connecting Tube | Tube Collegamento | Tube De Connexion | Verbindungsrohr | |
| 3 | 118375051/1 | 4 | Fair Led | Fascetta | Collier | Rohrschelle | |
| 4 | 118738231/1 | 1 | Exhaust Tube | Tube Scarico | Tube Echappement | Abgasungrohr | |
| 5 | 112583500/0 | 2 | Grower | Grower | Grower | Federring | |
| 6 | 112737450/0 | 2 | Screw | Vite | Vis | Schraube | |
| 7 | 112735108/1 | 4 | Screw | Vite | Vis | Schraube | |
| 8 | 112735599/0 | 1 | Screw | Vite | Vis | Schraube | |
| 10 | 127598060/0 | 1 | Oil Discharge Extension | Oil Discharge Extension | Oil Discharge Extension | Oil Discharge Extension | |
| 11 | 118737849/0 | 1 | Plug | Tappo | Bouchon | Stopfen | |
| 12 | 118401001/1 | 1 | Oil Seal | Anello Di Tenuta | Anneau De Tenue | Dichtring | |
| 14 | 112793102/0 | 2 | Screw | Vite | Vis | Schraube | |
| 15 | 112540260/0 | 2 | Grower | Grower | Grower | Federring | |
| 16 | 182750010/0 | 1 | Muffler | Silenziatore | Silencieux | Set Schalldämpfer | |
| 17 | 112360425/0 | 2 | Nut | Dado | Ecrou | Mutter | |
| 18 | 382598039/0 | 1 | Guard | Protezione | Protection | Schutz | |
| 19 | 112792611/0 | 2 | Screw | Vite | Vis | Schraube | |
| 20 | 112583500/0 | 2 | Grower | Grower | Grower | Federring | |
| 41 | 112791213/1 | 2 | Screw | Vite | Vis | Schraube | |
| 42 | 112292102/0 | 2 | Nut | Dado | Ecrou | Mutter | |
| 43 | 118736110/0 | 1 | Starter Relay | Relé Avviamento | Relais D'Allumage | Anlassrelais | |
| 44 | 112360352/0 | 2 | Nut | Dado | Ecrou | Mutter | |
| 45 | 118564861/1 | 1 | Protection | Protezione | Protection | Schutz | |
| 46 | 125065017/0 | 1 | Cable | Cable | Cable | Cable | |
| 61 | 182000212/0 | 1 | Accelerator | Acceleratore | Accelérateur | Gas Zug | |
| 62 | 125943012/0 | 2 | Screw | Vite | Vis | Schraube | |
| 64 | 325592000/0 | 1 | Knob | Manopola | Poignee | Knopf | |
| 65 | 112726388/0 | 1 | Screw | Vite | Vis | Schraube | |
| 66 | 112290800/0 | 1 | Hexagonal Nut | Dado | Ecrou | Mutter | |



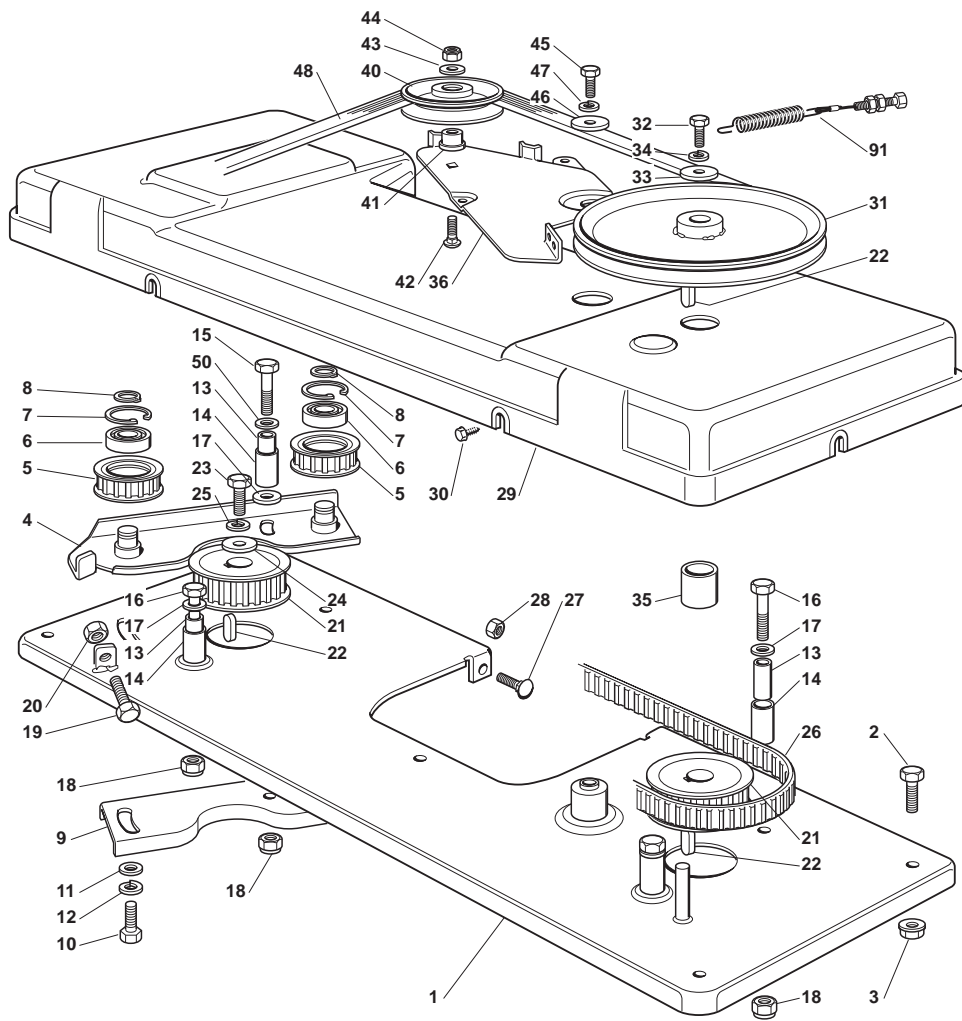
PEERLESS Transmission

| POS | CODE | Q.TY | DESCRIPTION | DESCRIZIONE | DESCRIPTION | BESCHREIBUNG | NOTES |
|-----|-------------|------|---------------------|-----------------------|-----------------------|--------------------------|-------|
| 1 | 118399062/0 | 1 | Clutch Assy | Ass. Frizione | Friction | Set Kupplung | |
| 2 | 112737320/0 | 1 | Screw | Vite | Vis | Schraube | |
| 3 | 112543000/0 | 1 | Washer | Rondella | Rondelle | Scheibe | |
| 4 | 122430216/0 | 1 | Tension Spring | Tension Spring | Tension Spring | Tension Spring | |
| 5 | 125601567/0 | 1 | Pulley | Puleggia | Poulie | Riemenscheibe | |
| 6 | 125160021/0 | 1 | Spacer | Distanziale | Entretoise | Distanzring | |
| 7 | 382318217/0 | 1 | Lever | Leva | Levier | Hebel | |
| 8 | 112691115/0 | 1 | Screw | Vite | Vis | Schraube | |
| 9 | 112523060/0 | 1 | Washer | Rondella | Rondelle | Scheibe | |
| 10 | 327670055/0 | 1 | Antifriction Washer | Rondella Antifrizione | Rondelle Antifriction | Antifriction Scheibe | |
| 11 | 125510087/0 | 1 | Pin | Perno | Pivot | Bolzen | |
| 12 | 112523060/0 | 1 | Washer | Rondella | Rondelle | Scheibe | |
| 13 | 112155000/0 | 1 | Nut | Dado | Ecrou | Nuss | |
| 14 | 125601554/0 | 1 | Pulley | Puleggia | Poulie | Riemenscheibe | |
| 15 | 112523060/0 | 1 | Washer | Rondella | Rondelle | Scheibe | |
| 16 | 112155000/0 | 1 | Nut | Dado | Ecrou | Nuss | |
| 17 | 125430260/0 | 1 | Spring | Molla | Ressort | Feder | |
| 18 | 325755049/0 | 1 | Bracket | Squadretta | Equerre-Support | Winkel | |
| 19 | 125840005/0 | 1 | Tie Rod | Tirante | Tirant | Spannstange | |
| 20 | 112293200/0 | 2 | Nut | Dado | Ecrou | Nuss | |
| 21 | 112818690/0 | 1 | Screw | Vite | Vis | Schraube | |
| 22 | 112293201/0 | 1 | Nut | Dado | Ecrou | Nuss | |
| 23 | 382820013/0 | 1 | Tie Rod Ass.Y | Ass. Tirante | Ens. Tirant | Spannstange, Komplet | |
| 24 | 112155000/0 | 1 | Nut | Dado | Ecrou | Nuss | |
| 25 | 125510063/0 | 1 | Pin | Perno | Pivot | Bolzen | |
| 26 | 325670011/0 | 2 | Antifriction Washer | Rondella Antifrizione | Rondelle Antifriction | Antifriction Scheibe | |
| 27 | 112155000/0 | 1 | Nut | Dado | Ecrou | Nuss | |
| 28 | 112521350/0 | 1 | Washer | Rondella | Rondelle | Scheibe | |
| 29 | 112604899/0 | 1 | Crown Fastener | Fissatore A Corona | Fixateur A Couronne | Kronescheibe | |
| 30 | 135062011/0 | 1 | Belt | Cinghia | Courroie | Riemen | |
| 31 | 119410608/1 | 1 | Gearbox Switch | Interrutt. Cambio | Int. Boîte De Vitesse | Antrieb Schalter | |
| 32 | 125065026/0 | 1 | Cable | Cavo | Cable | Kabel | |
| 41 | 125510100/0 | 1 | Pin | Perno | Pivot | Bolzen | |
| 42 | 112691800/0 | 1 | Screw | Vite | Vis | Schraube | |
| 43 | 125601555/0 | 1 | Pulley | Puleggia | Poulie | Riemenscheibe | |
| 44 | 112523060/0 | 1 | Washer | Rondella | Rondelle | Scheibe | |
| 45 | 112155000/0 | 1 | Nut | Dado | Ecrou | Nuss | |
| 46 | 125160014/1 | 1 | Right Spacer | Distanziale Destro | Entretoise Droit | Rechter Entfernungsstück | |
| 47 | 125160018/1 | 1 | Left Spacer | Distanziale Sinistro | Entretoise Gauche | Linker Entfernungsstück | |
| 48 | 112691200/0 | 1 | Screw | Vite | Vis | Schraube | |
| 49 | 112691100/0 | 1 | Screw | Vite | Vis | Schraube | |
| 50 | 125601588/0 | 2 | Pulley | Puleggia | Poulie | Riemenscheibe | |
| 51 | 122671653/0 | 2 | Washer | Rondella | Rondelle | Scheibe | |
| 52 | 112155000/0 | 2 | Nut | Dado | Ecrou | Nuss | |
| 53 | 118400910/2 | 1 | Rear Axle | Asse Posteriore | Axe Arriere | Hinterachse | |
| 54 | 112691900/0 | 4 | Screw | Vite | Vis | Schraube | |
| 55 | 112154210/0 | 4 | Nut | Dado | Ecrou | Nuss | |
| 56 | 325774479/0 | 2 | Clamp | Staffa | Etrier | Bride | |
| 57 | 112735150/0 | 2 | Screw | Vite | Vis | Schraube | |
| 58 | 112792611/0 | 2 | Screw | Vite | Vis | Schraube | |
| 59 | 112293201/0 | 2 | Nut | Dado | Ecrou | Nuss | |
| 60 | 182601509/0 | 1 | Pulley | Puleggia | Poulie | Riemenscheibe | |
| 61 | 112139430/0 | 1 | Key | Chiave | Clef | Schlüssel | |
| 62 | 112608950/0 | 1 | Seeger | Seeger | Seeger | Seeger | |
| 63 | 125270331/0 | 1 | Belt Guide | Guidacinghia | Guide De Courroie | Riemenführung | |
| 64 | 112523040/0 | 2 | Washer | Rondella | Rondelle | Scheibe | |
| 65 | 112292102/0 | 2 | Nut | Dado | Ecrou | Nuss | |
| 67 | 112521410/0 | 24 | Washer | Rondella | Rondelle | Scheibe | |
| 71 | 125580030/0 | 2 | Belt Guide | Piolo Guidacinghia | Guide De Courroie | Riemenführung | |
| 72 | 112523060/0 | 2 | Washer | Rondella | Rondelle | Scheibe | |
| 73 | 112360425/0 | 2 | Nut | Dado | Ecrou | Nuss | |



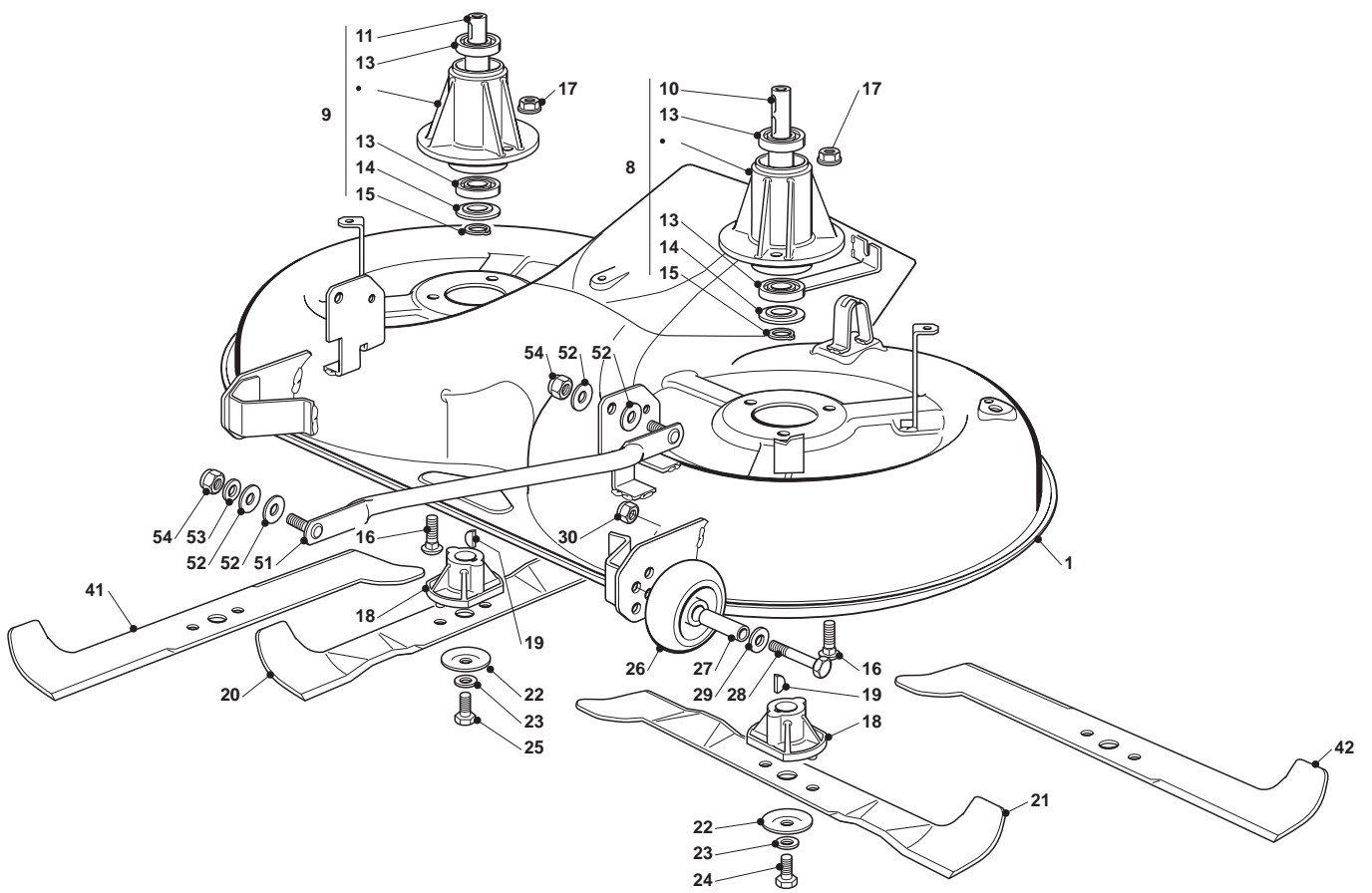
Cutting Plate Lifting

| POS | CODE | Q.TY | DESCRIPTION | DESCRIZIONE | DESCRIPTION | BESCHREIBUNG | NOTES |
|-----|-------------|------|---------------------|-----------------------|-----------------------|------------------------|-------|
| 1 | 382774249/0 | 1 | Clamp | Staffa | Etrier | Bride | |
| 2 | 382318219/1 | 1 | Lever | Leva | Levier | Hebel | |
| 3 | 325394535/0 | 1 | Knob | Manopolina | Poignée | Griff | |
| 4 | 112674700/0 | 1 | Screw | Vite | Vis | Schraube | |
| 5 | 112154510/0 | 1 | Nut | Dado | Ecrou | Mutter | |
| 6 | 325650113/0 | 1 | Plate | Piastrina | Plaquette | Plättchen | |
| 7 | 112818690/0 | 2 | Screw | Vite | Vis | Schraube | |
| 8 | 112155000/0 | 2 | Nut | Dado | Ecrou | Mutter | |
| 9 | 122041980/0 | 2 | Bush | Bussola | Douille | Buchse | |
| 10 | 112523060/0 | 2 | Washer | Rosetta | Rondelle | Scheibe | |
| 11 | 112691600/0 | 1 | Screw | Vite | Vis | Schraube | |
| 12 | 112155000/0 | 1 | Nut | Dado | Ecrou | Mutter | |
| 13 | 125430259/0 | 1 | Spring | Molla | Ressort | Feder | |
| 14 | 325735511/0 | 1 | Sector | Sector | Sector | Sector | |
| 15 | 112818690/0 | 2 | Screw | Vite | Vis | Schraube | |
| 16 | 112293201/0 | 2 | Nut | Dado | Ecrou | Mutter | |
| 17 | 382000387/0 | 1 | Axle | Asse Avanzamento | Axe | Achse | |
| 18 | 325547041/1 | 2 | Plate | Piastrina | Plaquette | Plättchen | |
| 19 | 112731580/0 | 4 | Screw | Vite | Vis | Schraube | |
| 20 | 382000618/0 | 1 | Rod | Asta | Tige | Stange | |
| 21 | 325670011/0 | 1 | Antifriction Washer | Rondella Antifrizione | Rondelle Antifriction | Anti Friktionswäscher | |
| 22 | 124487998/0 | 1 | Cotter Pin | Coppiglia | Goupille | Split | |
| 23 | 112523040/0 | 1 | Washer | Rosetta | Rondelle | Scheibe | |
| 24 | 112154210/0 | 1 | Self-Locking Nut | Dado Autobloccante | Écrou auto-bloquant | Selbstsichernde Mutter | |
| 25 | 122446402/0 | 1 | Spring | Molla | Ressort | Feder | |
| 26 | 112792410/0 | 1 | Screw | Vite | Vis | Schraube | |
| 27 | 112292102/0 | 2 | Nut | Dado | Ecrou | Mutter | |
| 28 | 382000589/0 | 1 | Connecting Rod | Asta Collegamento | Tige De Connexion | Verbindungsstab | |
| 29 | 325670008/1 | 2 | Washer | Rosetta | Rondelle | Scheibe | |
| 30 | 112156602/0 | 1 | Nut | Nut | Nut | Nut | |
| 31 | 124487998/0 | 1 | Cotter Pin | Coppiglia | Goupille | Split | |
| 32 | 125510056/1 | 1 | Pin | Perno | Pivot | Bolzen | |
| 33 | 325670008/1 | 2 | Washer | Rosetta | Rondelle | Scheibe | |
| 34 | 112156602/0 | 1 | Nut | Dado | Ecrou | Mutter | |
| 35 | 125840031/0 | 2 | Tie Rod | Tirante | Tirant | Spannstange | |
| 36 | 112295200/0 | 2 | Hexagonal Nut | Dado | Ecrou | Mutter | |
| 37 | 125510070/1 | 1 | Pin | Perno | Pivot | Bolzen | |
| 38 | 112523090/0 | 2 | Washer | Rosetta | Rondelle | Scheibe | |
| 39 | 124487998/0 | 2 | Cotter Pin | Coppiglia | Goupille | Split | |
| 40 | 112521360/0 | 2 | Washer | Rosetta | Rondelle | Scheibe | |
| 41 | 382000587/0 | 1 | Axle | Asse Avanzamento | Axe | Achse | |
| 42 | 327546015/1 | 2 | Plate | Piastrina | Plaquette | Plättchen | |
| 43 | 112731350/0 | 4 | Screw | Vite | Vis | Schraube | |
| 44 | 125840032/0 | 1 | Throttle Rod | Tirante Acceleratore | Tige Accélérateur | Spannstift Gashebel | |
| 45 | 325670008/1 | 1 | Washer | Rosetta | Rondelle | Scheibe | |
| 46 | 124487998/0 | 1 | Cotter Pin | Coppiglia | Goupille | Split | |
| 47 | 125510125/0 | 1 | Pin | Perno | Pivot | Bolzen | |
| 48 | 112295200/0 | 1 | Hexagonal Nut | Dado | Ecrou | Mutter | |
| 49 | 112156602/0 | 1 | Nut | Dado | Ecrou | Mutter | |
| 50 | 325670008/1 | 2 | Washer | Rosetta | Rondelle | Scheibe | |
| 51 | 112156602/0 | 1 | Nut | Dado | Ecrou | Mutter | |
| 52 | 125840032/0 | 1 | Throttle Rod | Tirante Acceleratore | Tige Accélérateur | Spannstift Gashebel | |
| 53 | 325670008/1 | 1 | Washer | Rosetta | Rondelle | Scheibe | |
| 54 | 124487998/0 | 1 | Cotter Pin | Coppiglia | Goupille | Split | |
| 55 | 125510056/1 | 1 | Pin | Perno | Pivot | Bolzen | |
| 56 | 112295200/0 | 1 | Hexagonal Nut | Dado | Ecrou | Mutter | |
| 57 | 112156602/0 | 1 | Nut | Dado | Ecrou | Mutter | |
| 58 | 325670008/1 | 2 | Washer | Rosetta | Rondelle | Scheibe | |
| 59 | 112156602/0 | 1 | Nut | Dado | Ecrou | Mutter | |

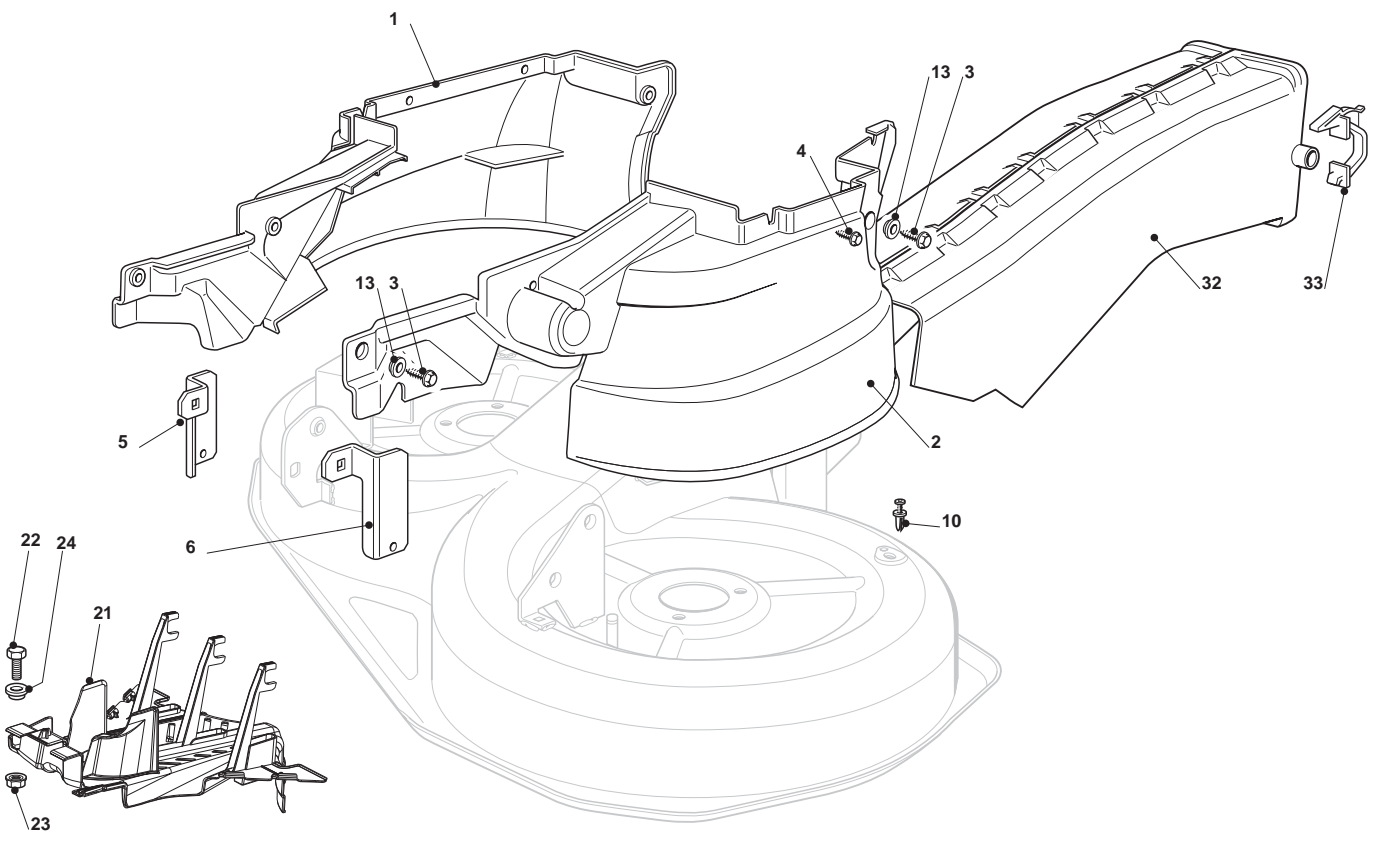


Baldes Engagement

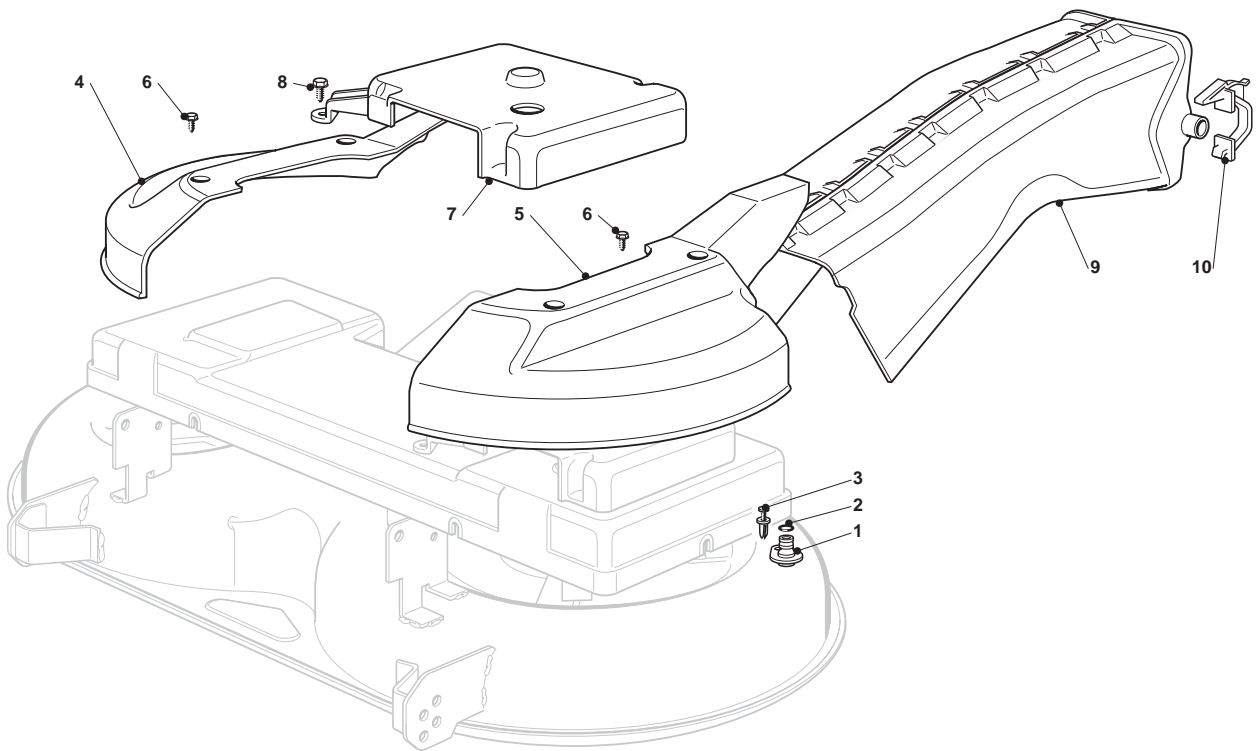
| POS | CODE | Q.TY | DESCRIPTION | DESCRIZIONE | DESCRIPTION | BESCHREIBUNG | NOTES |
|-----|-------------|------|-------------------|-------------------|----------------------|----------------|-------|
| 1 | 382547029/0 | 1 | Plate | Piastra | Plaque | Platte | |
| 2 | 112792611/0 | 4 | Screw | Vite | Vis | Schraube | |
| 3 | 112293201/0 | 4 | Nut | Dado | Ecrou | Mutter | |
| 4 | 382785084/2 | 1 | Support | Supporto | Support | Halter | |
| 5 | 125601559/1 | 2 | Toothed Pulley | Toothed Pulley | Toothed Pulley | Toothed Pulley | |
| 6 | 119216048/0 | 2 | Bearing | Cuscinetto | Roul. À Billes | Kugellager | |
| 7 | 112610800/0 | 2 | Snap Ring | Anello Seeger | Circlip | Circlip | |
| 8 | 112609200/0 | 2 | Seeger | Seeger | Seeger | Seeger | |
| 9 | 325650037/0 | 1 | Pulley Stiffening | Rinforzo Puleggia | Reinforcement Poulie | Verstaerkung | |
| 10 | 112793102/0 | 2 | Screw | Vite | Vis | Schraube | |
| 11 | 112521350/0 | 2 | Washer | Rosetta | Rondelle | Scheibe | |
| 12 | 112583500/0 | 2 | Grower | Grower | Grower | Federring | |
| 13 | 125160003/0 | 4 | Spacer | Distanziale | Entretoise | Distanzring | |
| 14 | 125038000/0 | 4 | Bush | Bussola | Douille | Büchse | |
| 15 | 112691700/0 | 1 | Screw | Vite | Vis | Schraube | |
| 16 | 112691200/0 | 3 | Screw | Vite | Vis | Schraube | |
| 17 | 112521350/0 | 4 | Washer | Rosetta | Rondelle | Scheibe | |
| 18 | 112155000/0 | 4 | Nut | Dado | Ecrou | Mutter | |
| 19 | 112793900/0 | 1 | Screw | Vite | Vis | Schraube | |
| 20 | 112293200/0 | 1 | Hexagonal Nut | Dado | Ecrou | Mutter | |
| 21 | 125601560/0 | 2 | Pulley | Puleggia | Poulie | Riemenscheibe | |
| 22 | 112139480/0 | 3 | Feather | Linguetta | Clavette | Keil | |
| 23 | 112793102/0 | 1 | Screw | Vite | Vis | Schraube | |
| 24 | 125670007/0 | 1 | Washer | Rosetta | Rondelle | Scheibe | |
| 25 | 112583500/0 | 1 | Grower | Grower | Grower | Federring | |
| 26 | 135065600/0 | 1 | Belt | Cinghia | Courroie | Riemen | |
| 27 | 112815200/0 | 3 | Screw | Vite | Vis | Schraube | |
| 28 | 112292102/0 | 3 | Nut | Dado | Ecrou | Mutter | |
| 29 | 125060100/3 | 1 | Protection | Protezione | Protection | Schutz | |
| 30 | 112735110/0 | 6 | Screw | Vite | Vis | Schraube | |
| 31 | 125601550/0 | 1 | Pulley | Puleggia | Poulie | Riemenscheibe | |
| 32 | 112793102/0 | 1 | Screw | Vite | Vis | Schraube | |
| 33 | 125670007/0 | 1 | Washer | Rosetta | Rondelle | Scheibe | |
| 34 | 112583500/0 | 1 | Grower | Grower | Grower | Federring | |
| 35 | 125160002/1 | 1 | Spacer | Distanziale | Entretoise | Distanzring | |
| 36 | 325318115/1 | 1 | Lever | Leva | Levier | Hebel | |
| 40 | 125601555/0 | 1 | Pulley | Puleggia | Poulie | Riemenscheibe | |
| 41 | 125160007/0 | 1 | Spacer | Distanziale | Entretoise | Distanzring | |
| 42 | 112818900/0 | 1 | Screw | Vite | Vis | Schraube | |
| 43 | 112523060/0 | 1 | Washer | Rosetta | Rondelle | Scheibe | |
| 44 | 112155000/0 | 1 | Nut | Dado | Ecrou | Mutter | |
| 45 | 112793102/0 | 1 | Screw | Vite | Vis | Schraube | |
| 46 | 112523070/0 | 1 | Washer | Rosetta | Rondelle | Scheibe | |
| 47 | 112583500/0 | 1 | Grower | Grower | Grower | Federring | |
| 48 | 135062811/0 | 1 | Belt | Cinghia | Courroie | Riemen | |
| 50 | 112523060/0 | 1 | Washer | Rosetta | Rondelle | Scheibe | |
| 91 | 182004608/0 | 1 | Wire | Filo | Fil | Kabel | |



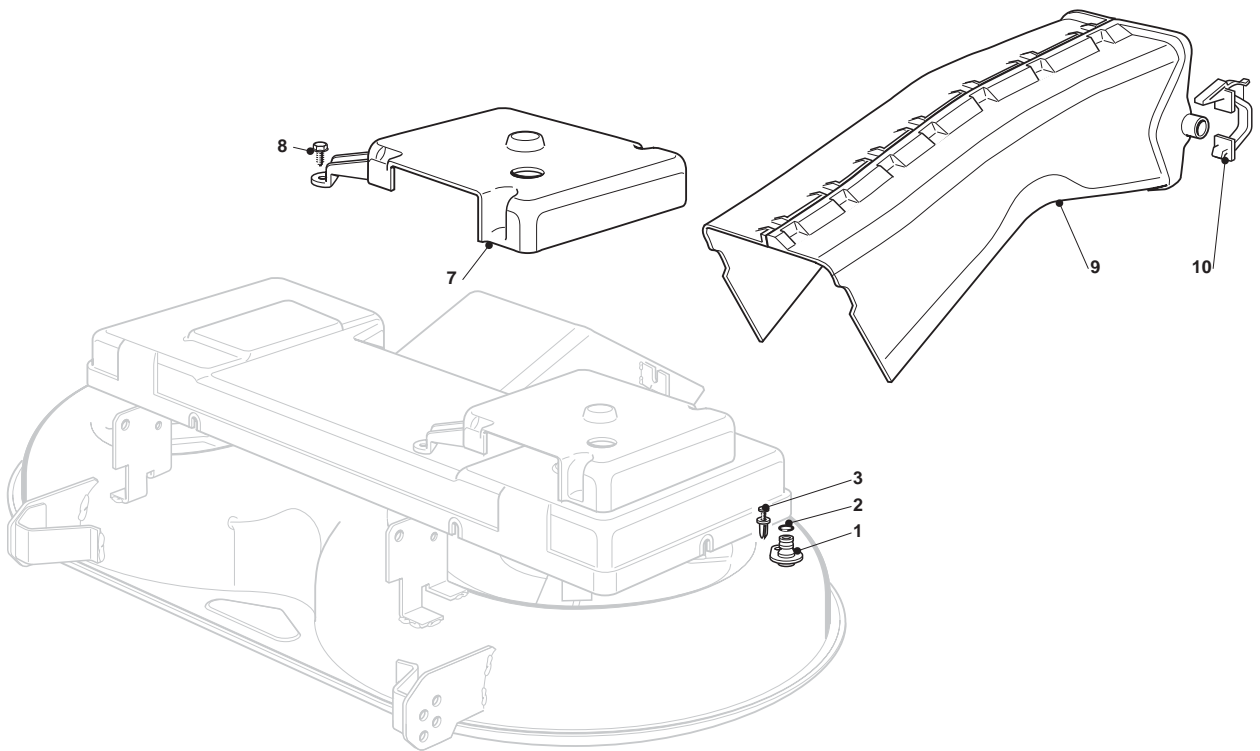
| Cutting Plate | | | | | | | |
|---------------|-------------|------|------------------------|-------------------------------|------------------------------|-----------------------------|-------|
| POS | CODE | Q.TY | DESCRIPTION | DESCRIZIONE | DESCRIPTION | BESCHREIBUNG | NOTES |
| 1 | 382564151/0 | 1 | Cutting Plate Black | Piatto Di Taglio Nero | Plateau De Coupe Noir | Schneidwerkzeug Schwarz | |
| 8 | 382207200/1 | 1 | Flange Assy | Ass. Flangia Collet. Aspiraz. | Bride Collect. Aspiration | Flansch Koll. Ansaugung | |
| 9 | 382207201/2 | 1 | Support Shaft | Flangia Albero Secondario | Flange Arbre Lame Secondaire | Messerwellw Kpl | |
| 10 | 125020800/1 | 1 | Main Blade Shaft | Albero Lama Principale | Arbre Lame Principal | Haup Messerwelle | |
| 11 | 125020801/2 | 1 | Secondary Blade Shaft | Albero Lama Secondario | Arbre Lame Secondaire | Zweite Messerwelle | |
| 13 | 119216047/0 | 4 | Bearing | Cuscinetto | Roul. À Billes | Kugellager | |
| 14 | 325160501/0 | 2 | Dust Cover Disc | Disco Parapolvere | Protege-Poussiere | Staubschuttscheibe | |
| 15 | 112609260/0 | 2 | Seeger | Seeger | Seeger | Seeger | |
| 16 | 112818700/0 | 6 | Screw | Vite | Vis | Schraube | |
| 17 | 112154210/0 | 6 | Self-Locking Nut | Dado Autobloccante | Écrou auto-bloquant | Selbstsichernde Mutter | |
| 18 | 125463200/0 | 2 | Blade Hub | Mozzo, Coltello | Moyeu Lame | Halter-Messer | |
| 19 | 112139100/0 | 2 | Key | Chiave | Clef | Schlüssel | |
| 20 | 182004348/0 | 1 | Right Mulching Blade | Coltello Destro Mulching | Lame Droit Mulching | Rechter Messer Mulching | |
| 21 | 182004347/0 | 1 | Left Blade Mulching | Coltello Sinistro Mulching | Lame Gauche Mulching | Linker Messer Mulching | |
| 22 | 122160400/0 | 2 | Elastic Washer | Disco Elastico | Disque Elastique | Federscheibe | |
| 23 | 112523080/0 | 2 | Washer | Rosetta | Rondelle | Scheibe | |
| 24 | 112735694/0 | 1 | Screw | Vite | Vis | Schraube | |
| 25 | 112735695/1 | 1 | Screw | Vite | Vis | Schraube | |
| 26 | 182700001/0 | 2 | Anti Scalp Wheel Ø 100 | Ruotino Antiscalpo Ø 100 | Roulettes Antiscalp Ø 100 | Skalpierschutzrädchen Ø 100 | |
| 27 | 125510072/1 | 2 | Spacer | Distanziale | Entretoise | Distanzring | |
| 28 | 112692050/0 | 2 | Screw | Vite | Vis | Schraube | |
| 29 | 112523060/0 | 2 | Washer | Rosetta | Rondelle | Scheibe | |
| 30 | 112293201/0 | 2 | Nut | Dado | Ecrou | Mutter | |
| 41 | 182004341/1 | 1 | Right Blade, Winged | Coltello Destro, Alettato | Lame Droit, Aillettee | Rechter Messer, Flügel | |
| 42 | 182004340/1 | 1 | Left Blade, Winged | Coltello Sinistro, Alettato | Lame Gauche, Aillettee | Linker Messer, Flügel | |
| 51 | 382000474/1 | 2 | Equalizer Rod | Asta Bilanciere | Tige Balancier | Kipphebel | |
| 52 | 325670008/1 | 8 | Washer | Rosetta | Rondelle | Scheibe | |
| 53 | 112523060/0 | 2 | Washer | Rosetta | Rondelle | Scheibe | |
| 54 | 112156602/0 | 4 | Nut | Dado | Ecrou | Mutter | |



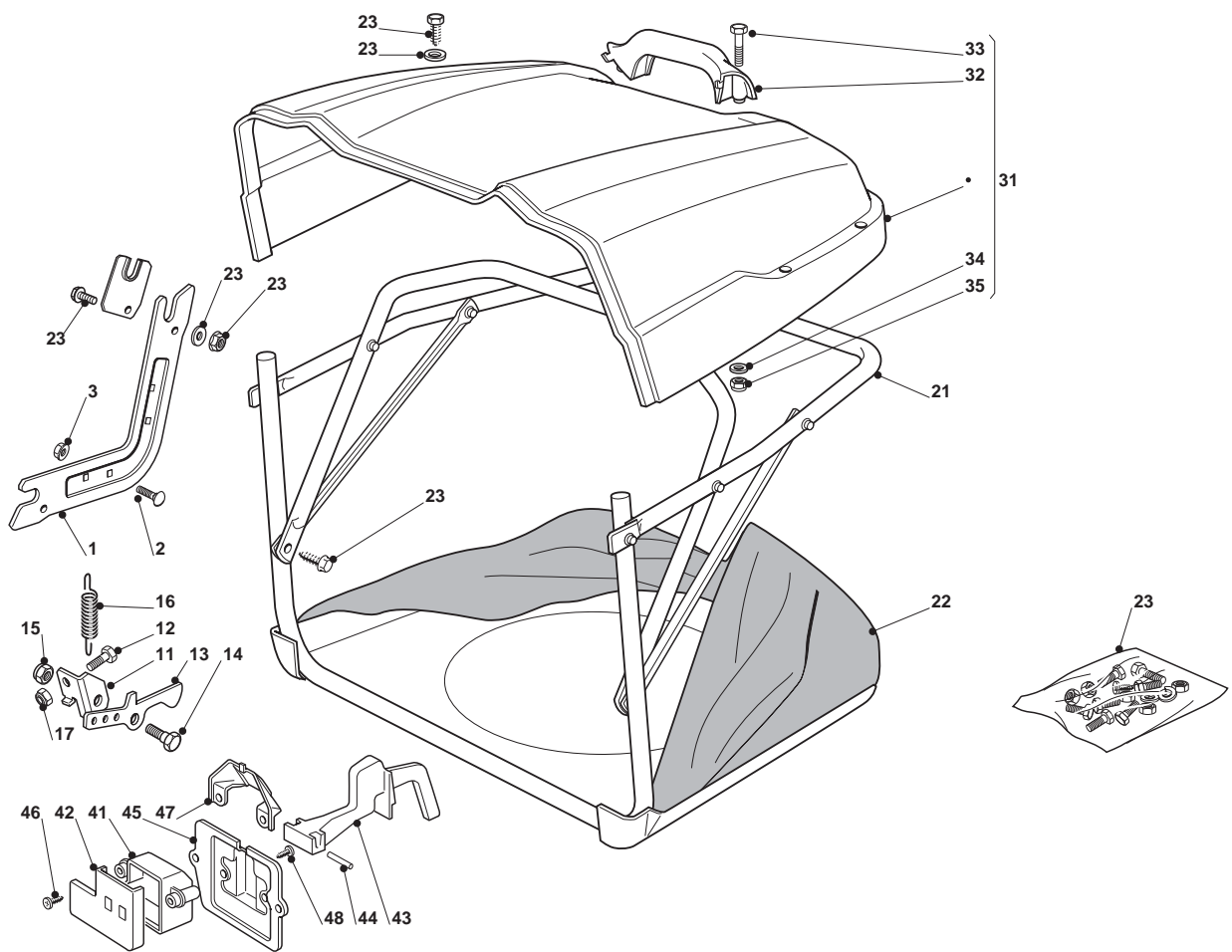
| Guards (Cemagref) | | | | | | | |
|-------------------|-------------|------|------------------------------|------------------------------|-----------------------------------|-----------------------|-------|
| POS | CODE | Q.TY | DESCRIPTION | DESCRIZIONE | DESCRIPTION | BESCHREIBUNG | NOTES |
| 1 | 325060156/0 | 1 | Right Belt Protection Carter | Carter Protezione Cinghia Dx | Carter Protection Courroie Droit | Schutz Rechte, Riemen | |
| 2 | 325060157/0 | 1 | Left Belt Protection Carter | Carter Protezione Cinghia Sx | Carter Protection Courroie Gauche | Schutz Linke, Riemen | |
| 3 | 125943011/0 | 6 | Screw | Vite | Vis | Schraube | |
| 4 | 112735120/0 | 4 | Screw | Vite | Vis | Schraube | |
| 5 | 325774381/0 | 1 | Bracket | Staffa | Etrier | Schelle | |
| 6 | 325774383/0 | 1 | Bracket | Staffa | Etrier | Schelle | |
| 10 | 112500030/0 | 2 | Rivet | Rivetto | Rivet | Niet | |
| 13 | 112604899/0 | 6 | Crown Fastener | Fissatore A Corona | Fixateur A Couronne | Kronescheibe | |
| 21 | 325060160/0 | 1 | Belt Protection Carter | Carter Protezione Cinghia | Carter Protection Courroie | Schutz, Riemen | |
| 22 | 112791400/0 | 2 | Screw | Vite | Vis | Schraube | |
| 23 | 112154510/0 | 2 | Nut | Dado | Ecrou | Nuss | |
| 24 | 12521330/0 | 2 | Washer | Rondella | Rondelle | Scheibe | |
| 33 | 325774373/0 | 2 | Clamp | Staffa | Etrier | Bride | |



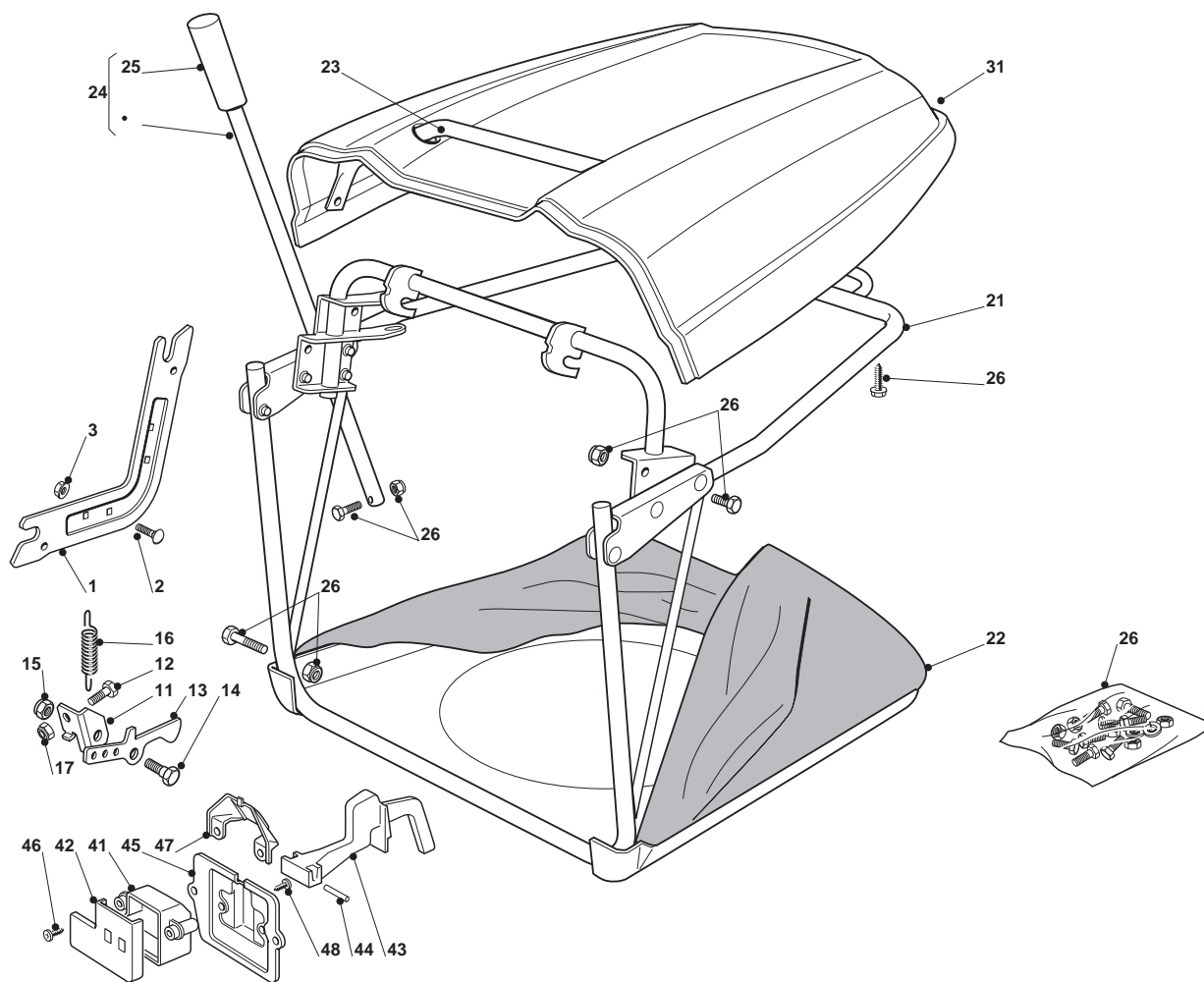
| Guards | | | | | | | |
|--------|-------------|------|---------------------------|-------------------------|---------------------------|------------------------|-------|
| POS | CODE | Q.TY | DESCRIPTION | DESCRIZIONE | DESCRIPTION | BESCHREIBUNG | NOTES |
| 1 | 125033060/0 | 2 | Washing Cutting Deck Conn | Attacco Lavaggio Piatto | Attaque Lavage Plateau De | Wasseranschluß Mähwerk | |
| 2 | 119035000/0 | 2 | O.R. Ring | O.R. Ring | O.R. Ring | O.R. Ring | |
| 3 | 112500030/0 | 2 | Rivet | Rivetto | Rivet | Niet | |
| 4 | 125060104/0 | 1 | Right Case | Carter Dx | Carter | Gehäuse | |
| 5 | 125060105/0 | 1 | Left Case | Carter Sinistro | Carter | Gehäuse | |
| 6 | 112735403/0 | 4 | Screw | Vite | Vis | Schraube | |
| 7 | 125600049/0 | 1 | Belt Protection | Carter Cinghia | Protection Courroie | Schutz, Riemen | |
| 8 | 112735403/0 | 3 | Screw | Vite | Vis | Schraube | |
| 9 | 382108021/0 | 1 | Conveyor | Convogliatore | Convoyeur | Konveyor | |
| 10 | 325774373/0 | 2 | Clamp | Staffa | Etrier | Bride | |



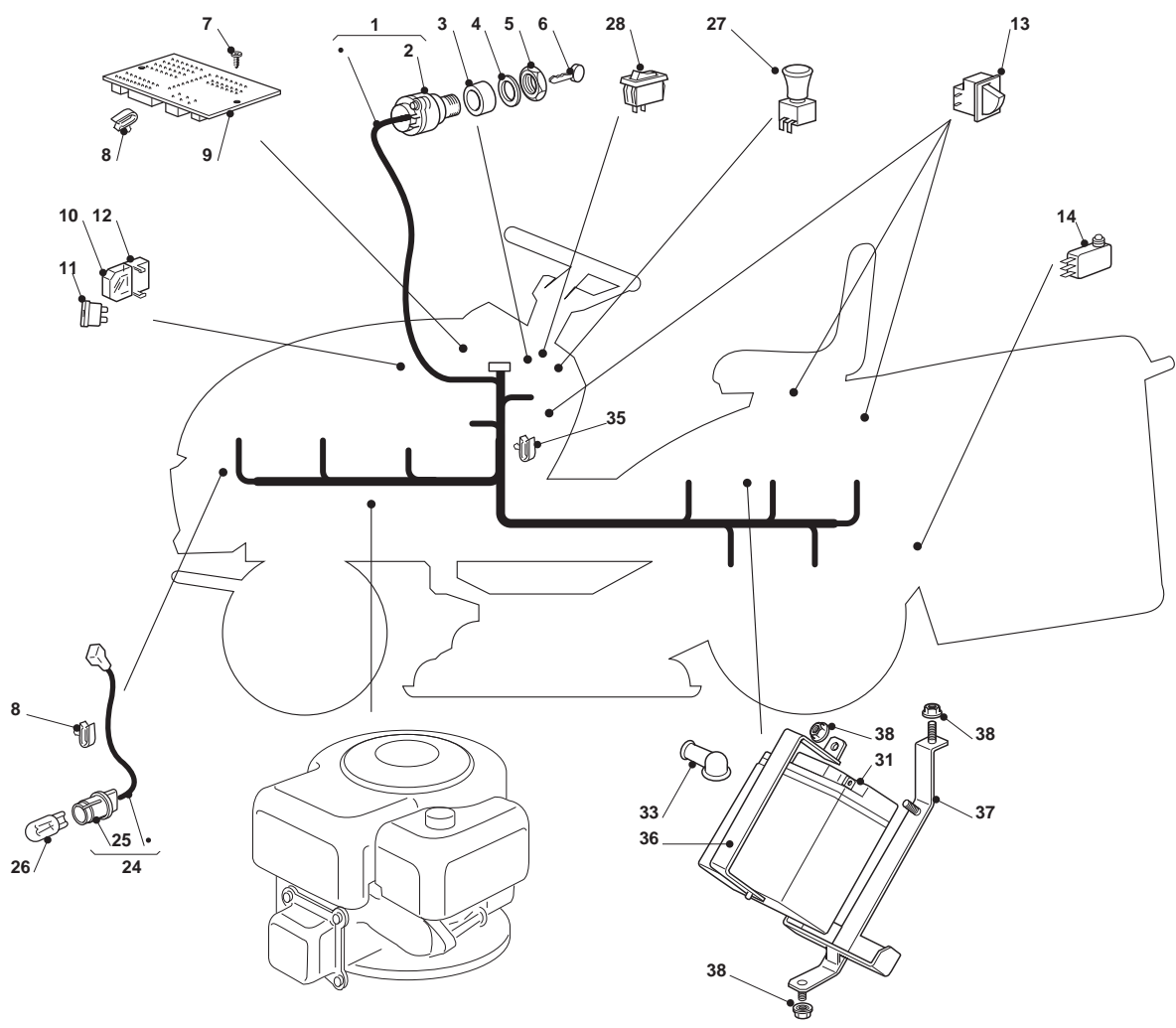
| Guards | | | | | | | |
|--------|-------------|------|---------------------------------|-------------------------|---------------------------------|------------------------|-------|
| POS | CODE | Q.TY | DESCRIPTION | DESCRIZIONE | DESCRIPTION | BESCHREIBUNG | NOTES |
| 1 | 125033060/0 | 2 | Washing Cutting Deck Connection | Attacco Lavaggio Piatto | Attaque Lavage Plateau De Coupe | Wasseranschluß Mähwerk | |
| 2 | 119035000/0 | 2 | O.R. Ring | O.R. Ring | O.R. Ring | O.R. Ring | |
| 3 | 112500030/0 | 2 | Rivet | Rivetto | Rivet | Niet | |
| 7 | 125600049/0 | 1 | Belt Protection | Carter Cinghia | Protection Courroie | Schutz, Riemen | |
| 8 | 112735403/0 | 3 | Screw | Vite | Vis | Schraube | |
| 9 | 382108021/0 | 1 | Conveyor | Convogliatore | Convoyeur | Konveyor | |
| 10 | 325774373/0 | 2 | Clamp | Staffa | Etrier | Bride | |



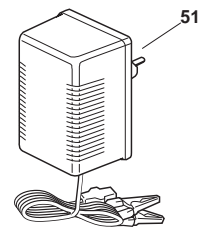
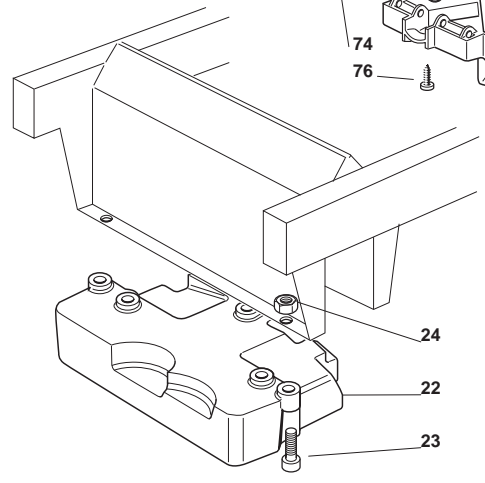
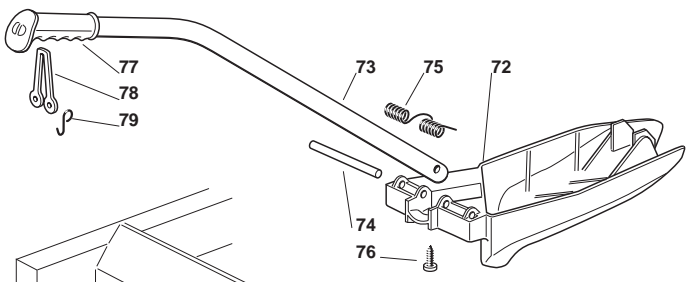
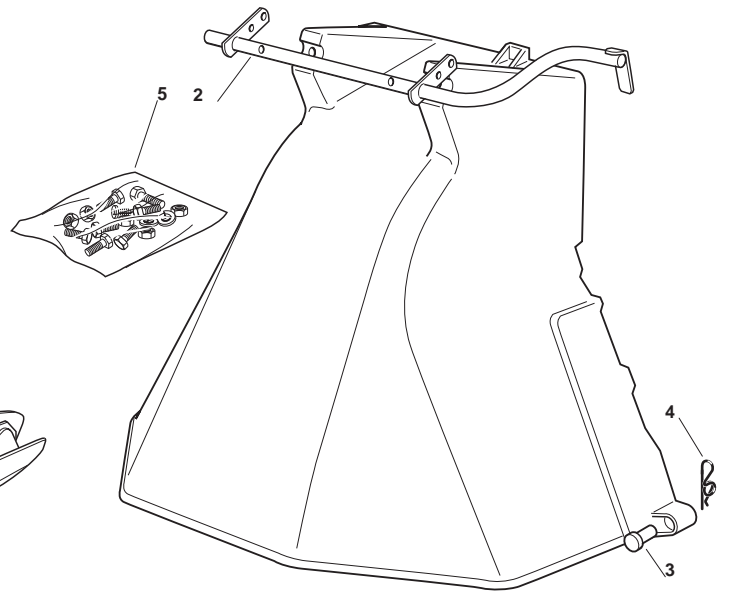
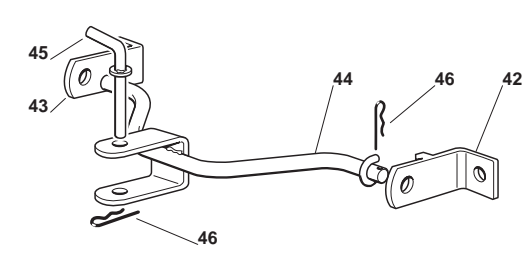
| Grasscatcher >E | | | | | | | |
|-----------------|-------------|------|--------------------------------|----------------------|---------------------|------------------------|-------|
| POS | CODE | Q.TY | DESCRIPTION | DESCRIZIONE | DESCRIPTION | BESCHREIBUNG | NOTES |
| 1 | 325785275/0 | 2 | Support | Supporto | Support | Halter | |
| 2 | 112293201/0 | 4 | Nut | Dado | Écrou | Mutter | |
| 3 | 112818690/0 | 4 | Screw | Vite | Vis | Schraube | |
| 11 | 325755031/1 | 1 | Bracket | Staffa | Etrier | Bride | |
| 12 | 112789000/0 | 1 | Screw | Vite | Vis | Schraube | |
| 13 | 325774315/1 | 1 | Bracket | Staffa | Etrier | Bride | |
| 14 | 125510080/1 | 1 | Pin | Perno | Pivot | Bolzen | |
| 15 | 112292102/0 | 1 | Nut | Dado | Écrou | Mutter | |
| 16 | 122450432/0 | 1 | Spring | Molla | Ressort | Feder | |
| 17 | 112154330/0 | 1 | Low Self-Locking Nut | Dado Autobloccante | Écrou auto-bloquant | Selbstsichernde Mutter | |
| 21 | 382800110/0 | 1 | Front Frame | Front Frame | Front Frame | Front Frame | |
| 22 | 182105974/0 | 1 | Grasscatcher | Confezione Sacco | Bac | Sack | |
| 23 | 382180120/0 | 1 | Screw | Vite | Vis | Schraube | |
| 31 | 382110273/0 | 1 | Black Grass-Catcher Cover | Copertura Sacco Nero | Couvre-Bac Noir | Sackkappe Schwarz | |
| 31 | 382110273/1 | 1 | Black Grass-Catcher Cover | Copertura Sacco Nero | Couvre-Bac Noir | Sackkappe Schwarz | |
| 32 | 127394000/0 | 1 | Handle | Corrimano | Main-Courante | Handlauf | |
| 33 | 112789020/0 | 2 | Screw | Vite | Vis | Schraube | |
| 34 | 112523020/0 | 2 | Washer | Rosetta | Rondelle | Scheibe | |
| 35 | 112154330/0 | 2 | Low Self-Locking Nut | Dado Autobloccante | Écrou auto-bloquant | Selbstsichernde Mutter | |
| 41 | 125600041/0 | 1 | Micro Protection | Protezione Micro | Protection Micro | Schutz | |
| 42 | 125600042/0 | 1 | Micro Protection | Protezione Micro | Protection Micro | Schutz | |
| 43 | 125318124/0 | 1 | Full Grassc. Microswtich Cover | Leva Comando Micro | Levier Microint. | Kontaktgeber Vollkorb | |
| 44 | 112400030/0 | 1 | Pin | Perno | Pivot | Bolzen | |
| 45 | 325785272/0 | 1 | Micro Protection | Protezione Micro | Protection Micro | Schutz | |
| 46 | 112728510/0 | 1 | Screw | Vite | Vis | Schraube | |
| 47 | 125600048/0 | 1 | Micro Protection | Protezione Micro | Protection Micro | Schutz | |
| 48 | 112735110/0 | 2 | Screw | Vite | Vis | Schraube | |



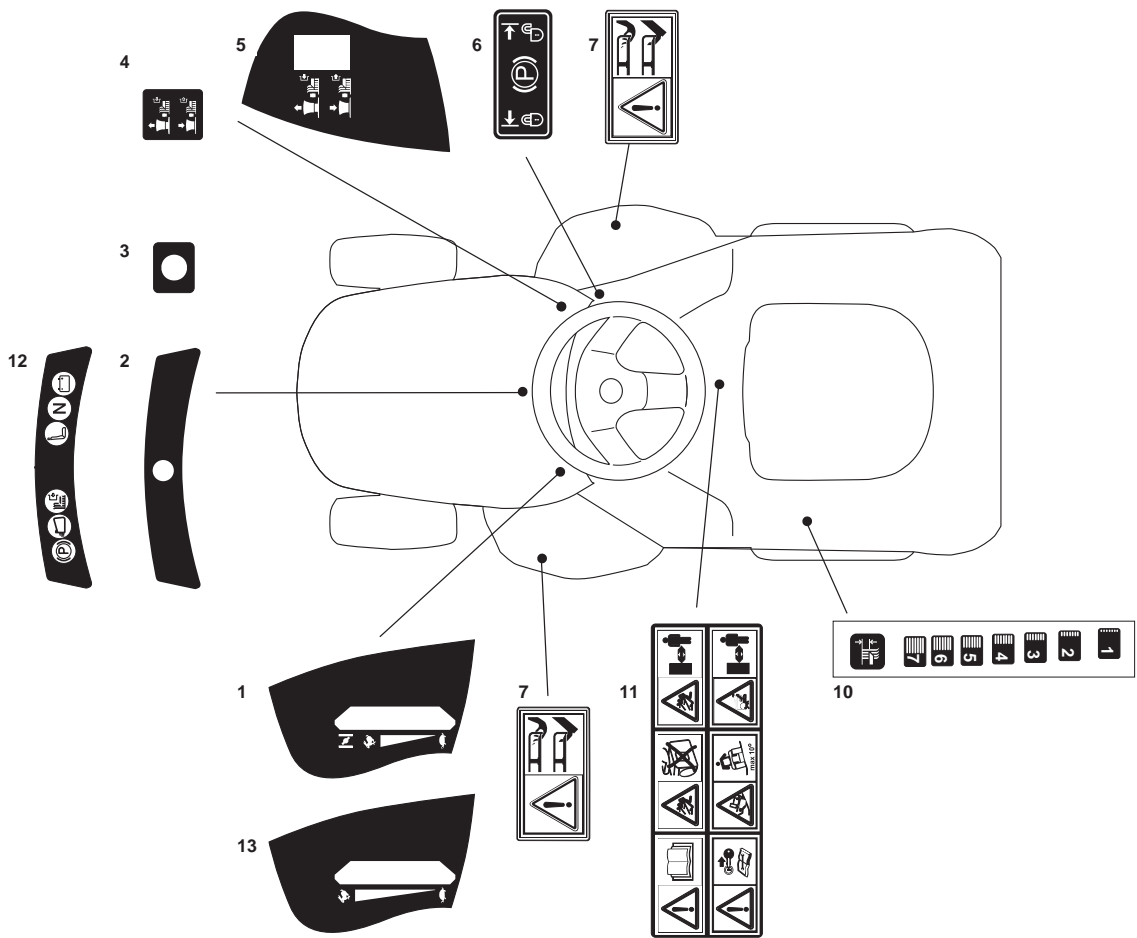
| Grasscatcher : E | | | | | | | |
|------------------|-------------|------|--------------------------------|------------------------|------------------------------|------------------------------------|-------|
| POS | CODE | Q.TY | DESCRIPTION | DESCRIZIONE | DESCRIPTION | BESCHREIBUNG | NOTES |
| 1 | 325785275/0 | 2 | Support | Supporto | Support | Halter | |
| 2 | 112818690/0 | 4 | Screw | Vite | Vis | Schraube | |
| 3 | 112293201/0 | 4 | Nut | Dado | Ecrou | Mutter | |
| 11 | 325755031/1 | 1 | Bracket | Staffa | Etrier | Bride | |
| 12 | 112789000/0 | 1 | Screw | Vite | Vis | Schraube | |
| 13 | 325774315/1 | 1 | Bracket | Staffa | Etrier | Bride | |
| 14 | 125510080/1 | 1 | Pin | Perno | Pivot | Bolzen | |
| 15 | 112292102/0 | 1 | Nut | Dado | Ecrou | Mutter | |
| 16 | 122450432/0 | 1 | Spring | Molla | Ressort | Feder | |
| 17 | 112154330/0 | 1 | Low Self-Locking Nut | Dado Autobloccante | Écrou auto-bloquant | Selbstsichernde Mutter | |
| 21 | 382800111/0 | 1 | Front Frame | Telaio Bocca Sacco | Chassis Avant | Vorderrahmen | |
| 22 | 182105973/0 | 1 | Grasscatcher | Confezione Sacco | Bac | Sack | |
| 23 | 382394003/0 | 1 | Front Handle | Impugnatura Anteriore | Poignée Avant | Handgriff Vorne | |
| 24 | 382869023/0 | 1 | Rod | Asta | Tige | Stange | |
| 25 | 125394508/0 | 1 | Knob | Manopola | Poignee | Knopf | |
| 26 | 382180048/0 | 1 | Screw | Vite | Vis | Schraube | |
| 31 | 325110319/0 | 1 | Yellow Grass-Catcher Cover | Parte Sup.Sacco Giallo | Sac, Partie Superieure Jaune | Korb Oberteil Gelb | |
| 31 | 325110320/0 | 1 | Red Grass-Catcher Cover | Copertura Sacco Rosso | Couvre-Bac, Rouge | Sackkappe, Rot | |
| 31 | 325110342/0 | 1 | Grey Grass-Catcher Cover | Copertura Sacco Grigio | Couvre-Bac Gris | Sackkappe Grau | |
| 31 | 325110413/0 | 1 | Black Grass-Catcher Cover | Copertura Sacco Nero | Couvre-Bac Noir | Sackkappe Schwarz | |
| 31 | 325110421/0 | 1 | White Grass-Catcher Cover | Copertura Sacco Bianco | Couvre-Bac Blanc | Sackkappe Weiß | |
| 41 | 125600041/0 | 1 | Micro Protection | Protection Micro | Schutz | Grassc.Full Micro Protection Tci-F | |
| 42 | 125600042/0 | 1 | Cover | Coperchio | Couvercle | Deckel | |
| 43 | 125318124/0 | 1 | Full Grassc. Microswitch Cover | Leva Comando Micro | Levier Microint. | Kontaktgeber Vollkorb | |
| 44 | 112400030/0 | 1 | Pin | Perno | Pivot | Bolzen | |
| 45 | 325785272/0 | 1 | Micro Protection | Micro Protection | Micro Protection | Micro Protection | |
| 46 | 112728510/0 | 1 | Screw | Vite | Vis | Schraube | |
| 47 | 125600048/0 | 1 | Micro Protection | Micro Protection | Micro Protection | Micro Protection | |
| 48 | 112735110/0 | 2 | Screw | Vite | Vis | Schraube | |



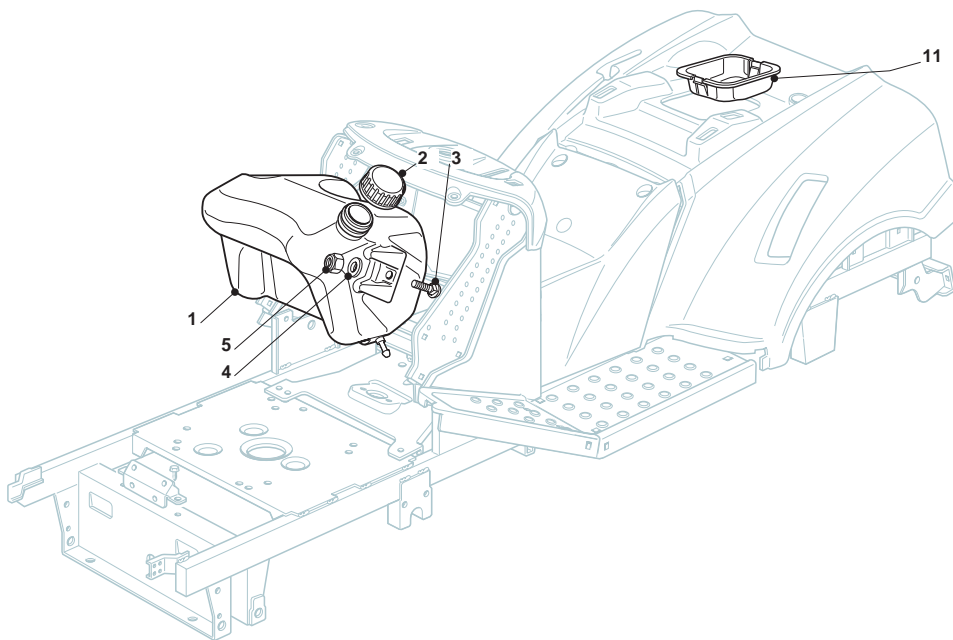
| Electrical Parts | | | | | | | |
|------------------|-------------|------|-------------------------|------------------------------|------------------------------|-----------------------------|--------------------------------------|
| POS | CODE | Q.TY | DESCRIPTION | DESCRIZIONE | DESCRIPTION | BESCHREIBUNG | NOTES |
| 1 | 182040153/0 | 1 | Cables Ass.Y | Cablaggio | Ens. Cablages | Kabelsatz | use on B&S-GGP Engine |
| 1 | 182040154/0 | 1 | Cables Ass.Y | Cablaggio | Ens. Cablages | Kabelsatz | use on Honda Engine |
| 2 | 118450072/0 | 1 | Starting Switch | Interruttore Avviamento | Interrupteur Demarrage | Schalter | |
| 3 | 118550136/0 | 1 | Spacer | Distanziale | Entretoise | Distanzring | |
| 4 | 118550135/0 | 1 | Washer | Rosetta | Rondelle | Scheibe | |
| 5 | 118400862/0 | 1 | Ring Nut | Ghiera | Bague | Ringbolzen | |
| 6 | 118210022/0 | 1 | Starting Key | Chiave Avviamento | Clef A Demarrage | Schlüssel Für Start | |
| 7 | 112727810/0 | 3 | Screw | Vite | Vis | Schraube | |
| 8 | 133320506/0 | 2 | Fairlead | Fermacavo | Fixation Cable | Kabelbefestigung | |
| 9 | 125722430/1 | 1 | Electronic Card (1 Led) | Scheda Elettronica (1 Led) | Carte Electronique (1 Led) | Elektronische Karte (1 Led) | |
| 9 | 125722431/0 | 1 | Electronic Card (6 Led) | Scheda Elettronica (6 Led) | Carte Electronique (6 Led) | Elektronische Karte (6 Led) | |
| 10 | 133215000/0 | 2 | Cover | Coperchio Membrana | Couvercle Membrane | Deckel Membran | |
| 11 | 133340036/0 | 1 | Fuse 25 A | Fusibile 25 A | Fusible 25 A | Sicherung 25 A | |
| 11 | 133340040/0 | 1 | Lamellar Fusible 10A | Lamellar Fusibile 10A | Lamellar Fusible 10A | Lamellar Fusible 10A | |
| 12 | 133500007/0 | 2 | Fuse Carrier | Portafusibile | Tableau De Fusible | Sicherunghalter | |
| 13 | 119410615/0 | 3 | Micro Switch | Micro Interruttore | Microinterrupteur | Mikroschalter | |
| 14 | 119410605/1 | 1 | Micro Switch | Micro Interruttore | Microinterrupteur | Mikroschalter | |
| 24 | 182040073/0 | 1 | Cables Ass.Y | Cablaggio | Ens. Cablages | Kabelsatz | use only on model NJX-NJS-NJU-NJA-NJ |
| 25 | 133500030/0 | 2 | Lamp Holder | Portalampane | Douille De Lampe | Scheinwerferlampe | |
| 26 | 118459100/0 | 2 | Lamp For Lights | Lamp For Lights | Lamp For Lights | Lamp For Lights | |
| 27 | 118450068/0 | 1 | Clutch Switch Yellow | Interruttore Frizione Giallo | Interrupteur Embrajage Jaune | Kupplung Schalter Gelb | |
| 28 | 118450060/1 | 1 | Switch | Interruttore | Interrupteur | Schalter | |
| 31 | 118120002/1 | 1 | Battery | Batteria | Batterie | Batterie | |
| 33 | 118564861/1 | 1 | Protection | Protezione | Protection | Schutz | |
| 35 | 133320506/0 | 9 | Fairlead | Fermacavo | Fixation Cable | Kabelbefestigung | |
| 36 | 327772099/1 | 1 | Clamp | Staffa | Etrier | Bride | |
| 37 | 382785191/0 | 1 | Battery Support | Supporto Batteria | Support Batterie | Batterie Halter | |
| 38 | 112155000/0 | 3 | Nut | Dado | Ecrou | Mutter | |



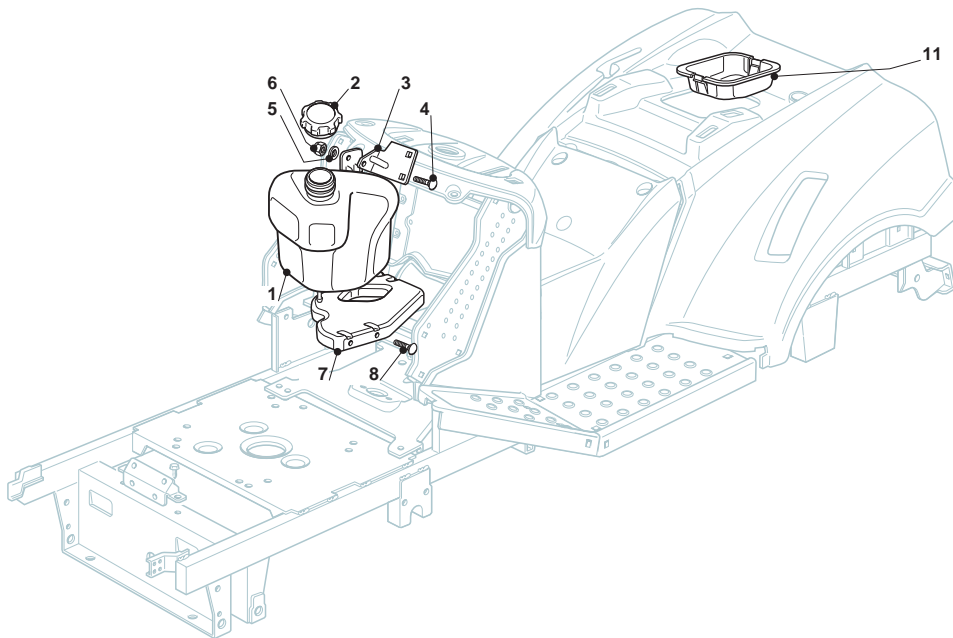
| Optionals On Request | | | | | | | |
|----------------------|-------------|------|-----------------------|-------------------------------|-----------------------------|------------------------|---------|
| POS | CODE | Q.TY | DESCRIPTION | DESCRIZIONE | DESCRIPTION | BESCHREIBUNG | NOTES |
| 2 | 382869035/0 | 1 | Support | Supporto | Support | Halter | |
| 3 | 125510022/0 | 2 | Pin | Perno | Pivot | Bolzen | |
| 4 | 124487998/0 | 2 | Cotter Pin | Coppiglia | Goupille | Split | |
| 5 | 382180062/0 | 1 | Screw | Vite | Vis | Schraube | |
| 22 | 125519997/1 | 1 | Front Weight | Peso | Poids | Gewicht | |
| 23 | 112760520/0 | 3 | Screw | Vite | Vis | Schraube | |
| 24 | 112155000/0 | 3 | Nut | Dado | Ecrou | Mutter | |
| 42 | 382735502/0 | 1 | Bracket | Staffa | Etrier | Bride | |
| 43 | 325774213/0 | 1 | Bracket | Staffa | Etrier | Bride | |
| 44 | 382033117/0 | 1 | Rod | Asta | Tige | Stange | |
| 45 | 125510021/1 | 1 | Hitch Pin | Perno | Pivot | Bolzen | |
| 46 | 124487999/0 | 2 | Spring Pin | Coppiglia | Goupille | Split | |
| 51 | 182180090/0 | 1 | Battery Charger | Carica Batteria | Chargeur De Batterie | Batterieladegerät | EU plug |
| 51 | 182180091/0 | 1 | Battery Charger (Uk) | Carica Batterie (Uk) | Chargeur Batteries (Uk) | Batterieladegerät (Uk) | UK plug |
| 72 | 325140097/0 | 1 | Deflector | Deflettore | Deflecteur | Abweiser | |
| 73 | 325394005/0 | 1 | Handle | Corrimano | Main-Courante | Handlauf | |
| 74 | 125510077/0 | 1 | Pin | Perno | Pivot | Bolzen | |
| 75 | 125430245/0 | 1 | Spring | Molla | Ressort | Feder | |
| 76 | 112735405/0 | 1 | Screw | Vite | Vis | Schraube | |
| 77 | 325280000/1 | 1 | Handgrip | Impugnatura | Poignée | Handgriff | |
| 78 | 125840011/1 | 1 | Tie Rod | Tirante | Tirant | Spannstange | |
| 79 | 125253004/0 | 2 | Mulch.Kit Fixing Hook | Gancio Fissaggio Kit Mulching | Crochet Fixage Kit Mulching | MulchingHaken | |



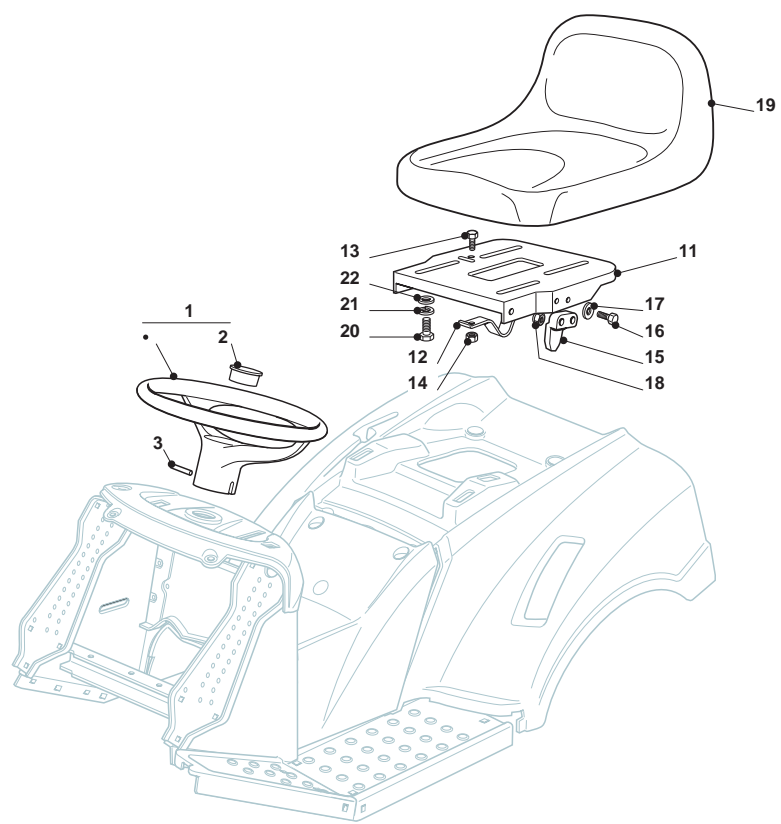
| Labels | | | | | | | |
|--------|-------------|------|-------------|-------------|-------------|--------------|--|
| POS | CODE | Q.TY | DESCRIPTION | DESCRIZIONE | DESCRIPTION | BESCHREIBUNG | NOTES |
| 1 | 114361440/0 | 1 | Label | Etichetta | Étiquette | Etikett | use only on model NJTP-NJX-NJS-NJU-NJA |
| 2 | 125420019/0 | 1 | Label | Etichetta | Étiquette | Etikett | 1 led dashboard version |
| 3 | 125420018/0 | 1 | Label | Etichetta | Étiquette | Etikett | use only on model NJ-NJR-NJB |
| 4 | 114361438/0 | 1 | Label | Etichetta | Étiquette | Etikett | use only on model NJ-NJR-NJB |
| 5 | 114361439/0 | 1 | Label | Etichetta | Étiquette | Etikett | use only on model NJTP-NJX-NJS-NJU-NJA |
| 6 | 114361452/0 | 1 | Label | Etichetta | Étiquette | Etikett | |
| 7 | 114356699/1 | 2 | Label | Etichetta | Étiquette | Etikett | |
| 10 | 114361441/0 | 1 | Label | Etichetta | Étiquette | Etikett | |
| 11 | 114361553/0 | 1 | Label | Etichetta | Étiquette | Etikett | |
| 12 | 125420020/0 | 1 | Label | Etichetta | Étiquette | Etikett | 6 led dashboard version |
| 13 | 114364616/0 | 1 | Label | Etichetta | Étiquette | Etikett | use only on model with Honda GXV 390 |



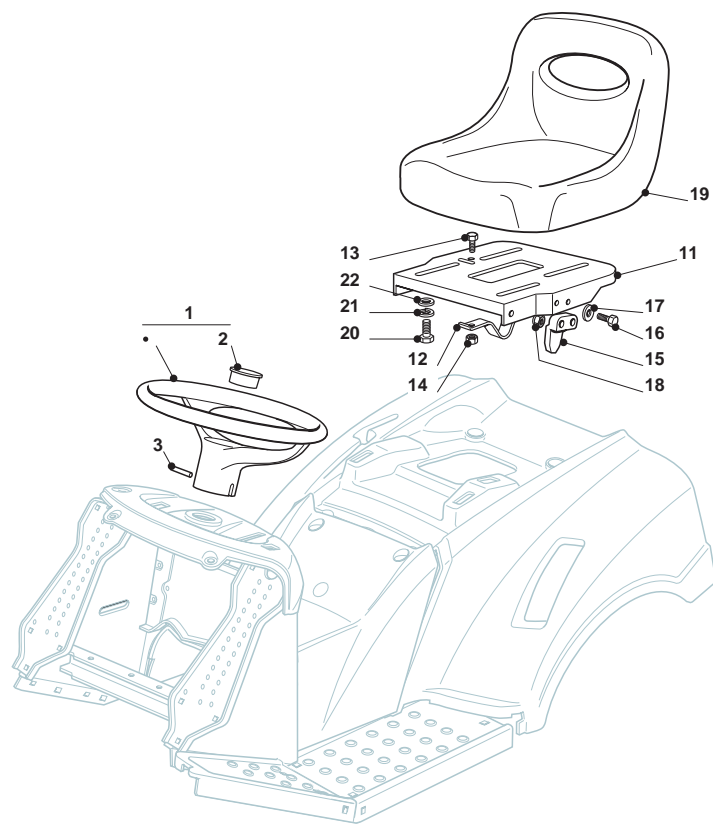
| Tank 5,5 Lt | | | | | | | |
|-------------|-------------|------|-------------|---------------|-----------------------|-------------------|-------|
| POS | CODE | Q.TY | DESCRIPTION | DESCRIZIONE | DESCRIPTION | BESCHREIBUNG | NOTES |
| 1 | 325735128/0 | 1 | Tank | Serbatoio | Réservoir à carburant | Treibstofftank | |
| 2 | 125795000/0 | 1 | Cap | Tappo | Bouchon | Stopfen | |
| 2 | 125795000/1 | 1 | Fuel Cap | Tappo Miscela | Bouhcon Mélange | Deckel Treibstoff | |
| 3 | 112815210/0 | 2 | Screw | Vite | Vis | Schraube | |
| 4 | 325160039/0 | 2 | Spacer | Distanziale | Entretoise | Distanzring | |
| 5 | 112154510/0 | 2 | Nut | Dado | Ecrou | Mutter | |
| 11 | 325207176/0 | 1 | Basin | Vaschetta | Cuvette | Wanne | |



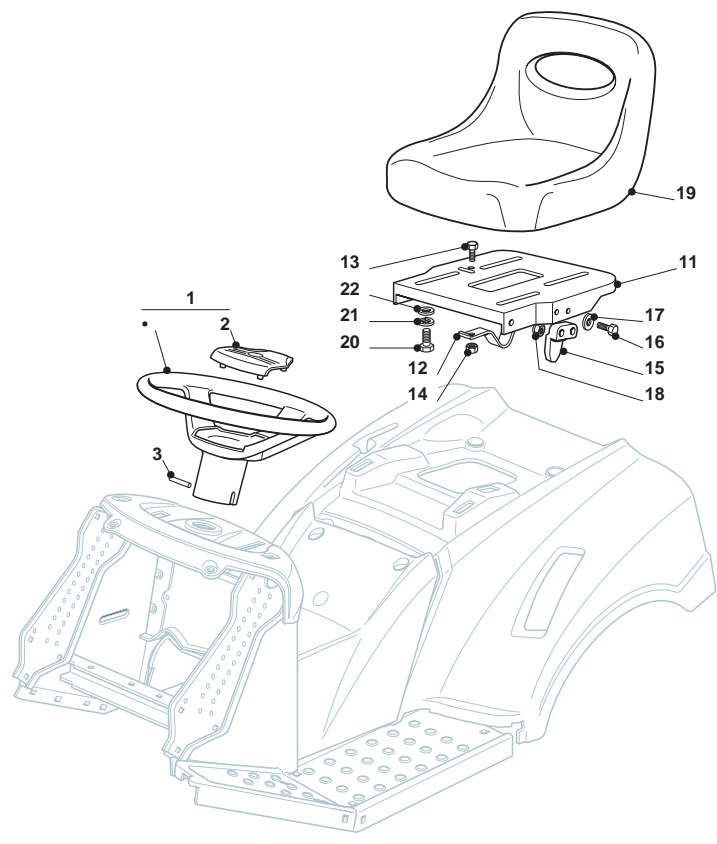
| Tank 4,5 Lt | | | | | | | |
|-------------|-------------|------|-------------|---------------|-----------------------|-------------------|-------|
| POS | CODE | Q.TY | DESCRIPTION | DESCRIZIONE | DESCRIPTION | BESCHREIBUNG | NOTES |
| 1 | 325735124/0 | 1 | Tank | Serbatoio | Réservoir à carburant | Treibstofftank | |
| 2 | 12579500#/1 | # | 8uel Cap | Fappo Miscela | 4ouhcon Mélange | 6eckel Treibstoff | |
| 3 | 325785291/0 | 1 | Support | Supporto | Support | Halter | |
| 4 | 112789195/0 | 1 | Screw | Vite | Vis | Schraube | |
| 5 | 112581500/0 | 1 | Grower | Grower | Grower | Federring | |
| 6 | 112437503/0 | 1 | Plate | Piastra | Plaque | Platte | |
| 7 | 325785289/0 | 1 | Support | Supporto | Support | Halter | |
| 8 | 112735403/0 | 4 | Screw | Vite | Vis | Schraube | |
| 11 | 325207176/0 | 1 | Basin | Vaschetta | Cuvette | Wanne | |



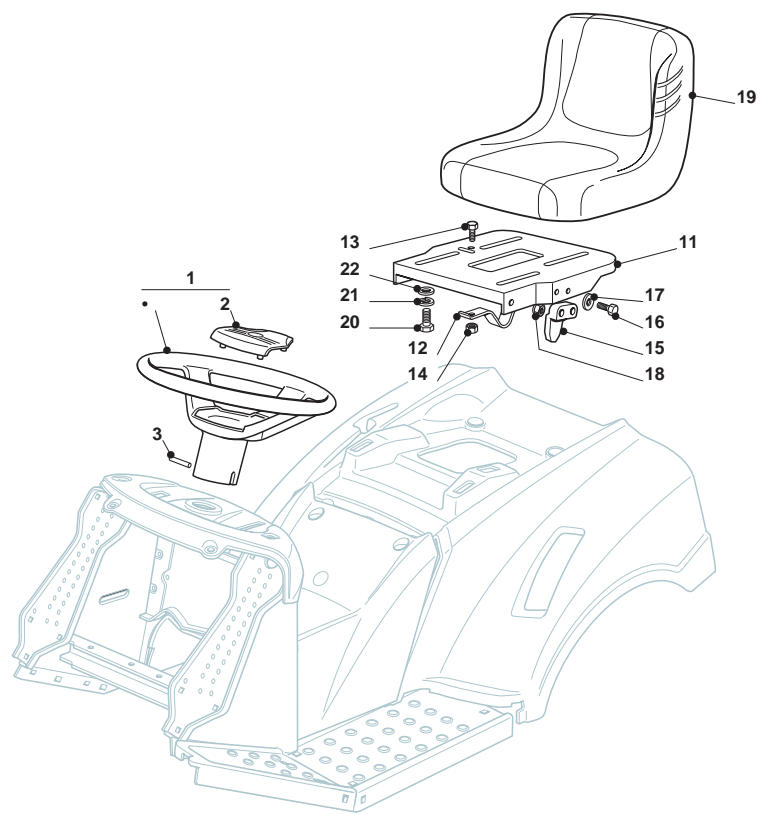
| Seat & Steering Wheel | | | | | | | |
|-----------------------|-------------|------|----------------------|--------------------|---------------------|------------------------|-------|
| POS | CODE | Q.TY | DESCRIPTION | DESCRIZIONE | DESCRIPTION | BESCHREIBUNG | NOTES |
| 1 | 125961201/0 | 1 | Steering Wheel | Volante | Volant | Lenkrad | |
| 2 | 325120230/0 | 1 | Cover | Coperchio Membrana | Couvercle Membrane | Deckel Membran | |
| 3 | 112620299/0 | 1 | Elastic Pin | Spina Elastica | Goupille Élastique | Elastischer Stift | |
| 11 | 325547033/1 | 1 | Seat Plate | Piastra Sedile | Plaque Siege | Sitz Plättchen | |
| 12 | 125430223/2 | 1 | Spring | Molla | Ressort | Feder | |
| 13 | 112789000/0 | 1 | Screw | Vite | Vis | Schraube | |
| 14 | 112154330/0 | 1 | Low Self-Locking Nut | Dado Autobloccante | Écrou auto-bloquant | Selbstsichernde Mutter | |
| 15 | 327063021/1 | 1 | Cam | Camma | Came | Nocken | |
| 16 | 112789100/0 | 2 | Screw | Vite | Vis | Schraube | |
| 17 | 112523020/0 | 2 | Washer | Rosetta | Rondelle | Scheibe | |
| 18 | 112154330/0 | 2 | Low Self-Locking Nut | Dado Autobloccante | Écrou auto-bloquant | Selbstsichernde Mutter | |
| 19 | 125722453/1 | 1 | Seat | Sedile | Siege | Sitz | |
| 20 | 112793101/0 | 4 | Screw | Vite | Vis | Schraube | |
| 21 | 112583500/0 | 4 | Grower | Grower | Grower | Federring | |
| 22 | 112523060/0 | 4 | Washer | Rosetta | Rondelle | Scheibe | |



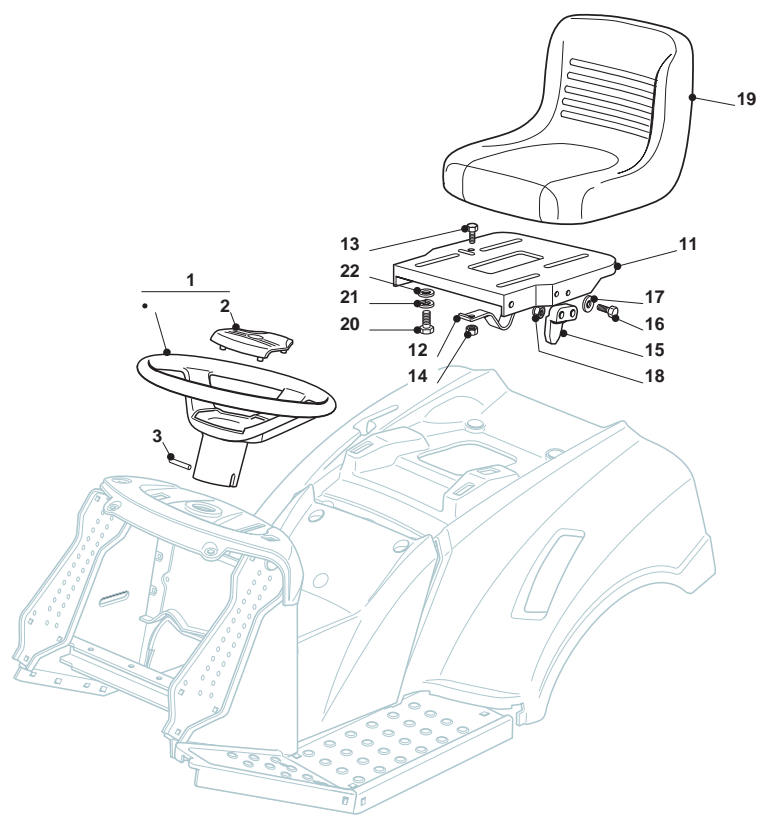
| Seat & Steering Wheel | | | | | | | |
|-----------------------|-------------|------|----------------------|--------------------|---------------------|------------------------|-------|
| POS | CODE | Q.TY | DESCRIPTION | DESCRIZIONE | DESCRIPTION | BESCHREIBUNG | NOTES |
| 1 | 125961201/0 | 1 | Steering Wheel | Volante | Volant | Lenkrad | |
| 2 | 325120230/0 | 1 | Cover | Coperchio Membrana | Couvercle Membrane | Deckel Membran | |
| 3 | 112620299/0 | 1 | Elastic Pin | Spina Elastica | Goupille Élastique | Elastischer Stift | |
| 11 | 325547033/1 | 1 | Seat Plate | Piastra Sedile | Plaque Siege | Sitz Plättchen | |
| 12 | 125430223/2 | 1 | Spring | Molla | Ressort | Feder | |
| 13 | 112789000/0 | 1 | Screw | Vite | Vis | Schraube | |
| 14 | 112154330/0 | 1 | Low Self-Locking Nut | Dado Autobloccante | Écrou auto-bloquant | Selbstsichernde Mutter | |
| 15 | 327063021/1 | 1 | Cam | Camma | Came | Nocken | |
| 16 | 112789100/0 | 2 | Screw | Vite | Vis | Schraube | |
| 17 | 112523020/0 | 2 | Washer | Rosetta | Rondelle | Scheibe | |
| 18 | 112154330/0 | 2 | Low Self-Locking Nut | Dado Autobloccante | Écrou auto-bloquant | Selbstsichernde Mutter | |
| 19 | 125722470/0 | 1 | Seat | Sedile | Siege | Sitz | |
| 20 | 112793101/0 | 4 | Screw | Vite | Vis | Schraube | |
| 21 | 112583500/0 | 4 | Grower | Grower | Grower | Federring | |
| 22 | 112523060/0 | 4 | Washer | Rosetta | Rondelle | Scheibe | |



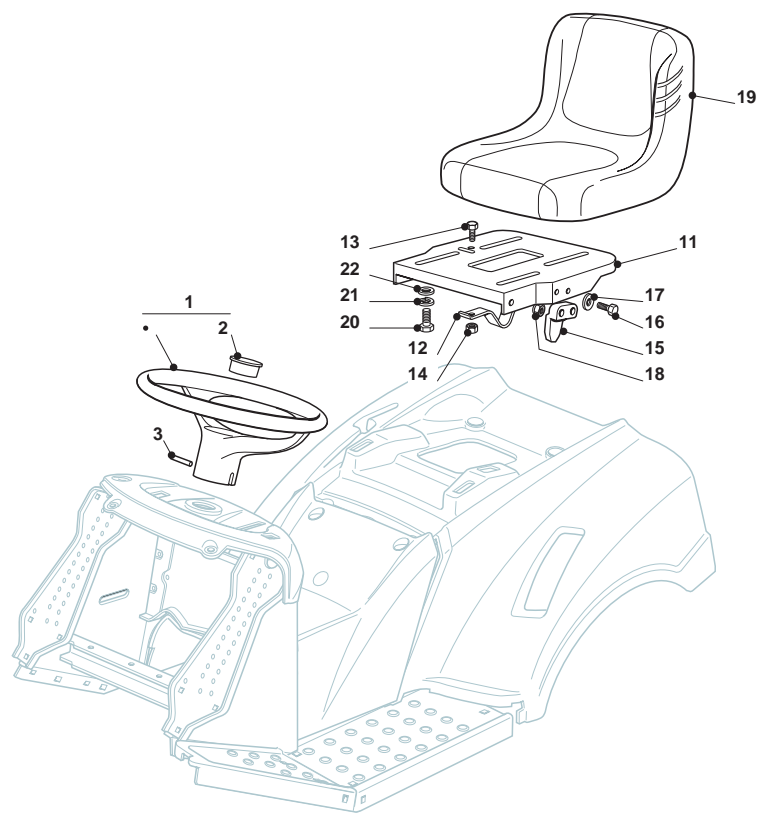
| Seat & Steering Wheel | | | | | | | |
|-----------------------|-------------|------|----------------------|--------------------|---------------------|------------------------|-------|
| POS | CODE | Q.TY | DESCRIPTION | DESCRIZIONE | DESCRIPTION | BESCHREIBUNG | NOTES |
| 1 | 125961212/0 | 1 | Steering Wheel | Volante | Volant | Lenkrad | Grey |
| 1 | 125961216/0 | 1 | Steering Wheel | Volante | Volant | Lenkrad | Black |
| 2 | 325580500/0 | 1 | Cap | Tappo | Bouchon | Stopfen | |
| 2 | 325580501/0 | 1 | Cap | Tappo | Bouchon | Stopfen | |
| 3 | 112620299/0 | 1 | Elastic Pin | Spina Elastica | Goupille Élastique | Elastischer Stift | |
| 11 | 325547033/1 | 1 | Seat Plate | Piastra Sedile | Plaque Siege | Sitz Plättchen | |
| 12 | 125430223/2 | 1 | Spring | Molla | Ressort | Feder | |
| 13 | 112789000/0 | 1 | Screw | Vite | Vis | Schraube | |
| 14 | 112154330/0 | 1 | Low Self-Locking Nut | Dado Autobloccante | Écrou auto-bloquant | Selbstsichernde Mutter | |
| 15 | 327063021/1 | 1 | Cam | Camma | Came | Nocken | |
| 16 | 112789100/0 | 2 | Screw | Vite | Vis | Schraube | |
| 17 | 112523020/0 | 2 | Washer | Rosetta | Rondelle | Scheibe | |
| 18 | 112154330/0 | 2 | Low Self-Locking Nut | Dado Autobloccante | Écrou auto-bloquant | Selbstsichernde Mutter | |
| 19 | 125722463/0 | 1 | Seat | Sedile | Siege | Sitz | |
| 20 | 112793101/0 | 4 | Screw | Vite | Vis | Schraube | |
| 21 | 112583500/0 | 4 | Grower | Grower | Grower | Federring | |
| 22 | 112523060/0 | 4 | Washer | Rosetta | Rondelle | Scheibe | |



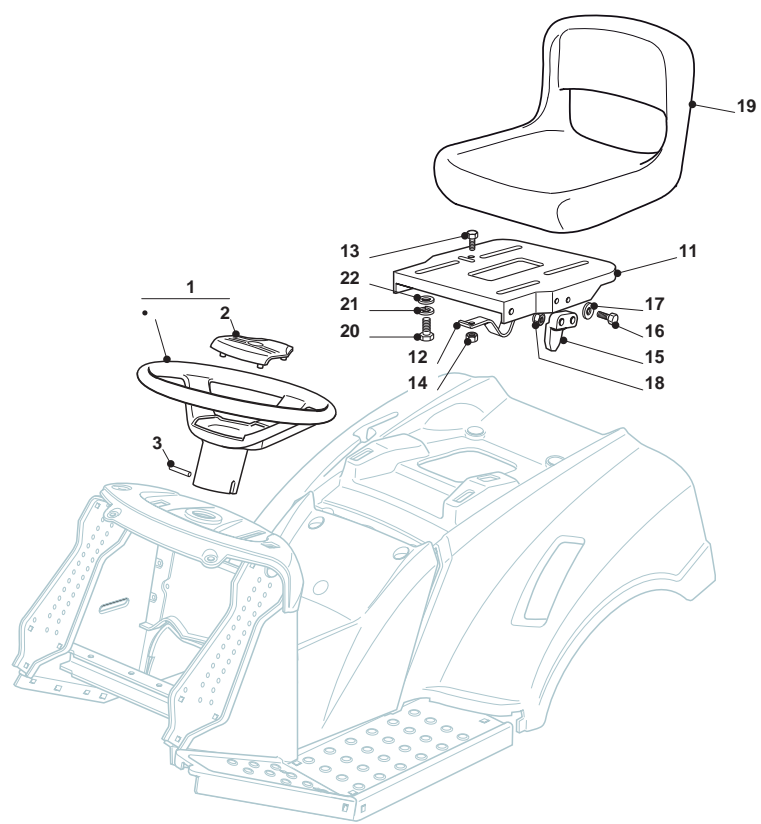
| Seat & Steering Wheel | | | | | | | |
|-----------------------|-------------|------|----------------------|--------------------|---------------------|------------------------|-------|
| POS | CODE | Q.TY | DESCRIPTION | DESCRIZIONE | DESCRIPTION | BESCHREIBUNG | NOTES |
| 1 | 125961212/0 | 1 | Steering Wheel | Volante | Volant | Lenkrad | |
| 2 | 325580500/0 | 1 | Cap | Tappo | Bouchon | Stopfen | |
| 3 | 112620299/0 | 1 | Elastic Pin | Spina Elastica | Goupille Élastique | Elastischer Stift | |
| 11 | 325547033/1 | 1 | Seat Plate | Piastra Sedile | Plaque Siege | Sitz Plättchen | |
| 12 | 125430223/2 | 1 | Spring | Molla | Ressort | Feder | |
| 13 | 112789000/0 | 1 | Screw | Vite | Vis | Schraube | |
| 14 | 112154330/0 | 1 | Low Self-Locking Nut | Dado Autobloccante | Écrou auto-bloquant | Selbstsichernde Mutter | |
| 15 | 327063021/1 | 1 | Cam | Camma | Came | Nocken | |
| 16 | 112789100/0 | 2 | Screw | Vite | Vis | Schraube | |
| 17 | 112523020/0 | 2 | Washer | Rosetta | Rondelle | Scheibe | |
| 18 | 112154330/0 | 2 | Low Self-Locking Nut | Dado Autobloccante | Écrou auto-bloquant | Selbstsichernde Mutter | |
| 19 | 125722453/1 | 1 | Seat | Sedile | Siege | Sitz | |
| 20 | 112793101/0 | 4 | Screw | Vite | Vis | Schraube | |
| 21 | 112583500/0 | 4 | Grower | Grower | Grower | Federring | |
| 22 | 112523060/0 | 4 | Washer | Rosetta | Rondelle | Scheibe | |



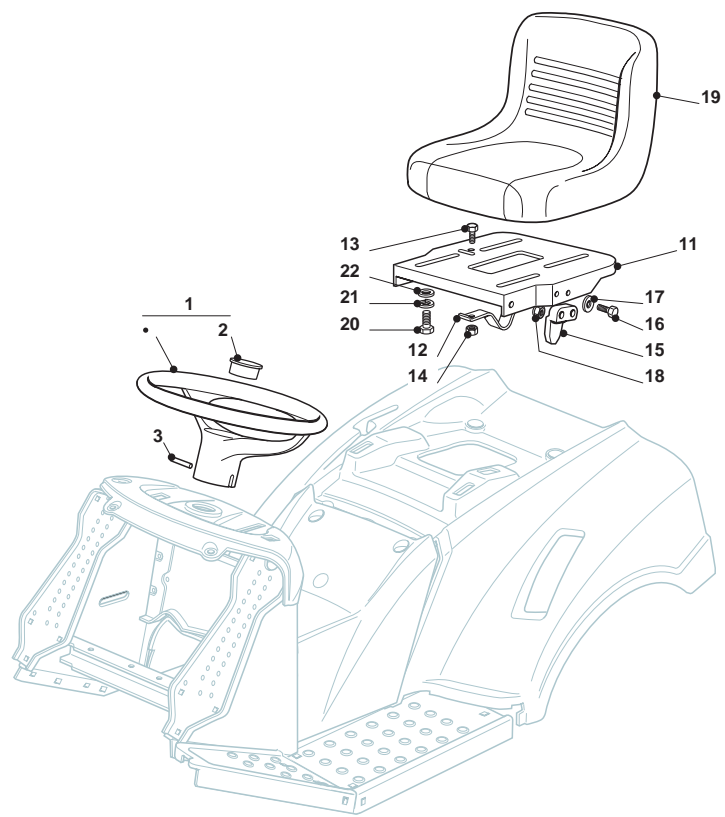
| Seat & Steering Wheel | | | | | | | |
|-----------------------|-------------|------|----------------------|--------------------|---------------------|------------------------|-------|
| POS | CODE | Q.TY | DESCRIPTION | DESCRIZIONE | DESCRIPTION | BESCHREIBUNG | NOTES |
| 1 | 125961201/0 | 1 | Steering Wheel | Volante | Volant | Lenkrad | |
| 2 | 325120230/0 | 1 | Cover | Coperchio Membrana | Couvercle Membrane | Deckel Membran | |
| 3 | 112620299/0 | 1 | Elastic Pin | Spina Elastica | Goupille Élastique | Elastischer Stift | |
| 11 | 325547033/1 | 1 | Seat Plate | Piastra Sedile | Plaque Siege | Sitz Plättchen | |
| 12 | 125430223/2 | 1 | Spring | Molla | Ressort | Feder | |
| 13 | 112789000/0 | 1 | Screw | Vite | Vis | Schraube | |
| 14 | 112154330/0 | 1 | Low Self-Locking Nut | Dado Autobloccante | Écrou auto-bloquant | Selbstsichernde Mutter | |
| 15 | 327063021/1 | 1 | Cam | Camma | Came | Nocken | |
| 16 | 112789100/0 | 2 | Screw | Vite | Vis | Schraube | |
| 17 | 112523020/0 | 2 | Washer | Rosetta | Rondelle | Scheibe | |
| 18 | 112154330/0 | 2 | Low Self-Locking Nut | Dado Autobloccante | Écrou auto-bloquant | Selbstsichernde Mutter | |
| 19 | 125722463/0 | 1 | Seat | Sedile | Siege | Sitz | |
| 20 | 112793101/0 | 4 | Screw | Vite | Vis | Schraube | |
| 21 | 112583500/0 | 4 | Grower | Grower | Grower | Federring | |
| 22 | 112523060/0 | 4 | Washer | Rosetta | Rondelle | Scheibe | |



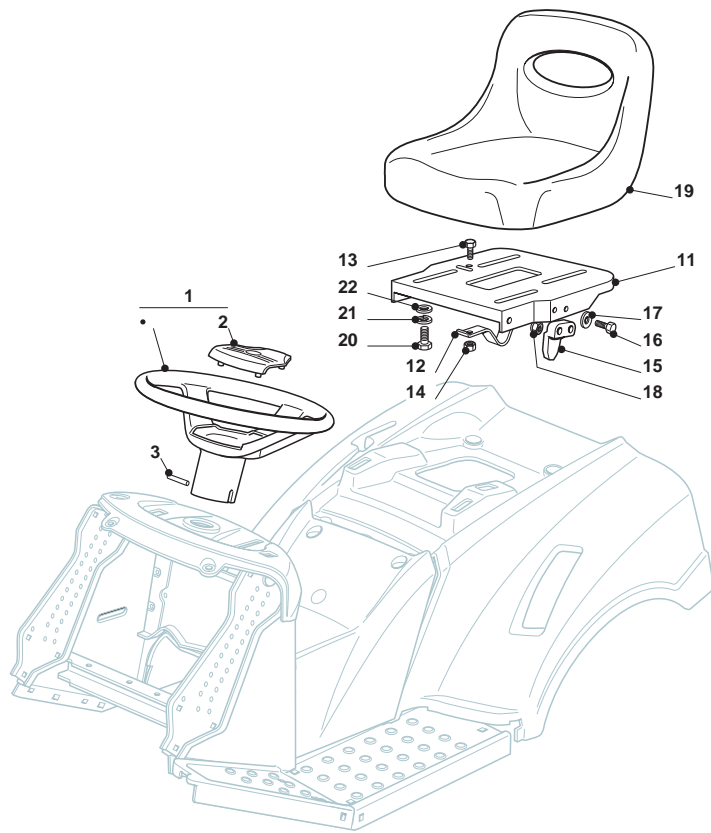
| Seat & Steering Wheel | | | | | | | |
|-----------------------|-------------|------|----------------------|--------------------|---------------------|------------------------|-------|
| POS | CODE | Q.TY | DESCRIPTION | DESCRIZIONE | DESCRIPTION | BESCHREIBUNG | NOTES |
| 1 | 125961216/0 | 1 | Steering Wheel | Volante | Volant | Lenkrad | |
| 2 | 325580501/0 | 1 | Cap | Tappo | Bouchon | Stopfen | |
| 3 | 112620299/0 | 1 | Elastic Pin | Spina Elastica | Goupille Élastique | Elastischer Stift | |
| 11 | 325547033/1 | 1 | Seat Plate | Piastra Sedile | Plaque Siege | Sitz Plättchen | |
| 12 | 125430223/2 | 1 | Spring | Molla | Ressort | Feder | |
| 13 | 112789000/0 | 1 | Screw | Vite | Vis | Schraube | |
| 14 | 112154330/0 | 1 | Low Self-Locking Nut | Dado Autobloccante | Écrou auto-bloquant | Selbstsichernde Mutter | |
| 15 | 327063021/1 | 1 | Cam | Camma | Came | Nocken | |
| 16 | 112789100/0 | 2 | Screw | Vite | Vis | Schraube | |
| 17 | 112523020/0 | 2 | Washer | Rosetta | Rondelle | Scheibe | |
| 18 | 112154330/0 | 2 | Low Self-Locking Nut | Dado Autobloccante | Écrou auto-bloquant | Selbstsichernde Mutter | |
| 19 | 125722471/0 | 1 | Seat | Sedile | Siege | Sitz | |
| 20 | 112793101/0 | 4 | Screw | Vite | Vis | Schraube | |
| 21 | 112583500/0 | 4 | Grower | Grower | Grower | Federring | |
| 22 | 112523060/0 | 4 | Washer | Rosetta | Rondelle | Scheibe | |



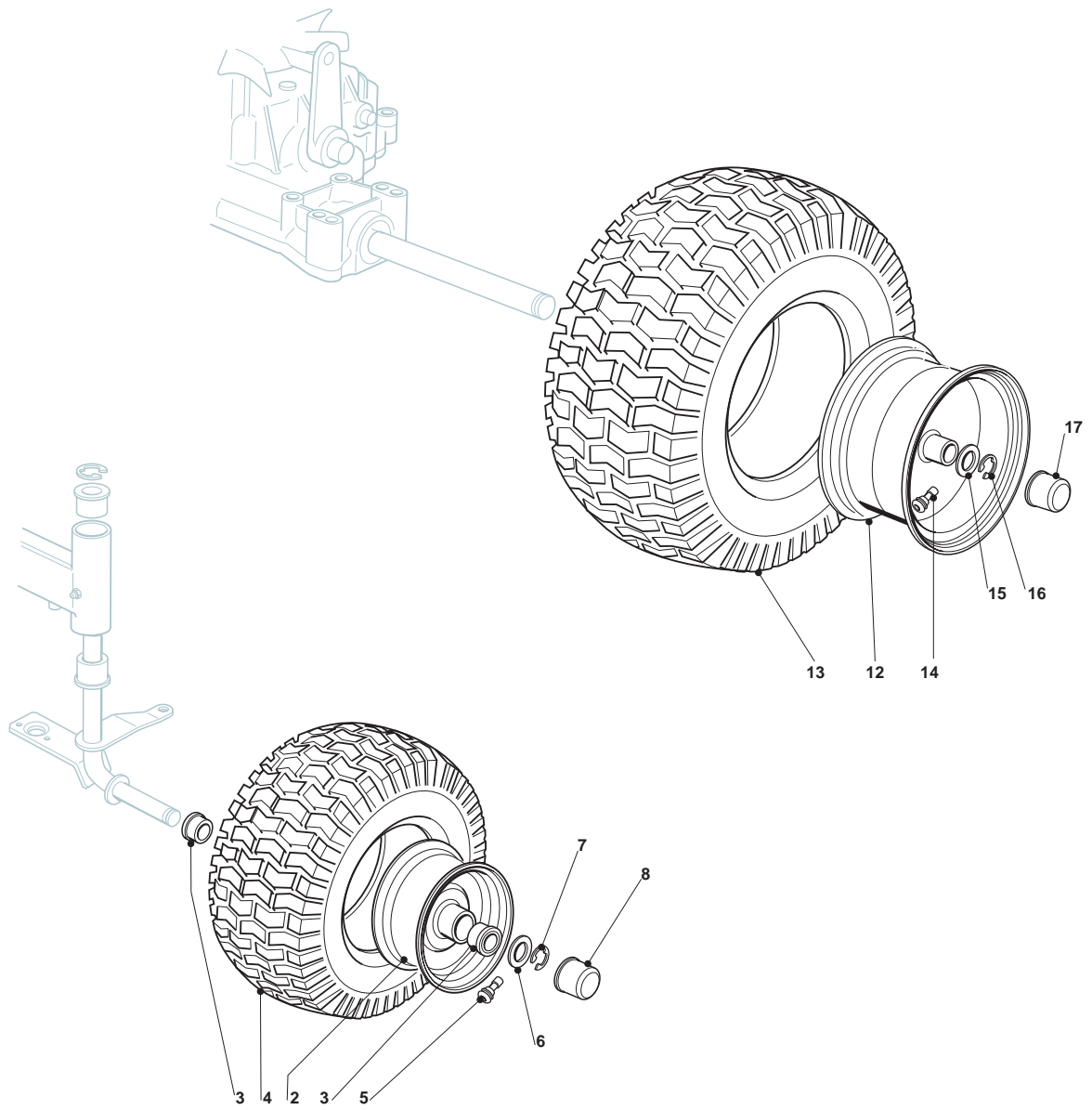
| Seat & Steering Wheel | | | | | | | |
|-----------------------|-------------|------|----------------------|--------------------|---------------------|------------------------|-------|
| POS | CODE | Q.TY | DESCRIPTION | DESCRIZIONE | DESCRIPTION | BESCHREIBUNG | NOTES |
| 1 | 125961201/0 | 1 | Steering Wheel | Volante | Volant | Lenkrad | |
| 2 | 325120230/0 | 1 | Cover | Coperchio Membrana | Couvercle Membrane | Deckel Membran | |
| 3 | 112620299/0 | 1 | Elastic Pin | Spina Elastica | Goupille Élastique | Elastischer Stift | |
| 11 | 325547033/1 | 1 | Seat Plate | Piastra Sedile | Plaque Siege | Sitz Plättchen | |
| 12 | 125430223/2 | 1 | Spring | Molla | Ressort | Feder | |
| 13 | 112789000/0 | 1 | Screw | Vite | Vis | Schraube | |
| 14 | 112154330/0 | 1 | Low Self-Locking Nut | Dado Autobloccante | Écrou auto-bloquant | Selbstsichernde Mutter | |
| 15 | 327063021/1 | 1 | Cam | Camma | Came | Nocken | |
| 16 | 112789100/0 | 2 | Screw | Vite | Vis | Schraube | |
| 17 | 112523020/0 | 2 | Washer | Rosetta | Rondelle | Scheibe | |
| 18 | 112154330/0 | 2 | Low Self-Locking Nut | Dado Autobloccante | Écrou auto-bloquant | Selbstsichernde Mutter | |
| 19 | 125722471/0 | 1 | Seat | Sedile | Siege | Sitz | |
| 20 | 112793101/0 | 4 | Screw | Vite | Vis | Schraube | |
| 21 | 112583500/0 | 4 | Grower | Grower | Grower | Federring | |
| 22 | 112523060/0 | 4 | Washer | Rosetta | Rondelle | Scheibe | |



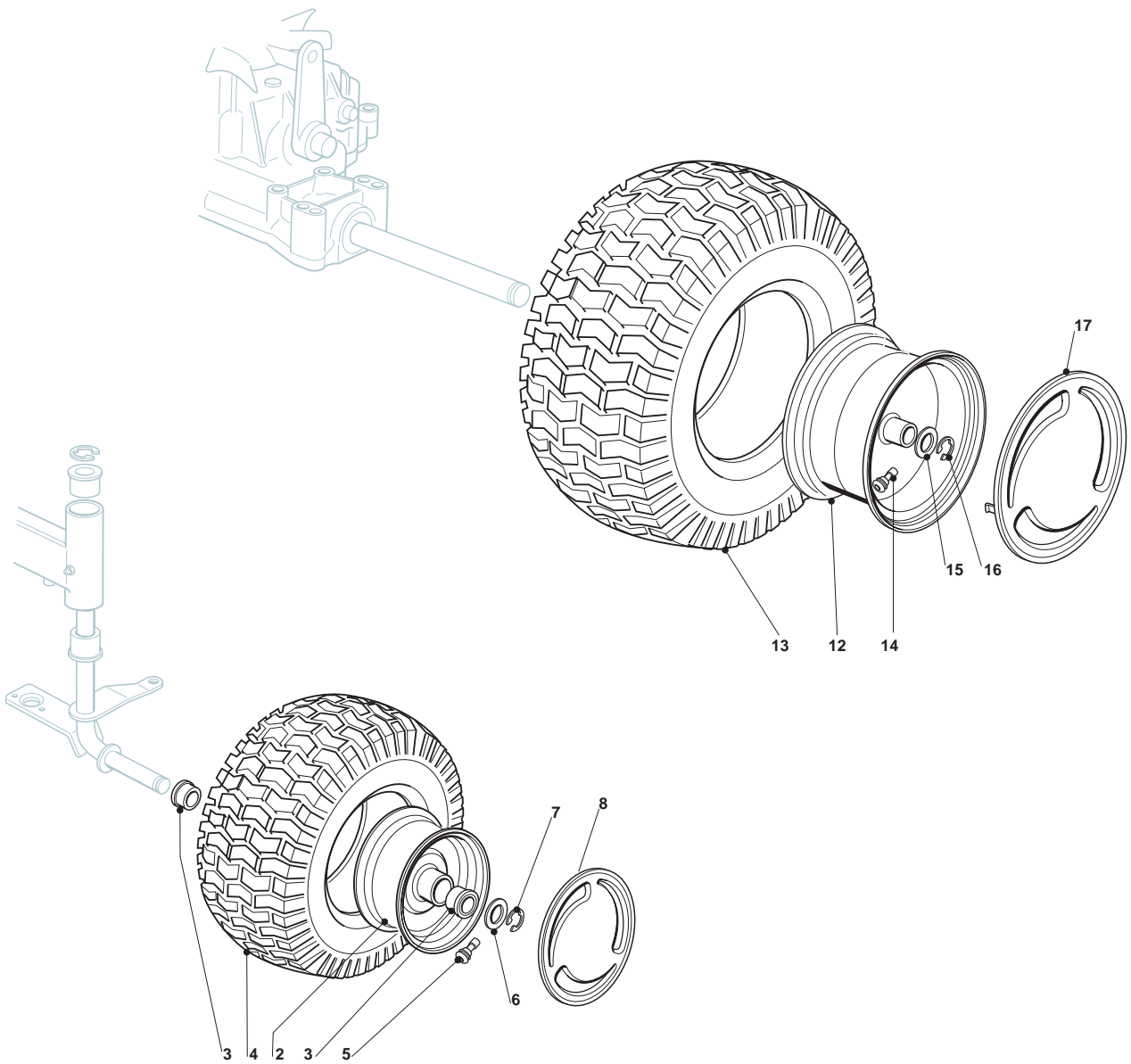
| Seat & Steering Wheel | | | | | | | |
|-----------------------|-------------|------|----------------------|--------------------|---------------------|------------------------|-------|
| POS | CODE | Q.TY | DESCRIPTION | DESCRIZIONE | DESCRIPTION | BESCHREIBUNG | NOTES |
| 1 | 125961209/0 | 1 | Steering Wheel | Volante | Volant | Lenkrad | |
| 2 | 325580501/0 | 1 | Cap | Tappo | Bouchon | Stopfen | |
| 3 | 112620299/0 | 1 | Elastic Pin | Spina Elastica | Goupille Élastique | Elastischer Stift | |
| 11 | 325547033/1 | 1 | Seat Plate | Piastra Sedile | Plaque Siege | Sitz Plättchen | |
| 12 | 125430223/2 | 1 | Spring | Molla | Ressort | Feder | |
| 13 | 112789000/0 | 1 | Screw | Vite | Vis | Schraube | |
| 14 | 112154330/0 | 1 | Low Self-Locking Nut | Dado Autobloccante | Écrou auto-bloquant | Selbstsichernde Mutter | |
| 15 | 327063021/1 | 1 | Cam | Camma | Came | Nocken | |
| 16 | 112789100/0 | 2 | Screw | Vite | Vis | Schraube | |
| 17 | 112523020/0 | 2 | Washer | Rosetta | Rondelle | Scheibe | |
| 18 | 112154330/0 | 2 | Low Self-Locking Nut | Dado Autobloccante | Écrou auto-bloquant | Selbstsichernde Mutter | |
| 19 | 125722456/0 | 1 | Seat | Sedile | Siege | Sitz | |
| 20 | 112793101/0 | 4 | Screw | Vite | Vis | Schraube | |
| 21 | 112583500/0 | 4 | Grower | Grower | Grower | Federring | |
| 22 | 112523060/0 | 4 | Washer | Rosetta | Rondelle | Scheibe | |



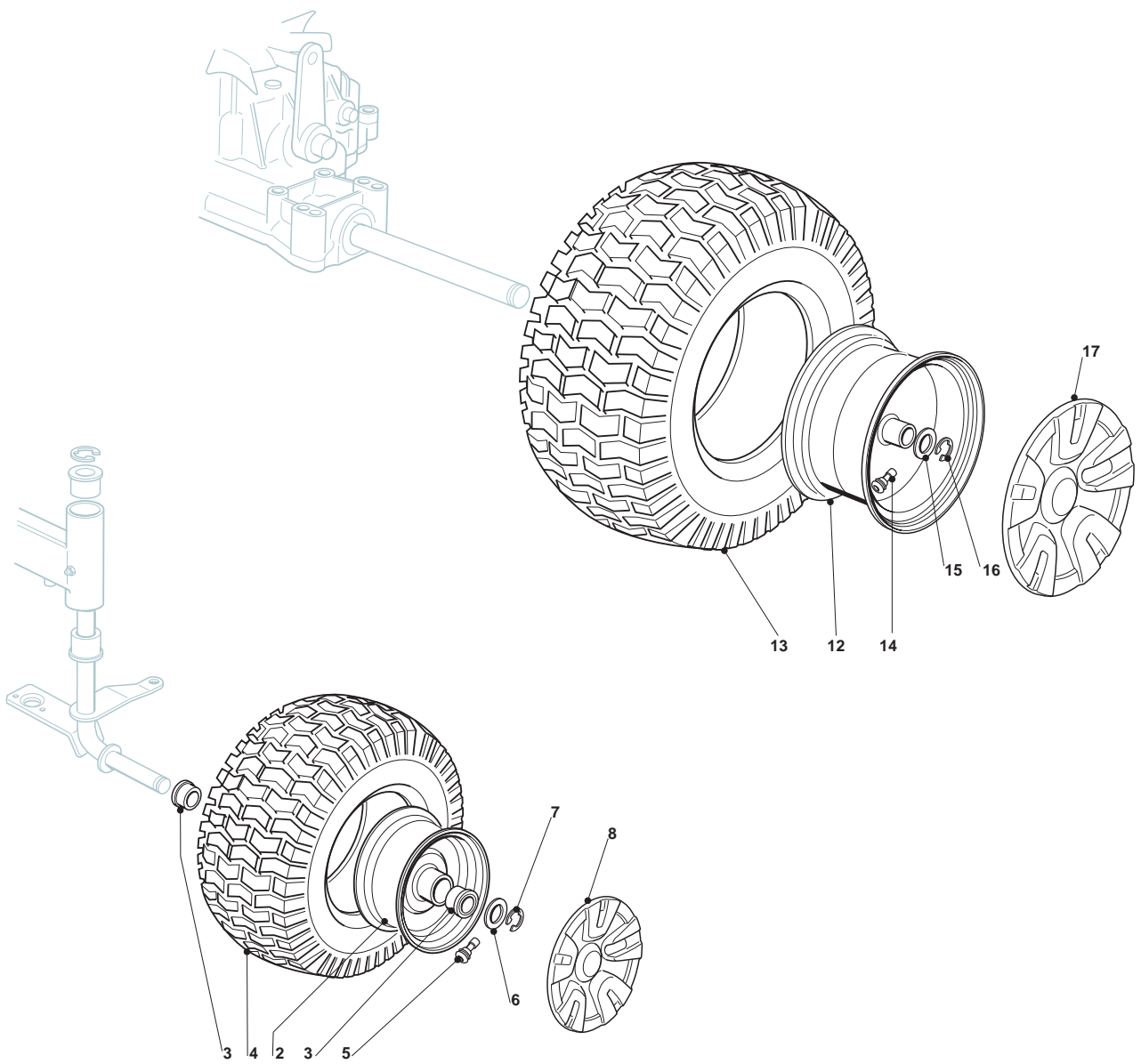
| Seat & Steering Wheel | | | | | | | |
|-----------------------|-------------|------|----------------------|--------------------|---------------------|------------------------|-------|
| POS | CODE | Q.TY | DESCRIPTION | DESCRIZIONE | DESCRIPTION | BESCHREIBUNG | NOTES |
| 1 | 125961216/0 | 1 | Steering Wheel | Volante | Volant | Lenkrad | |
| 2 | 325580501/0 | 1 | Cap | Tappo | Bouchon | Stopfen | |
| 3 | 112620299/0 | 1 | Elastic Pin | Spina Elastica | Goupille Élastique | Elastischer Stift | |
| 11 | 325547033/1 | 1 | Seat Plate | Piastra Sedile | Plaque Siege | Sitz Plättchen | |
| 12 | 125430223/2 | 1 | Spring | Molla | Ressort | Feder | |
| 13 | 112789000/0 | 1 | Screw | Vite | Vis | Schraube | |
| 14 | 112154330/0 | 1 | Low Self-Locking Nut | Dado Autobloccante | Écrou auto-bloquant | Selbstsichernde Mutter | |
| 15 | 327063021/1 | 1 | Cam | Camma | Came | Nocken | |
| 16 | 112789100/0 | 2 | Screw | Vite | Vis | Schraube | |
| 17 | 112523020/0 | 2 | Washer | Rosetta | Rondelle | Scheibe | |
| 18 | 112154330/0 | 2 | Low Self-Locking Nut | Dado Autobloccante | Écrou auto-bloquant | Selbstsichernde Mutter | |
| 19 | 125722453/1 | 1 | Seat | Sedile | Siege | Sitz | |
| 20 | 112793101/0 | 4 | Screw | Vite | Vis | Schraube | |
| 21 | 112583500/0 | 4 | Grower | Grower | Grower | Federring | |
| 22 | 112523060/0 | 4 | Washer | Rosetta | Rondelle | Scheibe | |



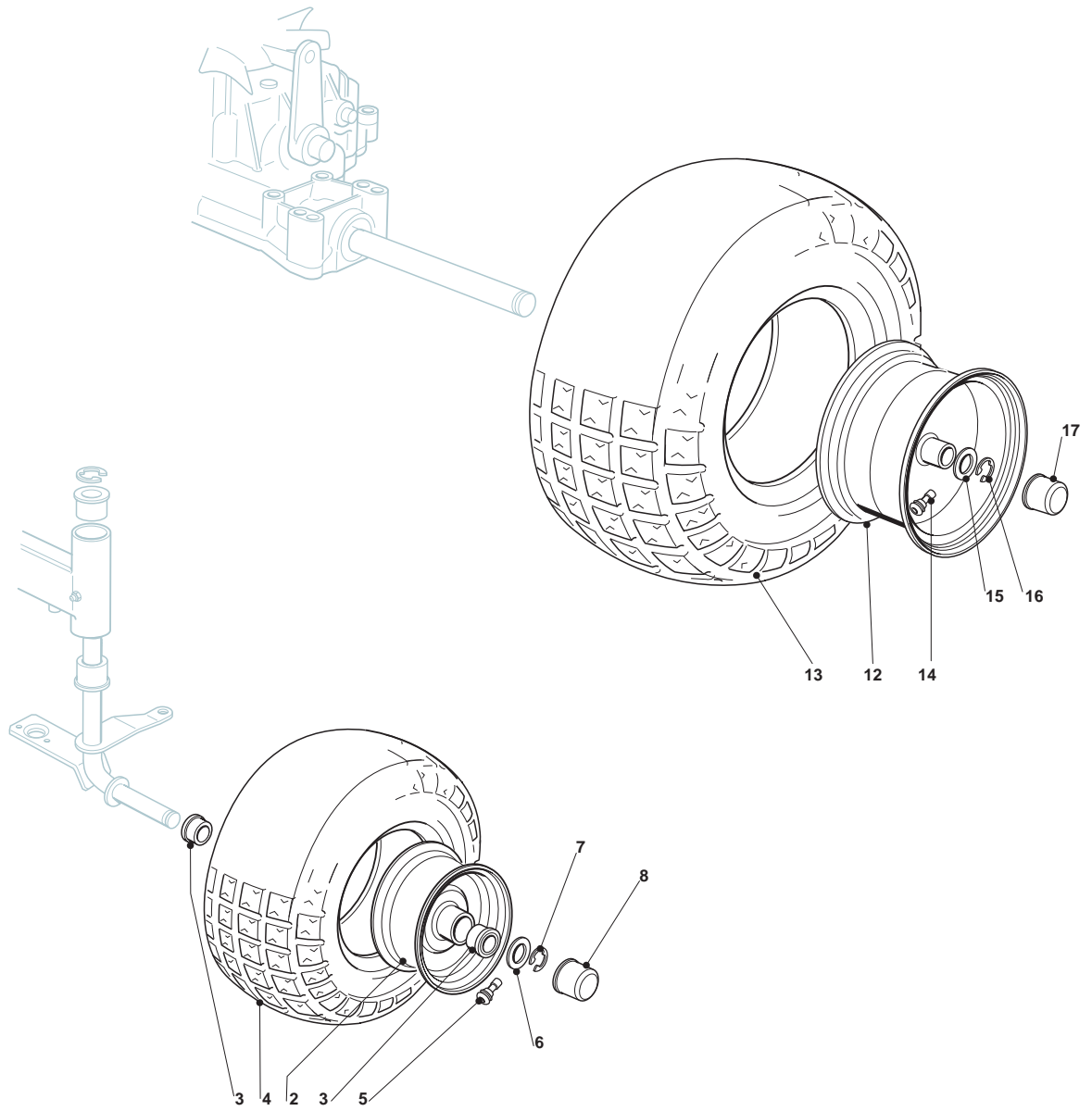
| Wheels | | | | | | | |
|--------|-------------|------|--------------|----------------|----------------|------------------|-------|
| POS | CODE | Q.TY | DESCRIPTION | DESCRIZIONE | DESCRIPTION | BESCHREIBUNG | NOTES |
| 2 | 182000598/0 | 2 | Rimm | Cerchio Ruota | Bandage Roue | Vorderrad Felger | |
| 3 | 125122200/2 | 4 | Bearing | Bearing | Bearing | Bearing | |
| 4 | 125590014/0 | 2 | Tyre | Pneumatico | Pneu | Reifen | 13" |
| 4 | 127590066/0 | 2 | Tyre | Pneumatico | Pneu | Reifen | 15" |
| 5 | 125950000/0 | 2 | Valve | Valve | Valve | Valve | |
| 6 | 125670005/1 | 2 | Washer | Rondella | Rondelle | Scheibe | |
| 7 | 112001000/0 | 2 | Benzing Ring | Anello Benzing | Anneau Benzing | Ring Benzing | |
| 8 | 122110230/0 | 2 | Hub Cover | Coprizzo | Couvre Moyeu | Nabendeckel | |
| 12 | 182000599/0 | 2 | Rimm | Cerchio Ruota | Bandage Roue | Vorderrad Felger | |
| 13 | 125590015/0 | 2 | Tyre | Pneumatico | Pneu | Reifen | |
| 14 | 125950000/0 | 2 | Valve | Valve | Valve | Valve | |
| 15 | 125670005/1 | 2 | Washer | Rondella | Rondelle | Scheibe | |
| 16 | 112001010/0 | 2 | Benzing Ring | Anello Benzing | Anneau Benzing | Ring Benzing | |
| 17 | 122110230/0 | 2 | Hub Cover | Coprizzo | Couvre Moyeu | Nabendeckel | |



| Wheels | | | | | | | |
|--------|-------------|------|-------------------|----------------------------|--------------------------|-------------------|-------|
| POS | CODE | Q.TY | DESCRIPTION | DESCRIZIONE | DESCRIPTION | BESCHREIBUNG | NOTES |
| 2 | 182000598/0 | 2 | Rimm | Cerchio Ruota | Bandage Roue | Vorderrad Felger | |
| 3 | 125122200/2 | 4 | Bearing | Bearing | Bearing | Bearing | |
| 4 | 125590014/0 | 2 | Tyre | Pneumatico | Pneu | Reifen | 13" |
| 4 | 127590066/0 | 2 | Tyre | Pneumatico | Pneu | Reifen | 15" |
| 5 | 125950000/0 | 2 | Valve | Valve | Valve | Valve | |
| 6 | 125670005/1 | 2 | Washer | Rondella | Rondelle | Scheibe | |
| 7 | 112001000/0 | 2 | Benzing Ring | Anello Benzing | Anneau Benzing | Ring Benzing | |
| 8 | 382110252/0 | 2 | Front Wheel Cover | Copridisco Ruota Anteriore | Couvre Disque Roue Avant | Front Wheel Cover | |
| 12 | 182000599/0 | 2 | Rimm | Cerchio Ruota | Bandage Roue | Vorderrad Felger | |
| 13 | 125590015/0 | 2 | Tyre | Pneumatico | Pneu | Reifen | |
| 14 | 125950000/0 | 2 | Valve | Valve | Valve | Valve | |
| 15 | 125670005/1 | 2 | Washer | Rondella | Rondelle | Scheibe | |
| 16 | 112001010/0 | 2 | Benzing Ring | Anello Benzing | Anneau Benzing | Ring Benzing | |
| 17 | 382110253/0 | 2 | Hub Cover | Coprismozzo | Couvre Moyeu | Nabendeckel | |



| Wheels | | | | | | | |
|--------|-------------|------|-----------------|-----------------------|-------------------|------------------|-------|
| POS | CODE | Q.TY | DESCRIPTION | DESCRIZIONE | DESCRIPTION | BESCHREIBUNG | NOTES |
| 2 | 182000598/0 | 2 | Rimm | Cerchio Ruota | Bandage Roue | Vorderrad Felger | |
| 3 | 125122200/2 | 4 | Bearing | Bearing | Bearing | Bearing | |
| 4 | 125590014/0 | 2 | Tyre | Pneumatico | Pneu | Reifen | 13" |
| 4 | 127590066/0 | 2 | Tyre | Pneumatico | Pneu | Reifen | 15" |
| 5 | 125950000/0 | 2 | Valve | Valve | Valve | Valve | |
| 6 | 125670005/1 | 2 | Washer | Rondella | Rondelle | Scheibe | |
| 7 | 112001000/0 | 2 | Benzing Ring | Anello Benzing | Anneau Benzing | Ring Benzing | |
| 8 | 382110274/0 | 2 | Hub Cover | Coprismozzo | Couvre Moyeu | Nabendeckel | |
| 12 | 182000599/0 | 2 | Rimm | Cerchio Ruota | Bandage Roue | Vorderrad Felger | |
| 13 | 125590015/0 | 2 | Tyre | Pneumatico | Pneu | Reifen | |
| 14 | 125950000/0 | 2 | Valve | Valve | Valve | Valve | |
| 15 | 125670005/1 | 2 | Washer | Rondella | Rondelle | Scheibe | |
| 16 | 112001010/0 | 2 | Benzing Ring | Anello Benzing | Anneau Benzing | Ring Benzing | |
| 17 | 382110275/0 | 2 | Rear Wheel Deck | Copriruota Posteriore | Couvre Roue Post. | Hinterraddeckel | |



| Wheels | | | | | | | |
|--------|-------------|------|-----------------|--------------------------|----------------|------------------|-------|
| POS | CODE | Q.TY | DESCRIPTION | DESCRIZIONE | DESCRIPTION | BESCHREIBUNG | NOTES |
| 2 | 182000590/1 | 2 | Rimm | Cerchio Ruota | Bandage Roue | Vorderrad Felger | |
| 3 | 125122200/2 | 4 | Bearing | Bearing | Bearing | Bearing | |
| 4 | 125590020/0 | 2 | Tyre | Pneumatico | Pneu | Reifen | 15" |
| 5 | 125950000/0 | 2 | Valve | Valve | Valve | Valve | |
| 6 | 125670005/1 | 2 | Washer | Rondella | Rondelle | Scheibe | |
| 7 | 112001000/0 | 2 | Benzing Ring | Anello Benzing | Anneau Benzing | Ring Benzing | |
| 8 | 122110230/0 | 2 | Hub Cover | Hub Cover | Hub Cover | Hub Cover | |
| 12 | 182000592/0 | 2 | Rear Wheel Rimm | Cerchio Ruota Posteriore | Bandage Roue | Hinterrad Felger | |
| 13 | 125590022/0 | 2 | Tyre | Pneumatico | Pneu | Reifen | 15" |
| 14 | 125950000/0 | 2 | Valve | Valve | Valve | Valve | |
| 15 | 125670005/1 | 2 | Washer | Rondella | Rondelle | Scheibe | |
| 16 | 112001010/0 | 2 | Benzing Ring | Anello Benzing | Anneau Benzing | Ring Benzing | |
| 17 | 122110230/0 | 2 | Hub Cover | Coprizzo | Couvre Moyeu | Nabedeckel | |