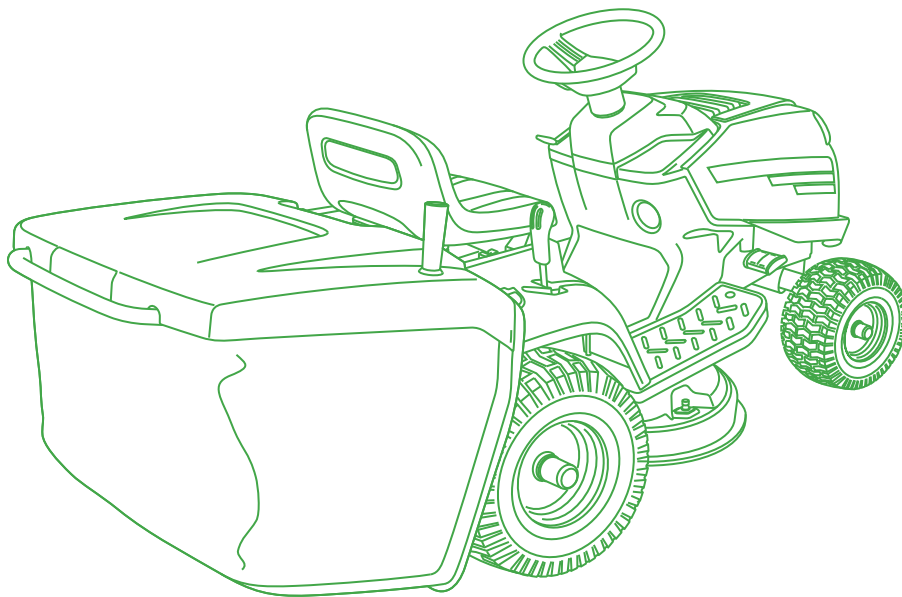


ILLUSTRATED PARTS LIST

MPX 84



- Use GLOBAL GARDEN PRODUCT Genuine Spare Parts specified in the parts list for repair and/or replacement.
- The contents described in the parts list may change due to improvement.
- The drawings of the spare parts are only indicative and might not represent the part in question exactly.
- The indications "right" - "left" - "front" - "rear" refer to the position of the operator when using the machine.
- When placing orders of parts for repair and/or replacement, make sure that the illustrated parts list is the one applying to the machine's year of manufacture, as shown on the identification plate attached to the machine.

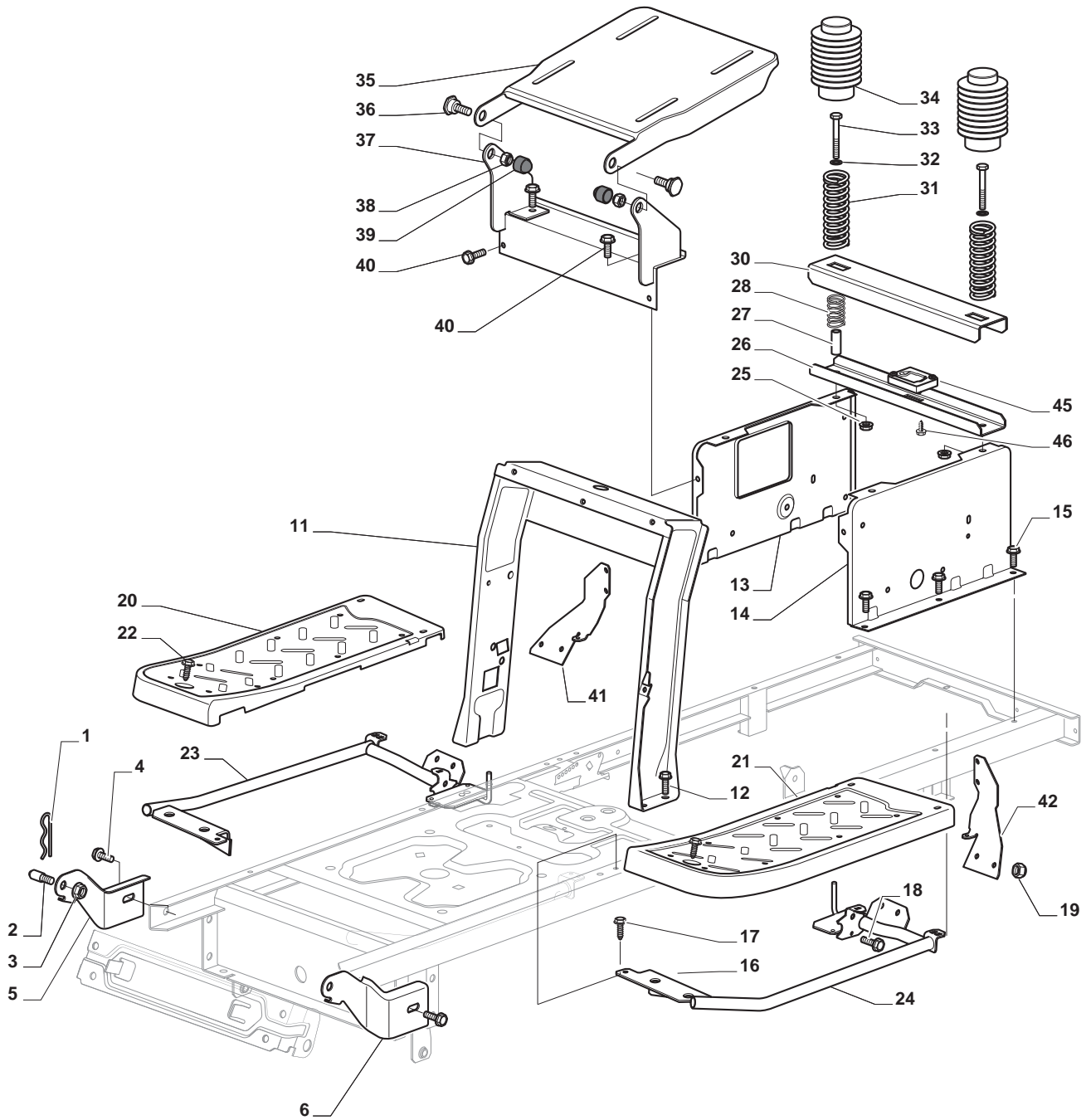
© Copyright 2013 Global Garden Products

All content is subject to copyright by Global Garden Products and may not be reproduced in whole or in part by any means, electronic or otherwise, without prior written approval.

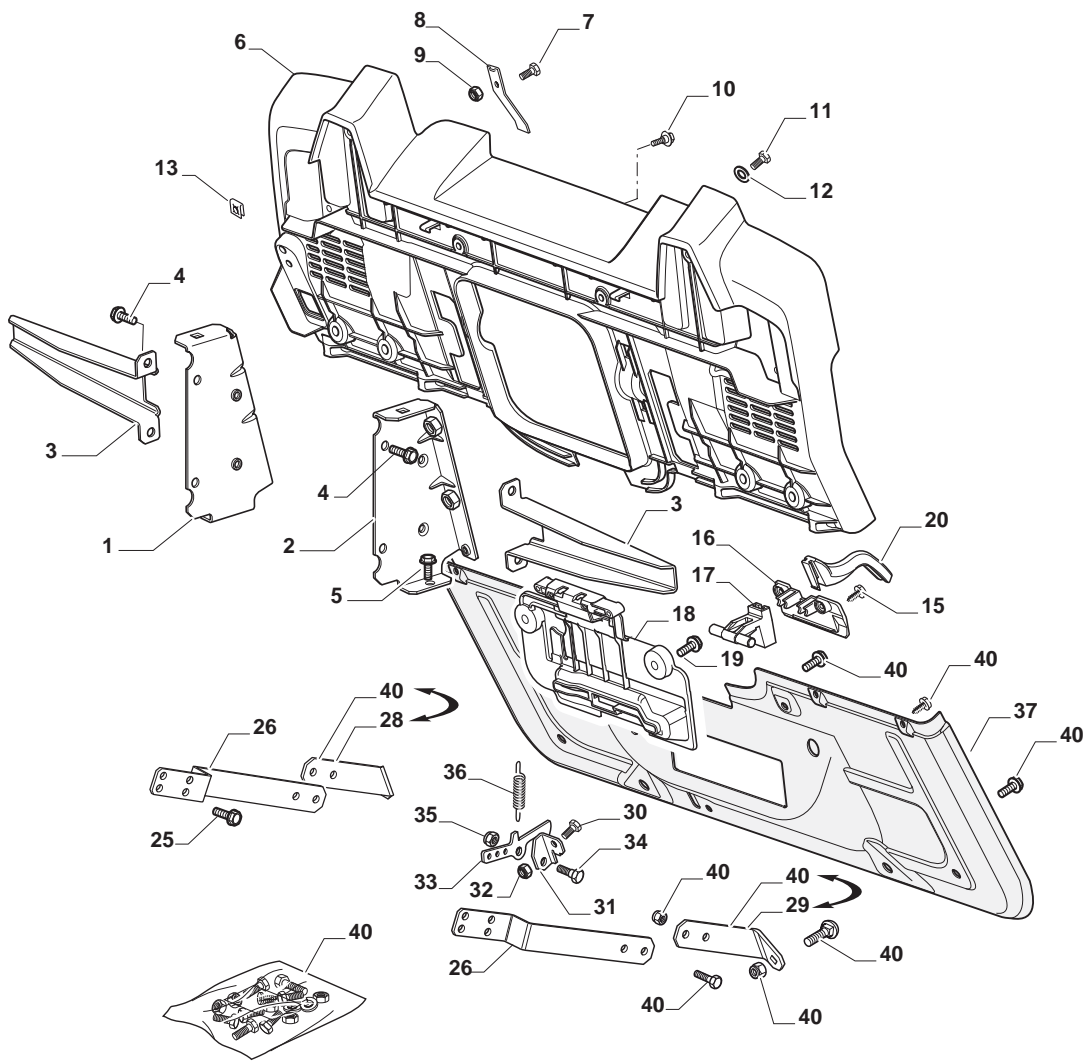
THIS INFORMATION IS NOT INTENDED FOR SALE OR RESALE, AND THIS NOTICE MUST REMAIN ON ALL COPIES.



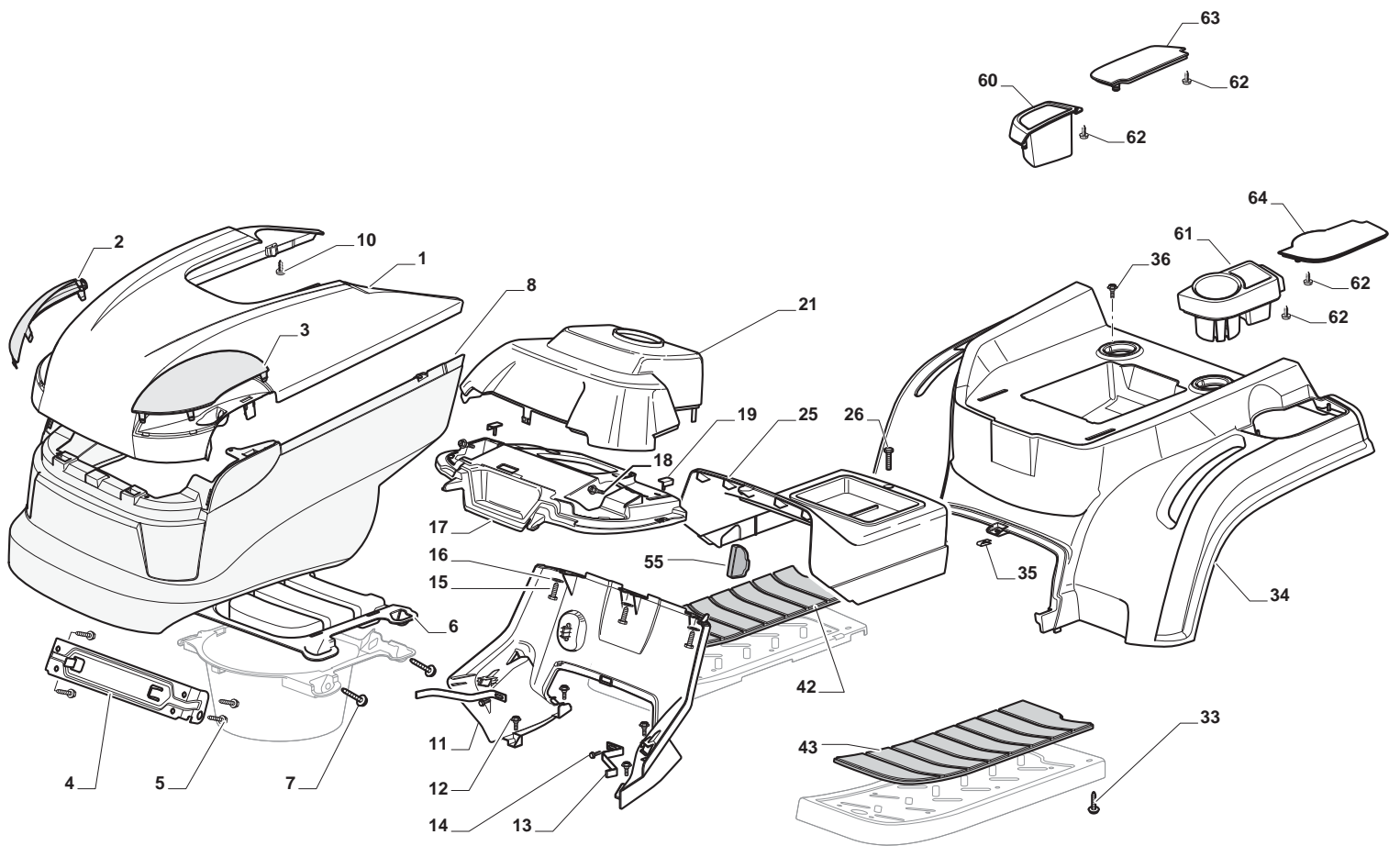
GLOBAL GARDEN PRODUCTS



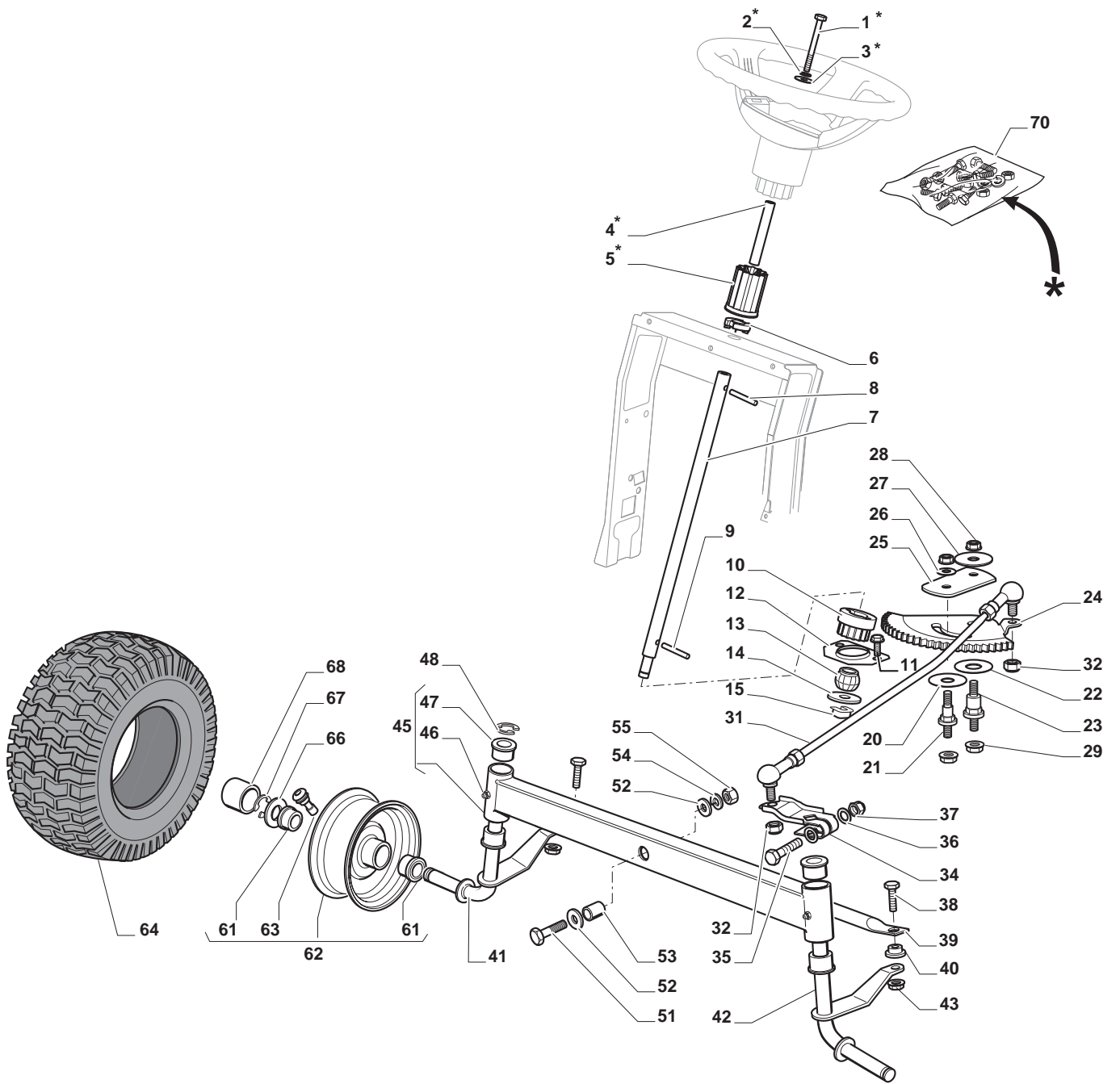
Chassis							
POS	CODE	Q.TY	DESCRIPTION	DESCRIZIONE	DESCRIPTION	BESCHREIBUNG	NOTES
1	124487998/0	1	Cotter Pin	Coppiglia	Goupille	Split	
2	125510079/1	2	Pin	Perno	Pivot	Bolzen	
3	112155000/0	2	Nut	Dado	Ecrou	Mutter	
4	112735599/0	2	Screw	Vite	Vis	Schraube	
5	325547225/0	1	Right Plate	Piastrina Destra	Plaquette Droit	Rechte Plättchen	
6	325547227/0	1	Left Plate	Piastrina Sinistra	Plaquette Gauche	Linke Platte	
11	382785169/1	1	Steering Column Support	Supporto Piantone	Support Tube De Direction	Lenkungsaeulehalter	
12	125943009/0	4	Screw	Vite	Vis	Schraube	
13	325785331/1	1	Right Seat Support	Supporto Sedile Destro	Support Siege Droit	Rechte Sitzhalter	
14	325785333/1	1	Left Seat Support	Supporto Sedile Sinistro	Support Siege Gauche	Linke Sitzhalter	
15	125943009/0	6	Screw	Vite	Vis	Schraube	
16	382785179/0	1	Footboard Support	Supporto Pedana	Support Marchepied	Fussbretthalter	
17	125943009/0	2	Screw	Vite	Vis	Schraube	
18	125943009/0	2	Screw	Vite	Vis	Schraube	
19	112155000/0	10	Nut	Dado	Ecrou	Mutter	
20	325500041/1	1	Right Footboard	Pedana Destra	Marchepied Droit	Rechte Fussbrett	
21	325500043/1	1	Left Footboard	Pedana Sinistra	Marchepied Gauche	Linke Fussbrett	
22	112735599/0	2	Screw	Vite	Vis	Schraube	
23	382785221/0	1	Footboard Support	Supporto Pedana	Support Marchepied	Fussbretthalter	
24	382785223/0	1	Footboard Support	Supporto Pedana	Support Marchepied	Fussbretthalter	
25	112293201/0	2	Nut	Dado	Ecrou	Mutter	
26	325820109/1	1	Seat Support	Supporto Sedile	Support Siege	Sitzhalter	
27	125160048/0	2	Spacer	Distanziale	Entretoise	Distanzring	
28	125430263/0	2	Spring	Molla	Ressort	Feder	
30	325820111/1	1	Support	Supporto	Support	Halter	
31	125430264/0	2	Spring	Molla	Ressort	Feder	
32	112521350/0	2	Washer	Rosetta	Rondelle	Scheibe	
33	112691400/0	2	Screw	Vite	Vis	Schraube	
34	325122002/0	2	Hood	Cuffia	Protecteur	Schutzkasten	
35	382547061/0	1	Plate	Piastra	Plaque	Platte	
36	122524970/2	2	Fulcrum Pin	Perno Fulcro	Point D'Appui	Gelenkpunkt	
37	382820151/0	1	Seat Support	Supporto Sedile	Support Siege	Sitzhalter	
38	112155010/0	2	Self-Locking Nut	Dado Autobloccante	Écrou auto-bloquant	Selbstsichernde Mutter	
39	118203854/0	2	Screw	Vite	Vis	Schraube	
40	125943009/0	12	Screw	Vite	Vis	Schraube	
41	325650155/0	1	Support	Supporto	Support	Halter	
42	325650157/0	1	Support	Supporto	Support	Halter	
45	325785379/1	1	Support	Supporto	Support	Halter	
46	112728686/0	2	Screw	Vite	Vis	Schraube	



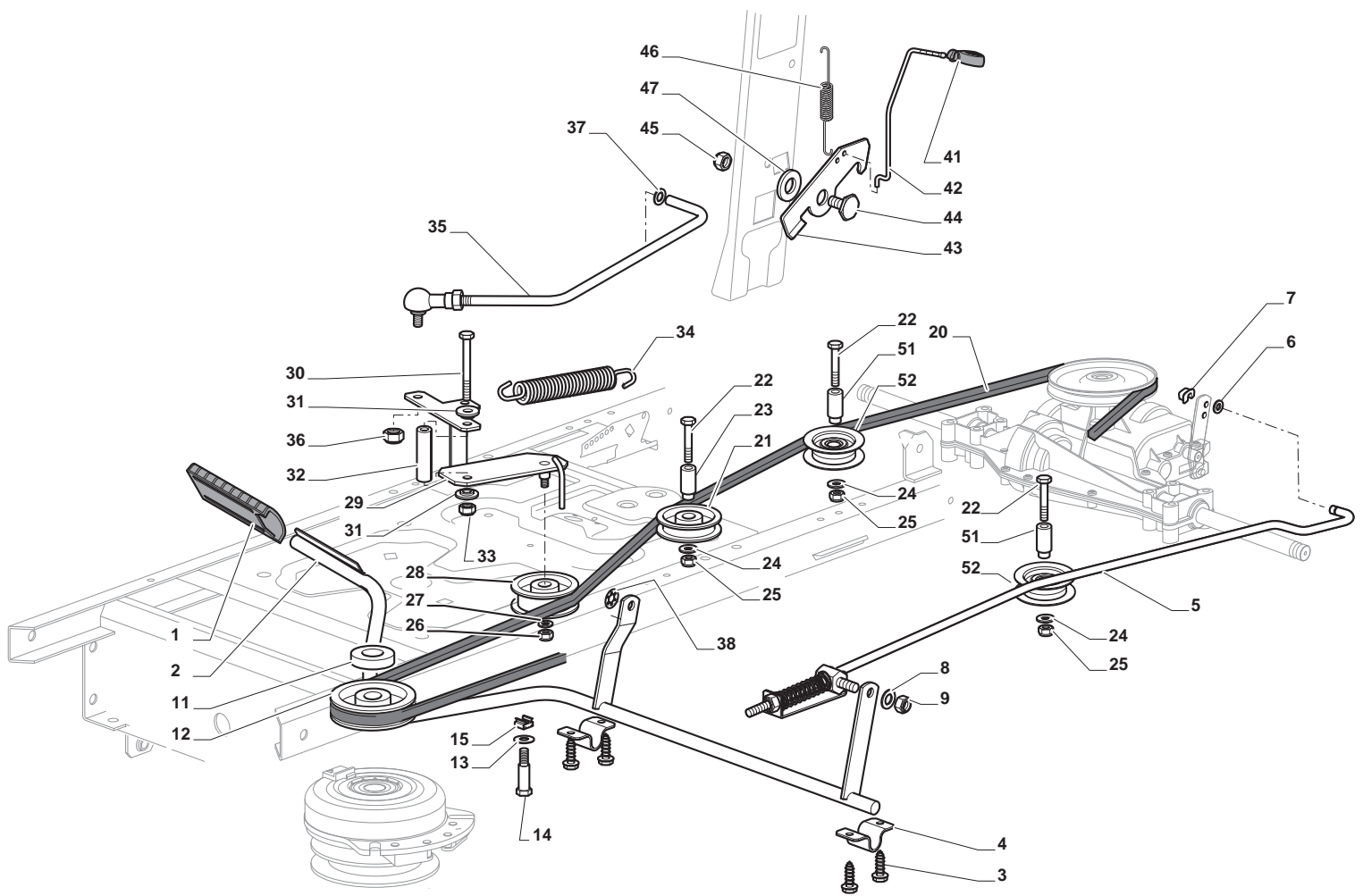
Chassis							
POS	CODE	Q.TY	DESCRIPTION	DESCRIZIONE	DESCRIPTION	BESCHREIBUNG	NOTES
1	325774501/0	1	Clamp	Staffa	Etrier	Bride	
2	325774507/0	1	Clamp	Staffa	Etrier	Bride	
3	325650163/0	2	Stiffening	Rinforzo	Renforcement	Verstaerkung	
4	125943009/0	8	Screw	Vite	Vis	Schraube	
5	125943009/0	2	Screw	Vite	Vis	Schraube	
6	325547299/1	1	Rear Plate, Upper Part	Piastra Posteriore, Parte Superiore	Plaque Arriere, Partie Superieur	Hintere Platte, Oberseite	
7	112789008/0	1	Screw	Vite	Vis	Schraube	
8	127430554/0	1	Spring	Molla	Ressort	Feder	
9	112154330/0	1	Low Self-Locking Nut	Dado Autobloccante	Écrou auto-bloquant	Selbstsichernde Mutter	
10	125943010/0	4	Screw	Vite	Vis	Schraube	
11	112789008/0	6	Screw	Vite	Vis	Schraube	
12	112523020/0	6	Washer	Rosetta	Rondelle	Scheibe	
13	112437503/0	6	Plate	Piastra	Plaque	Platte	
15	112728686/0	2	Screw	Vite	Vis	Schraube	
16	325109522/0	1	Protection Cover	Protection Cover	Protection Cover	Protection Cover	
17	325318276/0	1	Gearshift	Leva	Levier	Hebel	
18	325785400/1	1	Support	Supporto	Support	Halter	
19	125943010/0	2	Screw	Vite	Vis	Schraube	
20	325318277/0	1	Lever	Leva	Levier	Hebel	
25	112793102/0	4	Screw	Vite	Vis	Schraube	
26	325774521/0	2	Clamp	Staffa	Etrier	Bride	
28	325650151/0	1	Stiffening	Rinforzo	Renforcement	Verstaerkung	
29	325650153/0	1	Stiffening	Rinforzo	Renforcement	Verstaerkung	
30	112789008/0	1	Screw	Vite	Vis	Schraube	
31	325755061/0	1	Bracket	Staffa	Etrier	Bride	
32	112154330/0	1	Low Self-Locking Nut	Dado Autobloccante	Écrou auto-bloquant	Selbstsichernde Mutter	
33	325774533/0	1	Clamp	Staffa	Etrier	Bride	
34	125510080/1	1	Pin	Perno	Pivot	Bolzen	
35	112154510/0	1	Nut	Dado	Ecrou	Mutter	
36	125430282/1	1	Spring	Molla	Ressort	Feder	
37	382547071/1	1	Rear Plate, Lower Part	Piastra Posteriore, Parte Inferiore	Plaque Arriere, Partie Inferieur	Hintere Platte, Unterseite	
40	382180121/0	1	Screw	Vite	Vis	Schraube	



Body							
POS	CODE	Q.TY	DESCRIPTION	DESCRIZIONE	DESCRIPTION	BESCHREIBUNG	NOTES
1	325076910/0	1	Upper Engine Hood Red	Cofano Superiore Rosso	Capot Superieure Rouge	Oberhaubesatz Rot	
2	325410901/0	1	Right Grill	Mascherina Destra	Protection, Droit	Rechte Schutz	
3	325410902/0	1	Left Grill	Mascherina Sinistra	Protection, Gauche	Linke Schutz	
4	325785317/0	1	Engine Hood Support	Supporto Cofano	Support Capot	Haubehalter	
5	112735403/0	4	Screw	Vite	Vis	Schraube	
6	325263302/1	1	Air Intake Grill	Griglia Aspirazione	Grille D'Aspiration	Ansauggitter	
7	112728692/0	4	Screw	Vite	Vis	Schraube	
8	325076911/0	1	Lower Engine Hood	Cofano Inferiore	Capot Inferieure	Unterhaubesatz	
10	112728686/0	2	Screw	Vite	Vis	Schraube	
11	325785298/0	1	Dashboard Support	Supporto Cruscotto	Support Tableau Comm.	Konsolehalter	
12	125943010/0	4	Screw	Vite	Vis	Schraube	
13	325270325/0	2	Guide	Guide	Guide	Guide	
14	112735599/0	2	Screw	Vite	Vis	Schraube	
15	112735406/0	3	Screw	Vite	Vis	Schraube	
16	112523040/0	3	Washer	Rondella	Rondelle	Scheibe	
17	325120209/0	1	Dashboard	Cruscotto	Console	Konsole	
18	125943010/0	2	Screw	Vite	Vis	Schraube	
19	325260003/0	2	Grommet	Gommino	Caoutchouc	Gummi	
21	325120203/0	1	Cover	Copertura	Couvre	Kappe	
25	325110383/1	1	Cover, Red	Capottina Rossa	Capot Rouge	Haube Rot	
26	125943010/0	1	Screw	Vite	Vis	Schraube	
33	112735406/0	4	Screw	Vite	Vis	Schraube	
34	325110432/0	1	Red Wheels Cover	Copertura Ruote Rosso	Couvre Roues Rouge	Radenkappe Rot	
35	112437506/0	1	Plate	Piastrina	Plaquette	Plättchen	
36	125943010/0	2	Screw	Vite	Vis	Schraube	
42	325110384/0	1	Right Footboard Cover	Copripedana Destra	Couvre Marchepied Droit	Rechte Fussbrettdeckel	
43	325110385/0	1	Left Footboard Cover	Copripedana Sinistra	Couvre Marchepied Gauche	Linke Fussbrettdeckel	
55	325207191/0	1	Plate	Piastrina	Plaquette	Plättchen	
60	325207198/0	1	Cover	Copertura	Couvre	Kappe	
61	325207199/0	1	Cover	Copertura	Couvre	Kappe	
62	112735105/0	4	Screw	Vite	Vis	Schraube	
63	325207196/0	1	Cover	Copertura	Couvre	Kappe	
64	325207197/0	1	Cover	Copertura	Couvre	Kappe	

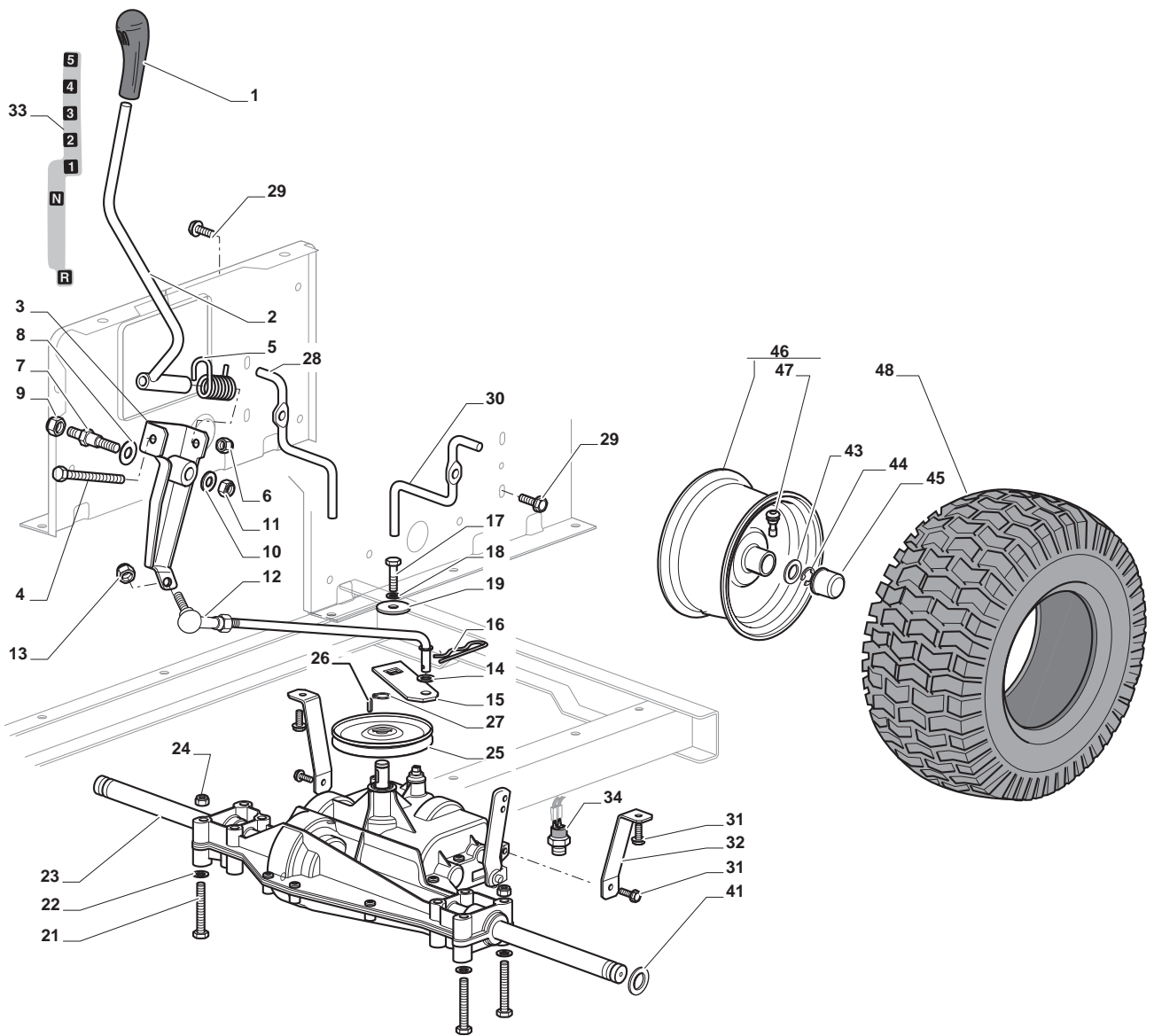


Steering							
POS	CODE	Q.TY	DESCRIPTION	DESCRIZIONE	DESCRIPTION	BESCHREIBUNG	NOTES
1	112692050/0	1	Screw	Vite	Vis	Schraube	
2	112540260/0	1	Grower	Grower	Grower	Federring	
3	112523070/0	1	Washer	Rosetta	Rondelle	Scheibe	
4	125160047/0	1	Spacer	Distanziale	Entretoise	Distanzring	
5	325785318/0	1	Support	Supporto	Support	Halter	
6	325038008/0	1	Bushing	Boccola	Douille	Büchse	
7	125520007/0	1	Steering Column	Piantone Sterzo	Tube De Direction	Lenkungsaeule	
8	112620300/0	1	Pin	Perno	Pivot	Bolzen	
9	112622650/0	1	Pin	Perno	Pivot	Bolzen	
10	125570003/0	1	Pinion	Pignone	Pignon	Ritzel	
11	127943051/0	2	Screw	Vite	Vis	Schraube	
12	325785213/1	1	Support	Supporto	Support	Halter	
13	325743000/0	1	Joint Tc/Junior	Snodo	Joint	Gelenk	
14	112521370/0	1	Washer	Rosetta	Rondelle	Scheibe	
15	112436030/0	1	Plate	Piastra	Plaque	Platte	
20	322672151/0	1	Antifriction Washer	Rondella Antifrizione	Rondelle Antifriction	Anti Friktionswäscher	
21	125510104/0	1	Pin	Perno	Pivot	Bolzen	
22	125670023/0	1	Washer	Rosetta	Rondelle	Scheibe	
23	125510109/0	1	Pin	Perno	Pivot	Bolzen	
24	325735519/0	1	Steering Shaft	Settore Sterzo	Secteur Direction	Lenkkranz	
25	325547233/0	1	Plate	Piastra	Plaque	Platte	
26	112369500/0	1	Elastic Washer	Disco Elastico	Disque Elastique	Federscheibe	
27	122160400/0	1	Elastic Washer	Disco Elastico	Disque Elastique	Federscheibe	
28	112155010/0	2	Self-Locking Nut	Dado Autobloccante	Écrou auto-bloquant	Selbstsichernde Mutter	
29	112155010/0	2	Self-Locking Nut	Dado Autobloccante	Écrou auto-bloquant	Selbstsichernde Mutter	
31	382000566/2	1	Steering Rod	Asta Comando Sterzo	Barre De Direction	Lenkungsstab	
32	112156602/0	2	Nut	Dado	Écrou	Nuss	
34	325318243/0	1	Lever	Leva	Levier	Hebel	
35	112692390/0	1	Screw	Vite	Vis	Schraube	
36	112521360/0	2	Washer	Rosetta	Rondelle	Scheibe	
37	112156602/0	1	Nut	Dado	Écrou	Nuss	
38	125510103/0	2	Pin	Perno	Pivot	Bolzen	
39	325840029/0	1	Tie Rod	Tirante Collegamento Fuselli	Tirant	Spannstange	
40	325038007/0	2	Bushing	Bushing	Bushing	Bushing	
41	382230369/0	1	Right Stub Axle	Fusello Destro	Fuseau Droit	Rechter Achsschenkel	13"
41	382230373/0	1	Right Stub Axle	Fusello Destro	Fuseau Droit	Rechter Achsschenkel	15"
42	382230371/0	1	Left Stub Axle	Fusello Sinistro	Fuseau Gauche	Linker Achsschenkel	13"
42	382230375/0	1	Left Stub Axle	Fusello Sinistro	Fuseau Gauche	Linker Achsschenkel	15"
43	112155000/0	2	Nut	Dado	Écrou	Nuss	
45	382034030/0	1	Equalizer With Bush And Lubricator	Bilanciere Con Boccola Ed Ingrassatore	Balancier Avec Douille Et Graisseur	Kipphebel Mit Büchse Und Fettbüchse	
46	112379511/0	2	Grease Dispenser	Ingrassatore	Graisseur	Fettbüchse	
47	125034002/1	4	Bush	Bussola	Douille	Büchse	
48	112001010/0	1	Benzing Ring	Anello Benzing	Anneau Benzing	Ring Benzing	
51	112692695/0	1	Screw	Vite	Vis	Schraube	
52	112523100/0	2	Washer	Rosetta	Rondelle	Scheibe	
53	125160016/0	1	Equalizer Spacer	Distanziale	Entretoise	Distanzring	
54	112587100/0	1	Grower	Grower	Grower	Federring	
55	112295300/0	1	Hexagonal Nut	Dado	Écrou	Nuss	
61	125122200/2	4	Bearing	Cuscinetto	Roul. À Billes	Kugellager	
62	182000598/0	2	Rimm	Cerchio Ruota	Bandage Roue	Vorderrad Felger	
63	125950000/0	2	Valve	Valvola	Vanne	Ventil	
64	125590014/0	2	Tyre	Pneumatico	Pneu	Reifen	13"
64	127590066/0	2	Tyre	Pneumatico	Pneu	Reifen	15"
66	125670005/1	2	Washer	Rosetta	Rondelle	Scheibe	
67	112001010/0	2	Benzing Ring	Anello Benzing	Anneau Benzing	Ring Benzing	
68	322110233/0	2	Hub Cover	Coprizzo	Couvre Moyeu	Nabedeckel	
70	382180124/0	1	Screw	Vite	Vis	Schraube	

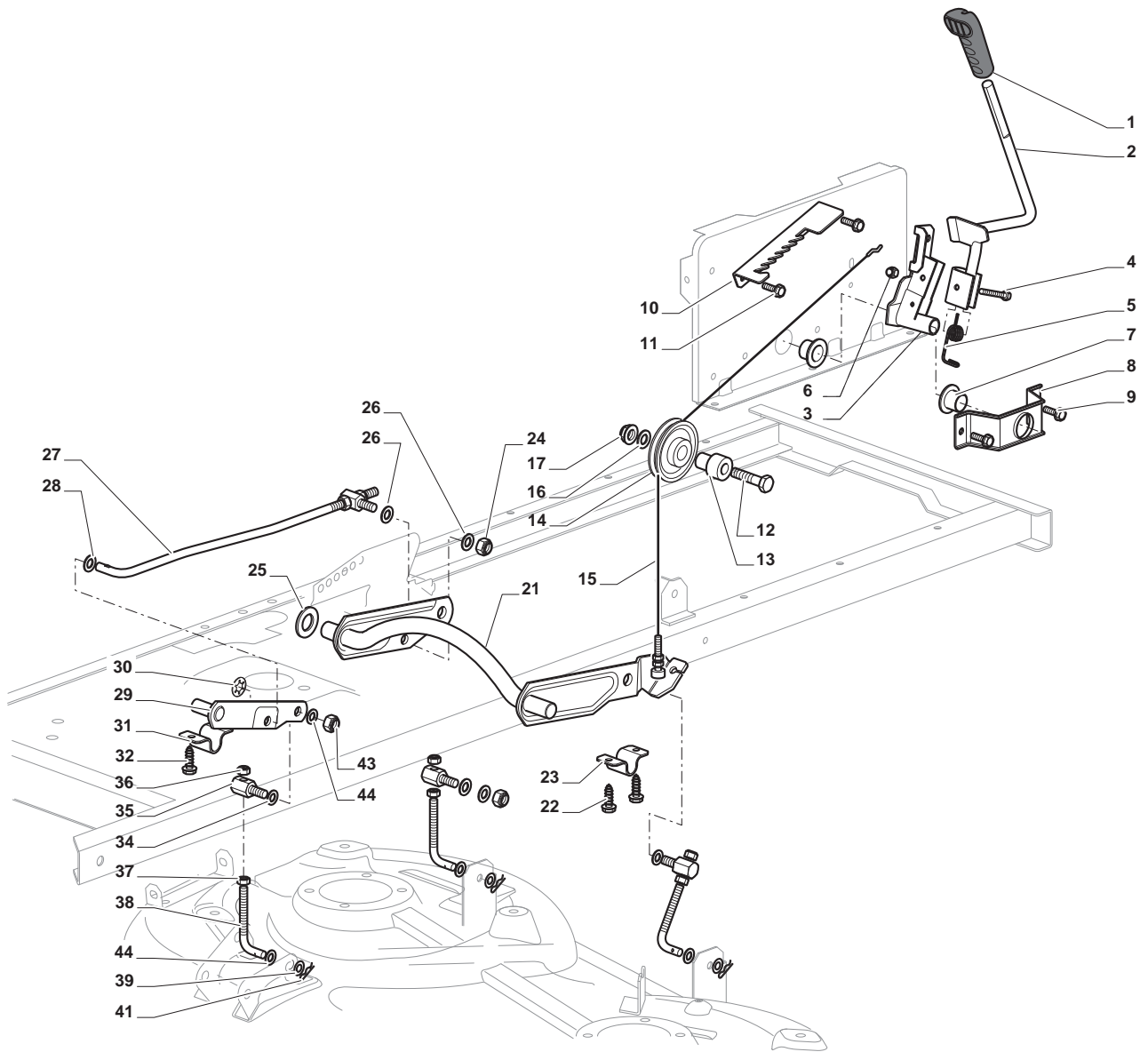


Brake And Gearbox Controls, PEERLESS

POS	CODE	Q.TY	DESCRIPTION	DESCRIZIONE	DESCRIPTION	BESCHREIBUNG	NOTES
1	325110391/0	1	Clamp Cover	Copristaffa	Couvre Etrier	Bridedeckel	
2	382500047/0	1	Pedal	Pedale Freno	Pedal	Pedal	
3	112735599/0	4	Screw	Vite	Vis	Schraube	
4	325547231/0	2	Plate	Piastrina	Plaquette	Plättchen	
5	382000568/0	1	Rod	Asta	Tige	Stange	
6	112521350/0	1	Washer	Rondella	Rondelle	Scheibe	
7	112436050/0	1	Plate	Piastrina	Plaquette	Plättchen	
8	325670011/0	1	Antifriction Washer	Rondella Antifrizione	Rondelle Antifricition	Antifricition Scheibe	
9	112155000/0	1	Nut	Dado	Ecrou	Nuss	
11	125160021/0	1	Spacer	Distanziale	Entretoise	Distanzring	
12	125601567/0	1	Pulley	Puleggia	Poulie	Riemenscheibe	
13	112524010/0	2	Washer	Rondella	Rondelle	Scheibe	
14	125580030/0	2	Belt Guide (Mech.)	Piolo Guidacinghia (Mecc.)	Guide De Courroie (Mec.)	Riemenführung (Mech.)	
15	112360425/0	2	Nut	Dado	Ecrou	Nuss	
20	135062018/0	1	Belt	Cinghia	Courroie	Riemen	
21	125601555/0	1	Pulley	Puleggia	Poulie	Riemenscheibe	
22	112691400/0	3	Screw	Vite	Vis	Schraube	
23	125160051/0	1	Spacer	Distanziale	Entretoise	Distanzring	
24	112523060/0	3	Washer	Rondella	Rondelle	Scheibe	
25	112155000/0	3	Nut	Dado	Ecrou	Nuss	
26	112155000/0	1	Nut	Dado	Ecrou	Nuss	
27	112523060/0	1	Washer	Rondella	Rondelle	Scheibe	
28	125601554/0	1	Pulley	Puleggia	Poulie	Riemenscheibe	
29	382318235/1	1	Lever	Leva	Levier	Hebel	
30	112691600/0	1	Screw	Vite	Vis	Schraube	
31	125038002/1	2	Bush	Bussola	Douille	Buchse	
32	125160027/0	1	Spacer	Distanziale	Entretoise	Distanzring	
33	112155000/0	1	Nut	Dado	Ecrou	Nuss	
34	125430262/0	1	Spring	Molla	Ressort	Feder	
35	382820016/1	1	Tie Rod Ass.Y	Ass. Tirante	Ens. Tirant	Spannstange, Komplet	
36	112293201/0	1	Nut	Dado	Ecrou	Nuss	
37	124487997/0	1	Cotter Pin	Copiglia	Goupille	Split	
38	112604899/0	1	Crown Fastener	Fissatore A Corona	Fixateur A Couronne	Kronescheibe	
41	325394534/0	1	Knob	Manopolina	Poignée	Griff	
42	125033083/0	1	Rod	Asta	Tige	Stange	
43	325253011/1	1	Hook	Gancio	Accrochage	Haken	
44	122524970/2	1	Fulcrum Pin	Perno Fulcro	Pivot	Gelenkpunkt	
45	112155000/0	1	Nut	Dado	Ecrou	Nuss	
46	125430213/0	1	Spring	Molla	Ressort	Feder	
47	112523060/0	1	Washer	Rondella	Rondelle	Scheibe	
51	125160068/0	2	Spacer	Distanziale	Entretoise	Distanzring	
52	125601592/0	2	Pulley	Puleggia	Poulie	Riemenscheibe	



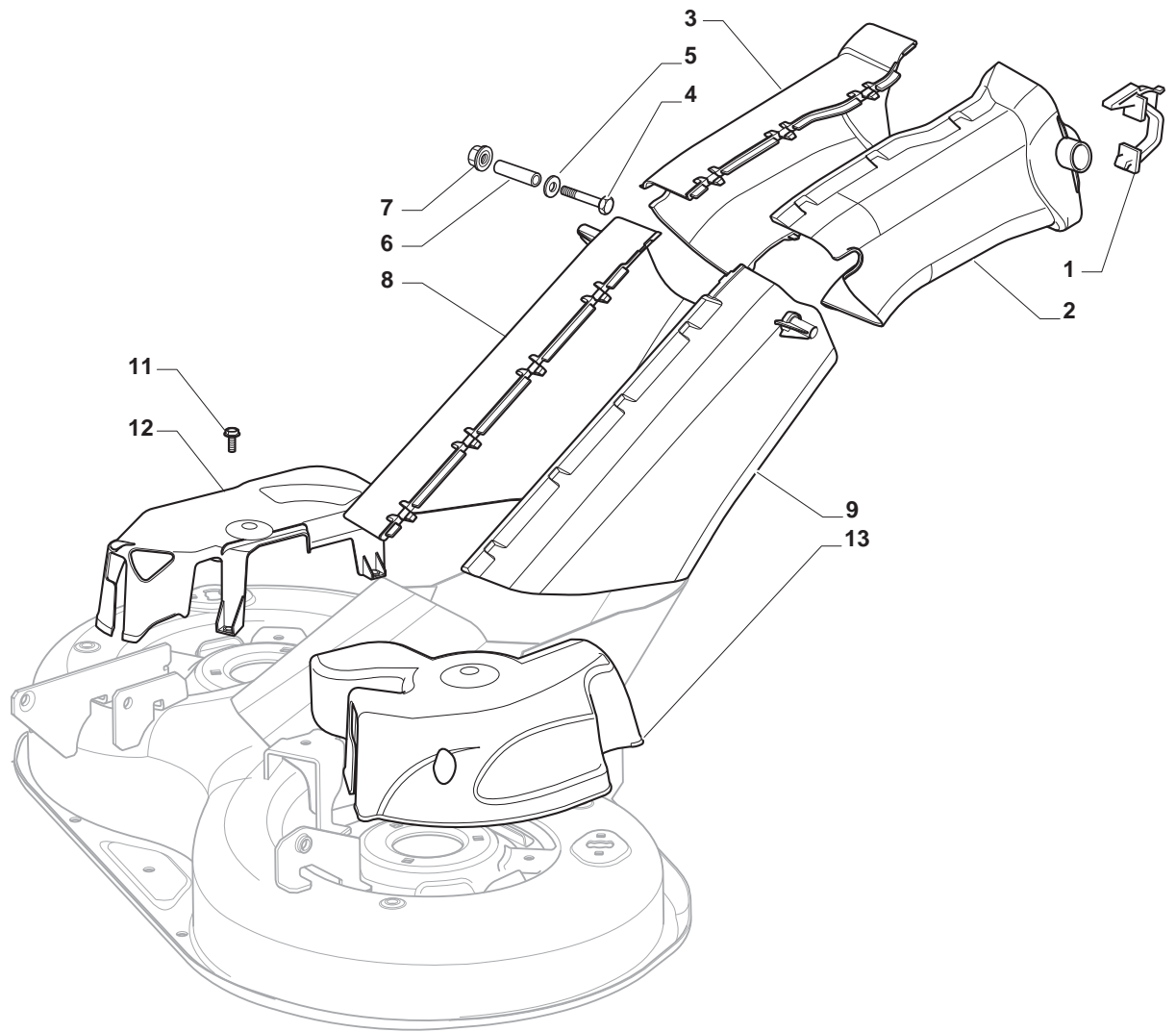
PEERLESS Transmission							
POS	CODE	Q.TY	DESCRIPTION	DESCRIZIONE	DESCRIPTION	BESCHREIBUNG	NOTES
1	325394532/0	1	Knob	Manopolina	Poignée	Griff	
2	382318257/0	1	Lever	Leva	Levier	Hebel	
3	382774259/0	1	Clamp	Staffa	Etrier	Bride	
4	112692050/0	1	Screw	Vite	Vis	Schraube	
5	125430226/0	1	Spring	Molla	Ressort	Feder	
6	112155000/0	1	Nut	Dado	Ecrou	Nuss	
7	125510035/0	1	Pin	Perno	Pivot	Bolzen	
8	322672151/0	1	Antifriction Washer	Rondella Antifrizione	Rondelle Antifricition	Antifricition Scheibe	
9	112155010/0	1	Nut	Dado	Ecrou	Nuss	
10	112523060/0	1	Washer	Rondella	Rondelle	Scheibe	
11	112155010/0	1	Nut	Dado	Ecrou	Nuss	
12	382000649/0	1	Rod	Asta	Tige	Stange	
13	112154210/0	1	Nut	Dado	Ecrou	Nuss	
14	112521340/0	1	Washer	Rondella	Rondelle	Scheibe	
15	325318235/0	1	Lever	Leva	Levier	Hebel	
16	112141418/0	1	Cotter Pin	Copiglia	Goupille	Split	
17	112735520/0	1	Screw	Vite	Vis	Schraube	
18	112540040/0	1	Washer	Rondella	Rondelle	Scheibe	
19	322680009/0	1	Washer	Rondella	Rondelle	Scheibe	
21	112691600/0	4	Screw	Vite	Vis	Schraube	
22	112521350/0	4	Washer	Rondella	Rondelle	Scheibe	
23	118400910/2	1	Transmission	Transmissione	Transmission	Übertragung	
24	112155000/0	4	Nut	Dado	Ecrou	Nuss	
25	182601509/0	1	Pulley	Puleggia	Poulie	Riemenscheibe	
26	112139430/0	1	Key	Chiave	Clef	Schlüssel	
27	112608950/0	1	Seeger	Seeger	Seeger	Seeger	
28	125270329/0	1	Belt Guide	Guidacinghia	Guide De Courroie	Riemenführung	
29	112735599/0	2	Screw	Vite	Vis	Schraube	
30	125270330/0	1	Belt Guide	Guidacinghia	Guide De Courroie	Riemenführung	
31	125943009/0	4	Screw	Vite	Vis	Schraube	
32	325785315/0	2	Support	Supporto	Support	Halter	
33	114366141/0	1	Label	Etichetta	Etiquette	Etikett	
34	119410608/1	1	Micro Lever	Micro Interruttore	Micro	Mikro	
43	125670005/1	6	Washer	Rondella	Rondelle	Scheibe	
44	112001010/0	2	Benzing Ring	Anello Benzing	Anneau Benzing	Ring Benzing	
45	322110233/0	2	Hub Cover	Coprismozzo	Couvre Moyeu	Nabendeckel	
46	382000597/0	2	Rimm	Cerchio Ruota	Bandage Roue	Vorderrad Felger	
47	125950000/0	2	Valve	Valve	Valve	Valve	
48	125590015/0	2	Tyre	Pneumatico	Pneu	Reifen	



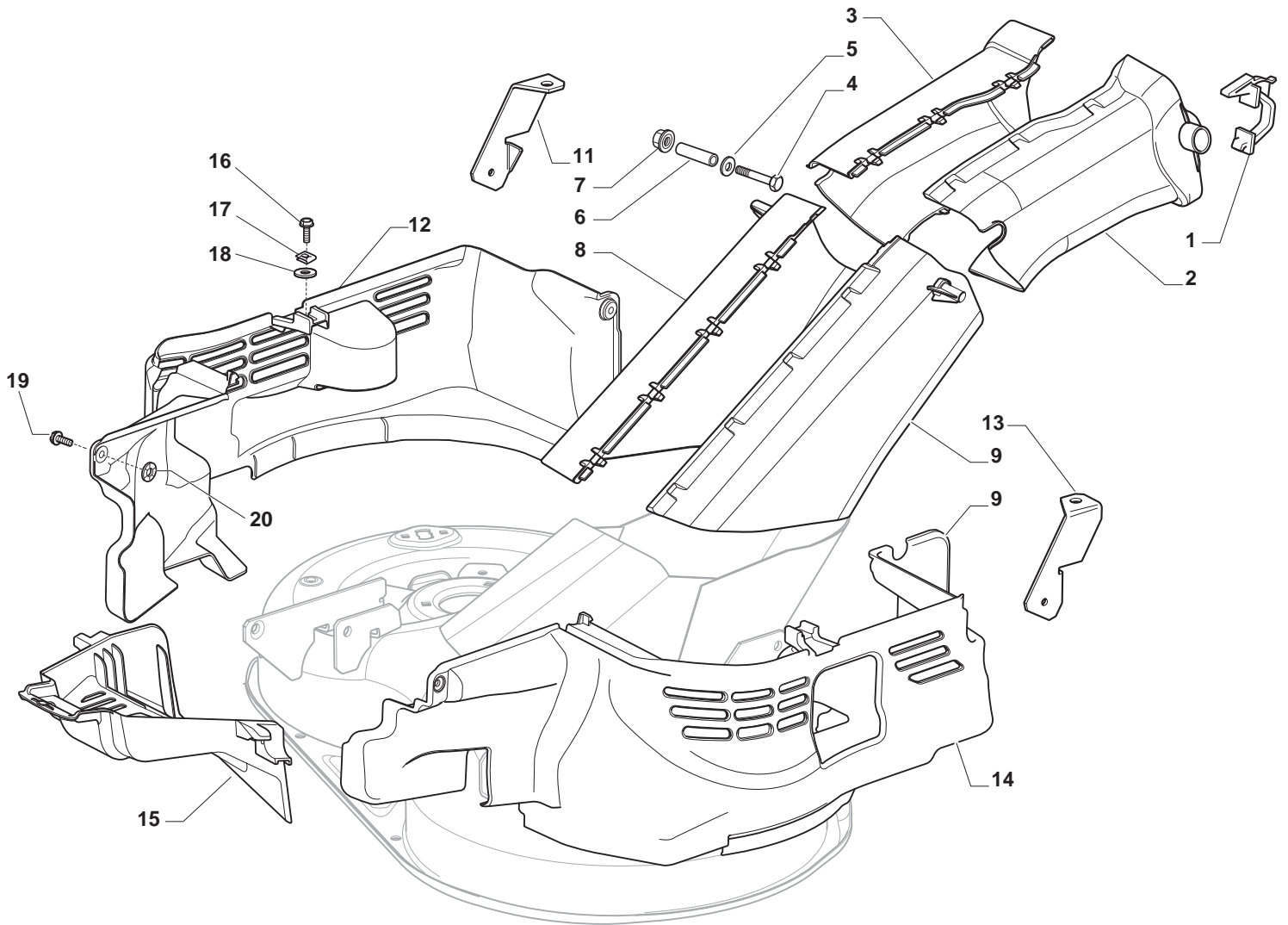
Cutting Plate Lifting

POS	CODE	Q.TY	DESCRIPTION	DESCRIZIONE	DESCRIPTION	BESCHREIBUNG	NOTES
1	325394533/0	1	Knob	Manopolina	Poignée	Griff	
2	382318255/0	1	Lever	Leva	Levier	Hebel	
3	382318231/0	1	Axle	Asse Avanzamento	Axe	Achse	
4	112674700/0	1	Screw	Vite	Vis	Schraube	
5	125430261/0	1	Spring	Molla	Ressort	Feder	
6	112154510/0	1	Nut	Dado	Ecrou	Nuss	
7	325038006/0	2	Bushing	Boccola	Douille	Büchse	
8	325785297/0	1	Support	Supporto	Support	Halter	
9	125943009/0	2	Screw	Vite	Vis	Schraube	
10	325735515/0	1	Steering Shaft	Settore Sterzo	Secteur Direction	Lenkkranz	
11	125943009/0	2	Screw	Vite	Vis	Schraube	
12	112793701/0	1	Screw	Vite	Vis	Schraube	
13	125040636/1	1	Bushing	Bussola	Douille	Büchse	
14	125601579/0	1	Pulley	Puleggia	Poulie	Riemenscheibe	
15	382004620/0	1	Wire	Filo	Fil	Kabel	
16	112523060/0	1	Washer	Rondella	Rondelle	Scheibe	
17	112293201/0	1	Nut	Dado	Ecrou	Nuss	
21	382318253/0	1	Axle	Asse Avanzamento	Axe	Achse	
22	112735599/0	4	Screw	Vite	Vis	Schraube	
23	325547231/0	2	Plate	Plate	Plate	Plate	
24	112155000/0	1	Nut	Dado	Ecrou	Nuss	
25	112521390/0	2	Washer	Rondella	Rondelle	Scheibe	
26	325670011/0	2	Antifriction Washer	Rondella Antifrizione	Rondelle Antifriction	Antifriction Scheibe	
27	382000569/1	1	Connecting Rod	Asta Collegamento	Tige De Connexion	Verbindungsstab	
28	112521350/0	1	Washer	Rondella	Rondelle	Scheibe	
29	382318237/0	1	Axle	Asse Avanzamento	Axe	Achse	
30	112604899/0	1	Crown Fastener	Fissatore A Corona	Fixateur A Couronne	Kronescheibe	
31	325547231/0	1	Plate	Piastrina	Plaquette	Plättchen	
32	112735599/0	2	Screw	Vite	Vis	Schraube	
34	325670008/1	3	Washer	Rondella	Rondelle	Scheibe	
35	125510107/1	3	Pin	Perno	Pivot	Bolzen	
36	112156602/0	3	Nut	Dado	Ecrou	Nuss	
37	112295200/0	3	Nut	Dado	Ecrou	Nuss	
38	125840012/0	3	Tie Rod	Tirante	Tirant	Spannstange	
39	112523060/0	3	Washer	Rondella	Rondelle	Scheibe	
41	124487998/0	3	Cotter Pin	Copiglia	Goupille	Split	
43	112156602/0	3	Nut	Dado	Ecrou	Nuss	
44	325670008/1	6	Washer	Rondella	Rondelle	Scheibe	

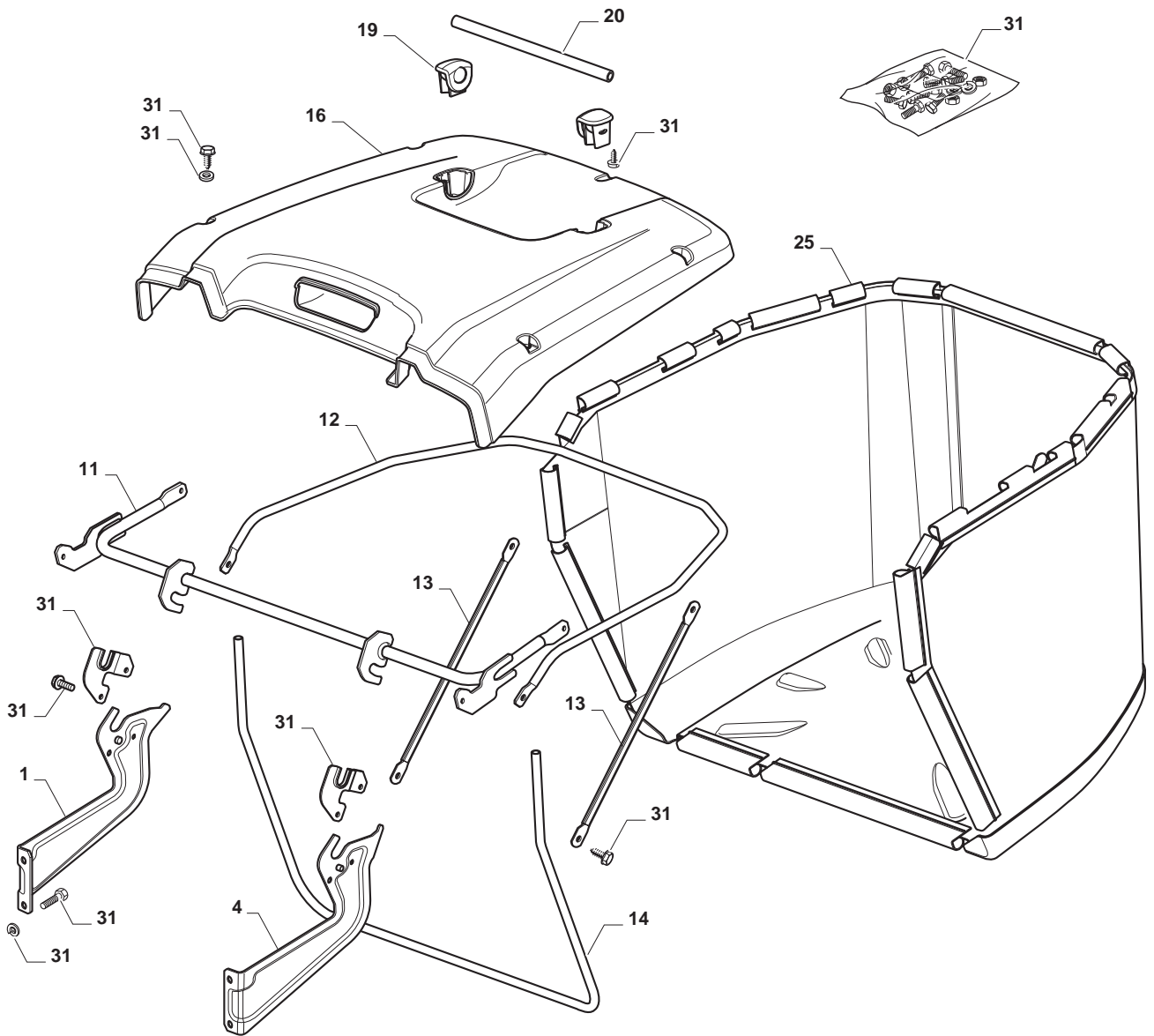
Cutting Plate							
POS	CODE	Q.TY	DESCRIPTION	DESCRIZIONE	DESCRIPTION	BESCHREIBUNG	NOTES
1	382564114/0	1	Cutting Plate Black	Piatto Di Taglio Nero	Plateau De Coupe Noir	Schneidwerkzeug Schwarz	
2	325033086/0	2	Water Hose Connection	Attacco Tubo Acqua	Raccord Tuyau D'Eau	Wasseranschluss	
3	119035000/0	2	O.R. Ring	O.R. Ring	O.R. Ring	O.R. Ring	
4R	382207205/0	1	Flange Assy	Ass. Flangia Collet. Aspiraz.	Bride Collect. Aspiration	Flansch Koll. Ansaugung	
4L	382207206/0	1	Flange Assy	Ass. Flangia Collet. Aspiraz.	Bride Collect. Aspiration	Flansch Koll. Ansaugung	
5L	125020804/0	1	Shaft	Albero	Arbre	Welle	
5R	125020805/0	1	Shaft	Albero	Arbre	Welle	
6	119216047/0	4	Bearing	Cuscinetto	Roul. À Billes	Kugellager	
7	325160501/0	2	Dust Cover Disc	Disco Parapolvere	Protege-Poussiere	Staubschuttscheibe	
8	112609260/0	2	Seeger	Seeger	Seeger	Seeger	
11	135061508/0	1	Belt	Cinghia	Courroie	Riemen	
12	125601585/1	2	Pulley	Puleggia	Poulie	Riemenscheibe	
13	112793102/0	2	Screw	Vite	Vis	Schraube	
14	112540260/0	2	Grower	Grower	Grower	Federring	
15	125670007/0	2	Washer	Rosetta	Rondelle	Scheibe	
16	112139480/0	2	Feather	Linguetta	Clavette	Keil	
17	112818700/0	6	Screw	Vite	Vis	Schraube	
18	112154210/0	6	Self-Locking Nut	Dado Autobloccante	Écrou auto-bloquant	Selbstsichernde Mutter	
21	112691400/0	1	Screw	Vite	Vis	Schraube	
22	112524010/0	1	Washer	Rosetta	Rondelle	Scheibe	
23	112610800/0	1	Snap Ring	Anello Seeger	Circlip	Circlip	
24	119216048/0	1	Bearing	Cuscinetto	Roul. À Billes	Kugellager	
25	125601595/0	1	Pulley	Puleggia	Poulie	Riemenscheibe	
26	125160052/0	1	Spacer	Distanziale	Entretoise	Distanzring	
27	325318289/0	1	Lever	Leva	Levier	Hebel	
28	112293201/0	1	Nut	Dado	Écrou	Mutter	
29	112155020/0	1	Self-Locking Nut	Dado Autobloccante	Écrou auto-bloquant	Selbstsichernde Mutter	
30	125670022/0	1	Washer	Rosetta	Rondelle	Scheibe	
31	125040635/0	1	Bushing	Boccola	Douille	Büchse	
32	382004618/0	1	Wire	Filo	Fil	Kabel	
33	125160049/0	1	Spacer	Distanziale	Entretoise	Distanzring	
34	112523080/0	1	Washer	Rosetta	Rondelle	Scheibe	
35	112156602/0	1	Nut	Dado	Écrou	Mutter	
36	118399069/0	1	Clutch Assy	Ass. Frizione	Friction	Set Kupplung	
37	112543000/0	1	Washer	Rosetta	Rondelle	Scheibe	
38	112737320/0	1	Screw	Vite	Vis	Schraube	
39	125430277/0	1	Spring	Molla	Ressort	Feder	
41	112691115/0	2	Screw	Vite	Vis	Schraube	
42	112523060/0	2	Washer	Rosetta	Rondelle	Scheibe	
43	125601555/0	2	Pulley	Puleggia	Poulie	Riemenscheibe	
44	125160069/0	2	Spacer	Distanziale	Entretoise	Distanzring	
45	112155000/0	2	Nut	Dado	Écrou	Mutter	
51	382000565/0	2	Equalizer Rod	Asta Bilanciere	Tige Balancier	Kipphebel	
52	325670008/1	8	Washer	Rosetta	Rondelle	Scheibe	
53	112156602/0	4	Nut	Dado	Écrou	Mutter	
61L	112735694/0	1	Screw	Vite	Vis	Schraube	
61R	112735695/1	1	Screw	Vite	Vis	Schraube	
62	112523080/0	2	Washer	Rosetta	Rondelle	Scheibe	
63	122160400/0	2	Elastic Washer	Disco Elastico	Disque Elastique	Federscheibe	
64R	182004358/0	1	Right Blade, Winged	Coltello Destro, Alettato	Lame Droit, Aillettee	Rechter Messer, Flügel	
64L	182004359/0	1	Left Blade, Winged	Coltello Sinistro, Alettato	Lame Gauche, Aillettee	Linker Messer, Flügel	
65	125463200/0	2	Blade Hub	Mozzo Coltello	Moyeu Lame	Messerhalter	
66	112139100/0	2	Key	Chiave	Clef	Schlüssel	
71R	182004360/0	1	Right Mulching Blade	Coltello Destro Mulching	Lame Droit Mulching	Rechter Messer Mulching	
71L	182004361/0	1	Left Mulching Blade	Coltello Sinistro Mulching	Lame Gauche Mulching	Linker Messer Mulching	
75	112791213/1	3	Screw	Vite	Vis	Schraube	
76	325140108/0	1	Deflector	Deflettore	Deflecteur	Abweiser	
77	112154510/0	4	Nut	Dado	Écrou	Mutter	
78	325785418/0	1	Support	Supporto	Support	Halter	
79	112523040/0	4	Washer	Rosetta	Rondelle	Scheibe	
80	112790781/0	1	Screw	Vite	Vis	Schraube	



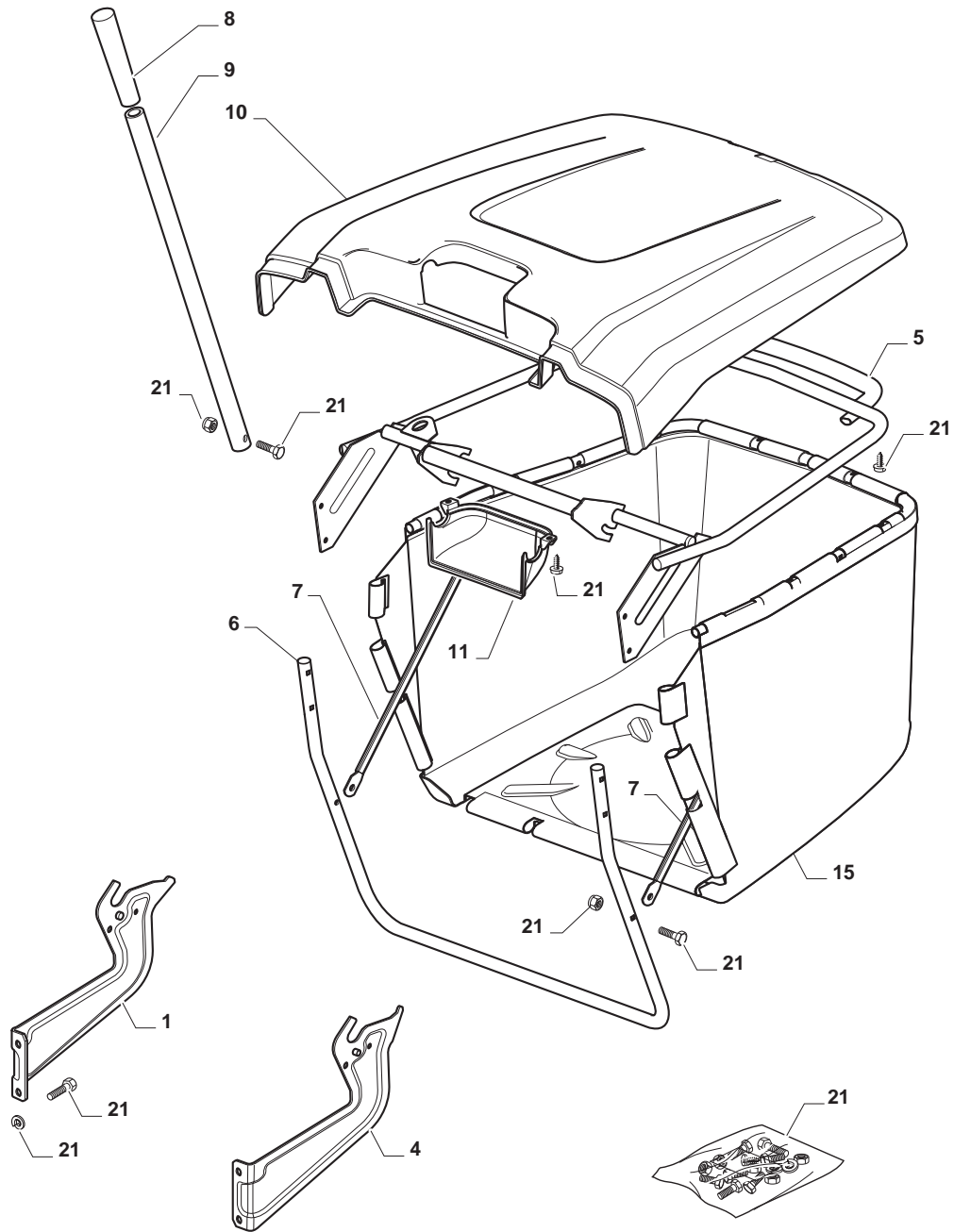
Guards							
POS	CODE	Q.TY	DESCRIPTION	DESCRIZIONE	DESCRIPTION	BESCHREIBUNG	NOTES
1	325774499/0	2	Clamp	Staffa	Etrier	Bride	
2	325108056/0	1	Conveyor	Convogliatore	Convoyeur	Konveyor	
3	325108057/0	1	Conveyor	Convogliatore	Convoyeur	Konveyor	
4	112792425/0	2	Screw	Vite	Vis	Schraube	
5	112521330/0	2	Washer	Rosetta	Rondelle	Scheibe	
6	125160071/0	2	Spacer	Distanziale	Entretoise	Distanzring	
7	112154510/0	2	Nut	Dado	Ecrou	Mutter	
8	325108064/0	1	Conveyor	Convogliatore	Convoyeur	Konveyor	
9	325108065/0	1	Conveyor	Convogliatore	Convoyeur	Konveyor	
11	125943010/0	6	Screw	Vite	Vis	Schraube	
12	325060170/0	1	Case	Carter	Carter	Gehäuse	
13	325060171/0	1	Case	Carter	Carter	Gehäuse	



Guards							Cemagref
POS	CODE	Q.TY	DESCRIPTION	DESCRIZIONE	DESCRIPTION	BESCHREIBUNG	NOTES
1	325774499/0	2	Clamp	Staffa	Etrier	Bride	
2	325108056/0	1	Conveyor	Convogliatore	Convoyeur	Konveyor	
3	325108057/0	1	Conveyor	Convogliatore	Convoyeur	Konveyor	
4	112792425/0	2	Screw	Vite	Vis	Schraube	
5	112521330/0	2	Washer	Rosetta	Rondelle	Scheibe	
6	125160071/0	2	Spacer	Distanziale	Entretoise	Distanzring	
7	112154510/0	2	Nut	Dado	Ecrou	Mutter	
8	325108064/0	1	Conveyor	Convogliatore	Convoyeur	Konveyor	
9	325108065/0	1	Conveyor	Convogliatore	Convoyeur	Konveyor	
11	325774527/0	1	Clamp	Staffa	Etrier	Bride	
12	325060164/0	1	Case	Carter	Carter	Gehäuse	
13	325774529/0	1	Clamp	Staffa	Etrier	Bride	
14	325060165/0	1	Case	Carter	Carter	Gehäuse	
15	325060166/0	1	Guard	Protezione	Protection	Schutz	
16	112789008/0	2	Screw	Vite	Vis	Schraube	
17	112437503/0	2	Plate	Piastra	Plaque	Platte	
18	112521320/0	2	Washer	Rosetta	Rondelle	Scheibe	
19	125943011/0	4	Screw	Vite	Vis	Schraube	
20	112604899/0	4	Crown Fastener	Fissatore A Corona	Fixateur A Couronne	Kronescheibe	



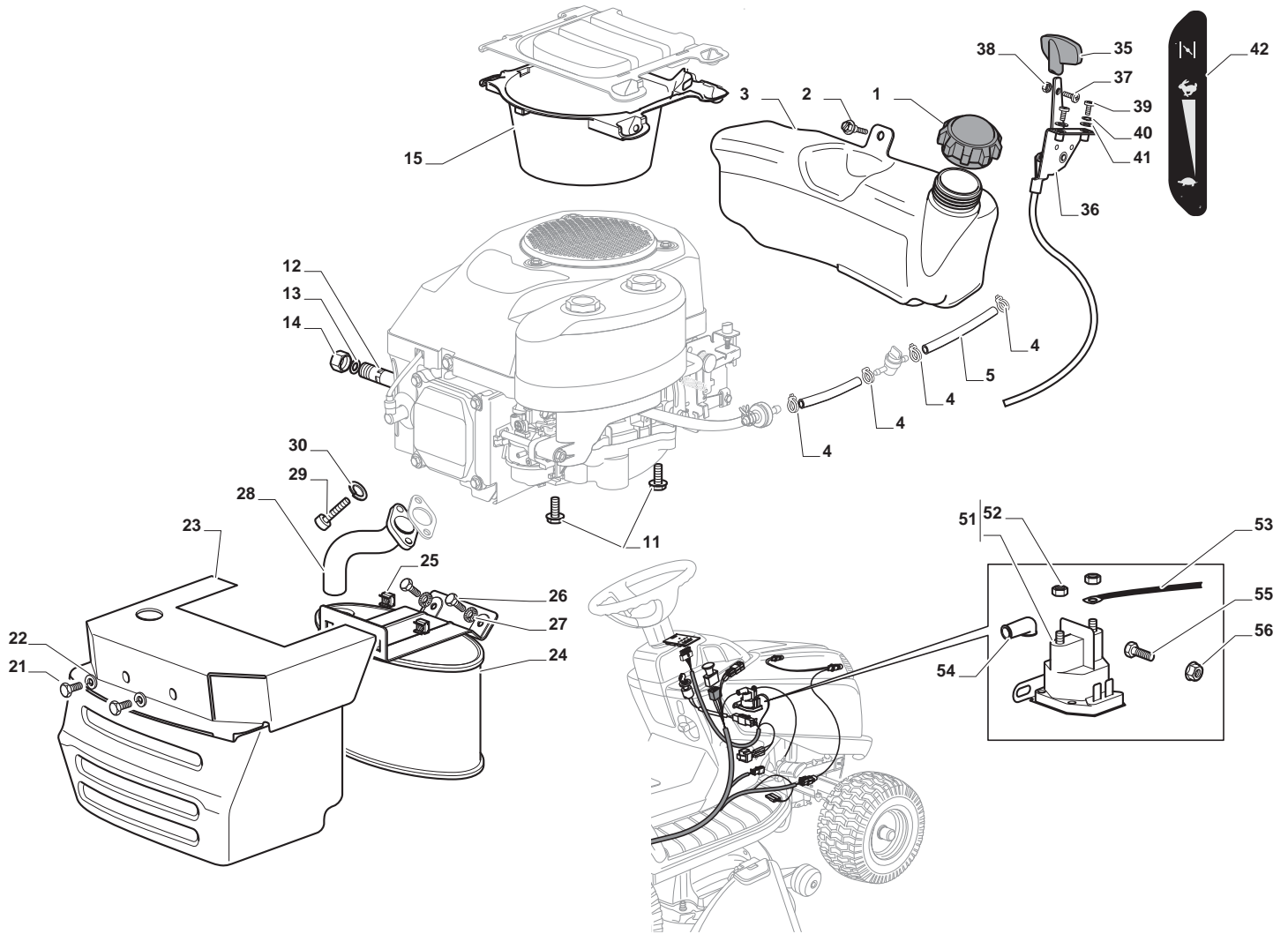
Grasscatcher							Low End Version
POS	CODE	Q.TY	DESCRIPTION	DESCRIZIONE	DESCRIPTION	BESCHREIBUNG	NOTES
1	325785377/0	1	Support	Supporto	Support	Halter	
4	325785383/0	1	Support	Supporto	Support	Halter	
11	382800147/0	1	Upper Frame	Telaio Superiore	Chassis Superieur	Obererrahmen	
12	382800145/0	1	Upper Frame	Telaio Superiore	Chassis Superieur	Obererrahmen	
13	325650161/0	2	Stiffening	Rinforzo	Renforcement	Verstaerkung	
14	382800143/0	1	Front Frame	Front Frame	Front Frame	Front Frame	
16	325110437/0	1	Black Grass-Catcher Cover	Copertura Sacco Nero	Couvre-Bac Noir	Sackkappe Schwarz	
19	325785417/0	2	Support	Supporto	Support	Halter	
20	325394538/0	1	Handle	Corrimano	Main-Courante	Handlauf	
25	182105942/0	1	Grasscatcher	Confezione Sacco	Bac	Sack	
31	382180122/1	1	Screw	Vite	Vis	Schraube	



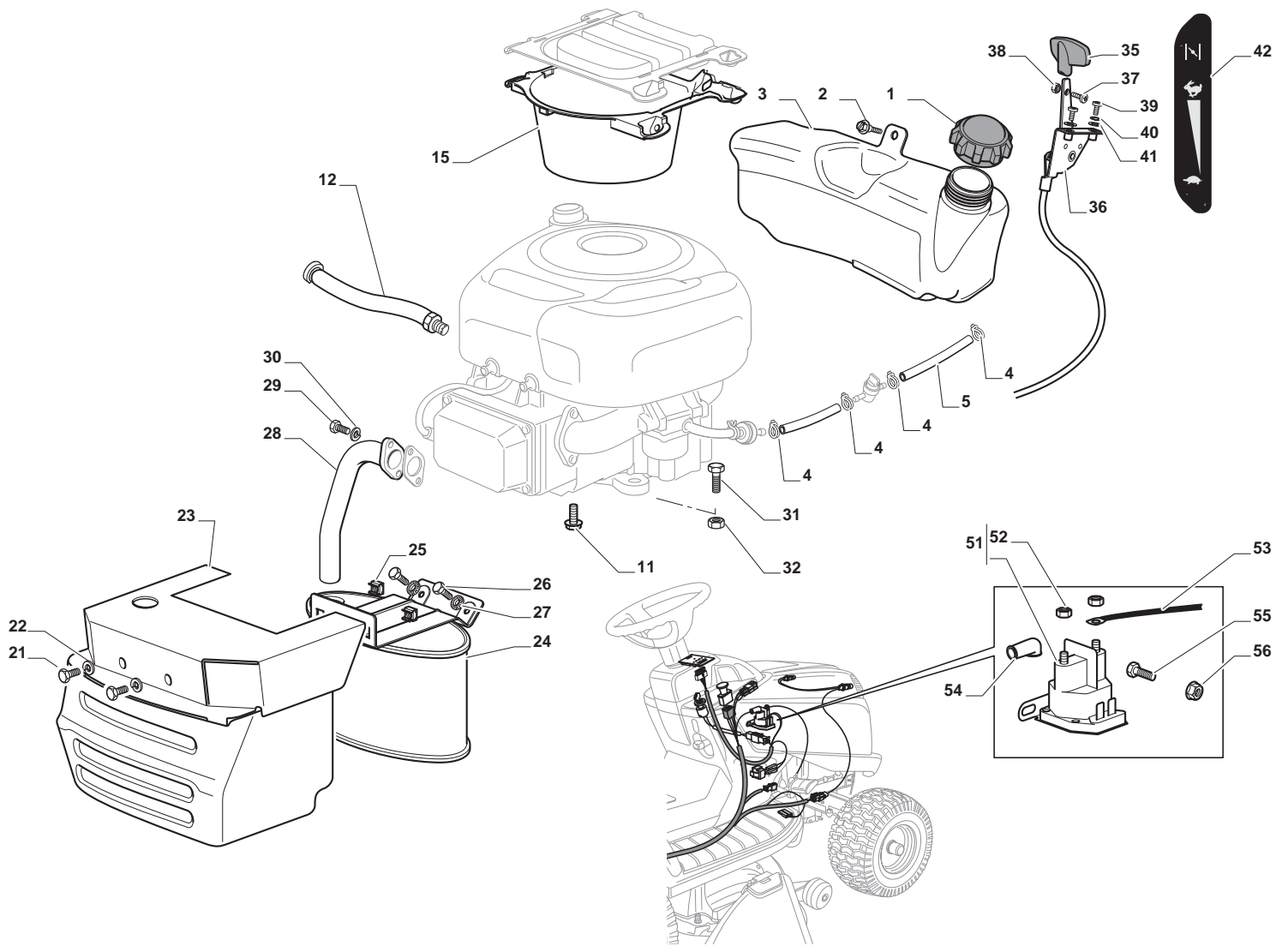
Grasscatcher

High End Version

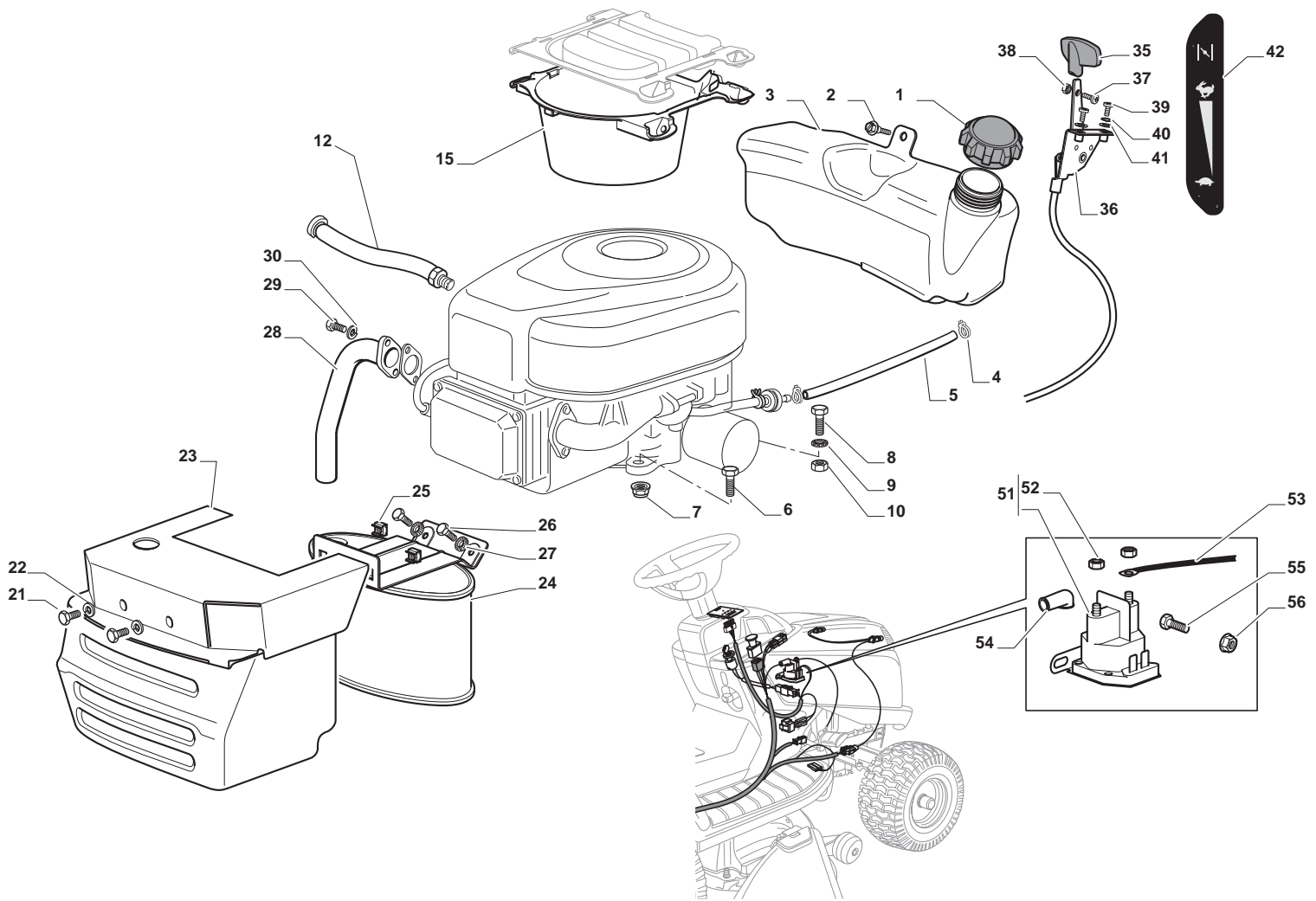
POS	CODE	Q.TY	DESCRIPTION	DESCRIZIONE	DESCRIPTION	BESCHREIBUNG	NOTES
1	325785377/0	1	Support	Supporto	Support	Halter	
4	325785383/0	1	Support	Supporto	Support	Halter	
5	382800139/0	1	Upper Frame	Telaio Superiore	Chassis Superieur	Obererrahmen	
6	382800141/0	1	Front Frame	Front Frame	Front Frame	Front Frame	
7	325650149/0	2	Stiffening	Rinforzo	Renforcement	Verstaerkung	
8	125394508/0	1	Knob	Manopola	Poignee	Knopf	
9	325869087/0	1	Rod	Asta	Tige	Stange	
10	325110431/0	1	Red Grass-Catcher Cover	Copertura Sacco Rosso	Couvre-Bac, Rouge	Sackkappe, Rot	
10	325110434/0	1	White Grass-Catcher Cover	Copertura Sacco Bianco	Couvre-Bac Blanc	Sackkappe Weiß	
10	325110436/0	1	Black Grass-Catcher Cover	Copertura Sacco Nero	Couvre-Bac Noir	Sackkappe Schwarz	
10	325110439/0	1	Yellow Grass-Catcher Cover	Parte Sup.Sacco Giallo	Sac, Partie Superieure Jaune	Korb Oberteil Gelb	
10	325110447/0	1	Green Grass-Catcher Cover	Copertura Sacco Verde	Couvre-Bac Vert	Sackkappe Grün	
11	325207195/0	1	Handle Cover	Coperchio Impugnatura	Couvercle Poignée	Deckel Griff	
15	182105947/0	1	Grasscatcher	Confezione Sacco	Bac	Sack	
21	382180123/0	1	Screw	Vite	Vis	Schraube	



Engine GGP							
POS	CODE	Q.TY	DESCRIPTION	DESCRIZIONE	DESCRIPTION	BESCHREIBUNG	NOTES
1	125795000/1	1	Fuel Cap	Tappo Miscela	Bouhcon Mélange	Deckel Treibstoff	
2	125943010/0	4	Screw	Vite	Vis	Schraube	
3	325735126/0	1	Tank	Serbatoio	Réservoir à carburant	Treibstofftank	
4	118375051/1	4	Fair Led	Fascetta	Collier	Rohrschelle	
5	325869057/0	1	Connecting Tube	Tube Collegamento	Tube De Connexion	Verbindungsrohr	
11	112735108/1	4	Screw	Vite	Vis	Schraube	
12	127598060/0	1	Oil Discharge Extension	Oil Discharge Extension	Oil Discharge Extension	Oil Discharge Extension	
13	118401001/1	1	Oil Seal	Anello Di Tenuta	Anneau De Tenue	Dichtring	
14	118737849/0	1	Plug	Tappo	Bouchon	Stopfen	
15	325108044/1	1	Conveyor	Convogliatore	Convoyeur	Konveyor	
21	112792611/0	2	Screw	Vite	Vis	Schraube	
22	112540260/0	2	Grower	Grower	Grower	Federring	
23	382598045/0	1	Muffler Protection	Protezione Silenziatore	Protection Silencieux	Auspuffschutz	
24	182750010/0	1	Muffler	Silenziatore	Silencieux	Set Schalldämpfer	
25	112360425/0	2	Nut	Dado	Ecrou	Mutter	
26	112792611/0	2	Screw	Vite	Vis	Schraube	
27	112540260/0	2	Grower	Grower	Grower	Federring	
28	118738231/1	1	Exhaust Tube	Tubo Scarico	Tube Echappement	Abgasrohr	
29	112737450/0	2	Screw	Vite	Vis	Schraube	
30	112540260/0	2	Grower	Grower	Grower	Federring	
35	325394531/0	1	Knob	Manopola	Poignee	Knopf	
36	182000215/0	1	Accelerator	Acceleratore	Accelérateur	Gas Zug	
37	112726389/0	1	Screw	Vite	Vis	Schraube	
38	112290800/0	1	Hexagonal Nut	Dado	Ecrou	Mutter	
39	112726389/0	2	Screw	Vite	Vis	Schraube	
40	112540020/0	2	Washer	Rosetta	Rondelle	Scheibe	
41	112521310/0	2	Washer	Rosetta	Rondelle	Scheibe	
42	114363697/0	1	Label	Etichetta	Etiquette	Etikett	
51	118736111/0	1	Starter Relay	Relé Avviamento	Relais D'Allumage	Anlassrelais	
52	112360352/0	2	Nut	Dado	Ecrou	Mutter	
53	125065002/0	1	Cable	Cable	Cable	Cable	
54	118564864/1	1	Protection	Protezione	Protection	Schutz	
55	112790781/0	1	Screw	Vite	Vis	Schraube	
56	112154510/0	2	Nut	Dado	Ecrou	Mutter	

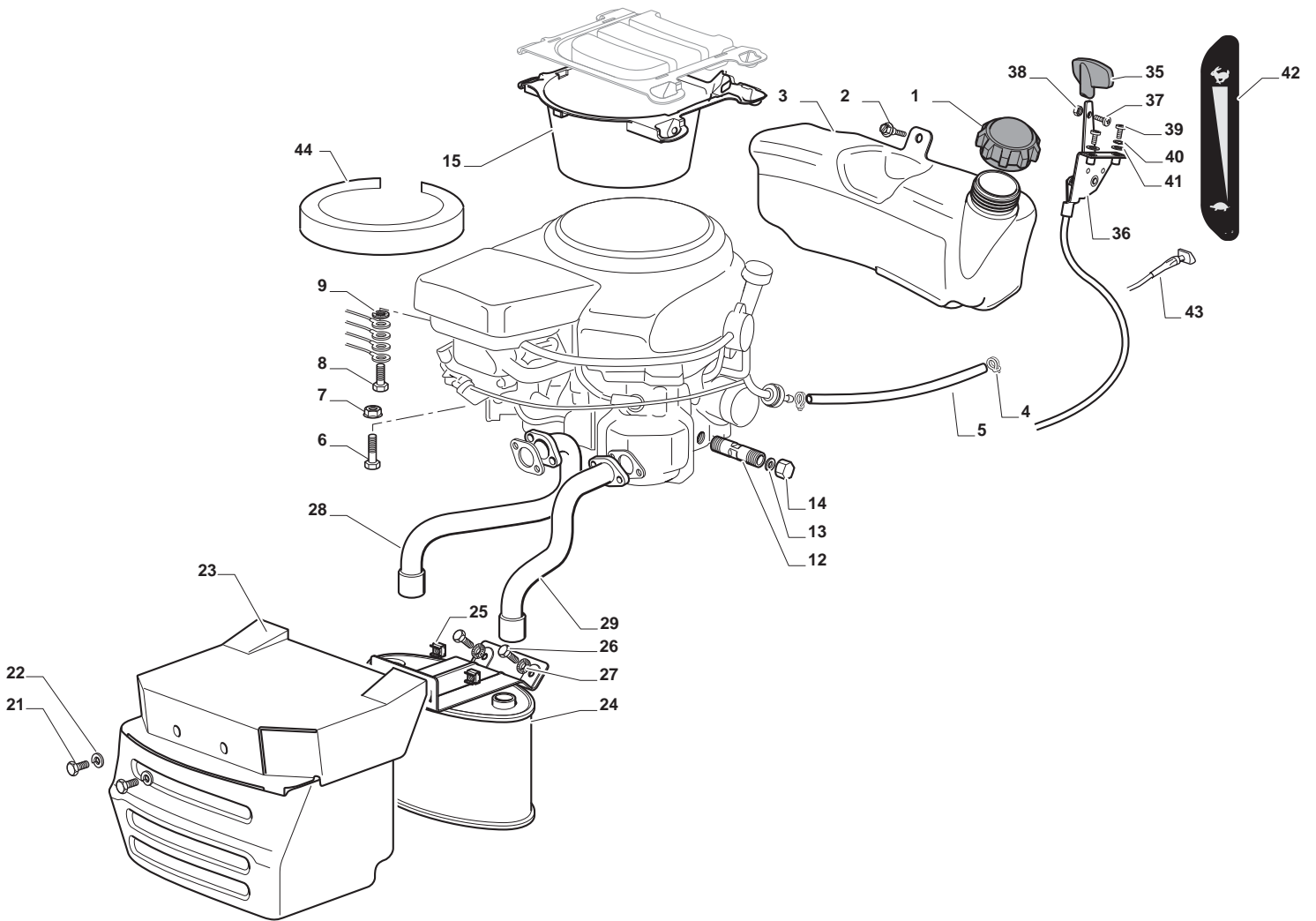


Engine B&S 13,5 hp							
POS	CODE	Q.TY	DESCRIPTION	DESCRIZIONE	DESCRIPTION	BESCHREIBUNG	NOTES
1	125795000/1	1	Fuel Cap	Tappo Miscela	Bouhcon Mélange	Deckel Treibstoff	
2	125943010/0	4	Screw	Vite	Vis	Schraube	
3	325735126/0	1	Tank	Serbatoio	Réservoir à carburant	Treibstofftank	
4	118375051/1	4	Fair Led	Fascetta	Collier	Rohrschelle	
5	325869057/0	1	Connecting Tube	Tube Collegamento	Tube De Connexion	Verbindungsrohr	
11	112735108/1	3	Screw	Vite	Vis	Schraube	
12	1134-5827-01	1	Oil Drain Assy	Oil Drain Assy	Oil Drain Assy	Oil Drain Assy	
15	325108044/1	1	Conveyor	Convogliatore	Convoyeur	Konveyor	
21	112792611/0	2	Screw	Vite	Vis	Schraube	
22	112540260/0	2	Grower	Grower	Grower	Federring	
23	382598047/0	1	Muffler Protection	Muffler Protection	Muffler Protection	Muffler Protection	
24	182750010/0	1	Muffler	Silenziatore	Silencieux	Set Schalldämpfer	
25	112360425/0	2	Nut	Dado	Ecrou	Mutter	
26	112792611/0	2	Screw	Vite	Vis	Schraube	
27	112540260/0	2	Grower	Grower	Grower	Federring	
28	118738224/0	1	Exhaust Conn. Tube Tc B&S	Raccordo Scarico	Connexion Echappement	Auspuffanschluss	
29	112737450/0	2	Screw	Vite	Vis	Schraube	
30	112540260/0	2	Grower	Grower	Grower	Federring	
31	112691115/0	1	Screw	Vite	Vis	Schraube	
32	112154210/0	3	Self-Locking Nut	Dado Autobloccante	Écrou auto-bloquant	Selbstsichernde Mutter	
35	325394531/0	1	Knob	Manopola	Poignee	Knopf	
36	182000216/0	1	Accelerator	Acceleratore	Accelérateur	Gas Zug	
37	112726389/0	1	Screw	Vite	Vis	Schraube	
38	112290800/0	1	Hexagonal Nut	Dado	Ecrou	Mutter	
39	112726389/0	2	Screw	Vite	Vis	Schraube	
40	112540020/0	2	Washer	Rosetta	Rondelle	Scheibe	
41	112521310/0	2	Washer	Rosetta	Rondelle	Scheibe	
42	114363697/0	1	Label	Etichetta	Étiquette	Etikett	
51	118736111/0	1	Starter Relay	Relé Avviamento	Relais D'Allumage	Anlassrelais	
52	112360352/0	2	Nut	Dado	Ecrou	Mutter	
53	125065002/0	1	Cable	Cable	Cable	Cable	
54	118564864/1	1	Protection	Protezione	Protection	Schutz	
55	112790781/0	1	Screw	Vite	Vis	Schraube	
56	112154510/0	2	Nut	Dado	Ecrou	Mutter	



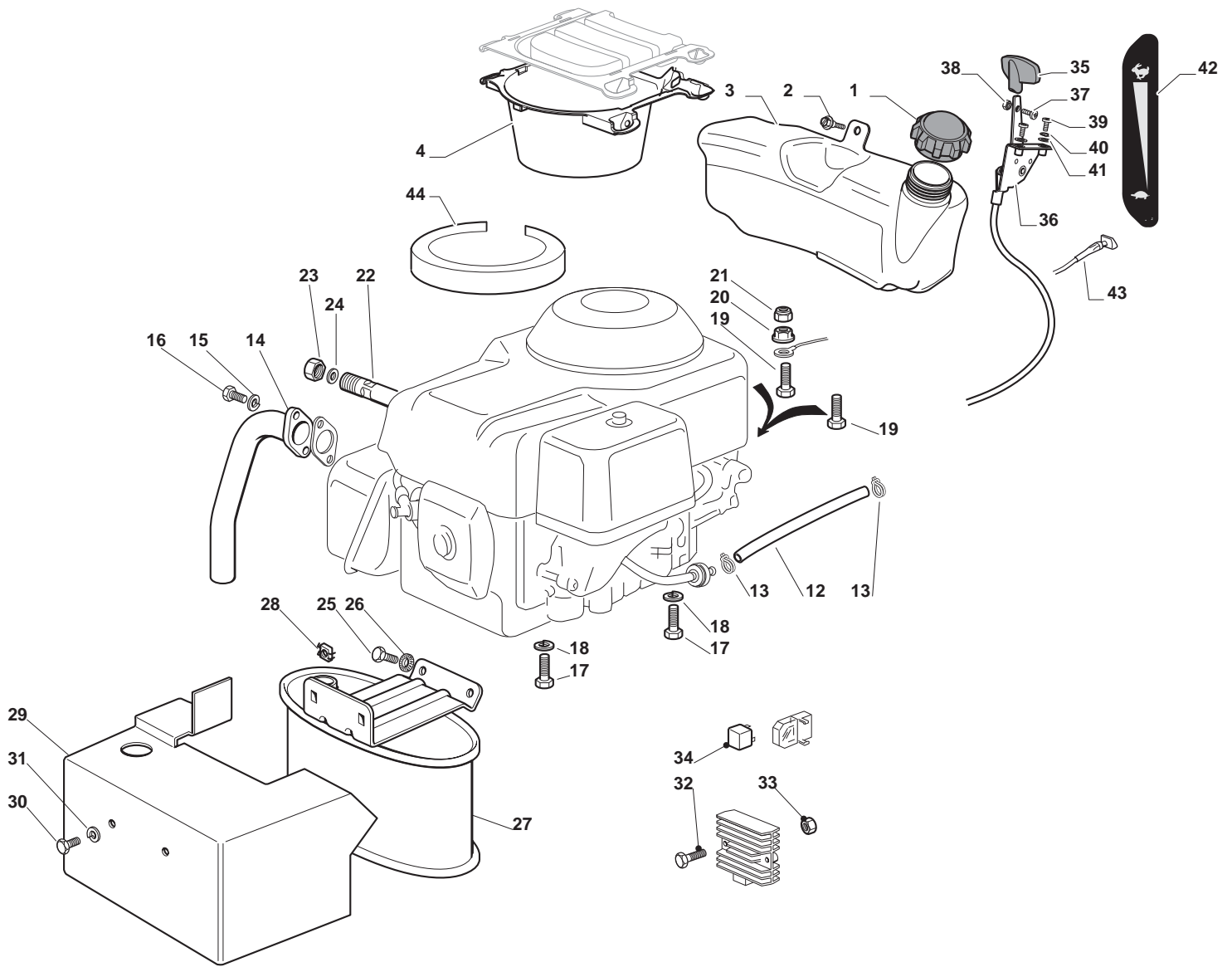
Engine B&S 16.5 - 18.5 hp

POS	CODE	Q.TY	DESCRIPTION	DESCRIZIONE	DESCRIPTION	BESCHREIBUNG	NOTES
1	125795000/1	1	Fuel Cap	Tappo Miscela	Bouhcon Mélange	Deckel Treibstoff	
2	125943010/0	4	Screw	Vite	Vis	Schraube	
3	325735126/0	1	Tank	Serbatoio	Réservoir à carburant	Treibstofftank	
4	118375051/1	4	Fair Led	Fascetta	Collier	Rohrschelle	
5	325869057/0	1	Connecting Tube	Tubo Collegamento	Tube De Connexion	Verbindungsrohr	
11	112735108/1	4	Screw	Vite	Vis	Schraube	
12	127598060/0	1	Self-Locking Nut	Dado Autobloccante	Écrou auto-bloquant	Selbstsichernde Mutter	
13	118401001/1	1	Screw	Vite	Vis	Schraube	
14	118737849/0	1	Grower	Grower	Grower	Federring	
15	325108044/1	1	Self-Locking Nut	Dado Autobloccante	Écrou auto-bloquant	Selbstsichernde Mutter	
21	112792611/0	2	Oil Drain Assy	Oil Drain Assy	Oil Drain Assy	Oil Drain Assy	
22	112540260/0	2	Conveyor	Convogliatore	Convoyeur	Konveyor	
23	382598045/0	1	Screw	Vite	Vis	Schraube	
24	182750010/0	1	Grower	Grower	Grower	Federring	
25	112360425/0	2	Muffler Protection	Muffler Protection	Muffler Protection	Muffler Protection	
26	112792611/0	2	Muffler	Silenziatore	Silencieux	Set Schalldämpfer	
27	112540260/0	2	Nut	Dado	Écrou	Mutter	
28	118738231/1	1	Screw	Vite	Vis	Schraube	
29	112737450/0	2	Grower	Grower	Grower	Federring	
30	112540260/0	2	Discharged Connect.Tube	Discharged Connect.Tube	Discharged Connect.Tube	Discharged Connect.Tube	
35	325394531/0	1	Screw	Vite	Vis	Schraube	
36	182000215/0	1	Grower	Grower	Grower	Federring	
37	112726389/0	1	Knob	Manopola	Poignee	Knopf	
38	112290800/0	1	Accelerator	Acceleratore	Accelérateur	Gas Zug	
39	112726389/0	2	Screw	Vite	Vis	Schraube	
40	112540020/0	2	Hexagonal Nut	Dado	Écrou	Mutter	
41	112521310/0	2	Screw	Vite	Vis	Schraube	
42	114363697/0	1	Washer	Rosetta	Rondelle	Scheibe	
51	118736111/0	1	Washer	Rosetta	Rondelle	Scheibe	
52	112360352/0	2	Label	Etichetta	Étiquette	Etikett	
53	125065002/0	1	Starter Relay	Relé Avviamento	Relais D'Allumage	Anlassrelais	
54	118564864/1	1	Nut	Dado	Écrou	Mutter	
55	112790781/0	1	Cable	Cable	Cable	Cable	
56	112154510/0	2	Protection	Protezione	Protection	Schutz	
55	112790781/0	1	Screw	Vite	Vis	Schraube	
56	112154510/0	2	Nut	Dado	Écrou	Mutter	



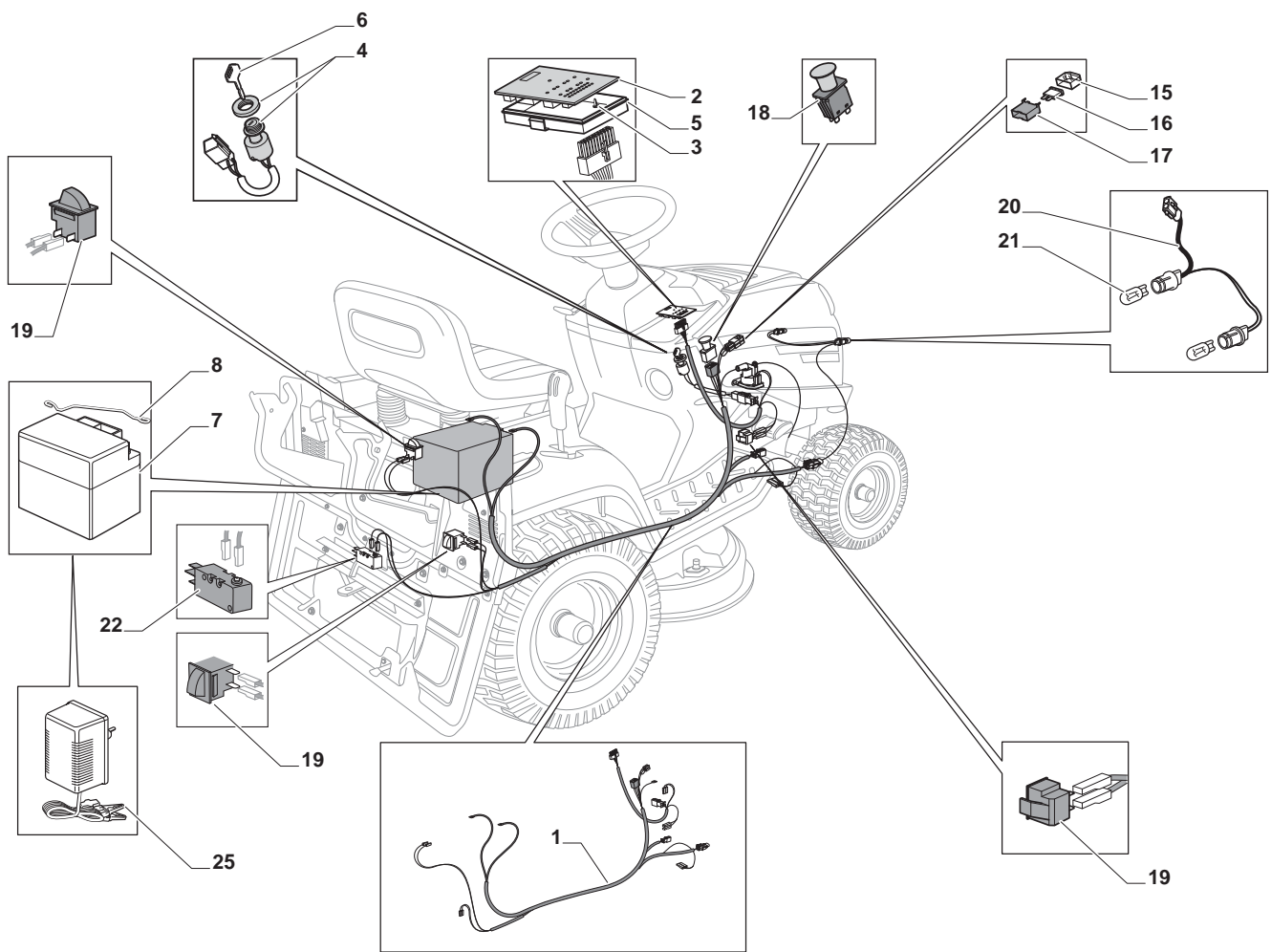
Engine Honda GCV 390

POS	CODE	Q.TY	DESCRIPTION	DESCRIZIONE	DESCRIPTION	BESCHREIBUNG	NOTES
1	125795000/1	1	Fuel Cap	Tappo Miscela	Bouhcon Mélange	Deckel Treibstoff	
2	125943010/0	4	Screw	Vite	Vis	Schraube	
3	325735126/0	1	Tank	Serbatoio	Réservoir à carburant	Treibstofftank	
4	325108044/1	1	Conveyor	Convogliatore	Convoyeur	Konveyor	
12	325869057/0	1	Connecting Tube	Tube Collegamento	Tube De Connexion	Verbindungsrohr	
13	118375051/1	2	Fair Led	Fascetta	Collier	Rohrschelle	
14	112583500/0	1	Grower	Grower	Grower	Federring	
15	112583500/0	2	Grower	Grower	Grower	Federring	
16	112793102/0	2	Screw	Vite	Vis	Schraube	
17	112735802/0	2	Screw	Vite	Vis	Schraube	
18	112583500/0	2	Grower	Grower	Grower	Federring	
19	112691100/0	2	Screw	Vite	Vis	Schraube	
20	112154210/0	2	Self-Locking Nut	Dado Autobloccante	Écrou auto-bloquant	Selbstsichernde Mutter	
21	112155000/0	1	Nut	Dado	Ecrou	Mutter	
22	127598060/0	1	Oil Discharge Extension	Oil Discharge Extension	Oil Discharge Extension	Oil Discharge Extension	
23	118737849/0	1	Plug	Tappo	Bouchon	Stopfen	
24	118401001/1	1	Oil Seal	Anello Di Tenuta	Anneau De Tenue	Dichtring	
25	112792611/0	2	Screw	Vite	Vis	Schraube	
26	112540260/0	2	Grower	Grower	Grower	Federring	
27	182750010/0	1	Muffler	Silenziatore	Silencieux	Set Schalldämpfer	
28	112360425/0	2	Nut	Dado	Ecrou	Mutter	
29	382598003/1	1	Muffler Protection	Protezione Silenziatore	Protection Silencieux	Auspuffschutz	
30	125943012/0	2	Screw	Vite	Vis	Schraube	
31	112583500/0	2	Grower	Grower	Grower	Federring	
32	112791213/1	2	Screw	Vite	Vis	Schraube	
33	112154510/0	2	Nut	Dado	Ecrou	Mutter	
34	133567000/0	1	Relay	Relay	Relay	Relay	
35	325394531/0	1	Knob	Manopola	Poignee	Knopf	
36	184000251/1	1	Accelerator	Acceleratore	Accelérateur	Gas Zug	
37	112726389/0	1	Screw	Vite	Vis	Schraube	
38	112290800/0	1	Hexagonal Nut	Dado	Ecrou	Mutter	
39	112726389/0	2	Screw	Vite	Vis	Schraube	
40	112540020/0	2	Washer	Rosetta	Rondelle	Scheibe	
41	112521310/0	2	Washer	Rosetta	Rondelle	Scheibe	
42	114363697/0	1	Label	Etichetta	Etiquette	Etikett	
43	125090006/0	1	Choke Control	Comando Starter	Commande Starter	Starter Betaetigung	
44	125730023/0	1	Intake Separator	Intake Separator	Intake Separator	Intake Separator	

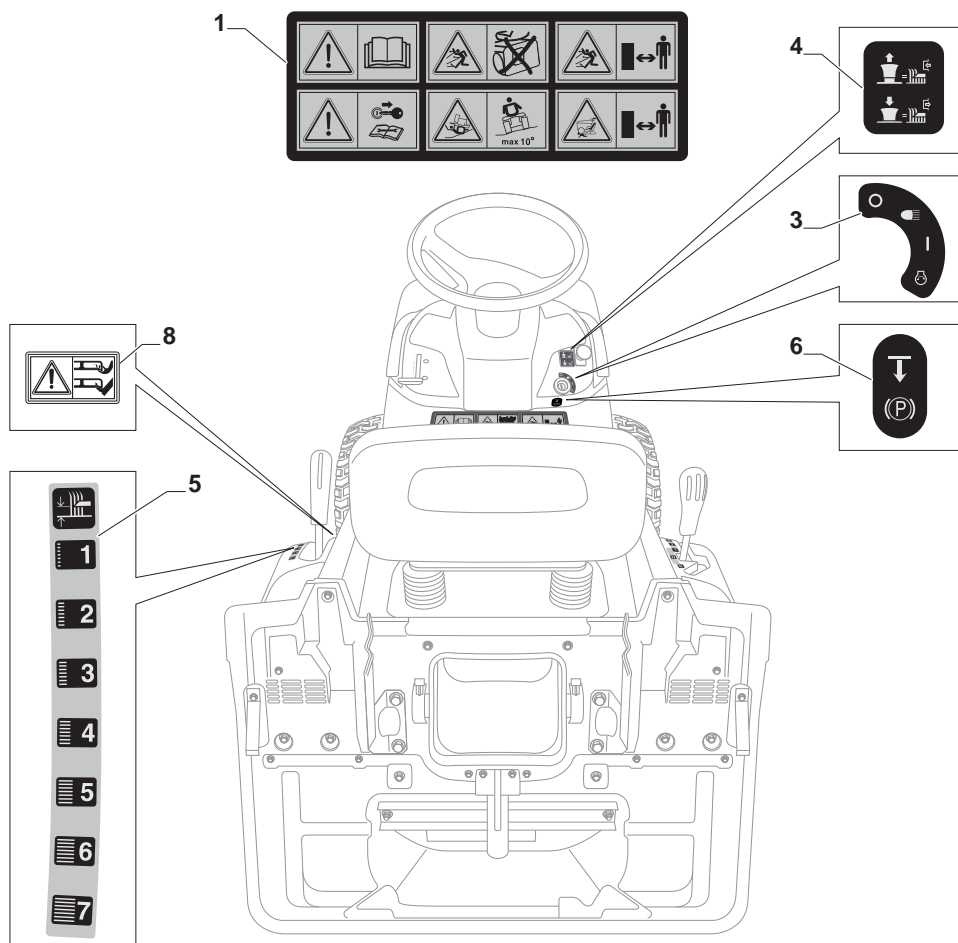


Engine Honda GCV 530

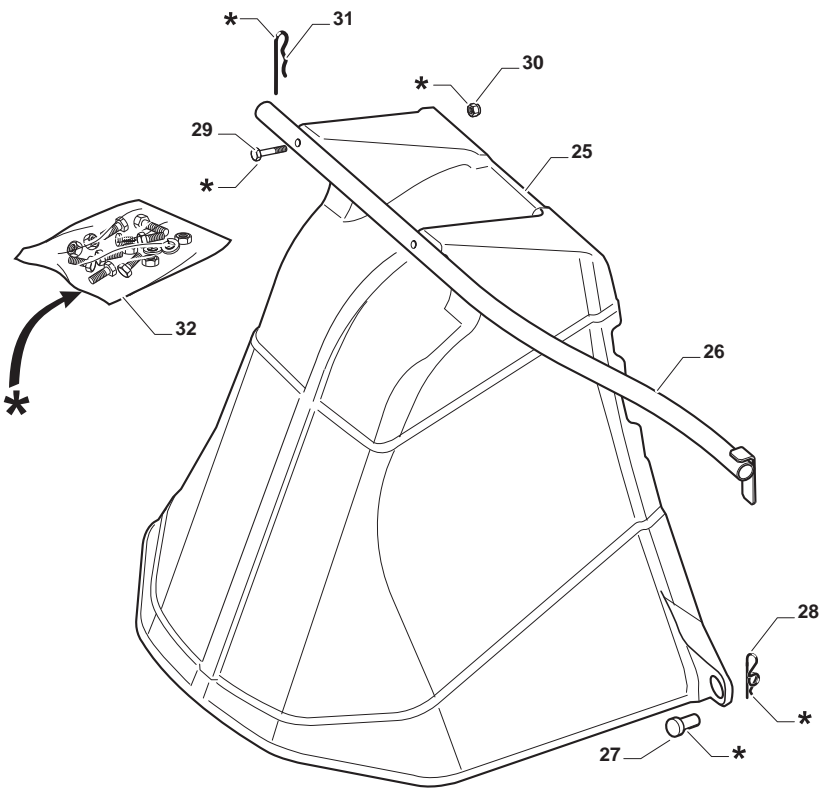
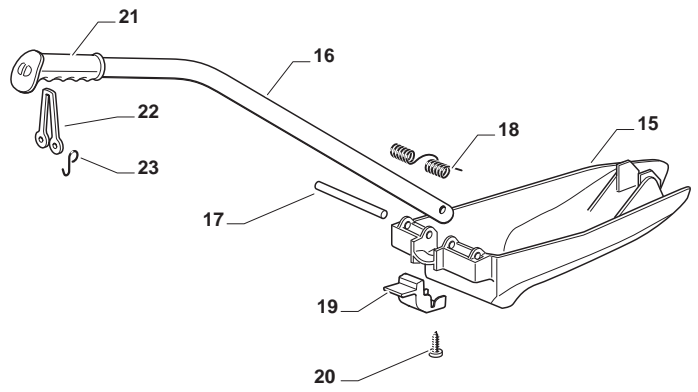
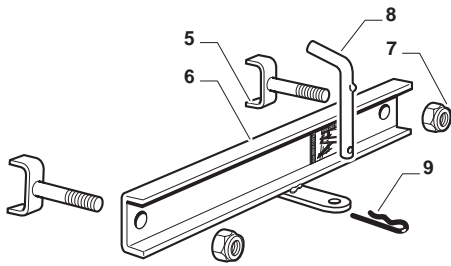
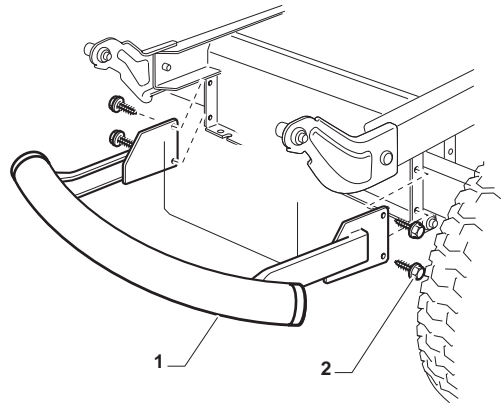
POS	CODE	Q.TY	DESCRIPTION	DESCRIZIONE	DESCRIPTION	BESCHREIBUNG	NOTES
1	125795000/1	1	Fuel Cap	Tappo Miscela	Bouhcon Mélange	Deckel Treibstoff	
2	125943010/0	4	Screw	Vite	Vis	Schraube	
3	325735126/0	1	Tank	Serbatoio	Réservoir à carburant	Treibstofftank	
4	118375051/1	2	Fair Led	Fascetta	Collier	Rohrschelle	
5	325869057/0	1	Connecting Tube	Tube Collegamento	Tube De Connexion	Verbindungsrohr	
6	112691115/0	4	Screw	Vite	Vis	Schraube	
7	112154210/0	4	Self-Locking Nut	Dado Autobloccante	Écrou auto-bloquant	Selbstsichernde Mutter	
8	112735599/0	1	Screw	Vite	Vis	Schraube	
9	112540260/0	1	Grower	Grower	Grower	Federring	
12	125598052/0	1	Oil Discharge Extention	Prolunga Scarico Olio	Rallonge Dechargement Huile	Öl Abfluss	
13	118401001/1	1	Oil Seal	Anello Di Tenuta	Anneau De Tenue	Dichtring	
14	118737849/0	1	Plug	Tappo	Bouchon	Stopfen	
15	325108045/1	1	Conveyor	Convogliatore	Convoyeur	Konveyor	
21	112792611/0	2	Screw	Vite	Vis	Schraube	
22	112540260/0	2	Grower	Grower	Grower	Federring	
23	382598049/0	1	Muffler Protection	Muffler Protection	Muffler Protection	Muffler Protection	
24	182750003/0	1	Muffler Assy	Ass. Silenziatore	Silencieux	Set Schalldämpfer	
25	112360425/0	2	Nut	Dado	Ecrou	Mutter	
26	112792611/0	2	Screw	Vite	Vis	Schraube	
27	112540260/0	2	Grower	Grower	Grower	Federring	
28	118738221/0	1	Exhaust Tube Right	Tube Scarico Destro	Tube Echappement Droit	Abgasungrohr, Rechte	
29	118738222/0	1	Right Exhaust Connection	Raccordo Scarico Destro	Connexion Echappement Droite	Auspuffanschluss, Rechte	
35	325394531/0	1	Knob	Manopola	Poignee	Knopf	
36	182000217/0	1	Accelerator	Acceleratore	Accelérateur	Gas Zug	
37	112726389/0	1	Screw	Vite	Vis	Schraube	
38	112290800/0	1	Hexagonal Nut	Dado	Ecrou	Mutter	
39	112726389/0	2	Screw	Vite	Vis	Schraube	
40	112540020/0	2	Washer	Rosetta	Rondelle	Scheibe	
41	112521310/0	2	Washer	Rosetta	Rondelle	Scheibe	
42	114364617/0	1	Label	Etichetta	Étiquette	Etikett	
43	125090006/0	1	Choke Control	Choke Control	Choke Control	Choke Control	
44	125730023/0	1	Intake Separator	Intake Separator	Intake Separator	Intake Separator	



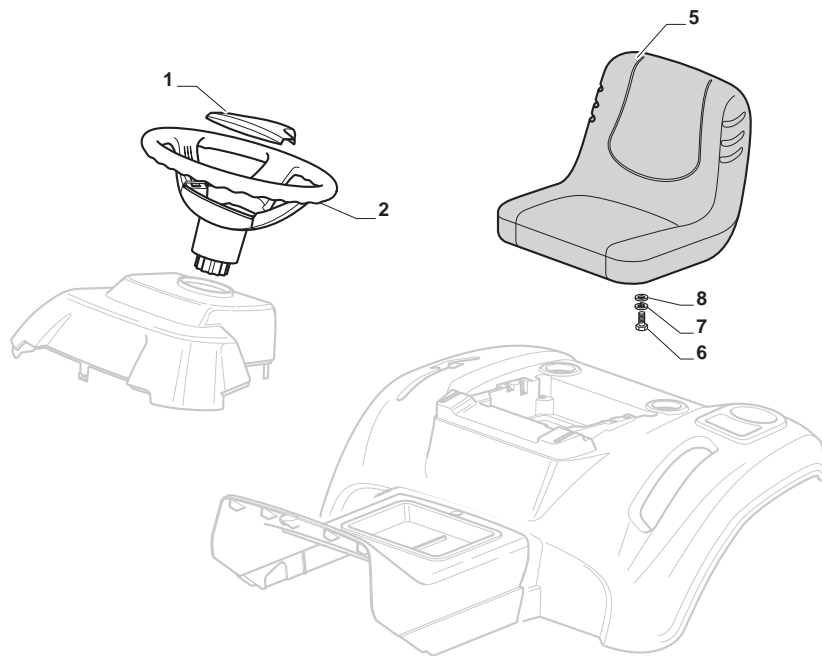
Electrical Parts							
POS	CODE	Q.TY	DESCRIPTION	DESCRIZIONE	DESCRIPTION	BESCHREIBUNG	NOTES
1	182040181/0	1	Cables Ass.Y	Cablaggio	Ens. Cablages	Kabelsatz	
2	125722437/0	1	Electronic Card	Electronic Card	Electronic Card	Electronic Card	
3	112735101/0	3	Screw	Vite	Vis	Schraube	
4	118450075/0	1	Starting Switch	Interruttore Avviamento	Interrupteur Demarrage	Schalter	
5	325600090/0	1	Card Protection	Card Protection	Card Protection	Card Protection	
6	118210023/0	1	Starting Key	Chiave Avviamento	Clef A Demarrage	Schlüssel Für Start	
7	118120002/1	1	Battery	Batteria	Batterie	Batterie	
8	125430265/1	1	Spring	Molla	Ressort	Feder	
15	133215000/0	2	Cover	Coperchio Membrana	Couvercle Membrane	Deckel Membran	
16	133340036/0	1	Fuse 25 A	Fusibile 25 A	Fusible 25 A	Sicherung 25 A	
16	133340040/0	1	Lamellar Fusible 10A	Lamellar Fusible 10A	Lamellar Fusible 10A	Lamellar Fusible 10A	
17	133500007/0	2	Fuse Carrier	Portafusibile	Tableau De Fusible	Sicherunghalter	
18	118450074/0	1	Clutch Switch	Interruttore Frizione	Interrupteur Embrajage	Kupplung Schalter	
19	119410613/0	3	Micro Switch	Micro Interruttore	Microinterrupteur	Mikroschalter	
20	182040186/0	1	Cable	Cable	Cable	Cable	
21	118459100/0	2	Lamp For Lights	Lamp For Lights	Lamp For Lights	Lamp For Lights	
22	119410605/1	1	Micro Switch	Micro Interruttore	Microinterrupteur	Mikroschalter	
25	182180090/0	1	Battery Charger	Carica Batteria	Chargeur De Batterie	Batterieladegerät	CE
25	182180091/0	1	Battery Charger (Uk)	Carica Batterie (Uk)	Chargeur Batteries (Uk)	Batterieladegerät (Uk)	UK



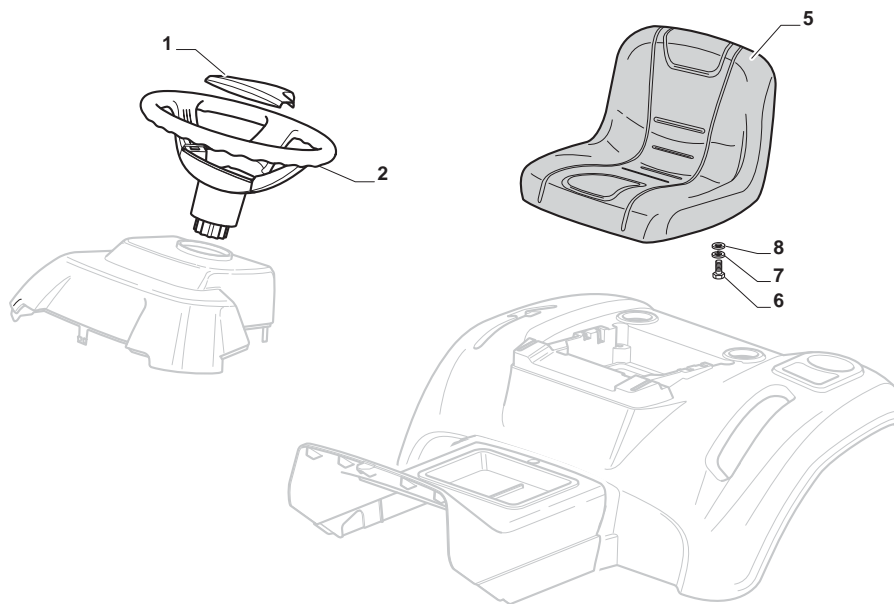
Labels							
POS	CODE	Q.TY	DESCRIPTION	DESCRIZIONE	DESCRIPTION	BESCHREIBUNG	NOTES
1	114361553/1	1	Label	Etichetta	Etiquette	Etikett	
3	114363699/0	1	Label	Etichetta	Etiquette	Etikett	
4	114361438/0	1	Label	Etichetta	Etiquette	Etikett	
5	114363701/0	1	Label	Etichetta	Etiquette	Etikett	
6	114363700/0	1	Label	Etichetta	Etiquette	Etikett	
8	114356699/1	1	Label	Etichetta	Etiquette	Etikett	



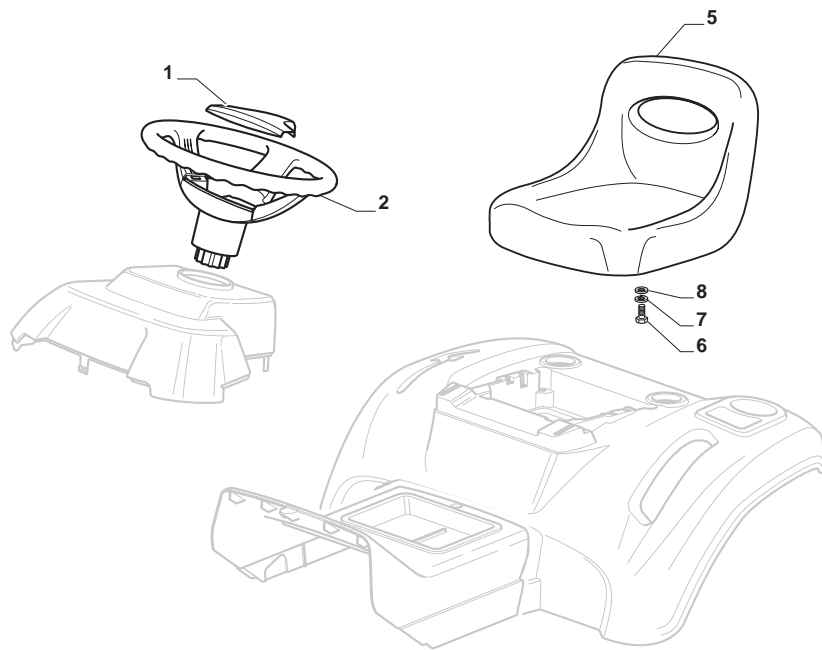
Optionals On Request							
POS	CODE	Q.TY	DESCRIPTION	DESCRIZIONE	DESCRIPTION	BESCHREIBUNG	NOTES
1	382869038/0	1	Muffler Protection	Muffler Protection	Muffler Protection	Muffler Protection	
2	125943008/0	4	Screw	Vite	Vis	Schraube	
5	382650211/0	2	Stiffening	Rinforzo	Renforcement	Verstaerkung	
6	382033119/0	1	Tow Bar Assy	Ass. Barra Traino	Tow Bar Assy	Tow Bar Assy	
7	112155000/0	2	Nut	Dado	Ecrou	Mutter	
8	125510021/1	1	Hitch Pin	Perno	Pivot	Bolzen	
9	124487999/0	1	Spring Pin	Coppiglia	Goupille	Split	
15	325140104/0	1	Deflector	Deflettore	Deflecteur	Abweiser	
16	325394021/0	1	Handle	Corrimano	Main-Courante	Handlauf	
17	125510077/0	1	Pin	Perno	Pivot	Bolzen	
18	125430245/0	1	Spring	Molla	Ressort	Feder	
19	325547320/0	1	Plate	Piastra	Plaque	Platte	
20	112735403/0	1	Screw	Vite	Vis	Schraube	
21	325280000/1	1	Handgrip	Impugnatura	Poignée	Handgriff	
22	125840011/1	1	Tie Rod	Tie Rod	Tie Rod	Tie Rod	
23	125253004/0	2	Mulch.Kit Fixing Hook	Gancio Fissaggio	Crochet Fixage	MulchingHaken	
25	325600093/0	1	Ejection Guard	Protezione Uscita	Protection Sortie	Auswurfschutz	
26	382869044/0	1	Support	Supporto	Support	Halter	
27	125510022/1	2	Pin	Perno	Pivot	Bolzen	
28	124487998/0	2	Cotter Pin	Coppiglia	Goupille	Split	
29	112689515/0	2	Screw	Vite	Vis	Schraube	
30	112154510/0	2	Nut	Dado	Ecrou	Mutter	
31	124487999/0	1	Spring Pin	Coppiglia	Goupille	Split	
32	382180028/0	1	Screws Outfit	Dotazione Viteria	Ensemble Des Vis	Schraubenausrüstung	



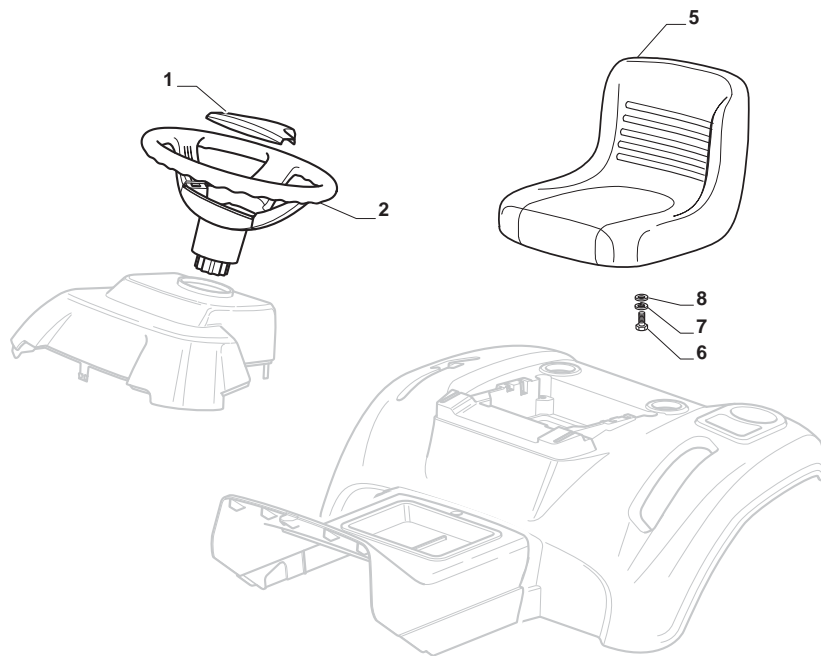
Seat & Steering Wheel							
POS	CODE	Q.TY	DESCRIPTION	DESCRIZIONE	DESCRIPTION	BESCHREIBUNG	NOTES
1	325580503/0	1	Round Steering Plate	Placca Volante Tonda	Plaque Volant	Lenkradplatte rund	
1	325580504/0	1	Rectangular Steering Plate	Placca Volante Rettangolare	Plaque Volant Rectangulaire	Lenkradplatte Rechteckig	
2	325961219/0	1	Steering Wheel	Volante	Volant	Lenkrad	
5	125722463/0	1	Seat	Sedile	Siege	Sitz	
6	112792611/0	4	Screw	Vite	Vis	Schraube	
7	112540260/0	4	Grower	Grower	Grower	Federring	
8	112523060/0	4	Washer	Rosetta	Rondelle	Scheibe	



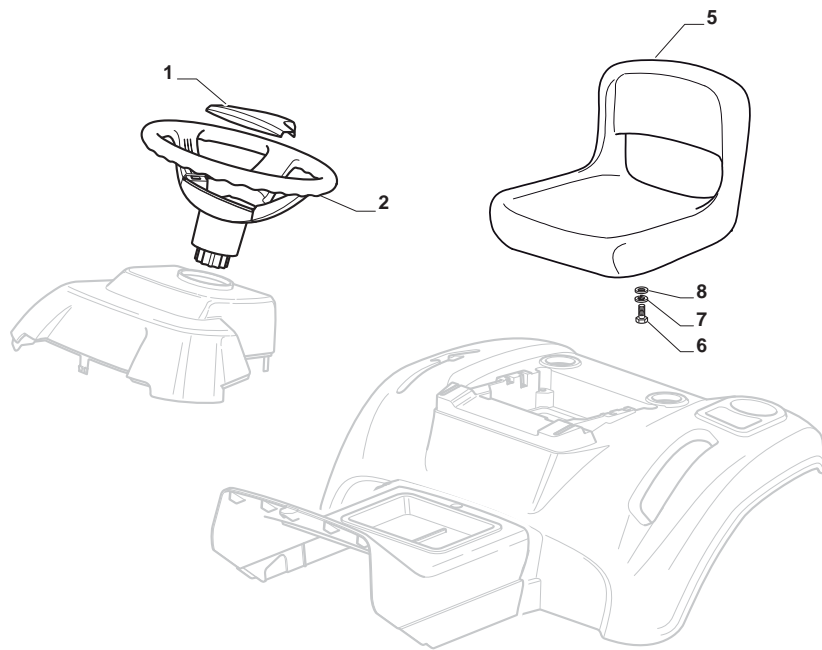
Seat & Steering Wheel							
POS	CODE	Q.TY	DESCRIPTION	DESCRIZIONE	DESCRIPTION	BESCHREIBUNG	NOTES
1	325580503/0	1	Round Steering Plate	Placca Volante Tonda	Plaque Volant	Lenkradplatte rund	
1	325580504/0	1	Rectangular Steering Plate	Placca Volante Rettangolare	Plaque Volant Rectangulaire	Lenkradplatte Rechteckig	
2	325961219/0	1	Steering Wheel	Volante	Volant	Lenkrad	
5	125722472/0	1	Seat	Sedile	Siege	Sitz	
6	112792611/0	4	Screw	Vite	Vis	Schraube	
7	112540260/0	4	Grower	Grower	Grower	Federring	
8	112523060/0	4	Washer	Rosetta	Rondelle	Scheibe	



Seat & Steering Wheel							
POS	CODE	Q.TY	DESCRIPTION	DESCRIZIONE	DESCRIPTION	BESCHREIBUNG	NOTES
1	325580503/0	1	Round Steering Plate	Placca Volante Tonda	Plaque Volant	Lenkradplatte rund	
1	325580504/0	1	Rectangular Steering Plate	Placca Volante Rettangolare	Plaque Volant Rectangulaire	Lenkradplatte Rechteckig	
2	325961219/0	1	Steering Wheel	Volante	Volant	Lenkrad	
5	125722453/1	1	Seat	Sedile	Siege	Sitz	
6	112792611/0	4	Screw	Vite	Vis	Schraube	
7	112540260/0	4	Grower	Grower	Grower	Federring	
8	112523060/0	4	Washer	Rosetta	Rondelle	Scheibe	



Seat & Steering Wheel							
POS	CODE	Q.TY	DESCRIPTION	DESCRIZIONE	DESCRIPTION	BESCHREIBUNG	NOTES
1	325580503/0	1	Round Steering Plate	Placca Volante Tonda	Plaque Volant	Lenkradplatte rund	
1	325580504/0	1	Rectangular Steering Plate	Placca Volante Rettangolare	Plaque Volant Rectangulaire	Lenkradplatte Rechteckig	
2	325961219/0	1	Steering Wheel	Volante	Volant	Lenkrad	
5	125722471/0	1	Seat	Sedile	Siege	Sitz	
6	112792611/0	4	Screw	Vite	Vis	Schraube	
7	112540260/0	4	Grower	Grower	Grower	Federring	
8	112523060/0	4	Washer	Rosetta	Rondelle	Scheibe	



Seat & Steering Wheel							
POS	CODE	Q.TY	DESCRIPTION	DESCRIZIONE	DESCRIPTION	BESCHREIBUNG	NOTES
1	325580504/0	1	Steering Plate	Placca Volante	Plaque Volant	Lenkradplatte	
2	325961219/0	1	Steering Wheel	Volante	Volant	Lenkrad	
5	125722456/0	1	Seat	Sedile	Siege	Sitz	
6	112792611/0	4	Screw	Vite	Vis	Schraube	
7	112540260/0	4	Grower	Grower	Grower	Federring	
8	112523060/0	4	Washer	Rondella	Rondelle	Scheibe	