



Green Passion

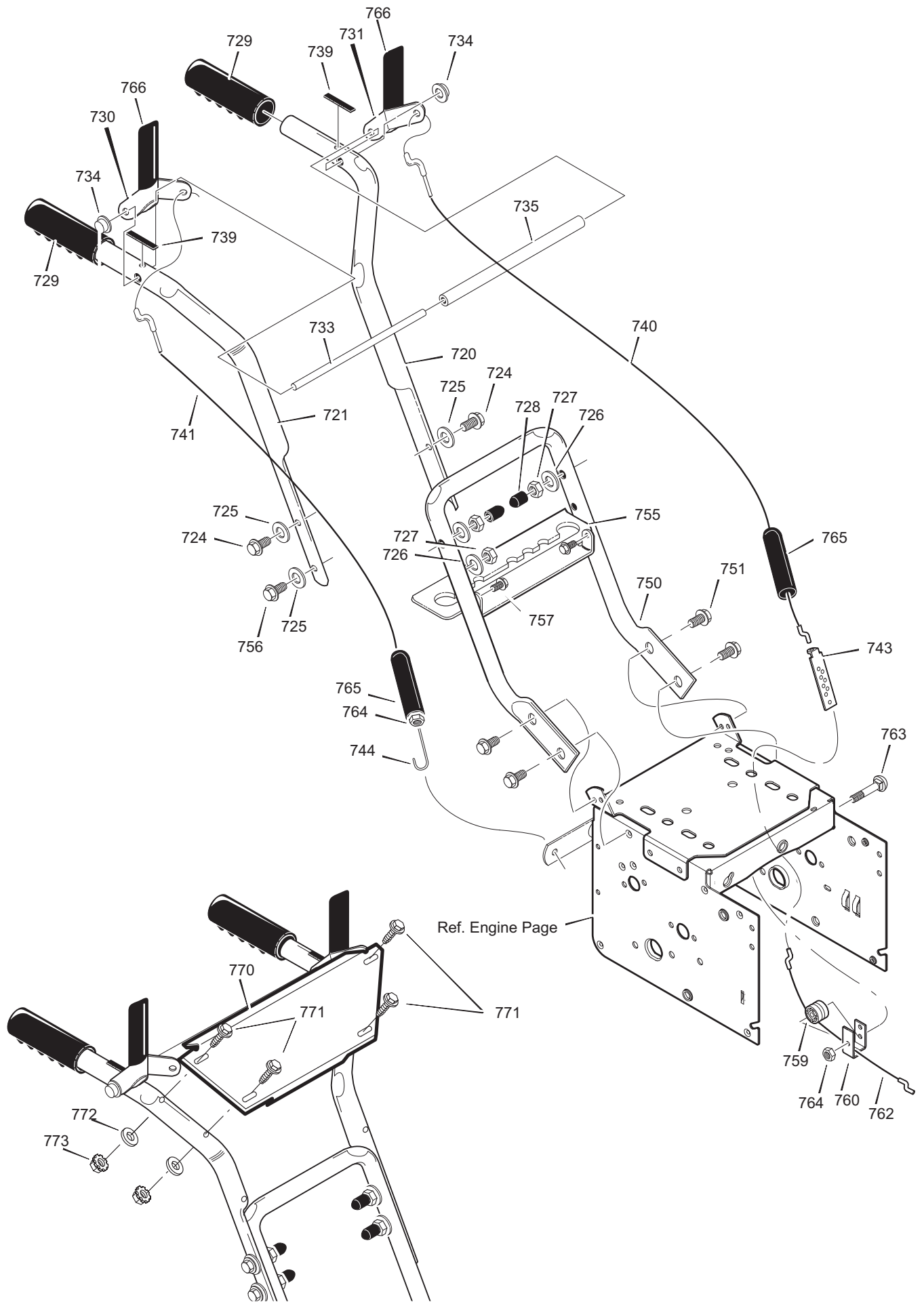
Illustrated Parts List

SN 624-SN 927
Model Year 2008

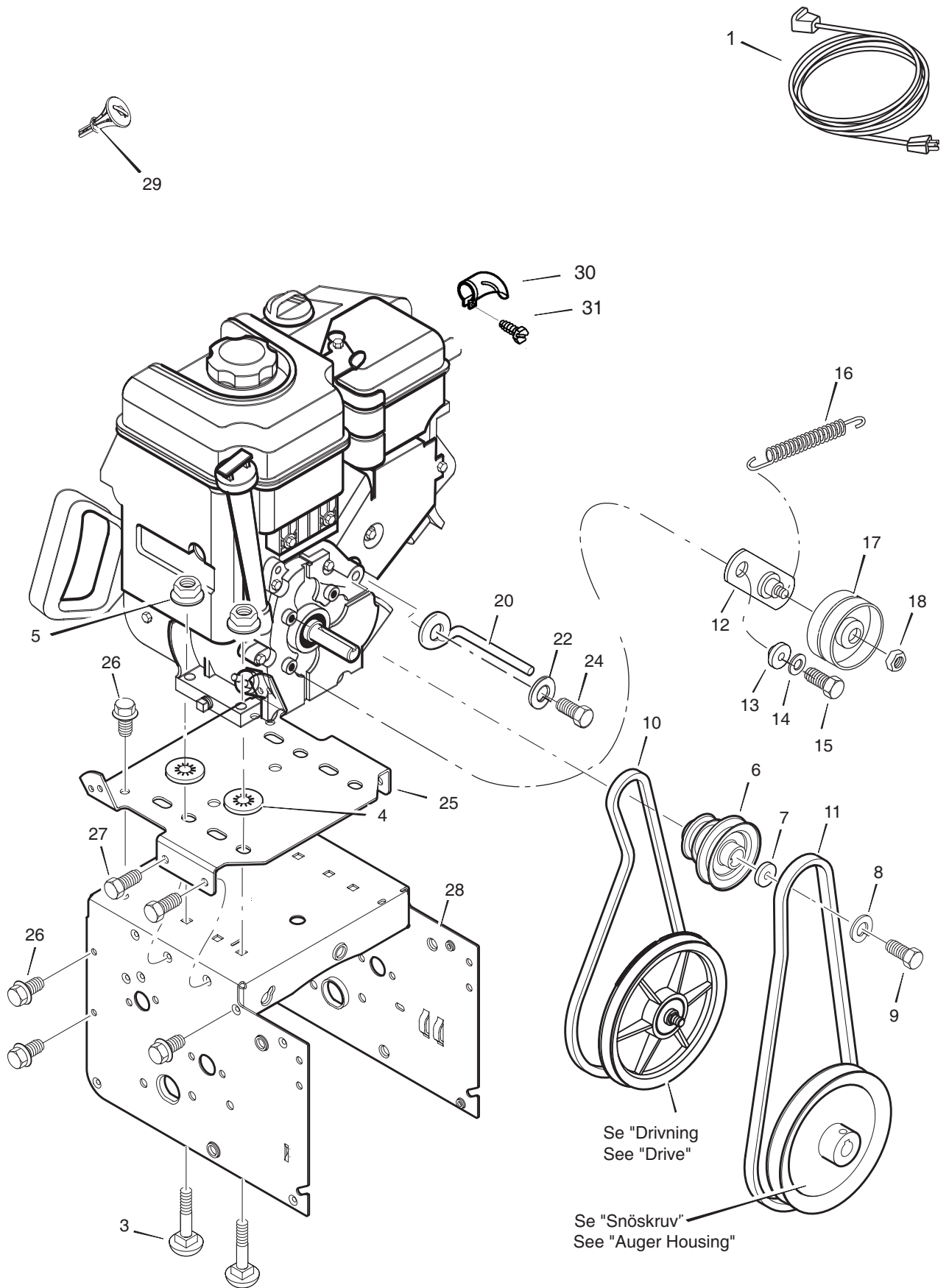
- Use GLOBAL GARDEN PRODUCT Genuine Spare Parts specified in the parts list for repair and/or replacement.
- The contents described in the parts list may change due to improvement.
- The drawings of the spare parts are only indicative and might not represent the part in question exactly.
- The indications "right" - "left" - "front" - "rear" refer to the position of the operator when using the machine.
- When placing orders of parts for repair and/or replacement, make sure that the illustrated parts list is the one applying to the machine's year of manufacture, as shown on the identification plate attached to the machine.

COPYRIGHT by GLOBAL GARDEN PRODUCTS

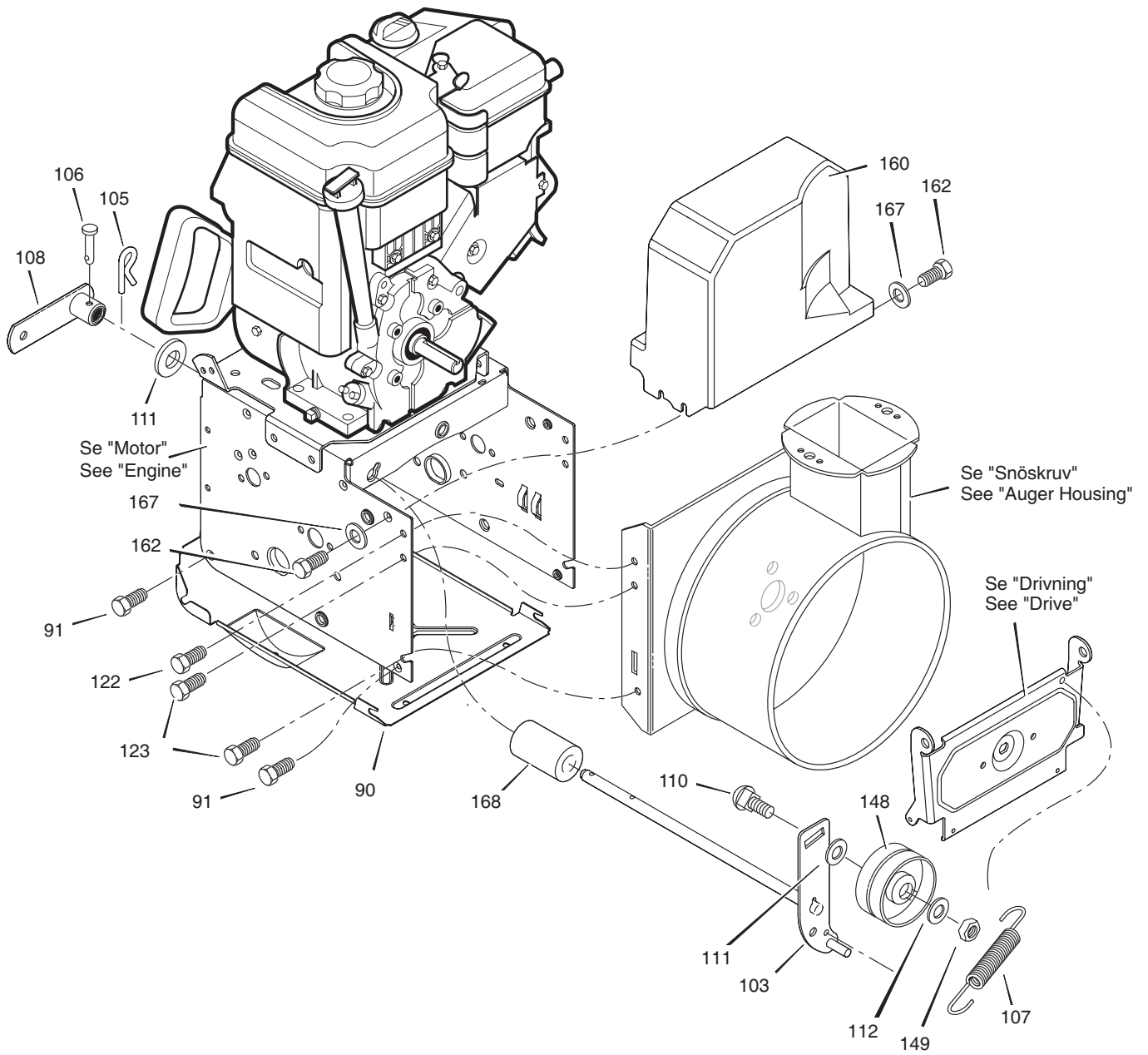
All rights reserved. No part of this material may be reproduced or transmitted, in any form or by any means, electronic or mechanical, including photocopying, recording or by any information storage and retrieval system, without permission in writing from GLOBAL GARDEN PRODUCTS.



| Ausgabe Issue 2007- 24 | | Bild Nr Picture No C103 | | SN 624 SN 927 FÜHRUNGSHOLM | | SN 624 SN 927 HANDLE | | Seite Page 22 | |
|------------------------------|-----------------|-------------------------------|--|----------------------------------|-----------------------------|----------------------------|-------------|---------------------|--|
| Pos. Fig. | Anzahl/Quantity | | | Artikel Nr. Part No | Bezeichnung | Description | Satz Kit | Anmerkung Notes | |
| | 2827 -88 | 2830 -88 | | | | | | | |
| 720 | 1 | 1 | | 1812-2070-01 | Holm- Oberteil, links | Handle- upper, LH | | | |
| 721 | 1 | 1 | | 1812-2071-01 | Holm- Oberteil, rechts..... | Handle- upper, RH..... | | | |
| 724 | 2 | 2 | | 9988-3670-12 | Schraube | Screw..... | | | |
| 725 | 4 | 4 | | 9699-0029-02 | Scheibe | Flat washer..... | | | |
| 726 | 4 | 4 | | 9683-0030-02 | Scheibe..... | Lock washer..... | | | |
| 727 | 4 | 4 | | 1812-1759-01 | Mutter..... | Nut..... | | | |
| 728 | 2 | 2 | | 1812-0941-01 | Knopf..... | Plastic stop | | | |
| 729 | 2 | 2 | | 1812-1775-01 | Griff | Handle grip | | | |
| 730 | 1 | 1 | | 1812-2065-01 | Kupplungsgriff, recht..... | Clutch lever, RH | | | |
| 731 | 1 | 1 | | 1812-2064-01 | Kupplungsgriff, links | Clutch lever, LH | | | |
| 733 | 1 | 1 | | 1812-2063-01 | Welle..... | Pivot rod | | | |
| 734 | 2 | 2 | | 1812-2067-01 | Einrasten | Push- on nut | | | |
| 735 | 1 | 1 | | 1812-2062-01 | Distanz..... | Handle spacer | | | |
| 739 | 2 | 2 | | 1812-0520-01 | Schutz | Protection | | | |
| 740 | 1 | 1 | | 1812-1728-01 | Kupplungsdraht..... | Clutch cable- drive..... | | | |
| 741 | 1 | 1 | | 1812-2068-01 | Regulierdraht..... | Control cable- auger..... | | | |
| 743 | 1 | 1 | | 1133-0977-01 | Drahthalter..... | Cable adjust bracket..... | | | |
| 744 | 1 | 1 | | 1812-0254-01 | Feder | Spring | | | |
| 750 | 1 | 1 | | 1812-1323-01 | Führungsholm- Untert. | Handle- lower | | | |
| 751 | 4 | 4 | | 1812-1833-01 | Schraube | Screw..... | | | |
| 755 | 1 | 1 | | 1812-1398-01 | Schaltlageschiene..... | Gear selector plate | | | |
| 756 | 2 | 2 | | 9988-3651-12 | Schraube | Screw..... | | | |
| 757 | 2 | 2 | | 9988-3516-16 | Schraube | Screw..... | | | |
| 759 | 1 | 1 | | 1812-1205-01 | Spule | Spool | | | |
| 760 | 1 | 1 | | 1812-1702-01 | Halterung..... | Bracket..... | | | |
| 762 | 1 | 1 | | 1812-1727-01 | Regulierdraht- untere..... | Drive cable- lower | | | |
| 763 | 1 | 1 | | 1812-1772-01 | Schraube | Screw..... | | | |
| 764 | 2 | 2 | | 1812-1760-01 | Mutter..... | Nut..... | | | |
| 765 | 2 | 2 | | 1133-0968-01 | Drahthülse..... | Clutch spring boot | | | |
| 766 | 2 | 2 | | 1812-1774-01 | Griff | Grip..... | | | |
| 770 | 1 | 1 | | 1812-2069-01 | Panel | Panel | | | |
| 771 | 4 | 4 | | 1812-1772-01 | Schraube | Screw..... | | | |
| 772 | 4 | 4 | | 9699-0028-02 | Scheibe..... | Flat washer..... | | | |
| 773 | 4 | 4 | | 1812-1760-01 | Mutter..... | Nut..... | | | |

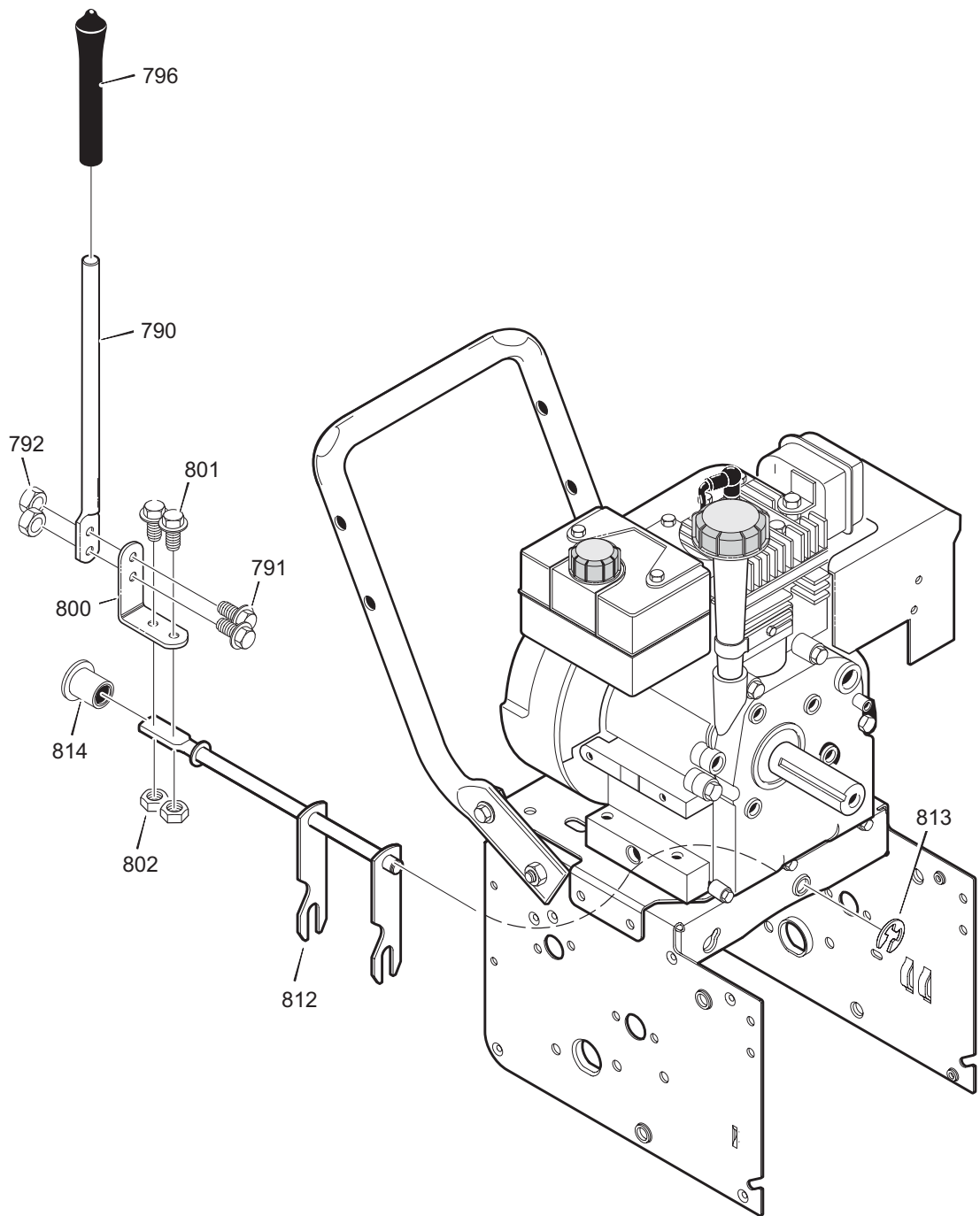


| Ausgabe Issue 2007-24 | | Bild Nr Picture No C104A | | SN 624 SN 927 MOTOR | | SN 624 SN 927 ENGINE | | Seite Page 24 | |
|-----------------------------|-----------------|--------------------------------|---|---------------------------|------------------------|----------------------------|-----------------------------|---------------------|--------------------|
| Pos. Fig. | Anzahl/Quantity | | | | Artikel Nr. Part No | Bezeichnung | Description | Satz Kit | Anmerkung Notes |
| | 2827 -88 | 2830 -88 | | | | | | | |
| | 1 | 1 | | | 1812-1615-01 | Verlängerungskabel | Extension cord | | |
| | 3 | 4 | 4 | | 1812-1678-01 | Bolzen | Carriage bolt | | |
| | 4 | 4 | 4 | | 1812-1681-01 | Halter | Retainer | | |
| | 5 | 4 | 4 | | 9795-3631-02 | Mutter | Nut | | |
| | 6 | 1 | 1 | | 1812-1719-01 | Motorriemenscheibe | Engine pulley | | |
| X | 7 | 1 | 1 | | 1812-2284-01 | Scheibe | Washer | | |
| | 8 | 1 | 1 | | 9683-0030-02 | Scheibe | Lock washer | | |
| | 9 | 1 | 1 | | 9987-5125-16 | Schraube | Screw | | |
| | 10 | 1 | 1 | | 1812-9016-01 | Treibriemen | Drive belt | | |
| | 11 | | 1 | | 1812-9020-01 | Treibriemen | Drive belt | | |
| | 11 | 1 | | | 1812-9026-01 | Treibriemen | V- belt | | |
| | 12 | 1 | 1 | | 1812-1722-01 | Spannrollenhalter | Idler bracket | | |
| | 13 | 1 | 1 | | 1812-1705-01 | Buchse | Bushing | | |
| | 14 | 1 | 1 | | 9683-0030-02 | Scheibe | Lock washer | | |
| | 15 | 1 | 1 | | 9987-5119-16 | Schraube | Screw | | |
| | 16 | 1 | 1 | | 1812-1835-01 | Feder | Spring | | |
| | 17 | 1 | 1 | | 1812-2077-01 | Spannrolle | Tension roller | | |
| | 18 | 1 | 1 | | 9743-3721-32 | Mutter | Nut | | |
| | 20 | 1 | 1 | | 1812-1742-01 | Riemenführung | Belt guide | | |
| | 22 | 1 | 1 | | 9683-0030-02 | Scheibe | Lock washer | | |
| | 24 | 1 | 1 | | 9987-5119-16 | Schraube | Screw | | |
| | 25 | 1 | 1 | | 1812-1703-02 | Motorplatte- rot | Engine mount plate | | |
| | 26 | 6 | 6 | | 9988-3516-16 | Schraube | Screw | | |
| | 27 | 4 | 4 | | 1812-1832-01 | Schraube | Screw | | |
| | 28 | 1 | 1 | | 1812-1849-02 | Motorchassie- rot | Engine box frame- red | | |
| X | 29 | 1 | 1 | | 1812-2290-01 | Schlüssel | Key | | |
| X | 30 | 1 | 1 | | 1812-2291-01 | Deflektor | Deflector | | |
| X | 31 | 1 | 1 | | 1812-2293-01 | Schraube | Screw | | |

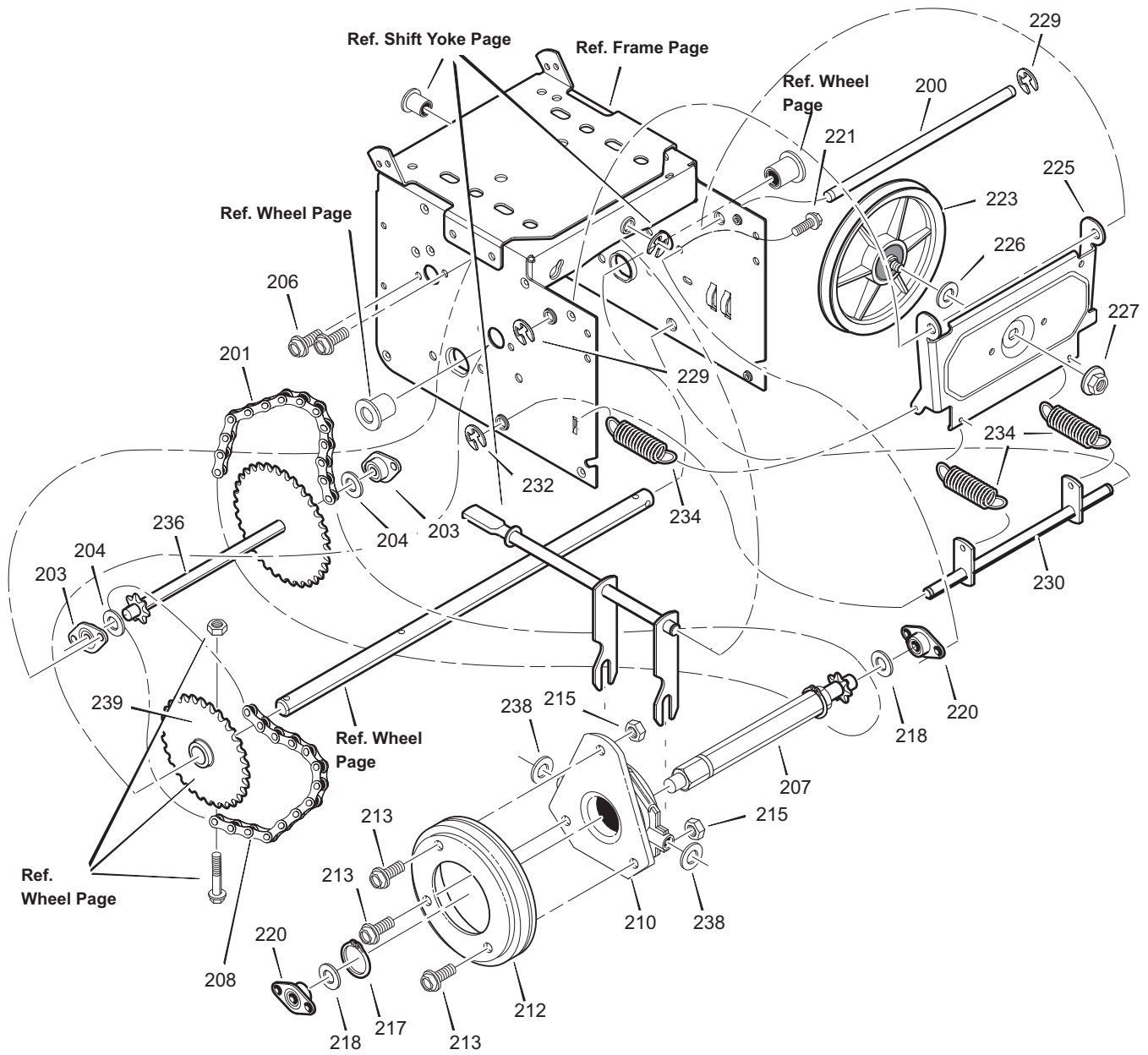


| Ausgabe Issue 2007-24 | | Bild Nr Picture No C105B | | SN 624 SN 927 RAHMEN | | SN 624 SN 927 FRAME | | Seite Page 26 | |
|-----------------------------|-----------------|--------------------------------|--|----------------------------|------------------------|---------------------------|-------------|---------------------|--|
| Pos. Fig. | Anzahl/Quantity | | | Artikel Nr. Part No | Bezeichnung | Description | Satz Kit | Anmerkung Notes | |
| | 2827 -88 | 2830 -88 | | | | | | | |
| 90 | 1 | 1 | | 1812-1700-01 | Bodenblechplatte | Bottom cover | | | |
| 91 | 4 | 4 | | 9988-3516-16 | Schraube | Screw | | | |
| 103 | 1 | | | 1812-2072-01 | Spannarm | Idler arm | | | |
| 103 | | 1 | | 1812-2085-01 | Spannarm | Idler | | | |
| 105 | 1 | 1 | | 1812-1511-01 | Stift | Hair pin | | | |
| 106 | 1 | 1 | | 1812-1533-01 | Stift | Klik pin | | | |
| 107 | | 1 | | 1812-1676-01 | Feder | Tension spring | | | |
| 107 | 1 | | | 1812-1763-01 | Feder | Spring | | | |
| 108 | 1 | 1 | | 1812-2308-01 | Regulierhebel | Control arm | | | |
| 110 | 1 | 1 | | 9899-3732-16 | Schraube | Screw | | | |
| 111 | 1 | 2 | | 1812-1509-01 | Planscheibe | Flat washer | | | |
| 112 | | 1 | | 1812-2108-01 | Scheibe | Washer | | | |
| 122 | 2 | 2 | | 1812-1832-01 | Schraube | Screw | | | |
| 123 | 4 | 4 | | 1812-1833-01 | Schraube | Screw | | | |
| 148 | 1 | 1 | | 1812-2077-01 | Spannrolle | Tension roller | | | |
| 149 | 1 | 1 | | 9743-3721-32 | Mutter | Nut | | | |
| 160 | 1 | 1 | | 1812-2078-01 | Riemenschutz | Belt cover | | | |
| 162 | 4 | 4 | | 1812-1680-01 | Schraube | Screw | | | |
| 167 | 4 | 4 | | 9699-0028-02 | Scheibe | Flat washer | | | |
| 168 | 1 | 1 | | 1812-2075-01 | Distanz | Spacer | | | |

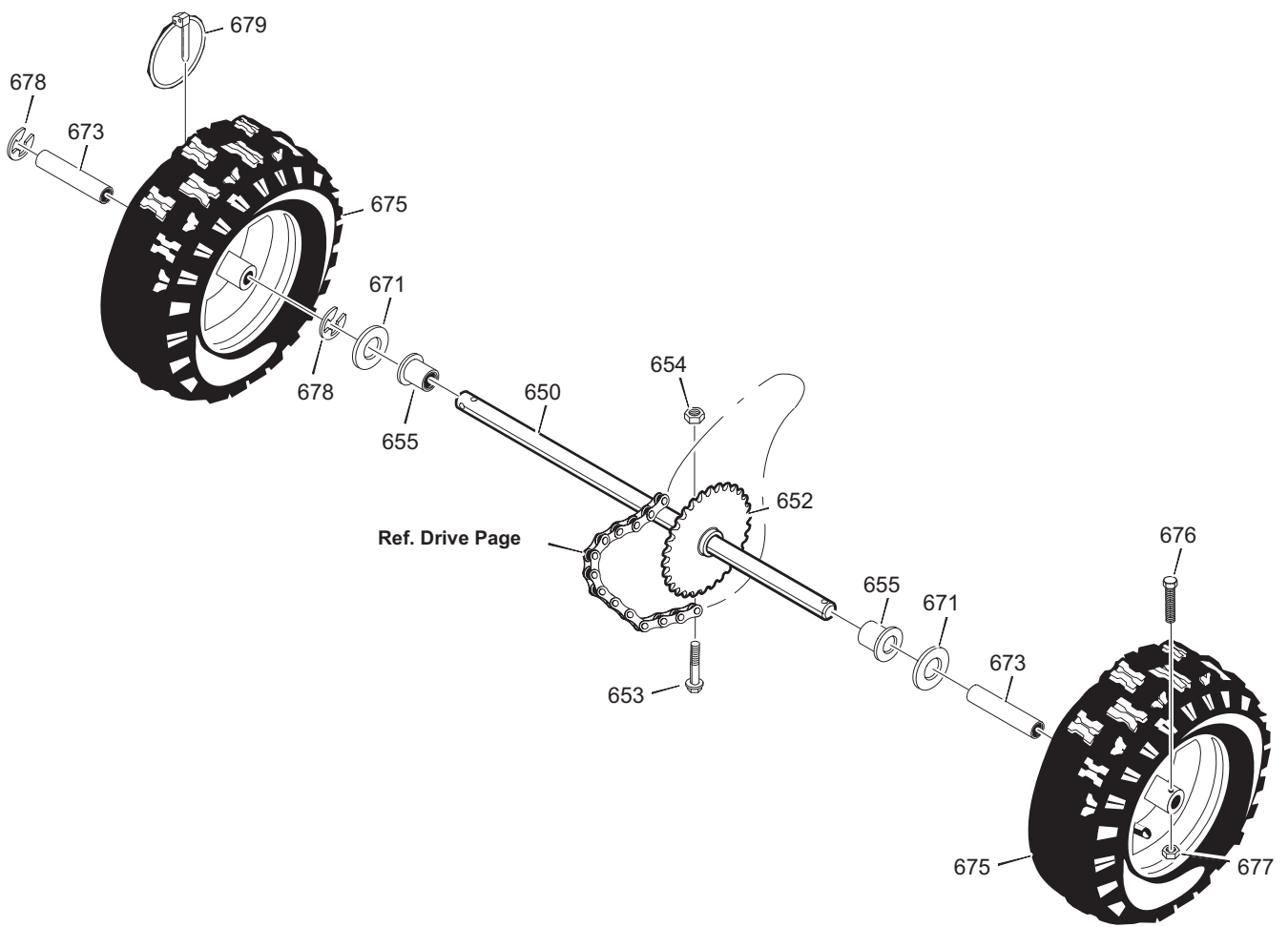
X



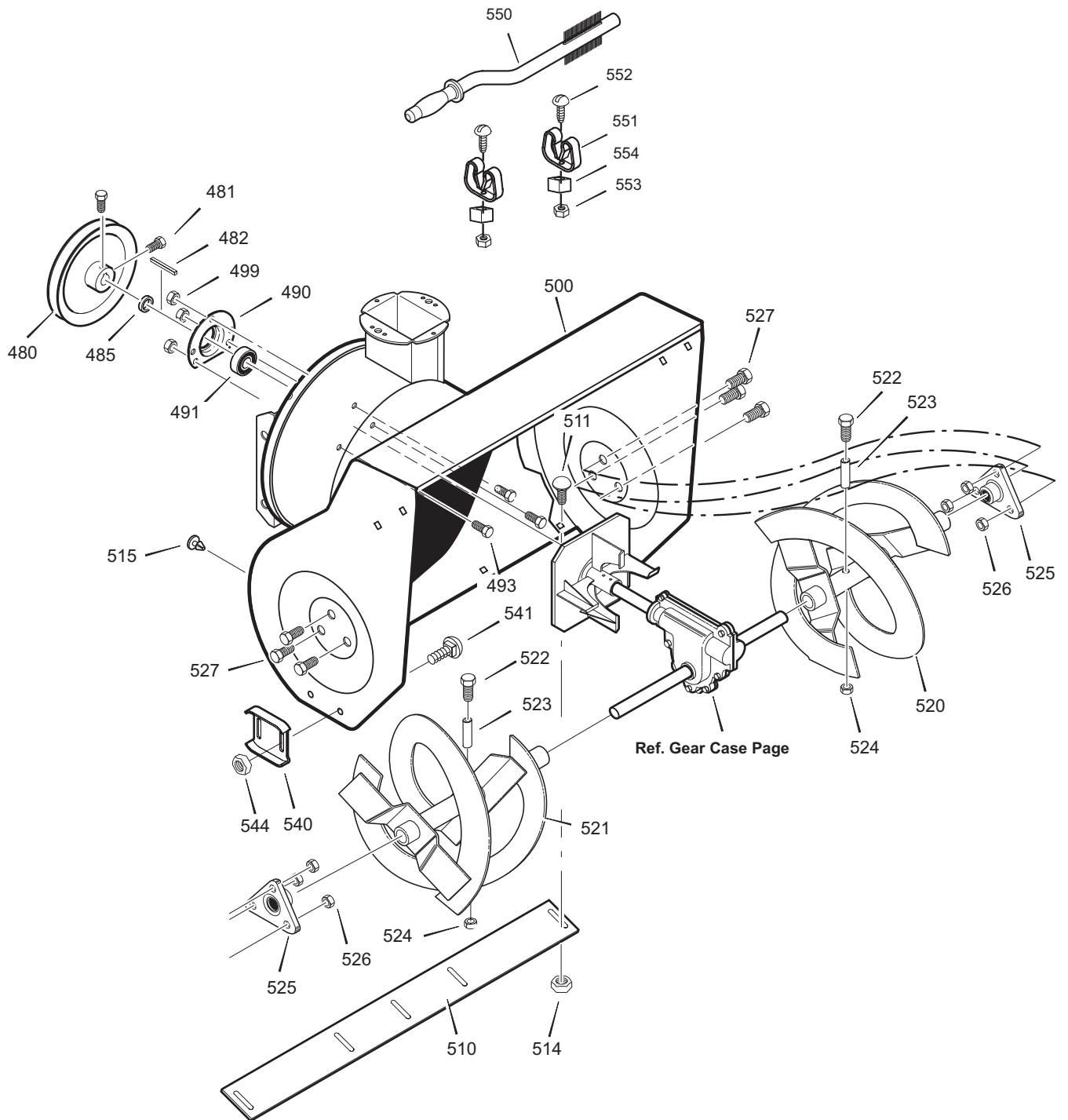
| Ausgabe Issue 2007-24 | | Bild Nr Picture No C106 | | SN 624 SN 927 SCHALTHEBEL | | SN 624 SN 927 SHIFT YOKE | | Seite Page 28 | |
|-----------------------------|-----------------|-------------------------------|--|---------------------------------|------------------------|--------------------------------|-----------------------|---------------------|--------------------|
| Pos. Fig. | Anzahl/Quantity | | | | Artikel Nr. Part No | Bezeichnung | Description | Satz Kit | Anmerkung Notes |
| | 2827 -88 | 2830 -88 | | | | | | | |
| 790 | 1 | 1 | | | 1812-2061-01 | Schalthebel | Shift rod | | |
| 791 | 2 | 2 | | | 9988-3519-16 | Schraube | Screw | | |
| 792 | 2 | 2 | | | 1812-0812-01 | Gegenmutter | Locking nut | | |
| 796 | 1 | 1 | | | 1812-2060-01 | Regulierknopf | Slip knob | | |
| 800 | 1 | 1 | | | 1812-1444-01 | Hebelfeder | Lever spring | | |
| 801 | 2 | 2 | | | 9988-3519-16 | Schraube | Screw | | |
| 802 | 2 | 2 | | | 1812-0812-01 | Gegenmutter | Locking nut | | |
| 812 | 1 | 1 | | | 1812-1710-01 | Schaltstange | Shift rod | | |
| 813 | 1 | 1 | | | 1812-1672-01 | Schließring | Retainer ring | | |
| 814 | 1 | 1 | | | 1812-1219-01 | Kunststoffbuchse | Plastic bushing | | |



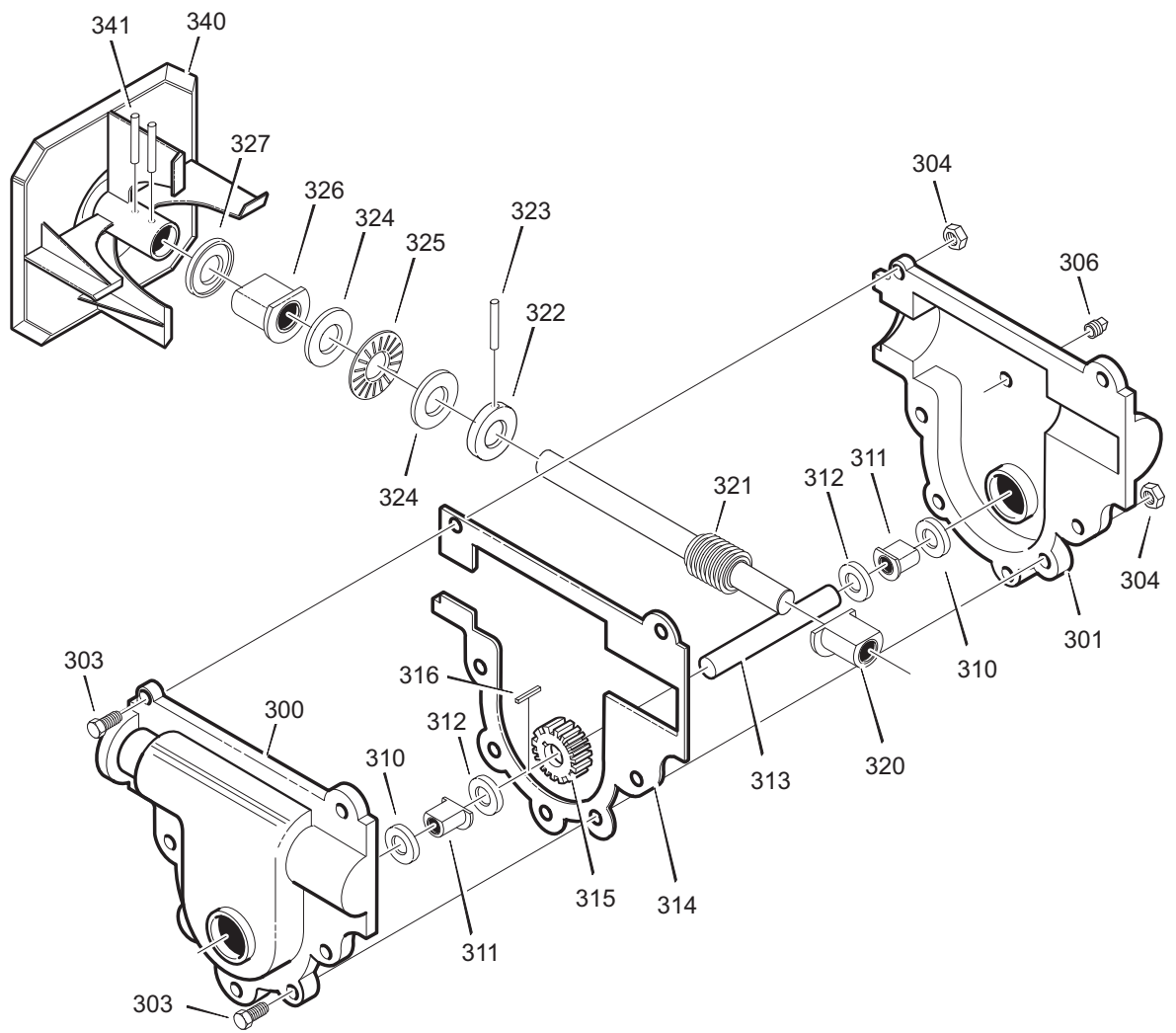
| Ausgabe Issue 2007-24 | | Bild Nr Picture No C107A | | SN 624 SN 927 ANTRIEB | | SN 624 SN 927 DRIVE | | Seite Page 30 | |
|-----------------------------|-----------------|--------------------------------|--|-----------------------------|------------------------|----------------------------|---------------------------|---------------------|--------------------|
| Pos. Fig. | Anzahl/Quantity | | | | Artikel Nr. Part No | Bezeichnung | Description | Satz Kit | Anmerkung Notes |
| | 2827 -88 | 2830 -88 | | | | | | | |
| 200 | 1 | 1 | | | 1812-1713-01 | Achse- Schwingplatte | Axle- swing plate | | |
| 201 | 1 | 1 | | | 1812-1686-01 | Kette | Chain | | |
| 203 | 2 | 2 | | | 1812-1178-01 | Lager m.Halter | Bearing & retainer | | |
| 204 | 2 | 2 | | | 1812-1204-01 | Scheibe | Washer | | |
| 206 | 4 | 4 | | | 1812-1832-01 | Schraube | Screw | | |
| 207 | 1 | 1 | | | 1812-1750-01 | Sechskantachse | Hex shaft | | |
| 208 | 1 | 1 | | | 1812-1688-01 | Kette | Chain | | |
| 210 | 1 | 1 | | | 1812-1313-01 | Lager | Trunion bearing | | |
| 212 | 1 | 1 | | | 1812-9028-01 | Friktionsrad | Friction disc wheel | | |
| 213 | 3 | 3 | | | 9988-3516-16 | Schraube | Screw | | |
| 215 | 3 | 3 | | | 9795-3531-02 | Mutter | Nut | | |
| 217 | 1 | 1 | | | 1812-1687-01 | Schließring | Retext ring | | |
| 218 | 2 | 2 | | | 1812-1204-01 | Scheibe | Washer | | |
| 220 | 2 | 2 | | | 1812-1178-01 | Lager m.Halter | Bearing & retainer | | |
| 221 | 4 | 4 | | | 1812-1832-01 | Schraube | Screw | | |
| 223 | 1 | 1 | | | 1812-1725-01 | Frikt.riemenscheibe | Friction pulley | | |
| 225 | 1 | 1 | | | 1812-1701-01 | Schwingplatte | Swing plate | | |
| 226 | 1 | 1 | | | 1812-1739-01 | Distanz | Spacer | | |
| 227 | 1 | 1 | | | 1812-1674-01 | Flanschmutter | Flange lock nut | | |
| 229 | 2 | 2 | | | 1812-1672-01 | Schließring | Retainer ring | | |
| 230 | 1 | 1 | | | 1812-2076-01 | Federlinkarm | Spring link | | |
| 232 | 2 | 2 | | | 1812-1672-01 | Schließring | Retainer ring | | |
| 234 | 3 | 3 | | | 1812-1675-01 | Feder | Spring | | |
| 236 | 1 | 1 | | | 1812-1751-01 | Zw.achse m.Zahnrad | Intermed. sprocket | | |
| 238 | 2 | 2 | | | 9699-0038-02 | Scheibe | Flat washer | | |
| 239 | 1 | 1 | | | 1812-1712-01 | Kettenrad | Sprocket | | |



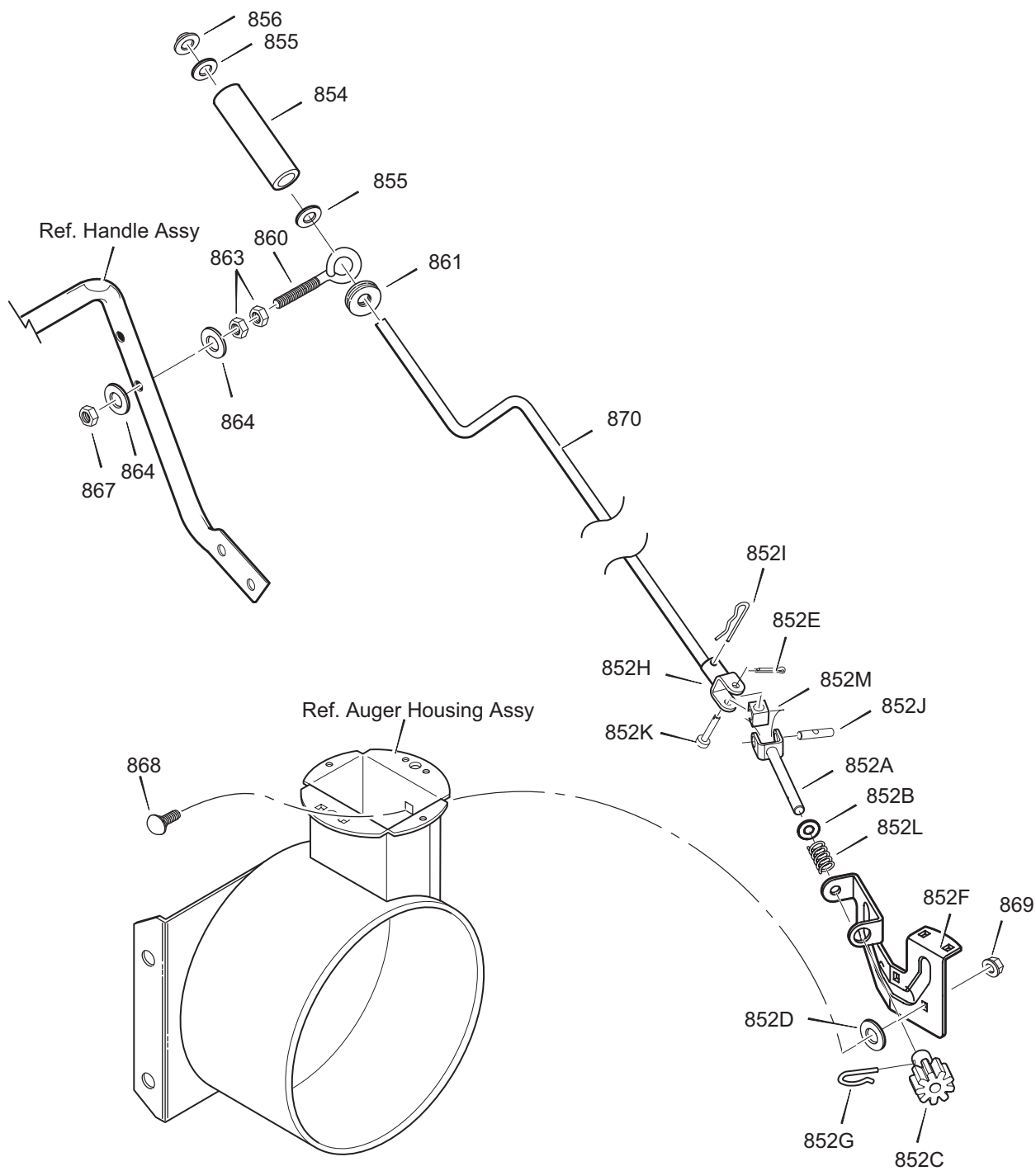
| Ausgabe Issue 2007-24 | | Bild Nr Picture No C108 | | SN 624 SN 927 RÄDER | | SN 624 SN 927 WHEELS | | Seite Page 32 | |
|-----------------------------|-----------------|-------------------------------|--|---------------------------|------------------|----------------------------|-------------|---------------------|--|
| Pos. Fig. | Anzahl/Quantity | | | Artikel Nr. Part No | Bezeichnung | Description | Satz Kit | Anmerkung Notes | |
| | 2827 -88 | 2830 -88 | | | | | | | |
| 650 | 1 | | | 1812-1862-01 | Radachse..... | Axle shaft..... | | | |
| 650 | | 1 | | 1812-1863-01 | Radachse..... | Axle shaft..... | | | |
| 652 | 1 | 1 | | 1812-1712-01 | Kettenrad..... | Sprocket..... | | | |
| 653 | 1 | 1 | | 1812-1755-01 | Schraube..... | Screw..... | | | |
| 654 | 1 | 1 | | 1812-1760-01 | Mutter..... | Nut..... | | | |
| 655 | 2 | 2 | | 1812-1724-01 | Lager..... | Axle bearing..... | | | |
| 671 | 2 | 2 | | 1812-2059-01 | Scheibe..... | Washer..... | | | |
| 673 | | 2 | | 1812-1733-01 | Radbuchse..... | Wheel bushing..... | | | |
| 673 | 2 | | | 1812-1734-01 | Radbuchse..... | Wheel bushing..... | | | |
| 675 | 2 | | | 1812-2066-01 | Rad kpl..... | Wheel assy..... | | 13 x 5.00-6 | |
| 675 | | 2 | | 1812-2109-01 | Rad kpl..... | Wheel assy..... | | 16 x 4.80 | |
| 676 | 1 | 1 | | 1812-1114-01 | Knickbolzen..... | Bolt..... | | | |
| 677 | 1 | 1 | | 1812-1760-01 | Mutter..... | Nut..... | | | |
| 678 | 2 | 2 | | 1812-0567-01 | Scheibe..... | Retaining ring..... | | | |
| 679 | 1 | 1 | | 1812-0408-01 | Splint..... | Click pin..... | | | |



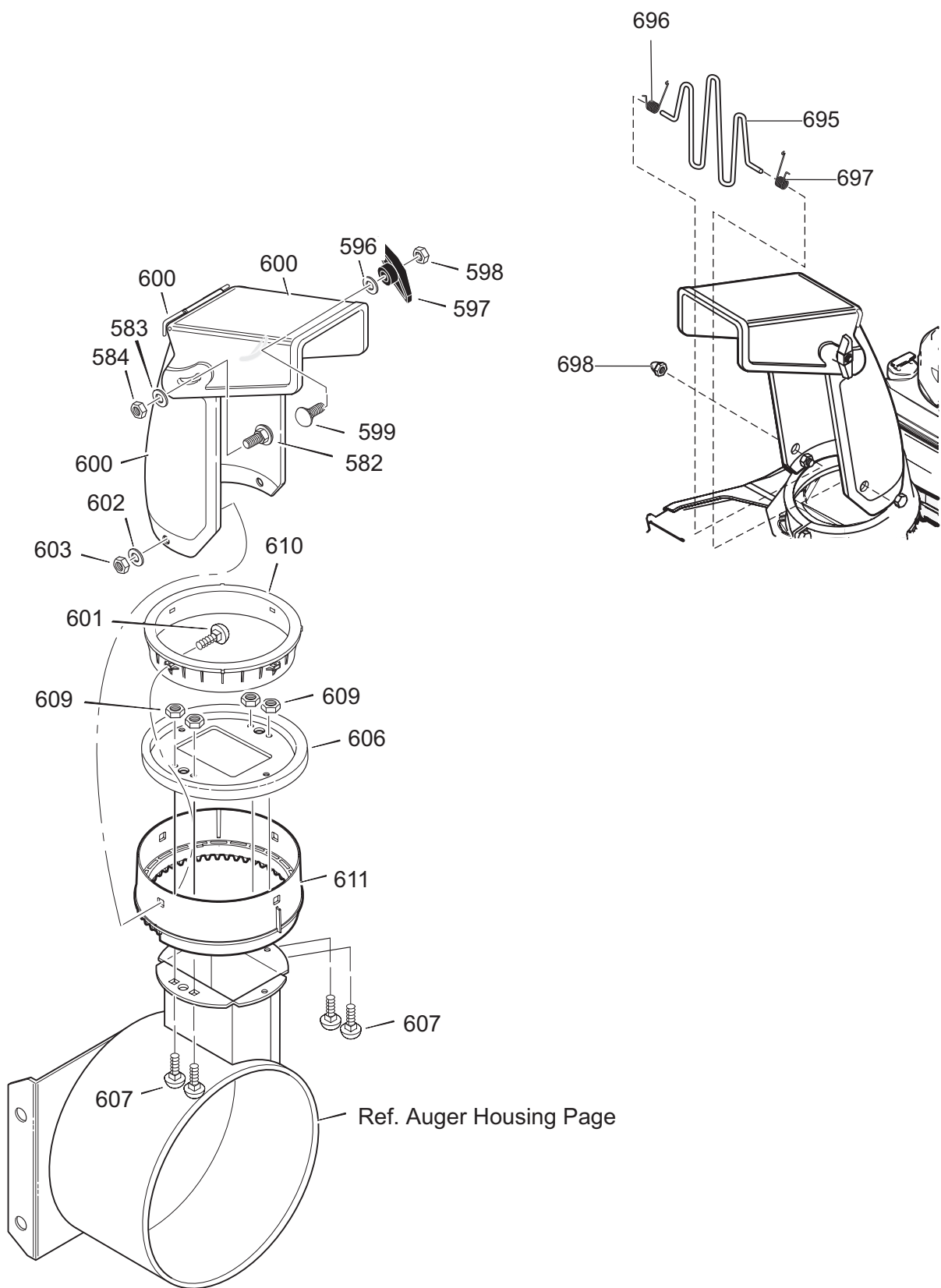
| Ausgabe Issue 2007- 24 | | Bild Nr Picture No C109A | | SN 624 SN 927 SCHNEESCHRAUBE | | SN 624 SN 927 AUGER HOUSING | | Seite Page 34 | |
|------------------------------|-----------------|--------------------------------|--|------------------------------------|--------------------------|-----------------------------------|-------------|---------------------|--|
| Pos. Fig. | Anzahl/Quantity | | | Artikel Nr. Part No | Bezeichnung | Description | Satz Kit | Anmerkung Notes | |
| | 2827 -88 | 2830 -88 | | | | | | | |
| 480 | 1 | | | 1812-1549-01 | Riemenscheibe | Auger pulley | | | |
| 480 | | 1 | | 1812-1854-01 | Riemenscheibe | Auger pulley | | | |
| 481 | 2 | 2 | | 1812-1119-01 | Schraube | Bolt | | | |
| 482 | 1 | 1 | | 1812-1609-01 | Keil | Key | | | |
| 485 | 1 | 1 | | 1812-1739-01 | Distanz | Spacer | | | |
| 490 | 1 | 1 | | 1812-1690-01 | Kugellagerhalter | Ball bearing retainer | | | |
| 491 | 1 | 1 | | 1812-1858-01 | Kugellager | Ball bearing | | | |
| 493 | 3 | 3 | | 9899-3622-16 | Schraube | Screw | | | |
| 499 | 3 | 3 | | 9795-3631-02 | Mutter | Nut | | | |
| 500 | 1 | | | 1812-2073-01 | Schneeschaubehäuse | Auger housing- red | | | |
| 500 | | 1 | | 1812-2119-01 | Schneeschaubehäuse | Auger housing- red | | | |
| 510 | 1 | | | 1812-1419-01 | Abstreifer | Scraper blade | | | |
| 510 | | 1 | | 1812-2111-01 | Abstreifer | Scraper blade | | | |
| 511 | 5 | | | 1812-1831-01 | Schraube | Screw | | | |
| 511 | | 5 | | 9899-3622-16 | Schraube | Screw | | | |
| 514 | 5 | | | 9743-3521-32 | Mutter | Nut | | | |
| 514 | | 5 | | 9795-3631-02 | Mutter | Nut | | | |
| 515 | 2 | | | 1133-0433-01 | Halter | Fastener ratchet | | | |
| 515 | | 2 | | 1812-1430-01 | Propfen | Plug | | | |
| 520 | 1 | | | 1812-1405-01 | Schneeschraube- I | Auger- LH | | | |
| 520 | | 1 | | 1812-2118-01 | Schneeschraube- L | Auger- LH | | | |
| 521 | 1 | | | 1812-1406-01 | Schneeschraube- r | Auger- RH | | | |
| 521 | | 1 | | 1812-2117-01 | Schneeschraube- R | Auger- RH | | | |
| 522 | 1 | 1 | | 1812-9005-01 | Scherbolzen | Shear bolt kit | | | |
| 523 | 2 | 2 | | 1812-0531-01 | • Distanz | • Spacer | | | |
| 524 | 2 | 2 | | 1812-0812-01 | • Gegenmutter | • Locking nut | | | |
| 525 | 2 | 2 | | 1812-0878-01 | Lager | Bearing | | | |
| 526 | 6 | 6 | | 9743-3621-32 | Mutter | Nut | | | |
| 527 | 6 | 6 | | 9988-3619-16 | Schraube | Screw | | | |
| 540 | 2 | | | 1812-1479-01 | Schleppschuh | Height adjust skid | | | |
| 540 | | 2 | | 1812-2112-01 | Schleppschuh | Height adjust skid | | | |
| 541 | 4 | 4 | | 9899-3622-16 | Schraube | Screw | | | |
| 544 | 4 | 4 | | 9795-3631-02 | Mutter | Nut | | | |
| 550 | 1 | 1 | | 1812-1930-01 | Bürste | Clean- out brush | | | |
| 551 | 2 | 2 | | 1812-1939-01 | Halter | Clips | | | |
| 552 | 2 | 2 | | 1812-1917-01 | Schraube | Screw | | | |
| 553 | 2 | 2 | | 1812-1912-01 | Mutter | Nut | | | |
| 554 | 2 | 2 | | 1812-1317-01 | Gelenk | Universal pivot block | | | |



| Ausgabe Issue 2007-24 | | Bild Nr Picture No C110 | | SN 624 SN 927 GETRIEBE | | SN 624 SN 927 GEAR CASE | | Seite Page 36 | |
|-----------------------------|-----------------|-------------------------------|--|------------------------------|-----------------------------|-------------------------------|-------------|---------------------|--|
| Pos. Fig. | Anzahl/Quantity | | | Artikel Nr. Part No | Bezeichnung | Description | Satz Kit | Anmerkung Notes | |
| | 2827 -88 | 2830 -88 | | | | | | | |
| 300 | 1 | 1 | | 1812-0909-01 | Getriebegehäuse- rech..... | Gear case- RH | | | |
| 301 | 1 | 1 | | 1812-0908-01 | Getriebegehäuse- links..... | Gear case- LH..... | | | |
| 303 | 7 | 7 | | 9988-3519-16 | Schraube | Screw..... | | | |
| 304 | 7 | 7 | | 1812-1758-01 | Mutter..... | Nut | | | |
| 306 | 1 | 1 | | 1812-0856-01 | Schraube | Screw..... | | | |
| 310 | 2 | 2 | | 1812-0881-01 | Dichtung..... | Oil seal | | | |
| 311 | 2 | 2 | | 1812-1360-01 | Buchse..... | Flange bearing..... | | | |
| 312 | 2 | 2 | | 1812-0857-01 | Scheibe..... | Thrust washer | | | |
| 313 | 1 | | | 1812-1402-01 | Schneeschraubenachse | Auger shaft | | | |
| 313 | | 1 | | 1812-2086-01 | Schneeschraubenachse | Auger shaft | | | |
| 314 | 1 | 1 | | 1812-1361-01 | Dichtung..... | Gasket | | | |
| 315 | 1 | 1 | | 1812-0862-01 | Trieb | Worm gear | | | |
| 316 | 1 | 1 | | 1812-1371-01 | Keil | Woodruff key | | | |
| 320 | 1 | 1 | | 1812-1359-01 | Buchse..... | Bushing..... | | | |
| 321 | 1 | | | 1812-1730-01 | Welle..... | Input shaft..... | | | |
| 321 | | 1 | | 1812-1853-01 | Welle..... | Input shaft..... | | | |
| 322 | 1 | 1 | | 1812-1321-01 | Distanz..... | Thrust collar..... | | | |
| 323 | 1 | 1 | | 1133-0395-01 | Stift..... | Roll pin | | | |
| 324 | 2 | 2 | | 1812-0857-01 | Scheibe..... | Thrust washer | | | |
| 325 | 1 | 1 | | 1812-0285-01 | Nadellager | Needle bearing | | | |
| 326 | 1 | 1 | | 1812-1360-01 | Buchse..... | Flange bearing..... | | | |
| 327 | 1 | 1 | | 1812-0881-01 | Dichtung..... | Oil seal | | | |
| 340 | 1 | | | 1812-1434-01 | Ventilator | Impeller..... | | | |
| 340 | | 1 | | 1812-1851-01 | Ventilator | Impeller..... | | | |
| 341 | 2 | 2 | | 1133-0395-01 | Stift..... | Roll pin | | | |



| Ausgabe Issue 2007-24 | | Bild Nr Picture No C111A | | SN 624 SN 927 EINSTELLKURBEL | | SN 624 SN 927 CHUTE ROD | | Seite Page 38 | |
|-----------------------------|-----------------|--------------------------------|--|------------------------------------|------------------------|-------------------------------|----------------------------|---------------------|--------------------|
| Pos. Fig. | Anzahl/Quantity | | | | Artikel Nr. Part No | Bezeichnung | Description | Satz Kit | Anmerkung Notes |
| | 2827 -88 | 2830 -88 | | | | | | | |
| 852 A | 1 | 1 | | | 1812-1826-01 | Gabelstange..... | Yoke and rod..... | | |
| 852 B | 1 | 1 | | | 1812-2108-01 | Scheibe..... | Washer..... | | |
| 852 C | 1 | 1 | | | 1812-1706-01 | Zahnrad..... | Gear..... | | |
| 852 D | 1 | | | | 1812-1677-01 | Scheibe..... | Washer..... | | |
| 852 E | 1 | 1 | | | 9599-0033-00 | Splint..... | Split pin..... | | |
| 852 F | 1 | 1 | | | 1812-1793-01 | Halterung..... | Bracket..... | | |
| 852 G | 1 | 1 | | | 1812-1791-01 | Schließnadel..... | Hair pin..... | | |
| 852 H | 1 | 1 | | | 1812-1708-01 | Gabel..... | Yoke adapter..... | | |
| 852 I | 1 | 1 | | | 1812-1511-01 | Stift..... | Hair pin..... | | |
| 852 J | 1 | 1 | | | 1812-1316-01 | Achse..... | Universal pin..... | | |
| 852 K | 1 | 1 | | | 1812-1318-01 | Bolzen..... | Clevis pin..... | | |
| 852 L | 1 | 1 | | | 1812-1761-01 | Feder..... | Spring..... | | |
| 852 M | 1 | 1 | | | 1812-1317-01 | Gelenk..... | Universal pivot block..... | | |
| 854 | 1 | 1 | | | 1812-0318-01 | Handgriff..... | Handle..... | | |
| 855 | 2 | 2 | | | 1812-1171-01 | Scheibe..... | Washer..... | | |
| 856 | 1 | 1 | | | 1812-1483-01 | Einrasten..... | Retainer..... | | |
| 860 | 1 | 1 | | | 1812-1821-01 | Augenbolzen..... | Eye bolt..... | | |
| 861 | 1 | 1 | | | 1812-0203-01 | Buchse..... | Grommet..... | | |
| 863 | 2 | 2 | | | 9743-3721-32 | Mutter..... | Nut..... | | |
| 864 | 2 | 2 | | | 9699-0035-02 | Scheibe..... | Flat washer..... | | |
| 867 | 1 | 1 | | | 9743-3721-32 | Mutter..... | Nut..... | | |
| 868 | 1 | | | | 1812-1679-01 | Bolzen..... | Carriage bolt..... | | |
| 868 | | 1 | | | 1812-1831-01 | Schraube..... | Screw..... | | |
| 869 | 1 | 1 | | | 1812-1760-01 | Mutter..... | Nut..... | | |
| 870 | 1 | 1 | | | 1812-1707-01 | Einstellkurbel..... | Chute crank..... | | |



| Ausgabe Issue 2007-24 | | Bild Nr Picture No C112 | | SN 624 SN 927 AUSWURF | | SN 624 SN 927 DISCHARGE CHUTE | | Seite Page 40 | |
|-----------------------------|-----------------|-------------------------------|--|-----------------------------|------------------------|-------------------------------------|-----------------------------|---------------------|--------------------|
| Pos. Fig. | Anzahl/Quantity | | | | Artikel Nr. Part No | Bezeichnung | Description | Satz Kit | Anmerkung Notes |
| | 2827 -88 | 2830 -88 | | | | | | | |
| 582 | 1 | 1 | | | 1812-1678-01 | Bolzen..... | Carriage bolt | | |
| 583 | 1 | 1 | | | 9699-0029-02 | Scheibe | Flat washer..... | | |
| 584 | 1 | 1 | | | 9743-3621-32 | Mutter | Nut | | |
| 596 | 1 | 1 | | | 9699-0029-02 | Scheibe | Flat washer..... | | |
| 597 | 1 | 1 | | | 1812-1928-01 | Schloßrad | Wing knob..... | | |
| 598 | 1 | 1 | | | 1812-1759-01 | Mutter..... | Nut | | |
| 599 | 1 | 1 | | | 9899-3625-16 | Schraube | Screw..... | | |
| 600 | 1 | 1 | | | 1812-2074-01 | Auswurf kpl | Chute assy | | |
| 601 | 3 | 3 | | | 9899-3625-16 | Schraube | Screw..... | | |
| 602 | 3 | 3 | | | 9699-0029-02 | Scheibe | Flat washer..... | | |
| 603 | 3 | 3 | | | 9743-3621-32 | Mutter | Nut | | |
| 606 | 1 | 1 | | | 1812-1983-01 | Auswurfplatte | Chute rotate collar..... | | |
| 607 | 4 | 4 | | | 1812-1831-01 | Schraube | Screw..... | | |
| 609 | 4 | 4 | | | 1812-1760-01 | Mutter..... | Nut | | |
| 610 | 1 | 1 | | | 1812-1366-01 | Ring- innere | Chute rot. ring- inner..... | | |
| 611 | 1 | 1 | | | 1812-1787-01 | Auswurfiring- äußere | Retainer ring- outer..... | | |
| 695 | 1 | 1 | | | 1133-0970-01 | Auswurfschutz..... | Wire chute guide..... | | |
| 696 | 1 | 1 | | | 1133-0944-01 | Feder | Torsion chute spring | | |
| 697 | 1 | 1 | | | 1133-0945-01 | Feder | Torsion chute spring | | |
| 698 | 2 | 2 | | | 1133-0937-01 | Schließmutter | Acorn nut | | |