



Green Passion

Illustrated Parts List

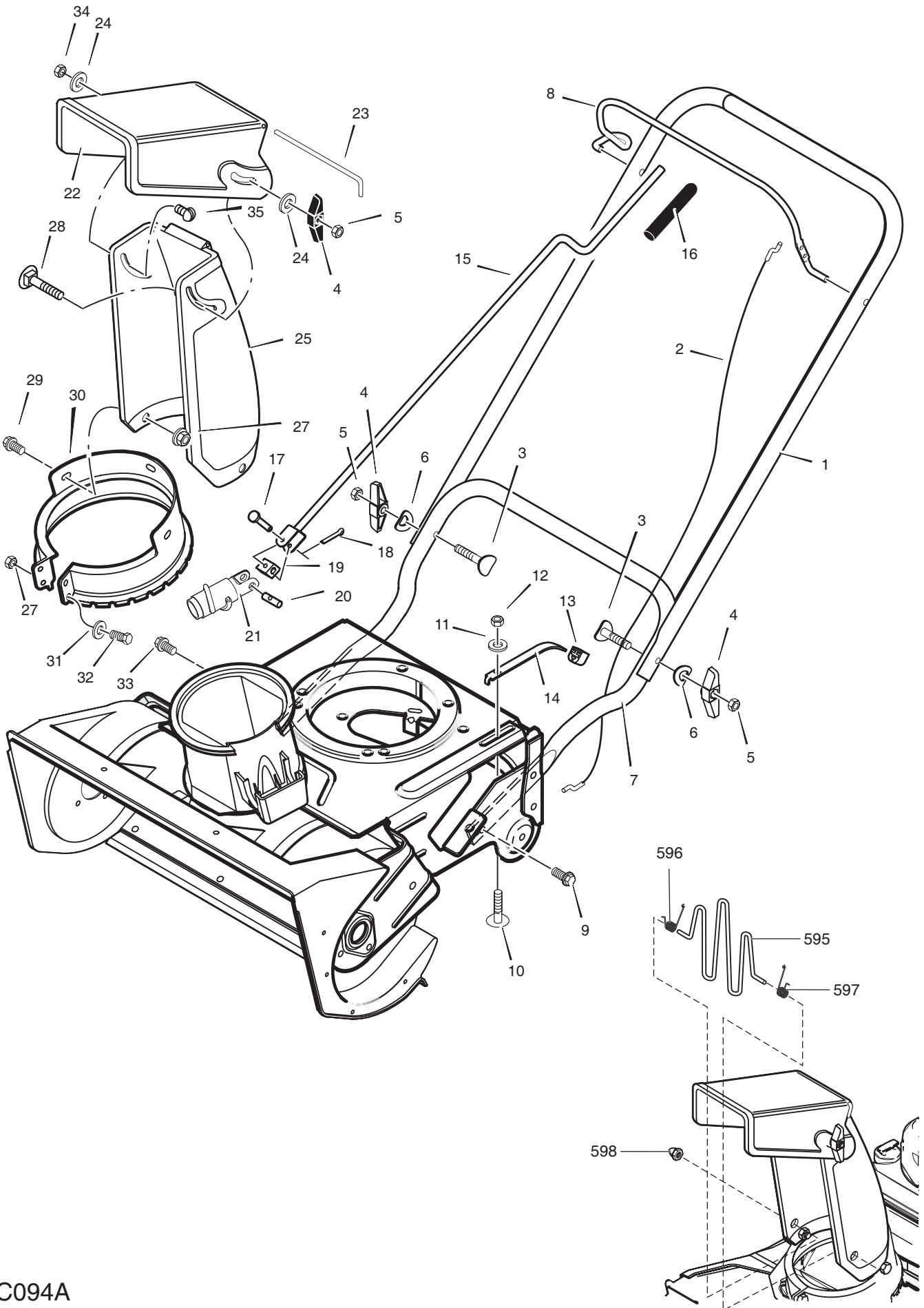
SN 421

Model Year 2007

- Use GLOBAL GARDEN PRODUCT Genuine Spare Parts specified in the parts list for repair and/or replacement.
- The contents described in the parts list may change due to improvement.
- The drawings of the spare parts are only indicative and might not represent the part in question exactly.
- The indications "right" - "left" - "front" - "rear" refer to the position of the operator when using the machine.
- When placing orders of parts for repair and/or replacement, make sure that the illustrated parts list is the one applying to the machine's year of manufacture, as shown on the identification plate attached to the machine.

COPYRIGHT by GLOBAL GARDEN PRODUCTS

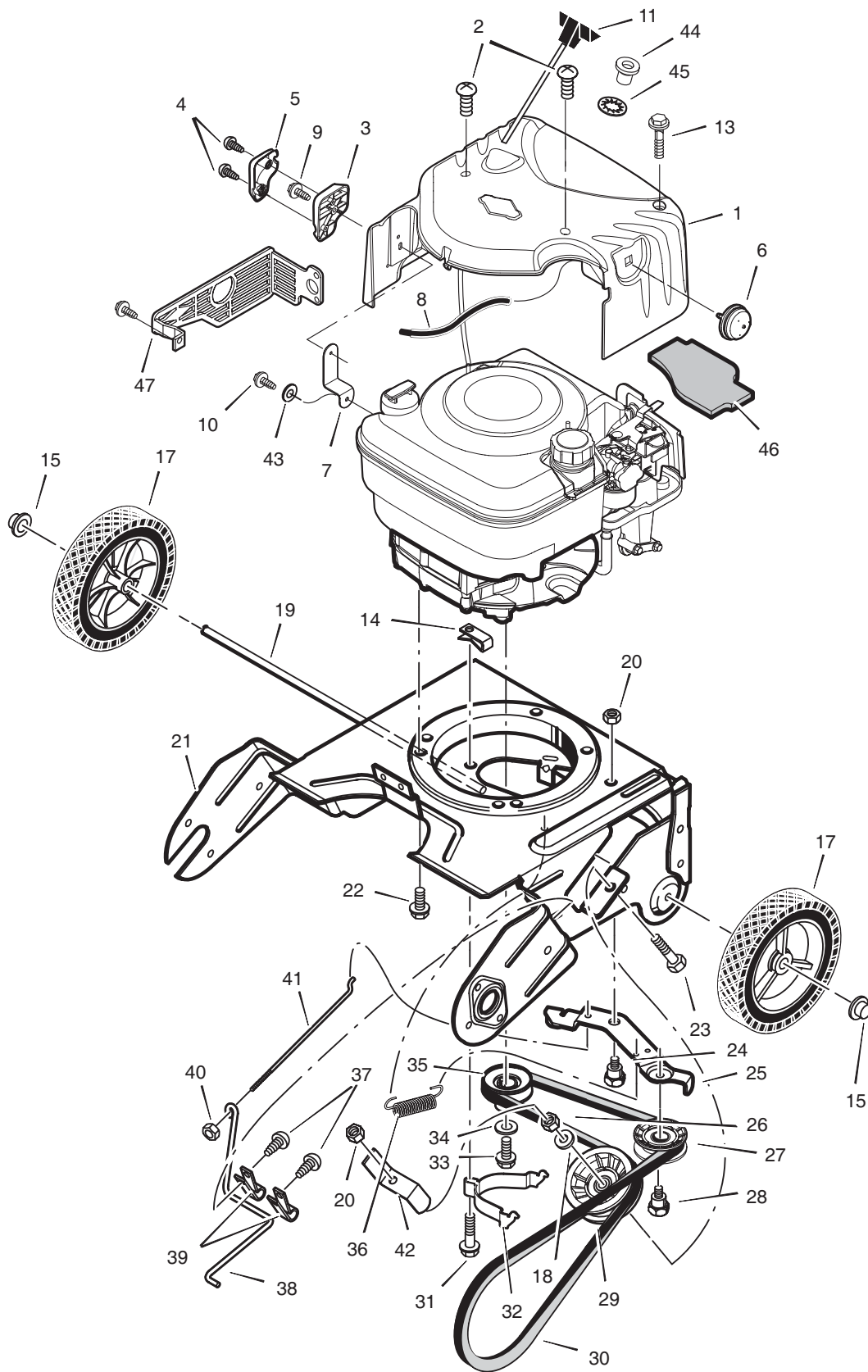
All rights reserved. No part of this material may be reproduced or transmitted, in any form or by any means, electronic or mechanical, including photocopying, recording or by any information storage and retrieval system, without permission in writing from GLOBAL GARDEN PRODUCTS.



C094A



Ausgabe Issue 2007-31		Bild Nr Picture No C094A		SN 421 HOLM AUSWURF		SN 421 HANDLE DISCHARGE CHUTE		Seite Page 8	
Pos. Fig.	Anzahl/Quantity				Artikel Nr. Part No	Bezeichnung	Description	Satz Kit	Anmerkung Notes
	2816 -87								
1	1				1812-2023-01	Holm- Oberteil	Handle- upper.....		
2	1				1812-2029-01	Regulierdraht.....	Control cable- auger		
3	2				1133-1017-01	Schraube	Bolt		
4	3				1133-0932-01	Schließrad	T- knob		
5	3				9795-3631-02	Mutter	Nut		
6	2				1133-0933-01	Scheibe.....	Formed washer		
7	1				1812-2021-01	Holm- Unterteil	Handle- lower		
8	1				1812-2022-01	Regulierbügel	Auger drive lever		
9	4				1133-0057-01	Schraube	Screw.....		
10	1				9899-3516-16	Schraube	Screw.....		
11	1				9699-0056-02	Scheibe.....	Flat washer.....		
12	1				9743-3521-32	Mutter	Nut		
13	1				1812-2034-01	Buchse.....	Tensioner bushing.....		
14	1				1812-2035-01	Halter.....	Tensioner bracket.....		
15	1				1812-2040-01	Einstellkurbel	Crank rod		
16	1				1812-2039-01	Griff	Grip		
17	1				1812-1318-01	Bolzen.....	Clevis pin		
18	1				9599-0033-00	Splint	Split pin.....		
19	1				1812-1317-01	Gelenk	Universal pivot block.....		
20	1				1812-1316-01	Achse.....	Universal pin		
21	1				1812-1335-01	Schnecken-schraube.....	Chute rotate worm		
22	1				1812-2015-01	Auswurfschirm	Deflector		
23	1				1812-2013-01	Gelenkachse	Pivot pin.....		
24	2				9699-0029-02	Scheibe	Flat washer.....		
25	1				1812-2016-01	Auswurfrohr	Discharge chute		
27	4				1812-1758-01	Mutter.....	Nut		
28	1				9899-3632-12	Schraube	Screw.....		
29	2				9899-3516-16	Schraube	Screw.....		
30	1				1812-2048-01	Auswurfring.....	Chute ring		
31	2				9699-0028-02	Scheibe.....	Flat washer.....		
32	2				9988-3519-16	Schraube	Screw.....		
33	1				1133-0057-01	Schraube	Screw.....		
34	1				1812-0811-01	Gegenmutter.....	Locking nut.....		
35	1				1133-1023-01	Schraube	Screw.....		
595	1				1133-0970-01	Auswurfschutz.....	Wire chute guide.....		
596	1				1133-0944-01	Feder	Torsion chute spring		
597	1				1133-0945-01	Feder	Torsion chute spring		
598	2				1133-0937-01	Schließmutter	Acorn nut		



C095A



Ausgabe Issue 2007-31		Bild Nr Picture No C095A		SN 421 TRANSMISSION		SN 421 TRANSMISSION		Seite Page 10	
Pos. Fig.	Anzahl/Quantity				Artikel Nr. Part No	Bezeichnung	Description	Satz Kit	Anmerkung Notes
	2816								
1	1				1812-2044-01	Deckel- Obere	Top cover		
2	2				1812-2010-01	Schraube	Screw		
3	1				1812-2046-01	Halter	Chute rod base		
4	2				1812-2009-01	Schraube	Screw		
5	1				1812-2047-01	Deckel	Chute rod cover		
6	1				1812-2049-01	Starthilfe	Primer bulb		
7	1				1812-2045-01	Halter	Chute bracket		
8	1				1133-0930-01	Primerschlauch	Primer hose		
9	1				1812-2042-01	Schraube	Screw		
10	1				1812-2017-01	Schraube	Screw		
11	1				1812-1995-01	Griff	Grip		
13	1				1812-2006-01	Bolzen	Bolt		
14	1				1133-1026-01	Mutter	Speed nut		
15	2				1812-2019-01	Schließring	Push cap nut		
17	2				1812-1455-01	Rad	Wheel		
18	1				9699-0035-02	Scheibe	Flat washer		
19	1				1812-2033-01	Radachse	Wheel axle		
20	2				9795-3731-02	Mutter	Nut		
21	1				1812-2054-02	Chassie- rot	Motor box frame- red		
22	4				9988-3725-16	Schraube	Screw		
23	1				9988-3751-12	Schraube	Screw		
24	1				1812-2020-01	Schulterbolzen	Shoulder bolt		
25	1				1812-2024-01	Spannarm	Idler arm		
26	1				9795-3731-02	Mutter	Nut		
27	1				1812-2027-01	Spannrolle	Tension roller		
28	1				1812-2028-01	Schulterbolzen	Shoulder bolt		
29	1				1812-2026-01	Spannrolle	Flat tension roller		
30	1				1812-2012-01	Keilriemen	Belt		
31	1				1812-2014-01	Schraube	Screw		
32	1				1812-2030-01	Riemenführung	Belt guide		
33	1				9987-5125-16	Schraube	Screw		
34	1				9683-0030-02	Scheibe	Lock washer		
35	1				1812-2025-01	Motorriemenscheibe	Engine pulley		
36	1				1812-2007-01	Feder	Spring		
37	2				1812-1768-01	Schraube	Screw		
38	1				1812-2038-01	Bremsarm	Brake arm		
39	2				1812-2036-01	Klemme	Clamp		
40	1				1812-0630-01	Mutter	Nut		
41	1				1812-2037-01	Einstellstange	Adjustment rod		
42	1				1812-2041-01	Riemenführung	Belt guide		
43	1				1812-2008-01	Schloßscheibe	Lock washer		
44	1				1812-2050-01	Seilhülse	Rope guide		
45	1				1812-2011-01	Scheibe	Washer		
46	1				1812-2051-01	Dichtung	Foam seal		
47	1				1812-2056-01	Schalldämpferschutz	Muffler guard		



Ausgabe Issue 2007-31		Bild Nr Picture No C096A		SN 421 SCHNEESCHRAUBE		SN 421 AUGER		Seite Page 12	
Pos. Fig.	Anzahl/Quantity				Artikel Nr. Part No	Bezeichnung	Description	Satz Kit	Anmerkung Notes
	2816 -87								
1	1				1812-2054-02	Chassie- rot	Motor box frame- red		
2	5				1812-1758-01	Mutter	Nut		
4	2				1812-1925-01	Lagerhalter	Bearing retainer		
5	2				1812-1383-01	Kugellager	Ball bearing		
6	1				9988-3519-16	Schraube	Screw		
7	1				1812-1400-01	Riemenscheibe	Pulley		
8	2				1812-1768-01	Schraube	Screw		
9	1				1812-2031-01	Riemenschutz- links	Belt cover- LH		
10	1				1812-2052-01	Schneeschraubengehäuse	Auger housing		
11	8				1812-0630-01	Mutter	Nut		
12	4				9699-0028-02	Scheibe	Flat washer		
13	4				9988-3516-16	Schraube	Screw		
14	1				1812-1481-01	Abstreifer	Scraper blade		
15	1				1812-1488-01	Schneescharube Kpl	Auger assy		
16	1				1812-1238-01	Scheibe	Washer		
17	1				1812-2032-01	Schutz- rechts	Cover- RH		
18	8				1812-0959-01	Bolzen	Bolt		
19	1				9988-3519-16	Schraube	Screw		