



Green Passion

Illustrated Parts List

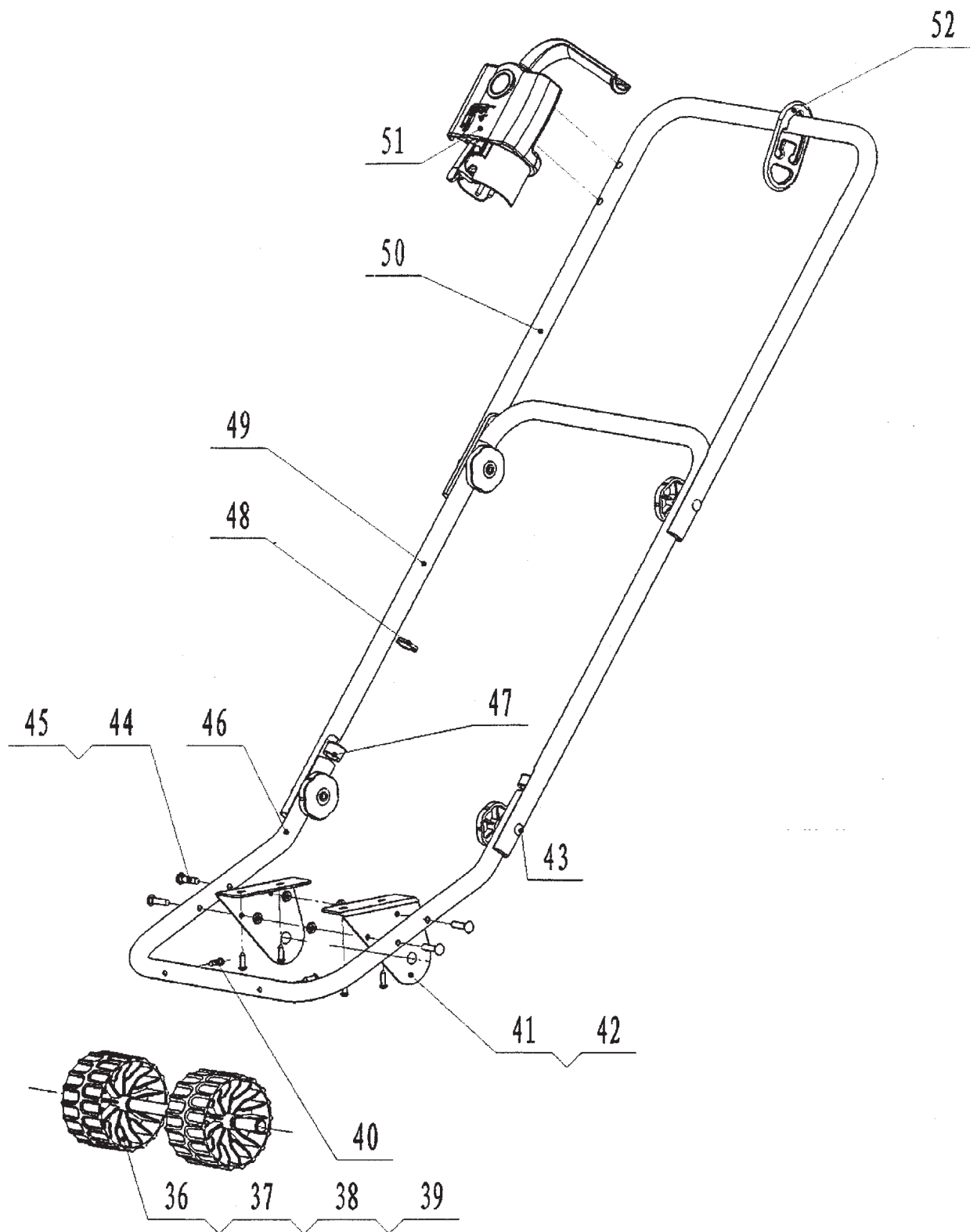
SNE 14

Model Year 2007

- Use GLOBAL GARDEN PRODUCT Genuine Spare Parts specified in the parts list for repair and/or replacement.
- The contents described in the parts list may change due to improvement.
- The drawings of the spare parts are only indicative and might not represent the part in question exactly.
- The indications "right" - "left" - "front" - "rear" refer to the position of the operator when using the machine.
- When placing orders of parts for repair and/or replacement, make sure that the illustrated parts list is the one applying to the machine's year of manufacture, as shown on the identification plate attached to the machine.

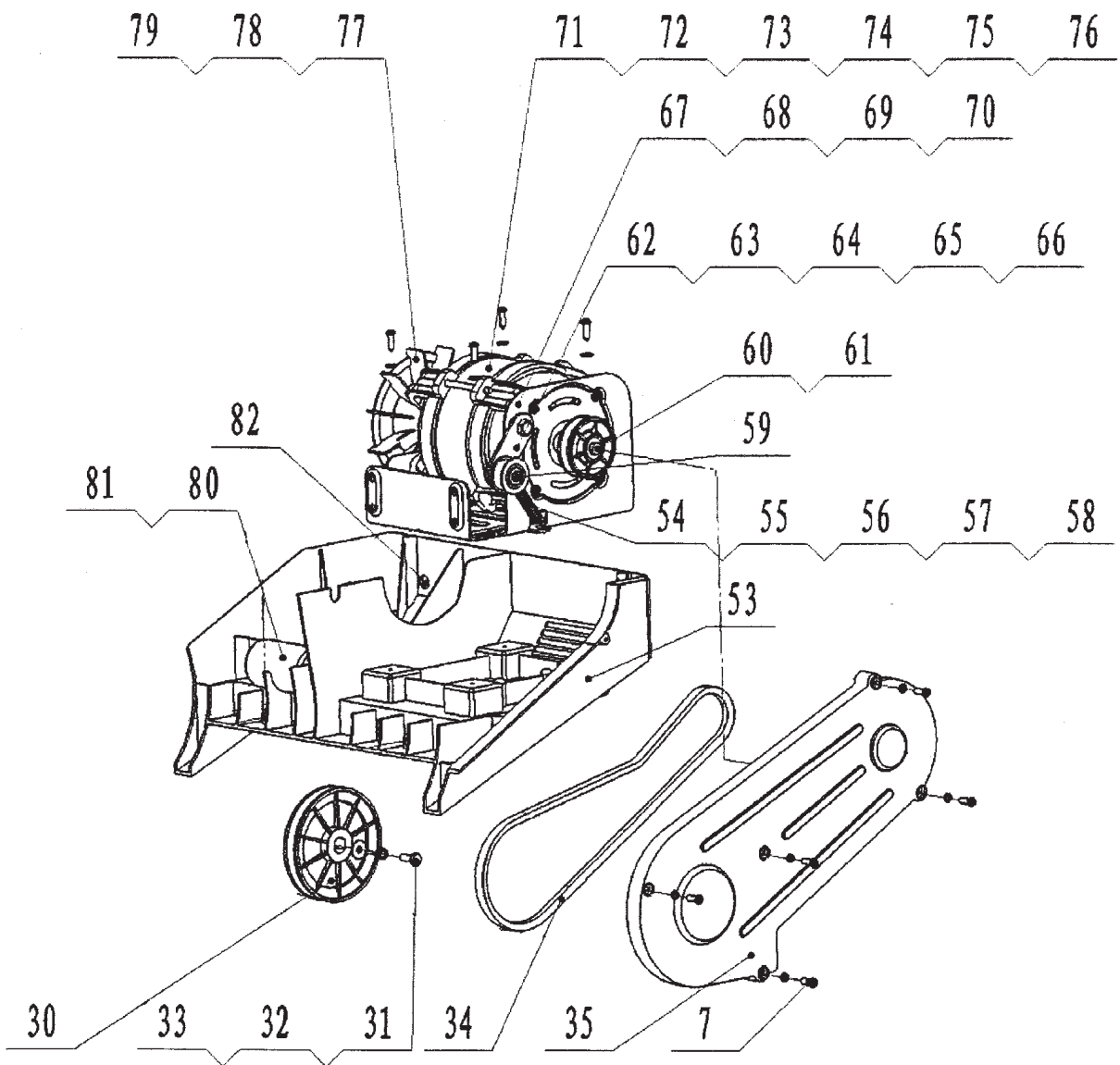
COPYRIGHT by GLOBAL GARDEN PRODUCTS

All rights reserved. No part of this material may be reproduced or transmitted, in any form or by any means, electronic or mechanical, including photocopying, recording or by any information storage and retrieval system, without permission in writing from GLOBAL GARDEN PRODUCTS.



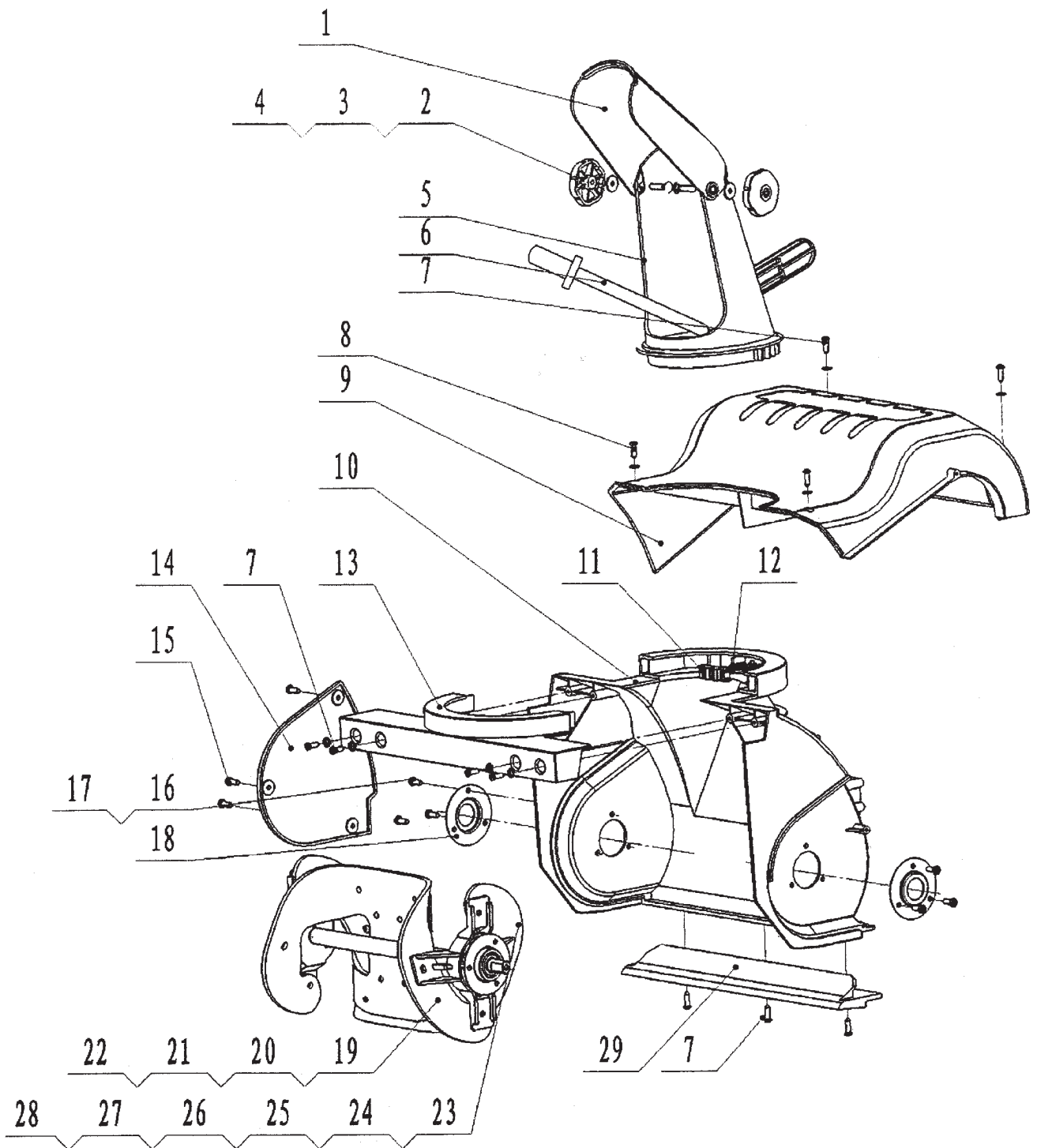


| Ausgabe Issue 2007-31 | | Bild Nr Picture No C113 | | SNE 14 HOLM | | SNE 14 HANDLE | | Seite Page 2 | |
|-----------------------------|-----------------|-------------------------------|--|----------------|------------------------|-------------------------|-----------------------------|--------------------|--------------------|
| Pos. Fig. | Anzahl/Quantity | | | | Artikel Nr. Part No | Bezeichnung | Description | Satz Kit | Anmerkung Notes |
| | 2808 -87 | | | | | | | | |
| X | 36 | 2 | | | 1811-2326-01 | Rad..... | Wheel..... | | |
| X | 37 | 1 | | | 1811-2344-01 | Radachse..... | Wheel shaft..... | | |
| | 38 | 6 | | | 9650-0012-04 | Seegersicherung..... | Circlip..... | | |
| | 39 | 6 | | | 9699-0115-02 | Scheibe..... | Washer..... | | |
| | 40 | 2 | | | 9849-8032-16 | Schraube..... | Screw..... | | |
| X | 41 | 1 | | | 1811-2330-01 | Radhalter- L..... | Wheel plate- LH..... | | |
| X | 42 | 1 | | | 1811-2331-01 | Radhalter- R..... | Wheel plate- RH..... | | |
| | 42 | 4 | | | 9699-0024-02 | Scheibe..... | Flat washer..... | | For wheel plate |
| | 42 | 4 | | | 9849-8016-16 | Schraube..... | Screw..... | | For wheel plate |
| X | 43 | 4 | | | 1811-2317-01 | Schloßrad..... | Locking knob..... | | |
| | 43 | 4 | | | 9898-0635-12 | Schraube..... | Screw..... | | |
| | 44 | 4 | | | 9997-0535-12 | Schraube..... | Screw..... | | |
| | 45 | 4 | | | 9747-0531-02 | Mutter..... | Nut..... | | |
| X | 46 | 1 | | | 1811-2335-01 | Holm- Unterteil..... | Handle- lower..... | | |
| X | 47 | 4 | | | 1716-0019-01 | Propfen..... | Cap..... | | |
| X | 48 | 2 | | | 1716-0031-01 | Kabelhalter..... | Cable clamp..... | | |
| X | 49 | 1 | | | 1811-2334-01 | Holm- Mittelteil..... | Handle- middle..... | | |
| X | 50 | 1 | | | 1811-2333-01 | Holm- Oberteil..... | Handle- upper..... | | |
| X | 51 | 1 | | | 1811-2349-01 | Schalter..... | Switch..... | | |
| | 51 | 2 | | | 9847-8019-16 | Schraube..... | Screw..... | | For switch |
| X | 52 | 1 | | | 1716-0024-01 | Zugentlaster- gelb..... | Cord restrainer- yello..... | | |





| Ausgabe Issue 2007-31 | | Bild Nr Picture No C114 | | SNE 14 TRANSMISSION | | SNE 14 TRANSMISSION | | Seite Page 4 | |
|-----------------------------|-----------------|-------------------------------|--|------------------------|------------------------|----------------------------|----------------------------|--------------------|--------------------|
| Pos. Fig. | Anzahl/Quantity | | | | Artikel Nr. Part No | Bezeichnung | Description | Satz Kit | Anmerkung Notes |
| | 2808 | -87 | | | | | | | |
| X | 7 | 5 | | | 1811-2301-01 | Schraube | Screw | | |
| X | 30 | 1 | | | 1811-2322-01 | Riemenscheibe | Drive wheel | | |
| | 31 | 2 | | | 9948-0616-16 | Schraube | Screw | | |
| | 32 | 2 | | | 9699-0060-02 | Scheibe | Flat washer | | |
| | 33 | 2 | | | 9683-0025-02 | Scheibe | Lock washer | | |
| X | 34 | 1 | | | 1811-2307-01 | Riemen | Belt | | |
| X | 35 | 1 | | | 1811-2323-01 | Riemenschutz | Belt cover | | |
| X | 53 | 1 | | | 1811-2314-01 | Chassis | Chassis | | |
| X | 54 | 1 | | | 1811-2339-01 | Feder- Spannarm | Spring- tension arm | | |
| X | 55 | 1 | | | 1811-2338-01 | Spanrollenachse | Tension roller shaft | | |
| X | 56 | 2 | | | 1811-2300-01 | Kugellager | Ball bearing | | |
| X | 57 | 1 | | | 1811-2325-01 | Spannrolle | Tension roller | | |
| X | 58 | 1 | | | 1811-2350-01 | Schließring | Snap ring | | |
| | 59 | 1 | | | 9699-0028-02 | Scheibe | Flat washer | | |
| X | 60 | 1 | | | 1811-2324-01 | Riemenscheibe- Motor | Main drive wheel | | |
| | 61 | 1 | | | 9683-0030-02 | Scheibe | Lock washer | | |
| | 62 | 1 | | | 9799-0831-02 | Mutter | Nut | | |
| X | 63 | 1 | | | 1811-2341-01 | Spannarm | Tension arm | | |
| X | 64 | 1 | | | 1811-2302-01 | Bolzen | Shoulder bolt | | |
| | 65 | 3 | | | 9683-0025-02 | Scheibe | Lock washer | | |
| | 66 | 1 | | | 9699-0028-02 | Scheibe | Flat washer | | |
| | 67 | 1 | | | 9747-0631-02 | Mutter | Lock nut | | |
| X | 68 | 1 | | | 1811-2340-01 | Motorplatte | Motor base | | |
| X | 69 | 1 | | | 1811-2345-01 | Platte- vordere | End plate- front | | |
| X | 70 | 1 | | | 1811-2346-01 | Platte- hintere | End plate- rear | | |
| X | 71 | 4 | | | 1811-2351-01 | Bolzen | Bolt | | |
| X | 72 | 1 | | | 1811-2329-01 | Stator | Stator | | |
| X | 73 | 1 | | | 1811-2328-01 | Rotor | Rotor | | |
| | 74 | 2 | | | 9549-0019-00 | Kugellager | Ball bearing | | |
| X | 75 | 1 | | | 1811-2304-01 | Dichtung | Wave gasket | | |
| | 76 | 2 | | | 9997-0625-16 | Schraube | Screw | | |
| X | 77 | 1 | | | 1811-2309-01 | Ventilator | Fan | | |
| | 78 | 1 | | | 9650-0015-04 | Seegersicherung | Lock ring | | |
| X | 79 | 1 | | | 1811-2305-01 | Kondensator | Capacitor | | |
| | 80 | 1 | | | 9683-0030-02 | Scheibe | Lock washer | | |
| | 80 | 1 | | | 9799-0831-02 | Mutter | Nut | | |
| X | 81 | 1 | | | 1716-0014-01 | Kabelklemme | Cable clip | | |
| | 81 | 2 | | | 9836-9216-12 | Schraube | Screw | | |
| X | 82 | 1 | | | 1811-2306-01 | Gummihülse | Rubber grommet | | |





| Ausgabe Issue 2007-31 | | Bild Nr Picture No C115 | | SNE 14 SCHNEESCHRAUBE | | SNE 14 AUGER | | Seite Page 6 | |
|-----------------------------|-----------------|-------------------------------|--|--------------------------|------------------------|--------------------------|----------------------------|--------------------|--------------------|
| Pos. Fig. | Anzahl/Quantity | | | | Artikel Nr. Part No | Bezeichnung | Description | Satz Kit | Anmerkung Notes |
| | 2808 -87 | | | | | | | | |
| X | 1 | 1 | | | 1811-2310-01 | Auswurfschirm | Upper outlet | | |
| | 2 | 2 | | | 9699-0060-02 | Scheibe..... | Flat washer..... | | |
| | 3 | 2 | | | 9898-0635-12 | Schraube | Screw..... | | |
| X | 4 | 2 | | | 1811-2317-01 | Schloßrad | Locking knob | | |
| X | 5 | 1 | | | 1811-2311-01 | Auswurfrohr | Lower outlet..... | | |
| X | 6 | 1 | | | 1811-2352-01 | Werkzeug..... | Cleaner stick | | |
| X | 7 | 9 | | | 1811-2301-01 | Schraube | Screw..... | | |
| | 8 | 4 | | | 9847-8016-16 | Schraube | Screw..... | | |
| X | 9 | 1 | | | 1811-2315-02 | Deckel- rot..... | Cover- red | | |
| X | 10 | 1 | | | 1811-2312-02 | Gehäuse- rot..... | Snow channel- red | | |
| X | 11 | 1 | | | 1811-2316-01 | Sperre..... | Block | | |
| X | 12 | 2 | | | 1811-2332-01 | Feder | Spring | | |
| X | 13 | 1 | | | 1811-2318-02 | Halter- rot | Cuff- red | | |
| X | 14 | 1 | | | 1811-2319-02 | Schutz- rot..... | Side cover- red | | |
| | 15 | 3 | | | 9847-7913-16 | Schraube | Screw..... | | |
| | 16 | 6 | | | 9950-0510-16 | Schraube | Screw..... | | |
| | 17 | 6 | | | 9699-0024-02 | Scheibe..... | Flat washer..... | | |
| X | 18 | 2 | | | 1811-2337-01 | Lagerhalter- äußere..... | Bearing cover- outer..... | | |
| | 19 | 2 | | | 9549-0044-00 | Kugellager | Ball bearing | | |
| X | 20 | 2 | | | 1811-2343-01 | Lagerhalter- innere..... | Bearing cover- inner | | |
| X | 21 | 1 | | | 1811-2320-01 | Halter- L..... | Propeller brkt- LH..... | | |
| X | 22 | 1 | | | 1811-2321-01 | Halter- R | Propeller brkt- RH | | |
| | 23 | 16 | | | 9948-0616-16 | Schraube | Screw..... | | |
| | 24 | 16 | | | 9747-0631-02 | Mutter | Lock nut..... | | |
| X | 25 | 2 | | | 1811-2308-01 | Keil | Key..... | | |
| X | 26 | 2 | | | 1811-2342-01 | Gummiplatte..... | Rubber wheel..... | | |
| X | 27 | 1 | | | 1811-2336-01 | Achse..... | Propeller shaft..... | | |
| | 28 | 4 | | | 9650-0017-04 | Seegersicherung | Retaining ring | | |
| X | 29 | 1 | | | 1811-2313-02 | Abstreifer- rot | Spading board- red | | |