

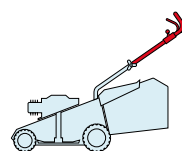
POS.	CODE	Q.TY	DESCRIZIONE	DESCRIPTION	DESCRIPTION	BESCHREIBUNG	REMARKS
1	81001415/1	1	Chassis Rosso	Deck Red	Châssis Rouge	Gehäuse Rot	434
1	81001416/2	1	Chassis Rosso	Deck Red	Châssis Rouge	Gehäuse Rot	484
2	12500070/0	3	Rivetto	Rivet	Rivet	Niete	
3	22735535/0	1	Settore Regolazione Altezza	Sector, Height Adjustment	Secteur Reglage Hauteur	Sektor, Höheverstellung	
4	12728680/0	2	Vite	Screw	Vis	Schraube	
5	12523020/0	3	Rosetta	Washer	Rondelle	Scheibe	
6	22060171/0	1	Carter Cinghia	Protection, Belt	Protection	Schutz, Riemen	434
6	22060172/0	1	Carter Cinghia	Protection, Belt	Protection	Schutz, Riemen	484
7	22735508/0	1	Settore Regolazione Altezza	Sector, Height Adjustment	Secteur Reglage Hauteur	Sektor, Höheverstellung	
8	22551632/1	2	Piastrina Fissaggio Manico	Plate For Handle Fastening	Plaquette Fixage Mancheron	Platte Holmbefestigung	

POS.	CODE	Q.TY	DESCRIZIONE	DESCRIPTION	DESCRIPTION	BESCHREIBUNG	REMARKS
9	12691800/0	3	Vite	Screw	Vis	Schraube	
9	12691900/0	3	Vite	Screw	Vis	Schraube	(Honda)
10	22167840/0	3	Distanziale	Spacer	Entretoise	Distanzring	
11	22040265/0	3	Bussola	Bush	Douille	Buchse	
12	12523070/0	3	Rosetta	Washer	Rondelle	Scheibe	
13	12155000/0	3	Dado	Nut	Ecrou	Mutter	
14	22484070/1	1	Paracalore	Muffler Guard	Grille De	Schutzabdeckung	
21	12691400/0	2	Vite	Screw	Vis	Schraube	
22	12521350/0	4	Rosetta	Washer	Rondelle	Scheibe	
23	22600042/0	1	Prot. Manico Dx	Protection, R	Protection Mancheron D	Schutz,	
24	22600043/0	1	Prot. Manico Sx	Protection, L	Protection Mancheron G	Schutz, Linkerholm	
25	12691900/0	2	Vite	Screw	Vis	Schraube	
26	18566110/0	2	Puntale	Cap	Bouchon	Gummistopfen	
29	12819120/0	2	Vite	Screw	Vis	Schraube	
30	22680006/1	2	Rosetta	Washer	Rondelle	Scheibe	
31	22399900/0	2	Manopolina	Knob	Poignée	Griff	
32	12293200/0	2	Dado	Nut	Ecrou	Mutter	
33	81008606/1	1	Dotazione Viteria	Outfit, Screws	Dotation Visserie	Satz, Schrauben	
34	81006917/0	2	Manico, Parte Inf	Handle, Lower Part	Mancheron, Partie Inferieure	Holm, Unterteil	
51	22400000/1	2	Manopolina	Knob	Poignée	Griff	
52	22321502/1	1	Leva Regolazione Altezza	Lever, Height Adjustment	Levier, Reglage Hauteur	Hebel, Höheverstellung	
53	22321497/0	1	Leva Regolazione Altezza	Lever, Height Adjustment	Levier, Reglage Hauteur	Hebel, Höheverstellung	
54	12609260/0	1	Anello Arresto	Ring	Anneau De Tennue	Ring	
55	22519510/0	1	Perno	Pin	Pivot	Bolzen	
56	81001408/0	1	Asse Ruote Anteriori	Axle, Front Wheels	Axe Roues Avant	Achse, Vorderrad	434
56	81001410/0	1	Asse Ruote Anteriori	Axle, Front Wheels	Axe Roues Avant	Achse, Vorderrad	484
57	22170950/0	1	Distanziale Dx	R Spacer	Entretoise D	Rechter Distanzring	
58	12523060/0	2	Rosetta	Washer	Rondelle	Scheibe	
59	12155000/0	2	Dado	Nut	Ecrou	Mutter	
60	12521350/0	2	Rosetta	Washer	Rondelle	Scheibe	
61	22519515/0	1	Perno	Pin	Pivot	Bolzen	
62	12530150/0	2	Rosetta Elastica	Elastic Washer	Rondelle Elastique	Elastische Scheibe	
63	22122200/0	4	Cuscinetto	Bearing	Coussinet	Lager	
64	81007336/0	2	Ruota Scolpita Ø 170	Wheel, Knobbly Ø 170	Roue Sculptee Ø 170	Rad M. Stollenpr. Ø 170	
65	12521350/0	2	Rosetta	Washer	Rondelle	Scheibe	
66	12155000/0	2	Dado	Nut	Ecrou	Mutter	
67	-	2	Coprizzo	Hub Cap	Couvre-Moyeu	Radkappe	(See Enclosure 1)
68	12735402/0	4	Vite	Screw	Vis	Schraube	
69	22545154/0	2	Piastrina	Plate	Plaquette	Platte	
70	81000151/0	1	Asse Ruote Posteriori	Axle, Rear Wheels	Axe Roues Arriere	Achse, Hinterrad	
71	12530150/0	2	Rosetta Elastica	Elastic Washer	Rondelle Elastique	Elastische Scheibe	
72	22122200/0	4	Cuscinetto	Bearing	Coussinet	Lager	
73	81007337/0	2	Ruota Scolpita Ø 210	Wheel, Knobbly Ø 210	Roue Sculptee Ø 210	Rad M. Stollenpr. Ø 210	
74	12521350/0	2	Rosetta	Washer	Rondelle	Scheibe	
75	12155000/0	2	Dado	Nut	Ecrou	Mutter	
76	-	2	Coprizzo	Hub Cap	Couvre-Moyeu	Radkappe	(See Enclosure 2)

T

434

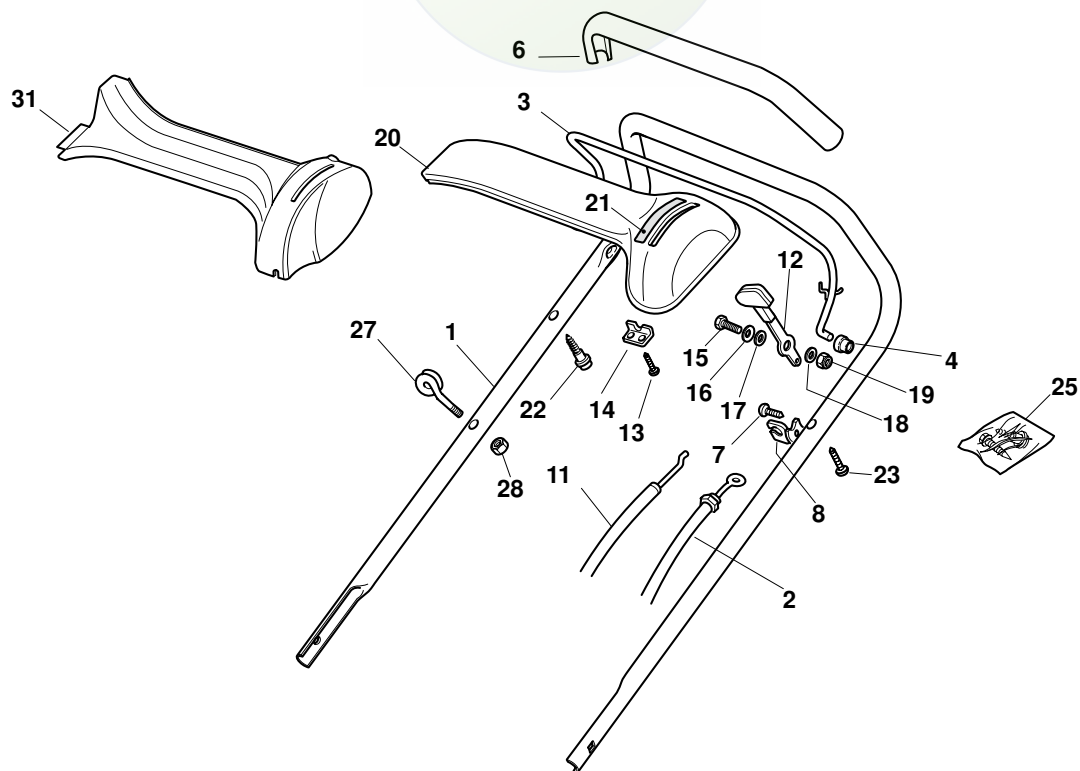
484



2009

3\_002

1 / 2



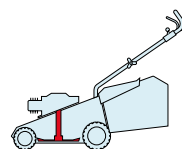
POS.	CODE	Q.TY	DESCRIZIONE	DESCRIPTION	DESCRIPTION	BESCHREIBUNG	REMARKS
1	81006855/0	1	Manico, Parte Sup	Handle, Upper Part	Mancheron, Partie Supérieure	Holm, Oberteil	
2	81000621/1	1	Cavo Freno Motore	Cable, Thread Engine Brake	Cable Frein Moteur	Kabel, Motorbremse	(B&S 450-500 Series)
2	81000633/0	1	Cavo Freno Motore	Cable, Thread Engine Brake	Cable Frein Moteur	Kabel, Motorbremse	(B&S 625 Series)
2	81000633/0	1	Cavo Freno Motore	Cable, Thread Engine Brake	Cable Frein Moteur	Kabel, Motorbremse	(B&S 675 Series)
2	81000633/0	1	Cavo Freno Motore	Cable, Thread Engine Brake	Cable Frein Moteur	Kabel, Motorbremse	(Ggp 140 cc)
2	81000615/0	1	Cavo Freno Motore	Cable, Thread Engine Brake	Cable Frein Moteur	Kabel, Motorbremse	(Ggp 150 cc)
2	81000633/0	1	Cavo Freno Motore	Cable, Thread Engine Brake	Cable Frein Moteur	Kabel, Motorbremse	(Ggp 160 cc)
2	81000639/0	1	Cavo Freno Motore	Cable, Thread Engine Brake	Cable Frein Moteur	Kabel, Motorbremse	484 (Honda Gcv 135-160)
3	81003291/3	1	Leva Freno Motore	Lever, Engine Brake	Levier Frein Moteur	Hebel, Motorbremse	
4	22041966/0	2	Bussola	Bush	Douille	Buchse	
6	22291050/0	1	Impugnatura Manico Nera	Handgrip Black	Poignée Noire	Handgriff Schwarz	
7	12728518/0	1	Vite	Screw	Vis	Schraube	
8	22806612/0	1	Supporto	Support	Support	Halter	
11	81007160/0	1	Cavo Acceleratore	Throttle Cable	Cable, Accelérateur	Gashebel Kabel	
12	81007280/2	1	Leva, Acceleratore	Lever, Throttle	Levier,	Hebel, Beshleuniger	(B&S 625-675-700 Series - Honda - Ggp 140-160-196 cc)
12	81007221/0	1	Leva, Acceleratore	Lever, Throttle	Levier,	Hebel, Beshleuniger	(B&S 450-500 Series - Ggp 150 cc)
13	12735105/0	2	Vite	Screw	Vis	Schraube	

POS.	CODE	Q.TY	DESCRIZIONE	DESCRIPTION	DESCRIPTION	BESCHREIBUNG	REMARKS
14	22981467/0	1	Piastrina	Plate	Plaque	Platte	
15	12791500/0	1	Vite	Screw	Vis	Schraube	
16	12530060/0	1	Rosetta Elastica	Elastic Washer	Rondelle Elastique	Elastische Scheibe	
18	12523040/0	2	Rosetta	Washer	Rondelle	Scheibe	
19	12154510/0	1	Dado	Nut	Ecrou	Mutter	
20	22120152/0	1	Cruscotto Giallo	Dash Board Yellow	Console Jaune	Konsole Gelbe	
20	22120154/0	1	Cruscotto Rosso	Dash Board Red	Console Rouge	Konsole Rote	
20	22120158/0	1	Cruscotto Nero	Dash Board Black	Console Noire	Konsole Schwarze	
21	114356744/1	1	Etichetta	Label	Etiquette	Etikette	(B&S)
21	114356906/1	1	Etichetta	Label	Etiquette	Etikette	(B&S 700 series DOV)
21	114356743/1	1	Etichetta	Label	Etiquette	Etikette	(GGP)
21	114356743/1	1	Etichetta	Label	Etiquette	Etikette	(Honda)
12	114357646/1	1	Etichetta	Label	Etiquette	Etikette	(Honda 160-190 Auto-choke)
22	22943006/0	1	Vite	Screw	Vis	Schraube	
23	12728460/0	1	Vite	Screw	Vis	Schraube	
25	81008609/0	1	Dotazione Viteria Cruscotto	Outfit, Dash-Board Screws	Dotation Visserie Console	Satz, Konsole Schrauben	
27	22430309/0	1	Molla Guida	Guide Spring	Ressort De Guide	Feder Führer	
28	12154330/0	1	Dado	Nut	Ecrou	Mutter	
31	22120172/0	1	Cruscotto Nero	Dash Board Black	Console Noire	Konsole Schwarze	
31	22120173/0	1	Cruscotto Rosso	Dash Board Red	Console Rouge	Konsole Rote	
31	22120174/0	1	Cruscotto Giallo	Dash Board Yellow	Console Jaune	Konsole Gelbe	

T

434

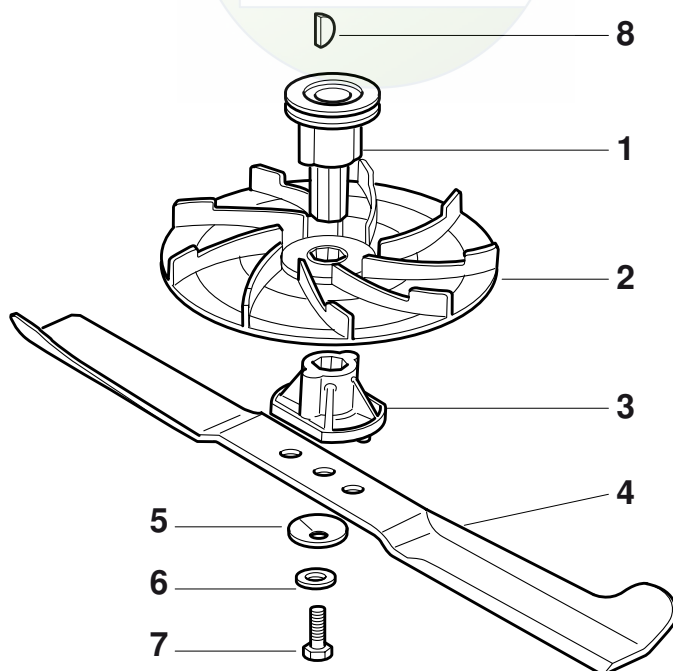
484



2009

3\_003

1 / 1

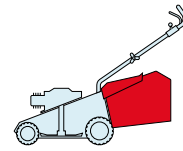


POS.	CODE	Q.TY	DESCRIZIONE	DESCRIPTION	DESCRIPTION	BESCHREIBUNG	REMARKS
1	22465605/0	1	Mozzo Girante, Albero Motore Ø 22.2	Hub Fan, Crankshaft Ø 22.2	Moyeu Ventilateur, Arbre Moteur Ø 22.2	Läufendenabe, Motorwelle Ø 22.2	
1	122465606/1	1	Mozzo Girante, Albero Motore Ø 25	Hub Fan, Crankshaft Ø 25	Moyeu Ventilateur, Arbre Moteur Ø 25	Läufendenabe, Motorwelle Ø 25	
2	22245080/0	1	Girante	Fan	Ventilateur	Lüfter	
3	22465604/0	1	Mozzo	Hub	Moyeu	Halter	
4	81004341/3	1	Coltello Standard	Blade Standard	Lame Standard	Messer Standard	434
4	81004396/0	1	Coltello Alettato	Blade Winged	Lame Ailette	Messer Flügel	434
4	81004346/3	1	Coltello Standard	Blade Standard	Lame Standard	Messer Standard	484
4	81004397/0	1	Coltello Alettato	Blade Winged	Lame Ailette	Messer Flügel	484
5	22160400/0	1	Disco Elastico	Elastic Washer	Rondelle Elastique	Elastischescheibe	
6	12523080/0	1	Rosetta	Washer	Rondelle	Scheibe	
7	12736820/0	1	Vite	Screw	Vis	Schraube	
8	12139100/0	1	Linguetta, Albero Motore Ø 22.2	Feather, Crankshaft Ø 22.2	Clavette, Arbre Moteur Ø 22.2	Keil, Motorwelle Ø 22.2	
8	12139150/0	1	Linguetta, Albero Motore Ø 25	Feather, Crankshaft Ø 25	Clavette, Arbre Moteur Ø 25	Keil, Motorwelle Ø 25	

T

434

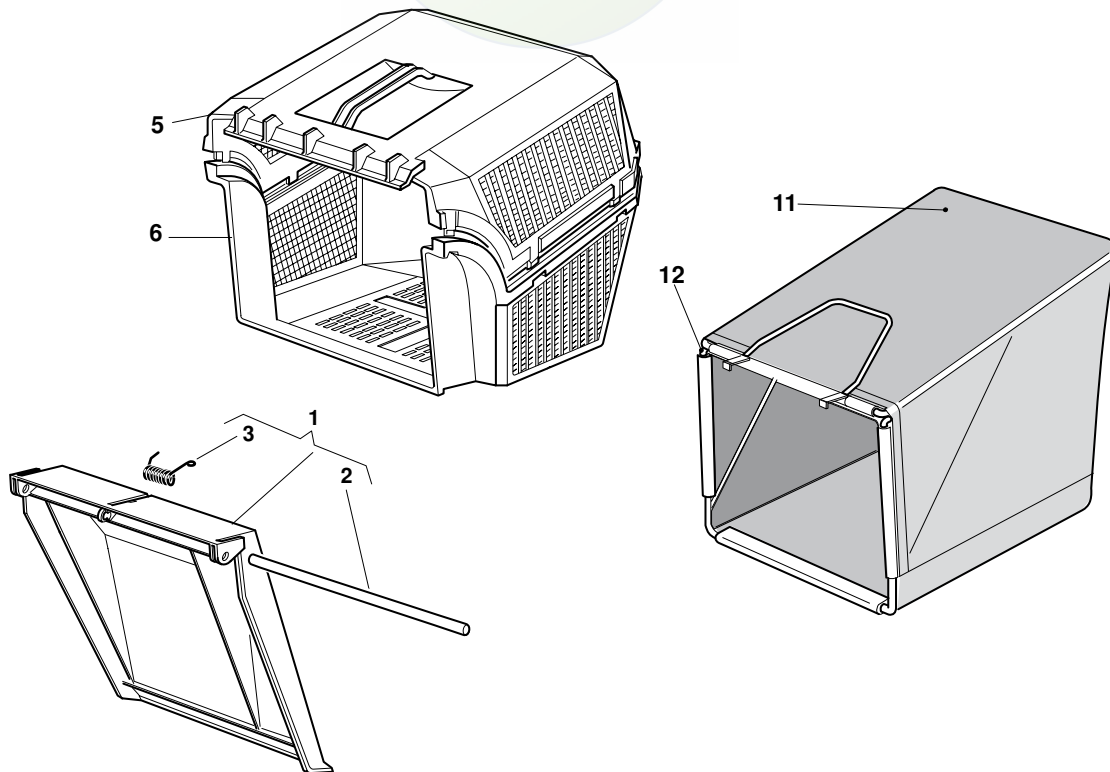
484



2009

3\_004

1 / 1

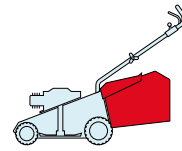


POS.	CODE	Q.TY	DESCRIZIONE	DESCRIPTION	DESCRIPTION	BESCHREIBUNG	REMARKS
1	381008041/0	1	Parasassi	Stone-Guard	Pare-Pierres	Prallblech	
2	22450270/0	1	Molla	Spring	Ressort	Feder	
3	22517907/0	1	Perno	Pin	Pivot	Bolzen	
5	22486065/0	1	Sacco, Parte Sup	Grass-Box, Upper	Sac, Partie Superieure	Korb, Oberteil	
5	22486064/0	1	Sacco, Parte Inf	Grass-Box, Lower	Sac, Partie Inferieure	Korb, Unterteil	
11	81002124/1	1	Sacco, Tela	Box, Fabric	Sac, Toile	Sack, Tuck	
12	81006430/0	1	Telaio Sacco	Chassis Box	Châssis Bac	Rahmen Sack	

T

434

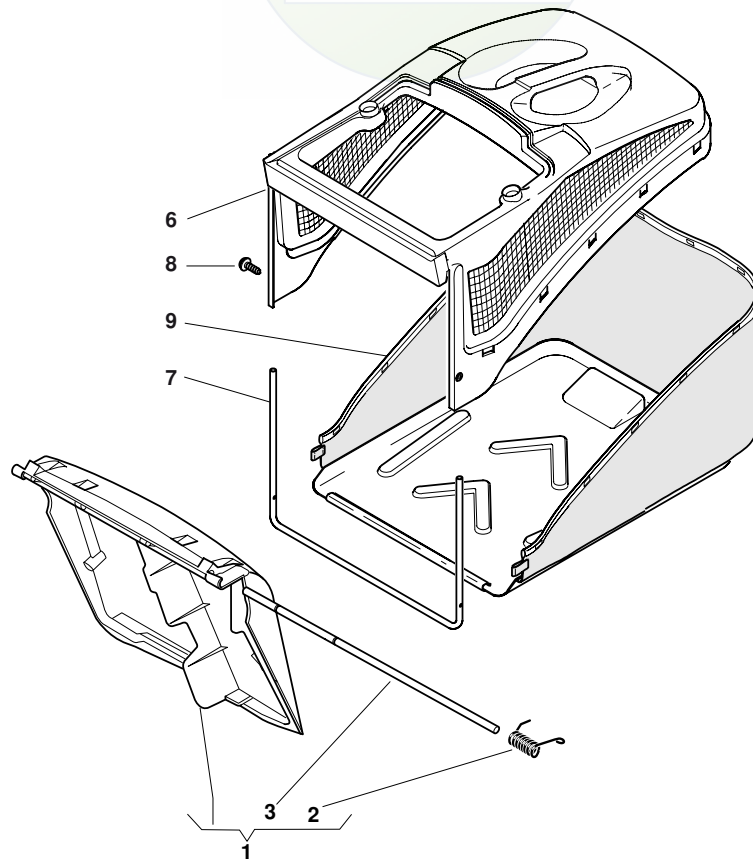
484



2009

3\_005

1 / 1

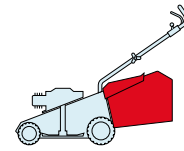


POS.	CODE	Q.TY	DESCRIZIONE	DESCRIPTION	DESCRIPTION	BESCHREIBUNG	REMARKS
1	381008042/0	1	Parasassi	Stone-Guard	Pare-Pierres	Prallblech	
2	22451000/0	1	Molla	Spring	Ressort	Feder	
3	22517907/0	1	Perno	Pin	Pivot	Bolzen	
6	22486094/0	1	Sacco, Parte Sup	Grass-Box, Upper	Sac, Partie	Korb, Oberteil	
7	22608524/0	1	Rinforzo Inf	Stiffening Lower	Réinforcement Inf	Verstärkung	
8	12728445/0	2	Vite	Screw	Vis	Schraube	
9	81002196/0	1	Sacco, Tela	Box, Fabric	Sac, Toile	Sack, Tuck	

T

434

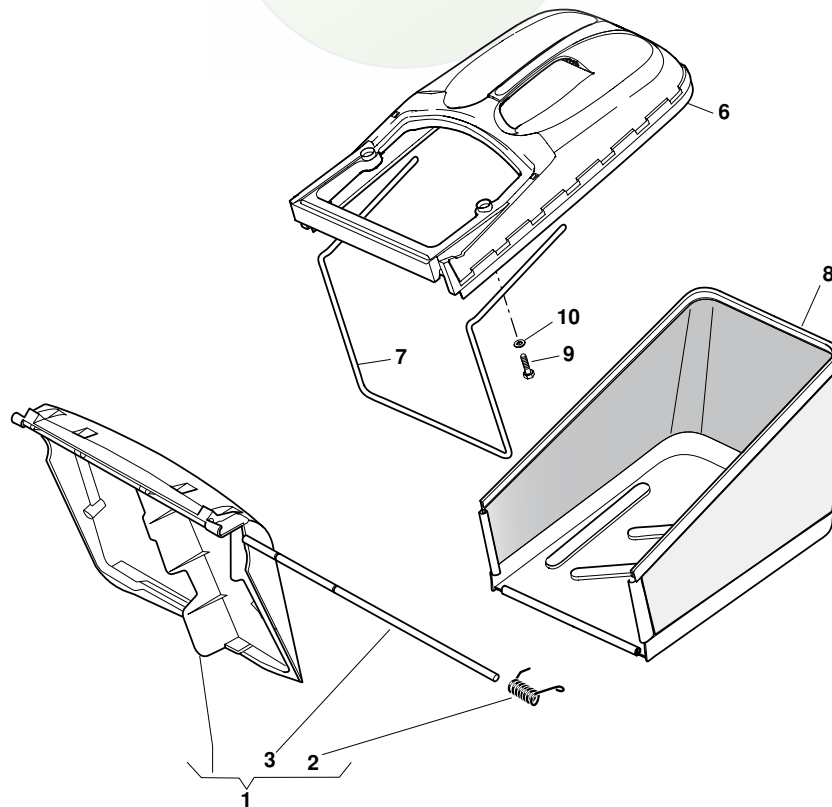
484



2009

3\_006

1 / 1



POS.	CODE	Q.TY	DESCRIZIONE	DESCRIPTION	DESCRIPTION	BESCHREIBUNG	REMARKS
1	381008042/0	1	Parasassi	Stone-Guard	Pare-Pierres	Prallblech	
2	22451000/0	1	Molla	Spring	Ressort	Feder	
3	22517857/0	1	Perno	Pin	Pivot	Bolzen	
6	22486102/0	1	Sacco, Parte Sup	Grass-Box, Upper	Sac, Partie	Korb, Oberteil	
7	22608526/0	1	Rinforzo Inf	Stiffening Lower	Réinforcement Inf	Verstärkung	
8	81002212/0	1	Sacco, Tela	Box, Fabric	Sac, Toile	Sack, Tuck	
9	12728680/0	2	Vite	Screw	Vis	Schraube	
10	12523050/0	2	Rosetta	Washer	Rondelle	Scheibe	