

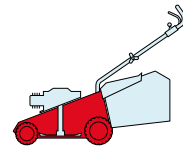
PAN 504

TR

TR-E

TR 4S

TR-E 4S

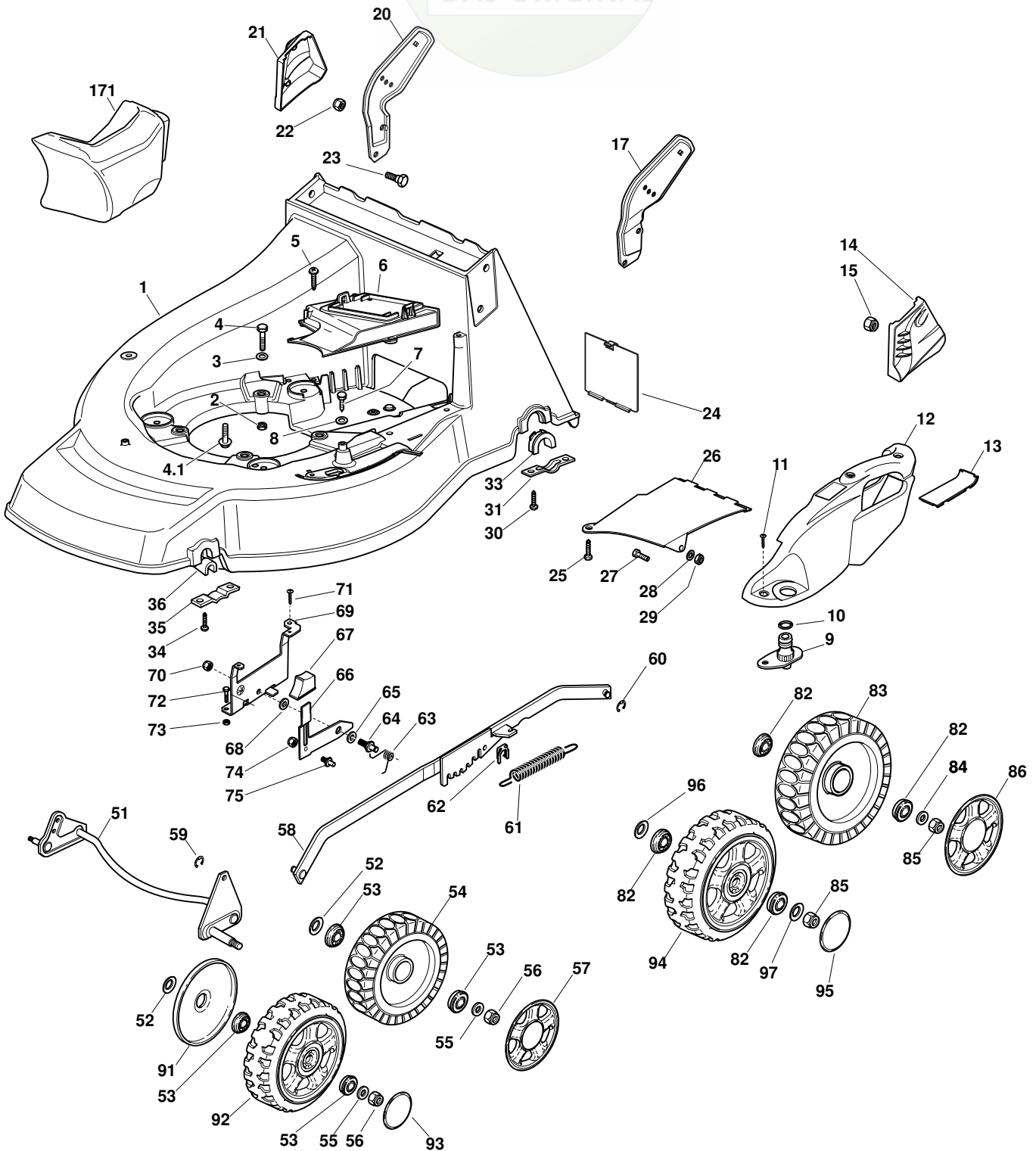


2009

52_001

1 / 3

DAS ORIGINAL



POS.	CODE	Q.TY	DESCRIZIONE	DESCRIPTION	DESCRIPTION	BESCHREIBUNG	REMARKS
1	81003500/0	1	Chassis Rosso	Deck Red	Châssis Rouge	Gehäuse Rot	
2	12155000/0	3	Dado	Nut	Ecrou	Mutter	
3	12521350/0	3	Rosetta	Washer	Rondelle	Scheibe	
4	12691800/0	2	Vite	Screw	Vis	Schraube	(B&S)
4	12692080/0	1	Vite	Screw	Vis	Schraube	(B&S)

POS.	CODE	Q.TY	DESCRIZIONE	DESCRIPTION	DESCRIPTION	BESCHREIBUNG	REMARKS
4	12691900/0	3	Vite	Screw	Vis	Schraube	(GGP)
4A	112735108/1	3	Vite	Screw	Vis	Schraube	(Honda)
5	12728522/0	2	Vite	Screw	Vis	Schraube	
6	22060221/0	1	Carter Cinghia	Protection, Belt	Protection	Schutz, Riemen	
7	12729600/0	1	Vite	Screw	Vis	Schraube	
8	12523040/0	2	Rosetta	Washer	Rondelle	Scheibe	
9	22034000/0	1	Attacco Acqua Lavaggio	Washing Connection	Attaque Lavage	Waschenverbindung	
10	19035000/0	1	Anello Or	Or Ring	Bague Or	Ring Or	
11	12728520/0	3	Vite	Screw	Vis	Schraube	
12	22060146/0	1	Carter Regolazione	Deck, Adjustment	Châssis Reglage	Gehäuse	
13	22546070/0	1	Piastrina	Plate	Plaquette	Platte	
14	22601003/0	1	Protezione	Protection	Protection	Schutz	
15	12155000/0	2	Dado	Nut	Ecrou	Mutter	
17	22778397/1	1	Staffa Sx	Bracket, L	Bride G	Pratze, Linke	
20	22778396/1	1	Staffa Dx	Bracket, R	Bride D	Pratze, Rechte	
21	322601002/1	1	Protezione	Protection	Protection	Schutz	
22	12155000/0	2	Dado	Nut	Ecrou	Mutter	
23	12793301/0	2	Vite	Screw	Vis	Schraube	
24	22595352/0	1	Portina Chiusura	Inspection Door	Voyant De Visite	Abdeckplatte	
25	12729600/0	1	Vite	Screw	Vis	Schraube	
26	22108205/0	1	Convogliatore	Conveyor	Convoyeur	Konveyor	
27	12789000/0	1	Vite	Screw	Vis	Schraube	
28	12523020/0	1	Rosetta	Washer	Rondelle	Scheibe	
29	12154330/0	1	Dado	Nut	Ecrou	Mutter	
30	12731350/0	4	Vite	Screw	Vis	Schraube	
31	22545147/0	2	Piastrina	Plate	Plaquette	Platte	
33	22038407/0	2	Bronzina	Brass	Douille	Buchse	
34	12731350/0	4	Vite	Screw	Vis	Schraube	
35	22545156/0	2	Piastrina	Plate	Plaquette	Platte	
36	22038400/1	2	Bronzina	Brass	Douille	Buchse	
51	81002801/1	1	Asse Ruote Anteriori	Axle, Front Wheels	Axe Roues Avant	Achse, Vorderrad	
52	12530150/0	2	Rosetta Elastica	Elastic Washer	Rondelle Elastique	Elastische Scheibe	
53	22122200/0	4	Cuscinetto	Bearing	Coussinet	Lager	
54	81007317/0	2	Ruota Ø 170	Wheel Ø 170	Roue Ø 170	Rad. Ø 170	
55	12369500/0	2	Rosetta	Washer	Rondelle	Scheibe	
56	12155000/0	2	Dado	Nut	Ecrou	Mutter	
57	-	2	Coprizzo	Hub Cap	Couvre-Moyeu	Radkappe	(See Enclosure 1)
58	81001137/0	1	Asta Comando Regol. Altezza	Rod, Height Adjustment	Tige Commande Reglage Hauteur	Stange, Höherstellung	
59	12000930/0	1	Anello Elastico	Snap Ring	Anneau Ressort	Sprengling	
60	12000930/0	1	Anello Elastico	Snap Ring	Anneau Ressort	Sprengling	
61	122446187/0	1	Molla	Spring	Ressort	Feder	
62	112436051/0	1	Piastrina	Plate	Plaquette	Plättchen	
63	22446176/0	1	Molla	Spring	Ressort	Feder	
64	22517880/1	1	Perno	Pin	Pivot	Bolzen	
65	22672152/0	1	Rosetta	Washer	Rondelle	Scheibe	
66	22322829/1	1	Leva Regolazione Altezza	Lever, Height Adjustment	Levier, Reglage Hauteur	Hebel, Höherstellung	
67	22602000/0	1	Pulsante Comando	Pushbutton, Lever	Bouton De	Steuerhebeldruckk	
68	22672151/0	1	Rosetta	Washer	Rondelle	Scheibe	
69	22785115/0	1	Supporto	Support, Height	Support Reglage	Halter,	
70	12155000/0	1	Dado	Nut	Ecrou	Mutter	
71	12729600/0	1	Vite	Screw	Vis	Schraube	
72	12793101/0	2	Vite	Screw	Vis	Schraube	

POS.	CODE	Q.TY	DESCRIZIONE	DESCRIPTION	DESCRIPTION	BESCHREIBUNG	REMARKS
73	12293201/0	2	Dado	Nut	Ecrou	Mutter	
74	12154510/0	1	Dado	Nut	Ecrou	Mutter	
75	22519746/0	1	Perno	Pin	Pivot	Bolzen	
82	22122200/0	4	Cuscinetto	Bearing	Coussinet	Lager	
83	81007318/1	2	Ruota Ø 210	Wheel Ø 210	Roue Ø 210	Rad. Ø 210	
84	12369500/0	2	Rosetta	Washer	Rondelle	Scheibe	
85	12155000/0	2	Dado	Nut	Ecrou	Mutter	
86	-	2	Coprimezzo	Hub Cap	Couvre-Moyeu	Radkappe	(See Enclosure 2)
91	22600144/0	2	Protezione	Protection	Protection	Schutz	
92	81007376/0	2	Ruota Ø 170	Wheel Ø 170	Roue Ø 170	Rad. Ø 170	
93	22110418/0	2	Coprimezzo	Hub Cap	Couvre-Moyeu	Radkappe	
94	81007382/0	2	Ruota Ø 210	Wheel Ø 210	Roue Ø 210	Rad. Ø 210	
95	22110419/0	2	Coprimezzo	Hub Cap	Couvre-Moyeu	Radkappe	
96	22675100/0	2	Rosetta	Washer	Rondelle	Scheibe	
97	22675100/0	2	Rosetta	Washer	Rondelle	Scheibe	
171	22140224/0	1	Tappo	Cap	Bouchon	Gummistopfen	

PAN 504

2009

52_002

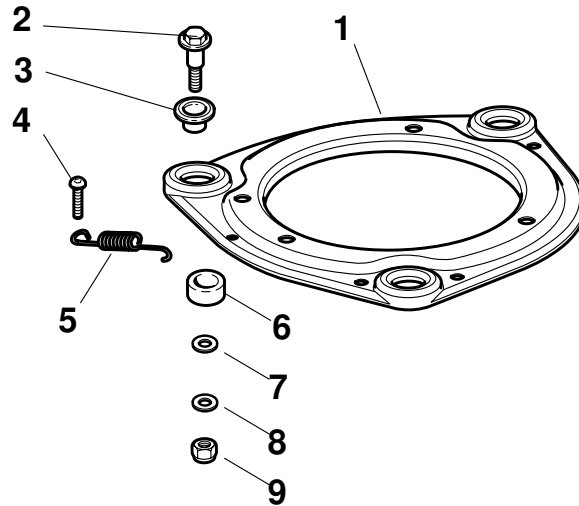
TR

TR-E

TR 4S

TR-E 4S

1 / 1



POS.	CODE	Q.TY	DESCRIZIONE	DESCRIPTION	DESCRIPTION	BESCHREIBUNG	REMARKS
1	22207223/0	1	Flangia	Flange	Bride	Flansch	
2	22524329/0	3	Perno	Pin	Pivot	Bolzen	
3	22672201/0	3	Rosetta	Washer	Rondelle	Scheibe	
4	12729601/1	1	Vite	Screw	Vis	Schraube	
5	22450445/0	1	Molla	Spring	Ressort	Feder	
6	22250012/0	3	Gommino	Grommet	Caoutchouc	Gummi	
7	22671651/0	3	Rosetta	Washer	Rondelle	Scheibe	
8	12521350/0	3	Rosetta	Washer	Rondelle	Scheibe	
9	12155000/0	3	Dado	Nut	Ecrou	Mutter	

PAN 504

2009

52_003

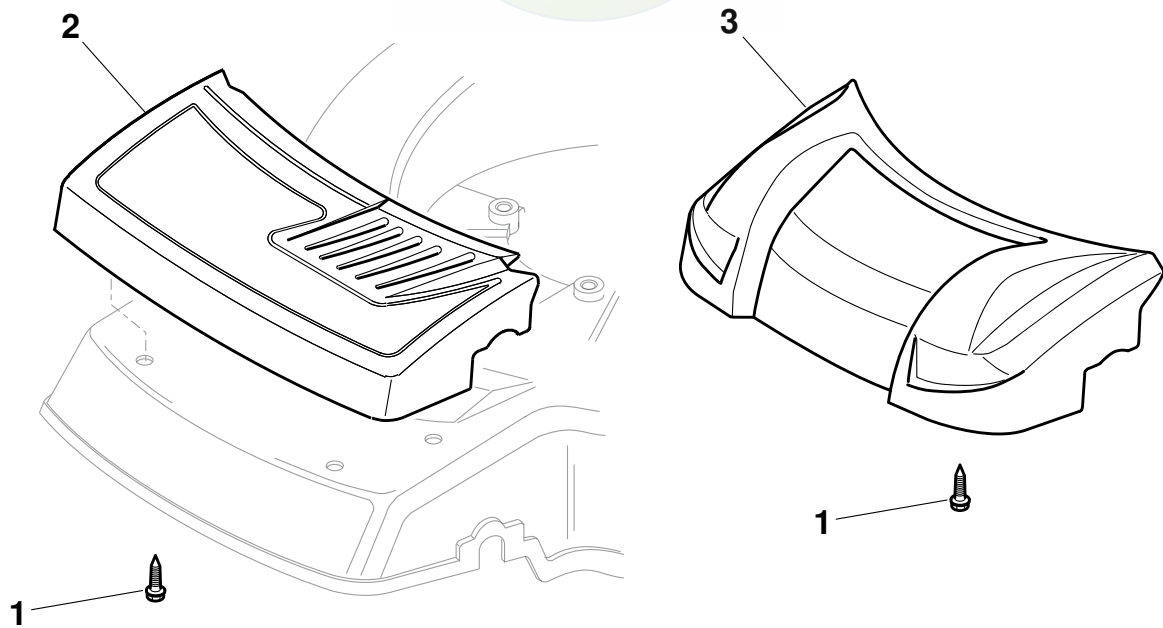
1 / 1

TR

TR-E

TR 4S

TR-E 4S



POS.	CODE	Q.TY	DESCRIZIONE	DESCRIPTION	DESCRIPTION	BESCHREIBUNG	REMARKS
1	112735420/0	4	Vite	Screw	Vis	Schraube	
2	22226050/0	1	Mascherina, Nero	Mask, Black	Mesque, Noir	Maske, Schwarz	
3	322226112/1	1	Mascherina, Grigio	Mask, Grey	Mesque, Gris	Maske, Grau	

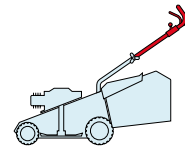
PAN 504

TR

TR-E

TR 4S

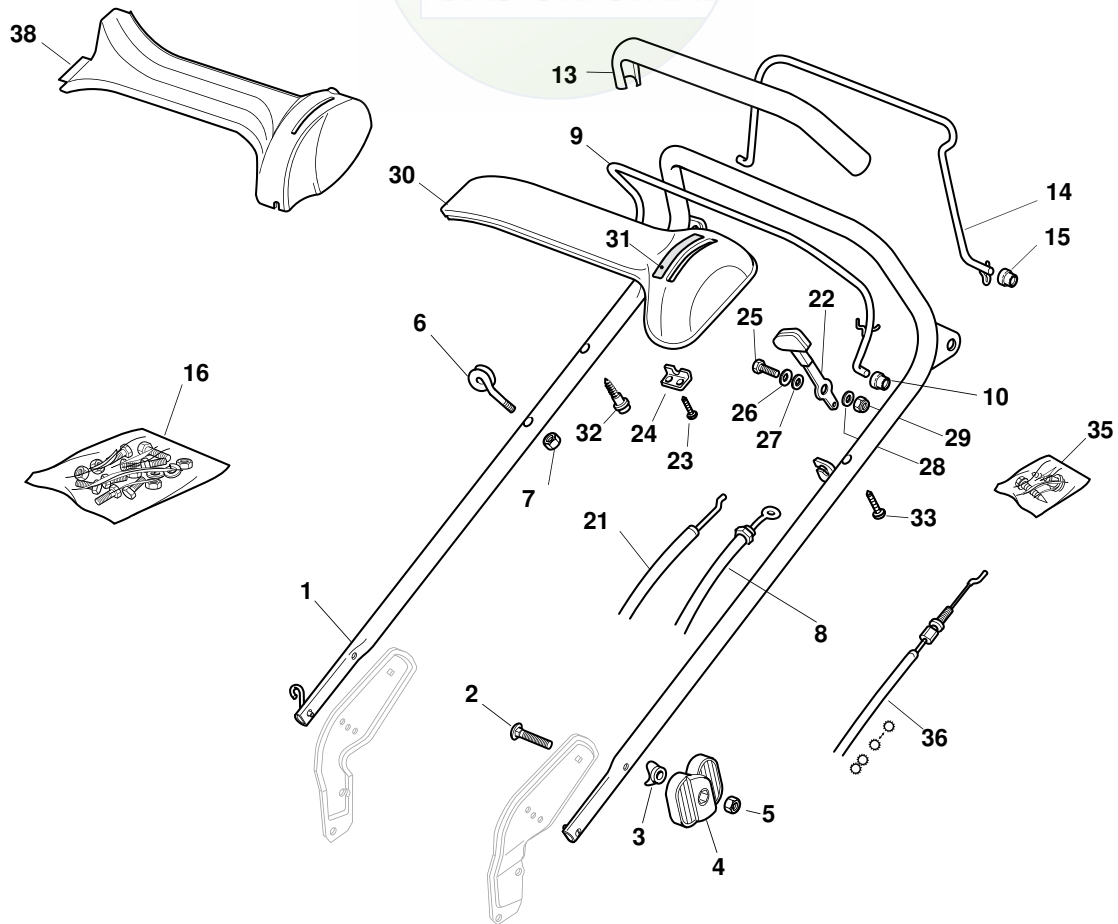
TR-E 4S



2009

52_004

1 / 2



POS.	CODE	Q.TY	DESCRIZIONE	DESCRIPTION	DESCRIPTION	BESCHREIBUNG	REMARKS
1	81006861/0	1	Manico, Parte Sup	Handle, Upper Part	Mancheron, Partie Supérieure	Holm, Oberteil	
2	12819120/0	2	Vite	Screw	Vis	Schraube	
3	22680006/1	2	Rosetta	Washer	Rondelle	Scheibe	
4	22399803/0	2	Manopolina	Knob	Poignée	Griff	
5	12293200/0	2	Dado	Nut	Ecrou	Mutter	
6	22430309/0	1	Molla Guida	Guide Spring	Ressort De Guide	Feder Führer	
7	12154330/0	1	Dado	Nut	Ecrou	Mutter	
8	81000642/1	1	Cavo Freno Motore	Cable, Thread Engine Brake	Cable Frein Moteur	Kabel, Motorbremse	(B&S 625-675 Series)
8	81000757/0	1	Cavo Freno Motore	Cable, Thread Engine Brake	Cable Frein Moteur	Kabel, Motorbremse	(Ggp 140cc)
8	81000757/0	1	Cavo Freno Motore	Cable, Thread Engine Brake	Cable Frein Moteur	Kabel, Motorbremse	(Ggp 160cc)
8	81000757/0	1	Cavo Freno Motore	Cable, Thread Engine Brake	Cable Frein Moteur	Kabel, Motorbremse	(Ggp 196cc)
8	81000616/1	1	Cavo Freno Motore	Cable, Thread Engine Brake	Cable Frein Moteur	Kabel, Motorbremse	(Honda)
9	81003291/3	1	Leva Freno Motore	Lever, Engine Brake	Levier Frein Moteur	Hebel, Motorbremse	
10	22041966/0	2	Bussola	Bush	Douille	Buchse	
11	12728518/0	1	Vite	Screw	Vis	Schraube	
12	22806612/0	1	Supporto	Support	Support	Halter	
13	22291050/0	1	Impugnatura Manico Nera	Handgrip Black	Poignée Noire	Handgriff Schwarz	
14	81003288/1	1	Leva Trazione	Lever, Driving	Levier Traction	Hebel, Antrieb	
15	22041965/1	2	Bussola	Bush	Douille	Buchse	
16	81008610/0	1	Dotazione Viteria	Outfit, Screws	Dotation Visserie	Satz, Schrauben	
21	81007160/0	1	Cavo Acceleratore	Throttle Cable	Cable, Accelérateur	Gashebel Kabel	

POS.	CODE	Q.TY	DESCRIZIONE	DESCRIPTION	DESCRIPTION	BESCHREIBUNG	REMARKS
22	81007280/2	1	Leva, Acceleratore	Lever, Throttle	Levier,	Hebel, Beshleuniger	(B&S 625-675-700 Series - Honda - Ggp 140-160-196 cc)
22	81007221/0	1	Leva, Acceleratore	Lever, Throttle	Levier,	Hebel, Beshleuniger	(B&S 450-500 Series - Ggp 150 cc)
23	12735105/0	2	Vite	Screw	Vis	Schraube	
24	22981467/0	1	Piastrina	Plate	Plaquette	Platte	
25	12791500/0	1	Vite	Screw	Vis	Schraube	
26	12530060/0	1	Rosetta Elastica	Elastic Washer	Rondelle Elastique	Elastische Scheibe	
27	12523040/0	1	Rosetta	Washer	Rondelle	Scheibe	
28	12523040/0	1	Rosetta	Washer	Rondelle	Scheibe	
29	12154510/0	1	Dado	Nut	Ecrou	Mutter	
30	22120152/0	1	Cruscotto Giallo	Dash Board Yellow	Console Jaune	Konsole Gelbe	
30	22120154/0	1	Cruscotto Rosso	Dash Board Red	Console Rouge	Konsole Rote	
30	22120158/0	1	Cruscotto Nero	Dash Board Black	Console Noire	Konsole Schwarze	
31	114356744/1	1	Etichetta	Label	Etiquette	Etikette	(B&S)
31	114356906/1	1	Etichetta	Label	Etiquette	Etikette	(B&S 700 series DOV)
31	114356743/1	1	Etichetta	Label	Etiquette	Etikette	(GGP)
31	114356743/1	1	Etichetta	Label	Etiquette	Etikette	(Honda)
31	114357646/1	1	Etichetta	Label	Etiquette	Etikette	(Honda GCV 160-190 Autochoke)
32	22943006/0	1	Vite	Screw	Vis	Schraube	
33	12728460/0	1	Vite	Screw	Vis	Schraube	
35	81008609/0	1	Dotazione Viteria Cruscotto	Outfit, Dash-Board Screws	Dotation Visserie Console	Satz, Konsole Schrauben	
36	81000673/0	1	Cavo Comando Trazione	Cable, Rear Drive	Câble, Commande Traction	Kabel, Antrieb	(Bi Ci Di)
36	81000669/0	1	Cavo Comando Trazione	Cable, Rear Drive	Câble, Commande Traction	Kabel, Antrieb	(General Transmission)
38	22120172/0	1	Cruscotto Nero	Dash Board Black	Console Noire	Konsole Schwarze	
38	22120173/0	1	Cruscotto Rosso	Dash Board Red	Console Rouge	Konsole Rote	
38	22120174/0	1	Cruscotto Giallo	Dash Board Yellow	Console Jaune	Konsole Gelbe	

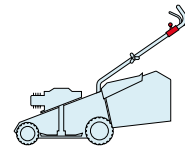
PAN 504

TR

TR-E

TR 4S

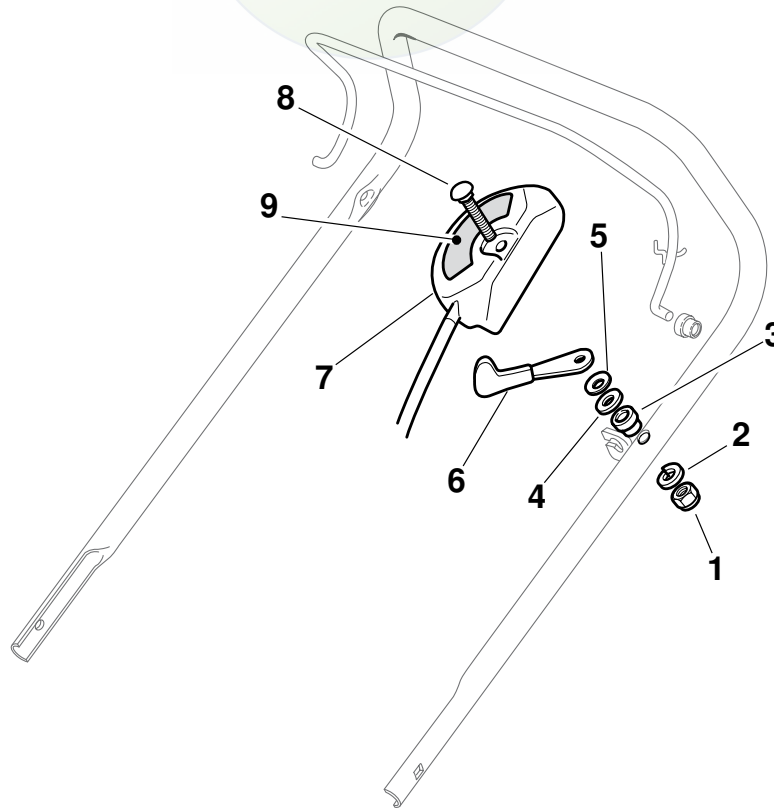
TR-E 4S



2009

52_005

1 / 1



POS.	CODE	Q.TY	DESCRIZIONE	DESCRIPTION	DESCRIPTION	BESCHREIBUNG	REMARKS
1	12291000/0	1	Dado	Nut	Ecrou	Mutter	
2	12581500/0	1	Grower	Grower	Grower	Federring	
3	22171005/0	1	Distanziale	Spacer	Entretoise	Distanzring	
4	12521360/0	1	Rosetta	Washer	Rondelle	Scheibe	
5	12508100/0	1	Rosetta Elastica	Spring Washer	Rondelle Elastique	Elastische Scheibe	
6	81007279/1	1	Leva, Acceleratore	Lever, Throttle	Levier, Accelérateur	Hebel, Beshleuniger	(B&S 625-675-700 Series - Honda - Ggp 140-160-196 cc)
6	81007220/0	1	Leva, Acceleratore	Lever, Throttle	Levier, Accelérateur	Hebel, Beshleuniger	(B&S 450-500 Series - Ggp 150 cc)
7	81007080/0	1	Cavo Acceleratore	Throttle Cable	Cable, Accelérateur	Gashebel Kabel	
8	12815000/0	1	Vite	Screw	Vis	Schraube	
9	14356703/0	1	Etichetta	Label	Etiquette	Etikette	(B&S)
9	114356905/0	1	Etichetta	Label	Etiquette	Etikette	(B&S 700 series DOV)
9	14356702/0	1	Etichetta	Label	Etiquette	Etikette	(GGP)
9	114364264/0	1	Etichetta	Label	Etiquette	Etikette	AVS (GGP 160-196)
9	14356702/0	1	Etichetta	Label	Etiquette	Etikette	(Honda)
9	114356905/0	1	Etichetta	Label	Etiquette	Etikette	(Honda GCV 160-190 Autochoke)

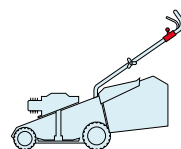
PAN 504

TR

TR-E

TR 4S

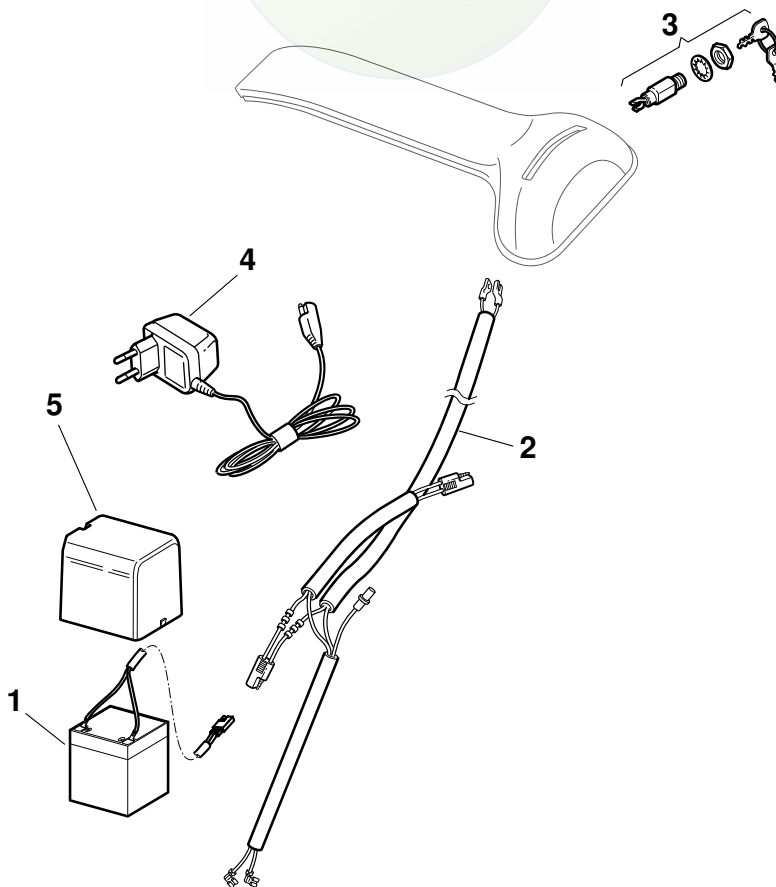
TR-E 4S



2009

52_006

1 / 1



POS.	CODE	Q.TY	DESCRIZIONE	DESCRIPTION	DESCRIPTION	BESCHREIBUNG	REMARKS
1	18120052/0	1	Batteria	Battery	Batterie	Batterie	
2	118204192/3	1	Cavo Avviamento	Cable, Start	Cable Démarrage	Kabel, Start	(B&S - Ggp)
2	18204198/0	1	Cavo Avviamento	Cable, Start	Cable Démarrage	Kabel, Start	(Honda)
3	18450050/0	1	Interruttore	Switch	Interrupteur	Schalter	
4	18204120/0	1	Carica Batteria	Battery Charger	Chargeur De	Ladgerät	
4	18204121/0	1	Carica Batteria	Battery Charger	Chargeur De	Ladgerät	(Uk)
5	22109530/0	1	Coperchio	Cover	Couvercle	Deckel	

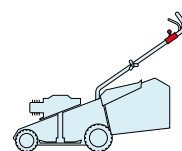
PAN 504

TR

TR-E

TR 4S

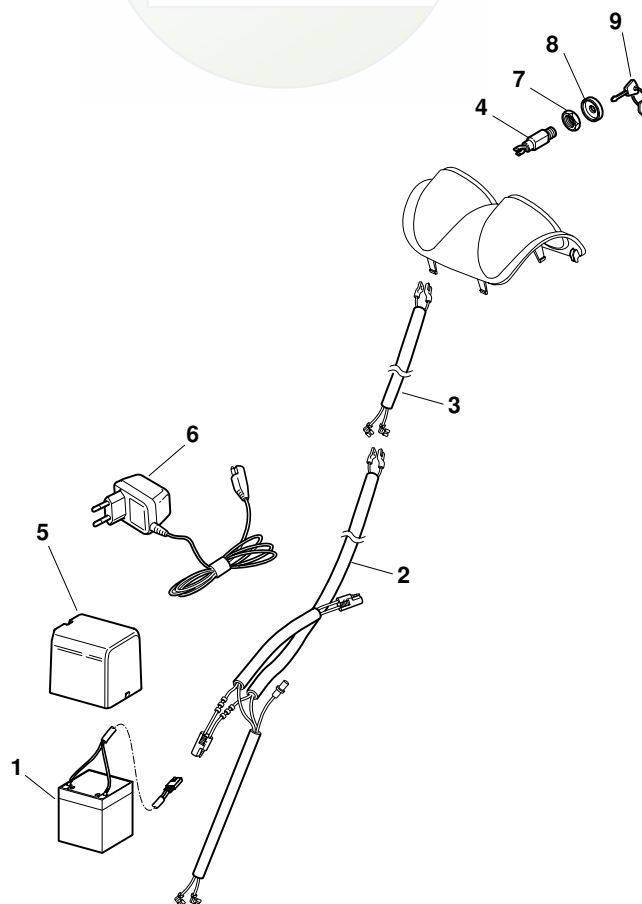
TR-E 4S



2009

52_007

1 / 1



POS.	CODE	Q.TY	DESCRIZIONE	DESCRIPTION	DESCRIPTION	BESCHREIBUNG	REMARKS
1	18120052/0	1	Batteria	Battery	Batterie	Batterie	
2	118204192/3	1	Cavo Avviamento	Cable, Start	Cable Démarrage	Kabel, Start	(B&S - Ggp)
2	18204198/0	1	Cavo Avviamento	Cable, Start	Cable Démarrage	Kabel, Start	(Honda)
3	18204199/0	1	Cavo	Cable	Cable	Kabel	
4	18450050/0	1	Interruttore	Switch	Interrupteur	Schalter	
5	22109530/0	1	Coperchio	Cover	Couvercle	Deckel	
6	18204120/0	1	Carica Batteria	Battery Charger	Chargeur De	Ladgerät	
6	18204121/0	1	Carica Batteria	Battery Charger	Chargeur De	Ladgerät	(Uk)
7	18400861/0	1	Ghiera	Ringnut	Embout	Nutmutter	
8	18565351/0	1	Protezione Ghiera	Ringnut Protection	Protection Embout	Nutmutter Schutz	
9	18210016/1	1	Chiave Avviamento	Starting Key	Clef A Demarrage	Schlüssel Für Start	

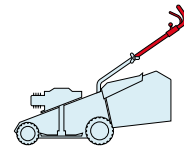
PAN 504

TR

TR-E

TR 4S

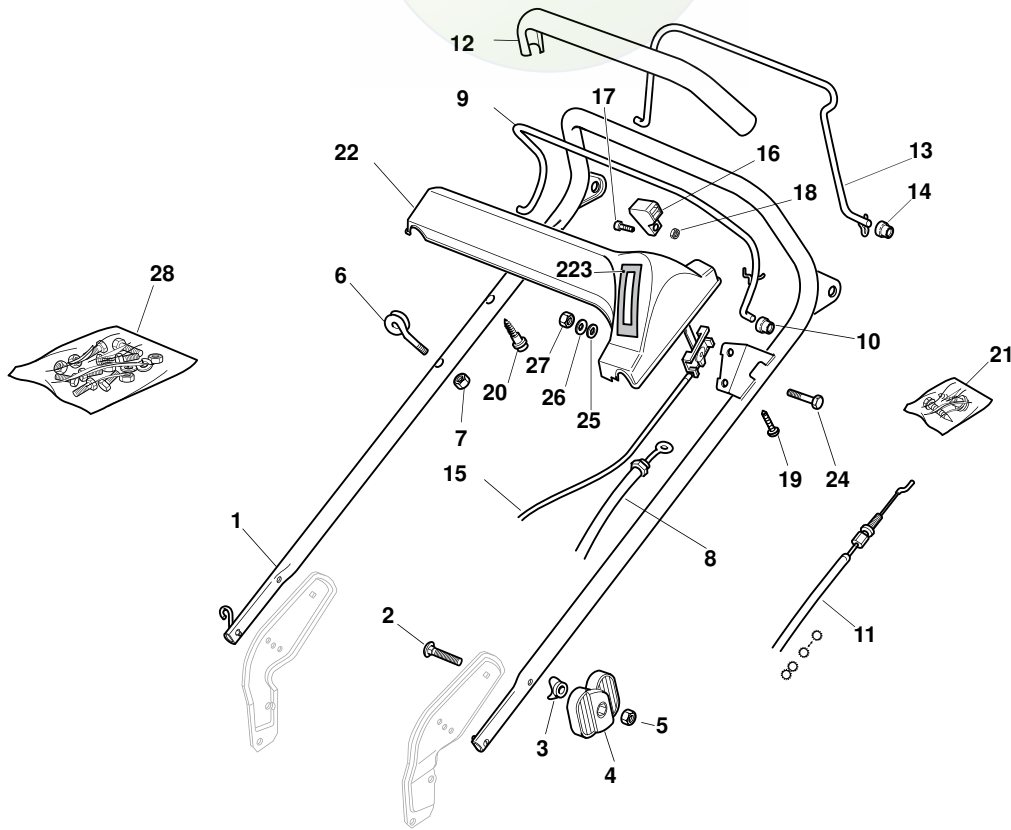
TR-E 4S



2009

52_008

1 / 2



POS.	CODE	Q.TY	DESCRIZIONE	DESCRIPTION	DESCRIPTION	BESCHREIBUNG	REMARKS
1	81007028/1	1	Manico, Parte Sup	Handle, Upper Part	Mancheron, Partie Supérieure	Holm, Oberteil	
2	12819120/0	2	Vite	Screw	Vis	Schraube	
3	22680006/1	2	Rosetta	Washer	Rondelle	Scheibe	
4	22399803/0	2	Manopolina	Knob	Poignée	Griff	
5	12293200/0	2	Dado	Nut	Ecrou	Mutter	
6	22430309/0	1	Molla Guida	Guide Spring	Ressort De Guide	Feder Führer	
7	12154330/0	1	Dado	Nut	Ecrou	Mutter	
8	81000757/0	1	Cavo Freno Motore	Cable, Thread Engine Brake	Cable Frein Moteur	Kabel, Motorbremse	(B&S 625-675 Series)
8	181030006/0	1	Cavo Freno Motore	Cable, Thread Engine Brake	Cable Frein Moteur	Kabel, Motorbremse	(B&S 700 Series)
8	81000757/0	1	Cavo Freno Motore	Cable, Thread Engine Brake	Cable Frein Moteur	Kabel, Motorbremse	(Ggp 140cc)
8	81000757/0	1	Cavo Freno Motore	Cable, Thread Engine Brake	Cable Frein Moteur	Kabel, Motorbremse	(Ggp 160cc)
8	81000757/0	1	Cavo Freno Motore	Cable, Thread Engine Brake	Cable Frein Moteur	Kabel, Motorbremse	(Ggp 196cc)
8	81000616/1	1	Cavo Freno Motore	Cable, Thread Engine Brake	Cable Frein Moteur	Kabel, Motorbremse	(Honda)
9	81003291/3	1	Leva Freno Motore	Lever, Engine Brake	Levier Frein Moteur	Hebel, Motorbremse	
10	22041966/0	2	Bussola	Bush	Douille	Buchse	
11	81000673/0	1	Cavo Comando Trazione	Cable, Rear Drive	Câble, Commande Traction	Kabel, Antrieb	(Bi Ci Di)
11	81000669/0	1	Cavo Comando Trazione	Cable, Rear Drive	Câble, Commande Traction	Kabel, Antrieb	(General Transmission)
12	22291050/0	1	Impugnatura Manico Nera	Handgrip Black	Poignée Noire	Handgriff Schwarz	
13	81003288/1	1	Leva Trazione	Lever, Driving	Levier Traction	Hebel, Antrieb	
14	22041965/1	2	Bussola	Bush	Douille	Buchse	
15	81007091/0	1	Cavo Acceleratore	Throttle Cable	Cable, Accelérateur	Gashebel Kabel	(B&S)
15	81007092/0	1	Cavo Acceleratore	Throttle Cable	Cable, Accelérateur	Gashebel Kabel	(Honda - GGP)

POS.	CODE	Q.TY	DESCRIZIONE	DESCRIPTION	DESCRIPTION	BESCHREIBUNG	REMARKS
16	22399801/0	1	Manopolina	Knob	Poignée	Griff	
17	12726388/0	1	Vite	Screw	Vis	Schraube	
18	12290800/0	1	Dado	Nut	Ecrou	Mutter	
19	12728460/0	1	Vite	Screw	Vis	Schraube	
20	22943006/0	1	Vite	Screw	Vis	Schraube	
21	81008499/1	1	Dotazione Viteria Cruscotto	Outfit, Dash-Board Screws	Dotation Visserie Consolle	Satz, Konsole Schrauben	
22	22120148/0	1	Cruscotto Giallo	Dash Board Yellow	Console Jaune	Konsole Gelbe	
22	22120150/0	1	Cruscotto Rosso	Dash Board Red	Console Rouge	Konsole Rote	
22	22120164/0	1	Cruscotto Nero	Dash Board Black	Console Noire	Konsole Schwarze	
23	14361477/0	1	Etichetta	Label	Etiquette	Etikette	(Ggp)
23	14356693/0	1	Etichetta	Label	Etiquette	Etikette	(B&S)
23	14356692/0	1	Etichetta	Label	Etiquette	Etikette	(Honda)
23	114357387/0	1	Etichetta	Label	Etiquette	Etikette	(Honda GCV 160-190 Autochoke)
24	12788910/0	2	Vite	Screw	Vis	Schraube	
25	12523020/0	2	Rosetta	Washer	Rondelle	Scheibe	
26	12581500/0	2	Grower	Grower	Grower	Federring	
27	12291000/0	2	Dado	Nut	Ecrou	Mutter	
28	81008610/0	1	Dotazione Viteria	Outfit, Screws	Dotation Visserie	Satz, Schrauben	

PAN 504

TR

TR-E

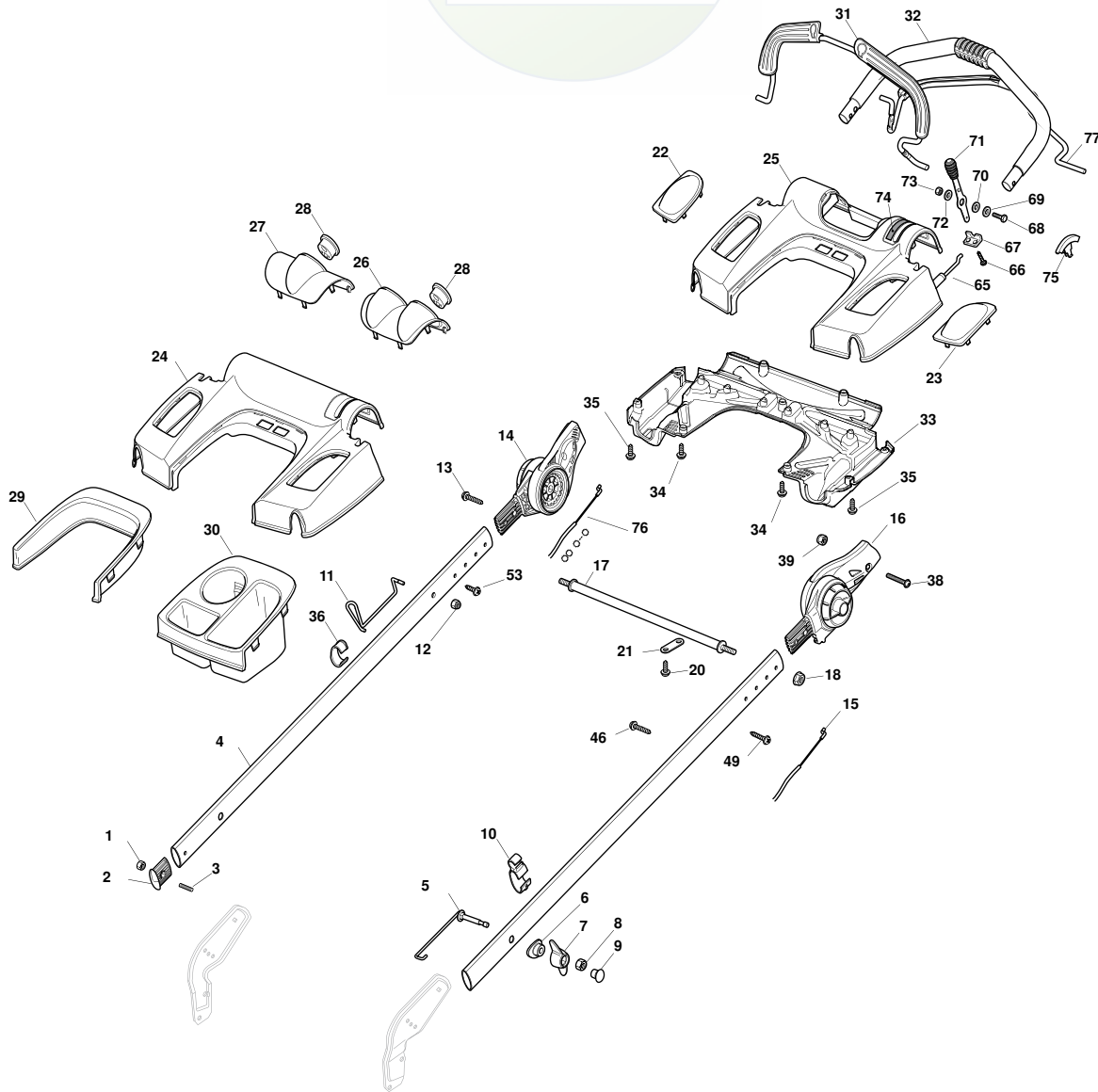
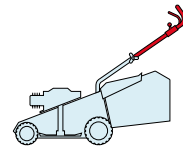
TR 4S

TR-E 4S

2009

52_009

1 / 2



POS.	CODE	Q.TY	DESCRIZIONE	DESCRIPTION	DESCRIPTION	BESCHREIBUNG	REMARKS
1	12154510/0	2	Dado	Nut	Ecrou	Mutter	
2	22820071/0	2	Puntale	Cap	Bouchon	Gummistopfen	
3	12789450/0	2	Vite	Screw	Vis	Schraube	
4	322498105/1	2	Manico	Handle	Mancheron	Holm	
5	381003805/0	2	Molla Guida	Spring	Ressort	Feder	
6	22680012/0	2	Rosetta	Washer	Rondelle	Scheibe	
7	22399821/0	2	Manopolina	Knob	Poignée	Griff	
8	12293200/0	2	Dado	Nut	Ecrou	Mutter	
9	322820072/1	2	Tappo	Cap	Bouchon	Stopfen	
10	22192003/0	1	Fermacavo	Fairlead	Fixation Cable	Kabelbefestigung	
11	122430316/1	1	Molla Guida	Spring	Ressort	Feder	
12	12154330/0	1	Dado	Nut	Ecrou	Mutter	
13	112728698/0	1	Vite	Screw	Vis	Schraube	
14	381745003/0	1	Snodo	Joint	Joint	Gelenk	
15	181030019/1	1	Cavo Freno Motore	Cable, Thread Engine Brake	Cable Frein Moteur	Kabel, Motorbremse	(B&S 625-675 Series)

POS.	CODE	Q.TY	DESCRIZIONE	DESCRIPTION	DESCRIPTION	BESCHREIBUNG	REMARKS
15	181030031/0	1	Cavo Freno Motore	Cable, Thread Engine Brake	Cable Frein Moteur	Kabel, Motorbremse	(Ggp 140cc)
15	181030031/0	1	Cavo Freno Motore	Cable, Thread Engine Brake	Cable Frein Moteur	Kabel, Motorbremse	(Ggp 160cc)
15	181030031/0	1	Cavo Freno Motore	Cable, Thread Engine Brake	Cable Frein Moteur	Kabel, Motorbremse	(Ggp 196cc)
15	181030020/0	1	Cavo Freno Motore	Cable, Thread Engine Brake	Cable Frein Moteur	Kabel, Motorbremse	(Honda)
16	381745004/0	1	Snodo	Joint	Joint	Gelenk	
17	122608537/1	1	Rinforzo	Stiffening	Renforcement	Verstaerkung	
18	12293201/0	2	Dado	Nut	Ecrou	Mutter	
20	12728691/0	2	Vite	Screw	Vis	Schraube	
21	322981471/0	2	Piastrina	Plate	Plaque	Platte	
22	322557155/1	1	Coperchio	Cover	Couvercle	Deckel	
23	322557156/1	1	Coperchio	Cover	Couvercle	Deckel	
24	322120184/2	1	Cruscotto	Dash Board	Console	Konsole	
25	322120185/2	1	Cruscotto	Dash Board	Console	Konsole	
26	322109542/1	1	Coperchio	Cover	Couvercle	Deckel	
27	322109541/1	1	Coperchio	Cover	Couvercle	Deckel	
28	122480000/1	1	Orologio	Clock	Montre	Uhr	
29	322109543/1	1	Protezione	Protection	Protection	Schutz	
30	322109540/1	1	Vaschette Portaoggetti	Tray	Bac De Rangement	Ablage	
31	81003325/0	1	Leva Freno Motore	Lever, Engine Brake	Levier Frein Moteur	Hebel, Motorbremse	
32	381006670/1	1	Impugnatura Manico	Handgrip	Poignée	Handgriff	
33	322109547/0	1	Coperchio	Cover	Couvercle	Deckel	
34	112728706/0	2	Vite	Screw	Vis	Schraube	
35	112728695/0	7	Vite	Screw	Vis	Schraube	
36	322192004/0	1	Fascetta	Anchor Clamp	Collier Ancrage	Bowdenzughalter	
38	112727799/0	2	Vite	Screw	Vis	Schraube	
39	12154510/0	2	Dado	Nut	Ecrou	Mutter	
46	12728526/0	1	Vite	Screw	Vis	Schraube	
49	112728698/0	1	Vite	Screw	Vis	Schraube	
53	12728526/0	1	Vite	Screw	Vis	Schraube	
65	81007160/0	1	Cavo Acceleratore	Throttle Cable	Cable, Accelérateur	Gashebel Kabel	
66	12735105/0	2	Vite	Screw	Vis	Schraube	
67	22981467/0	1	Piastrina	Plate	Plaquette	Platte	
68	12791500/0	1	Vite	Screw	Vis	Schraube	
69	12530060/0	1	Rosetta	Washer	Rondelle	Scheibe	
70	12523040/0	1	Rosetta	Washer	Rondelle	Scheibe	
71	381007225/1	1	Leva, Acceleratore - Nera	Lever, Throttle	Levier,	Hebel, Beshleuniger	
71	381007222/1	1	Leva, Acceleratore - Rossa	Lever, Throttle	Levier,	Hebel, Beshleuniger	
72	12523040/0	1	Rosetta	Washer	Rondelle	Scheibe	
73	12154510/0	1	Dado	Nut	Ecrou	Mutter	
74	114361912/1	1	Etichetta	Label	Etiquette	Etikette	(B&S)
74	114362568/0	1	Etichetta	Label	Etiquette	Etikette	(B&S 700 series DOV)
74	114361913/1	1	Etichetta	Label	Etiquette	Etikette	(Honda)
74	114362568/0	1	Etichetta	Label	Etiquette	Etikette	(Honda GCV 160-190 Autochoke)
74	114362229/1	1	Etichetta	Label	Etiquette	Etikette	(Ggp)
74	114362230/1	1	Etichetta	Label	Etiquette	Etikette	AVS (Ggp 196 cc)
75	22557160/0	1	Tappo	Cap	Bouchon	Gummistopfen	
76	381030015/0	1	Cavo Comando Trazione	Cable, Rear Drive	Câble, Commande Traction	Kabel, Antrieb	(Bi Ci Di)
76	381030023/0	1	Cavo Comando Trazione	Cable, Rear Drive	Câble, Commande Traction	Kabel, Antrieb	(General Transmission)
77	381003328/0	1	Leva Trazione	Lever, Driving	Levier Traction	Hebel, Antrieb	

PAN 504

TR

TR-E

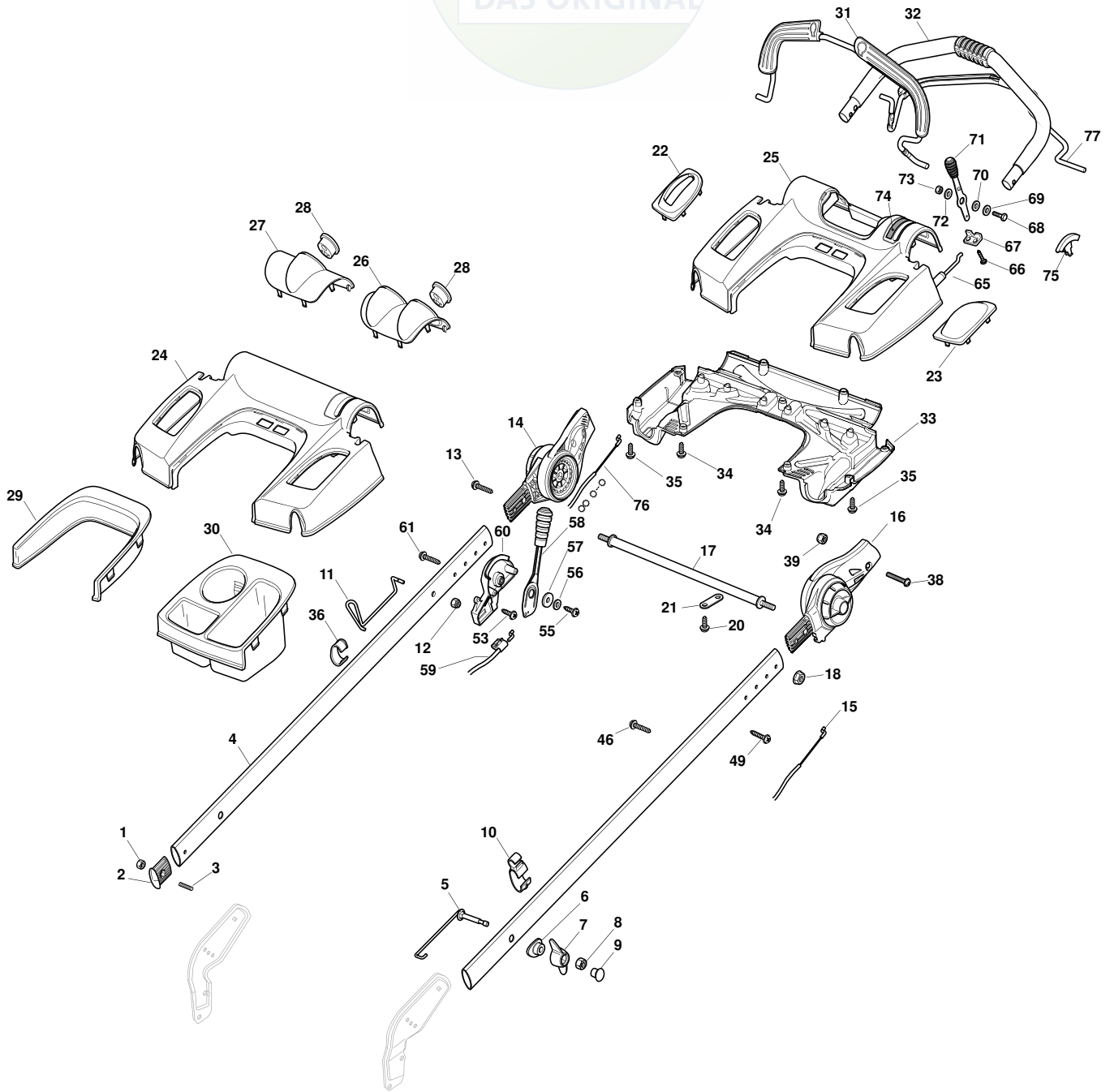
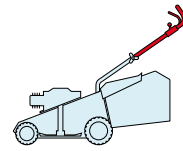
TR 4S

TR-E 4S

2009

52_010

1 / 3



POS.	CODE	Q.TY	DESCRIZIONE	DESCRIPTION	DESCRIPTION	BESCHREIBUNG	REMARKS
1	12154510/0	2	Dado	Nut	Ecrou	Mutter	
2	22820071/0	2	Puntale	Cap	Bouchon	Gummistopfen	
3	12789450/0	2	Vite	Screw	Vis	Schraube	
4	322498105/1	2	Manico	Handle	Mancheron	Holm	
5	381003805/0	2	Molla Guida	Spring	Ressort	Feder	
6	22680012/0	2	Rosetta	Washer	Rondelle	Scheibe	
7	22399821/0	2	Manopolina	Knob	Poignée	Griff	
8	12293200/0	2	Dado	Nut	Ecrou	Mutter	
9	322820072/1	2	Tappo	Cap	Bouchon	Stopfen	
10	22192003/0	1	Fermacavo	Fairlead	Fixation Cable	Kabelbefestigung	

POS.	CODE	Q.TY	DESCRIZIONE	DESCRIPTION	DESCRIPTION	BESCHREIBUNG	REMARKS
11	122430316/1	1	Molla Guida	Spring	Ressort	Feder	
12	12154330/0	1	Dado	Nut	Ecrou	Mutter	
13	12728702/0	1	Vite	Screw	Vis	Schraube	
14	381745003/0	1	Snodo	Joint	Joint	Gelenk	
15	181030019/1	1	Cavo Freno Motore	Cable, Thread Engine Brake	Cable Frein Moteur	Kabel, Motorbremse	(B&S 625-675 Series)
15	181030031/0	1	Cavo Freno Motore	Cable, Thread Engine Brake	Cable Frein Moteur	Kabel, Motorbremse	(Ggp 140cc)
15	181030031/0	1	Cavo Freno Motore	Cable, Thread Engine Brake	Cable Frein Moteur	Kabel, Motorbremse	(Ggp 160cc)
15	181030031/0	1	Cavo Freno Motore	Cable, Thread Engine Brake	Cable Frein Moteur	Kabel, Motorbremse	(Ggp 196cc)
15	181030020/0	1	Cavo Freno Motore	Cable, Thread Engine Brake	Cable Frein Moteur	Kabel, Motorbremse	(Honda)
16	381745004/0	1	Snodo	Joint	Joint	Gelenk	
17	122608537/1	1	Rinforzo	Stiffening	Renforcement	Verstaerkung	
18	12293201/0	2	Dado	Nut	Ecrou	Mutter	
20	12728691/0	2	Vite	Screw	Vis	Schraube	
21	322981471/0	2	Piastrina	Plate	Plaque	Platte	
22	322557159/1	1	Coperchio	Cover	Couvercle	Deckel	
23	322557156/1	1	Coperchio	Cover	Couvercle	Deckel	
24	322120184/2	1	Cruscotto	Dash Board	Console	Konsole	
25	322120185/2	1	Cruscotto	Dash Board	Console	Konsole	
26	322109542/1	1	Coperchio	Cover	Couvercle	Deckel	
27	322109541/1	1	Coperchio	Cover	Couvercle	Deckel	
28	122480000/1	1	Orologio	Clock	Montre	Uhr	
29	322109543/1	1	Protezione	Protection	Protection	Schutz	
30	322109540/1	1	Vaschette Portaoggetti	Tray	Bac De Rangement	Ablage	
31	81003325/0	1	Leva Freno Motore	Lever, Engine Brake	Levier Frein Moteur	Hebel, Motorbremse	
32	381006670/1	1	Impugnatura Manico	Handgrip	Poignée	Handgriff	
33	322109547/0	1	Coperchio	Cover	Couvercle	Deckel	
34	112728706/0	2	Vite	Screw	Vis	Schraube	
35	112728695/0	7	Vite	Screw	Vis	Schraube	
36	322192004/0	1	Fascetta	Anchor Clamp	Collier Ancrage	Bowdenzughalter	
38	112727799/0	2	Vite	Screw	Vis	Schraube	
39	12154510/0	2	Dado	Nut	Ecrou	Mutter	
46	12728526/0	1	Vite	Screw	Vis	Schraube	
49	112728698/0	1	Vite	Screw	Vis	Schraube	
53	12728527/0	1	Vite	Screw	Vis	Schraube	
55	12728686/0	1	Vite	Screw	Vis	Schraube	
56	12523020/0	1	Rosetta	Washer	Rondelle	Scheibe	
57	22680013/0	1	Rondella	Washer	Rondelle	Scheibe	
58	381007226/1	1	Leva Trazione, Nera	Lever, Driving	Levier Traction	Hebel, Antrieb	
59	81000738/0	1	Cavo Comando Marce	Cable, Speed Drive Control	Cable, Comm. Change-ment Vitesse	Kabel, Gängeschaltun	
60	22785233/0	1	Supporto	Support	Support	Halter	
65	81007160/0	1	Cavo Acceleratore	Throttle Cable	Cable, Accelérateur	Gashebel Kabel	
66	12735105/0	2	Vite	Screw	Vis	Schraube	
67	22981467/0	1	Piastrina	Plate	Plaquette	Platte	
68	12791500/0	1	Vite	Screw	Vis	Schraube	
69	12530060/0	1	Rosetta	Washer	Rondelle	Scheibe	
70	12523040/0	1	Rosetta	Washer	Rondelle	Scheibe	
72	381007225/1	1	Leva, Acceleratore - Nera	Lever, Throttle	Levier,	Hebel, Beshleuniger	
72	381007222/1	1	Leva, Acceleratore - Rossa	Lever, Throttle	Levier,	Hebel, Beshleuniger	
72	12523040/0	1	Rosetta	Washer	Rondelle	Scheibe	
73	12154510/0	1	Dado	Nut	Ecrou	Mutter	
74	114361912/1	1	Etichetta	Label	Etiquette	Etikette	(B&S)

POS.	CODE	Q.TY	DESCRIZIONE	DESCRIPTION	DESCRIPTION	BESCHREIBUNG	REMARKS
74	114362568/0	1	Etichetta	Label	Etiquette	Etikette	(B&S 700 series DOV)
74	114361913/1	1	Etichetta	Label	Etiquette	Etikette	(Honda)
74	114362568/0	1	Etichetta	Label	Etiquette	Etikette	(Honda GCV 160-190 Autochoke)
74	114362229/1	1	Etichetta	Label	Etiquette	Etikette	(Ggp)
74	114362230/1	1	Etichetta	Label	Etiquette	Etikette	AVS (Ggp 196 cc)
75	22557160/0	1	Tappo	Cap	Bouchon	Gummistopfen	
76	381030015/0	1	Cavo Comando Trazione	Cable, Rear Drive	Câble, Commande Traction	Kabel, Antrieb	(Bi Ci Di)
76	381030023/0	1	Cavo Comando Trazione	Cable, Rear Drive	Câble, Commande Traction	Kabel, Antrieb	(General Transmission)
77	381003328/0	1	Leva Trazione	Lever, Driving	Levier Traction	Hebel, Antrieb	

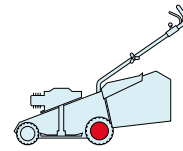
PAN 504

TR

TR-E

TR 4S

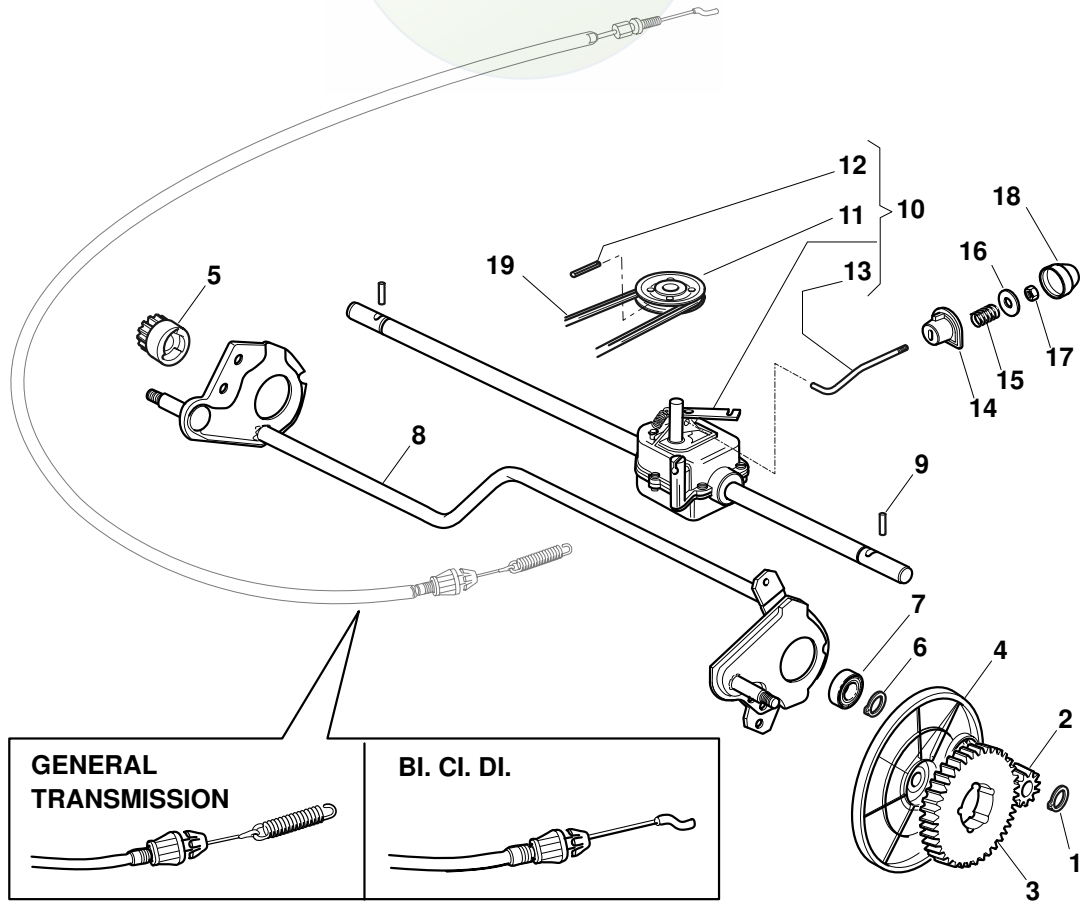
TR-E 4S



2009

52_011

1 / 1



POS.	CODE	Q.TY	DESCRIZIONE	DESCRIPTION	DESCRIPTION	BESCHREIBUNG	REMARKS
1	12608600/0	2	Seeger	Seeger	Seeger	Seeger	
2	22570120/1	1	Pignone Sx	Pinion L	Pignon G	Ritzel Linkes	
3	22120105/1	2	Corona	Ring Gear	Couronne	Kranz	
4	22600091/1	2	Prot. Ruote	Protection, Wheel	Protection Roue	Schütz, Räder	
5	22570110/1	1	Pignone Dx	Pinion R	Pignon D	Ritzel Rechtes	
6	12608600/0	2	Seeger	Seeger	Seeger	Seeger	
7	19216035/0	2	Cuscinetto	Bearing	Coussinet	Lager	
8	81002811/0	1	Asse Ruote Posteriori	Axle, Rear Wheels	Axe Roues Arriere	Achse, Hinterrad	
9	22753000/0	2	Spina	Pin	Goupille	Stift	
10	81003082/1	1	Gruppo Trazione (Grigio)	Gear Box (Grey)	Groupe Traction (Gris)	Antrieb (Grau)	(Bi Ci Di)
10	81003079/0	1	Gruppo Trazione	Gear Box	Groupe Traction	Antrieb	(General Transmission)
11	22601909/0	1	Puleggia	Pulley	Poulie	Riemenscheibe	
12	12645705/0	1	Spina	Pin	Goupille	Stift	
13	22033281/0	1	Asta Regolazione	Adjustment Rod	Tige Reglage	Verstellungstange	
14	22041957/1	1	Bussola	Bush	Douille	Buchse	
15	22450063/0	1	Molla	Spring	Ressort	Feder	
16	22680009/0	1	Rosetta	Washer	Rondelle	Scheibe	
17	12154510/0	1	Dado	Nut	Ecrou	Mutter	
18	22110230/0	1	Tappo	Cap	Bouchon	Gummistopfen	
19	35064150/0	1	Cinghia Z 32	Belt Z 32	Courroie Z 32	Riemen Z 32	

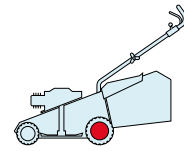
PAN 504

TR

TR-E

TR 4S

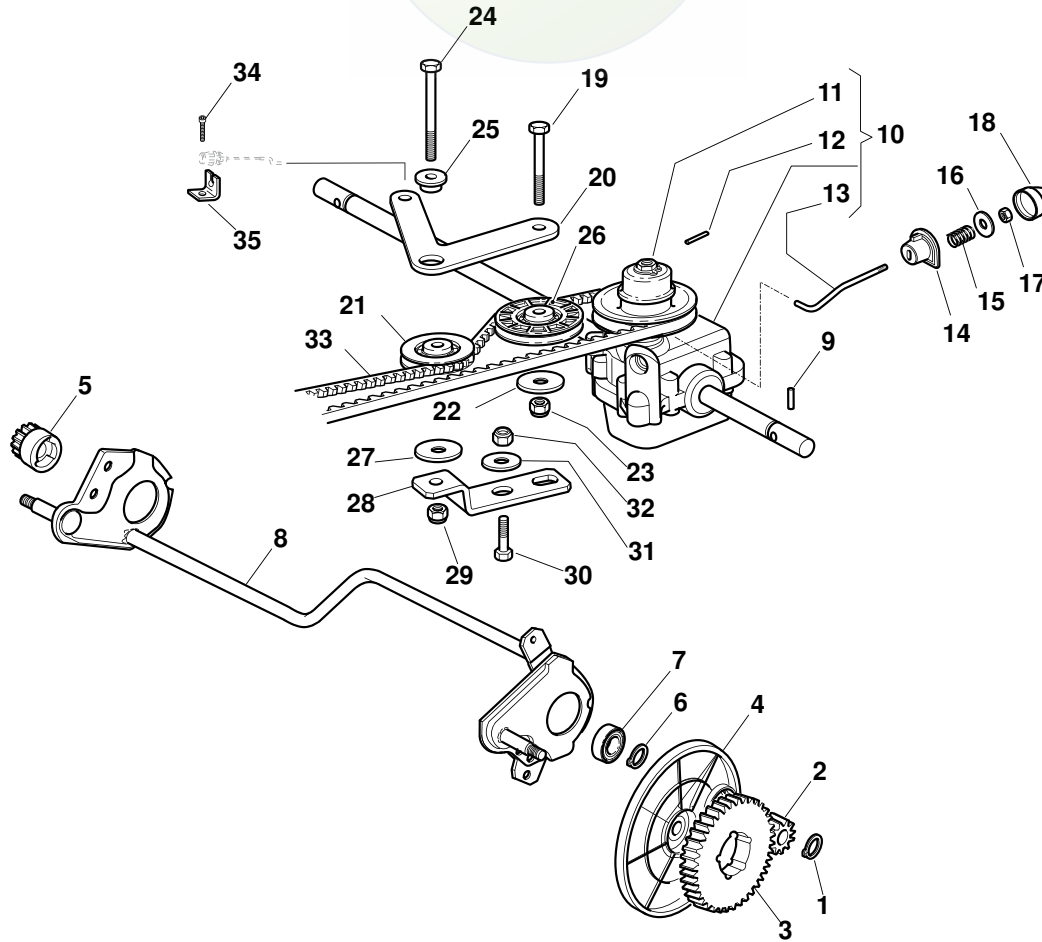
TR-E 4S



2009

52_012

1 / 2



POS.	CODE	Q.TY	DESCRIZIONE	DESCRIPTION	DESCRIPTION	BESCHREIBUNG	REMARKS
1	12608600/0	2	Seeger	Seeger	Seeger	Seeger	
2	22570120/1	1	Pignone Sx	Pinion L	Pignon G	Ritzel Linkes	
3	22120105/1	2	Corona	Ring Gear	Couronne	Kranz	
4	22600091/1	2	Prot. Ruote	Protection, Wheel	Protection Roue	Schütz, Räder	
5	22570110/1	1	Pignone Dx	Pinion R	Pignon D	Ritzel Rechtes	
6	12608600/0	2	Seeger	Seeger	Seeger	Seeger	
7	19216035/0	2	Cuscinetto	Bearing	Coussinet	Lager	
8	81002811/0	1	Asse Ruote Posteriori	Axle, Rear Wheels	Axe Roues Arriere	Achse, Hinterrad	
9	22753000/0	2	Spina	Pin	Goupille	Stift	
10	181003097/1	1	Gruppo Trazione	Gear Box	Groupe Traction	Antrieb	(General Transmission)
11	122601925/0	1	Puleggia	Pulley	Poulie	Riemenscheibe	
12	12645705/0	1	Spina	Pin	Goupille	Stift	
13	22033286/1	1	Asta Regolazione	Adjustment Rod	Tige Reglage	Verstellungstange	
14	22041957/1	1	Bussola	Bush	Douille	Buchse	
15	22450063/0	1	Molla	Spring	Ressort	Feder	
16	22680009/0	1	Rosetta	Washer	Rondelle	Scheibe	
17	12154510/0	1	Dado	Nut	Ecrou	Mutter	
18	22110230/0	1	Tappo	Cap	Bouchon	Gummistopfen	
19	12674701/0	1	Vite	Screw	Vis	Schraube	
20	22320005/0	1	Leva	Lever	Levier	Hebel	

POS.	CODE	Q.TY	DESCRIZIONE	DESCRIPTION	DESCRIPTION	BESCHREIBUNG	REMARKS
21	22601915/0	1	Puleggia	Pulley	Poulie	Riemenscheibe	
22	12523050/0	1	Rosetta	Washer	Rondelle	Scheibe	
23	12154510/0	1	Dado	Nut	Ecrou	Mutter	
24	12689500/0	1	Vite	Screw	Vis	Schraube	
25	22671656/0	1	Rondella	Washer	Rondelle	Scheibe	
26	22601914/0	1	Puleggia	Pulley	Poulie	Riemenscheibe	
27	12523050/0	1	Rosetta	Washer	Rondelle	Scheibe	
28	22806627/0	1	Supporto	Support	Support	Halter	
29	12154510/0	1	Dado	Nut	Ecrou	Mutter	
30	12791011/0	1	Vite	Screw	Vis	Schraube	
31	12523040/0	1	Rosetta	Washer	Rondelle	Scheibe	
32	12154510/0	1	Dado	Nut	Ecrou	Mutter	
33	35064390/0	1	Cinghia Spzx 900	Belt Spzx 900	Courroie Spzx 900	Riemen Spzx 900	
34	12729601/1	1	Vite	Screw	Vis	Schraube	
35	22806619/0	1	Supporto	Support	Support	Halter	

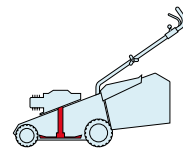
PAN 504

TR

TR-E

TR 4S

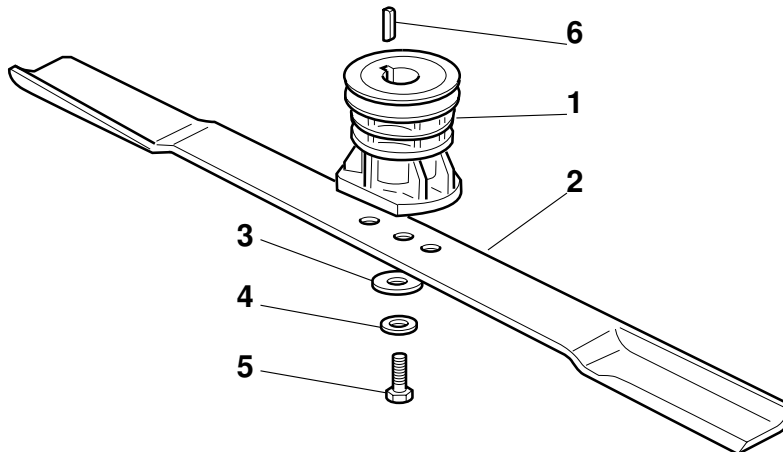
TR-E 4S



2009

52_013

1 / 1



POS.	CODE	Q.TY	DESCRIZIONE	DESCRIPTION	DESCRIPTION	BESCHREIBUNG	REMARKS
1	22465607/2	1	Mozzo Con Puleggia, Albero Motore Ø 22.2	Hub With Pulley, Crankshaft Ø 22.2	Moyeu Avec Poulie, Arbre Moteur Ø 22.2	Nabe Mit Scheibe, Motorwelle Ø 22.2	
1	122465608/1	1	Mozzo Con Puleggia, Albero Motore Ø 25	Hub With Pulley, Crankshaft Ø 25	Moyeu Avec Poulie, Arbre Moteur Ø 25	Nabe Mit Scheibe, Motorwelle Ø 25	
2	81004366/2	1	Coltello Standard	Blade Standard	Lame Standard	Messer Standard	
3	22160400/0	1	Disco Elastico	Elastic Washer	Rondelle Elastique	Elastischescheibe	
4	12523080/0	1	Rosetta	Washer	Rondelle	Scheibe	
5	12735698/0	1	Vite	Screw	Vis	Schraube	
6	12139100/0	1	Linguetta, Albero Motore Ø 22.2	Feather, Crankshaft Ø 22.2	Clavette, Arbre Moteur Ø 22.2	Keil, Motorwelle Ø 22.2	
6	12139150/0	1	Linguetta, Albero Motore Ø 25	Feather, Crankshaft Ø 25	Clavette, Arbre Moteur Ø 25	Keil, Motorwelle Ø 25	

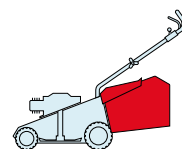
PAN 504

TR

TR-E

TR 4S

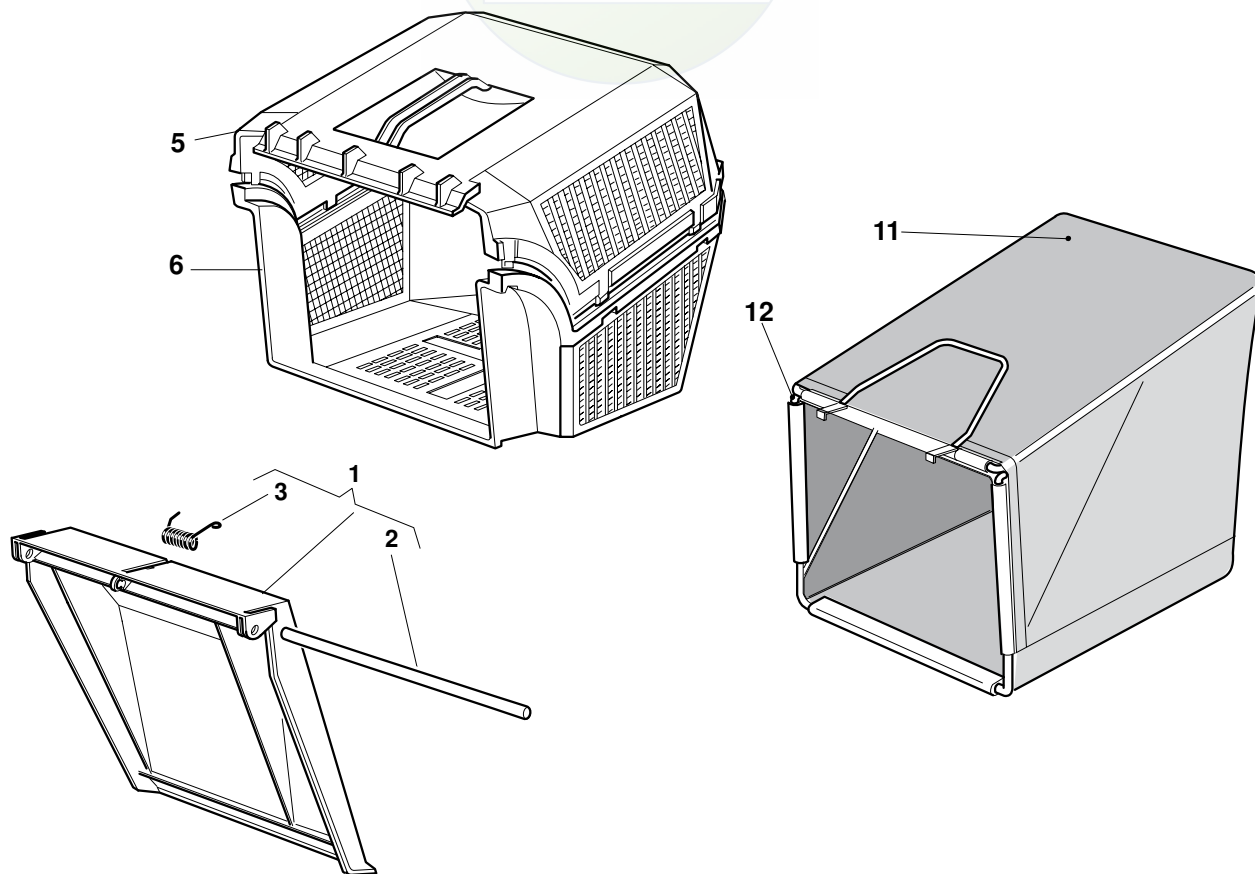
TR-E 4S



2009

52_014

1 / 1



POS.	CODE	Q.TY	DESCRIZIONE	DESCRIPTION	DESCRIPTION	BESCHREIBUNG	REMARKS
1	381008044/0	1	Parasassi	Stone-Guard	Pare-Pierres	Prallblech	
2	22517856/1	1	Perno	Pin	Pivot	Bolzen	
3	22450270/0	1	Molla	Spring	Ressort	Feder	
5	22486065/0	1	Sacco, Parte Sup	Grass-Box, Upper	Sac, Partie Superieure	Korb, Oberteil	
6	22486064/0	1	Sacco, Parte Inf	Grass-Box, Lower	Sac, Partie Inferieure	Korb, Unterteil	
11	81002124/1	1	Sacco, Tela	Box, Fabric	Sac, Toile	Sack, Tuck	
12	81006430/0	1	Telaio Sacco	Chassis Box	Châssis Bac	Rahmen Sack	

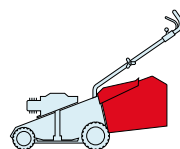
PAN 504

TR

TR-E

TR 4S

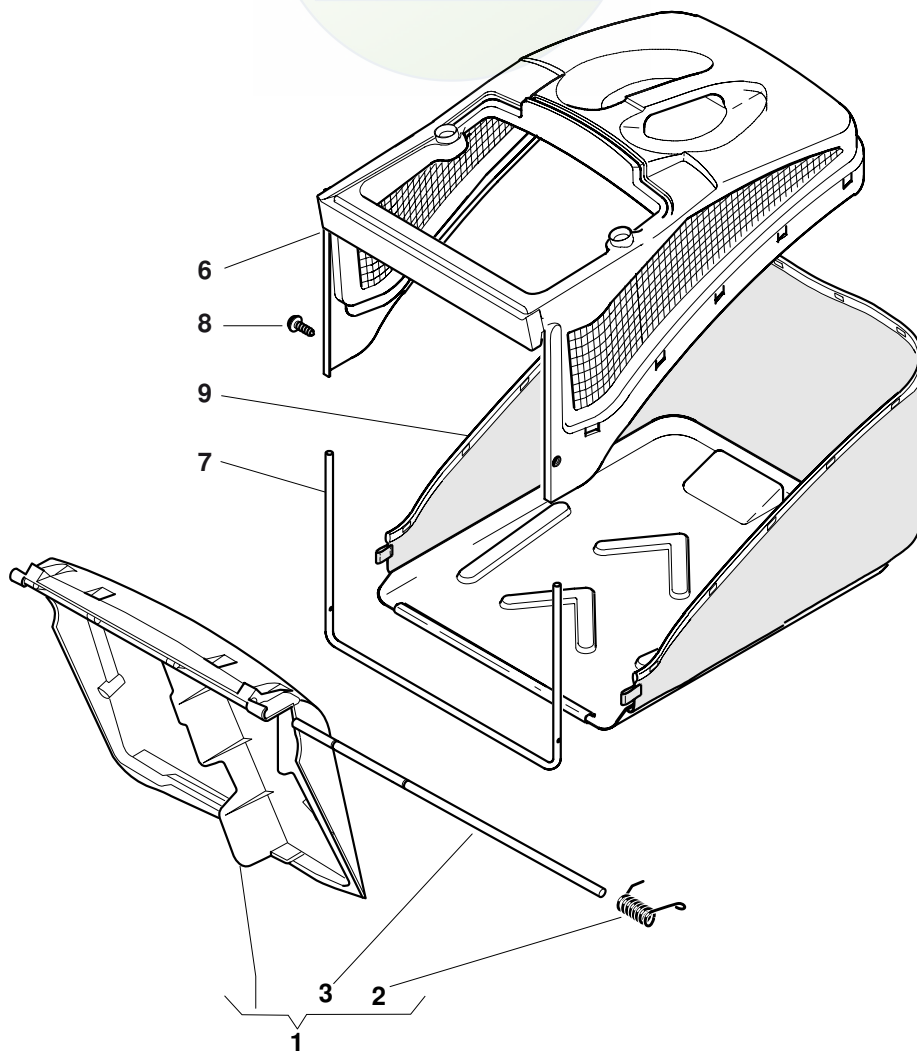
TR-E 4S



2009

52_015

1 / 1



POS.	CODE	Q.TY	DESCRIZIONE	DESCRIPTION	DESCRIPTION	BESCHREIBUNG	REMARKS
1	381008050/0	1	Parasassi	Stone-Guard	Pare-Pierres	Prallblech	
2	22451000/0	1	Molla	Spring	Ressort	Feder	
3	22517857/0	1	Perno	Pin	Pivot	Bolzen	
6	22486094/0	1	Sacco, Parte Sup	Grass-Box, Upper	Sac, Partie	Korb, Oberteil	
7	22608524/0	1	Rinforzo Inf	Stiffening Lower	Réinforcement Inf	Verstärkung	
8	12728445/0	2	Vite	Screw	Vis	Schraube	
9	81002196/0	1	Sacco, Tela	Box, Fabric	Sac, Toile	Sack, Tuck	

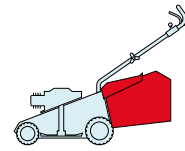
PAN 504

TR

TR-E

TR 4S

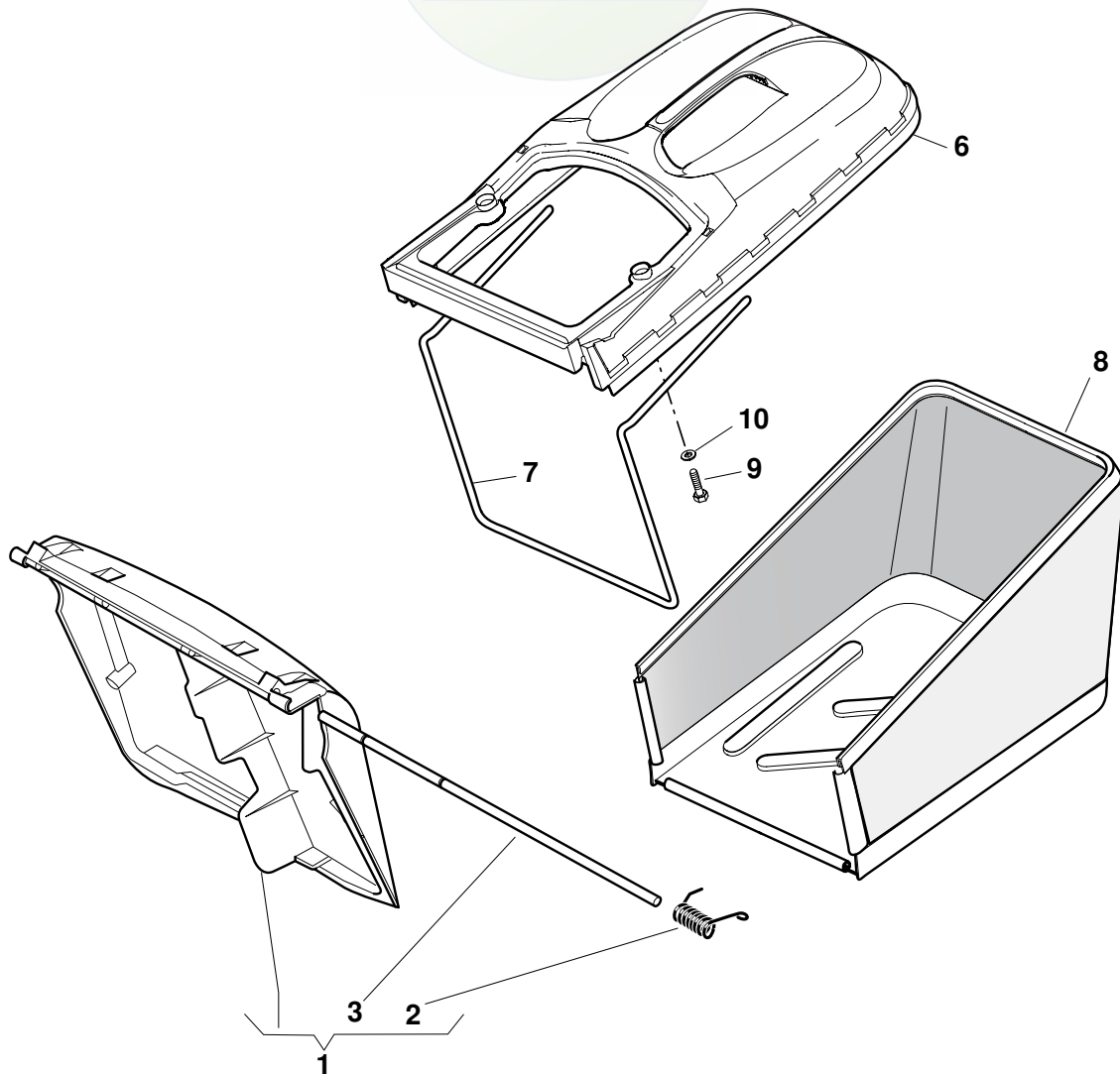
TR-E 4S



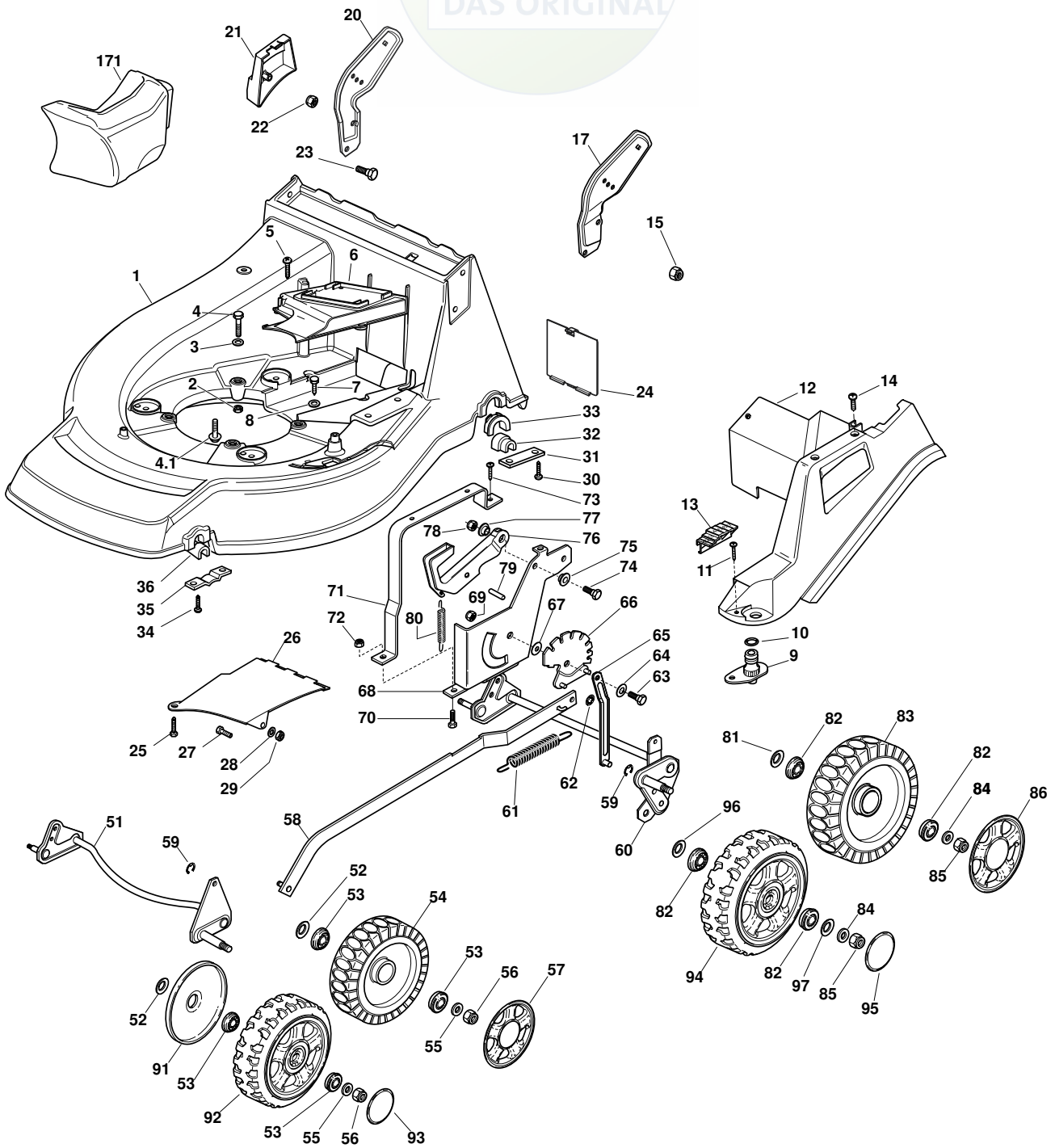
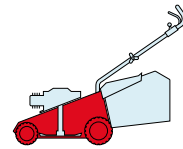
2009

52_016

1 / 1



POS.	CODE	Q.TY	DESCRIZIONE	DESCRIPTION	DESCRIPTION	BESCHREIBUNG	REMARKS
1	381008050/0	1	Parasassi	Stone-Guard	Pare-Pierres	Prallblech	
2	22451000/0	1	Molla	Spring	Ressort	Feder	
3	22517857/0	1	Perno	Pin	Pivot	Bolzen	
6	22486102/0	1	Sacco, Parte Sup	Grass-Box, Upper	Sac, Partie	Korb, Oberteil	
7	22608526/0	1	Rinforzo Inf	Stiffening Lower	Réinforcement Inf	Verstärkung	
8	81002212/0	1	Sacco, Tela	Box, Fabric	Sac, Toile	Sack, Tuck	
9	12728680/0	2	Vite	Screw	Vis	Schraube	
10	12523050/0	2	Rosetta	Washer	Rondelle	Scheibe	



POS.	CODE	Q.TY	DESCRIZIONE	DESCRIPTION	DESCRIPTION	BESCHREIBUNG	REMARKS
1	381003543/1	1	Chassis Rosso	Deck Red	Châssis Rouge	Gehäuse Rot	
2	12155000/0	3	Dado	Nut	Ecrou	Mutter	
3	12521350/0	3	Rosetta	Washer	Rondelle	Scheibe	
4	12691800/0	2	Vite	Screw	Vis	Schraube	(B&S)
4	12692080/0	1	Vite	Screw	Vis	Schraube	(B&S)
4	12691900/0	3	Vite	Screw	Vis	Schraube	(Ggp)
4A	112735108/1	3	Vite	Screw	Vis	Schraube	(Honda)
5	12728522/0	2	Vite	Screw	Vis	Schraube	

POS.	CODE	Q.TY	DESCRIZIONE	DESCRIPTION	DESCRIPTION	BESCHREIBUNG	REMARKS
6	22060200/1	1	Carter Cinghia	Protection, Belt	Protection	Schutz, Riemen	
7	12729600/0	1	Vite	Screw	Vis	Schraube	
8	12523040/0	2	Rosetta	Washer	Rondelle	Scheibe	
9	22034000/0	1	Attacco Acqua Lavaggio	Washing Connection	Attaque Lavage	Waschenverbindung	
10	19035000/0	1	Anello Or	Or Ring	Bague Or	Ring Or	
11	12728519/0	3	Vite	Screw	Vis	Schraube	
12	322060144/3	1	Carter Regolazione	Deck, Adjustment	Châssis Reglage	Gehäuse	
13	22570200/0	1	Placchetta Posizioni	Plate, Cutting Positions	Plaquette Reglage	Platte, Höheverstellung	
14	12728520/0	1	Vite	Screw	Vis	Schraube	
15	12155000/0	2	Dado	Nut	Ecrou	Mutter	
17	22778397/1	1	Staffa Sx	Bracket, L	Bride G	Pratze, Linke	
20	22778396/1	1	Staffa Dx	Bracket, R	Bride D	Pratze, Rechte	
21	22601001/0	1	Protezione	Protection	Protection	Schutz	
22	12155000/0	2	Dado	Nut	Ecrou	Mutter	
23	12793301/0	2	Vite	Screw	Vis	Schraube	
24	22595352/0	1	Portina Chiusura	Inspection Door	Voyant De Visite	Abdeckplatte	
25	12729600/0	1	Vite	Screw	Vis	Schraube	
26	22108205/0	1	Convogliatore	Conveyor	Convoyeur	Konveyor	
27	12789000/0	1	Vite	Screw	Vis	Schraube	
28	12523020/0	1	Rosetta	Washer	Rondelle	Scheibe	
29	12154330/0	1	Dado	Nut	Ecrou	Mutter	
30	12731350/0	4	Vite	Screw	Vis	Schraube	
31	22545145/0	2	Piastrina	Plate	Plaquette	Platte	
32	22038399/0	2	Bronzina	Brass	Douille	Buchse	
33	22038407/0	2	Bronzina	Brass	Douille	Buchse	
34	12731350/0	4	Vite	Screw	Vis	Schraube	
35	22545156/0	2	Piastrina	Plate	Plaquette	Platte	
36	22038400/1	2	Bronzina	Brass	Douille	Buchse	
51	81002801/1	1	Asse Ruote Anteriori	Axle, Front Wheels	Axe Roues Avant	Achse, Vorderrad	
52	12530150/0	2	Rosetta Elastica	Elastic Washer	Rondelle Elastique	Elastische Scheibe	
53	22122200/0	4	Cuscinetto	Bearing	Coussinet	Lager	
54	81007317/0	2	Ruota Ø 170	Wheel Ø 170	Roue Ø 170	Rad. Ø 170	
55	12369500/0	2	Rosetta	Washer	Rondelle	Scheibe	
56	12155000/0	2	Dado	Nut	Ecrou	Mutter	
57	-	2	Coprismozzo	Hub Cap	Couvre-Moyeu	Radkappe	(See Enclosure 1)
58	81001136/0	1	Asta Comando Regol. Altezza	Rod, Height Adjustment	Tige Commande Reglage Hauteur	Stange, Höheverstellung	(B&S - Ggp)
58	81001136/0	1	Asta Comando Regol. Altezza	Rod, Height Adjustment	Tige Commande Reglage Hauteur	Stange, Höheverstellung	(Honda)
59	12000930/0	2	Anello Elastico	Snap Ring	Anneau Ressort	Sprengling	
60	81002804/1	1	Asse Ruote Posteriori	Axle, Rear Wheels	Axe Roues Arriere	Achse, Hinterrad	
61	122446187/0	1	Molla	Spring	Ressort	Feder	
62	12604899/0	2	Fissatore A Corona	Crown Fastener	Fixateur A	Kronescheibe	
63	22529662/0	1	Perno Fulcro	Fulcrum Pin	Pivot	Bolzen	
64	22672151/0	1	Rosetta	Washer	Rondelle	Scheibe	
65	81001269/0	1	Asta Asse Posteriore	Rod, Rear Wheels Axle	Tige, Axe Roue Arrieres	Stange, Hinterradachse	
66	381000479/2	1	Settore Regolazione Altezza	Sector, Height Adjustment	Secteur Reglage Hauteur	Sektor, Höheverstellung	
67	22672152/0	1	Rosetta	Washer	Rondelle	Scheibe	
68	22785109/0	1	Supporto Regolazione Altezza	Support, Height Adjustment	Support Reglage	Halter, Höheverstellung	
69	12293201/0	1	Dado	Nut	Ecrou	Mutter	
70	12793301/0	2	Vite	Screw	Vis	Schraube	

POS.	CODE	Q.TY	DESCRIZIONE	DESCRIPTION	DESCRIPTION	BESCHREIBUNG	REMARKS
71	22785113/0	1	Supporto Maniglia	Support, Handle	Support Poignée	Halter, Griff	
72	12293201/0	2	Dado	Nut	Ecrou	Mutter	
73	12729600/0	1	Vite	Screw	Vis	Schraube	
74	12793301/0	1	Vite	Screw	Vis	Schraube	
75	25038002/1	2	Bussola	Bush	Douille	Buchse	
76	322393611/2	1	Maniglia	Handle	Poignée	Griff	
78	12293201/0	1	Dado	Nut	Ecrou	Mutter	
79	12622640/0	1	Spina	Pin	Goupille	Stift	
80	22446175/0	1	Molla	Spring	Ressort	Feder	
81	12530150/0	2	Rosetta Elastica	Elastic Washer	Rondelle Elastique	Elastische Scheibe	
82	22122200/0	4	Cuscinetto	Bearing	Coussinet	Lager	
83	81007318/1	2	Ruota Ø 210	Wheel Ø 210	Roue Ø 210	Rad. Ø 210	
84	12521350/0	2	Rosetta	Washer	Rondelle	Scheibe	
85	12155000/0	2	Dado	Nut	Ecrou	Mutter	
86	-	2	Coprizzo	Hub Cap	Couvre-Moyeu	Radkappe	(See Enclosure 2)
91	22600144/0	2	Protezione	Protection	Protection	Schutz	
92	81007376/0	2	Ruota Ø 170	Wheel Ø 170	Roue Ø 170	Rad. Ø 170	
93	22110418/0	2	Coprizzo	Hub Cap	Couvre-Moyeu	Radkappe	
94	81007382/0	2	Ruota Ø 210	Wheel Ø 210	Roue Ø 210	Rad. Ø 210	
95	22110419/0	2	Coprizzo	Hub Cap	Couvre-Moyeu	Radkappe	
96	22675100/0	2	Rosetta	Washer	Rondelle	Scheibe	
97	22672151/0	2	Rosetta	Washer	Rondelle	Scheibe	
171	22140224/0	1	Tappo	Cap	Bouchon	Gummistopfen	