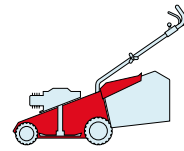


SPL

484

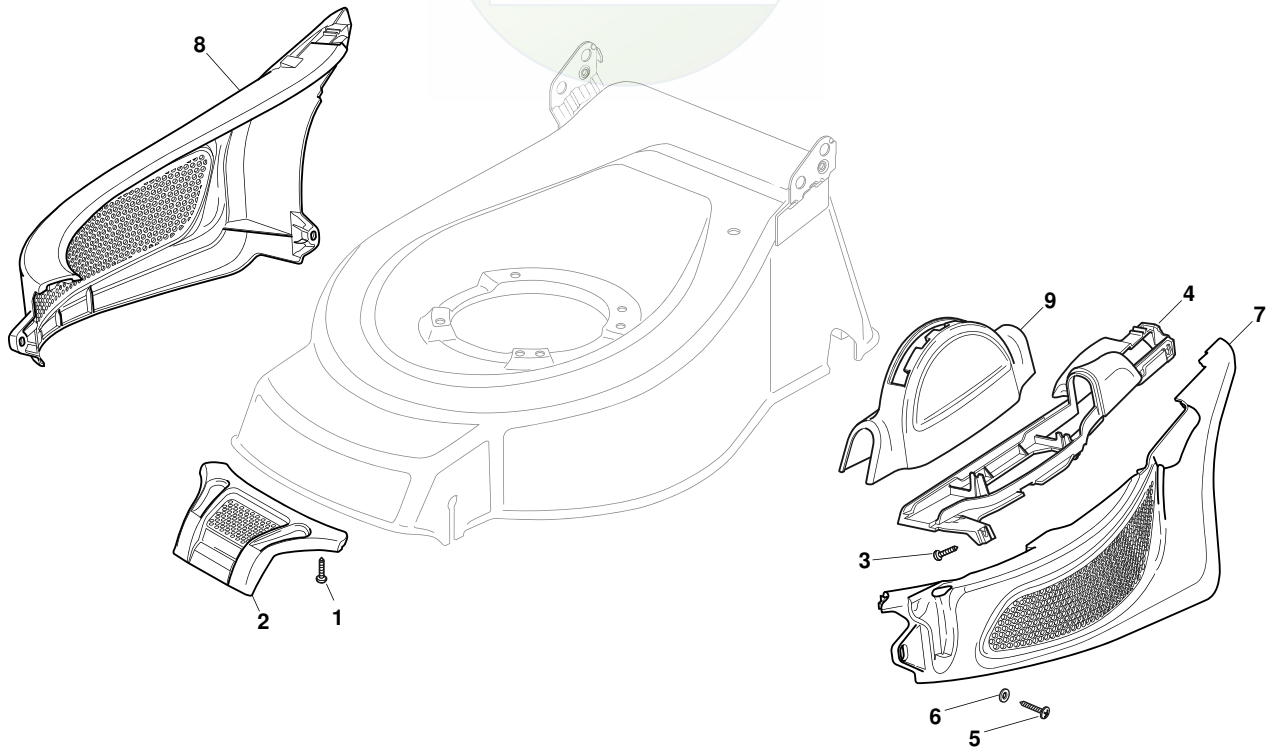
534



2009

29_001

1 / 1



POS.	CODE	Q.TY	DESCRIZIONE	DESCRIPTION	DESCRIPTION	BESCHREIBUNG	REMARKS
1	12728693/0	2	Vite	Screw	Vis	Schraube	
2	81390110/1	1	Mascherina, Rosso	Mask, Red	Mesque, Rouge	Maske, Rot	484
2	81390111/1	1	Mascherina, Rosso	Mask, Red	Mesque, Rouge	Maske, Rot	534
3	12728688/0	3	Vite	Screw	Vis	Schraube	
4	22785192/1	1	Supporto Carter Rosso	Support, Red	Support, Rouge	Halter, Rot	484
4	22785193/1	1	Supporto Carter Rosso	Support, Red	Support, Rouge	Halter, Rot	534
5	12728520/0	4	Vite	Screw	Vis	Schraube	
6	12521330/0	4	Rosetta	Washer	Rondelle	Scheibe	
7	22226086/1	1	Profilo Sinistro Rosso	Left Profil, Red	Profil Gauche, Rouge	Linke Profil, Rot	484
7	22226084/1	1	Profilo Sinistro Rosso	Left Profil, Red	Profil Gauche, Rouge	Linke Profil, Rot	534
8	22226085/1	1	Profilo Destro Rosso	Right Profil, Red	Profil Droit, Rouge	Rechte Profil, Rot	484
8	22226083/1	1	Profilo Destro Rosso	Right Profil, Red	Profil Droit, Rouge	Rechte Profil, Rot	534
9	22109720/1	1	Carter Rosso	Cover, Red	Couvre, Rouge	Kappe, Rot	

SPL

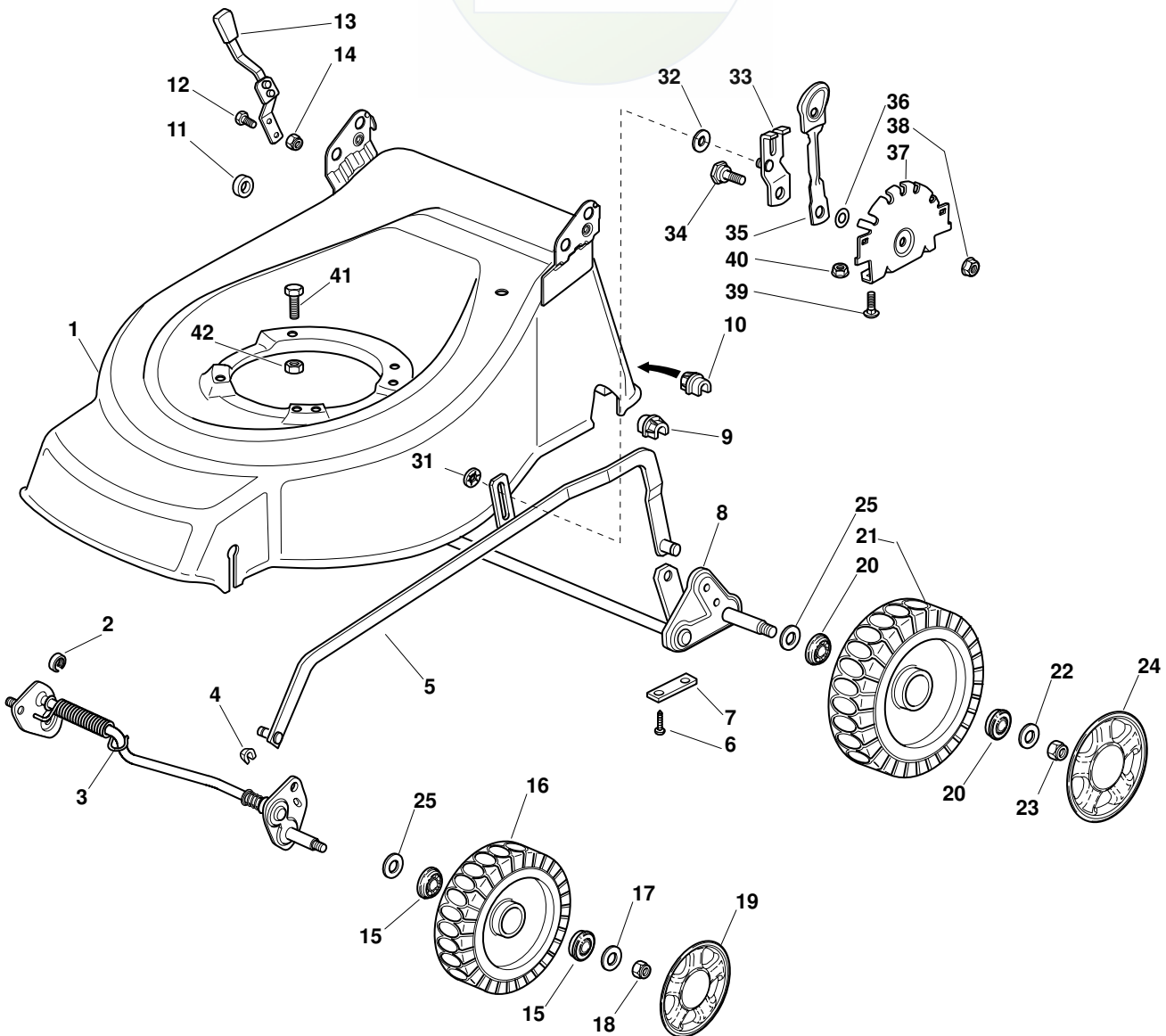
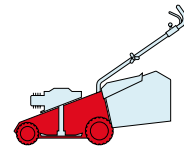
484

534

2009

29_002

1 / 2



POS.	CODE	Q.TY	DESCRIZIONE	DESCRIPTION	DESCRIPTION	BESCHREIBUNG	REMARKS
1	81002781/1	1	Chassis Grigio	Deck Grey	Châssis Gris	Gehäuse Grau	484
1	381002782/1	1	Chassis Grigio	Deck Grey	Châssis Gris	Gehäuse Grau	534
2	22171002/0	1	Distanziale	Spacer	Entretoise	Distanzring	
3	81000141/1	1	Asse Ruote Anteriori	Axle, Front Wheels	Axe Roues Avant	Achse, Vorderrad	484
3	81000143/1	1	Asse Ruote Anteriori	Axle, Front Wheels	Axe Roues Avant	Achse, Vorderrad	534
4	112436051/0	2	Piastrina	Plate	Plaquette	Plättchen	
5	381002018/0	1	Asta Comando Regol. Altezza	Rod, Height Adjustment	Tige Commande Reglage Hauteur	Stange, Höhenverstellung	484
5	381002019/0	1	Asta Comando Regol. Altezza	Rod, Height Adjustment	Tige Commande Reglage Hauteur	Stange, Höhenverstellung	534
6	12731350/0	4	Vite	Screw	Vis	Schraube	
7	22545142/0	2	Piastrina	Plate	Plaquette	Platte	
8	81001278/0	1	Asse Ruote Posteriori	Axle, Rear Wheels	Axe Roues Arriere	Achse, Hinterrad	
9	22038403/0	1	Bronzina Sx	L Bush	Douille G	Linke Buchse	
10	22038402/0	1	Bronzina Dx	R Bush	Douille D	Rechte Buchse	

POS.	CODE	Q.TY	DESCRIZIONE	DESCRIPTION	DESCRIPTION	BESCHREIBUNG	REMARKS
11	22170800/0	1	Distanziale	Spacer	Entretoise	Distanzring	
12	12789000/0	2	Vite	Screw	Vis	Schraube	
13	81003283/1	1	Leva Regolazione Altezza	Lever, Height Adjustment	Levier, Reglage Hauteur	Hebel, Höheverstellung	
14	12154320/0	2	Dado	Nut	Ecrou	Mutter	
15	22122200/0	4	Cuscinetto	Bearing	Coussinet	Lager	
16	81007336/0	2	Ruota Scolpita Ø 170	Wheel, Knobbly Ø 170	Roue Sculptee Ø 170	Rad M. Stollenpr. Ø 170	
17	12521350/0	2	Rosetta	Washer	Rondelle	Scheibe	
18	12155000/0	2	Dado	Nut	Ecrou	Mutter	
19	-	2	Coprizzo	Hub Cap	Couvre-Moyeu	Radkappe	(See Enclosure 1)
20	22122200/0	4	Cuscinetto	Bearing	Coussinet	Lager	
21	81007337/0	2	Ruota Scolpita Ø 210	Wheel, Knobbly Ø 210	Roue Sculptee Ø 210	Rad M. Stollenpr. Ø 210	
22	12521350/0	2	Rosetta	Washer	Rondelle	Scheibe	
23	12155000/0	2	Dado	Nut	Ecrou	Mutter	
24	-	2	Coprizzo	Hub Cap	Couvre-Moyeu	Radkappe	(See Enclosure 2)
25	12530150/0	4	Rosetta Elastica	Elastic Washer	Rondelle Elastique	Elastische Scheibe	
31	12604896/0	1	Anello Elastico	Snap Ring	Anneau Ressort	Sprengring	
32	12369500/0	1	Rosetta	Washer	Rondelle	Scheibe	
33	81005121/0	1	Piastrina	Plate	Plaquette	Plättchen	
34	22524333/0	1	Perno	Pin	Pivot	Bolzen	
35	81003322/0	1	Leva Regolazione Altezza	Lever, Height Adjustment	Levier, Reglage Hauteur	Hebel, Höheverstellung	
36	22672152/0	1	Rosetta	Washer	Rondelle	Scheibe	
37	22735571/1	1	Settore Regolazione Altezza	Sector, Height Adjustment	Secteur Reglage Hauteur	Sektor, Höheverstellung	
38	12154210/0	1	Dado	Nut	Ecrou	Mutter	
39	12815200/0	2	Vite	Screw	Vis	Schraube	
40	12292102/0	2	Dado	Nut	Ecrou	Mutter	
41	12691800/0	0/1	Vite	Screw	Vis	Schraube	
41	12793701/0	3/2	Vite	Screw	Vis	Schraube	
42	12155000/0	0/1	Dado	Nut	Ecrou	Mutter	
42	12293201/0	3/2	Dado	Nut	Ecrou	Mutter	

SPL

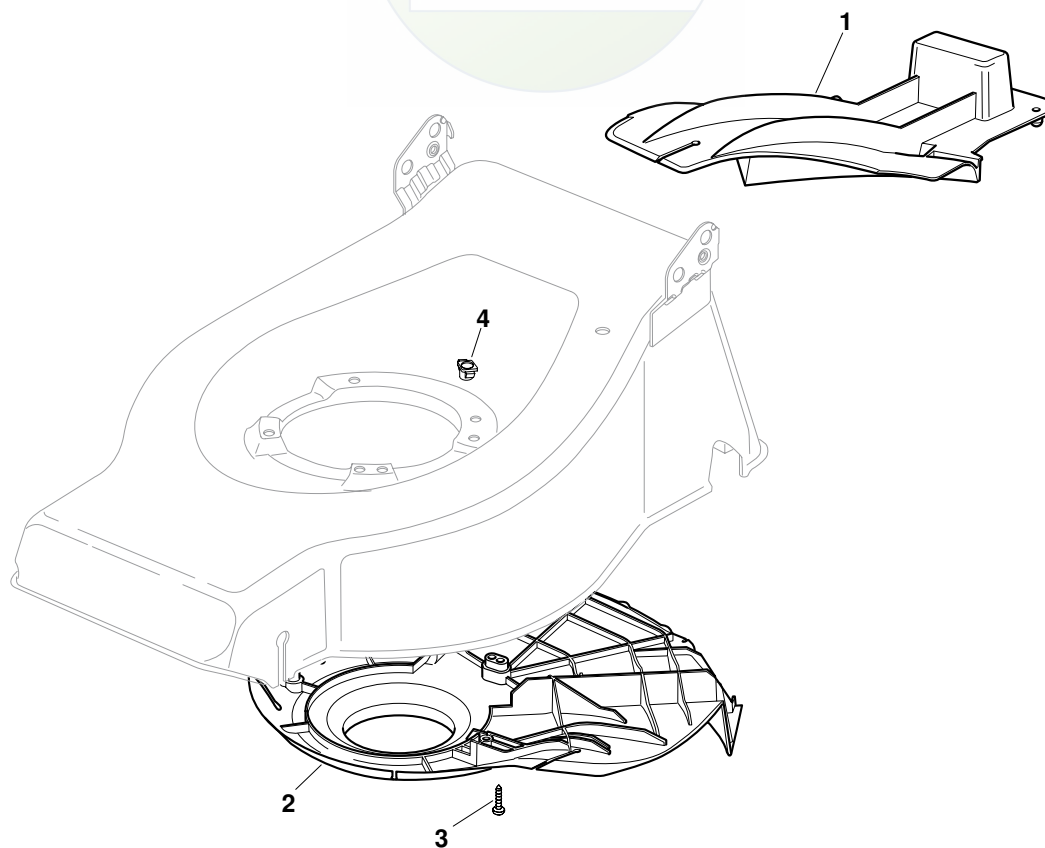
484

534

2009

29_003

1 / 1

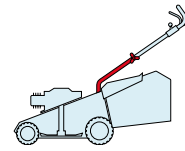


POS.	CODE	Q.TY	DESCRIZIONE	DESCRIPTION	DESCRIPTION	BESCHREIBUNG	REMARKS
1	22140223/0	1	Deflettore	Deflector	Deflecteur	Deflektor	484
1	22140222/0	1	Deflettore	Deflector	Deflecteur	Deflektor	534
2	22060199/0	1	Carter	Protection	Protection	Schutz	484
2	322060197/2	1	Carter	Protection	Protection	Schutz	534
3	12728530/0	3	Vite	Screw	Vis	Schraube	
4	22291150/0	1	Inserto In Gomma	Rubber Insert	Insert De	Gummi Einsatz	

SPL

484

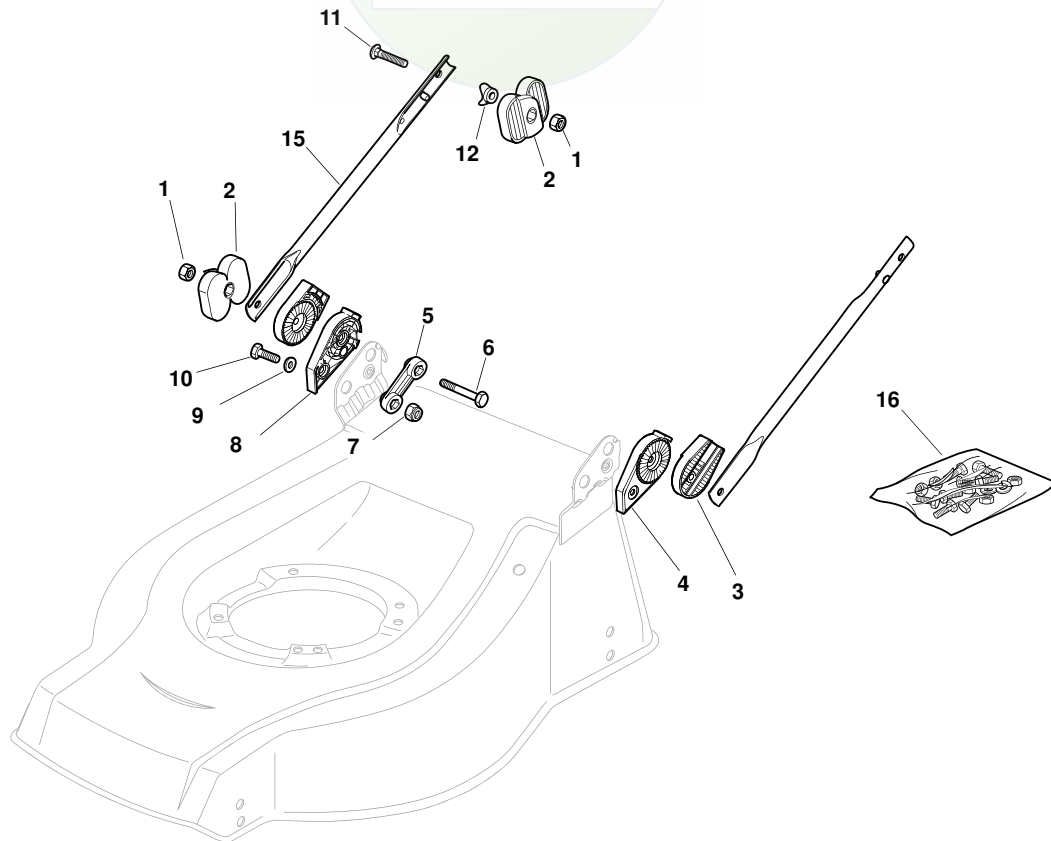
534



2009

29_004

1 / 1

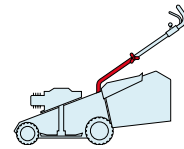


POS.	CODE	Q.TY	DESCRIZIONE	DESCRIPTION	DESCRIPTION	BESCHREIBUNG	REMARKS
1	12293202/0	4	Dado	Nut	Ecrou	Mutter	
2	22399803/0	4	Manopolina	Knob	Poignée	Griff	
3	22785081/1	2	Supporto Esterno	Support, External	Support Externe	Halter, Außere	
4	22785083/1	1	Supporto Interno	Support, L Internal	Support Interne G	Halter, Innere L	
5	22551575/0	2	Piastrina Interna	Plate, Inside	Plaquette Interne	Platte, Innere	
6	12691810/0	2	Vite	Screw	Vis	Schraube	
7	12155000/0	2	Dado	Nut	Ecrou	Mutter	
8	22785082/0	1	Supporto Interno	Support, R Internal	Support Interne D	Halter, Innere R	
9	12521350/0	2	Rosetta	Washer	Rondelle	Scheibe	
10	12793301/0	2	Vite	Screw	Vis	Schraube	
11	12819125/0	2	Vite	Screw	Vis	Schraube	
12	22680006/1	2	Rosetta	Washer	Rondelle	Scheibe	
15	81006532/0	2	Manico, Parte Inf	Handle, Lower Part	Mancheron, Partie Inférieure	Holm, Unterteil	
16	81008633/0	1	Dotazione Viteria	Outfit, Screws	Dotation Visserie	Satz, Schrauben	

SPL

484

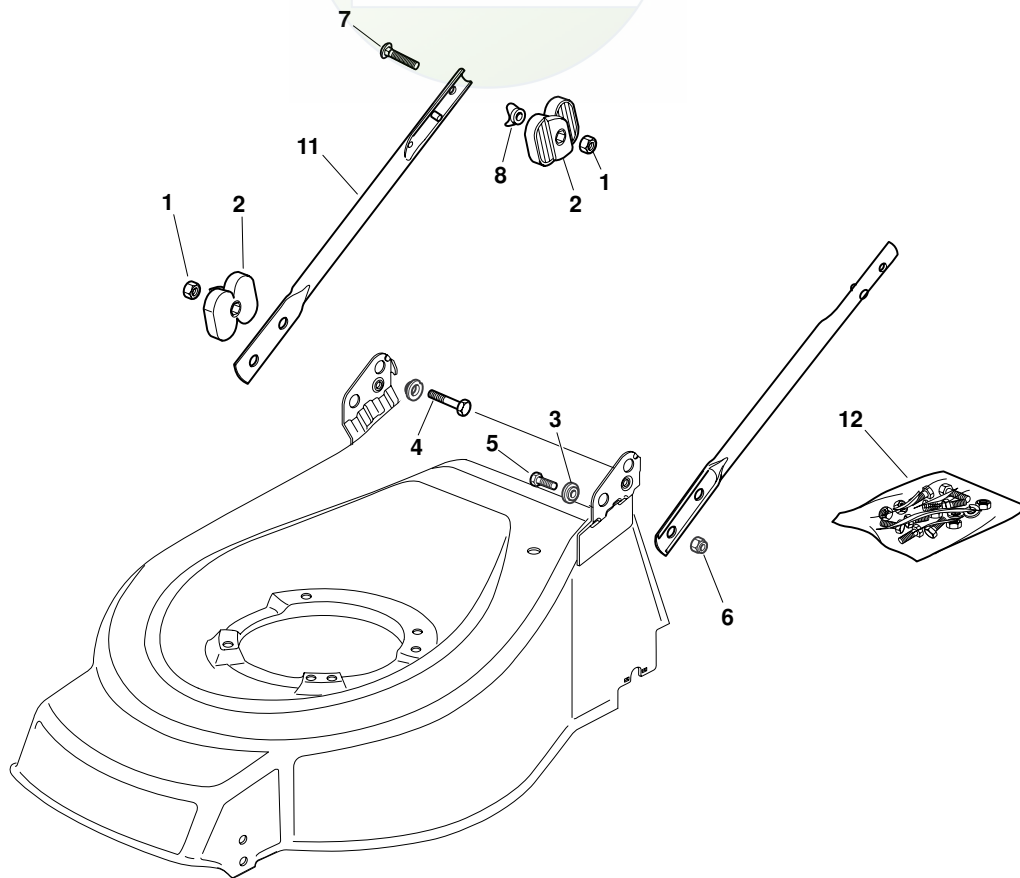
534



2009

29_005

1 / 1

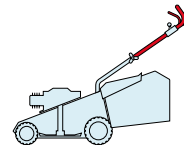


POS.	CODE	Q.TY	DESCRIZIONE	DESCRIPTION	DESCRIPTION	BESCHREIBUNG	REMARKS
1	12293202/0	4	Dado	Nut	Ecrou	Mutter	
2	22399803/0	4	Manopolina	Knob	Poignée	Griff	
3	22041955/0	4	Bussola	Bush	Douille	Buchse	
4	12793700/0	2	Vite	Screw	Vis	Schraube	
5	12792610/0	2	Vite	Screw	Vis	Schraube	
6	12155000/0	2	Dado	Nut	Ecrou	Mutter	
7	12819125/0	2	Vite	Screw	Vis	Schraube	
8	22680006/1	2	Rosetta	Washer	Rondelle	Scheibe	
11	81006973/0	2	Manico, Parte Inf	Handle, Lower Part	Mancheron, Partie Inférieure	Holm, Unterteil	
12	81008633/0	1	Dotazione Viteria	Outfit, Screws	Dotation Visserie	Satz, Schrauben	

SPL

484

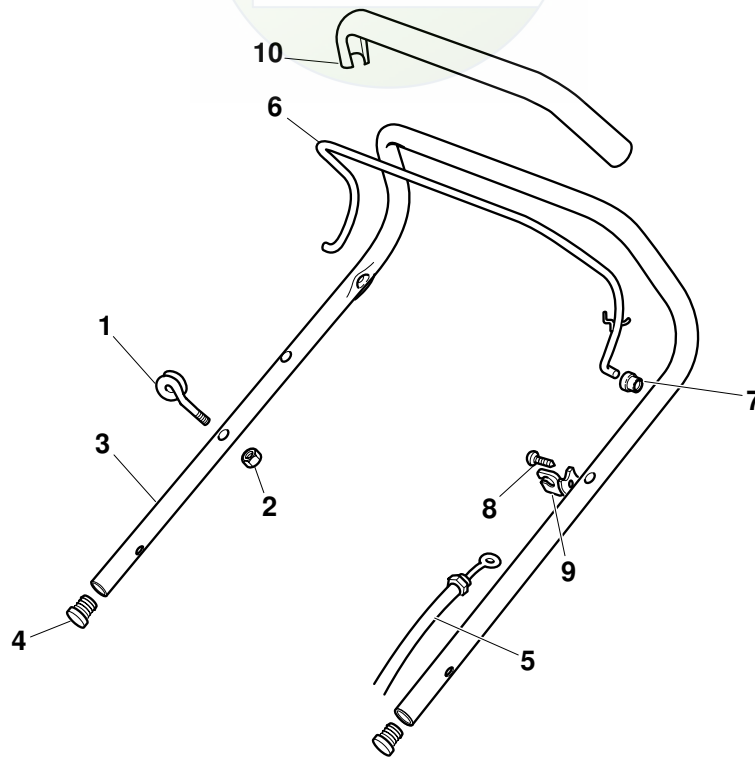
534



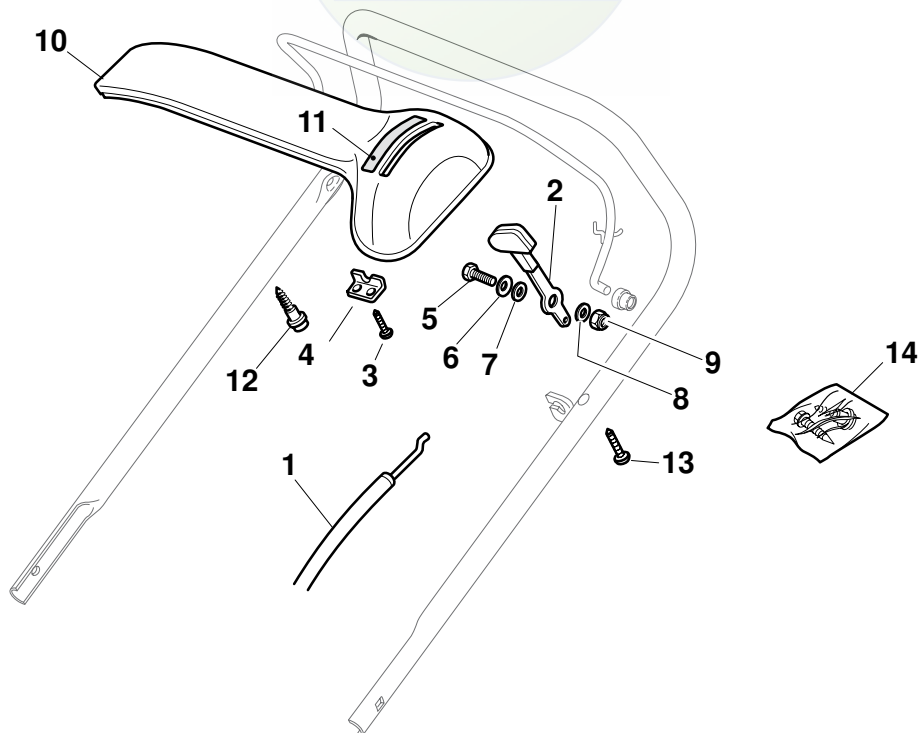
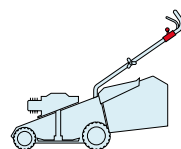
2009

29_006

1 / 1



POS.	CODE	Q.TY	DESCRIZIONE	DESCRIPTION	DESCRIPTION	BESCHREIBUNG	REMARKS
1	22430309/0	1	Molla Guida	Guide Spring	Ressort De Guide	Feder Führer	
2	12154330/0	1	Dado	Nut	Ecrou	Mutter	
3	81006977/1	1	Manico, Parte Sup	Handle, Upper Part	Mancheron, Partie Supérieure	Holm, Oberteil	
4	18566112/0	2	Puntale	Cap	Bouchon	Gummistopfen	
5	81000611/0	1	Cavo Freno Motore	Cable, Thread Engine Brake	Cable Frein Moteur	Kabel, Motorbremse	(Ggp 150cc)
5	81000625/0	1	Cavo Freno Motore	Cable, Thread Engine Brake	Cable Frein Moteur	Kabel, Motorbremse	484 (B&S 450-500 Series)
5	81000642/1	1	Cavo Freno Motore	Cable, Thread Engine Brake	Cable Frein Moteur	Kabel, Motorbremse	484 (B&S 625-675 Series)
5	81000757/0	1	Cavo Freno Motore	Cable, Thread Engine Brake	Cable Frein Moteur	Kabel, Motorbremse	484 (Ggp 140cc)
5	81000757/0	1	Cavo Freno Motore	Cable, Thread Engine Brake	Cable Frein Moteur	Kabel, Motorbremse	484 (Ggp 160cc)
5	81000757/0	1	Cavo Freno Motore	Cable, Thread Engine Brake	Cable Frein Moteur	Kabel, Motorbremse	484 (Ggp 196cc)
5	81000641/0	1	Cavo Freno Motore	Cable, Thread Engine Brake	Cable Frein Moteur	Kabel, Motorbremse	484 (Honda Gcv 135-160)
5	81000643/0	1	Cavo Freno Motore	Cable, Thread Engine Brake	Cable Frein Moteur	Kabel, Motorbremse	534 (B&S 500 Series)
5	81000756/0	1	Cavo Freno Motore	Cable, Thread Engine Brake	Cable Frein Moteur	Kabel, Motorbremse	534 (B&S 675 Series Es)
5	81000756/0	1	Cavo Freno Motore	Cable, Thread Engine Brake	Cable Frein Moteur	Kabel, Motorbremse	534 (B&S 625-675 Series)
5	181030009/0	1	Cavo Freno Motore	Cable, Thread Engine Brake	Cable Frein Moteur	Kabel, Motorbremse	534 (B&S 700 Series)
5	81000756/0	1	Cavo Freno Motore	Cable, Thread Engine Brake	Cable Frein Moteur	Kabel, Motorbremse	534 (Ggp 140cc)
5	81000756/0	1	Cavo Freno Motore	Cable, Thread Engine Brake	Cable Frein Moteur	Kabel, Motorbremse	534 (Ggp 160cc)
5	81000756/0	1	Cavo Freno Motore	Cable, Thread Engine Brake	Cable Frein Moteur	Kabel, Motorbremse	534 (Ggp 196cc)
5	81000640/0	1	Cavo Freno Motore	Cable, Thread Engine Brake	Cable Frein Moteur	Kabel, Motorbremse	534 (Honda Gcv 135-160-190)
6	81003291/3	1	Leva Freno Motore	Lever, Engine Brake	Levier Frein Moteur	Hebel, Motorbremse	
7	22041966/0	2	Bussola	Bush	Douille	Buchse	
8	12728518/0	1	Vite	Screw	Vis	Schraube	
9	22806612/0	1	Supporto	Support	Support	Halter	
10	22291050/0	1	Impugnatura Manico Nera	Handgrip Black	Poignée Noire	Handgriff Schwarz	

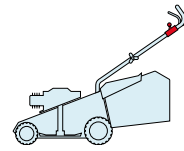


POS.	CODE	Q.TY	DESCRIZIONE	DESCRIPTION	DESCRIPTION	BESCHREIBUNG	REMARKS
1	81007160/0	1	Cavo Acceleratore	Throttle Cable	Cable, Accelérateur	Gashebel Kabel	
2	81007280/2	1	Leva, Acceleratore	Lever, Throttle	Levier,	Hebel, Beschleuniger	(B&S 625-675-700 Series - Honda - Ggp 140-160-196 cc)
2	81007221/0	1	Leva, Acceleratore	Lever, Throttle	Levier,	Hebel, Beschleuniger	(B&S 450-500 Series - Ggp 150 cc)
3	12735105/0	2	Vite	Screw	Vis	Schraube	
4	22981467/0	1	Piastrina	Plate	Plaquette	Platte	
5	12791500/0	1	Vite	Screw	Vis	Schraube	
6	12530060/0	1	Rosetta Elastica	Elastic Washer	Rondelle Elastique	Elastische Scheibe	
7	12523040/0	1	Rosetta	Washer	Rondelle	Scheibe	
8	12523040/0	1	Rosetta	Washer	Rondelle	Scheibe	
9	12154510/0	1	Dado	Nut	Ecrou	Mutter	
10	22120152/0	1	Cruscotto Giallo	Dash Board Yellow	Console Jaune	Konsole Gelbe	
10	22120154/0	1	Cruscotto Rosso	Dash Board Red	Console Rouge	Konsole Rote	
10	22120158/0	1	Cruscotto Nero	Dash Board Black	Console Noire	Konsole Schwarze	
11	114356744/1	1	Etichetta	Label	Etiquette	Etikette	(B&S)
11	114356906/1	1	Etichetta	Label	Etiquette	Etikette	(B&S 700 series DOV)
11	114356743/1	1	Etichetta	Label	Etiquette	Etikette	(GGP)
11	114356743/1	1	Etichetta	Label	Etiquette	Etikette	(Honda)
11	114357646/1	1	Etichetta	Label	Etiquette	Etikette	(Honda GCV 160-190 Autochoke)
12	22943006/0	1	Vite	Screw	Vis	Schraube	
13	12728460/0	1	Vite	Screw	Vis	Schraube	
14	81008609/0	1	Dotazione Viteria Cruscotto	Outfit, Dash-Board Screws	Dotation Visserie Console	Satz, Konsole Schrauben	

SPL

484

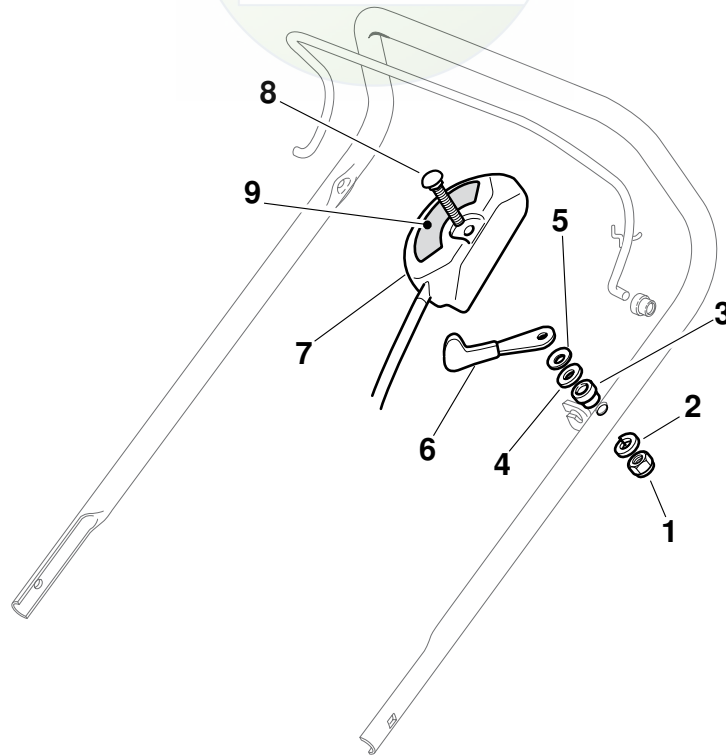
534



2009

29_008

1 / 1

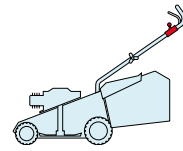


POS.	CODE	Q.TY	DESCRIZIONE	DESCRIPTION	DESCRIPTION	BESCHREIBUNG	REMARKS
1	12291000/0	1	Dado	Nut	Ecrou	Mutter	
2	12581500/0	1	Grower	Grower	Grower	Federring	
3	22171005/0	1	Distanziale	Spacer	Entretoise	Distanzring	
4	12521360/0	1	Rosetta	Washer	Rondelle	Scheibe	
5	12508100/0	1	Rosetta Elastica	Spring Washer	Rondelle Elastique	Elastische Scheibe	
6	81007279/1	1	Leva, Acceleratore	Lever, Throttle	Levier, Accelérateur	Hebel, Beshleuniger	(B&S 625-675-700 Series - Honda - Ggp 140-160-196 cc)
6	81007220/0	1	Leva, Acceleratore	Lever, Throttle	Levier, Accelérateur	Hebel, Beshleuniger	(B&S 450-500 Series - Ggp 150 cc)
7	81007080/0	1	Cavo Acceleratore	Throttle Cable	Cable, Accelérateur	Gashebel Kabel	
8	12815000/0	1	Vite	Screw	Vis	Schraube	
9	14356703/0	1	Etichetta	Label	Etiquette	Etikette	(B&S)
9	114356905/0	1	Etichetta	Label	Etiquette	Etikette	(B&S 700 series DOV)
9	14356702/0	1	Etichetta	Label	Etiquette	Etikette	(GGP)
9	114364264/0	1	Etichetta	Label	Etiquette	Etikette	AVS (GGP 160-196)
9	14356702/0	1	Etichetta	Label	Etiquette	Etikette	(Honda)
9	114356905/0	1	Etichetta	Label	Etiquette	Etikette	(Honda GCV 160-190 Autochoke)

SPL

484

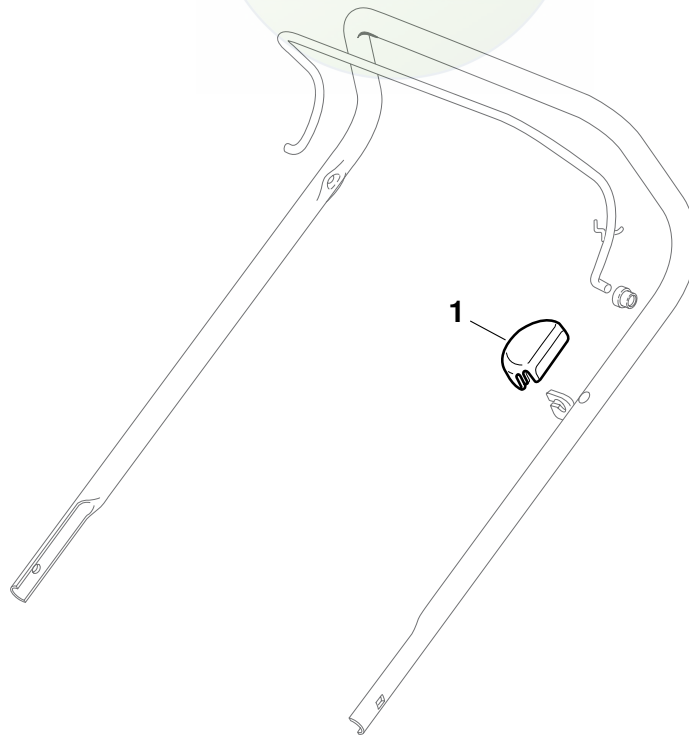
534



2009

29_009

1 / 1

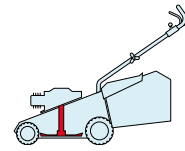


POS.	CODE	Q.TY	DESCRIZIONE	DESCRIPTION	DESCRIPTION	BESCHREIBUNG	REMARKS
1	22601000/0	1	Protezione	Protection	Protection	Schutz	

SPL

484

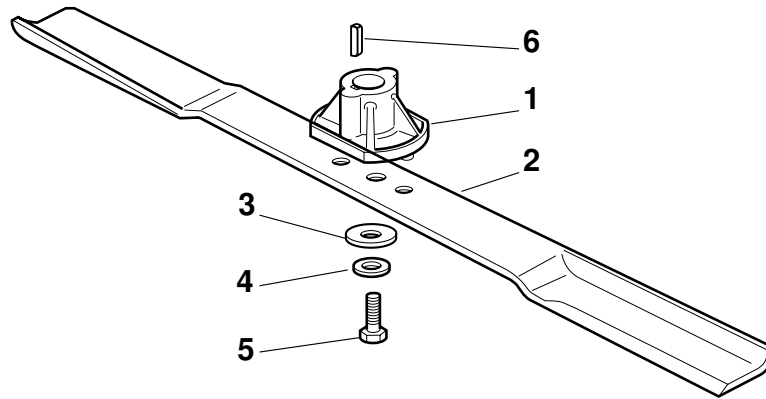
534



2009

29_010

1 / 1

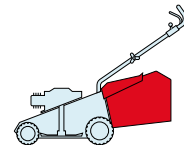


POS.	CODE	Q.TY	DESCRIZIONE	DESCRIPTION	DESCRIPTION	BESCHREIBUNG	REMARKS
1	22463012/2	1	Mozzo, Albero Motore Ø 22.2	Hub, Crankshaft Ø 22.2	Moyeu, Arbre Moteur Ø 22.2	Halter, Motorwelle Ø 22.2	
1	122463020/1	1	Mozzo, Albero Motore Ø 25	Hub, Crankshaft Ø 25	Moyeu, Arbre Moteur Ø 25	Halter, Motorwelle Ø 25	
2	81004341/3	1	Coltello Standard	Blade Standard	Lame Standard	Messer Standard	434
2	81004396/0	1	Coltello Alettato	Blade Winged	Lame Ailettée	Messer Flügel	434
2	81004346/3	1	Coltello Standard	Blade Standard	Lame Standard	Messer Standard	484
2	81004397/0	1	Coltello Alettato	Blade Winged	Lame Ailettée	Messer Flügel	484
2	81004381/1	1	Coltello Standard	Blade Standard	Lame Standard	Messer Standard	534
2	81004398/0	1	Coltello Alettato	Blade Winged	Lame Ailettée	Messer Flügel	534
3	22160400/0	1	Disco Elastico	Elastic Washer	Rondelle Elastique	Elastischescheibe	
4	12523080/0	1	Rosetta	Washer	Rondelle	Scheibe	
5	12735698/0	1	Vite	Screw	Vis	Schraube	
6	12139100/0	1	Linguetta, Albero Motore Ø 22.2	Feather, Crankshaft Ø 22.2	Clavette, Arbre Moteur Ø 22.2	Keil, Motorwelle Ø 22.2	
6	12139150/0	1	Linguetta, Albero Motore Ø 25	Feather, Crankshaft Ø 25	Clavette, Arbre Moteur Ø 25	Keil, Motorwelle Ø 25	

SPL

484

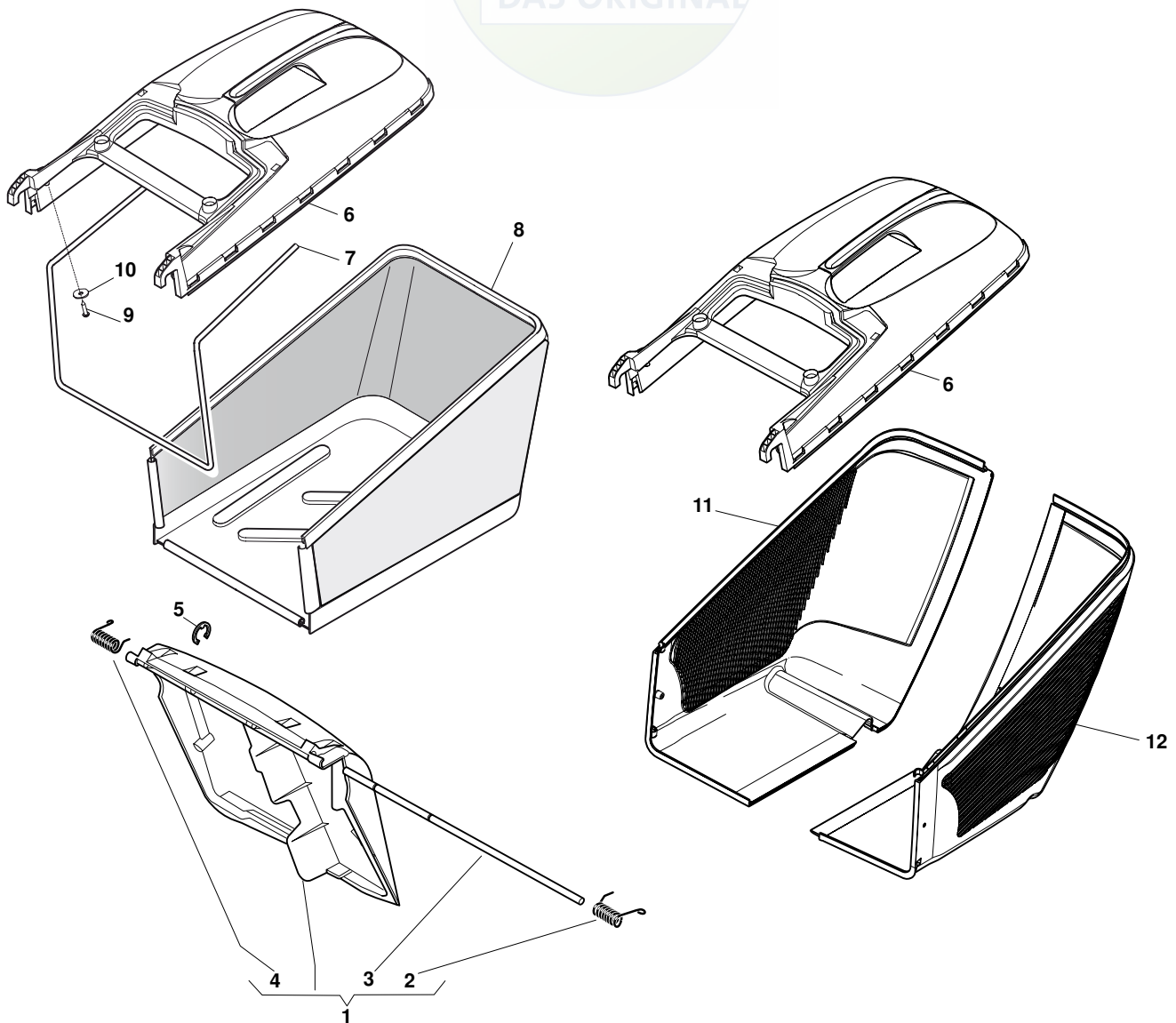
534



2009

29_011

1 / 1



POS.	CODE	Q.TY	DESCRIZIONE	DESCRIPTION	DESCRIPTION	BESCHREIBUNG	REMARKS
1	381008021/1	1	Parasassi	Stone-Guard	Pare-Pierres	Prallblech	
2	22450420/1	1	Molla Sx	L Spring	Ressort G	Linke Feder	
3	22517906/1	1	Perno	Pin	Pivot	Bolzen	
4	22450410/1	1	Molla Dx	R Spring	Ressort D	Rechte Feder	
5	12000930/0	1	Anello Elastico	Snap Ring	Anneau Ressort	Sprengring	
6	22486101/0	1	Sacco, Parte Sup	Grass-Box, Upper	Sac, Partie	Korb, Oberteil	
7	22608525/0	1	Rinforzo Inf	Stiffening Lower	Réinforcement Inf	Verstärkung	
8	81002211/0	1	Sacco, Tela	Box, Fabric	Sac, Toile	Sack, Tuck	
9	12728680/0	2	Vite	Screw	Vis	Schraube	
10	12523050/0	2	Rosetta	Washer	Rondelle	Scheibe	
11	322486150/1	1	Sacco, Parte Inf Dx	Grass-Box, R Lower	Sac, Partie Inferieure D	Korb, R Unterteil	
12	322486151/1	1	Sacco, Parte Inf Sx	Grass-Box, L Lower	Sac, Partie Inferieure G	Korb, L Unterteil	